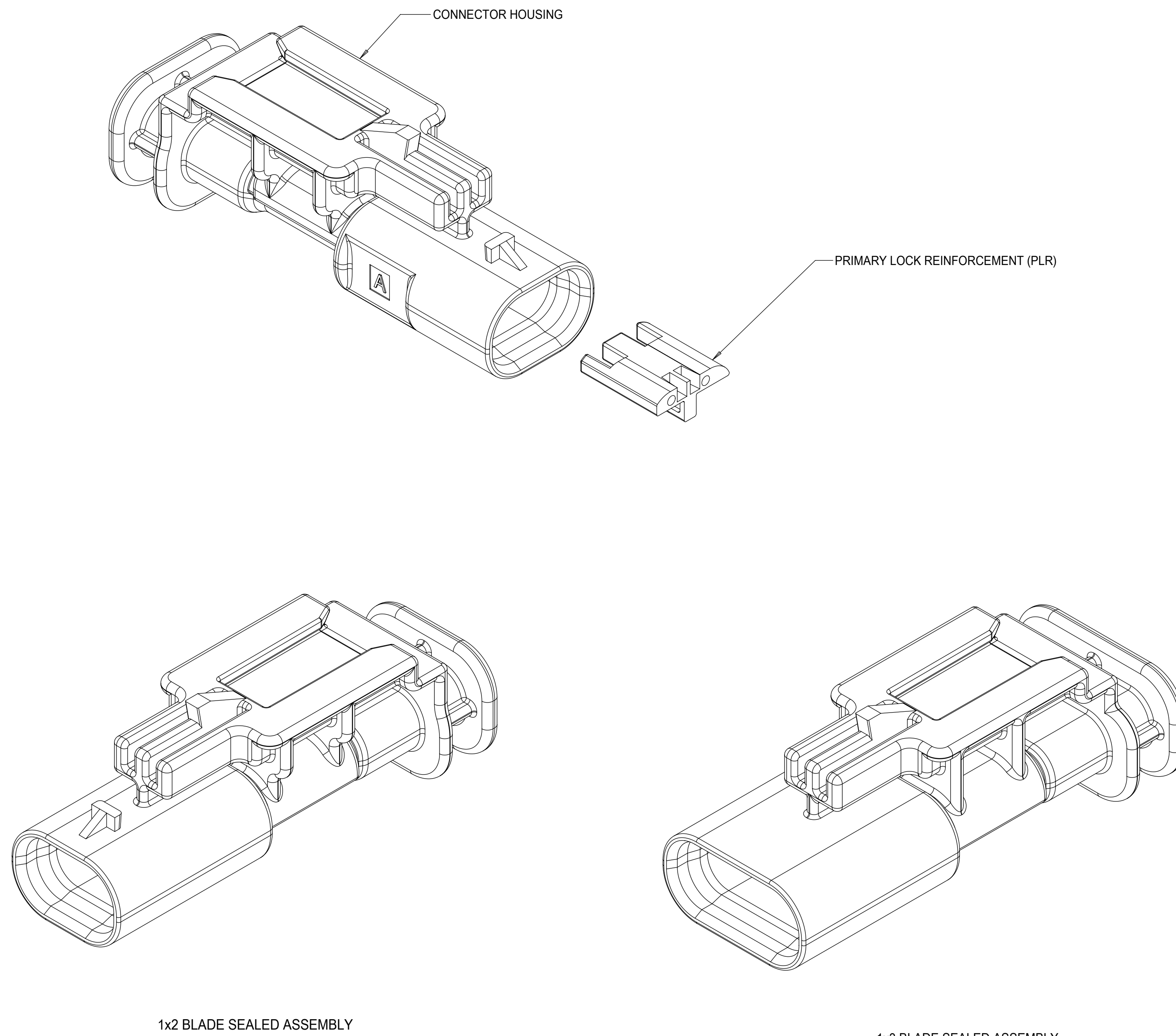


TABLE OF CONTENTS

SHEET NO.	SHEET DESCRIPTION
1	NOTES
2	1x2 BLADE SEALED ASSEMBLY KEYING CONFIGURATIONS
3	1x3 BLADE SEALED ASSEMBLY KEYING CONFIGURATIONS
4	CLIP-SLOT CONFIGURATIONS
5	BLADE SEALED ASSEMBLY
6	CONNECTION SYSTEM PACKAGING
7	WIRE DRESS COVER INTERFACE OPTIONS
8	1x2 BLADE SEALED ASSEMBLY BOM INTERFACE OPTION 1
9	1x2 BLADE SEALED ASSEMBLY BOM INTERFACE OPTION 2
10	1x3 BLADE SEALED ASSEMBLY BOM INTERFACE OPTION 1
11	1x3 BLADE SEALED ASSEMBLY BOM INTERFACE OPTION 2



NOTES: VALID UNLESS OTHERWISE SPECIFIED

1. GENERAL:

- a. APPLICATION SPECIFICATION SEE: AS-34900-0001  
CONTAINS: PRODUCT INTRODUCTION, PRODUCT SUMMARY, CONNECTOR ASSEMBLY, PACKAGING INFORMATION, CONNECTOR MATING, SERVICE INSTRUCTIONS, ELECTRICAL CONTINUITY CHECKING, CRIMPING, AND TROUBLESHOOTING.
- b. PRODUCT SPECIFICATION SEE: PS-34900-0001  
CONTAINS: PRODUCT INTRODUCTION, PRODUCT SUMMARY, RATINGS (CURRENT, TEMPERATURE, SEALING, AND FLAMMABILITY), AND PRODUCT VALIDATION.
- c. PACKAGING SPECIFICATION PER MOLEX DRAWING: PK-31301-898
- d. PARTS MUST BE IN COMPLIANCE TO MOLEX CHEMICAL SUBSTANCES FOR PRODUCTS AND PACKAGING SPECIFICATION: ES-40000-5016
- e. DATA MUST BE SUBMITTED UNDER THE MOLEX PART NUMBER TO IMDS (COMPANY ID#13255)

2. DESIGN - MATERIALS:

- a. SEE BOM TABLE

3. DESIGN - GEOMETRY:

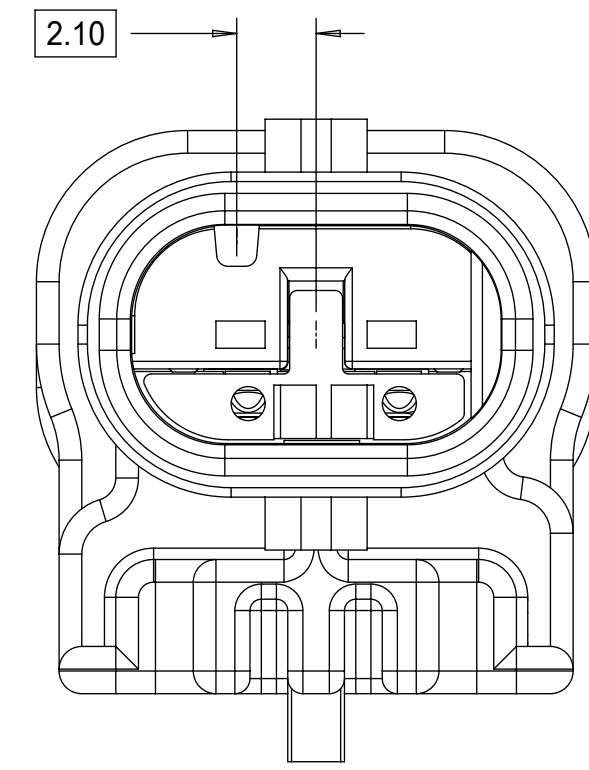
- a. THIS IS A 100% CAD GENERATED PART. THE CAD MATHEMATICAL DATA IS THE MASTER FOR THIS PART. FOR DIMENSIONAL OR ANY INFORMATION NOT SHOWN ON THIS DRAWING, ANALYZE THE CAD MODEL.
- b. GEOMETRIC DIMENSIONS AND TOLERANCES PER ASME Y14.5M - 1994
- c. EDGES AND UNDIMENSIONED DETAILS PER ISO13715
- d. CORNERS SHOWN AS SHARP TO BE R 0.2 MAX.
- e. LETTERING SHALL BE 0.15 MAX RAISED IN 0.25 MAX RECESS PAD. THIS INCLUDES RECYCLING CODE, CAVITY ID, VENDOR IDENTIFICATION,
- f. VISUAL DEFECTS SHALL MEET COSMETIC STANDARD PS-45499-002 (Class B)
- g. LASER MARKING:
  - 1. PART NUMBER
  - 2. DAY OF THE YEAR
  - 3. SHIFT
  - 4. YEAR

INSPECTION NUMBER LOG  
LAST NUMBER USED:  
ADDED:  
REMOVED:

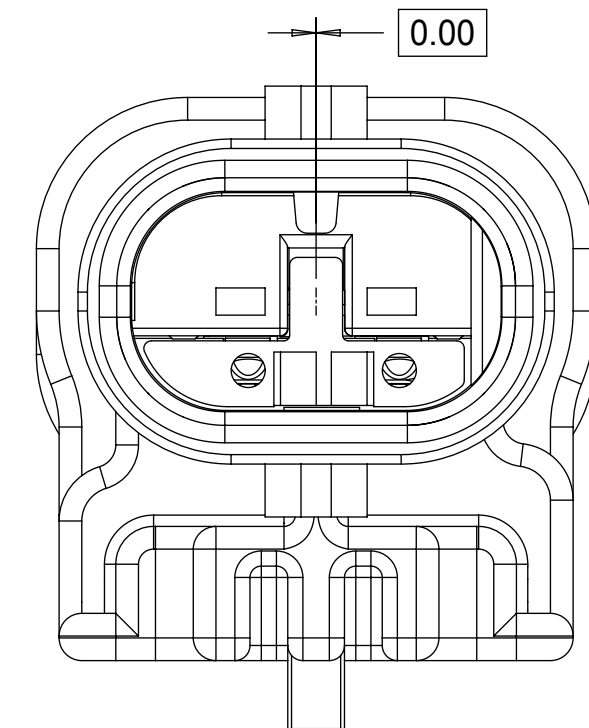
A15	- NX-REMASTERING FROM MODEL MANAGER - 1x2 KEY C MOVED TO SALEABLE - 1X3 WDC INTERFACE 2 PART NUMBERS UPDATED TO MATCH E-DRAWING
A14	CORRECTED CHARTED DIMENSION 3 FOR 1X3 11MM CLIPSLOT
A13	1x3 KEY A&B SALEABLE (NON 40G)
A12	1X2 KEYS A&B W/ WDC SALEABLE
A11	CORRECTED REVISION LOG
A10	1X2,1X3 WIRE DRESS FEATURES OK TO TOOL
A9	1X2,1X3 PART # STATUS UPDATED
A8	1X2 40G CLIP-SLOT OK TO TOOL
A7	1X2,1X3 PART # UPDATED TO "TOOLED BUT NOT VALIDATED"
A6	ADDED 40G CLIP-SLOT PART NUMBERS
A5	BOM CORRECTIONS AND UPDATES
A4	BOM CORRECTIONS AND UPDATES
A3	1x2, 1x3 NON-SIR PART# OK TO TOOL
A2	ADDED 1x3 11mm CLIP-SLOT PART #
A	ADDED BLACK PART# AND MINOR BOM UPDATES
6	ADDED CLIP SLOT CONFIGURATIONS
5	1X3 BOM UPDATED
4	1X3 INLINE ASSY VIEWS ADDED
3	MINOR BOM CORRECTIONS
2	UPDATED PACKAGING DIMENSIONS
1	INITIAL RELEASE
REV	DESCRIPTION

QUALITY SYMBOLS □ = 0 □ = 0 □ = 0 ▽ = 0 □ = 0 □ = 0 □ = 0 □ = 0 □ = 0	THIS DRAWING CONTAINS INFORMATION THAT IS PROPRIETARY TO MOLEX ELECTRONIC TECHNOLOGIES, LLC AND SHOULD NOT BE USED WITHOUT WRITTEN PERMISSION		GENERAL TOLERANCES (UNLESS SPECIFIED) DIMENSION UNITS: MM SCALE: 4:1		
	DRWN BY: SKRAJENDRANA DATE: 2013/11/06	CHKD BY:	APPR BY:	DATE:	
	EC NO: 117908 DRWN: VYARAPPA CHKD: KDEKOSKI REV: APPR:	2017/04/11 2017/06/22	DRAFT WHERE APPLICABLE MUST REMAIN WITHIN DIMENSIONS	D DIMENSION UNITS: D THIRD ANGLE PROJECTION	
	A15	34899	SEE BOM	GENERAL MARKET	
RELEASE STATUS: P1 RELEASE DATE: 22.06.2017 19:25:24	DOCUMENT NUMBER: SD-34899-2001 DOC TYPE: PSD DOC PART: 001 SHEET NUMBER: 1 OF 11				

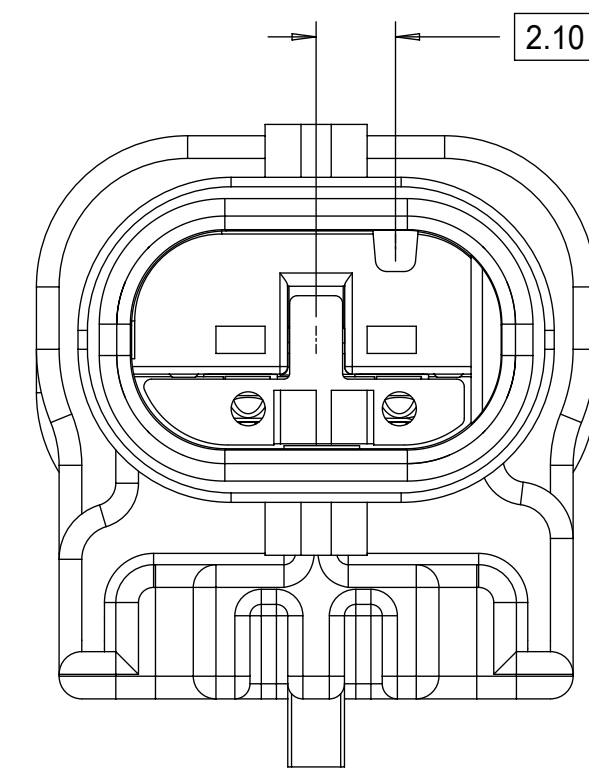
1x2 BLADE SEALED ASSEMBLY KEYING CONFIGURATIONS. FOR PART NUMBERS REFER TO BOM SHEET.



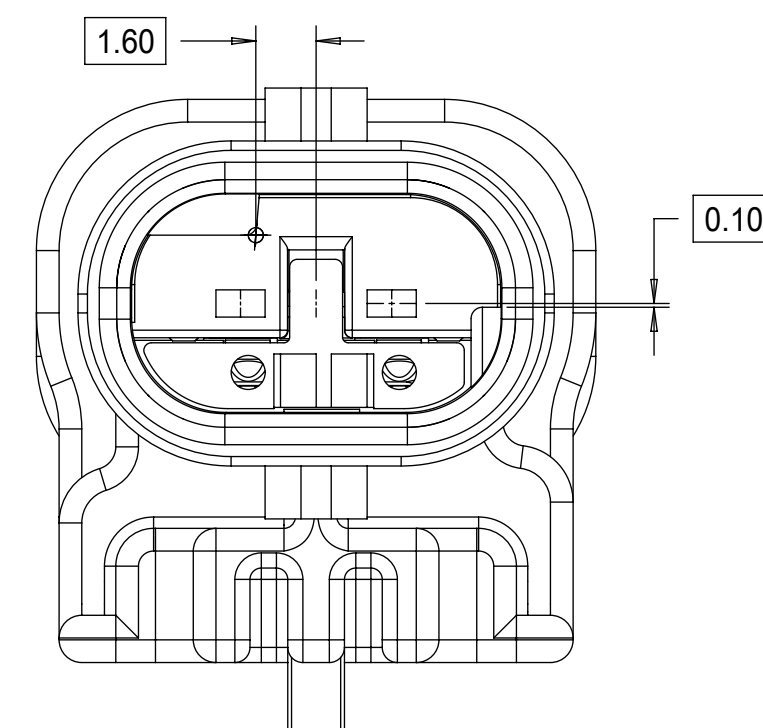
KEYING OPTION A



KEYING OPTION B



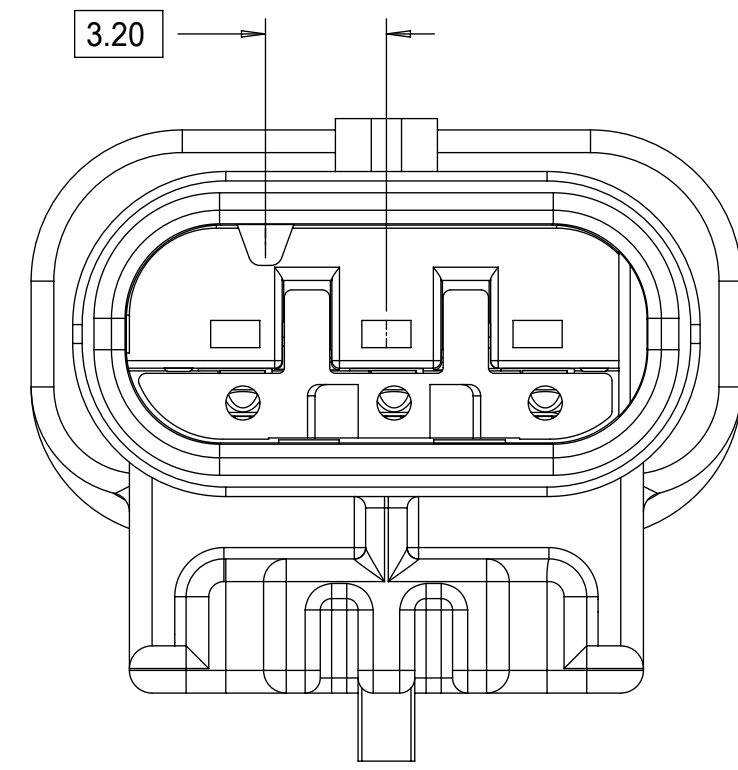
KEYING OPTION C



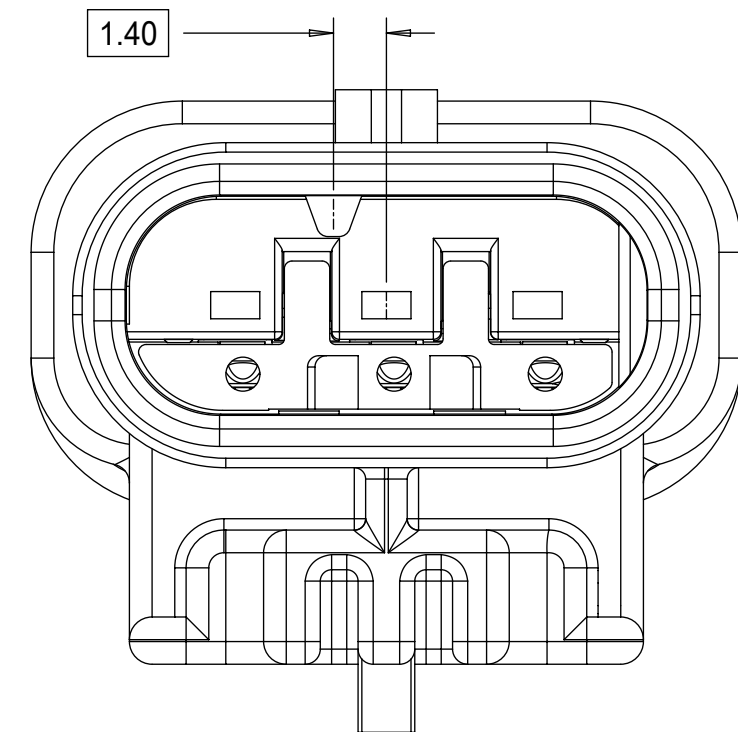
KEYING OPTION E

THIS DRAWING CONTAINS INFORMATION THAT IS PROPRIETARY TO MOLEX ELECTRONIC TECHNOLOGIES, LLC AND SHOULD NOT BE USED WITHOUT WRITTEN PERMISSION											
<b>QUALITY SYMBOLS</b> ▽ = 0 ▽ = 0 ▽ = 0 ▽ = 0 ▽ = 0 ▽ = 0 ▽ = 0 ▽ = 0 ▽ = 0 ▽ = 0 ▽ = 0	2017/04/11	2017/06/22	GENERAL TOLERANCES (UNLESS SPECIFIED)		DIMENSION UNITS	SCALE					
	DRWN BY: VYARAPPA	CHKD: KDEKOSKI	ANGULAR TOL ± 3.0 °		MM	5:1					
EC NO: 117908			4 PLACES ±		DRWN BY	DATE	1.2MM 1X2, 1X3 BLADE SEALED ASSEMBLY CABLE SEAL				
DRWN: VYARAPPA			3 PLACES ±		SKRAJENDRANA	2013/11/06					
REV: APPR: KDEKOSKI			2 PLACES ± 0.1		CHKD BY	DATE	PRODUCT CUSTOMER DRAWING				
			1 PLACE ± 0.2		APPR BY	DATE					
			0 PLACES ± 0.5		DRAWING SIZE		SERIES: 34899 MATERIAL NUMBER: SEE BOM CUSTOMER: GENERAL MARKET				
			DRAFT WHERE APPLICABLE MUST REMAIN WITHIN DIMENSIONS		D	THIRD ANGLE PROJECTION					
A15			DOCUMENT NUMBER: SD-34899-2001		DOC TYPE: PSD		DOC PART: 001		SHEET NUMBER: 2 OF 11		

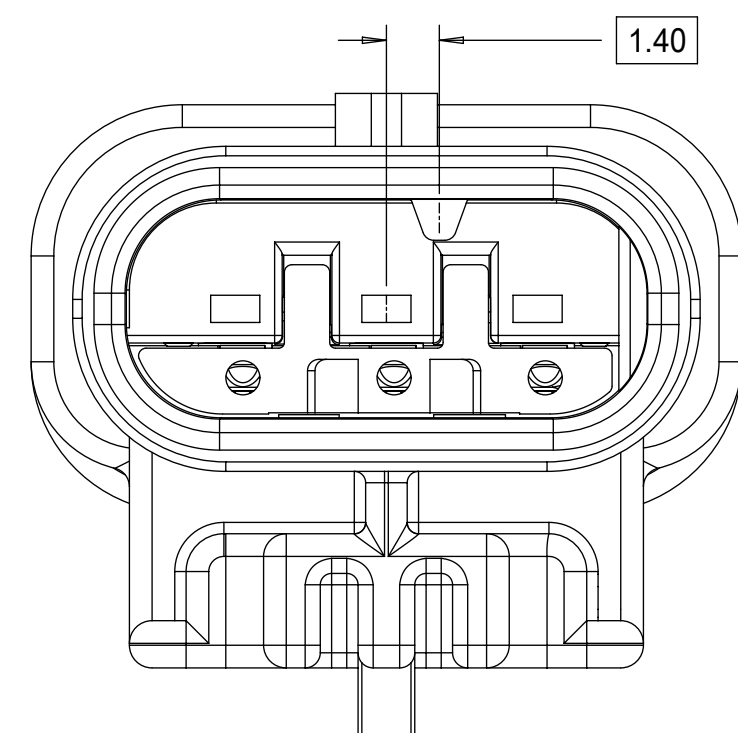
1x3 BLADE SEALED ASSEMBLY KEYING CONFIGURATIONS. FOR PART NUMBERS REFER TO BOM SHEET.



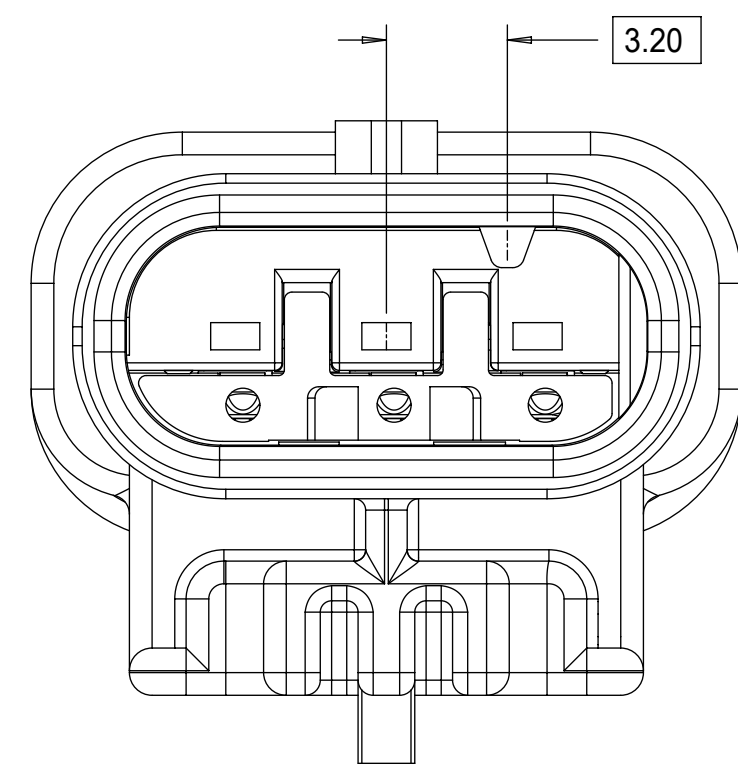
KEYING OPTION A



KEYING OPTION B



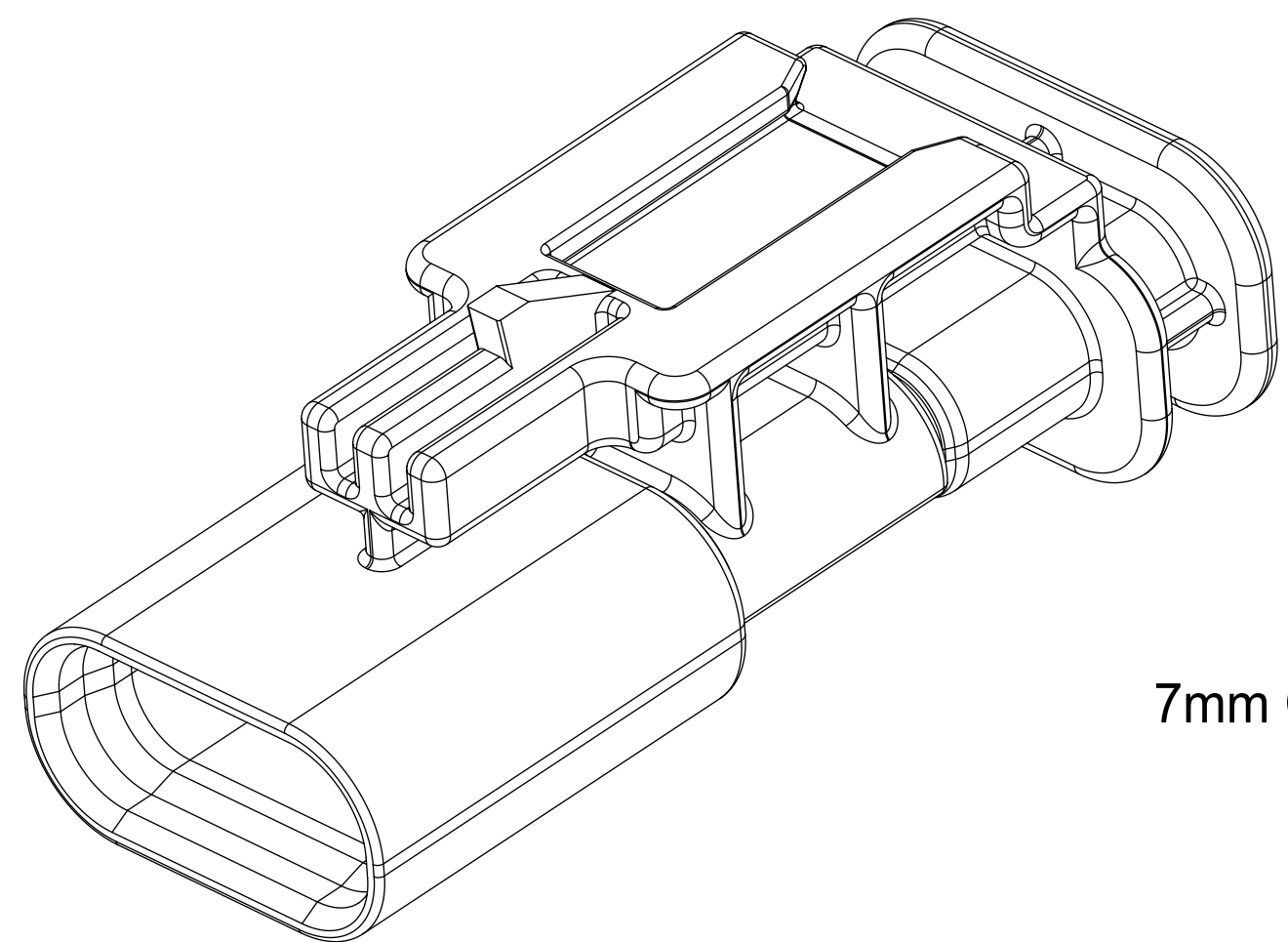
KEYING OPTION C



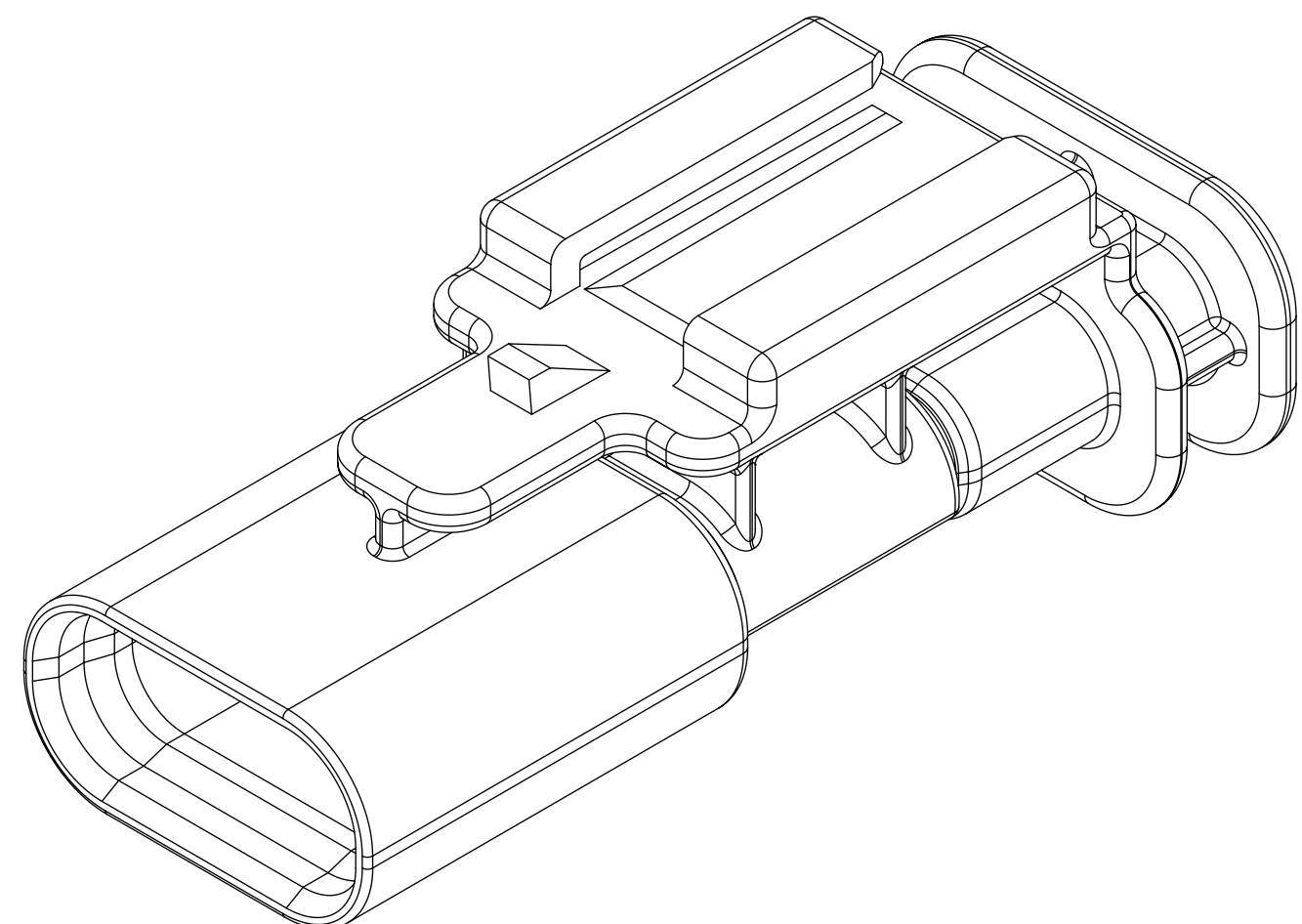
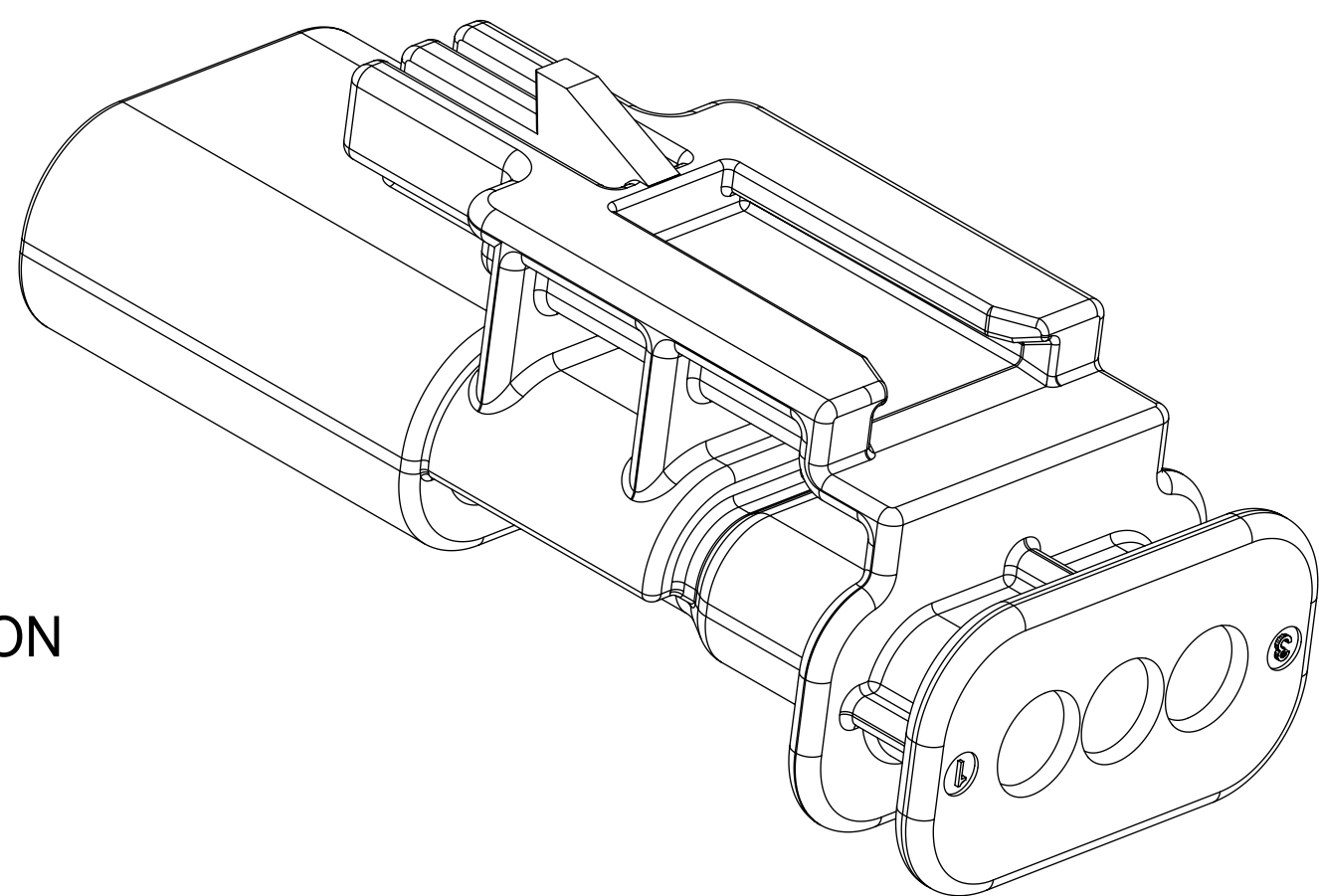
KEYING OPTION D

<b>QUALITY SYMBOLS</b> □ = 0 ▽ = 0 ▽ = 0 ▽ = 0 ▽ = 0 ▽ = 0 ▽ = 0 ▽ = 0 ▽ = 0 ▽ = 0 ▽ = 0	THIS DRAWING CONTAINS INFORMATION THAT IS PROPRIETARY TO MOLEX ELECTRONIC TECHNOLOGIES, LLC AND SHOULD NOT BE USED WITHOUT WRITTEN PERMISSION												
	2017/04/11	2017/06/22	GENERAL TOLERANCES (UNLESS SPECIFIED)		DIMENSION UNITS	SCALE							
					MM	5:1							
	DRWN BY	DATE	ANGULAR TOL ± 3.0 °		SKRAJENDRANA	2013/11/06	1.2MM 1X2, 1X3 BLADE SEALED ASSEMBLY CABLE SEAL  PRODUCT CUSTOMER DRAWING						
	4 PLACES ±		3 PLACES ±		CHKD BY	DATE							
	2 PLACES ± 0.1		1 PLACE ± 0.2		APPR BY	DATE	SERIES: 34899 MATERIAL NUMBER: SEE BOM CUSTOMER: GENERAL MARKET						
	0 PLACES ± 0.5		DRAFT WHERE APPLICABLE MUST REMAIN WITHIN DIMENSIONS		DRAWING SIZE	THIRD ANGLE PROJECTION							
	EC NO: 117908		DRWN: VYARAPPA		CHKD:		APPR: KDEKOSKI		DOCUMENT NUMBER: SD-34899-2001		DOC TYPE: PSD	DOC PART: 001	SHEET NUMBER: 3 OF 11
	REV: A15												

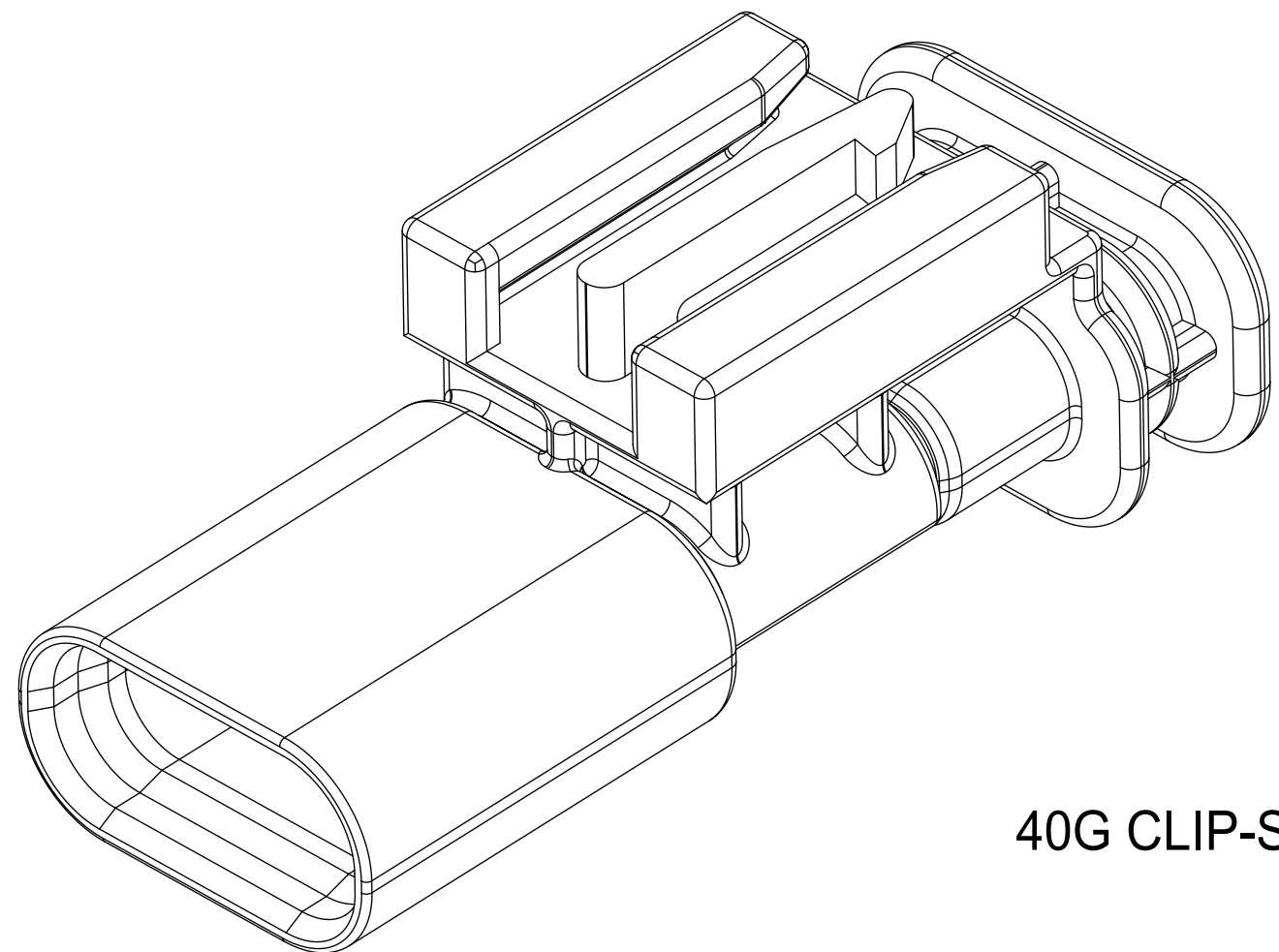
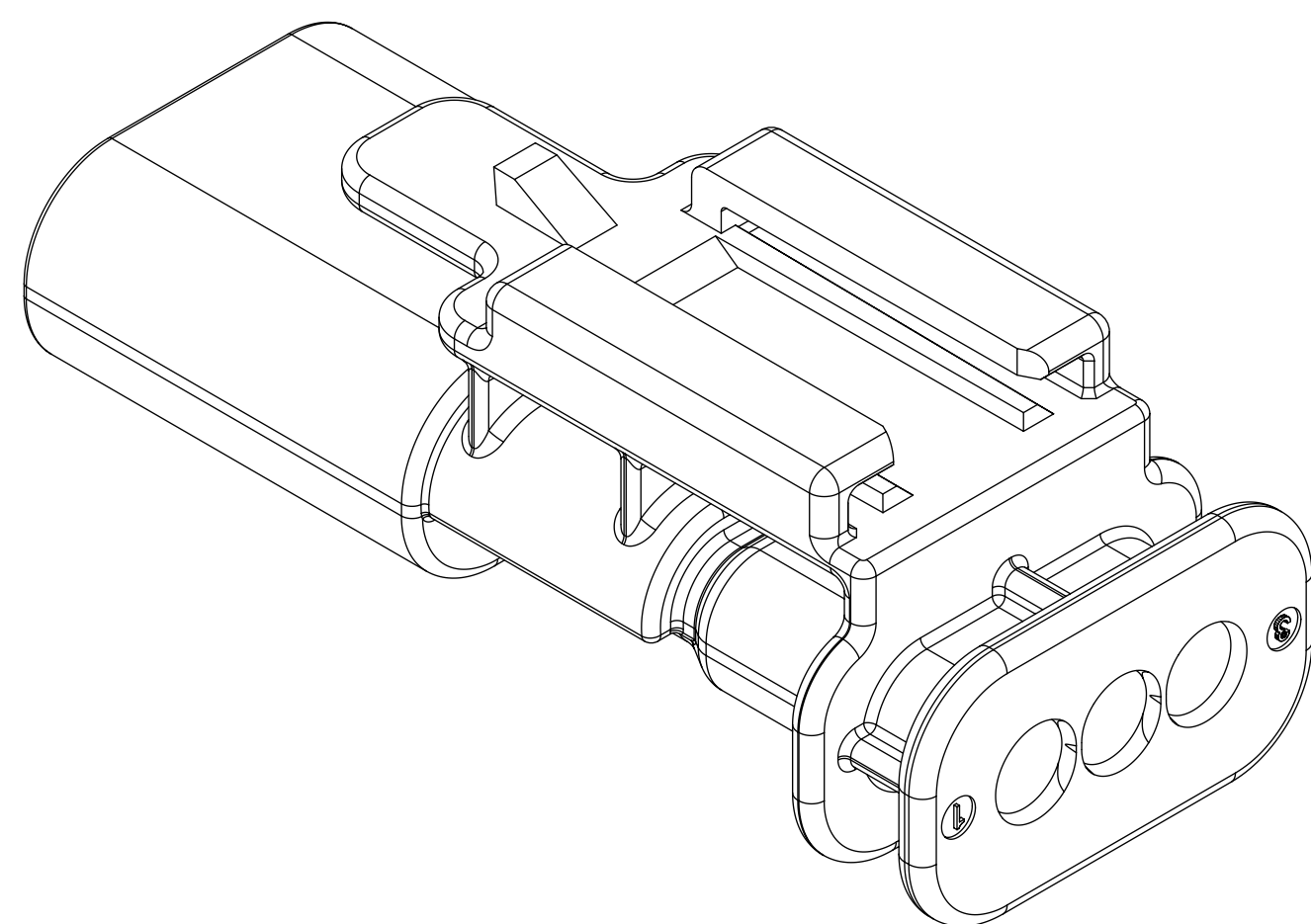
CLIP-SLOT CONFIGURATIONS. FOR PART NUMBERS REFER TO BOM SHEET.



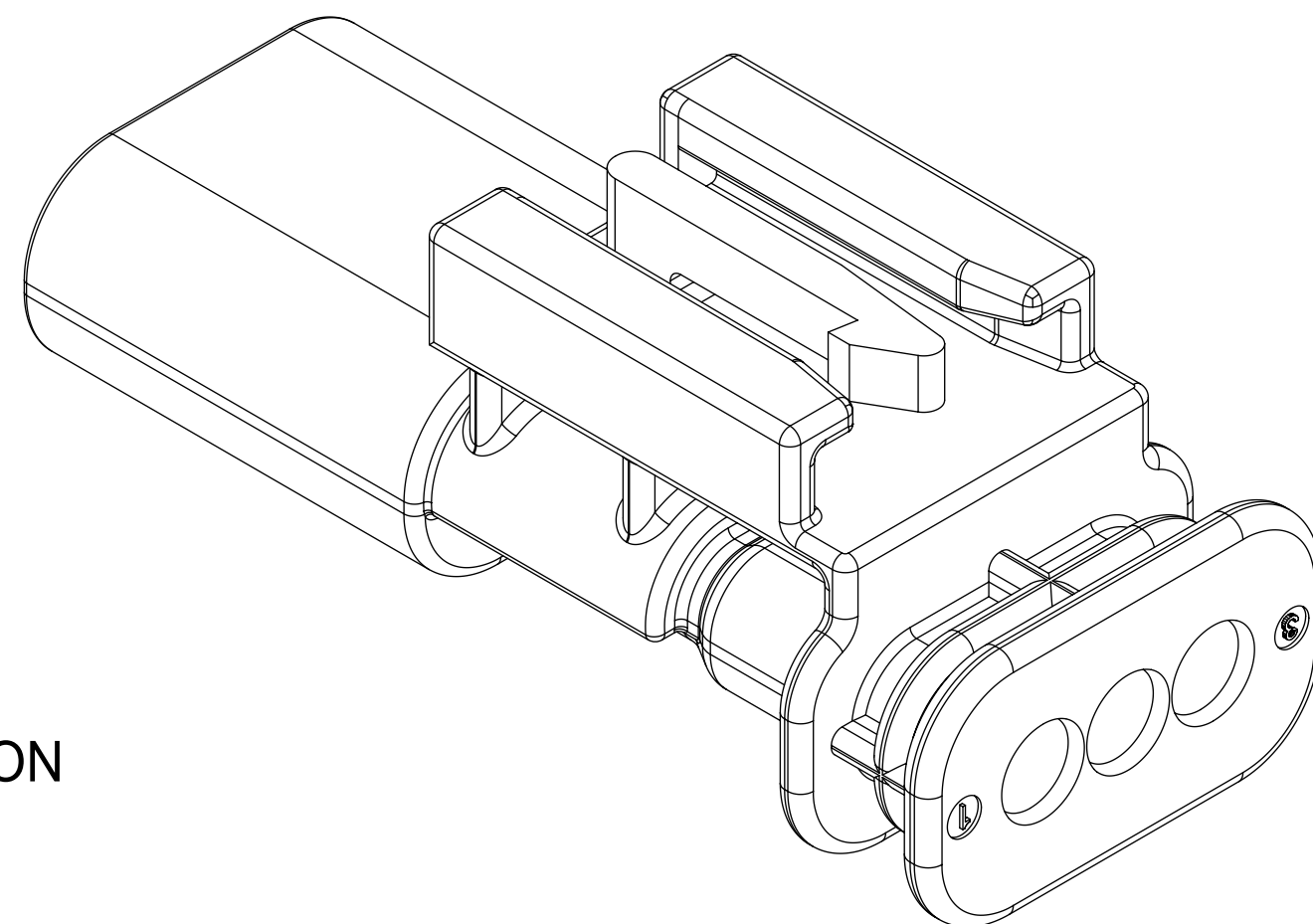
7mm CLIP-SLOT OPTION



11mm CLIP-SLOT OPTION

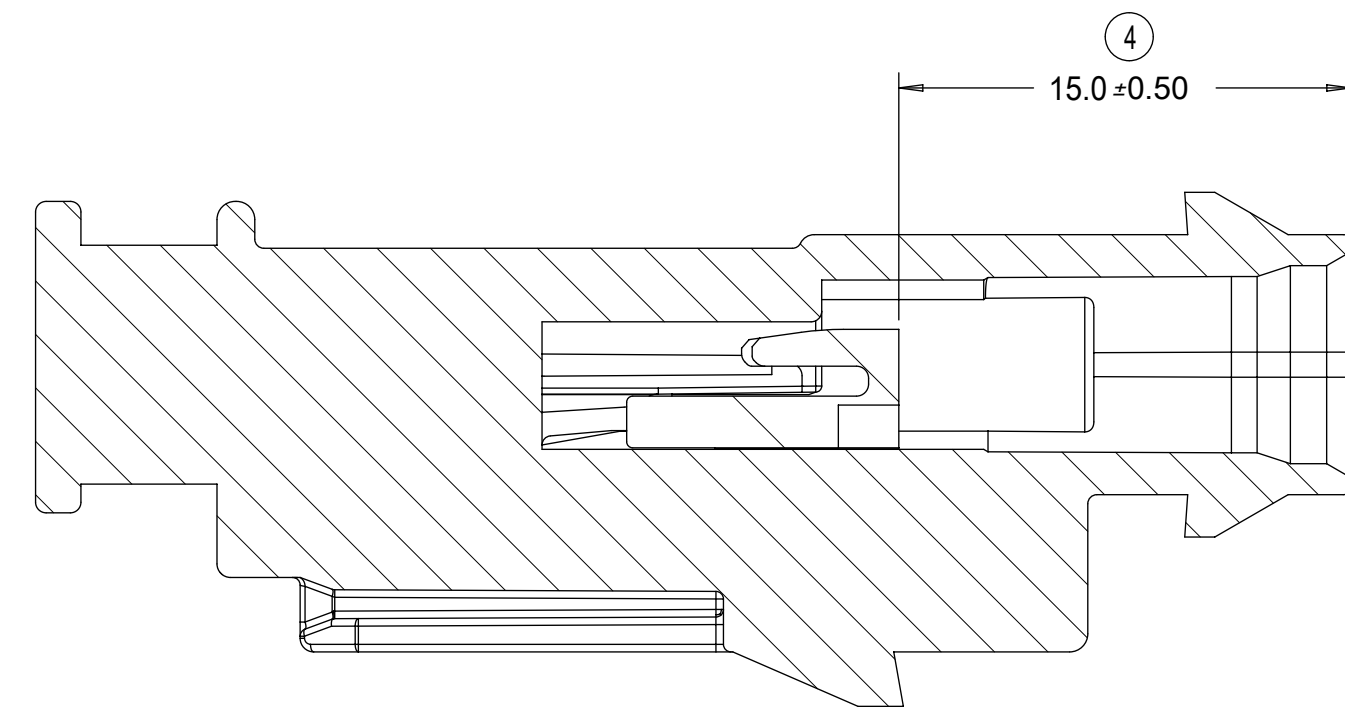
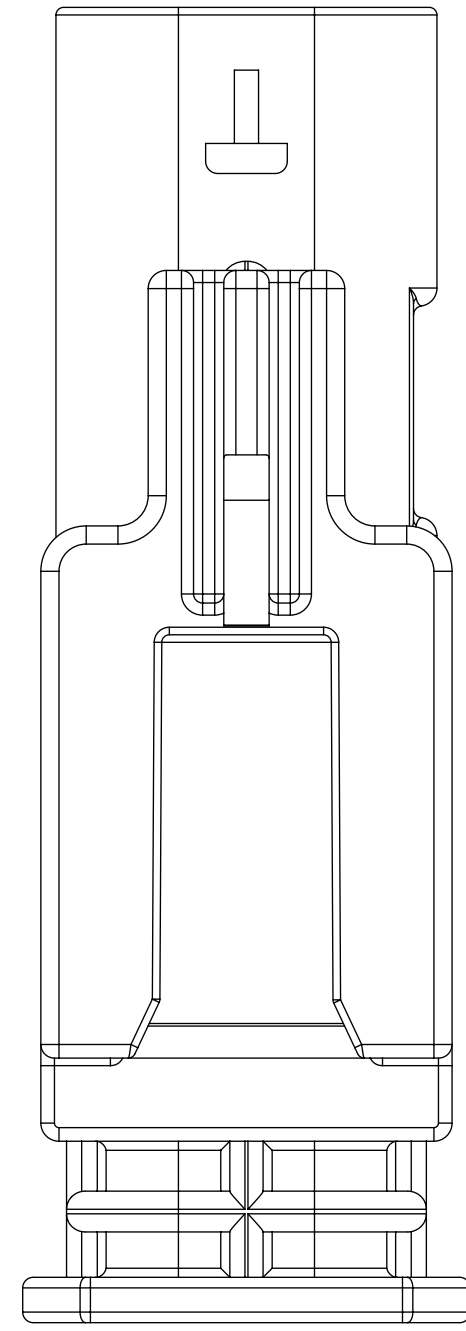
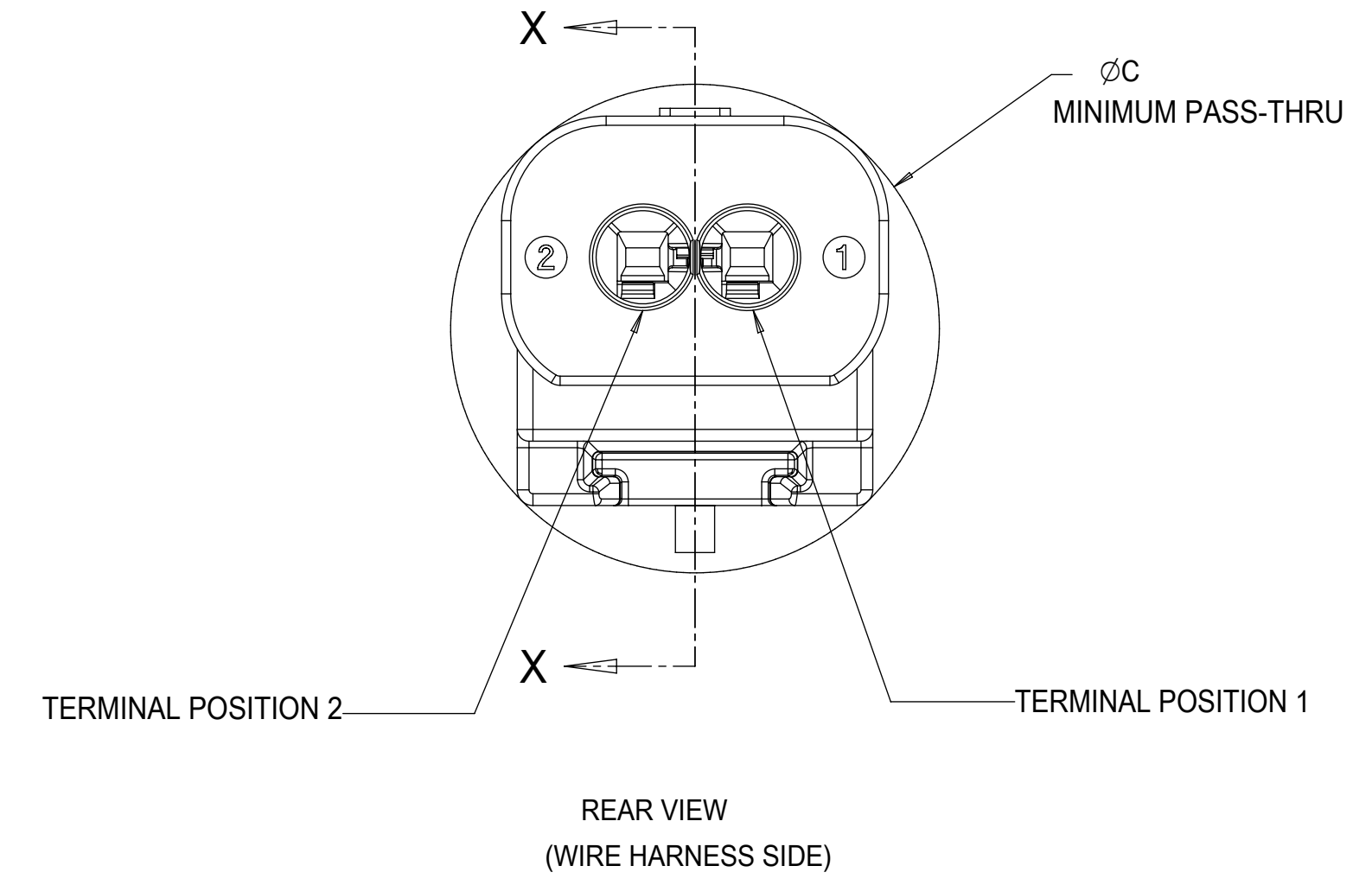
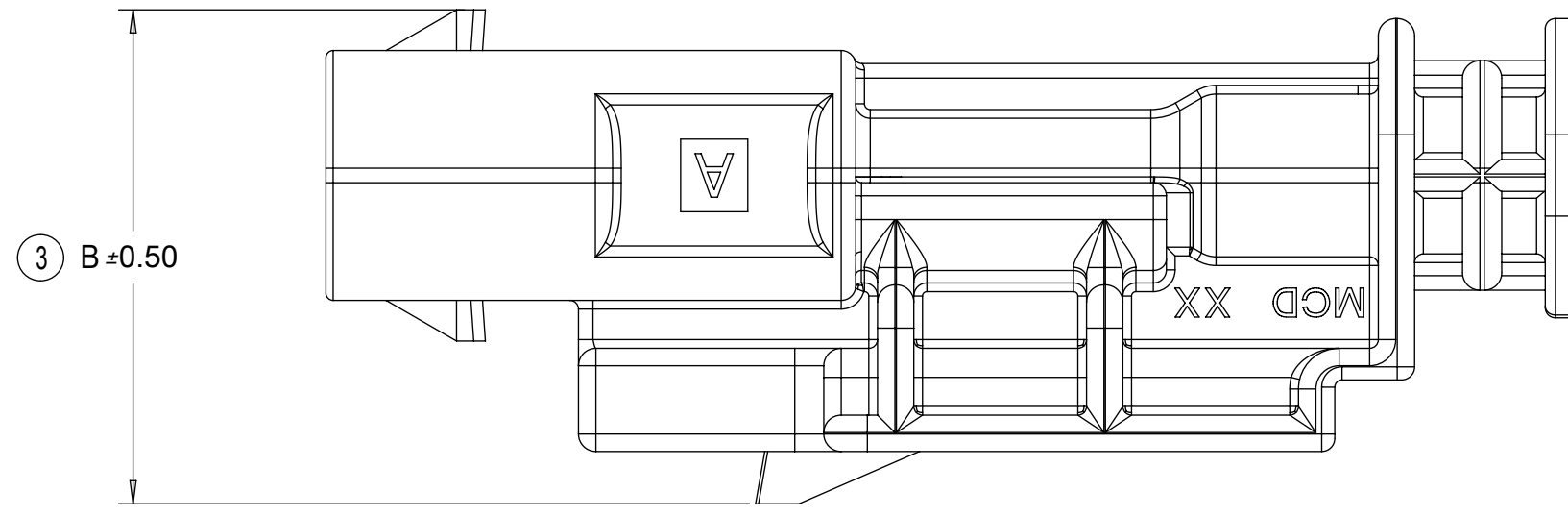
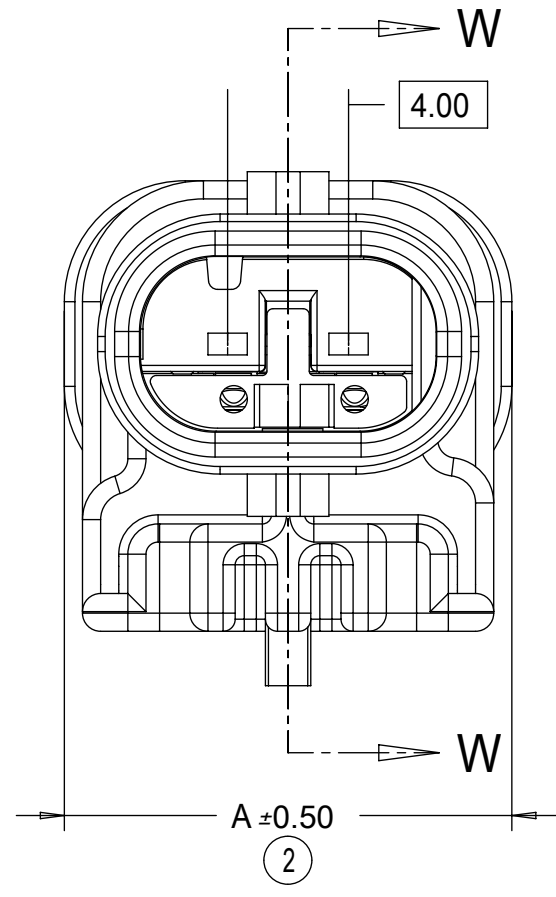
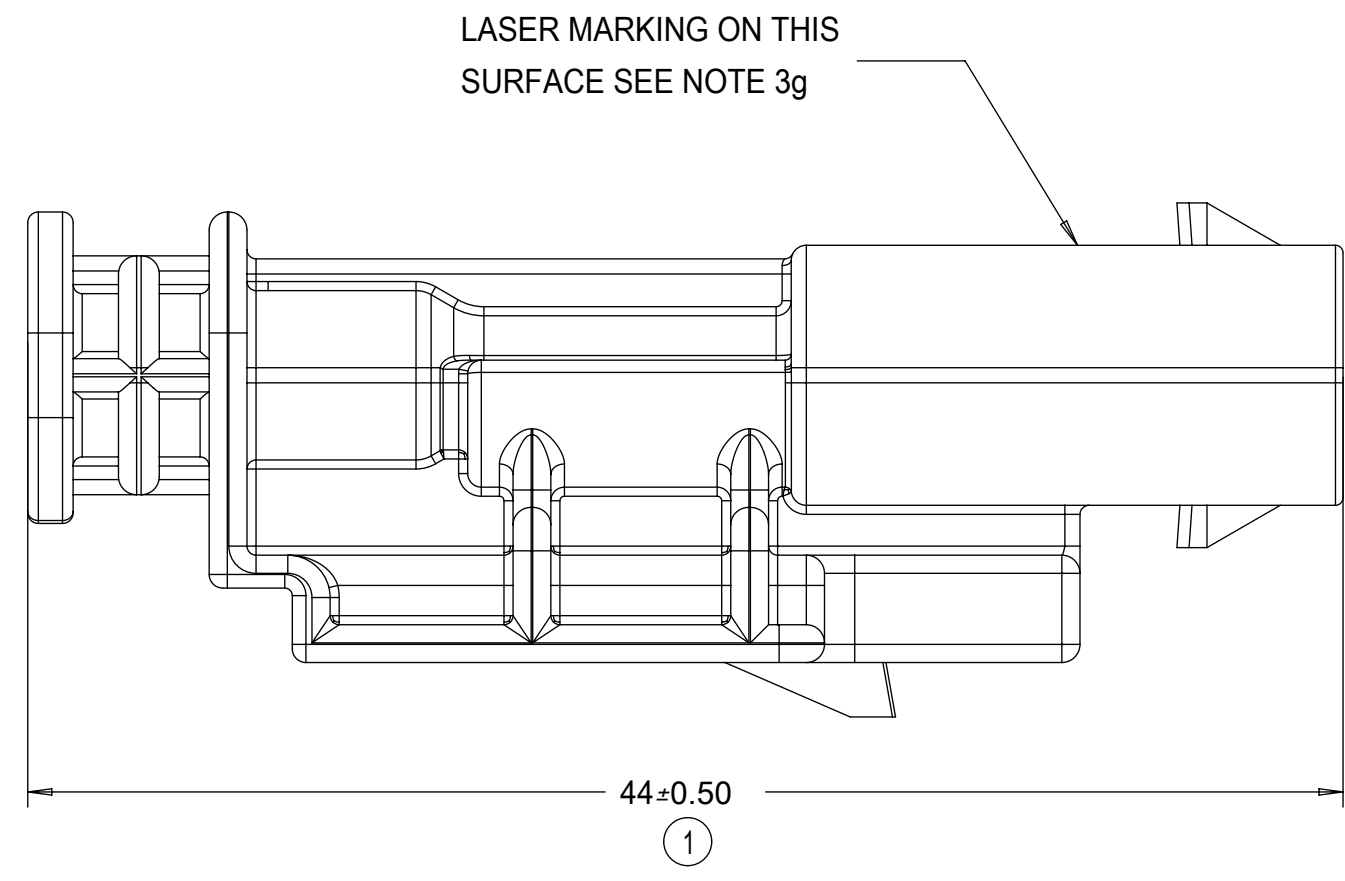


40G CLIP-SLOT OPTION

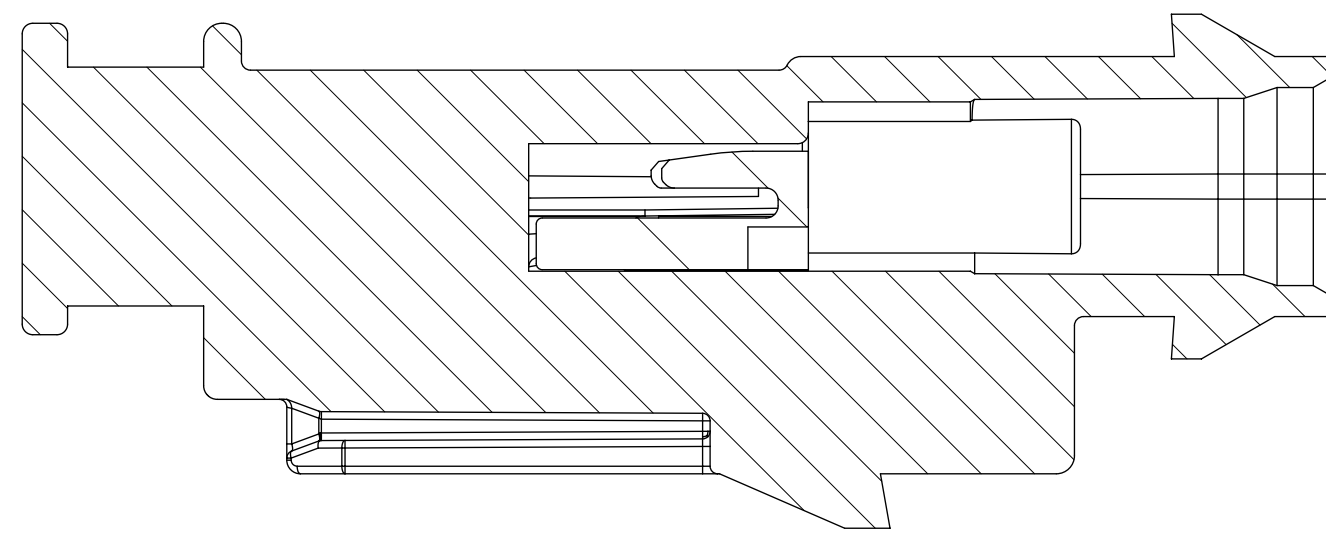


QUALITY SYMBOLS ▽ = 0 ▽ = 0 ▽ = 0 ▽ = 0 ▽ = 0 ▽ = 0 ▽ = 0 ▽ = 0 ▽ = 0 ▽ = 0		THIS DRAWING CONTAINS INFORMATION THAT IS PROPRIETARY TO MOLEX ELECTRONIC TECHNOLOGIES, LLC AND SHOULD NOT BE USED WITHOUT WRITTEN PERMISSION		DIMENSION UNITS MM		SCALE 4:1			
EC NO: 117908 DRWN: VYARAPPA CHK'D: REV APPR: KDEKOSKI		2017/04/11 2017/06/22		GENERAL TOLERANCES (UNLESS SPECIFIED) ANGULAR TOL ± 3.0 °		DRWN BY SKRAJENDRANA			
4 PLACES ± 3 PLACES ± 2 PLACES ± 0.1 1 PLACE ± 0.2 0 PLACES ± 0.5		DRAFT WHERE APPLICABLE MUST REMAIN WITHIN DIMENSIONS		DRAWING SIZE D		THIRD ANGLE PROJECTION		PRODUCT CUSTOMER DRAWING	
RELEASE STATUS P1		RELEASE DATE 22.06.2017 19:25:24		SERIES 34899		MATERIAL NUMBER SEE BOM		CUSTOMER GENERAL MARKET	
DOCUMENT NUMBER SD-34899-2001		DOC TYPE PSD		DOC PART 001		SHEET NUMBER 4 OF 11			

BLADE SEALED ASSEMBLY



PRIMARY LOCK REINFORCEMENT (PLR) SHOWN  
IN THE PRE-STAGED POSITION  
SECTION W-W

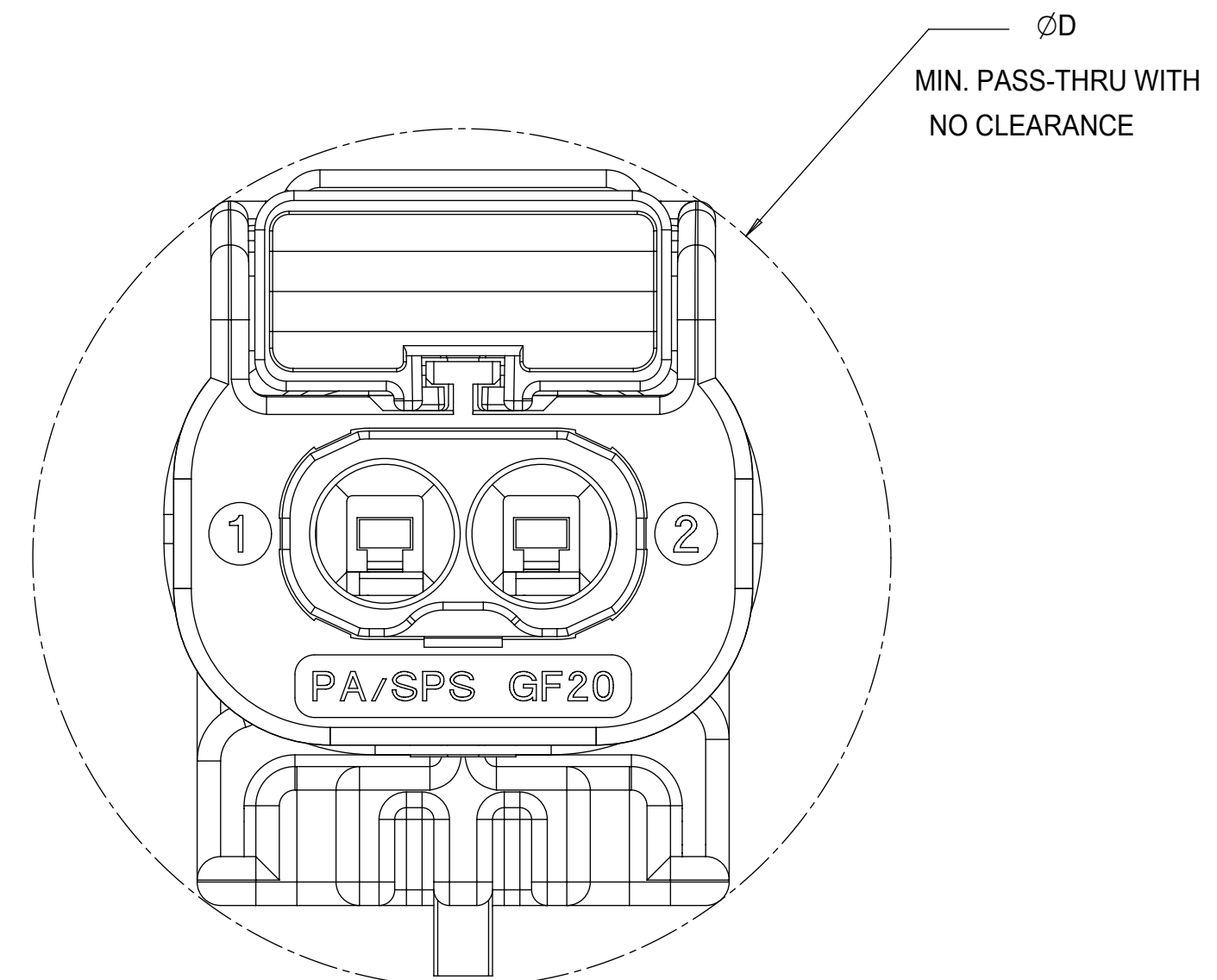
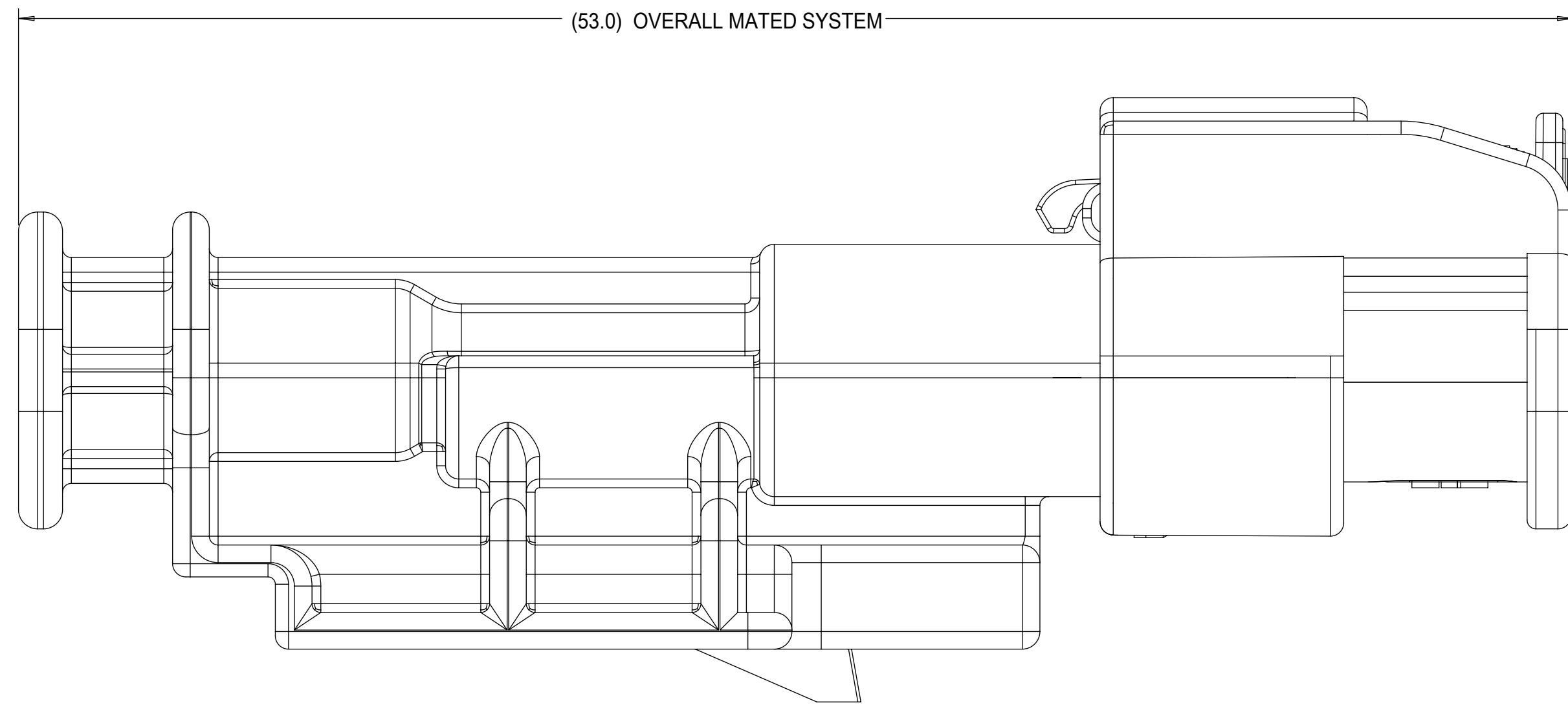


PRIMARY LOCK REINFORCEMENT (PLR) SHOWN  
IN THE FINAL-LOCK POSITION  
SECTION X-X

1x3 BLADE SEALED ASSEMBLY, 40G CLIP SLOT	19	16.75	21.75
1x3 BLADE SEALED ASSEMBLY, 11mm CLIP SLOT	19	14.6	20.75
1x3 BLADE SEALED ASSEMBLY, 7mm CLIP SLOT	19	17	20.5
1x2 BLADE SEALED ASSEMBLY, 40G CLIP SLOT	15	16.75	20.25
1x2 BLADE SEALED ASSEMBLY, 11mm CLIP SLOT	15	15.5	19
1x2 BLADE SEALED ASSEMBLY, 7mm CLIP SLOT	15	17	18.75
CONFIGURATION	A	B	C
CHARTED DIMENSIONS			

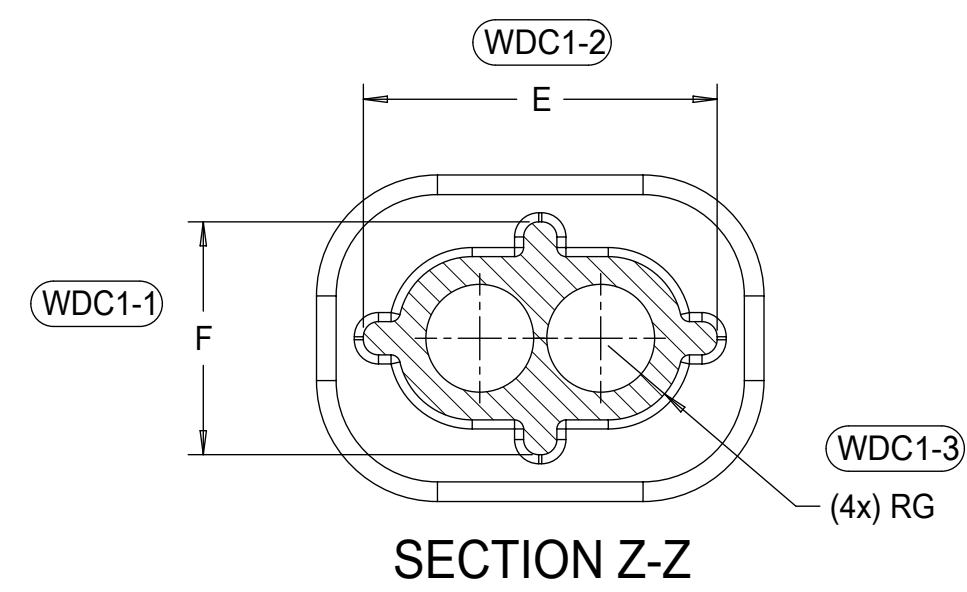
QUALITY SYMBOLS				THIS DRAWING CONTAINS INFORMATION THAT IS PROPRIETARY TO MOLEX ELECTRONIC TECHNOLOGIES, LLC AND SHOULD NOT BE USED WITHOUT WRITTEN PERMISSION				
▽ = 0	2017/04/11	2017/06/22	GENERAL TOLERANCES (UNLESS SPECIFIED)	DIMENSION UNITS	SCALE			
▽ = 0	EC NO: 117908 DRWN: VYARAPPA CHK'D: REV APPR: KDEKOSKI	ANGULAR TOL ± 3.0 °	MM	4:1	1.2MM 1X2, 1X3 BLADE SEALED ASSEMBLY CABLE SEAL			
▽ = 0		4 PLACES ±	SKRAJENDRANA	2013/11/06				
▽ = 0		3 PLACES ±	CHK'D BY	DATE				
▽ = 0	2 PLACES ± 0.1	APPR BY	DATE	PRODUCT CUSTOMER DRAWING				
▽ = 0	1 PLACE ± 0.2	DRAWING SIZE	THIRD ANGLE PROJECTION	SERIES	MATERIAL NUMBER	CUSTOMER		
▽ = 0	0 PLACES ± 0.5	D		34899	SEE BOM	GENERAL MARKET		
▽ = 0	DRAFT WHERE APPLICABLE MUST REMAIN WITHIN DIMENSIONS			DOCUMENT NUMBER	DOC TYPE	DOC PART	SHEET NUMBER	
▽ = 0				A15	SD-34899-2001	PSD	001	
							5 OF 11	

# CONNECTION SYSTEM PACKAGING



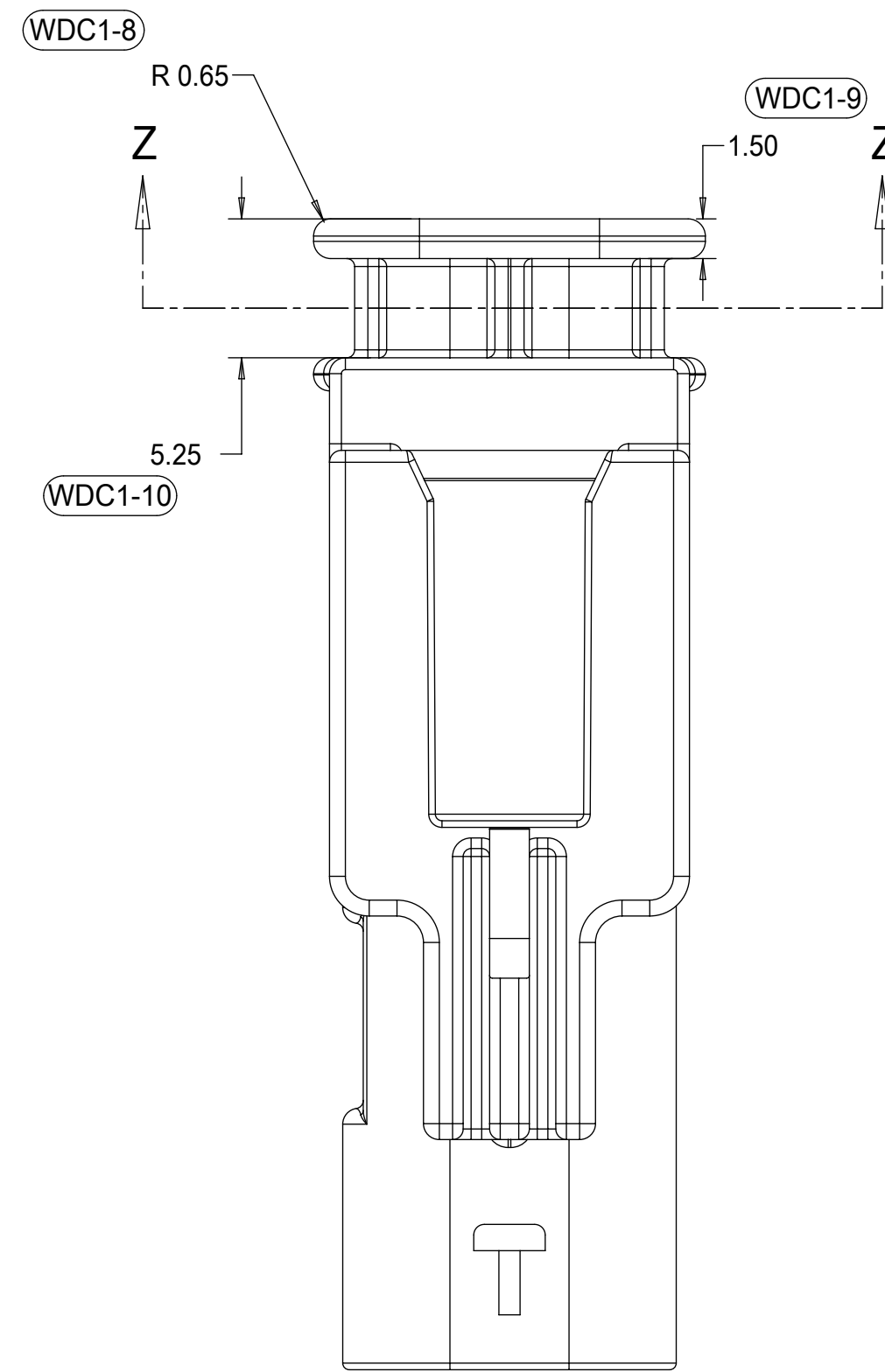
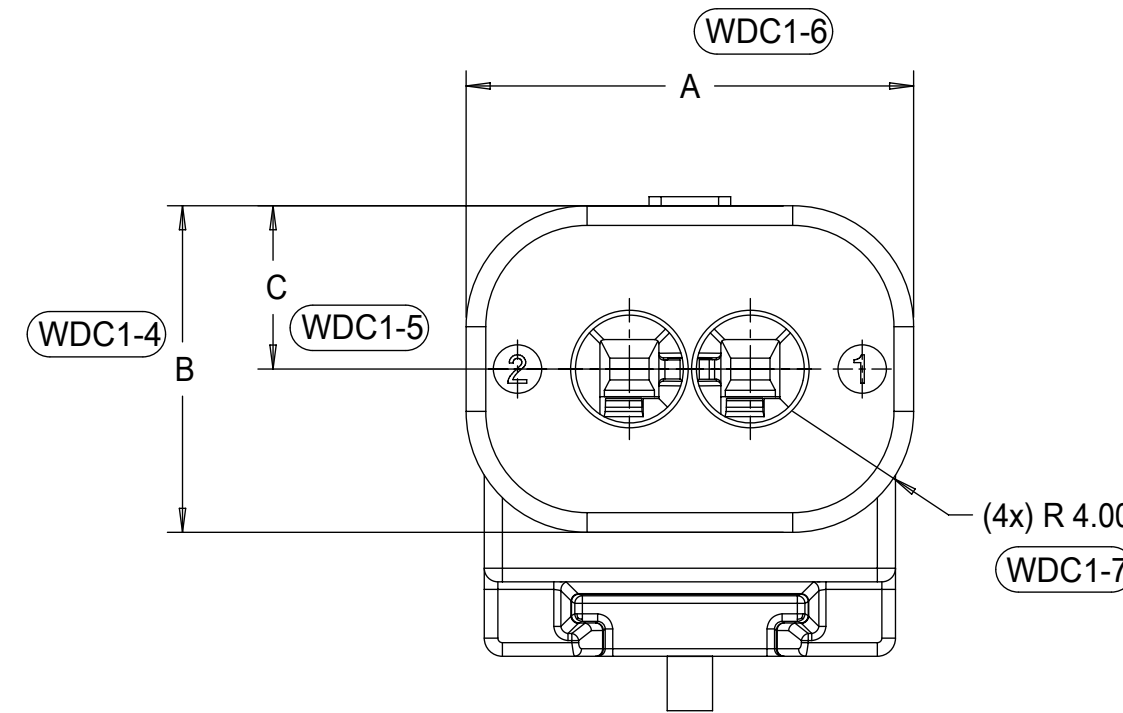
1x3 RECEPTACLE MATED TO 1x3 BLADE, 40 CLIP SLOT	TBD
1x3 RECEPTACLE MATED TO 1x3 BLADE, 11mm CLIP SLOT	24.0
1x3 RECEPTACLE MATED TO 1x3 BLADE, 7mm CLIP SLOT	23.0
1x2 RECEPTACLE MATED TO 1x2 BLADE, 40G CLIP SLOT	23.0
1x2 RECEPTACLE MATED TO 1x2 BLADE, 11mm CLIP SLOT	23.0
1x2 RECEPTACLE MATED TO 1x2 BLADE, 7mm CLIP SLOT	23.0
1.2mm CONNECTION SYSTEM CONFIGURATION	D
<b>CHARTED DIMENSIONS</b>	

<b>QUALITY SYMBOLS</b> □ = 0 ▽ = 0 ▽ = 0 ▽ = 0 ▽ = 0 ▽ = 0 ▽ = 0 ▽ = 0 ▽ = 0 ▽ = 0 ▽ = 0	THIS DRAWING CONTAINS INFORMATION THAT IS PROPRIETARY TO MOLEX ELECTRONIC TECHNOLOGIES, LLC AND SHOULD NOT BE USED WITHOUT WRITTEN PERMISSION		DIMENSION UNITS: <b>MM</b> SCALE: <b>6:1</b>			
	EC NO: 117908 DRWN: VYARAPPA CHKD: REV APPR: KDEKOSKI	2017/04/11 2017/06/22	GENERAL TOLERANCES (UNLESS SPECIFIED) ANGULAR TOL ± 3.0 ° 4 PLACES ± 3 PLACES ± 2 PLACES ± 0.1 1 PLACE ± 0.2 0 PLACES ± 0.5	DRWN BY: SKRAJENDRANA DATE: 2013/11/06 CHKD BY: DATE: APPR BY: DATE:		PRODUCT CUSTOMER DRAWING
	A15	D	DRAFT WHERE APPLICABLE MUST REMAIN WITHIN DIMENSIONS	DRAWING SIZE: <b>D</b> THIRD ANGLE PROJECTION		SERIES: 34899 MATERIAL NUMBER: <b>SEE BOM</b> CUSTOMER: GENERAL MARKET
	RELEASE STATUS: P1 RELEASE DATE: 22.06.2017 19:25:24	DOCUMENT NUMBER: SD-34899-2001 DOC TYPE: PSD DOC PART: 001 SHEET NUMBER: 6 OF 11				

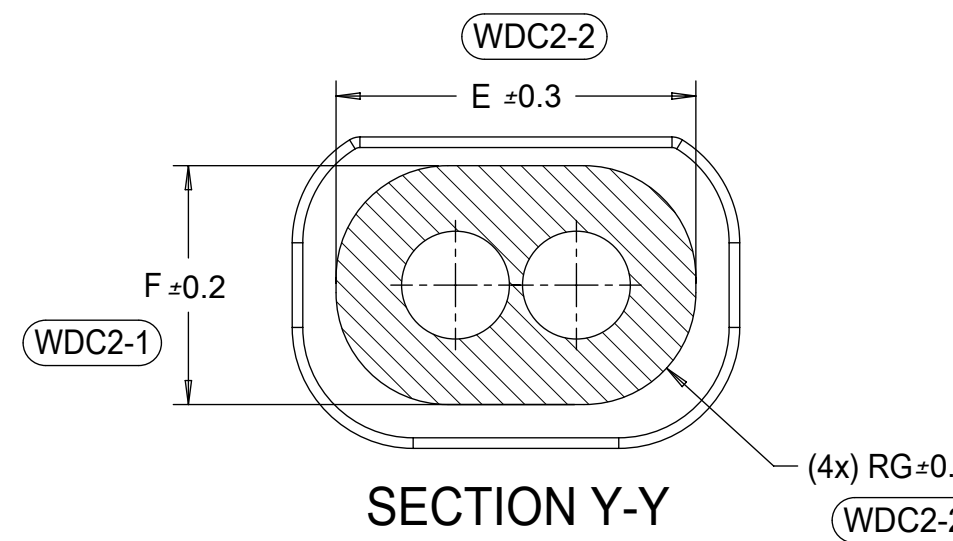


3 CIRCUIT	18.8	10.8	5.4	15.7	7.7	2.45
2 CIRCUIT	14.8	10.8	5.4	11.7	7.7	2.45
CONFIGURATION	A	B	C	E	F	G

CHARTED DIMENSIONS

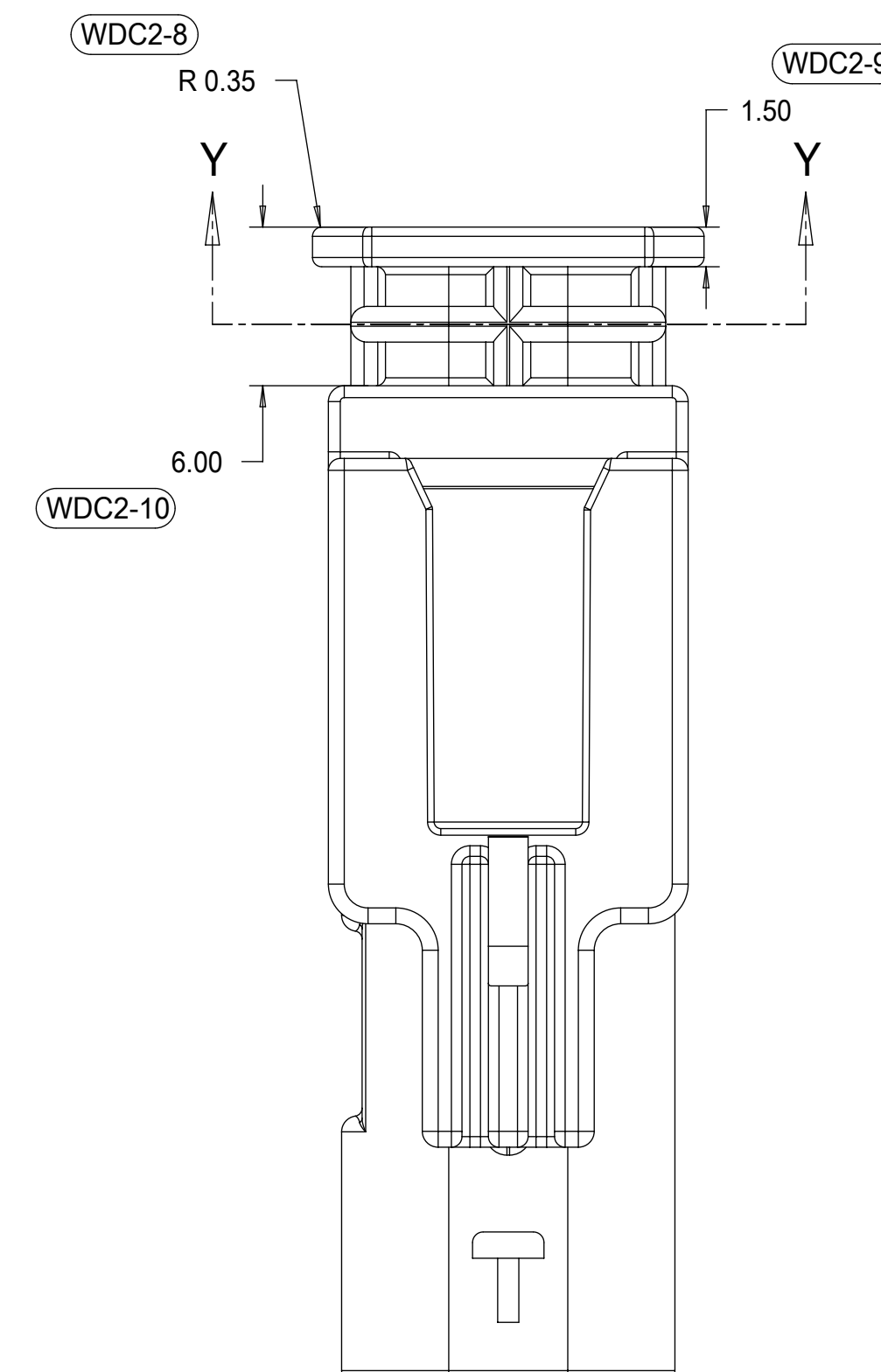
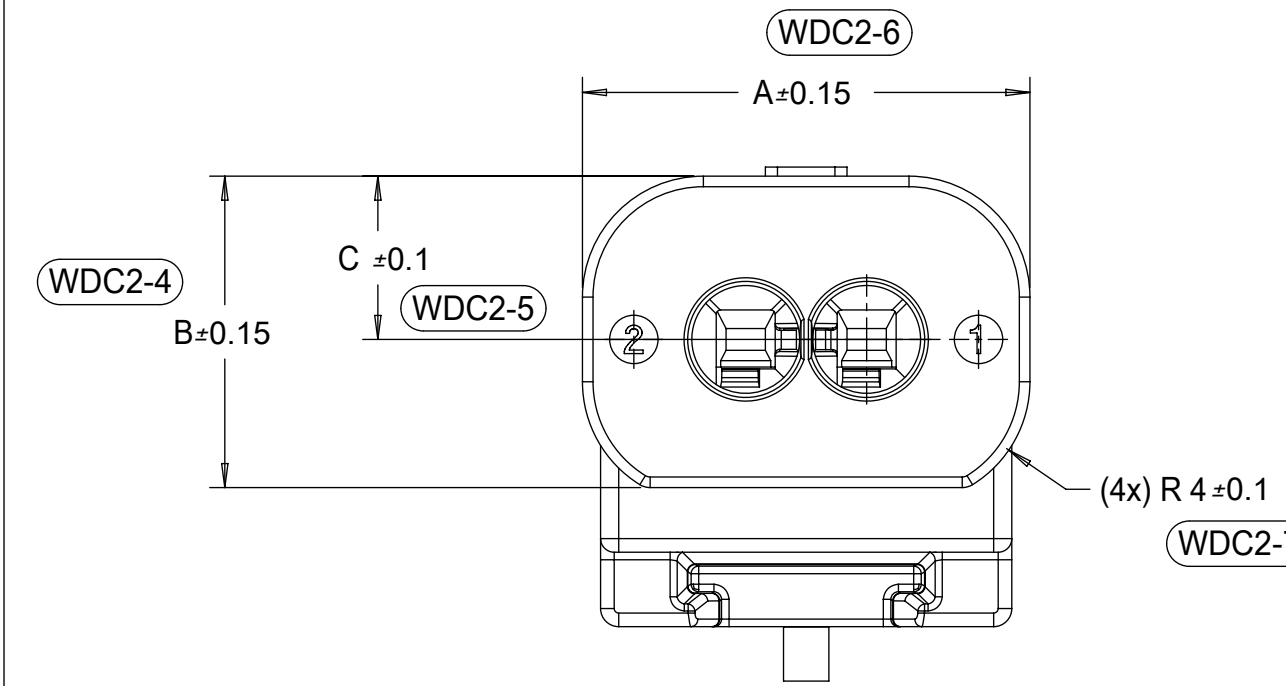


WIRE DRESS COVER  
 INTERFACE OPTION 1  
 WIRE DRESS COVERS  
 NOT AVAILABLE



3 CIRCUIT	18.8	10.8	5.4	15.9	7.9	3.7
2 CIRCUIT	14.8	10.3	5.4	11.9	7.9	3.7
CONFIGURATION	A	B	C	E	F	G

CHARTED DIMENSIONS



WIRE DRESS COVER  
 INTERFACE OPTION 2  
 BASED ON HIRSCHMANN INTERFACE  
 DRAWING 808-012-xxx REV B5

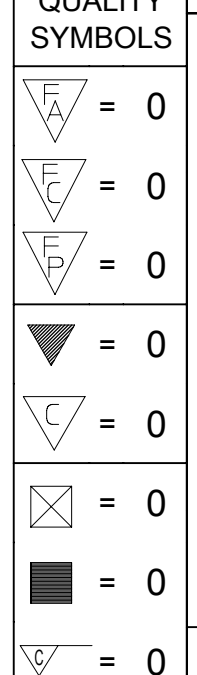

QUALITY SYMBOLS ▽ = 0 ▽ = 0 ▽ = 0 ▽ = 0 ▽ = 0 ▽ = 0 ▽ = 0 ▽ = 0 ▽ = 0	THIS DRAWING CONTAINS INFORMATION THAT IS PROPRIETARY TO MOLEX ELECTRONIC TECHNOLOGIES, LLC AND SHOULD NOT BE USED WITHOUT WRITTEN PERMISSION		DIMENSION UNITS <b>MM</b>	SCALE <b>4:1</b>		
	GENERAL TOLERANCES (UNLESS SPECIFIED) ANGULAR TOL ± 3.0 °	DRWN BY <b>SKRAJENDRANA</b>	DATE <b>2013/11/06</b>	PRODUCT CUSTOMER DRAWING		
	4 PLACES ± 3 PLACES ± 2 PLACES ± 0.1 1 PLACE ± 0.2 0 PLACES ± 0.5	CHKD BY <b>KDEKOSKI</b>	DATE <b>2017/06/22</b>	SERIES <b>34899</b>		
	DRAFT WHERE APPLICABLE MUST REMAIN WITHIN DIMENSIONS	APPR BY <b>VYARAPPA</b>	DATE <b>2017/04/11</b>	MATERIAL NUMBER <b>SEE TABLE</b>		CUSTOMER <b>GENERAL MARKET</b>
RELEASE STATUS <b>P1</b>	RELEASE DATE <b>22.06.2017</b>	19:25:24	DOCUMENT NUMBER <b>SD-34899-2001</b>	DOC TYPE <b>PSD</b>	DOC PART <b>001</b>	SHEET NUMBER <b>7 OF 11</b>

KEYING OPTION E, 11mm CLIP SLOT, STONE GRAY	34899-2043	1																			E		CONCEPT			
KEYING OPTION C, 11mm CLIP SLOT, DARK GRAY	34899-2042	1																				C		CONCEPT		
KEYING OPTION B, 11mm CLIP SLOT, LIGHT GRAY	34899-2041	1																					B		CONCEPT	
KEYING OPTION A, 11mm CLIP SLOT, BLACK	34899-2040	1																					A		CONCEPT	
KEYING OPTION E, 11mm CLIP SLOT, YELLOW	34899-2033	1																					E		CONCEPT	
KEYING OPTION C, 11mm CLIP SLOT, YELLOW	34899-2032	1																					C		CONCEPT	
KEYING OPTION B, 11mm CLIP SLOT, YELLOW	34899-2031	1																					B		CONCEPT	
KEYING OPTION A, 11mm CLIP SLOT, YELLOW	34899-2030	1																					A		CONCEPT	
KEYING OPTION E, 7mm CLIP SLOT, STONE GRAY	34899-2023	1																					E		TOOLED BUT NOT VALIDATED	
KEYING OPTION C, 7mm CLIP SLOT, DARK GRAY	34899-2022	1																					C		SALEABLE	
KEYING OPTION B, 7mm CLIP SLOT, LIGHT GRAY	34899-2021	1																					B		SALEABLE	
KEYING OPTION A, 7mm CLIP SLOT, BLACK	34899-2020	1																					A		SALEABLE	
KEYING OPTION E, 7mm CLIP SLOT, YELLOW	34899-2013	1																					E		TOOLED BUT NOT VALIDATED	
KEYING OPTION C, 7mm CLIP SLOT, YELLOW	34899-2012	1																					C		SALEABLE	
KEYING OPTION B, 7mm CLIP SLOT, YELLOW	34899-2011	1																					B		SALEABLE	
KEYING OPTION A, 7mm CLIP SLOT, YELLOW	34899-2010	1																					A		SALEABLE	
ASSEMBLY DESCRIPTION	ASSEMBLY PART NUMBER	WIRE DRESS COVER INTERFACE OPTION																							PRODUCTION TOOL STATUS	COMMENTS

1x2 BLADE SEALED ASSEMBLY BOM  
FOR WIRE DRESS COVER INTERFACE 1  
REFER WIRE DRESS COVER INTERFACE SHEET  
FOR DETAILS

PLR	COLOR	MATERIAL
1x2 CONNECTOR HOUSING, KEYING OPTION E 11mm CLIP SLOT	STONE GRAY	SPS/NYLON GF20
1x2 CONNECTOR HOUSING, KEYING OPTION C 11mm CLIP SLOT	DARK GRAY	SPS/NYLON GF20
1x2 CONNECTOR HOUSING, KEYING OPTION B 11mm CLIP SLOT	LIGHT GRAY	SPS/NYLON GF20
1x2 CONNECTOR HOUSING, KEYING OPTION A 11mm CLIP SLOT	BLACK	SPS/NYLON GF20
1x2 CONNECTOR HOUSING, KEYING OPTION E 11mm CLIP SLOT	YELLOW	SPS/NYLON GF20
1x2 CONNECTOR HOUSING, KEYING OPTION C 11mm CLIP SLOT	YELLOW	SPS/NYLON GF20
1x2 CONNECTOR HOUSING, KEYING OPTION B 11mm CLIP SLOT	YELLOW	SPS/NYLON GF20
1x2 CONNECTOR HOUSING, KEYING OPTION A 11mm CLIP SLOT	YELLOW	SPS/NYLON GF20
1x2 CONNECTOR HOUSING, KEYING OPTION E 7mm CLIP SLOT	STONE GRAY	SPS/NYLON GF20
1x2 CONNECTOR HOUSING, KEYING OPTION C 7mm CLIP SLOT	DARK GRAY	SPS/NYLON GF20
1x2 CONNECTOR HOUSING, KEYING OPTION B 7mm CLIP SLOT	LIGHT GRAY	SPS/NYLON GF20
1x2 CONNECTOR HOUSING, KEYING OPTION A 7mm CLIP SLOT	BLACK	SPS/NYLON GF20
1x2 CONNECTOR HOUSING, KEYING OPTION E 7mm CLIP SLOT	YELLOW	SPS/NYLON GF20
1x2 CONNECTOR HOUSING, KEYING OPTION C 7mm CLIP SLOT	YELLOW	SPS/NYLON GF20
1x2 CONNECTOR HOUSING, KEYING OPTION B 7mm CLIP SLOT	YELLOW	SPS/NYLON GF20
1x2 CONNECTOR HOUSING, KEYING OPTION A 7mm CLIP SLOT	YELLOW	SPS/NYLON GF20
DESCRIPTION	COLOR	MATERIAL
BOM/APPLICABLE COMPONENTS TABLE		

ABBREVIATION	COMPONENT
A	CONNECTOR HOUSING KEYING OPTION A
B	CONNECTOR HOUSING KEYING OPTION B
C	CONNECTOR HOUSING KEYING OPTION C
E	CONNECTOR HOUSING KEYING OPTION E

<b>QUALITY SYMBOLS</b> 	THIS DRAWING CONTAINS INFORMATION THAT IS PROPRIETARY TO MOLEX ELECTRONIC TECHNOLOGIES, LLC AND SHOULD NOT BE USED WITHOUT WRITTEN PERMISSION		<b>GENERAL TOLERANCES (UNLESS SPECIFIED)</b> DIMENSION UNITS: <b>MM</b> SCALE: <b>2:1</b> ANGULAR TOL ± 3.0 ° DRWN BY: SKRAJENDRANA DATE: 2013/11/06 CHKD BY: _____ DATE: _____ APPR BY: _____ DATE: _____ DRAFT WHERE APPLICABLE MUST REMAIN WITHIN DIMENSIONS		  <b>1.2MM 1X2, 1X3 BLADE SEALED ASSEMBLY CABLE SEAL</b>  <b>PRODUCT CUSTOMER DRAWING</b>
	EC NO: 117908 DRWN: VYARAPPA CHKD: _____ REV APPR: KDEKOSKI	2017/04/11 2017/06/22	4 PLACES ± 3 PLACES ± 2 PLACES ± 0.1 1 PLACE ± 0.2 0 PLACES ± 0.5	DRAWING SIZE: <b>D</b> THIRD ANGLE PROJECTION	
RELEASE STATUS: P1 RELEASE DATE: 22.06.2017 19:25:24	DOCUMENT NUMBER: SD-34899-2001 DOC TYPE: PSD DOC PART: 001 SHEET NUMBER: 8 OF 11				



1x2 BLADE SEALED ASSEMBLY BOM  
 FOR WIRE DRESS COVER INTERFACE 2  
 REFER WIRE DRESS COVER INTERFACE SHEET  
 FOR DETAILS

KEYING OPTION A, 40G CLIP SLOT, BLACK	34899-2060	2																A	OK TO TOOL	
KEYING OPTION A, 40G CLIP SLOT, YELLOW	34899-2050	2																A	OK TO TOOL	
KEYING OPTION E, 7mm CLIP SLOT, STONE GRAY	34899-2083	2																E	OK TO TOOL	
KEYING OPTION C, 7mm CLIP SLOT, DARK GRAY	34899-2082	2																C	SALEABLE	
KEYING OPTION B, 7mm CLIP SLOT, LIGHT GRAY	34899-2081	2																B	SALEABLE	
KEYING OPTION A, 7mm CLIP SLOT, BLACK	34899-2080	2																A	SALEABLE	
KEYING OPTION E, 7mm CLIP SLOT, YELLOW	34899-2073	2																E	OK TO TOOL	
KEYING OPTION C, 7mm CLIP SLOT, YELLOW	34899-2072	2																C	SALEABLE	
KEYING OPTION B, 7mm CLIP SLOT, YELLOW	34899-2071	2																B	SALEABLE	
KEYING OPTION A, 7mm CLIP SLOT, YELLOW	34899-2070	2																A	SALEABLE	
ASSEMBLY DESCRIPTION	ASSEMBLY PART NUMBER	WIRE DRESS COVER INTERFACE OPTION																	PRODUCTION TOOL STATUS	COMMENTS

PLR	NATURAL	SPS/NYLON GF20
1x2 CONNECTOR HOUSING, KEYING OPTION A 40G CLIP SLOT	BLACK	SPS/NYLON GF20
1x2 CONNECTOR HOUSING, KEYING OPTION A 40G CLIP SLOT	YELLOW	SPS/NYLON GF20
1x2 CONNECTOR HOUSING, KEYING OPTION E 7mm CLIP SLOT	STONE GRAY	SPS/NYLON GF20
1x2 CONNECTOR HOUSING, KEYING OPTION C 7mm CLIP SLOT	DARK GRAY	SPS/NYLON GF20
1x2 CONNECTOR HOUSING, KEYING OPTION B 7mm CLIP SLOT	LIGHT GRAY	SPS/NYLON GF20
1x2 CONNECTOR HOUSING, KEYING OPTION A 7mm CLIP SLOT	BLACK	SPS/NYLON GF20
1x2 CONNECTOR HOUSING, KEYING OPTION E 7mm CLIP SLOT	YELLOW	SPS/NYLON GF20
1x2 CONNECTOR HOUSING, KEYING OPTION C 7mm CLIP SLOT	YELLOW	SPS/NYLON GF20
1x2 CONNECTOR HOUSING, KEYING OPTION B 7mm CLIP SLOT	YELLOW	SPS/NYLON GF20
1x2 CONNECTOR HOUSING, KEYING OPTION A 7mm CLIP SLOT	YELLOW	SPS/NYLON GF20
DESCRIPTION	COLOR	MATERIAL
BOM/APPLICABLE COMPONENTS TABLE		

ABBREVIATION	COMPONENT
A	CONNECTOR HOUSING KEYING OPTION A
B	CONNECTOR HOUSING KEYING OPTION B
C	CONNECTOR HOUSING KEYING OPTION C
E	CONNECTOR HOUSING KEYING OPTION E

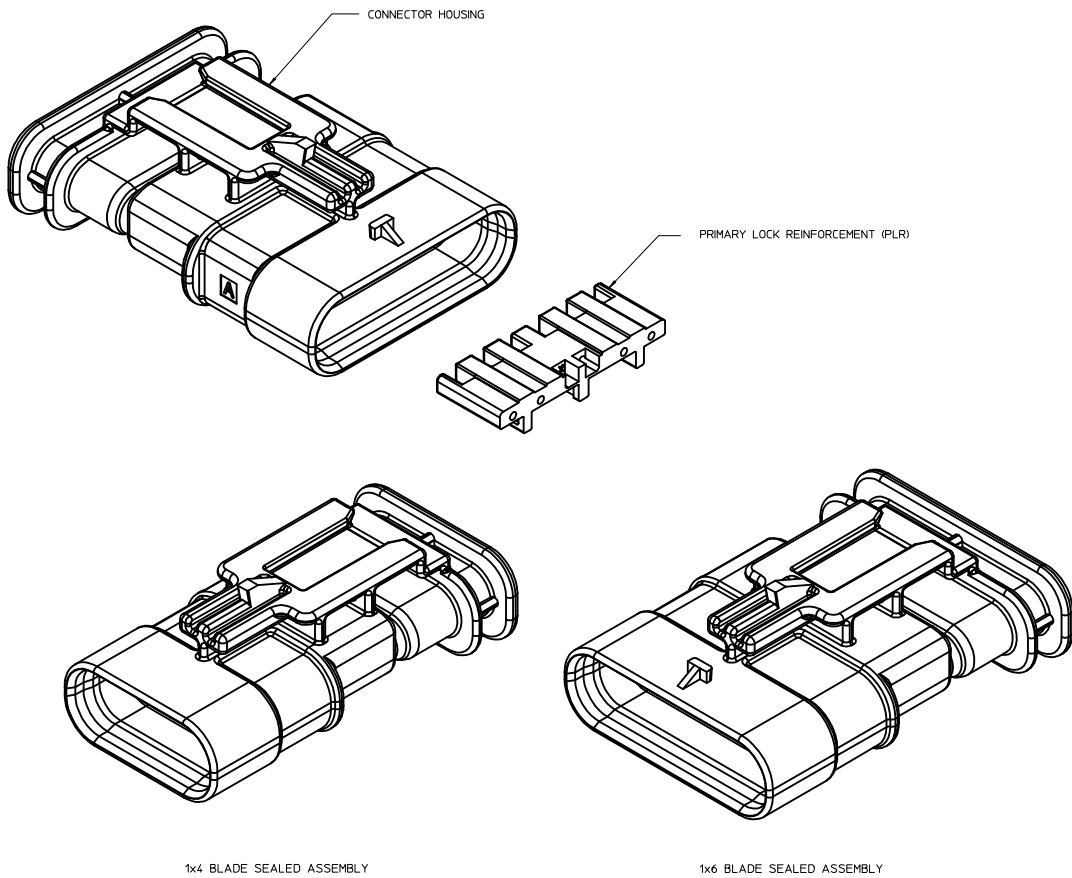
QUALITY SYMBOLS 	THIS DRAWING CONTAINS INFORMATION THAT IS PROPRIETARY TO MOLEX ELECTRONIC TECHNOLOGIES, LLC AND SHOULD NOT BE USED WITHOUT WRITTEN PERMISSION				
	EC NO: 117908 DRWN: VYARAPPA CHK'D: REV APPR: KDEKOSKI	2017/04/11 2017/06/22	GENERAL TOLERANCES (UNLESS SPECIFIED) DIMENSION UNITS: MM SCALE:		
	4 PLACES ± 3 PLACES ± 2 PLACES ± 0.1 1 PLACE ± 0.2 0 PLACES ± 0.5	ANGULAR TOL ± 3.0 ° DRAFT WHERE APPLICABLE MUST REMAIN WITHIN DIMENSIONS	DRWN BY: SKRAJENDRANA DATE: 2013/11/06 CHKD BY: DATE: APPR BY: DATE:	1.2MM 1X2, 1X3 BLADE SEALED ASSEMBLY CABLE SEAL PRODUCT CUSTOMER DRAWING	
	A15	D 	DRAWING SIZE: D THIRD ANGLE PROJECTION	SERIES: 34899 MATERIAL NUMBER: SEE BOM CUSTOMER: GENERAL MARKET	DOCUMENT NUMBER: SD-34899-2001 DOC TYPE: PSD DOC PART: 001 SHEET NUMBER: 9 OF 11





**TABLE OF CONTENTS**

SHEET NO.	SHEET DESCRIPTION
1	NOTES
2	1x4 BLADE SEALED ASSEMBLY KEYING CONFIGURATIONS
3	1x6 BLADE SEALED ASSEMBLY KEYING CONFIGURATIONS
4	CLIP SLOT CONFIGURATIONS
5	BLADE SEALED ASSEMBLY
6	CONNECTION SYSTEM PACKAGING
7	WIRE DRESS COVER INTERFACE OPTIONS
8	1x4 BLADE SEALED ASSEMBLY BOM INTERFACE OPTION 1
9	1x4 BLADE SEALED ASSEMBLY BOM INTERFACE OPTION 2
10	1x6 BLADE SEALED ASSEMBLY BOM INTERFACE OPTION 1
11	1x6 BLADE SEALED ASSEMBLY BOM INTERFACE OPTION 2



NOTES: VALID UNLESS OTHERWISE SPECIFIED

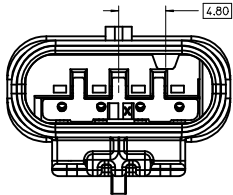
1. GENERAL:
  - a. APPLICATION SPECIFICATION SEE: AS-34900-0001  
CONTAINS: PRODUCT INTRODUCTION, PRODUCT SUMMARY, CONNECTOR ASSEMBLY, PACKAGING INFORMATION, CONNECTOR MATING, SERVICE INSTRUCTIONS, ELECTRICAL CONTINUITY CHECKING, CRIMPING, AND TROUBLESHOOTING.
  - b. PRODUCT SPECIFICATION SEE: PS-34900-0001  
CONTAINS: PRODUCT INTRODUCTION, PRODUCT SUMMARY, RATINGS (CURRENT, TEMPERATURE, SEALING, AND FLAMMABILITY), AND PRODUCT VALIDATION.
  - c. PACKAGING SPECIFICATION PER MOLEX DRAWING: PK-31301-898
  - d. PARTS MUST BE IN COMPLIANCE TO MOLEX CHEMICAL SUBSTANCES FOR PRODUCTS AND PACKAGING SPECIFICATION: QEHS-699000-301
  - e. DATA MUST BE SUBMITTED UNDER THE MOLEX PART NUMBER TO IMDS (COMPANY ID#13255)
2. DESIGN - MATERIALS:
  - a. SEE BOM TABLE
3. DESIGN - GEOMETRY:
  - a. THIS IS A 100% CAD GENERATED PART. THE CAD MATHEMATICAL DATA IS THE MASTER FOR THIS PART. FOR DIMENSIONAL OR ANY INFORMATION NOT SHOWN ON THIS DRAWING, ANALYZE THE CAD MODEL.
  - b. GEOMETRIC DIMENSIONS AND TOLERANCES PER ASME Y14.5M - 1994
  - c. EDGES AND UNDIMENSIONED DETAILS PER ISO13715
  - d. CORNERS SHOWN AS SHARP TO BE R 0.2 MAX.
  - e. LETTERING SHALL BE 0.15 MAX RAISED IN 0.25 MAX RECESS PAD. THIS INCLUDES RECYCLING CODE, CAVITY ID, VENDOR IDENTIFICATION, AND CUSTOMER MATERIAL NUMBER.
  - f. VISUAL DEFECTS SHALL MEET COSMETIC STANDARD PS-45499-002 (Class B)
- g. LASER MARKING:
  1. PART NUMBER
  2. DAY OF THE YEAR
  3. SHIFT
  4. YEAR

INSPECTION BALLOON NUMBER LOG  
 PER DRAWING REVISION: B12  
 LAST BALLOON NUMBER USED: WDC2-10  
 ADDED BALLOON NUMBERS: WDC2-1 - WDC2-10  
 REMOVED BALLOON NUMBERS:

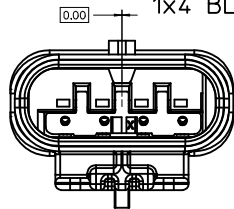
ENTER DESCRIPTION EC NO: UAU2016-1803 DRAWN: KOWALSKI CHKD: APPR: KOWALSKI DATE: 2016/06/01 2016/06/15 B15	QUALITY SYMBOLS ∇=0 ∇=0 ∇=0	GENERAL TOLERANCES (UNLESS SPECIFIED): mm    INCH 4 PLACES ±--- ±--- 3 PLACES ±--- ±--- 2 PLACES ±0.10 ±--- 1 PLACE ±0.20 ±--- 0 PLACE ±0.50 ±--- ANGULAR ± 3 ° DRAFT WHERE APPLICABLE MUST REMAIN WITHIN DIMENSIONS	DIMENSION STYLE MM ONLY DRAWN BY: MYANSLAMBROU DATE: 2012/07/13 CHECKED BY: YKOSHY DATE: 2012/07/19 APPROVED BY: YKOSHY DATE: 2012/07/124	SCALE: 4:1 DESIGN UNITS: METRIC THIRD ANGLE PROJECTION	TITLE: 12MM 1X4, 1X6 BLADE SEALED ASSEMBLY CABLE SEAL <b>molex</b> DOCUMENT NO.: SD-34899-6001 SHEET NO.: 1 OF 11
	THIS DRAWING CONTAINS INFORMATION THAT IS PROPRIETARY TO MOLEX INCORPORATED AND SHOULD NOT BE USED WITHOUT WRITTEN PERMISSION				
	REV    DESCRIPTION				
	REV    DESCRIPTION				

B15	UPDATED BALLOONS 2-1 & 2-2 ON SHEET 7
B14	UPDATED PARTS TO SALEABLE
B13	RELEASED PRIMARY KEYS NON-SIR SALEABLE
B12	UPDATED PLR LOCK UP GEOMETRY
B11	UPDATED WDC INTERFACE PART# TO TOOLED BUT NOT VALIDATED
B10	UPDATED TOLERANCES WDC FEATURES
B9	1X4, 1X6 PART # WIRE DRESS COVER INTERFACE FEATURES OK TO TOOL
B8	1X4 40G CLIP-SLOT OK TO TOOL
B7	1X4 PART # UPDATED TO 'TOOLED BUT NOT VALIDATED'
B6	ADDED 40G CLIP-SLOT PART NUMBERS
B5	BOM CORRECTIONS AND UPDATES
B4	BOM CORRECTIONS AND UPDATES
B3	1x4, 1x6 NON-SIR PART# OK TO TOOL
B2	1x6 11mm CLIP SLOT PART # OK TO TOOL
B1	1x6 11mm CLIP SLOT PART NUMBERS ADDED
B	ADDED 1x4 INFORMATION
A	OK TO TOOL

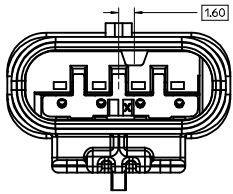
1x4 BLADE SEALED ASSEMBLY KEYING CONFIGURATIONS. FOR PART NUMBERS REFER TO BOM SHEET.



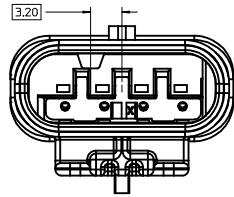
KEYING OPTION A



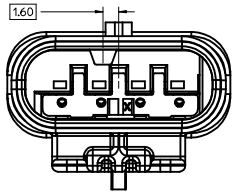
KEYING OPTION F



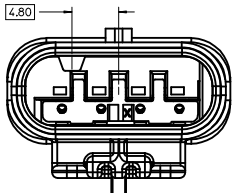
KEYING OPTION B



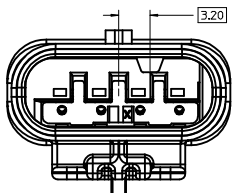
KEYING OPTION G



KEYING OPTION C



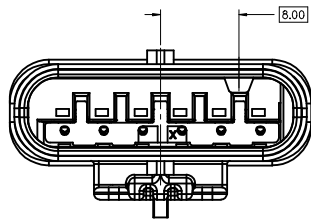
KEYING OPTION D



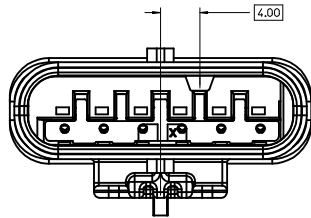
KEYING OPTION E

<b>ENTER DESCRIPTION</b> EC NO: UAU2016-1803 DRAWN: KOWALSKI 2016/06/07 CHKD: CHYD APPR: KOJEKSKI 2016/06/15 REVISIONS 1 2 3 4 5 6 7 8 9 10 11 12 13 14 15 16 17 18 19 20	QUALITY SYMBOLS ▽=0 ▽=0 ▽=0	GENERAL TOLERANCES (UNLESS SPECIFIED) <table border="1"> <thead> <tr> <th></th> <th>mm</th> <th>INCH</th> </tr> </thead> <tbody> <tr> <td>4 PLACES</td> <td>± 0.10</td> <td>± 0.004</td> </tr> <tr> <td>3 PLACES</td> <td>± 0.15</td> <td>± 0.006</td> </tr> <tr> <td>2 PLACES</td> <td>± 0.20</td> <td>± 0.008</td> </tr> <tr> <td>1 PLACE</td> <td>± 0.25</td> <td>± 0.010</td> </tr> <tr> <td>0 PLACE</td> <td>± 0.30</td> <td>± 0.012</td> </tr> </tbody> </table> ANGULAR ± 3 ° DRAFT WHERE APPLICABLE MUST REMAIN WITHIN DIMENSIONS		mm	INCH	4 PLACES	± 0.10	± 0.004	3 PLACES	± 0.15	± 0.006	2 PLACES	± 0.20	± 0.008	1 PLACE	± 0.25	± 0.010	0 PLACE	± 0.30	± 0.012	DIMENSION STYLE <b>MM ONLY</b>	SCALE <b>4:1</b>	DESIGN UNITS <b>METRIC</b>	THIRD ANGLE PROJECTION 	DRAWN BY MYANSLAMBROU DATE 2012/07/13 CHECKED BY VKOSHY DATE 2012/07/19 APPROVED BY VKOSHY DATE 2012/07/24	TITLE <b>1.2MM 1X4, 1X6 BLADE SEALED ASSEMBLY CABLE SEAL</b> <b>molex</b>	MATERIAL NO. <b>SEE BOM</b>	DOCUMENT NO. <b>SD-34899-6001</b>	SHEET NO. 2 OF 11
		mm	INCH																										
	4 PLACES	± 0.10	± 0.004																										
	3 PLACES	± 0.15	± 0.006																										
2 PLACES	± 0.20	± 0.008																											
1 PLACE	± 0.25	± 0.010																											
0 PLACE	± 0.30	± 0.012																											
THIS DRAWING CONTAINS INFORMATION THAT IS PROPRIETARY TO MOLEX INCORPORATED AND SHOULD NOT BE USED WITHOUT WRITTEN PERMISSION																													
SIZE D																													
INCORPORATED AND SHOULD NOT BE USED WITHOUT WRITTEN PERMISSION																													

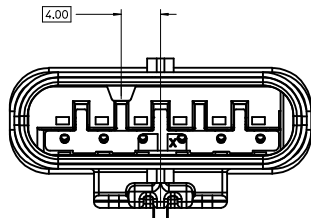
1x6 BLADE SEALED ASSEMBLY KEYING CONFIGURATIONS. FOR PART NUMBERS REFER TO BOM SHEET.



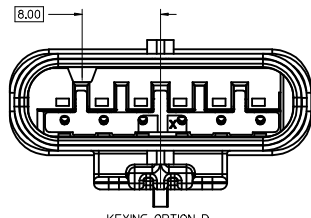
KEYING OPTION A



KEYING OPTION B



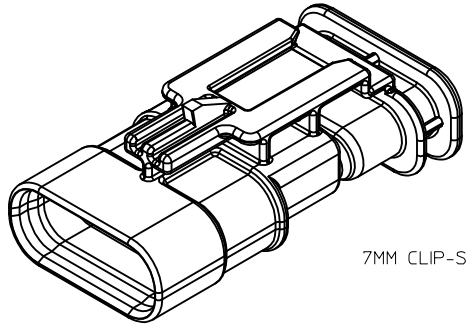
KEYING OPTION C



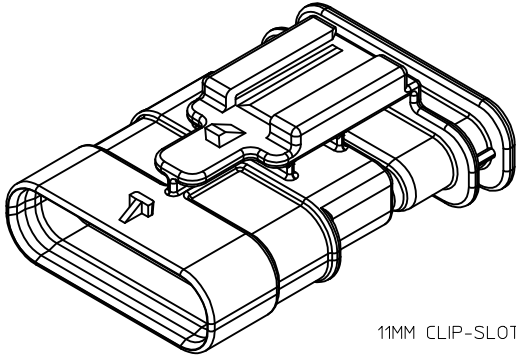
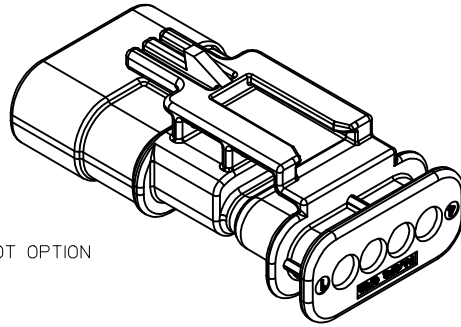
KEYING OPTION D

<b>ENTER DESCRIPTION</b> EC NO: UAU2016-1803 DRAWN: KOKOMALSKY 2016/06/07 CHKD: CHYD APPR: KOKOSKI 2016/06/15 REV: DESCRIPTION	QUALITY SYMBOLS ▽=0 ▽=0 ▽=0		GENERAL TOLERANCES (UNLESS SPECIFIED) mm INCH 4 PLACES ± --- ± --- 3 PLACES ± --- ± --- 2 PLACES ± 0.10 ± --- 1 PLACE ± 0.20 ± --- 0 PLACE ± 0.50 ±		DIMENSION STYLE MM ONLY		SCALE 4:1	DESIGN UNITS METRIC	THIRD ANGLE PROJECTION
	DRAFT WHERE APPLICABLE MUST REMAIN WITHIN DIMENSIONS		ANGULAR ± 3 °		DRAWN BY DATE MYANSLAMBROU 2012/07/13		TITLE 12MM 1X4, 1X6 BLADE SEALED ASSEMBLY CABLE SEAL		
	MATERIAL NO. SEE BOM		APPROVED BY DATE VKOSHY 2012/07/19		APPROVED BY DATE VKOSHY 2012/07/24		DOCUMENT NO. SD-34899-6001		
	SIZE D		THIS DRAWING CONTAINS INFORMATION THAT IS PROPRIETARY TO MOLEX INCORPORATED AND SHOULD NOT BE USED WITHOUT WRITTEN PERMISSION						

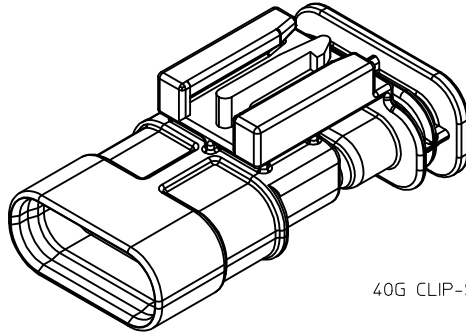
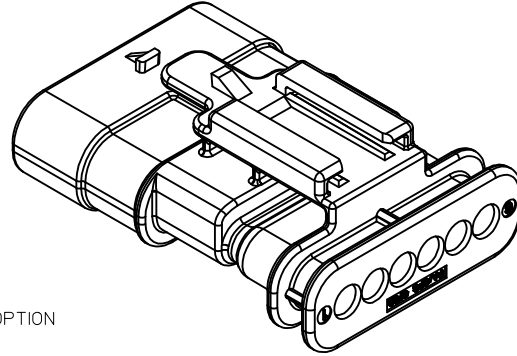
CLIP-SLOT CONFIGURATIONS. FOR PART NUMBERS REFER TO BOM SHEET.



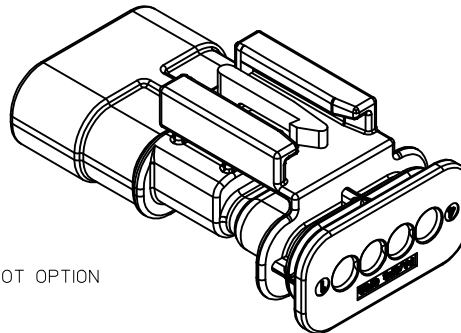
7MM CLIP-SLOT OPTION



11MM CLIP-SLOT OPTION

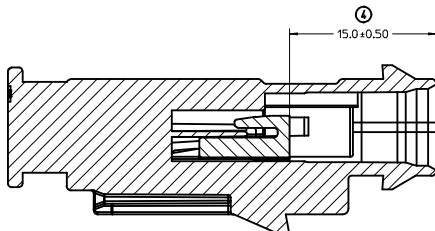
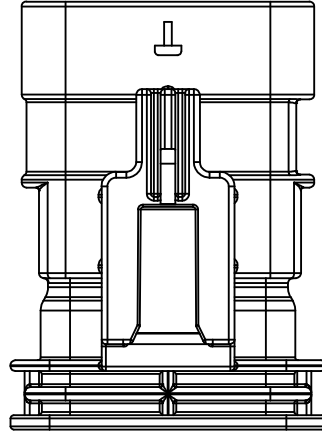
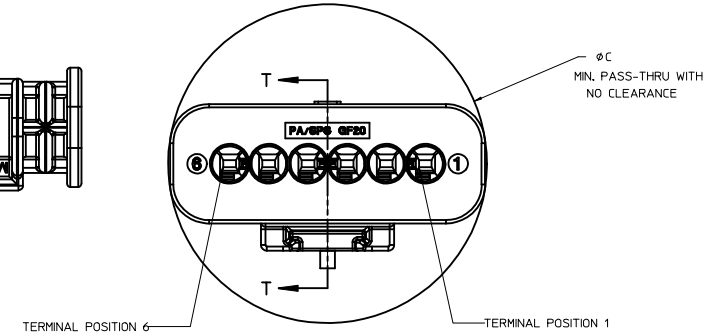
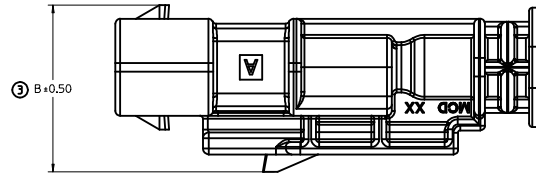
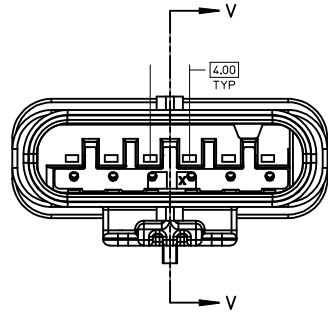
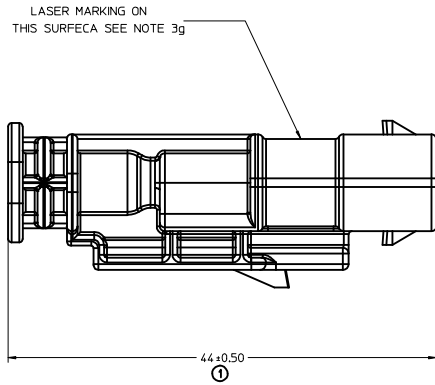


40G CLIP-SLOT OPTION

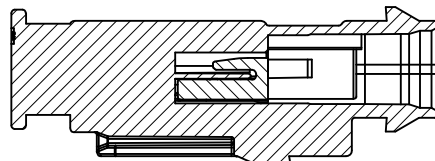


ENTER DESCRIPTION EC NO: UAU2016-1803 DRAWN BY: KOWALSKI CHKD: APPR: KOEKOGLI 2016/06/01 2016/06/15	QUALITY SYMBOLS	GENERAL TOLERANCES (UNLESS SPECIFIED)		DIMENSION STYLE	SCALE	DESIGN UNITS	THIRD ANGLE PROJECTION
	▽=0	mm	INCH	MM ONLY	4:1	METRIC	☉
	▽=0	4 PLACES ± ---	± ---	DRAWN BY: MYANSLAMBROU		DATE: 2012/07/13	TITLE: 12MM 1X4, 1X6 BLADE SEALED ASSEMBLY CABLE SEAL
	▽=0	3 PLACES ± 0.10	± ---	CHECKED BY: VKOSHY		DATE: 2012/07/19	<b>molex</b> MATERIAL NO. SEE BOM DOCUMENT NO. SD-34899-6001
▽=0	2 PLACES ± 0.20	± ---	APPROVED BY: VKOSHY		DATE: 2012/07/24	SHEET NO. 4 OF 11	
		1 PLACE ± 0.50	±	DRAFT WHERE APPLICABLE MUST REMAIN WITHIN DIMENSIONS			
		0 PLACE ± 0.50	±	THIS DRAWING CONTAINS INFORMATION THAT IS PROPRIETARY TO MOLEX INCORPORATED AND SHOULD NOT BE USED WITHOUT WRITTEN PERMISSION			

BLADE SEALED ASSEMBLY



SECTION V-V



SECTION T-T

PRIMARY LOCK REINFORCEMENT (PLR) SHOWN IN THE PRE-STAGED POSITION

PRIMARY LOCK REINFORCEMENT (PLR) SHOWN IN THE FINAL-LOCK POSITION

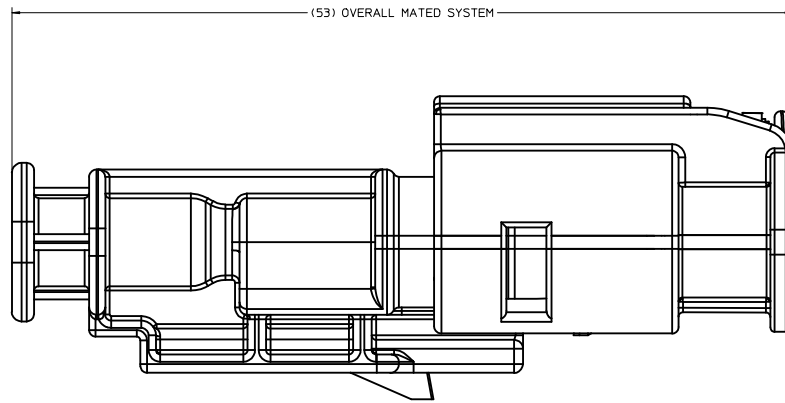
1x6 BLADE SEALED ASSEMBLY, 40G CLIP SLOT	17.5	32.75
1x6 BLADE SEALED ASSEMBLY, 11mm CLIP SLOT	16	32.75
1x6 BLADE SEALED ASSEMBLY, 7mm CLIP SLOT	17.25	32.75
1x4 BLADE SEALED ASSEMBLY, 40G CLIP SLOT	17.5	25.25
1x4 BLADE SEALED ASSEMBLY, 11mm CLIP SLOT	16	24.75
1x4 BLADE SEALED ASSEMBLY, 7mm CLIP SLOT	17.25	24.75
CONFIGURATION	B	C

CHARTED DIMENSIONS

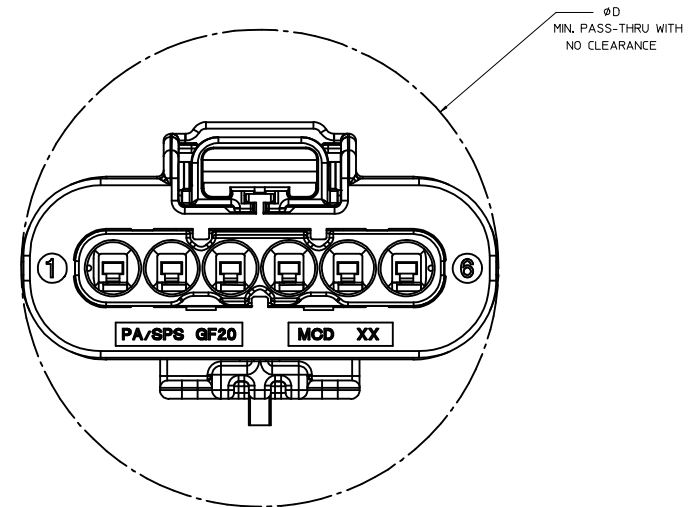
<b>ENTER DESCRIPTION</b> EC NO. UAU2016-1803 DRAWN: KOKALSKY 2016/06/01 CHKD: APPR: KOEKOGLI 2016/06/15	QUALITY SYMBOLS	GENERAL TOLERANCES (UNLESS SPECIFIED)	DIMENSION STYLE	SCALE	DESIGN UNITS	THIRD ANGLE PROJECTION
	∇=0 ∇=0 ∇=0	mm INCH 4 PLACES ± --- ± --- 3 PLACES ± --- ± --- 2 PLACES ± 0.10 ± --- 1 PLACE ± 0.20 ± --- 0 PLACE ± 0.50 ±	MM ONLY	4:1	METRIC	
	DRAFT WHERE APPLICABLE MUST REMAIN WITHIN DIMENSIONS	ANGULAR ± 3 °	DRAWN BY DATE MYANSLAMBROU 2012/07/13 CHECKED BY DATE VKOSHY 2012/07/19 APPROVED BY DATE VKOSHY 2012/07/24	MATERIAL NO. SEE BOM	DOCUMENT NO. SD-34899-6001	SHEET NO. 5 OF 11
				TITLE 12MM 1X4, 1X6 BLADE SEALED ASSEMBLY CABLE SEAL molex		



CONNECTION SYSTEM PACKAGING



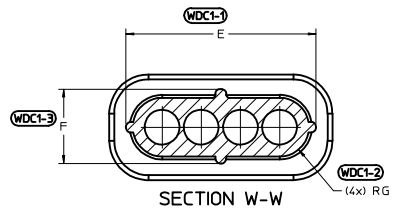
MODEL USED 'AM-120-S-006-1-Z01'



1x6 RECEPTACLE MATED TO 1x6 BLADE, 40 CLIP SLOT	TBD
1x6 RECEPTACLE MATED TO 1x6 BLADE, 11mm CLIP SLOT	33.5
1x6 RECEPTACLE MATED TO 1x6 BLADE, 7mm CLIP SLOT	33.5
1x4 RECEPTACLE MATED TO 1x4 BLADE, 40G CLIP SLOT	25.50
1x4 RECEPTACLE MATED TO 1x4 BLADE, 11mm CLIP SLOT	25.50
1x4 RECEPTACLE MATED TO 1x4 BLADE, 7mm CLIP SLOT	25.50
1.2mm CONNECTION SYSTEM CONFIGURATION	D

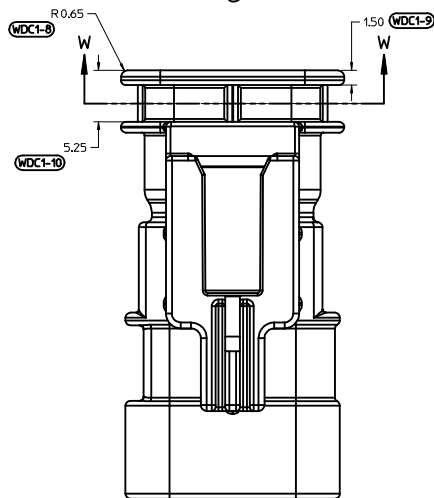
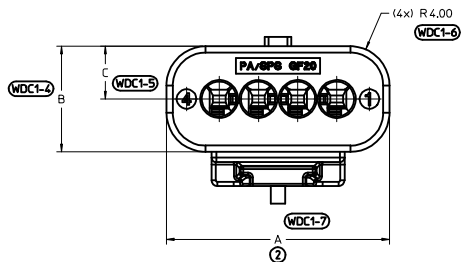
CHARTED DIMENSIONS

<b>ENTER DESCRIPTION</b> EC NO: UAU2016-1803 DRAWN: KOMALSKY 2016/06/01 CHKD: APPR: KOEKOGLI 2016/06/15 REV: DESCRIPTION	QUALITY SYMBOLS	GENERAL TOLERANCES (UNLESS SPECIFIED)	DIMENSION STYLE	SCALE	DESIGN UNITS	THIRD ANGLE PROJECTION
	▽=0	mm INCH	MM ONLY	6:1	METRIC	☉
	▽=0	4 PLACES ± --- ± ---	DRAWN BY DATE	TITLE		
	▽=0	3 PLACES ± --- ± ---	MYANSLAMBROU 2012/07/13	12MM 1X4, 1X6 BLADE SEALED ASSEMBLY CABLE SEAL		
	2 PLACES ± 0.10 ± ---	CHECKED BY DATE	MATERIAL NO.			SHEET NO.
	1 PLACE ± 0.20 ± ---	VKOSHY 2012/07/19	SEE BOM			6 OF 11
	0 PLACE ± 0.50 ±	APPROVED BY DATE	DOCUMENT NO.			
	ANGULAR ± 3 °	VKOSHY 2012/07/24	SD-34899-6001			
	DRAFT WHERE APPLICABLE MUST REMAIN WITHIN DIMENSIONS		THIS DRAWING CONTAINS INFORMATION THAT IS PROPRIETARY TO MOLEX INCORPORATED AND SHOULD NOT BE USED WITHOUT WRITTEN PERMISSION			

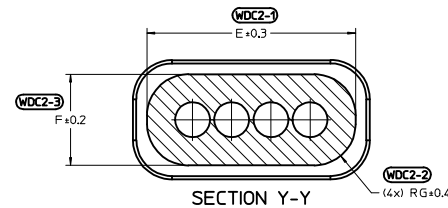


6 CIRCUIT	30.8	10.8	5.4	27.4	7.6	3.0
4 CIRCUIT	22.8	10.8	5.4	19.4	7.6	3.0
CONFIGURATION	A	B	C	E	F	G

CHARTED DIMENSIONS

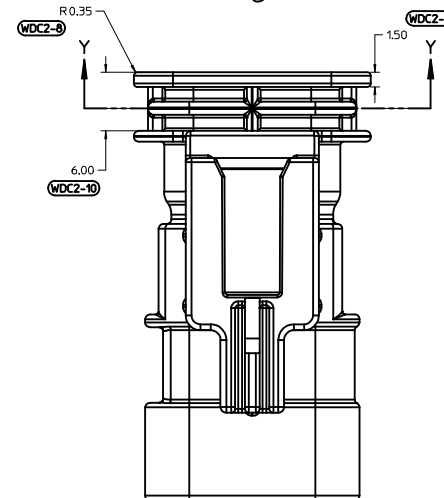
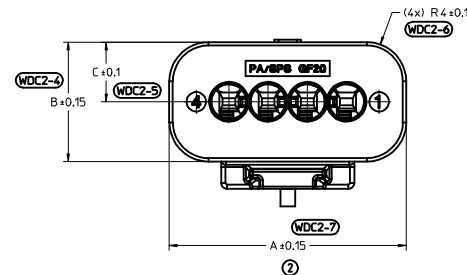


WIRE DRESS COVER  
INTERFACE OPTION 1  
WIRE DRESS COVERS  
NOT AVAILABLE



6 CIRCUIT	32.2	12.2	6.1	29.3	9.3	4.2
4 CIRCUIT	24.2	12.2	6.1	21.3	9.3	4.2
CONFIGURATION	A	B	C	E	F	G

CHARTED DIMENSIONS



WIRE DRESS COVER  
INTERFACE OPTION 2  
BASED ON HIRSCHMANN INTERFACE  
DRAWING 808-012-xxx REV B5

<b>ENTER DESCRIPTION</b> EC NO. UAU2016-1803 DRAWN BY KOWALSKI 2016/06/01 CHKD: APPR: KOKOSKI 2016/06/15	<b>QUALITY SYMBOLS</b> ∇=0 ∇=0 ∇=0	<b>GENERAL TOLERANCES (UNLESS SPECIFIED)</b>		<b>DIMENSION STYLE</b> MM ONLY	<b>SCALE</b> 4:1	<b>DESIGN UNITS</b> METRIC	THIRD ANGLE PROJECTION		
		4 PLACES ± --- ± --- 3 PLACES ± --- ± --- 2 PLACES ± 0.10 ± --- 1 PLACE ± 0.20 ± --- 0 PLACE ± 0.50 ±	mm    INCH	DRAWN BY    DATE MYANSLAMBROU 2012/07/13	CHECKED BY    DATE VKOSHY 2012/07/19	<b>TITLE</b> 12MM 1X4, 1X6 BLADE SEALED ASSEMBLY CABLE SEAL			
		ANGULAR ± 3 ° DRAFT WHERE APPLICABLE MUST REMAIN WITHIN DIMENSIONS		APPROVED BY    DATE VKOSHY 2012/07/24	MATERIAL NO. SEE TABLE	DOCUMENT NO. SD-34899-6001	SHEET NO. 7 OF 11		
		SIZE D THIS DRAWING CONTAINS INFORMATION THAT IS PROPRIETARY TO MOLEX INCORPORATED AND SHOULD NOT BE USED WITHOUT WRITTEN PERMISSION							



1x4 BLADE SEALED ASSEMBLY BOM  
 FOR WIRE DRESS COVER INTERFACE 2  
 REFER WIRE DRESS INTERFACE SHEET  
 FOR DETAILS

KEYING OPTION A, 40G CLIP SLOT, BLACK	34899-4060																				A	TOOLED BUT NOT VALIDATED	
KEYING OPTION A, 40G CLIP SLOT, YELLOW	34899-4050																					A	TOOLED BUT NOT VALIDATED
KEYING OPTION G, 7mm CLIP SLOT, LIGHT GRAY	34899-4086																					F	SALEABLE
KEYING OPTION F, 7mm CLIP SLOT, BLACK	34899-4085																					F	SALEABLE
KEYING OPTION E, 7mm CLIP SLOT, DARK GRAY	34899-4084																					E	SALEABLE
KEYING OPTION D, 7mm CLIP SLOT, LIGHT GRAY	34899-4083																					D	SALEABLE
KEYING OPTION C, 7mm CLIP SLOT, DARK GRAY	34899-4082																					C	SALEABLE
KEYING OPTION B, 7mm CLIP SLOT, STONE GRAY	34899-4081																					B	SALEABLE
KEYING OPTION A, 7mm CLIP SLOT, BLACK	34899-4080																					A	SALEABLE
KEYING OPTION G, 7mm CLIP SLOT, YELLOW	34899-4076																					G	SALEABLE
KEYING OPTION F, 7mm CLIP SLOT, YELLOW	34899-4075																					F	SALEABLE
KEYING OPTION E, 7mm CLIP SLOT, YELLOW	34899-4074																					E	SALEABLE
KEYING OPTION D, 7mm CLIP SLOT, YELLOW	34899-4073																					D	SALEABLE
KEYING OPTION C, 7mm CLIP SLOT, YELLOW	34899-4072																					C	SALEABLE
KEYING OPTION B, 7mm CLIP SLOT, YELLOW	34899-4071																					B	SALEABLE
KEYING OPTION A, 7mm CLIP SLOT, YELLOW	34899-4070																					A	SALEABLE

ASSEMBLY DESCRIPTION	ASSEMBLY PART NUMBER	PLR	TOOLING	PRODUCTION TOOL STATUS	COMMENTS
----------------------	----------------------	-----	---------	------------------------	----------

PLR	NATURAL	SPS/NYLON GF20
1x4 CONNECTOR HOUSING, KEYING OPTION A 40G CLIP SLOT	BLACK	SPS/NYLON GF20
1x4 CONNECTOR HOUSING, KEYING OPTION A 40G CLIP SLOT	YELLOW	SPS/NYLON GF20
1x4 CONNECTOR HOUSING, KEYING OPTION G 7mm CLIP SLOT	LIGHT GRAY	SPS/NYLON GF20
1x4 CONNECTOR HOUSING, KEYING OPTION F 7mm CLIP SLOT	BLACK	SPS/NYLON GF20
1x4 CONNECTOR HOUSING, KEYING OPTION E 7mm CLIP SLOT	DARK GRAY	SPS/NYLON GF20
1x4 CONNECTOR HOUSING, KEYING OPTION D 7mm CLIP SLOT	LIGHT GRAY	SPS/NYLON GF20
1x4 CONNECTOR HOUSING, KEYING OPTION C 7mm CLIP SLOT	DARK GRAY	SPS/NYLON GF20
1x4 CONNECTOR HOUSING, KEYING OPTION B 7mm CLIP SLOT	STONE GRAY	SPS/NYLON GF20
1x4 CONNECTOR HOUSING, KEYING OPTION A 7mm CLIP SLOT	BLACK	SPS/NYLON GF20
1x4 CONNECTOR HOUSING, KEYING OPTION G 7mm CLIP SLOT	YELLOW	SPS/NYLON GF20
1x4 CONNECTOR HOUSING, KEYING OPTION F 7mm CLIP SLOT	YELLOW	SPS/NYLON GF20
1x4 CONNECTOR HOUSING, KEYING OPTION E 7mm CLIP SLOT	YELLOW	SPS/NYLON GF20
1x4 CONNECTOR HOUSING, KEYING OPTION D 7mm CLIP SLOT	YELLOW	SPS/NYLON GF20
1x4 CONNECTOR HOUSING, KEYING OPTION C 7mm CLIP SLOT	YELLOW	SPS/NYLON GF20
1x4 CONNECTOR HOUSING, KEYING OPTION B 7mm CLIP SLOT	YELLOW	SPS/NYLON GF20
1x4 CONNECTOR HOUSING, KEYING OPTION A 7mm CLIP SLOT	YELLOW	SPS/NYLON GF20

DESCRIPTION	COLOR	MATERIAL
BOM/APPLICABLE COMPONENTS TABLE		

ABBREVIATION	COMPONENT
A	CONNECTOR HOUSING KEYING OPTION A
B	CONNECTOR HOUSING KEYING OPTION B
C	CONNECTOR HOUSING KEYING OPTION C
D	CONNECTOR HOUSING KEYING OPTION D
E	CONNECTOR HOUSING KEYING OPTION E
F	CONNECTOR HOUSING KEYING OPTION F
G	CONNECTOR HOUSING KEYING OPTION G
PLR	PLR

<b>ENTER DESCRIPTION</b> EC NO. UAU2016-1803 DRAWN:KUMALSKY 2016/06/07 CHKD: APPR:KOEGSKI 2016/06/15 REV:	QUALITY SYMBOLS ∇=0 ∇=0 ∇=0	GENERAL TOLERANCES (UNLESS SPECIFIED) <table border="1"> <tr><td></td><td>mm</td><td>INCH</td></tr> <tr><td>4 PLACES</td><td>±.00</td><td>±.00</td></tr> <tr><td>3 PLACES</td><td>±.01</td><td>±.00</td></tr> <tr><td>2 PLACES</td><td>±0.10</td><td>±.00</td></tr> <tr><td>1 PLACE</td><td>±0.20</td><td>±.00</td></tr> <tr><td>0 PLACE</td><td>±0.50</td><td>±.00</td></tr> </table> ANGULAR ± 3 ° DRAFT WHERE APPLICABLE MUST REMAIN WITHIN DIMENSIONS		mm	INCH	4 PLACES	±.00	±.00	3 PLACES	±.01	±.00	2 PLACES	±0.10	±.00	1 PLACE	±0.20	±.00	0 PLACE	±0.50	±.00	DIMENSION STYLE <b>MM ONLY</b>	SCALE DESIGN UNITS <b>METRIC</b>	THIRD ANGLE PROJECTION 	DRAWN BY MYANSLAMBROU 2012/07/13 DATE CHECKED BY VKOSHY 2012/07/19 DATE APPROVED BY VKOSHY 2012/07/24 DATE	TITLE <b>12MM 1X4, 1X6 BLADE SEALED ASSEMBLY CABLE SEAL</b>	MATERIAL NO. <b>SEE BOM</b>	DOCUMENT NO. <b>SD-34899-6001</b>	SHEET NO. 9 OF 11
			mm	INCH																								
		4 PLACES	±.00	±.00																								
		3 PLACES	±.01	±.00																								
2 PLACES	±0.10	±.00																										
1 PLACE	±0.20	±.00																										
0 PLACE	±0.50	±.00																										
THIS DRAWING CONTAINS INFORMATION THAT IS PROPRIETARY TO MOLEX INCORPORATED AND SHOULD NOT BE USED WITHOUT WRITTEN PERMISSION																												





TABLE OF CONTENTS

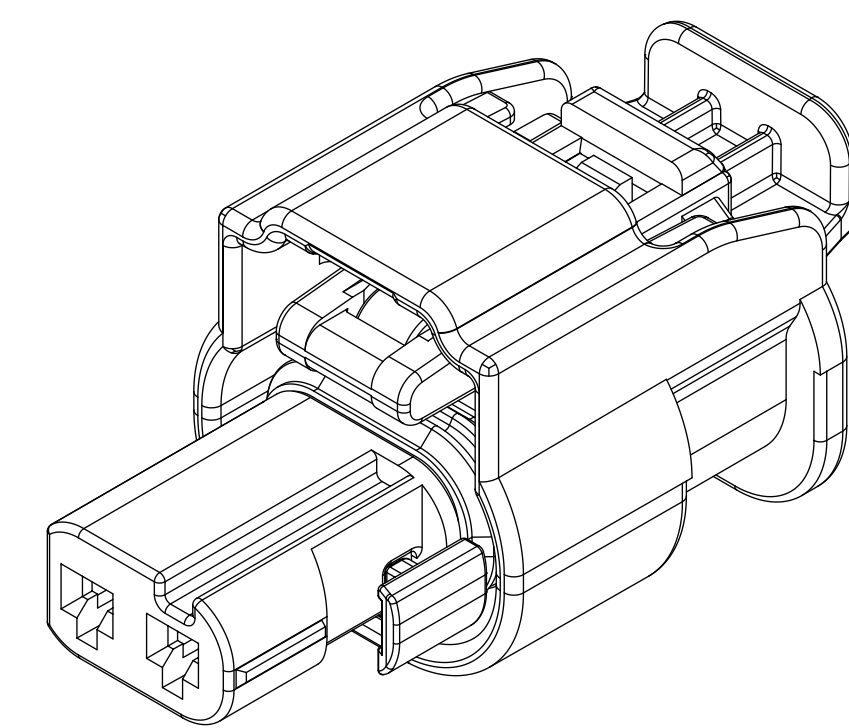
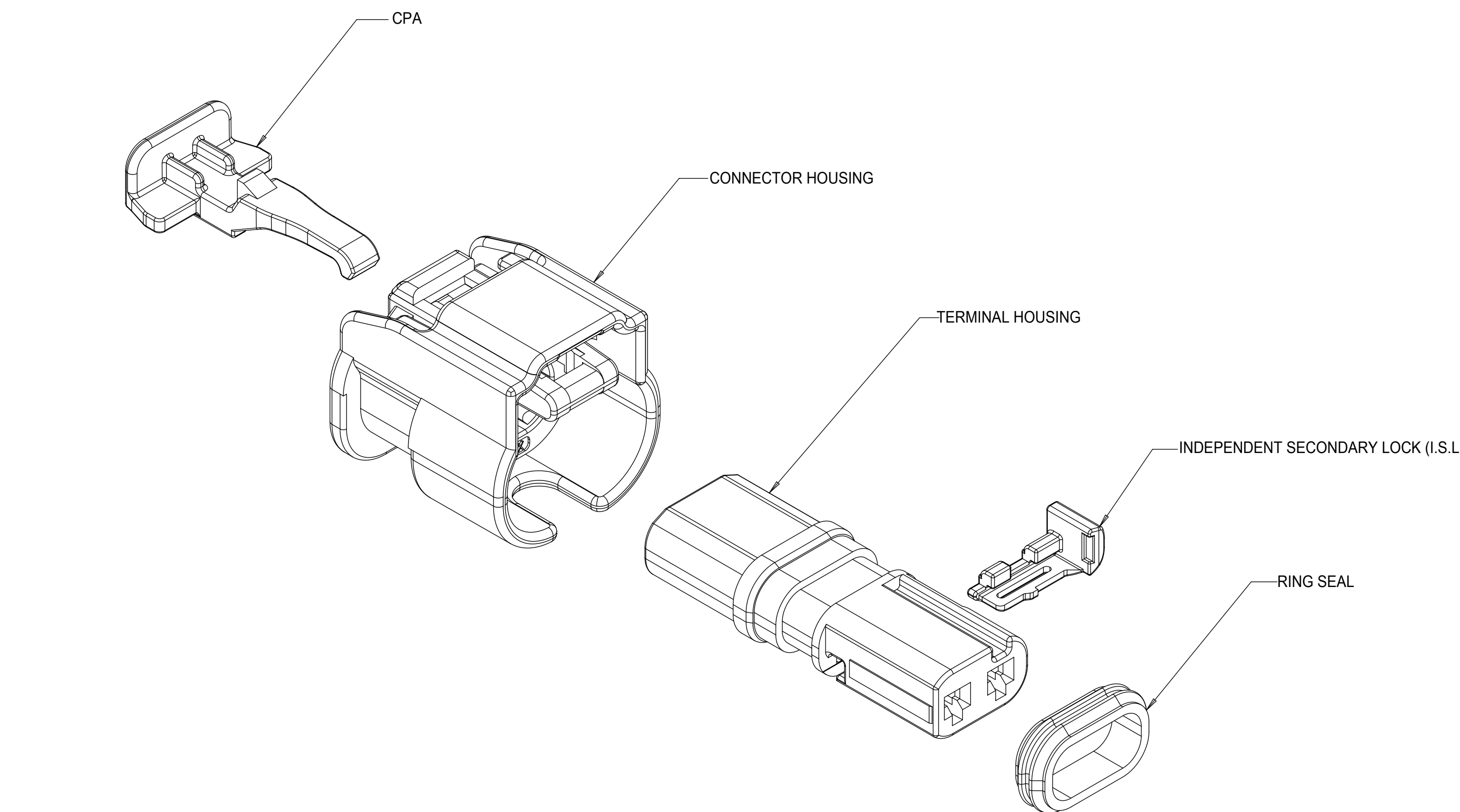
SHEET NO.	SHEET DESCRIPTION
1	NOTES
2	1x2 RECEPTACLE SEALED ASSEMBLY KEYING CONFIGURATIONS
3	1x3 RECEPTACLE SEALED ASSEMBLY KEYING CONFIGURATIONS
4	RECEPTACLE SEALED ASSEMBLY
5	1x2 RECEPTACLE SEALED ASSEMBLY BOM SHEET 1
6	1x3 RECEPTACLE SEALED ASSEMBLY BOM SHEET 1
7	OBSOLETE PART NUMBERS

NOTES: VALID UNLESS OTHERWISE SPECIFIED

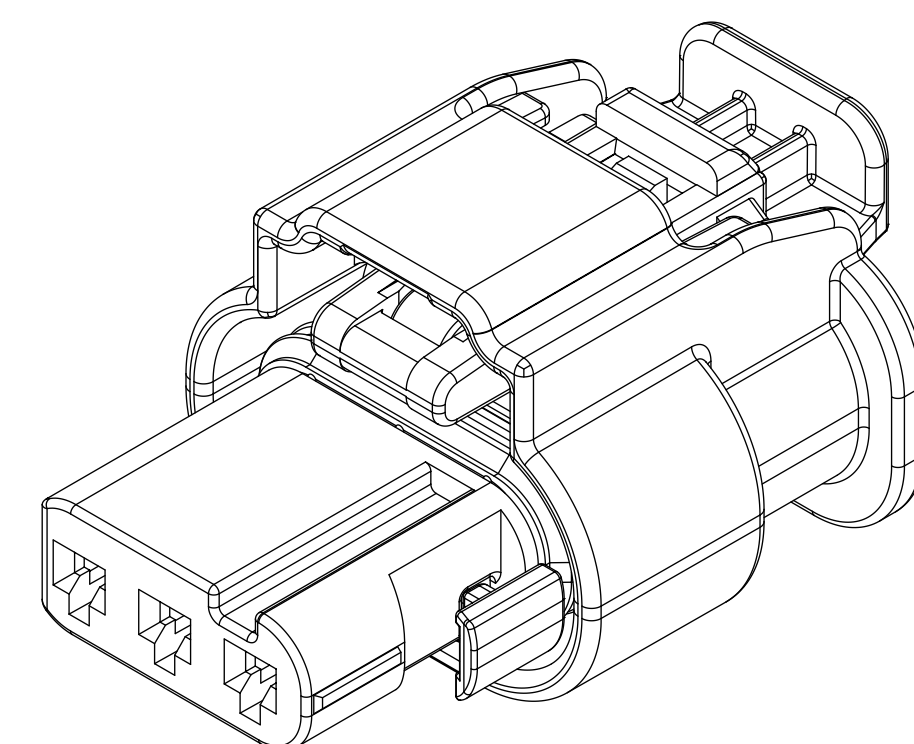
1. GENERAL:
  - a. APPLICATION SPECIFICATION SEE: AS-34900-0001  
CONTAINS: PRODUCT INTRODUCTION, PRODUCT SUMMARY, CONNECTOR ASSEMBLY, PACKAGING INFORMATION, CONNECTOR MATING, SERVICE INSTRUCTIONS, ELECTRICAL CONTINUITY CHECKING, CRIMPING, AND TROUBLESHOOTING.
  - b. PRODUCT SPECIFICATION SEE: PS-34900-0001  
CONTAINS: PRODUCT INTRODUCTION, PRODUCT SUMMARY, RATINGS (CURRENT, TEMPERATURE, SEALING, AND FLAMMABILITY), AND PRODUCT VALIDATION.
  - c. PACKAGING SPECIFICATION PER MOLEX DRAWING: PK-31301-898
  - d. PARTS MUST BE IN COMPLIANCE TO MOLEX CHEMICAL SUBSTANCES FOR PRODUCTS AND PACKAGING SPECIFICATION: ES-40000-5016
  - e. DATA MUST BE SUBMITTED UNDER THE MOLEX PART NUMBER TO IMDS (COMPANY ID#13255)
  - f. DESIGNED TO MATE WITH DEVICE CONNECTION AS SPECIFIED IN BOM CHART  
USCAR DRAWINGS AND MODELS ARE AVAILABLE AT <http://ewcap.uscarteams.org/>.

2. DESIGN - MATERIALS:
  - a. SEE BOM TABLE

3. DESIGN - GEOMETRY:
  - a. THIS IS A 100% CAD GENERATED PART. THE CAD MATHEMATICAL DATA IS THE MASTER FOR THIS PART. FOR DIMENSIONAL OR ANY INFORMATION NOT SHOWN ON THIS DRAWING, ANALYZE THE CAD MODEL.
  - b. GEOMETRIC DIMENSIONS AND TOLERANCES PER ASME Y14.5M - 1994
  - c. EDGES AND UNDIMENSIONED DETAILS PER ISO13715
  - d. CORNERS SHOWN AS SHARP TO BE R 0.2 MAX.
  - e. LETTERING SHALL BE 0.15 MAX RAISED IN 0.25 MAX RECESS PAD.  
THIS INCLUDES RECYCLING CODE, CAVITY ID, VENDOR IDENTIFICATION, AND CUSTOMER MATERIAL NUMBER.
  - f. VISUAL DEFECTS SHALL MEET COSMETIC STANDARD PS-45499-002 (Class B)
  - g. LASER MARKING:
    1. PART NUMBER
    2. DAY OF THE YEAR
    3. SHIFT
    4. YEAR



1x2 RECEPTACLE SEALED ASSEMBLY

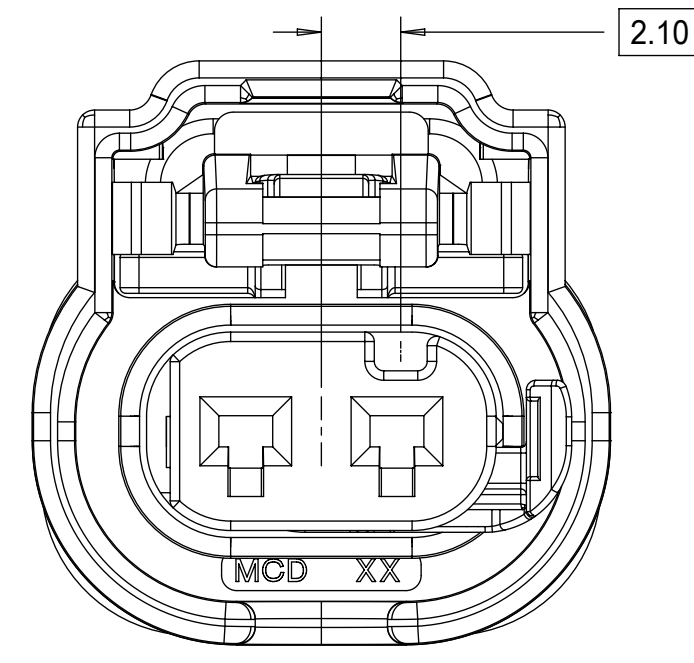


1x3 RECEPTACLE SEALED ASSEMBLY

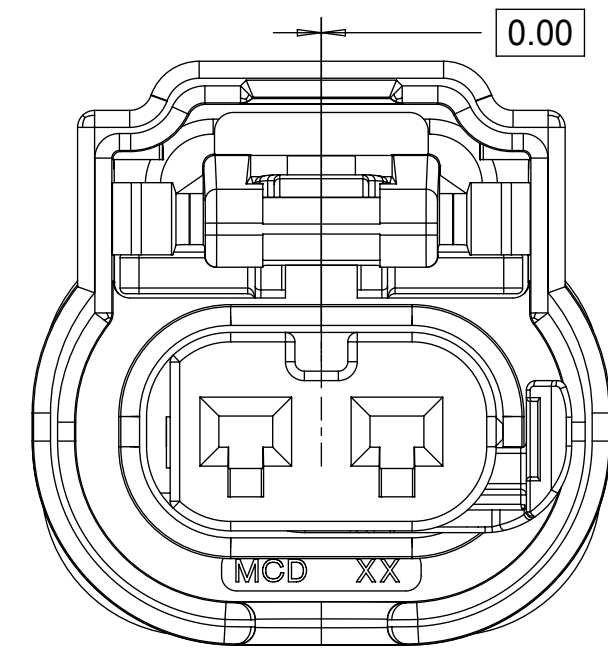
C6	CHANGED 1X2 KEY E STATUS
C5	CHANGED CPA2 TO CPA3
C4	ADDED WIRE DRESS COVERS
C3	ADDED CPA2 PNs
C2	UPDATED STATUS OF PNs
C1	- NX-REMASTERING FROM MODEL MANAGER - 1X2 KEY C MADE SALEABLE
C	34900-3127 RELEASED AS SALEABLE
B	PRIMARY KEYS (A,B) MOVED TO SALEABLE
A10	ADDED 1X3 SEVERE VIBRATION PART NUMBER
A9	1X2 AND 1X3 PART # UPDATED DIMENSION 2 UPDATED
A8	1X2 PART # UPDATED TO "TOOLED BUT NOT VALIDATED"
A7	1X2 PART # UPDATED TO "TOOLED BUT NOT VALIDATED"
A6	ADDED NEW PART NUMBERS FOR LATCH IMPROVEMENT
A5	BOM CORRECTIONS AND UPDATES
A4	BOM CORRECTIONS AND UPDATES
A3	1x2, 1x3 NON-SIR OK TO TOOL
A2	MINOR BOM CORRECTIONS
A1	ADDED COMPONENTS TO BOM
A	ADDED BLACK PART NUMBERS AND MINOR BOM UPDATES
3	ADDED 1x3
2	MINOR BOM CORRECTIONS
1	INITIAL RELEASE
REV	DESCRIPTION

QUALITY SYMBOLS	THIS DRAWING CONTAINS INFORMATION THAT IS PROPRIETARY TO MOLEX ELECTRONIC TECHNOLOGIES, LLC AND SHOULD NOT BE USED WITHOUT WRITTEN PERMISSION		DIMENSION UNITS	SCALE
▽ = 0	2019/11/22	GENERAL TOLERANCES (UNLESS SPECIFIED)	mm	4:1
▽ = 0	2019/12/02	ANGULAR TOL ± 3.0 °	DRWN BY	DATE
▽ = 0	2019/12/02	4 PLACES ±	MVANSLAMBROU	2012/02/15
▽ = 0		3 PLACES ±	CHKD BY	DATE
▽ = 0		2 PLACES ± 0.1		2013/11/06
▽ = 0		1 PLACE ± 0.2	APPR BY	DATE
▽ = 0		0 PLACES ± 0.5	GGA	2012/12/13
▽ = 0		DRAFT WHERE APPLICABLE MUST REMAIN WITHIN DIMENSIONS	DRAWING SIZE	THIRD ANGLE PROJECTION
▽ = 0			D	
	EC NO: 627959		SERIES: 34900 MATERIAL NUMBER: SEE TABLE CUSTOMER: GENERAL MARKET	
	DRWN: GELLIOTTO1		DOCUMENT NUMBER: SD-34900-2001 DOC TYPE: PSD DOC PART: 001 SHEET NUMBER: 1 OF 7	
	CHKD: KBORUSZEWSKI			
	REV: APPR: KBORUSZEWSKI			

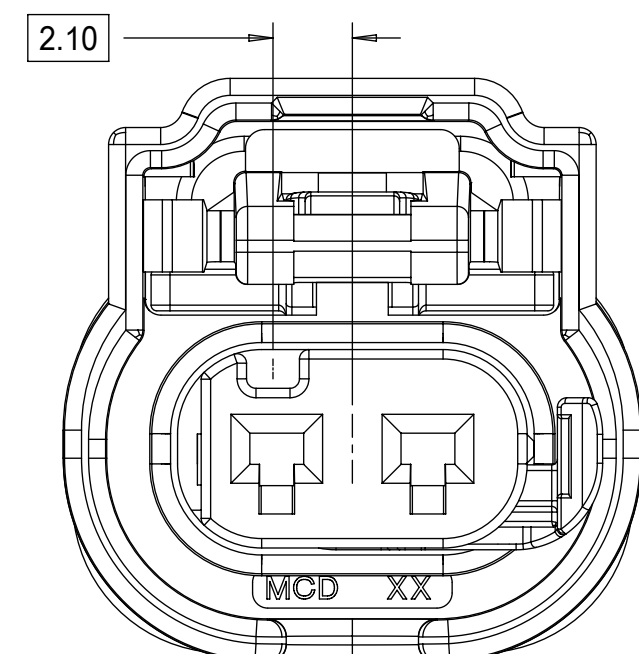
1x2 RECEPTACLE SEALED ASSEMBLY KEYING CONFIGURATIONS. FOR PART NUMBERS REFER TO BOM SHEET.



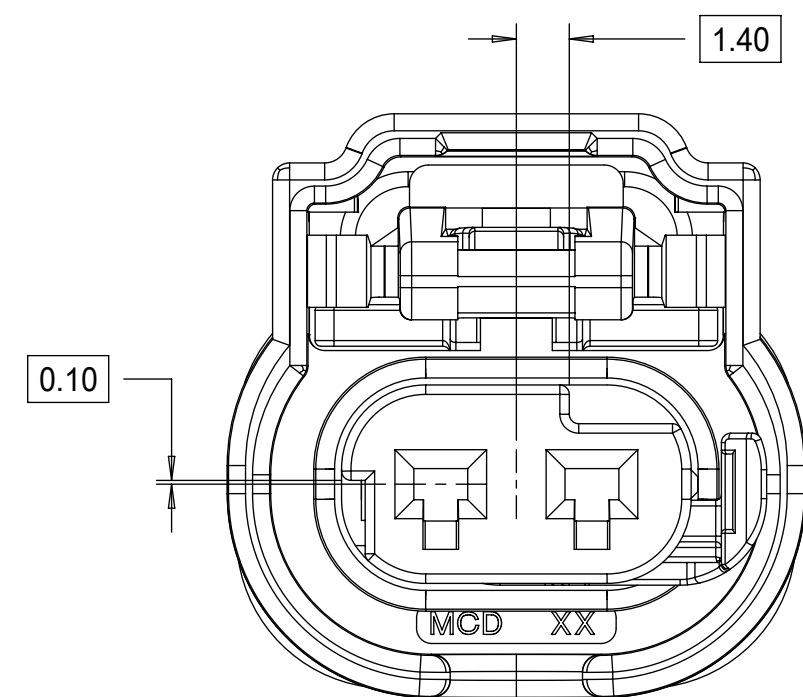
KEYING OPTION A



KEYING OPTION B



KEYING OPTION C

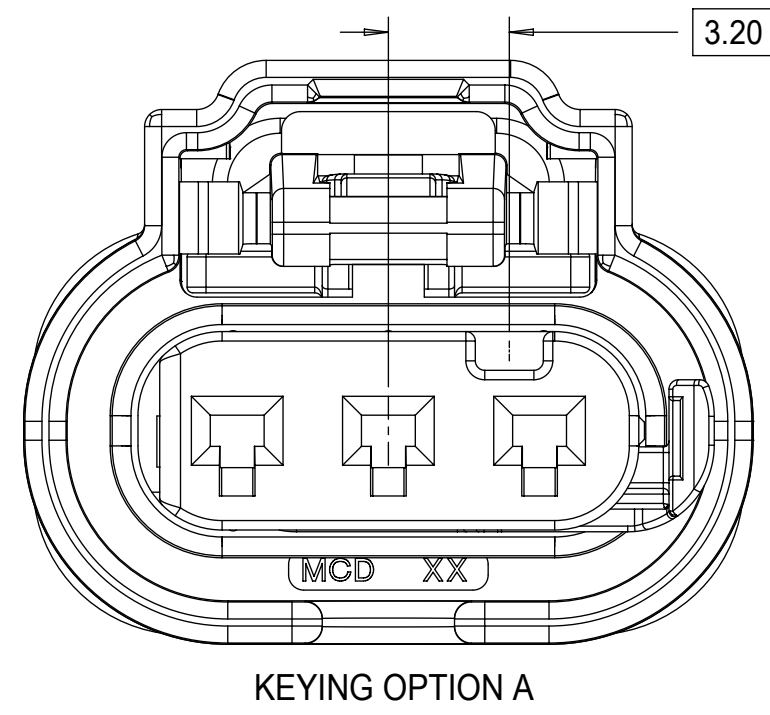


KEYING OPTION E

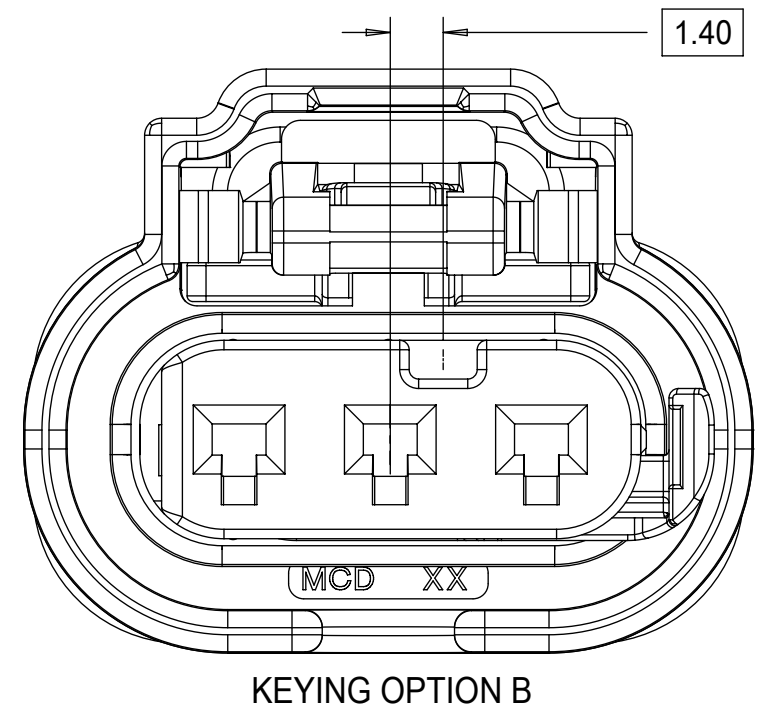
QUALITY SYMBOLS		THIS DRAWING CONTAINS INFORMATION THAT IS PROPRIETARY TO MOLEX ELECTRONIC TECHNOLOGIES, LLC AND SHOULD NOT BE USED WITHOUT WRITTEN PERMISSION												
	= 0	EC NO: 627959 DRWN: GELLIOTTO1 CHKD: KBORUSZEWSKI REV APPR: KBORUSZEWSKI	GENERAL TOLERANCES (UNLESS SPECIFIED)		DIMENSION UNITS	SCALE								
	= 0		ANGULAR TOL ± 3.0 °		mm	5:1								
	= 0		4 PLACES ±	DRWN BY		DATE	1.2MM 1X2, 1X3 RECPT. SEALED ASSEMBLY CABLE SEAL 621905: ADDED CPA2 PNS, RE-ADDED PNS USING TERMINAL H							
	= 0		3 PLACES ±	CHKD BY		DATE								
	= 0		2 PLACES ± 0.1	APPR BY		DATE	PRODUCT CUSTOMER DRAWING							
	= 0	1 PLACE ± 0.2	GGA		2012/12/13	SERIES	MATERIAL NUMBER	CUSTOMER						
	= 0	0 PLACES ± 0.5	DRAFT WHERE APPLICABLE MUST REMAIN WITHIN DIMENSIONS		DRAWING SIZE	THIRD ANGLE PROJECTION	34900	SEE BOM	GENERAL MARKET					
	= 0				D		DOCUMENT NUMBER	SD-34900-2001	DOC TYPE	PSD	DOC PART	001	SHEET NUMBER	2 OF 7



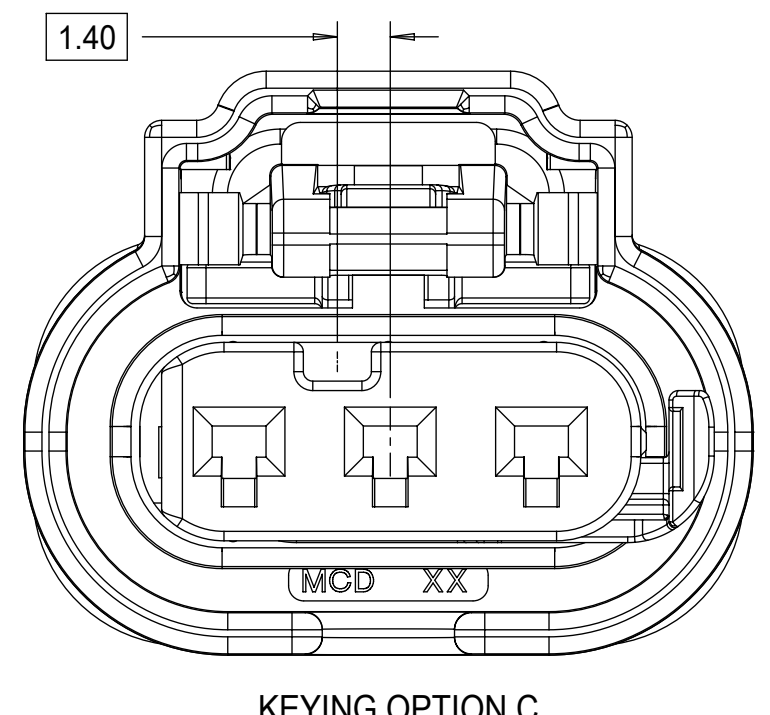
1x3 RECEPTACLE SEALED ASSEMBLY KEYING CONFIGURATIONS. FOR PART NUMBERS REFER TO BOM SHEET.



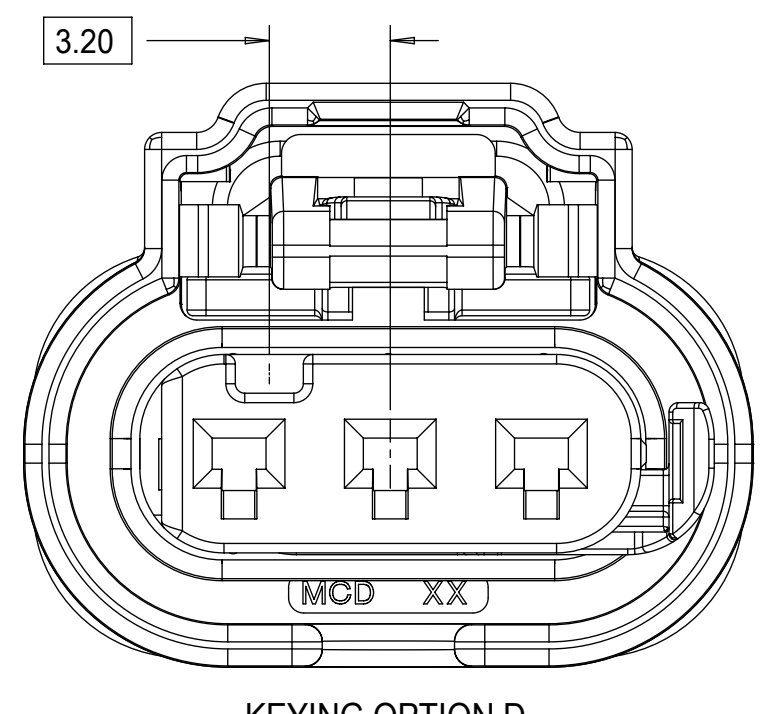
KEYING OPTION A



KEYING OPTION B

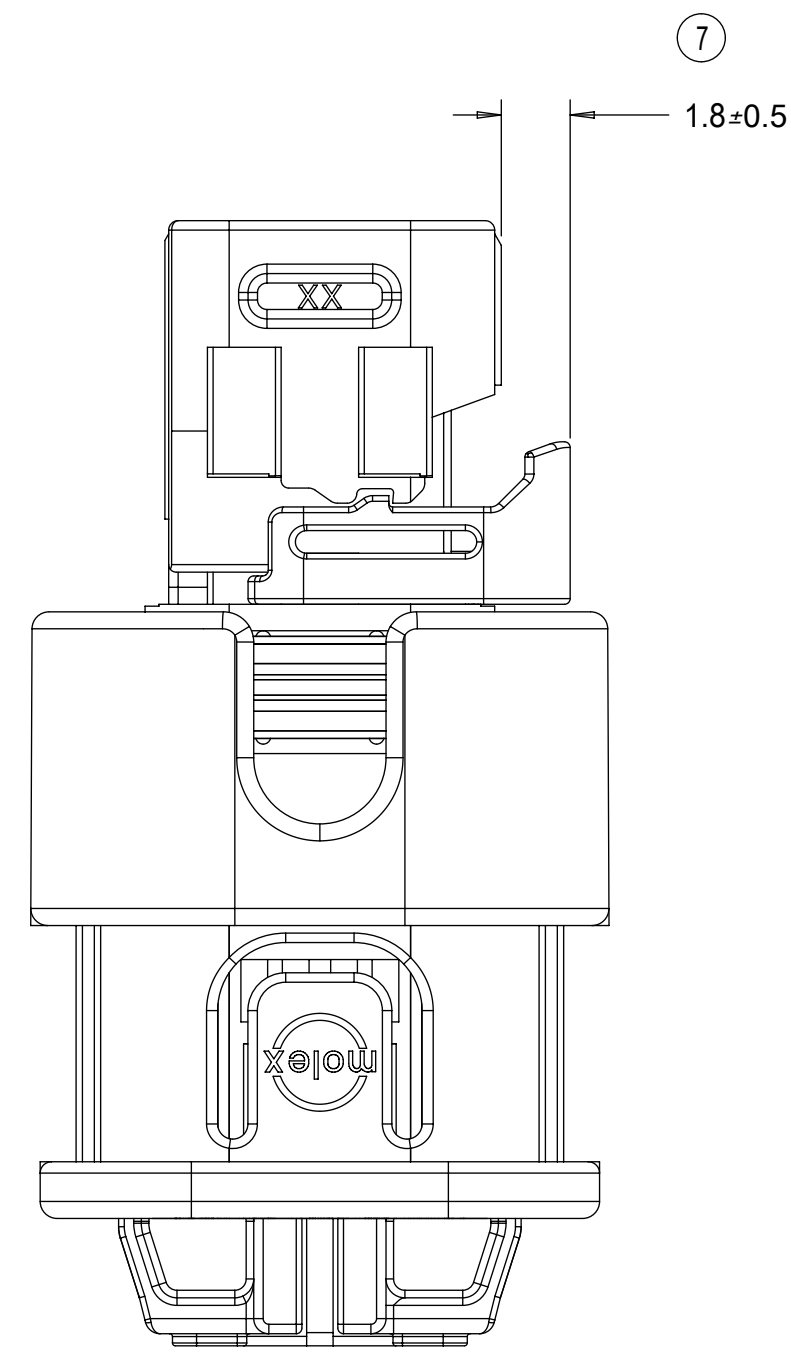
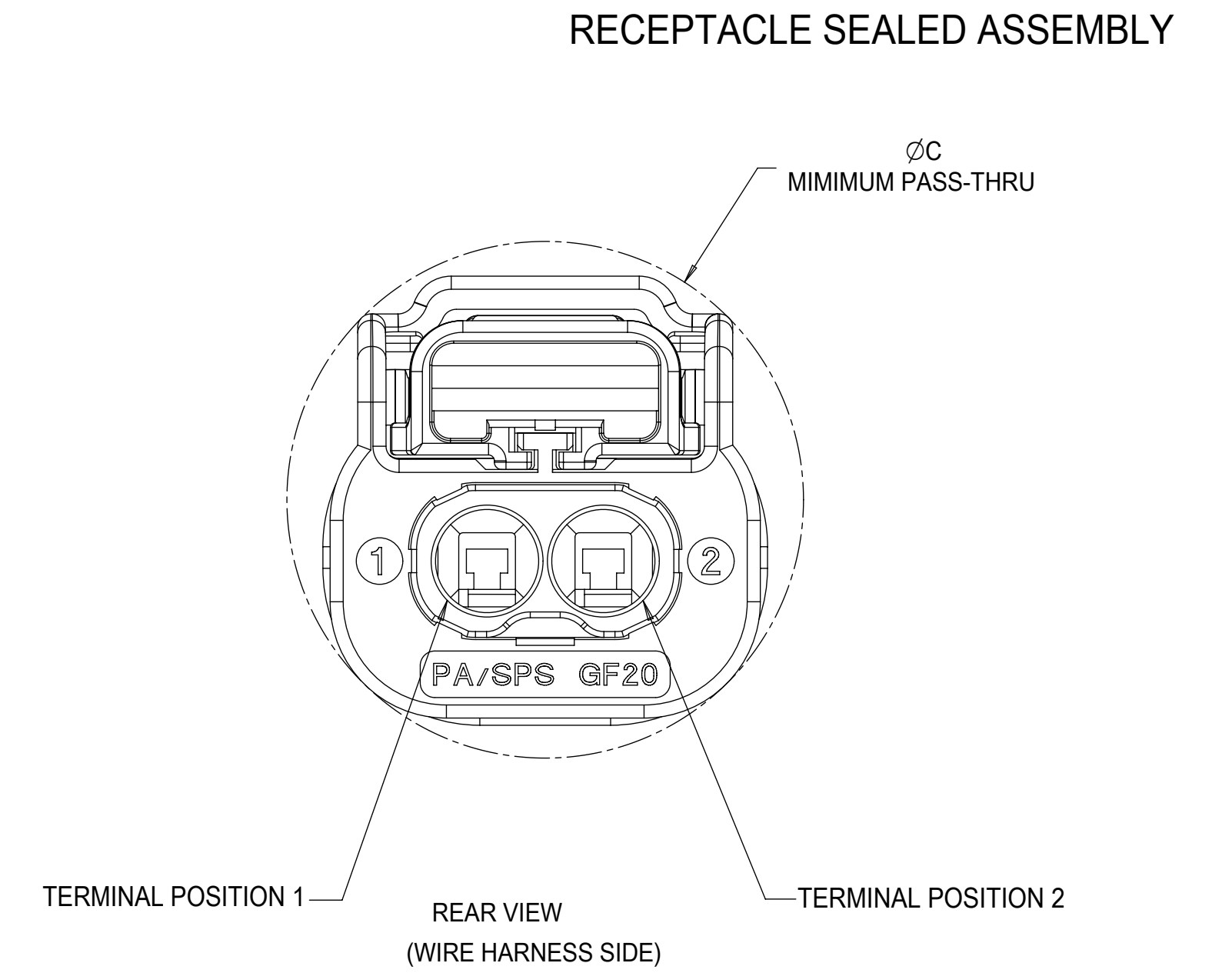
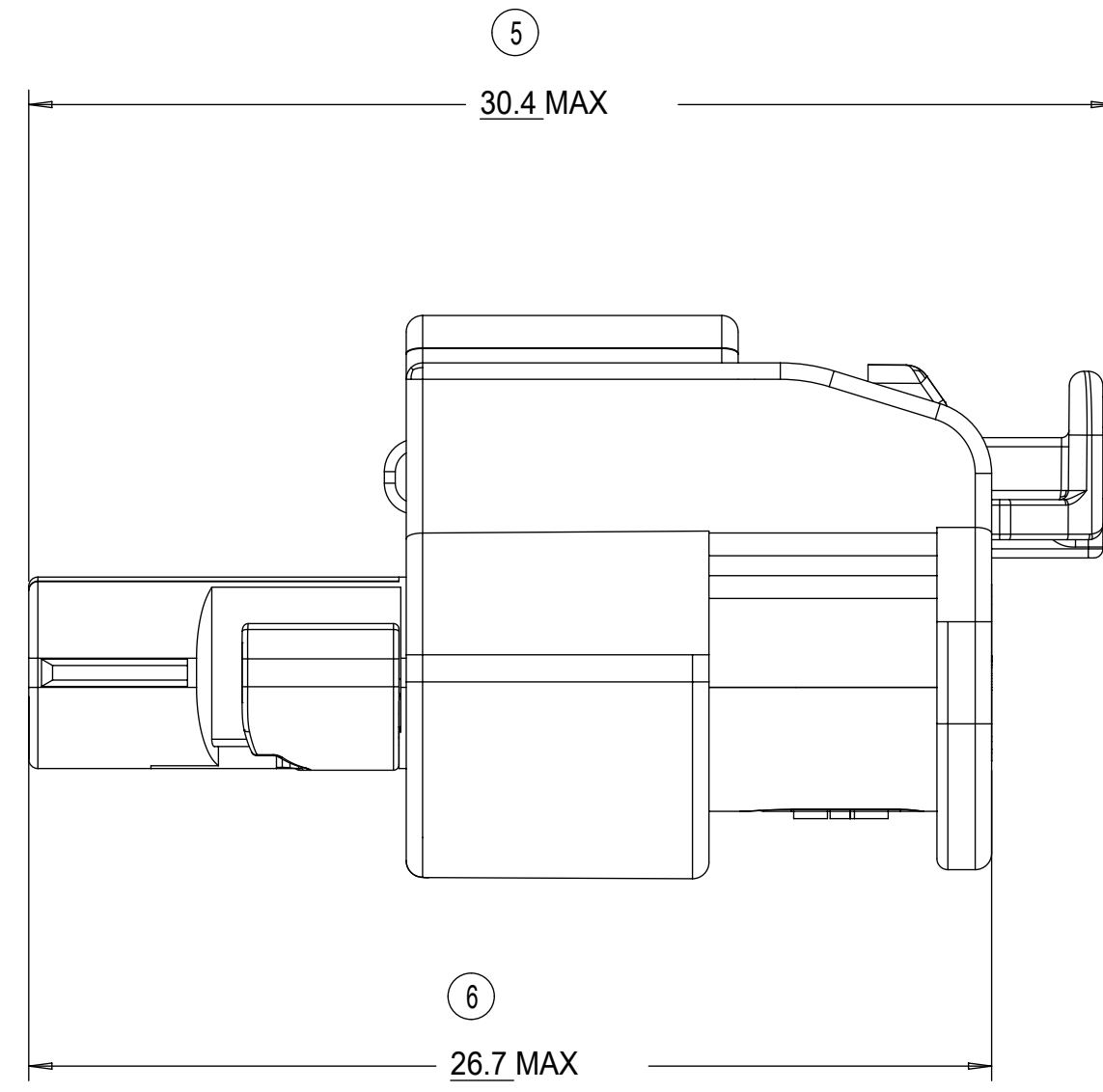
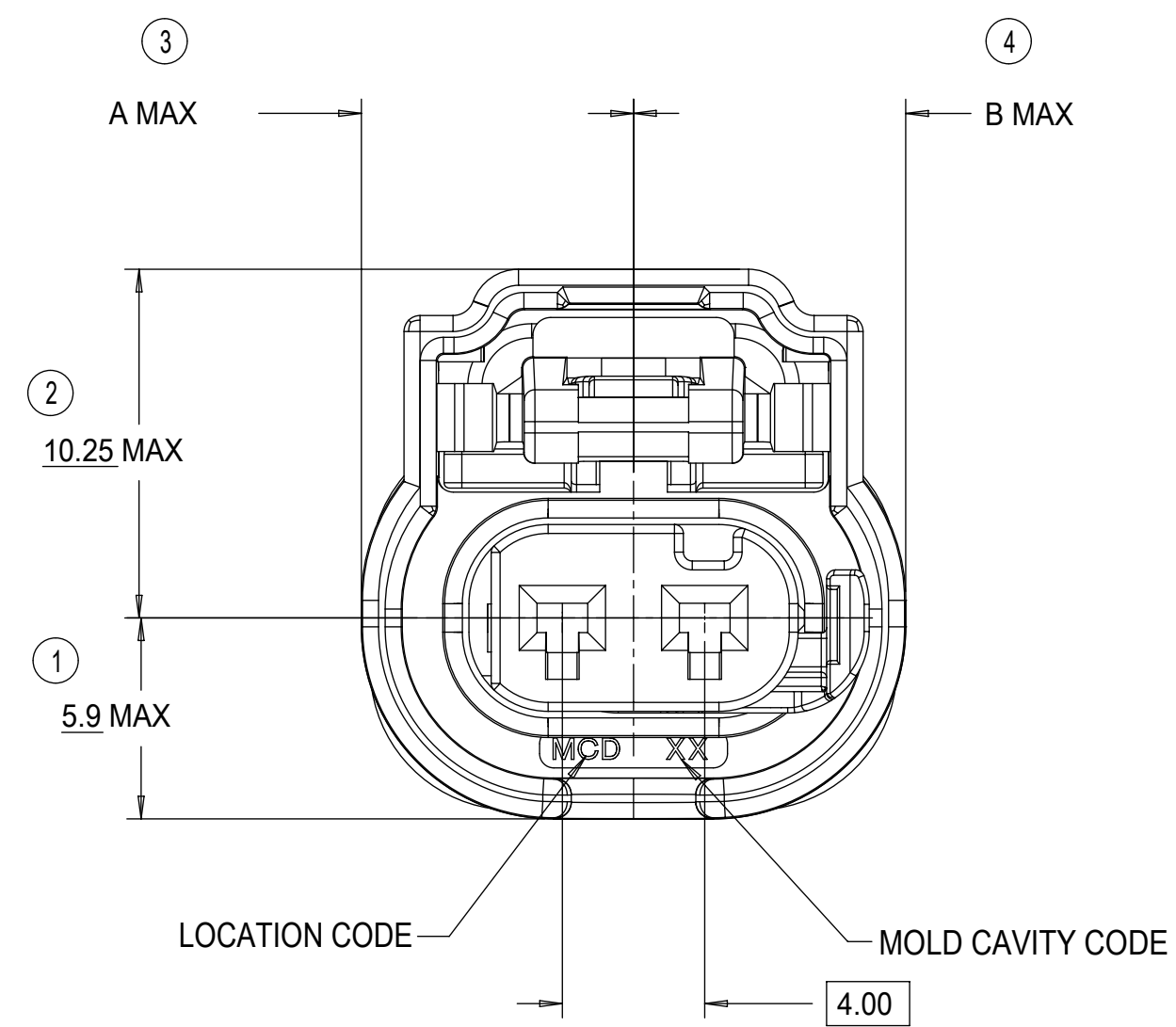
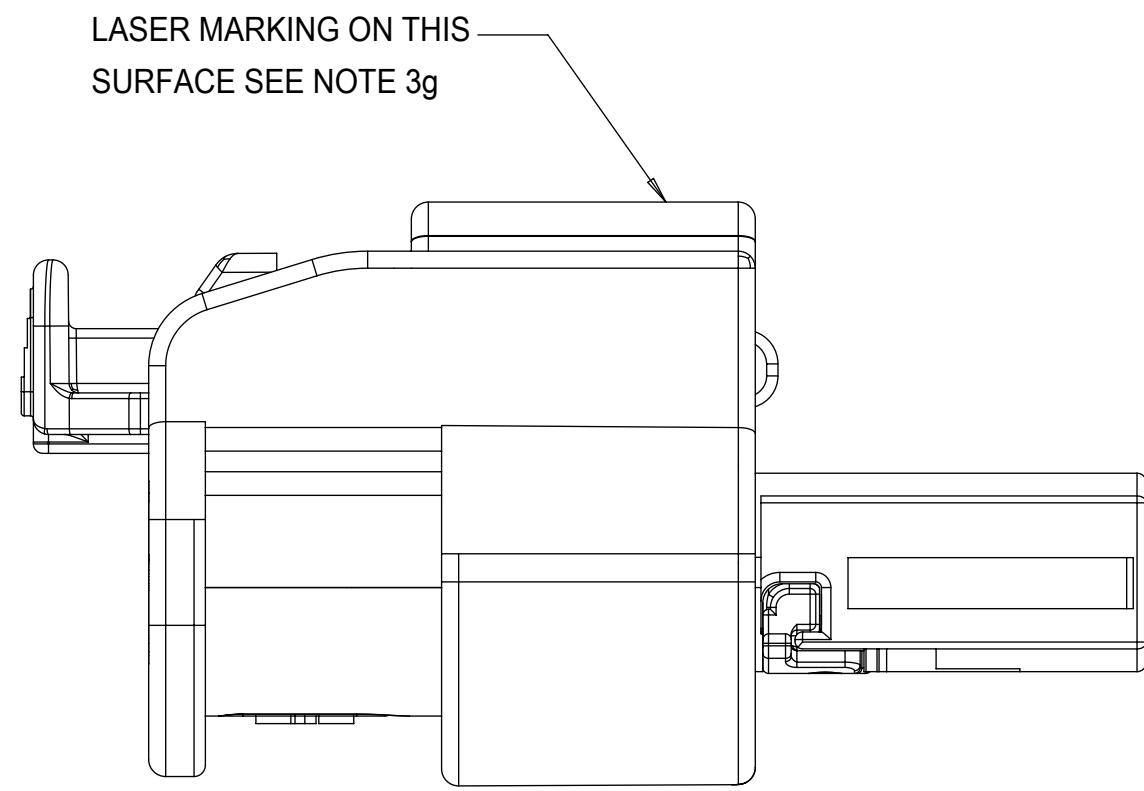


KEYING OPTION C

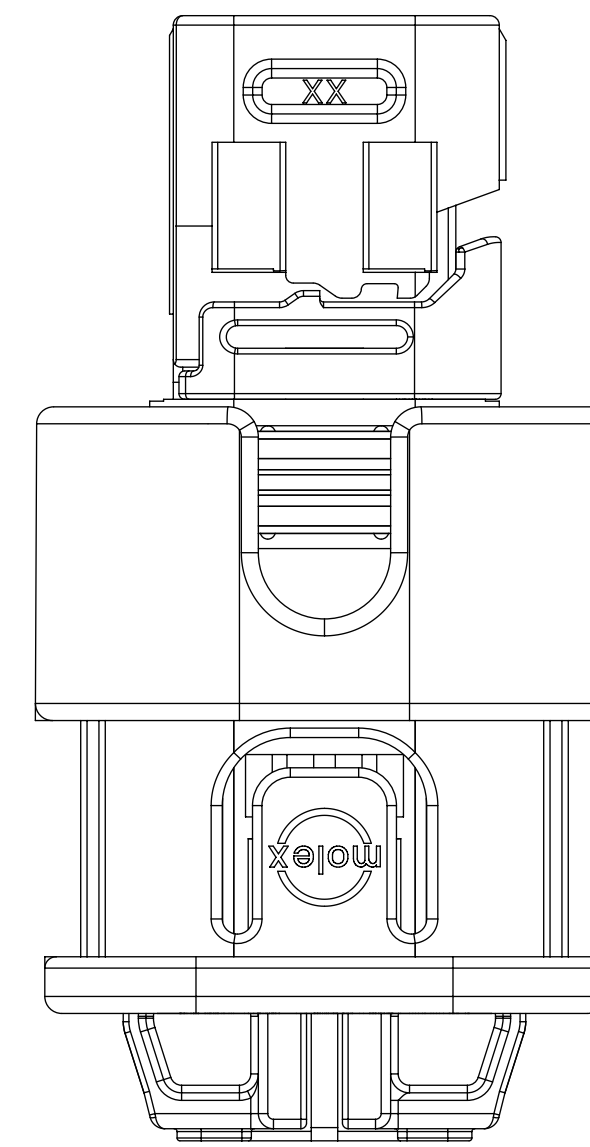


KEYING OPTION D

<b>QUALITY SYMBOLS</b> □ = 0 ▽ = 0 ▽ = 0 ▽ = 0 ▽ = 0 ▽ = 0 ▽ = 0 ▽ = 0 ▽ = 0 ▽ = 0	THIS DRAWING CONTAINS INFORMATION THAT IS PROPRIETARY TO MOLEX ELECTRONIC TECHNOLOGIES, LLC AND SHOULD NOT BE USED WITHOUT WRITTEN PERMISSION									
	2019/11/22	2019/12/02	2019/12/02	GENERAL TOLERANCES (UNLESS SPECIFIED)		DIMENSION UNITS	SCALE			
	DRWN: GELLIOTTO1	CHKD: KBORUSZEWSKI	APPR: KBORUSZEWSKI	ANGULAR TOL ± 3.0 °		mm	5:1			
	EC NO: 627969 DRWN: GELLIOTTO1 CHKD: KBORUSZEWSKI APPR: KBORUSZEWSKI	4 PLACES ±	DRWN BY		DATE		MVANSLAMBROU 2012/02/15			
		3 PLACES ±	CHKD BY		DATE					2013/11/06
		2 PLACES ± 0.1	APPR BY		DATE		GGA 2012/12/13			
		1 PLACE ± 0.2	DRAWING SIZE		THIRD ANGLE PROJECTION					34900 SEE BOM GENERAL MARKET
		0 PLACES ± 0.5	DRAFT WHERE APPLICABLE MUST REMAIN WITHIN DIMENSIONS		D		DOCUMENT NUMBER: SD-34900-2001 DOC TYPE: PSD DOC PART: 001 SHEET NUMBER: 3 OF 7			
	RELEASE STATUS: P1 RELEASE DATE: 2019/12/02 03:23:21		SERIES: 34900 MATERIAL NUMBER: SEE BOM CUSTOMER: GENERAL MARKET		PRODUCT CUSTOMER DRAWING					



INDEPENDENT SECONDARY LOCK (ISL)  
SHOWN IN THE PRE-STAGED POSITION



INDEPENDENT SECONDARY LOCK (ISL)  
SHOWN IN THE FINAL-LOCK POSITION

1x3 RECEPTACLE SEALED ASSEMBLY	10.0	10.0	20.75
1x2 RECEPTACLE SEALED ASSEMBLY	8.0	8.0	18.75
CONFIGURATION	A	B	C

CHARTED DIMENSIONS

<b>QUALITY SYMBOLS</b> 	THIS DRAWING CONTAINS INFORMATION THAT IS PROPRIETARY TO MOLEX ELECTRONIC TECHNOLOGIES, LLC AND SHOULD NOT BE USED WITHOUT WRITTEN PERMISSION			
	EC NO: 627959 DRWN: GELLIOTTO1 CHKD: KBORUSZEWSKI REV APPR: KBORUSZEWSKI	2019/11/22 2019/12/02 2019/12/02	<b>GENERAL TOLERANCES (UNLESS SPECIFIED)</b> ANGULAR TOL ± 3.0 ° 4 PLACES ± 3 PLACES ± 2 PLACES ± 0.1 1 PLACE ± 0.2 0 PLACES ± 0.5 DRAFT WHERE APPLICABLE MUST REMAIN WITHIN DIMENSIONS	DIMENSION UNITS: mm SCALE: 5:1 DRWN BY: MVANSLAMBROU DATE: 2012/02/15 CHKD BY: [blank] DATE: 2013/11/06 APPR BY: GGA DATE: 2012/12/13
<b>C6</b>	SERIES: 34900 MATERIAL NUMBER: SEE BOM CUSTOMER: GENERAL MARKET	DOCUMENT NUMBER: SD-34900-2001 DOC TYPE: PSD DOC PART: 001	SHEET NUMBER: 4 OF 7	

1X2 RECEPTACLE SEALED ASSEMBLY BOM SHEET 1

KEYING OPTION E, BLACK	34900-2223	-40 TO 155	4	SHORT					CHB			E		CPA3	TOOLED BUT NOT VALIDATED		1	2	3
KEYING OPTION C, BLACK	34900-2222	-40 TO 155	4	SHORT					CHB			C		CPA3	TOOLED BUT NOT VALIDATED		1	2	3
KEYING OPTION B, BLACK	34900-2221	-40 TO 155	4	SHORT					CHB	B				CPA3	TOOLED BUT NOT VALIDATED		1	2	3
KEYING OPTION A, BLACK	34900-2220	-40 TO 155	4	SHORT					CHB	A				CPA3	TOOLED BUT NOT VALIDATED		1	2	3
KEYING OPTION E, YELLOW	34900-2204	-40 TO 125	2	SHORT					CHY			E		CPA3	TOOLED BUT NOT VALIDATED		1	2	3
KEYING OPTION C, YELLOW	34900-2203	-40 TO 125	2	SHORT					CHY			C		CPA3	TOOLED BUT NOT VALIDATED		1	2	3
KEYING OPTION B, YELLOW	34900-2202	-40 TO 125	2	SHORT					CHY	B				CPA3	TOOLED BUT NOT VALIDATED		1	2	3
KEYING OPTION A, YELLOW	34900-2201	-40 TO 125	2	SHORT					CHY	A				CPA3	TOOLED BUT NOT VALIDATED		1	2	3
KEYING OPTION E, BLACK	34900-2123	-40 TO 155	4	SHORT					CHB			E	CPA1		NOT RECOMMENDED	ALT. KEY SUGGESTED	1	2	3
KEYING OPTION C, BLACK	34900-2122	-40 TO 155	4	SHORT					CHB			C	CPA1		SALEABLE		1	2	3
KEYING OPTION B, BLACK	34900-2121	-40 TO 155	4	SHORT					CHB	B			CPA1		SALEABLE		1	2	3
KEYING OPTION A, BLACK	34900-2120	-40 TO 155	4	SHORT					CHB	A			CPA1		SALEABLE		1	2	3
KEYING OPTION E, YELLOW	34900-2104	-40 TO 125	2	SHORT					CHY			E	CPA1		NOT RECOMMENDED	ALT. KEY SUGGESTED	1	2	3
KEYING OPTION C, YELLOW	34900-2103	-40 TO 125	2	SHORT					CHY			C	CPA1		SALEABLE		1	2	3
KEYING OPTION B, YELLOW	34900-2102	-40 TO 125	2	SHORT					CHY	B			CPA1		SALEABLE		1	2	3
KEYING OPTION A, YELLOW	34900-2101	-40 TO 125	2	SHORT					CHY	A			CPA1		SALEABLE		1	2	3
KEYING OPTION B, YELLOW	34900-2002	-40 TO 125	2	SHORT	CHY					B			CPA1		SALEABLE		1	2	3
KEYING OPTION A, YELLOW	34900-2001	-40 TO 125	2	SHORT	CHY					A			CPA1		SALEABLE		1	2	3
ASSEMBLY DESCRIPTION	PART NUMBER	OPERATING TEMPERATURE	VIBRATION CLASS PER GMW3191 DEC. 2007	OUTER HOUSING SHROUD LENGTH					A	B	C	E	CPA1	CPA3	STATUS	COMMENTS	DESIGNED TO MATE WITH DEVICE CONNECTION		

	RING SEAL	BURNT RED	INHERENTLY LUBRICATED SILICONE	
	ISL	NATURAL	SPS/NYLON GF20	
	CPA3	RED	PBT GF30	
	CPA1	RED	PBT GF30	
	TERMINAL HOUSING KEYING OPTION E	STONE GRAY	SPS/NYLON GF20	ALT. KEY SUGGESTED
	TERMINAL HOUSING KEYING OPTION C	DARK GRAY	SPS/NYLON GF20	
	TERMINAL HOUSING KEYING OPTION B	LT. GRAY	SPS/NYLON GF20	
	TERMINAL HOUSING KEYING OPTION A	BLACK	SPS/NYLON GF20	
	CONNECTOR HOUSING	BLACK	SPS/NYLON GF20	UPDATED LATCH
	CONNECTOR HOUSING	YELLOW	SPS/NYLON GF20	UPDATED LATCH
	CONNECTOR HOUSING	BLACK	SPS/NYLON GF20	
	CONNECTOR HOUSING	YELLOW	SPS/NYLON GF20	
	WIRE DRESS COVER STRAIGHT	BLACK	PA66	SOLD SEPARATELY SEE SD-160091-0001
	WIRE DRESS COVER RIGHT	BLACK	PA66	
	WIRE DRESS COVER LEFT	BLACK	PA66	
	DESCRIPTION	COLOR	MATERIAL	COMMENTS
BOM / APPLICABLE COMPONENTS TABLE				

ABBREVIATION	COMPONENT
CHY	CONNECTOR HOUSING YELLOW
CHB	CONNECTOR HOUSING BLACK
A	TERMINAL HOUSING KEY A
B	TERMINAL HOUSING KEY B
C	TERMINAL HOUSING KEY C
E	TERMINAL HOUSING KEY E
CPA1	CPA VERSION 1
CPA3	CPA VERSION 3
ISL	ISL
R	RING SEAL
1	USCAR INTERFACE 120-S-003-1-Z01 SEE NOTE 1f FOR WEBSITE
2	MOLEX INLINE BLADE CONNECTOR E-34899-2001
3	USCAR INTERFACE 120-S-003-1-Z02 SEE NOTE 1f FOR WEBSITE

THIS DRAWING CONTAINS INFORMATION THAT IS PROPRIETARY TO MOLEX ELECTRONIC TECHNOLOGIES, LLC AND SHOULD NOT BE USED WITHOUT WRITTEN PERMISSION											
QUALITY SYMBOLS	2019/11/22	2019/12/02	2019/12/02	GENERAL TOLERANCES (UNLESS SPECIFIED)	DIMENSION UNITS	SCALE	<b>molex</b> 1.2MM 1X2, 1X3 RECPT. SEALED ASSEMBLY CABLE SEAL 621905: ADDED CPA2 PNS, RE-ADDED PNS USING TERMINAL H			PRODUCT CUSTOMER DRAWING	
$\nabla = 0$	DRWN BY: GELLIOTTO1	CHKD BY: KBORUSZEWSKI	REV APPR: KBORUSZEWSKI	4 PLACES $\pm$	mm	2:1					
$\nabla = 0$				ANGULAR TOL $\pm$ 3.0 °	DRWN BY: MVANSLAMBROU	DATE: 2012/02/15	SERIES: 34900 MATERIAL NUMBER: 9999999999 CUSTOMER: GENERAL MARKET			DOCUMENT NUMBER: SD-34900-2001 DOC TYPE: PSD DOC PART: 001 SHEET NUMBER: 5 OF 7	
$\nabla = 0$				3 PLACES $\pm$	CHKD BY: GGA	DATE: 2013/11/06					
$\nabla = 0$				2 PLACES $\pm$ 0.1	APPR BY: GGA	DATE: 2012/12/13	DRAWING SIZE: D THIRD ANGLE PROJECTION				
$\nabla = 0$				1 PLACE $\pm$ 0.2							
$\nabla = 0$				0 PLACES $\pm$ 0.5							
$\nabla = 0$				DRAFT WHERE APPLICABLE MUST REMAIN WITHIN DIMENSIONS							

KEYING OPTION D, STONE GRAY	34900-3223	-40 TO 125	2	SHORT	CHB				D			CPA3	TOOLED BUT NOT VALIDATED	1	2	3
KEYING OPTION C, DARK GRAY	34900-3222	-40 TO 125	2	SHORT	CHB				C			CPA3	TOOLED BUT NOT VALIDATED	1	2	3
KEYING OPTION B, LIGHT GRAY	34900-3221	-40 TO 125	2	SHORT	CHB		B					CPA3	TOOLED BUT NOT VALIDATED	1	2	3
KEYING OPTION A, BLACK	34900-3220	-40 TO 125	2	SHORT	CHB	A						CPA3	TOOLED BUT NOT VALIDATED	1	2	3
KEYING OPTION D, YELLOW	34900-3204	-40 TO 125	2	SHORT	CHY				D			CPA3	TOOLED BUT NOT VALIDATED	1	2	3
KEYING OPTION C, YELLOW	34900-3203	-40 TO 125	2	SHORT	CHY				C			CPA3	TOOLED BUT NOT VALIDATED	1	2	3
KEYING OPTION B, YELLOW	34900-3202	-40 TO 125	2	SHORT	CHY		B					CPA3	TOOLED BUT NOT VALIDATED	1	2	3
KEYING OPTION A, YELLOW	34900-3201	-40 TO 125	2	SHORT	CHY	A						CPA3	TOOLED BUT NOT VALIDATED	1	2	3
KEYING OPTION D, STONE GRAY	34900-3127	-40 TO 125	CONTACT MOLEX FOR INFO	SHORT	CHB					D	CPA1	SALEABLE	RESTRICTED	1	2	3
KEYING OPTION A, BLACK	34900-3124	-40 TO 125	CONTACT MOLEX FOR INFO	SHORT	CHB					A	CPA1	SALEABLE	RESTRICTED	1	2	3
KEYING OPTION D, STONE GRAY	34900-3123	-40 TO 125	2	SHORT	CHB				D		CPA1	TOOLED BUT NOT VALIDATED		1	2	3
KEYING OPTION C, DARK GRAY	34900-3122	-40 TO 125	2	SHORT	CHB				C		CPA1	TOOLED BUT NOT VALIDATED		1	2	3
KEYING OPTION B, LIGHT GRAY	34900-3121	-40 TO 125	2	SHORT	CHB		B				CPA1	SALEABLE		1	2	3
KEYING OPTION A, BLACK	34900-3120	-40 TO 125	2	SHORT	CHB	A					CPA1	SALEABLE		1	2	3
KEYING OPTION D, YELLOW	34900-3104	-40 TO 125	2	SHORT	CHY				D		CPA1	TOOLED BUT NOT VALIDATED		1	2	3
KEYING OPTION C, YELLOW	34900-3103	-40 TO 125	2	SHORT	CHY				C		CPA1	TOOLED BUT NOT VALIDATED		1	2	3
KEYING OPTION B, YELLOW	34900-3102	-40 TO 125	2	SHORT	CHY		B				CPA1	SALEABLE		1	2	3
KEYING OPTION A, YELLOW	34900-3101	-40 TO 125	2	SHORT	CHY	A					CPA1	SALEABLE		1	2	3
ASSEMBLY DESCRIPTION	PART NUMBER	OPERATING TEMPERATURE	VIBRATION CLASS PER GMW3191 DEC. 2007	OUTER HOUSING SHROUD LENGTH		A	B	C	D	A	D	CPA1	CPA3	STATUS	COMMENTS	DESIGNED TO MATE WITH DEVICE CONNECTION

1X3 RECEPTACLE SEALED ASSEMBLY BOM SHEET 1

RING SEAL	LIGHT BLUE	INHERENTLY LUBRICATED SILICONE	
ISL	NATURAL	SPS/NYLON GF20	
CPA3	RED	PBT GF30	
CPA1	RED	PBT GF30	
TERMINAL HOUSING KEYING OPTION D, Alt.	STONE GRAY	SPS/NYLON GF20	RESTRICTED
TERMINAL HOUSING KEYING OPTION A, Alt.	BLACK	SPS/NYLON GF20	RESTRICTED
TERMINAL HOUSING KEYING OPTION D	STONE GRAY	SPS/NYLON GF20	
TERMINAL HOUSING KEYING OPTION C	DARK GRAY	SPS/NYLON GF20	
TERMINAL HOUSING KEYING OPTION B	LT. GRAY	SPS/NYLON GF20	
TERMINAL HOUSING KEYING OPTION A	BLACK	SPS/NYLON GF20	
CONNECTOR HOUSING	BLACK	SPS/NYLON GF20	UPDATED LATCH
CONNECTOR HOUSING	YELLOW	SPS/NYLON GF20	UPDATED LATCH
CONNECTOR HOUSING	BLACK	SPS/NYLON GF20	
CONNECTOR HOUSING	YELLOW	SPS/NYLON GF20	
WIRE DRESS COVER STRAIGHT	BLACK	PA66	SOLD SEPARATELY SEE SD-160091-0001
WIRE DRESS COVER RIGHT	BLACK	PA66	
WIRE DRESS COVER LEFT	BLACK	PA66	
DESCRIPTION	COLOR	MATERIAL	COMMENTS

BOM / APPLICABLE COMPONENTS TABLE

ABBREVIATION	COMPONENT
CHY	CONNECTOR HOUSING YELLOW
CHB	CONNECTOR HOUSING BLACK
A	TERMINAL HOUSING KEY A
B	TERMINAL HOUSING KEY B
C	TERMINAL HOUSING KEY C
D	TERMINAL HOUSING KEY D
CPA1	CPA VERSION 1
CPA3	CPA VERSION 3
ISL	ISL
R	RING SEAL
1	USCAR INTERFACE 120-S-002-1-Z01 SEE NOTE 1f FOR WEBSITE
2	MOLEX INLINE BLADE CONNECTOR E-34899-2001
3	USCAR INTERFACE 120-S-002-1-Z02 SEE NOTE 1f FOR WEBSITE

QUALITY SYMBOLS	THIS DRAWING CONTAINS INFORMATION THAT IS PROPRIETARY TO MOLEX ELECTRONIC TECHNOLOGIES, LLC AND SHOULD NOT BE USED WITHOUT WRITTEN PERMISSION	
	DRWN: GELIOTT01 2019/11/22	CHKD: KBORUSZEWSKI 2019/12/02
	REV: APPR: KBORUSZEWSKI 2019/12/02	EC NO: 627959
	GENERAL TOLERANCES (UNLESS SPECIFIED)	DIMENSION UNITS: mm
	ANGULAR TOL ± 3.0 °	SCALE: 5:1
	4 PLACES ±	DRWN BY: MVANSLAMBROU
	3 PLACES ±	DATE: 2012/02/15
	2 PLACES ± 0.1	CHKD BY: GGA
	1 PLACE ± 0.2	DATE: 2013/11/06
	0 PLACES ± 0.5	APPR BY: GGA
	DRAFT WHERE APPLICABLE MUST REMAIN WITHIN DIMENSIONS	DATE: 2012/12/13
		DRAWING SIZE: D
		THIRD ANGLE PROJECTION
		SERIES: 34900
		MATERIAL NUMBER: 9999999999
		CUSTOMER: GENERAL MARKET
		DOCUMENT NUMBER: SD-34900-2001
		DOC TYPE: PSD
		DOC PART: 001
		SHEET NUMBER: 6 OF 7

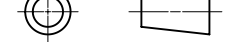
# OBSOLETE PART NUMBERS

34900-2023	OBSOLETE
34900-2022	OBSOLETE
34900-2021	OBSOLETE
34900-2020	OBSOLETE
34900-2004	OBSOLETE
34900-2003	OBSOLETE
ASSEMBLY PART NUMBERS	STATUS

1X2

34900-3023	OBSOLETE
34900-3022	OBSOLETE
34900-3021	OBSOLETE
34900-3020	OBSOLETE
34900-3004	OBSOLETE
34900-3003	OBSOLETE
34900-3002	OBSOLETE
34900-3001	OBSOLETE
ASSEMBLY PART NUMBERS	STATUS

1X3

THIS DRAWING CONTAINS INFORMATION THAT IS PROPRIETARY TO MOLEX ELECTRONIC TECHNOLOGIES, LLC AND SHOULD NOT BE USED WITHOUT WRITTEN PERMISSION															
DIMENSION UNITS		SCALE		Material:				<b>molex</b>							
mm		1:1		Heat treat:											
GENERAL TOLERANCES (UNLESS SPECIFIED)				Finish:				1.2MM 1X2, 1X3 RECPT. SEALED ASSEMBLY CABLE SEAL 621905: ADDED CPA2 PNS, RE-ADDED PNS USING TERMINAL H							
ANGULAR TOL ± 3.0 °				CURRENT REV DESC:											
4 PLACES		±		EC NO: 627959 DRWN: GELLIOTT01 2019/11/22 CHK'D: KBORUSZEWSKI 2019/12/02 APPR: KBORUSZEWSKI 2019/12/02 ORIG DRWN BY: MVANSLAMBROU 2012/02/15				PRODUCT CUSTOMER DRAWING							
3 PLACES		±						DOCUMENT NUMBER				SD-34900-2001			
2 PLACES		± 0.1						DOC TYPE				PSD			
1 PLACE		± 0.2						DOC PART				001			
0 PLACES		± 0.5						REVISION				C6			
TOOL NUMBER				THIRD ANGLE PROJECTION		DRAWING		SERIES		MATERIAL NUMBER		CUSTOMER		SHEET NUMBER	
						D-SIZE		34900		GENERAL MARKET		7 OF 7			