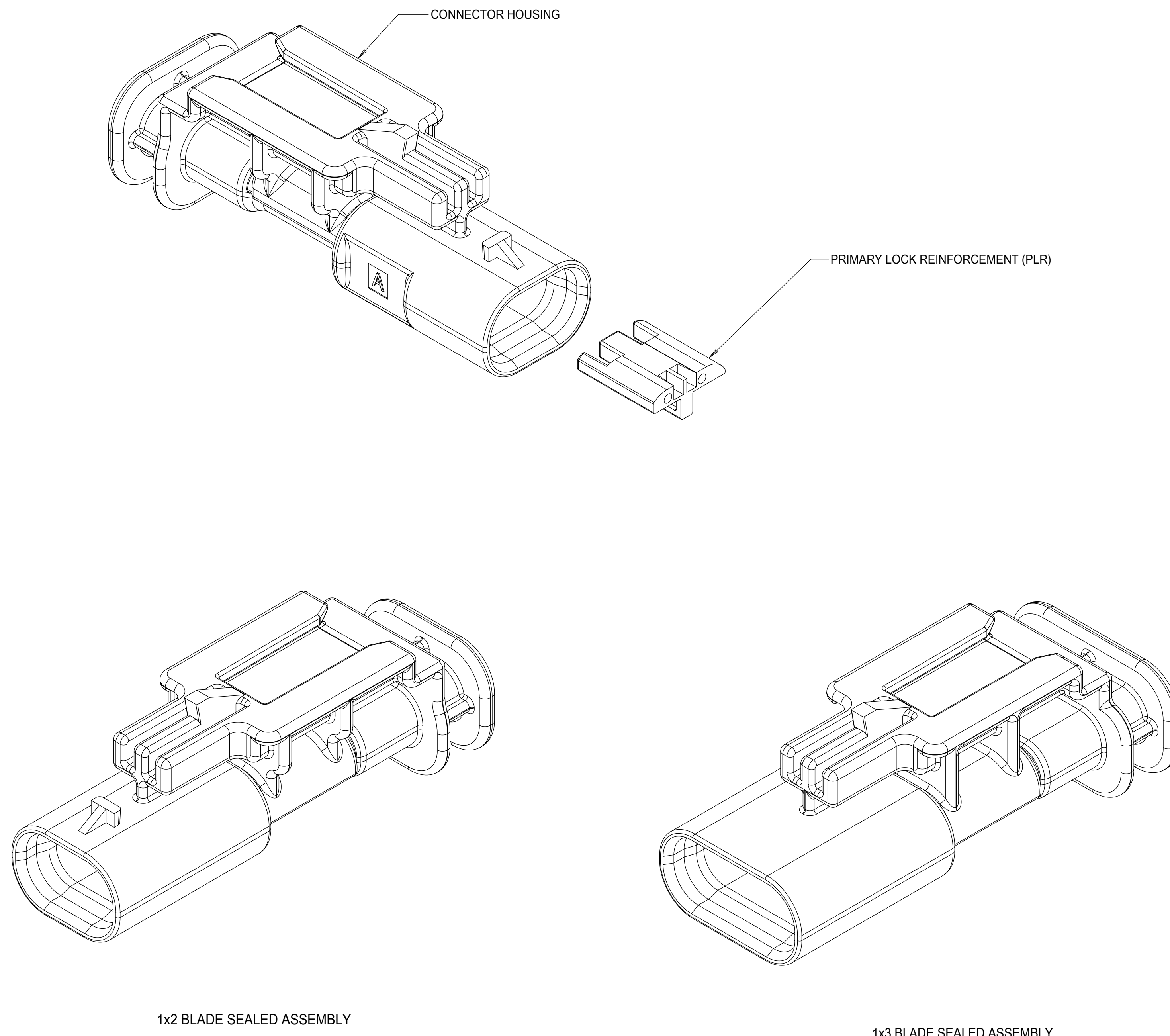


TABLE OF CONTENTS

SHEET NO.	SHEET DESCRIPTION
1	NOTES
2	1x2 BLADE SEALED ASSEMBLY KEYING CONFIGURATIONS
3	1x3 BLADE SEALED ASSEMBLY KEYING CONFIGURATIONS
4	CLIP-SLOT CONFIGURATIONS
5	BLADE SEALED ASSEMBLY
6	CONNECTION SYSTEM PACKAGING
7	WIRE DRESS COVER INTERFACE OPTIONS
8	1x2 BLADE SEALED ASSEMBLY BOM INTERFACE OPTION 1
9	1x2 BLADE SEALED ASSEMBLY BOM INTERFACE OPTION 2
10	1x3 BLADE SEALED ASSEMBLY BOM INTERFACE OPTION 1
11	1x3 BLADE SEALED ASSEMBLY BOM INTERFACE OPTION 2



NOTES: VALID UNLESS OTHERWISE SPECIFIED

1. GENERAL:

- a. APPLICATION SPECIFICATION SEE: AS-34900-0001
CONTAINS: PRODUCT INTRODUCTION, PRODUCT SUMMARY, CONNECTOR ASSEMBLY, PACKAGING INFORMATION, CONNECTOR MATING, SERVICE INSTRUCTIONS, ELECTRICAL CONTINUITY CHECKING, CRIMPING, AND TROUBLESHOOTING.
- b. PRODUCT SPECIFICATION SEE: PS-34900-0001
CONTAINS: PRODUCT INTRODUCTION, PRODUCT SUMMARY, RATINGS (CURRENT, TEMPERATURE, SEALING, AND FLAMMABILITY), AND PRODUCT VALIDATION.
- c. PACKAGING SPECIFICATION PER MOLEX DRAWING: PK-31301-898
- d. PARTS MUST BE IN COMPLIANCE TO MOLEX CHEMICAL SUBSTANCES FOR PRODUCTS AND PACKAGING SPECIFICATION: ES-40000-5016
- e. DATA MUST BE SUBMITTED UNDER THE MOLEX PART NUMBER TO IMDS (COMPANY ID#13255)

2. DESIGN - MATERIALS:

- a. SEE BOM TABLE

3. DESIGN - GEOMETRY:

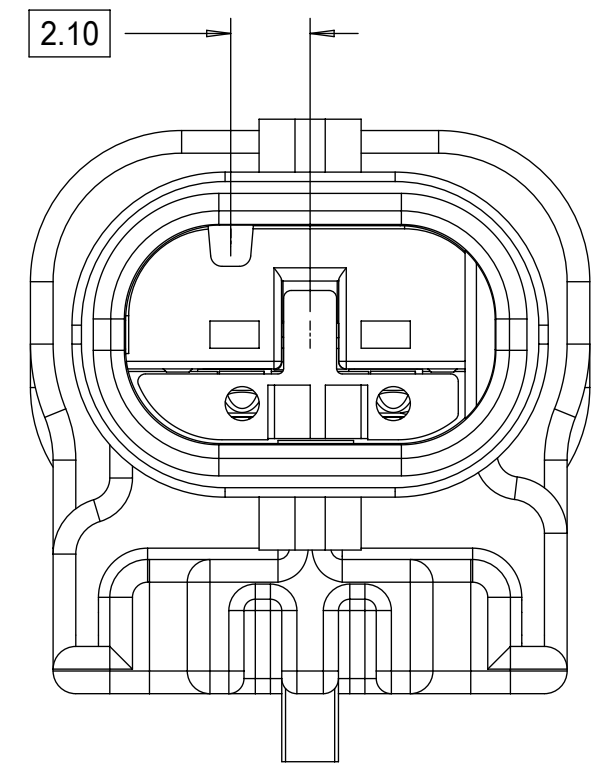
- a. THIS IS A 100% CAD GENERATED PART. THE CAD MATHEMATICAL DATA IS THE MASTER FOR THIS PART. FOR DIMENSIONAL OR ANY INFORMATION NOT SHOWN ON THIS DRAWING, ANALYZE THE CAD MODEL.
- b. GEOMETRIC DIMENSIONS AND TOLERANCES PER ASME Y14.5M - 1994
- c. EDGES AND UNDIMENSIONED DETAILS PER ISO13715
- d. CORNERS SHOWN AS SHARP TO BE R 0.2 MAX.
- e. LETTERING SHALL BE 0.15 MAX RAISED IN 0.25 MAX RECESS PAD. THIS INCLUDES RECYCLING CODE, CAVITY ID, VENDOR IDENTIFICATION,
- f. VISUAL DEFECTS SHALL MEET COSMETIC STANDARD PS-45499-002 (Class B)
- g. LASER MARKING:
 - 1. PART NUMBER
 - 2. DAY OF THE YEAR
 - 3. SHIFT
 - 4. YEAR

INSPECTION NUMBER LOG
LAST NUMBER USED:
ADDED:
REMOVED:

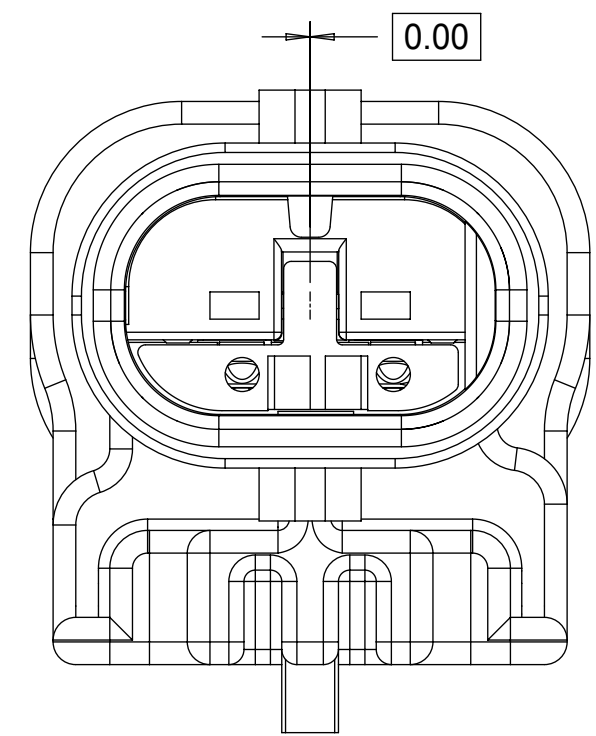
A15	- NX-REMASTERING FROM MODEL MANAGER - 1x2 KEY C MOVED TO SALEABLE - 1X3 WDC INTERFACE 2 PART NUMBERS UPDATED TO MATCH E-DRAWING
A14	CORRECTED CHARTED DIMENSION 3 FOR 1X3 11MM CLIPSLOT
A13	1x3 KEY A&B SALEABLE (NON 40G)
A12	1X2 KEYS A&B W/ WDC SALEABLE
A11	CORRECTED REVISION LOG
A10	1X2,1X3 WIRE DRESS FEATURES OK TO TOOL
A9	1X2,1X3 PART # STATUS UPDATED
A8	1X2 40G CLIP-SLOT OK TO TOOL
A7	1X2,1X3 PART # UPDATED TO "TOOLED BUT NOT VALIDATED"
A6	ADDED 40G CLIP-SLOT PART NUMBERS
A5	BOM CORRECTIONS AND UPDATES
A4	BOM CORRECTIONS AND UPDATES
A3	1x2, 1x3 NON-SIR PART# OK TO TOOL
A2	ADDED 1x3 11mm CLIP-SLOT PART #
A	ADDED BLACK PART# AND MINOR BOM UPDATES
6	ADDED CLIP SLOT CONFIGURATIONS
5	1X3 BOM UPDATED
4	1X3 INLINE ASSY VIEWS ADDED
3	MINOR BOM CORRECTIONS
2	UPDATED PACKAGING DIMENSIONS
1	INITIAL RELEASE
REV	DESCRIPTION

QUALITY SYMBOLS □ = 0 ▽ = 0 ▽ = 0 ▽ = 0 ▽ = 0 ▽ = 0 ▽ = 0 ▽ = 0 ▽ = 0 ▽ = 0 ▽ = 0 ▽ = 0	THIS DRAWING CONTAINS INFORMATION THAT IS PROPRIETARY TO MOLEX ELECTRONIC TECHNOLOGIES, LLC AND SHOULD NOT BE USED WITHOUT WRITTEN PERMISSION		DIMENSION UNITS MM		SCALE 4:1			
	GENERAL TOLERANCES (UNLESS SPECIFIED)		DRWN BY SKRAJENDRANA		DATE 2013/11/06			PRODUCT CUSTOMER DRAWING
	ANGULAR TOL ± 3.0 °		CHK'D BY		DATE			
	4 PLACES ± 3 PLACES ± 2 PLACES ± 0.1 1 PLACE ± 0.2 0 PLACES ± 0.5		APPR BY		DATE			
DRAFT WHERE APPLICABLE MUST REMAIN WITHIN DIMENSIONS		DRAWING SIZE D		THIRD ANGLE PROJECTION		SERIES 34899		
EC NO: 117908 DRWN: VYARAPPA CHK'D: REV: APPR: KDEKOSKI		A15		MATERIAL NUMBER SEE BOM		CUSTOMER GENERAL MARKET		
RELEASE STATUS P1		RELEASE DATE 22.06.2017 19:25:24		DOCUMENT NUMBER SD-34899-2001		DOC TYPE PSD		
				DOC PART 001		SHEET NUMBER 1 OF 11		

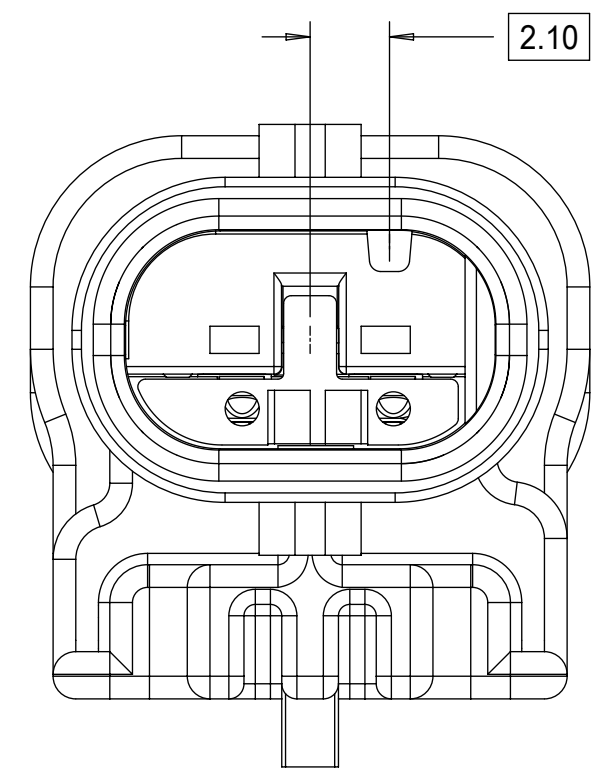
1x2 BLADE SEALED ASSEMBLY KEYING CONFIGURATIONS. FOR PART NUMBERS REFER TO BOM SHEET.



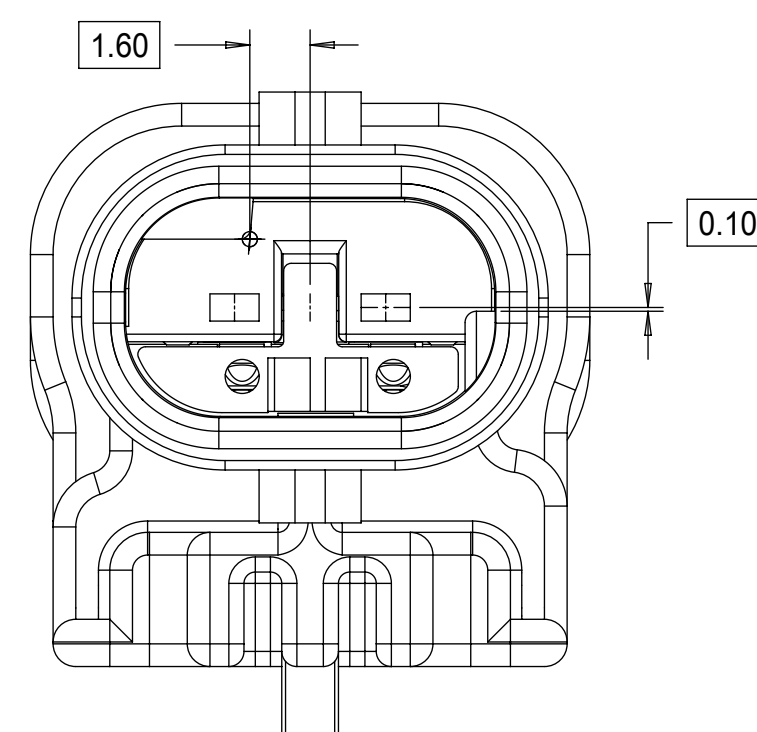
KEYING OPTION A





KEYING OPTION B



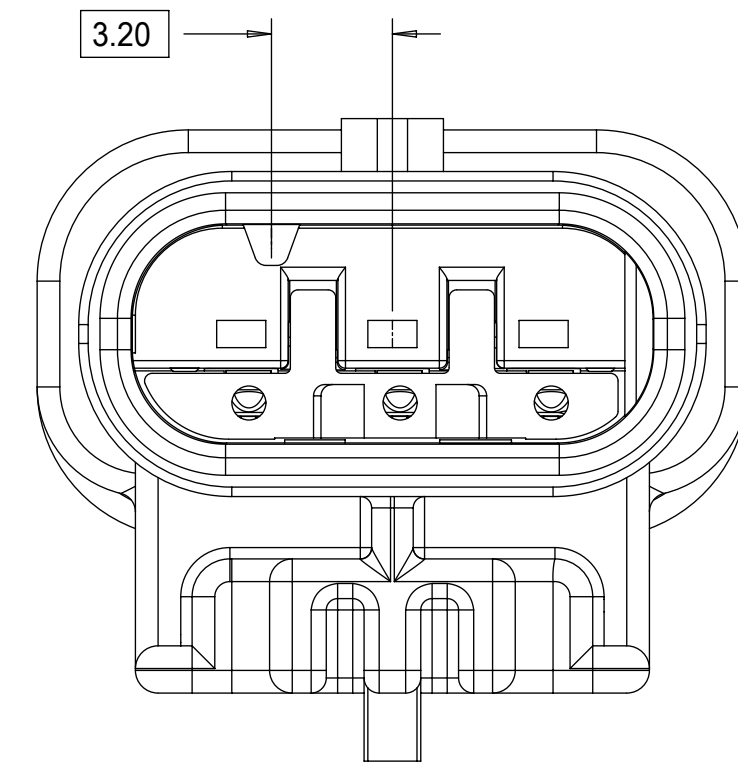
KEYING OPTION C



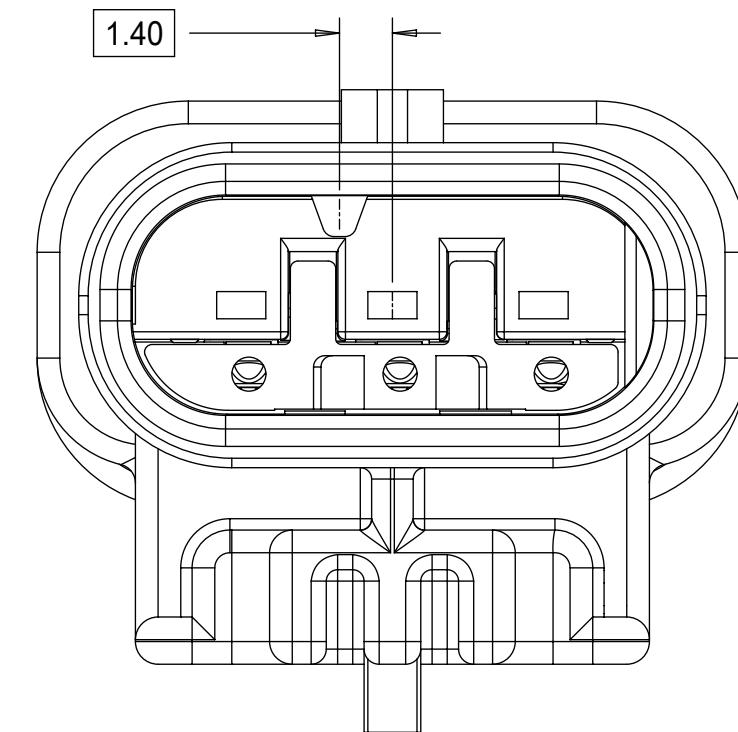
KEYING OPTION E

QUALITY SYMBOLS	THIS DRAWING CONTAINS INFORMATION THAT IS PROPRIETARY TO MOLEX ELECTRONIC TECHNOLOGIES, LLC AND SHOULD NOT BE USED WITHOUT WRITTEN PERMISSION									
▽ = 0	EC NO: 117908 DRWN: VYARAPPA CHK'D: REV APPR: KDEKOSKI	2017/04/11 2017/06/22	GENERAL TOLERANCES (UNLESS SPECIFIED)	DIMENSION UNITS	SCALE	 1.2MM 1X2, 1X3 BLADE SEALED ASSEMBLY CABLE SEAL PRODUCT CUSTOMER DRAWING				
▽ = 0			ANGULAR TOL ± 3.0 °	MM	5:1					
▽ = 0			4 PLACES ±	DRWN BY	DATE		SKRAJENDRANA 2013/11/06			
▽ = 0			3 PLACES ±	CHKD BY	DATE					
▽ = 0	2 PLACES ± 0.1	APPR BY	DATE							
▽ = 0	1 PLACE ± 0.2				SERIES	MATERIAL NUMBER	CUSTOMER			
▽ = 0	0 PLACES ± 0.5				34899	SEE BOM	GENERAL MARKET			
▽ = 0	DRAFT WHERE APPLICABLE MUST REMAIN WITHIN DIMENSIONS				DRAWING SIZE	THIRD ANGLE PROJECTION	DOCUMENT NUMBER	DOC TYPE	DOC PART	SHEET NUMBER
▽ = 0					D		SD-34899-2001	PSD	001	2 OF 11

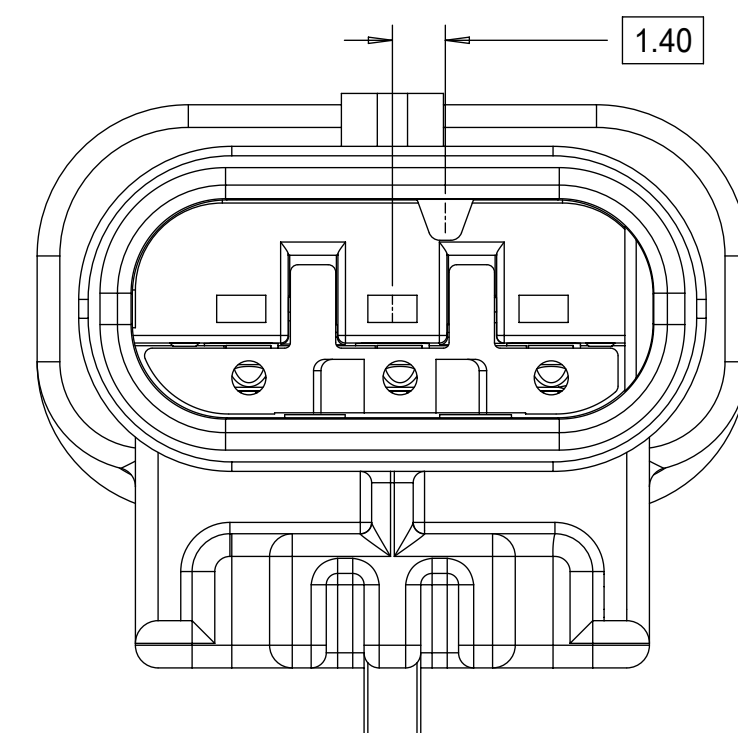
1x3 BLADE SEALED ASSEMBLY KEYING CONFIGURATIONS. FOR PART NUMBERS REFER TO BOM SHEET.



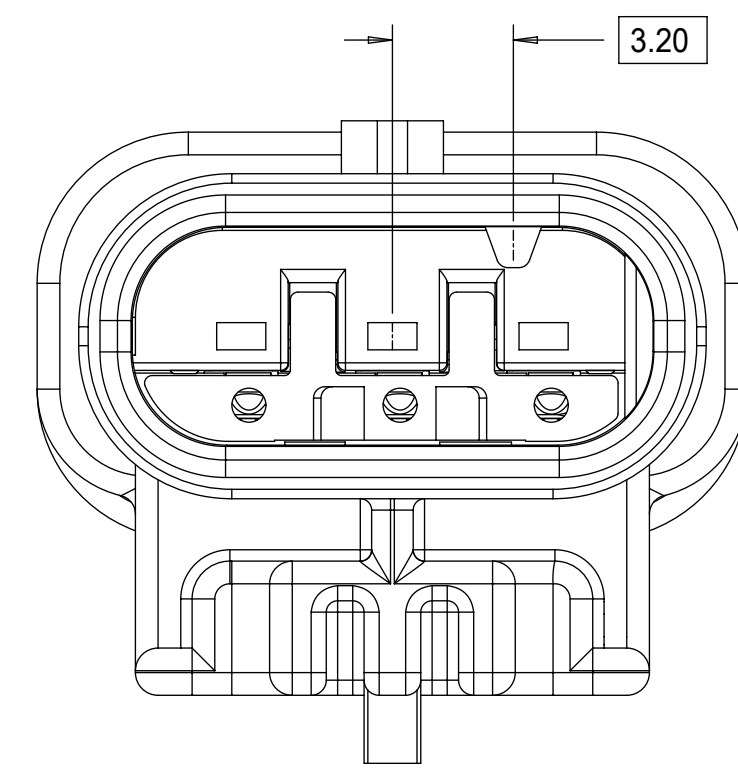
KEYING OPTION A



KEYING OPTION B



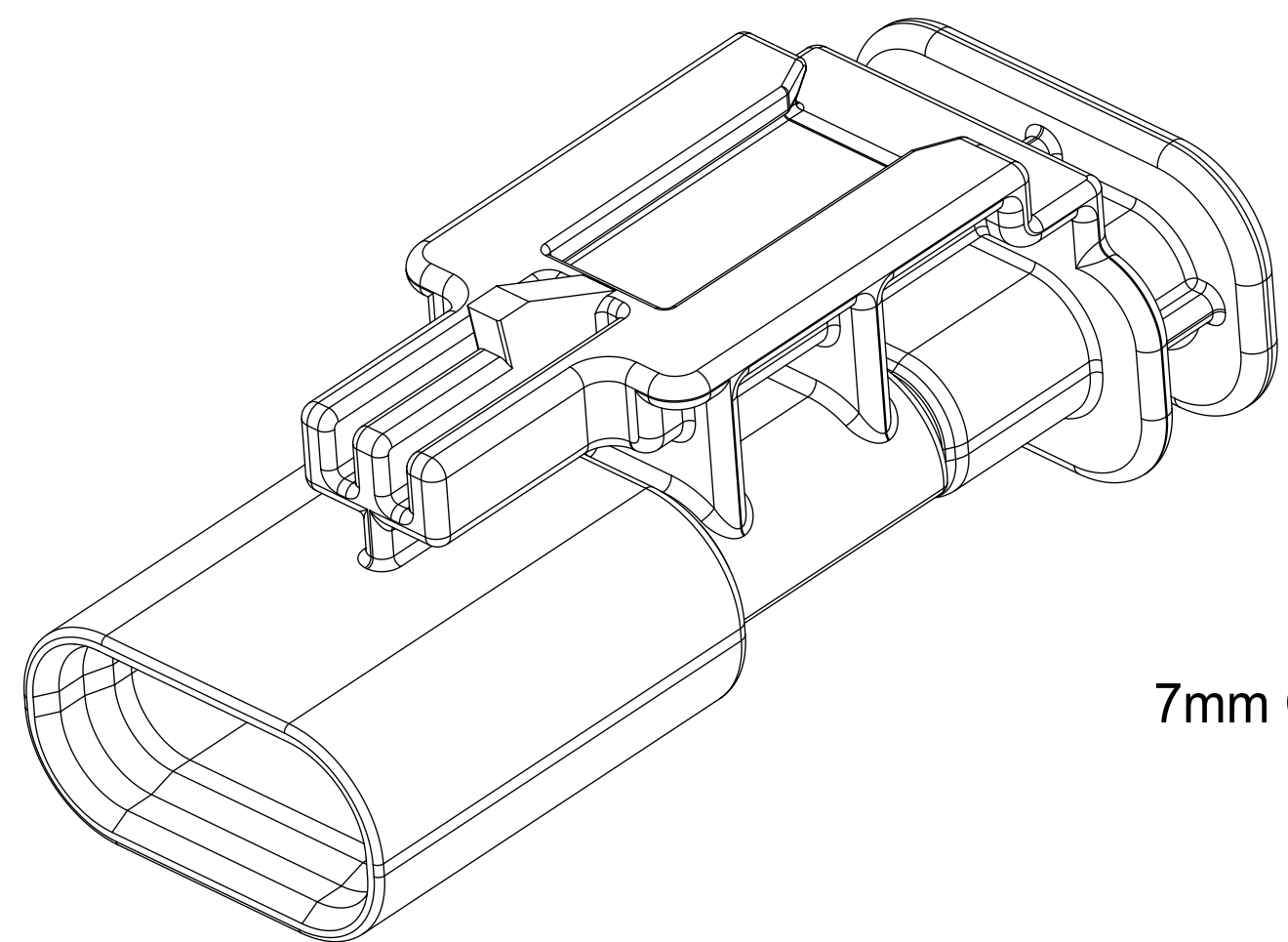
KEYING OPTION C



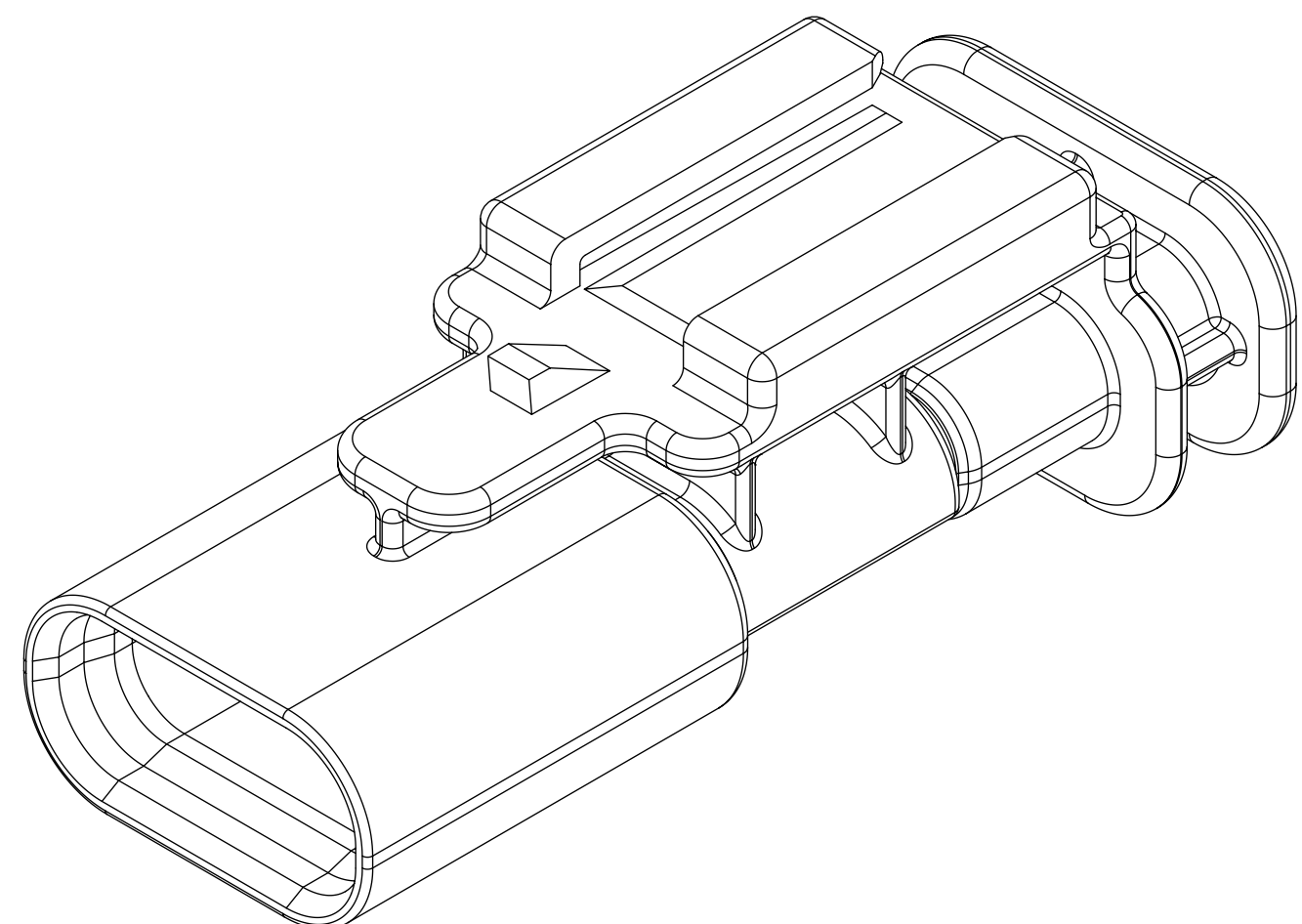
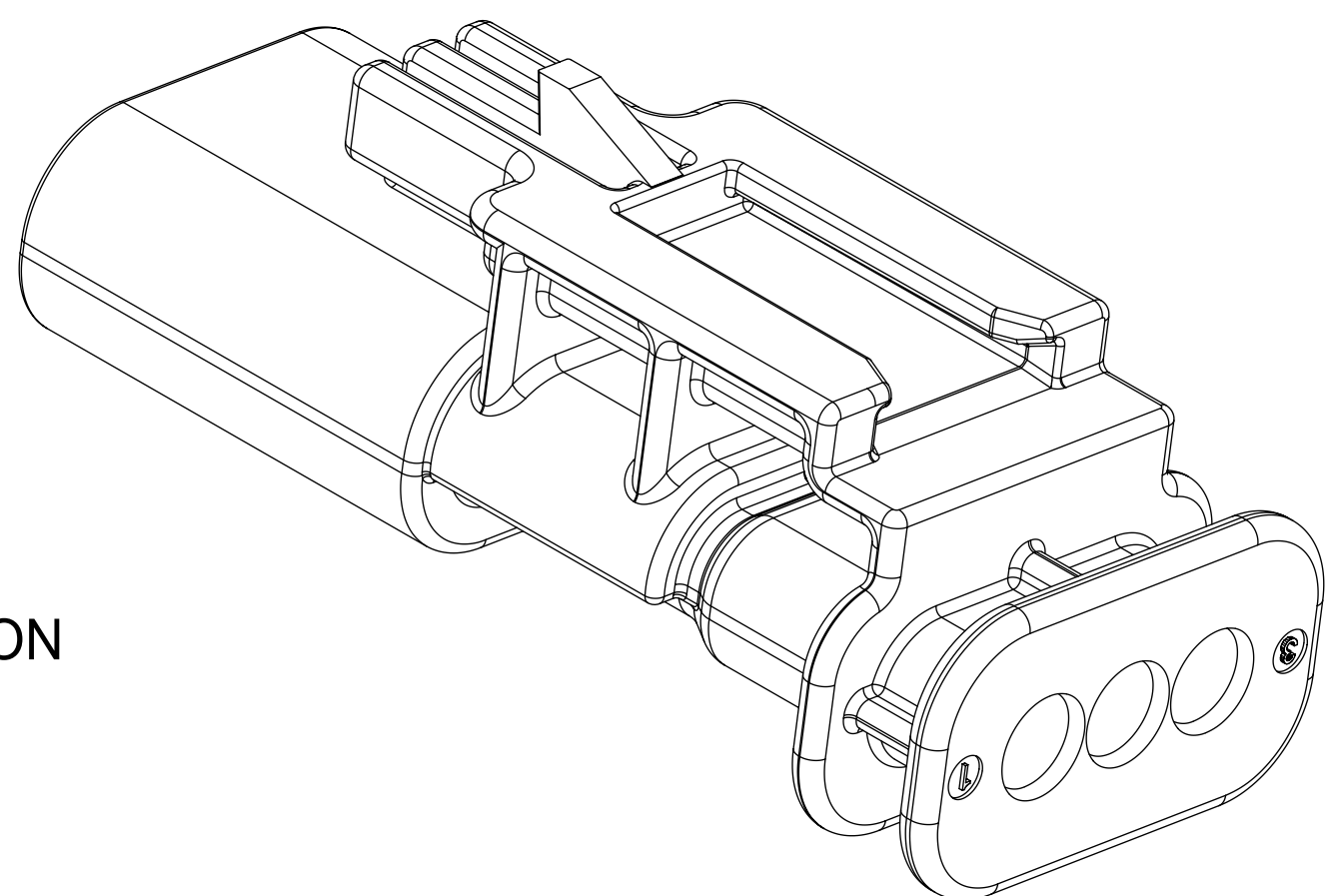
KEYING OPTION D

QUALITY SYMBOLS □ = 0 ▽ = 0 ▽ = 0 ▽ = 0 ▽ = 0 ▽ = 0 ▽ = 0 ▽ = 0 ▽ = 0 ▽ = 0 ▽ = 0 ▽ = 0	THIS DRAWING CONTAINS INFORMATION THAT IS PROPRIETARY TO MOLEX ELECTRONIC TECHNOLOGIES, LLC AND SHOULD NOT BE USED WITHOUT WRITTEN PERMISSION													
	2017/04/11	2017/06/22	GENERAL TOLERANCES (UNLESS SPECIFIED)		DIMENSION UNITS	SCALE								
					MM	5:1								
	DRWN BY	DATE	ANGULAR TOL ± 3.0 °		SKRAJENDRANA	2013/11/06	1.2MM 1X2, 1X3 BLADE SEALED ASSEMBLY CABLE SEAL PRODUCT CUSTOMER DRAWING							
	4 PLACES ±		3 PLACES ±		CHKD BY	DATE								
	2 PLACES ± 0.1		1 PLACE ± 0.2		APPR BY	DATE	SERIES: 34899 MATERIAL NUMBER: SEE BOM CUSTOMER: GENERAL MARKET							
	0 PLACES ± 0.5		DRAFT WHERE APPLICABLE MUST REMAIN WITHIN DIMENSIONS		DRAWING SIZE	THIRD ANGLE PROJECTION								
	EC NO: 117908		DRWN: VYARAPPA		CHKD:		APPR: KDEKOSKI		DOCUMENT NUMBER: SD-34899-2001		DOC TYPE: PSD	DOC PART: 001	SHEET NUMBER: 3 OF 11	
	REV: A15		REV: APPR:		REV: APPR:		REV: APPR:		REV: APPR:		REV: APPR:		REV: APPR:	

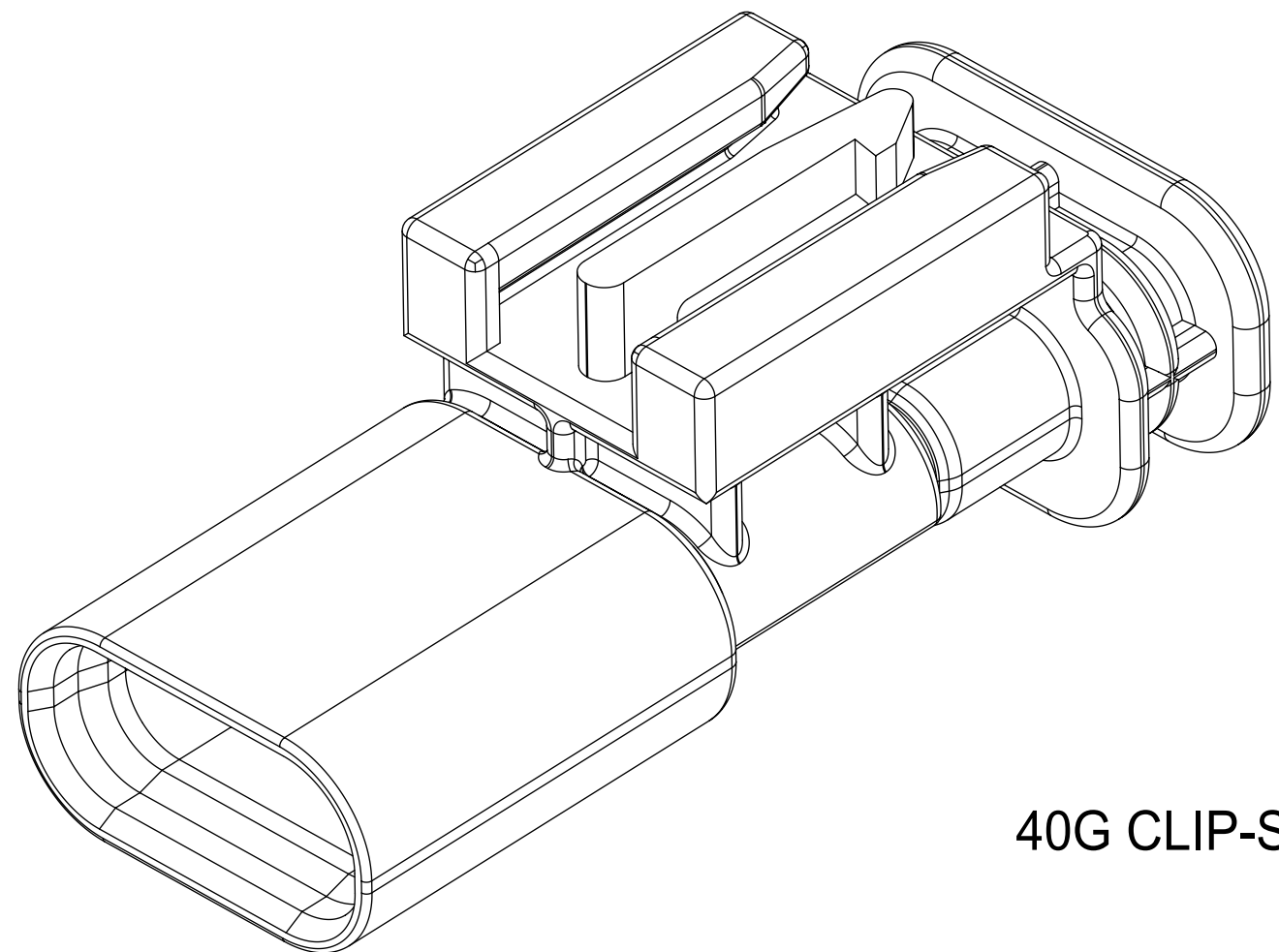
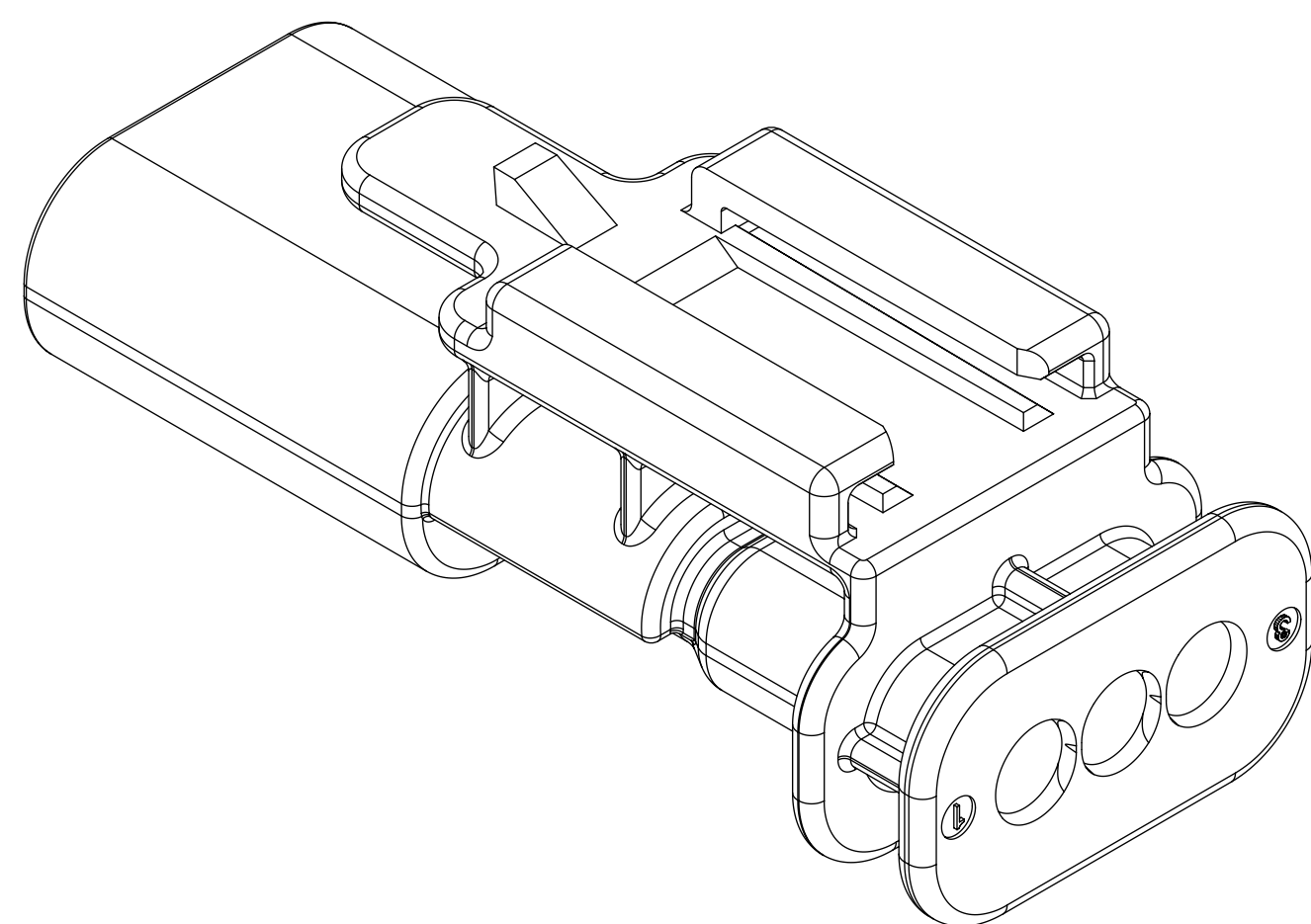
CLIP-SLOT CONFIGURATIONS. FOR PART NUMBERS REFER TO BOM SHEET.



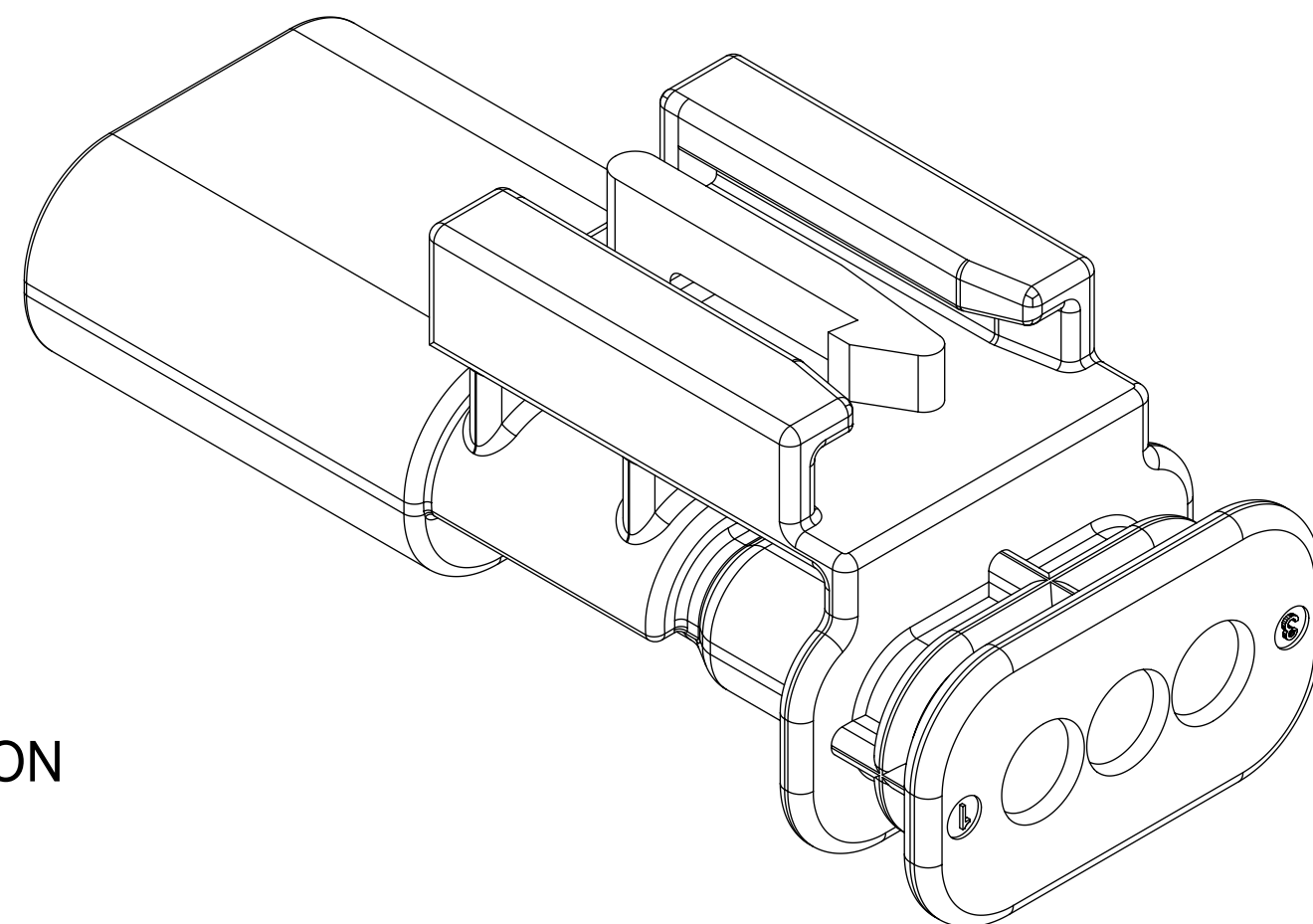
7mm CLIP-SLOT OPTION



11mm CLIP-SLOT OPTION

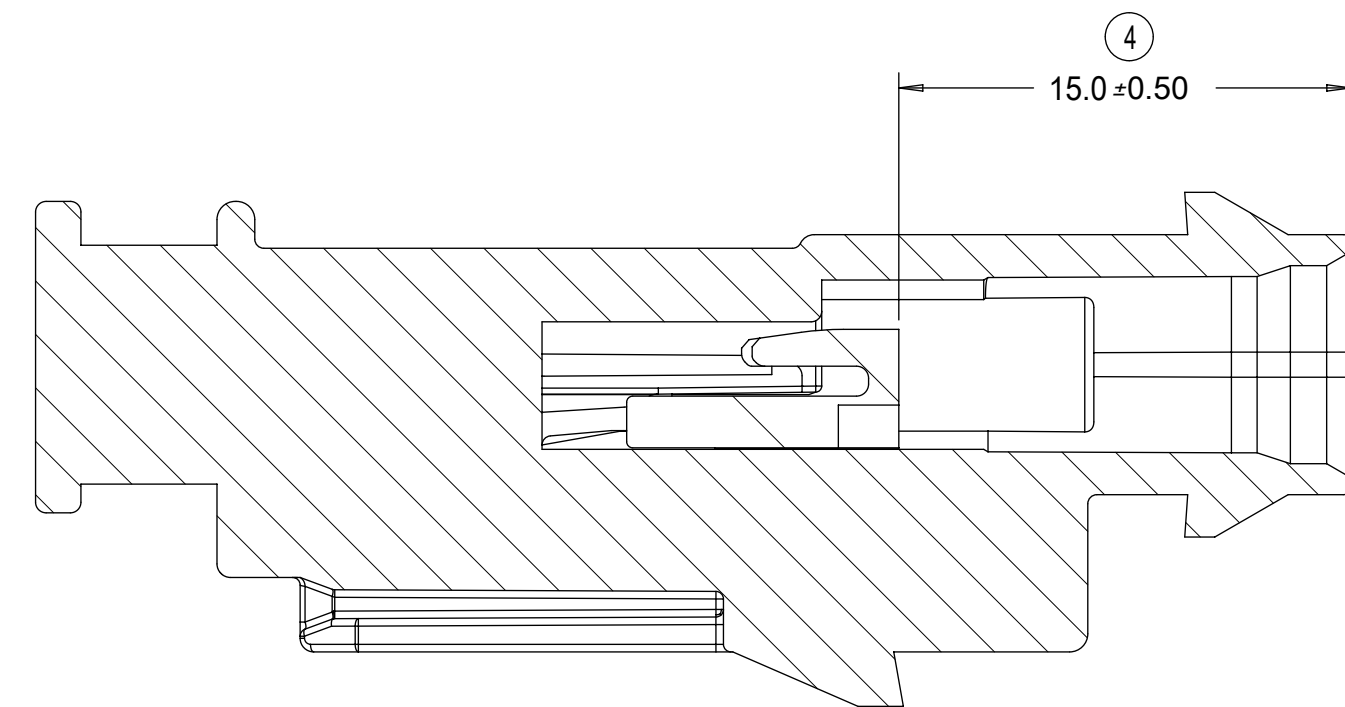
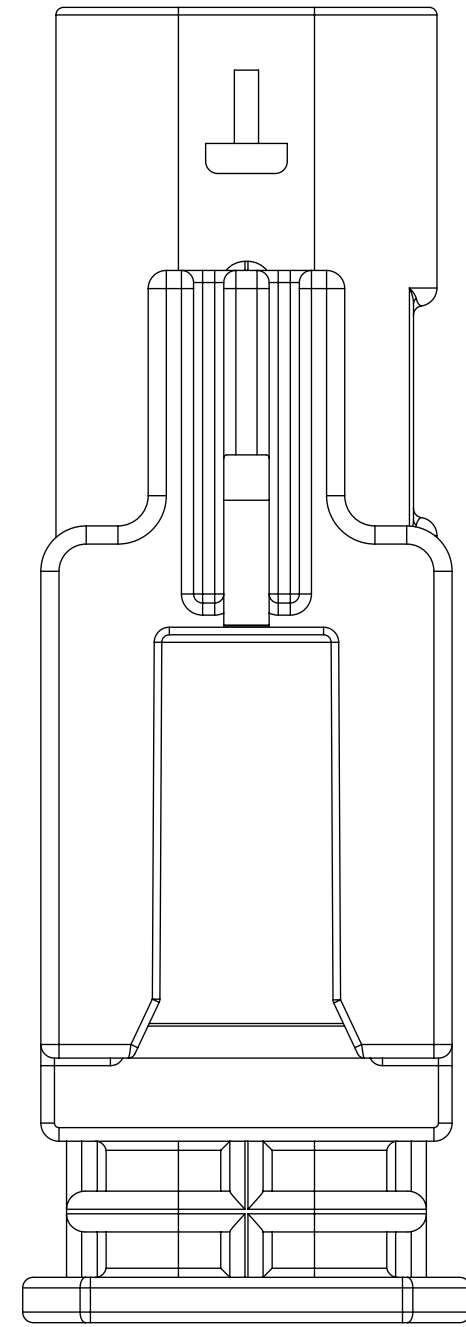
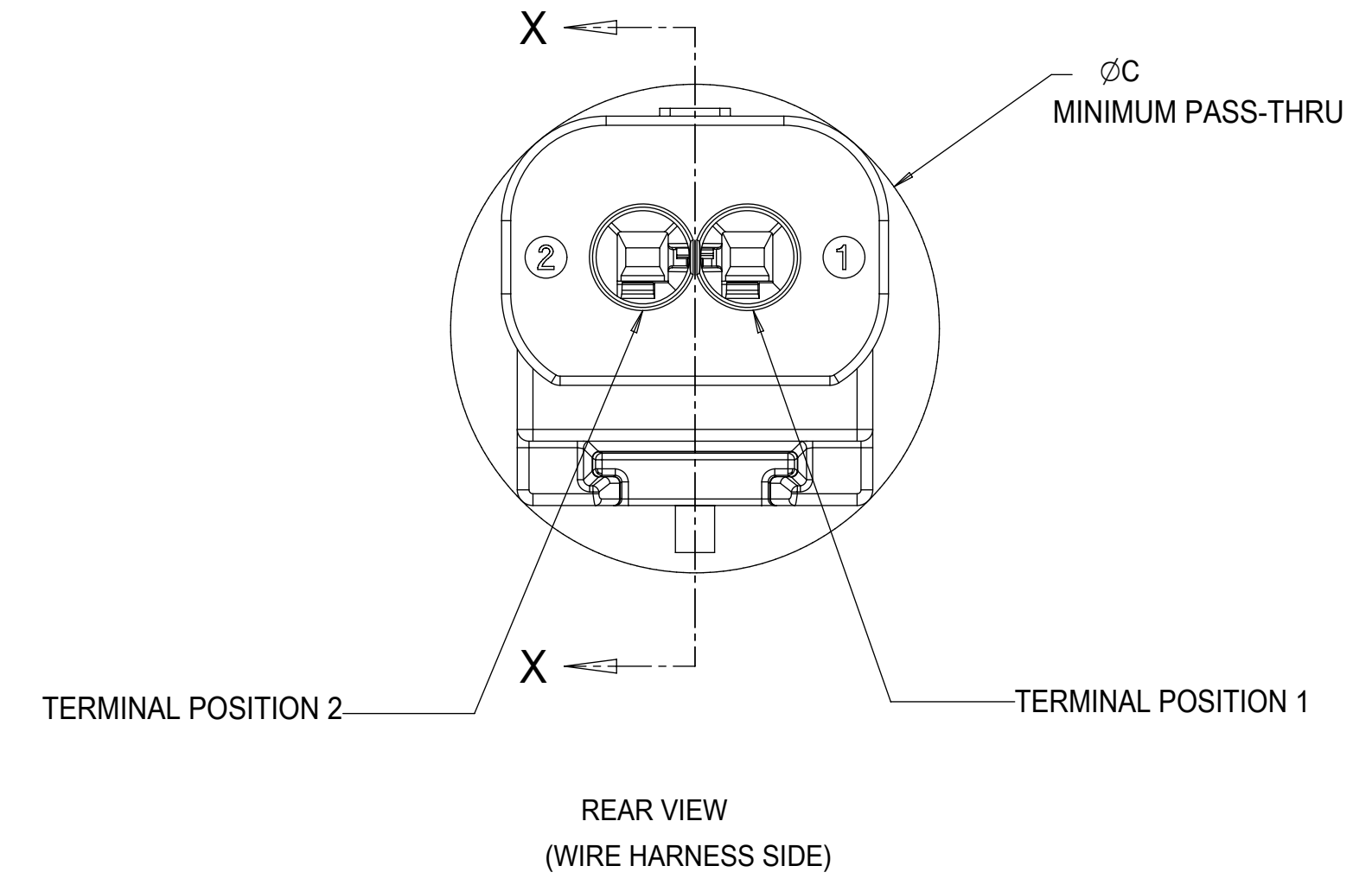
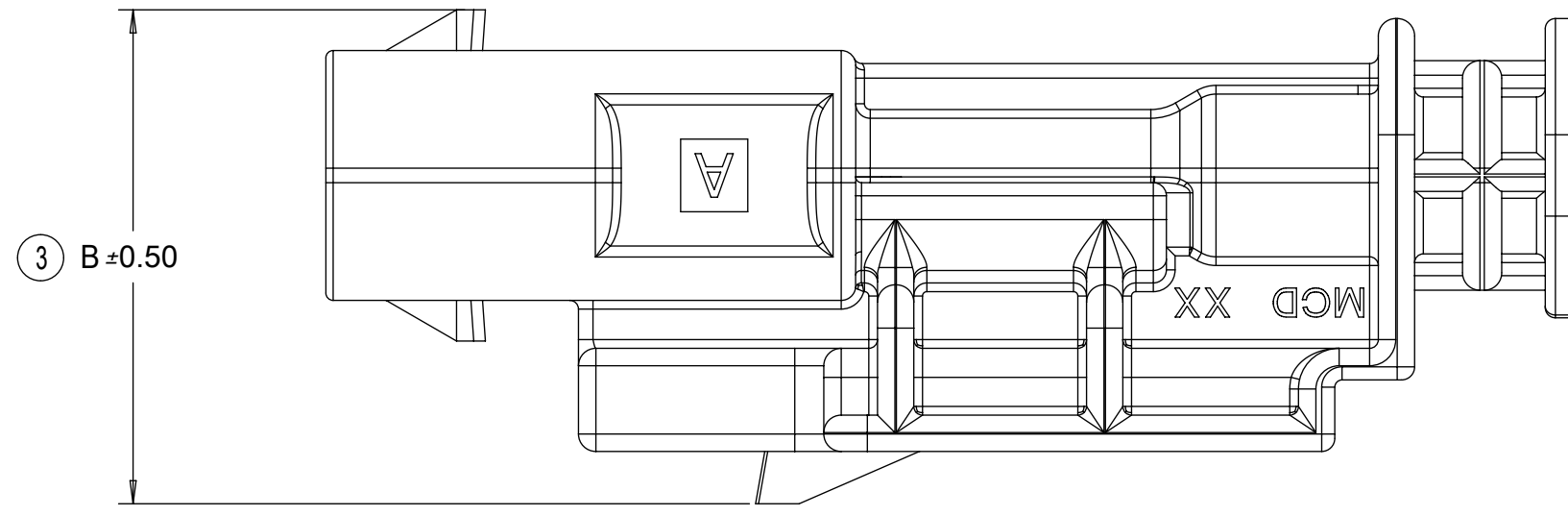
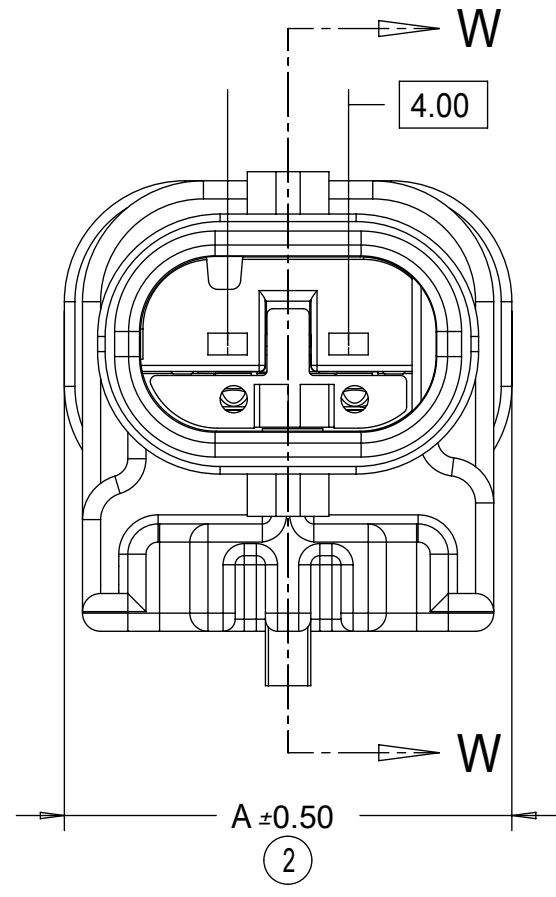
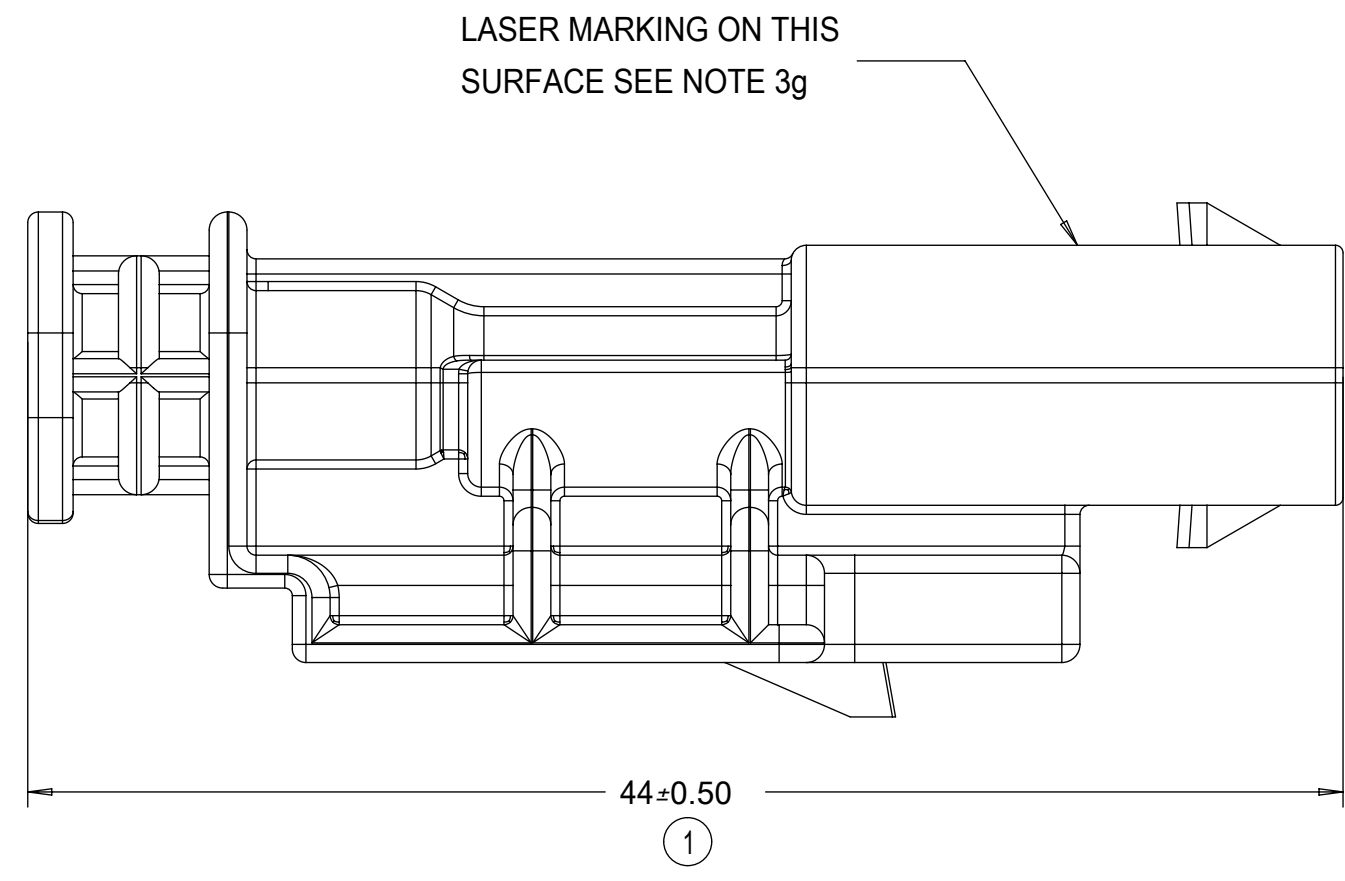


40G CLIP-SLOT OPTION

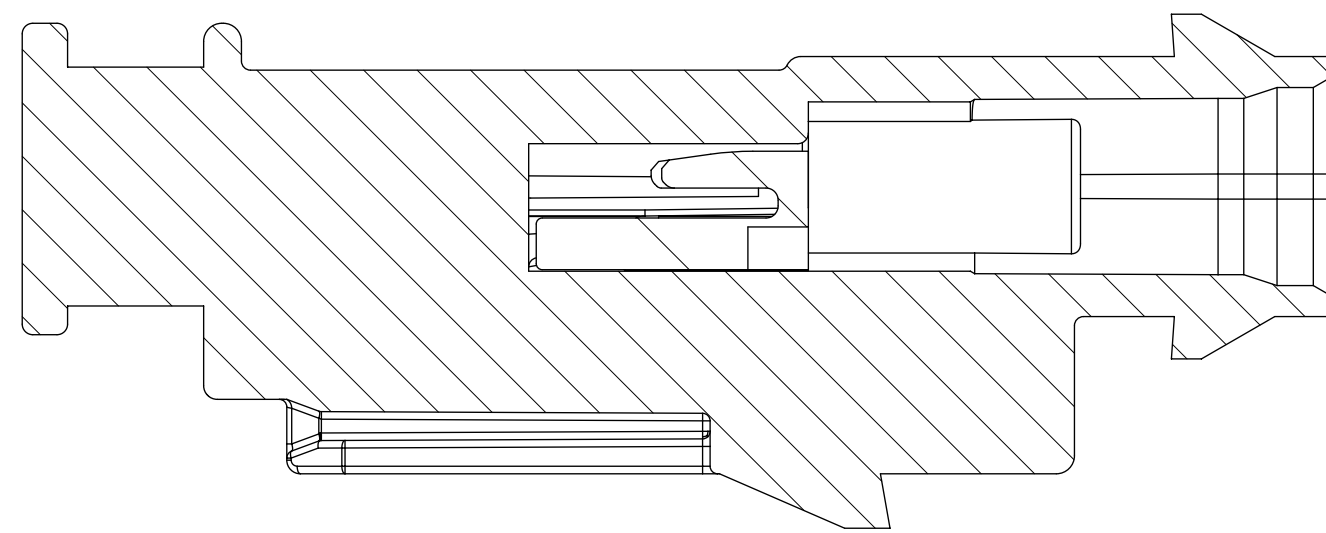


QUALITY SYMBOLS ▽ = 0 ▽ = 0 ▽ = 0 ▽ = 0 ▽ = 0 ▽ = 0 ▽ = 0 ▽ = 0 ▽ = 0 ▽ = 0		THIS DRAWING CONTAINS INFORMATION THAT IS PROPRIETARY TO MOLEX ELECTRONIC TECHNOLOGIES, LLC AND SHOULD NOT BE USED WITHOUT WRITTEN PERMISSION		DIMENSION UNITS MM		SCALE 4:1			
EC NO: 117908 DRWN: VYARAPPA CHK'D: REV APPR: KDEKOSKI		GENERAL TOLERANCES (UNLESS SPECIFIED) ANGULAR TOL ± 3.0 ° 4 PLACES ± 3 PLACES ± 2 PLACES ± 0.1 1 PLACE ± 0.2 0 PLACES ± 0.5 DRAFT WHERE APPLICABLE MUST REMAIN WITHIN DIMENSIONS		DRWN BY SKRAJENDRANA		DATE 2013/11/06			
RELEASE STATUS P1 RELEASE DATE 22.06.2017 19:25:24		A15		APPR BY DATE		DRAWING SIZE D		THIRDO ANGLE PROJECTION	
				SERIES 34899 MATERIAL NUMBER SEE BOM CUSTOMER GENERAL MARKET		DOCUMENT NUMBER SD-34899-2001 DOC TYPE PSD DOC PART 001 SHEET NUMBER 4 OF 11			

BLADE SEALED ASSEMBLY



PRIMARY LOCK REINFORCEMENT (PLR) SHOWN
IN THE PRE-STAGED POSITION
SECTION W-W

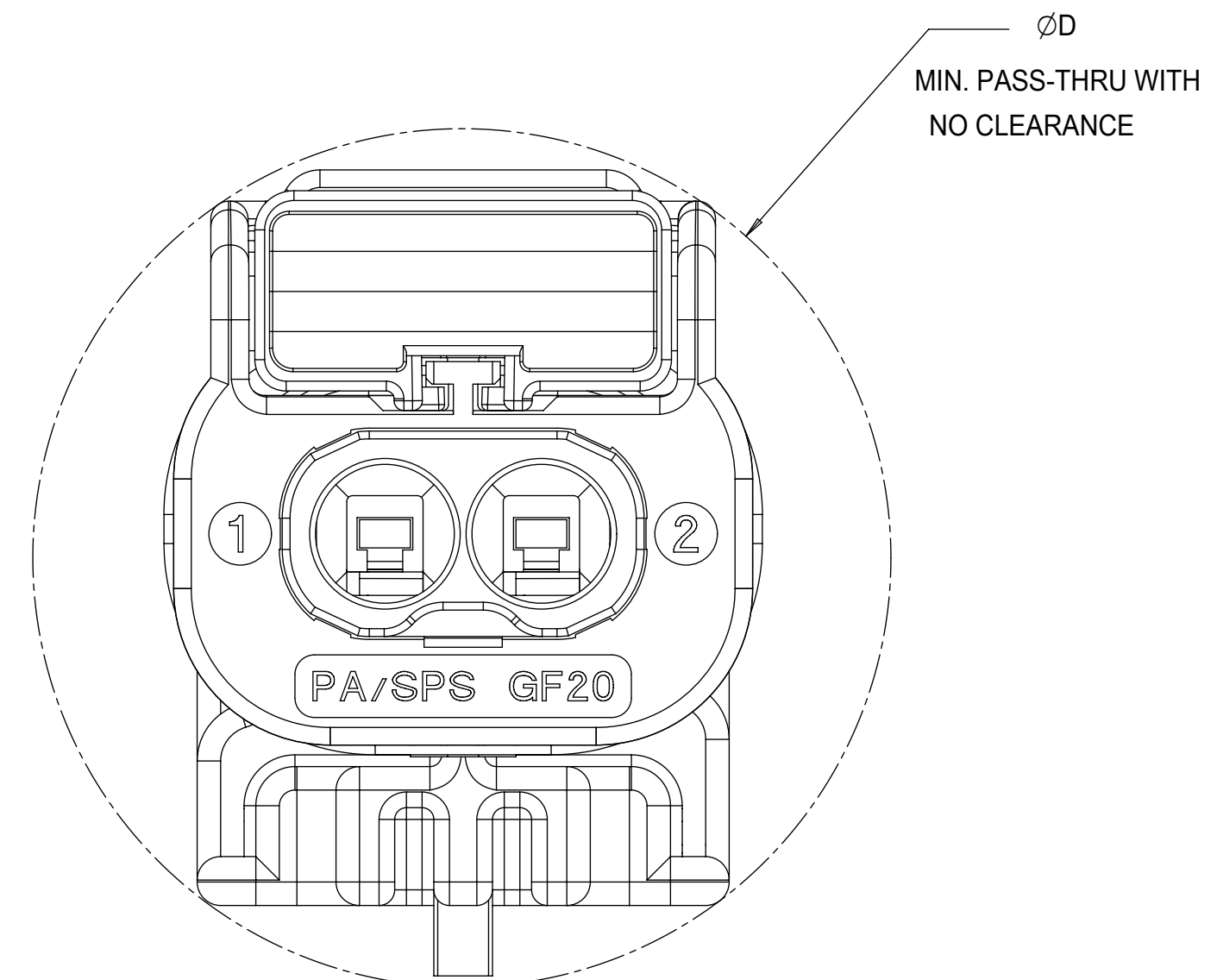
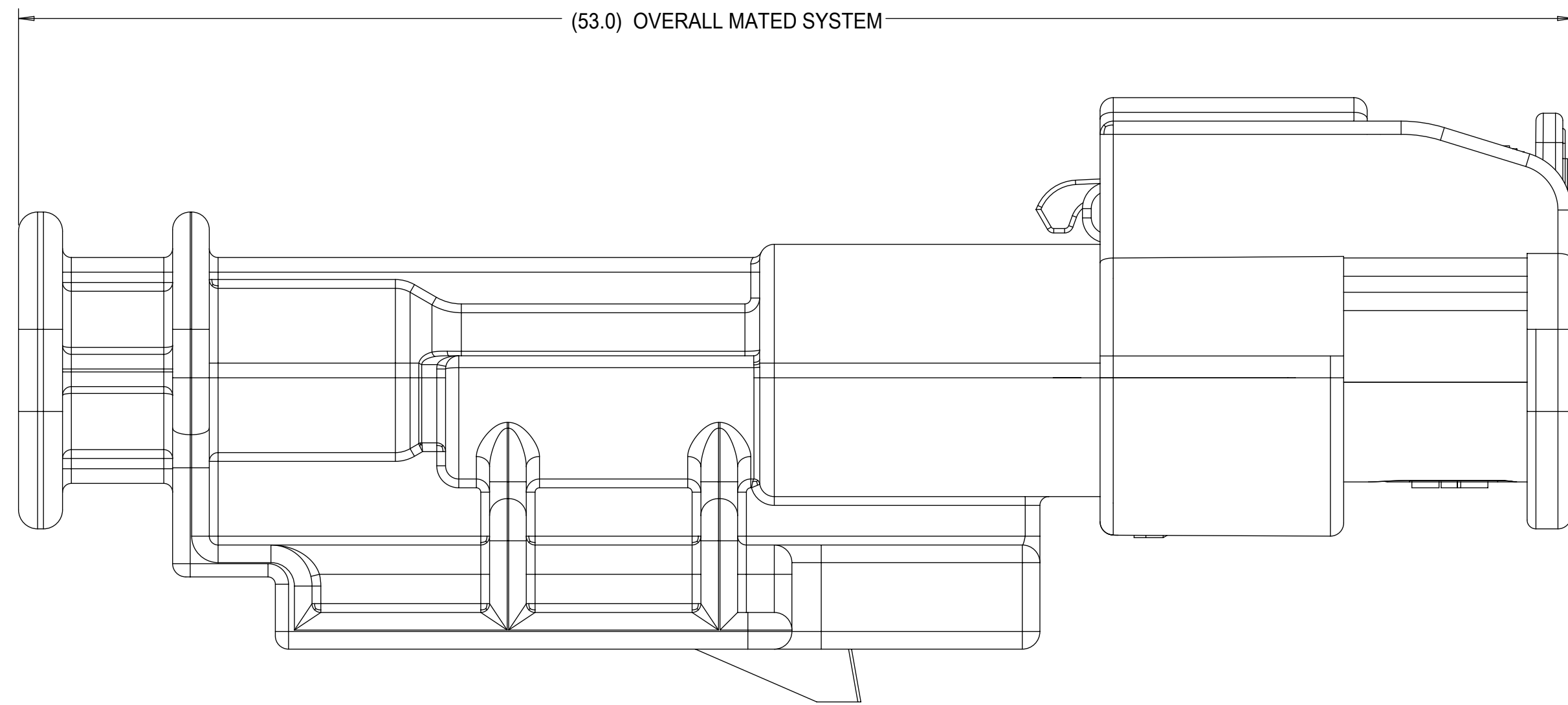


PRIMARY LOCK REINFORCEMENT (PLR) SHOWN
IN THE FINAL-LOCK POSITION
SECTION X-X

1x3 BLADE SEALED ASSEMBLY, 40G CLIP SLOT	19	16.75	21.75
1x3 BLADE SEALED ASSEMBLY, 11mm CLIP SLOT	19	14.6	20.75
1x3 BLADE SEALED ASSEMBLY, 7mm CLIP SLOT	19	17	20.5
1x2 BLADE SEALED ASSEMBLY, 40G CLIP SLOT	15	16.75	20.25
1x2 BLADE SEALED ASSEMBLY, 11mm CLIP SLOT	15	15.5	19
1x2 BLADE SEALED ASSEMBLY, 7mm CLIP SLOT	15	17	18.75
CONFIGURATION	A	B	C
CHARTED DIMENSIONS			

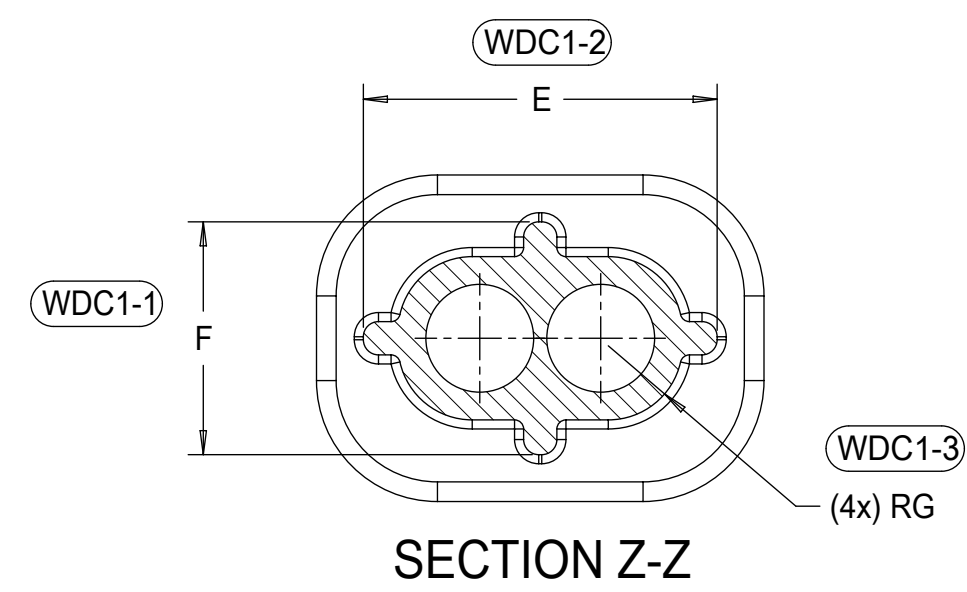
QUALITY SYMBOLS				THIS DRAWING CONTAINS INFORMATION THAT IS PROPRIETARY TO MOLEX ELECTRONIC TECHNOLOGIES, LLC AND SHOULD NOT BE USED WITHOUT WRITTEN PERMISSION					
▽ = 0	2017/04/11	2017/06/22	GENERAL TOLERANCES (UNLESS SPECIFIED)	DIMENSION UNITS	SCALE				
▽ = 0	EC NO: 117908 DRWN: VYARAPPA CHKD: REV APPR: KDEKOSKI	ANGULAR TOL ± 3.0 °	MM	4:1	1.2MM 1X2, 1X3 BLADE SEALED ASSEMBLY CABLE SEAL				
▽ = 0		4 PLACES ±	SKRAJENDRANA	2013/11/06					
▽ = 0		3 PLACES ±	CHKD BY	DATE					
▽ = 0	2 PLACES ± 0.1	APPR BY	DATE	PRODUCT CUSTOMER DRAWING		SERIES: 34899 MATERIAL NUMBER: SEE BOM CUSTOMER: GENERAL MARKET			
▽ = 0	1 PLACE ± 0.2	DRAWING SIZE	THIRD ANGLE PROJECTION						
▽ = 0	0 PLACES ± 0.5	D							
▽ = 0	DRAFT WHERE APPLICABLE MUST REMAIN WITHIN DIMENSIONS				DOCUMENT NUMBER: SD-34899-2001		DOC TYPE: PSD	DOC PART: 001	SHEET NUMBER: 5 OF 11

CONNECTION SYSTEM PACKAGING



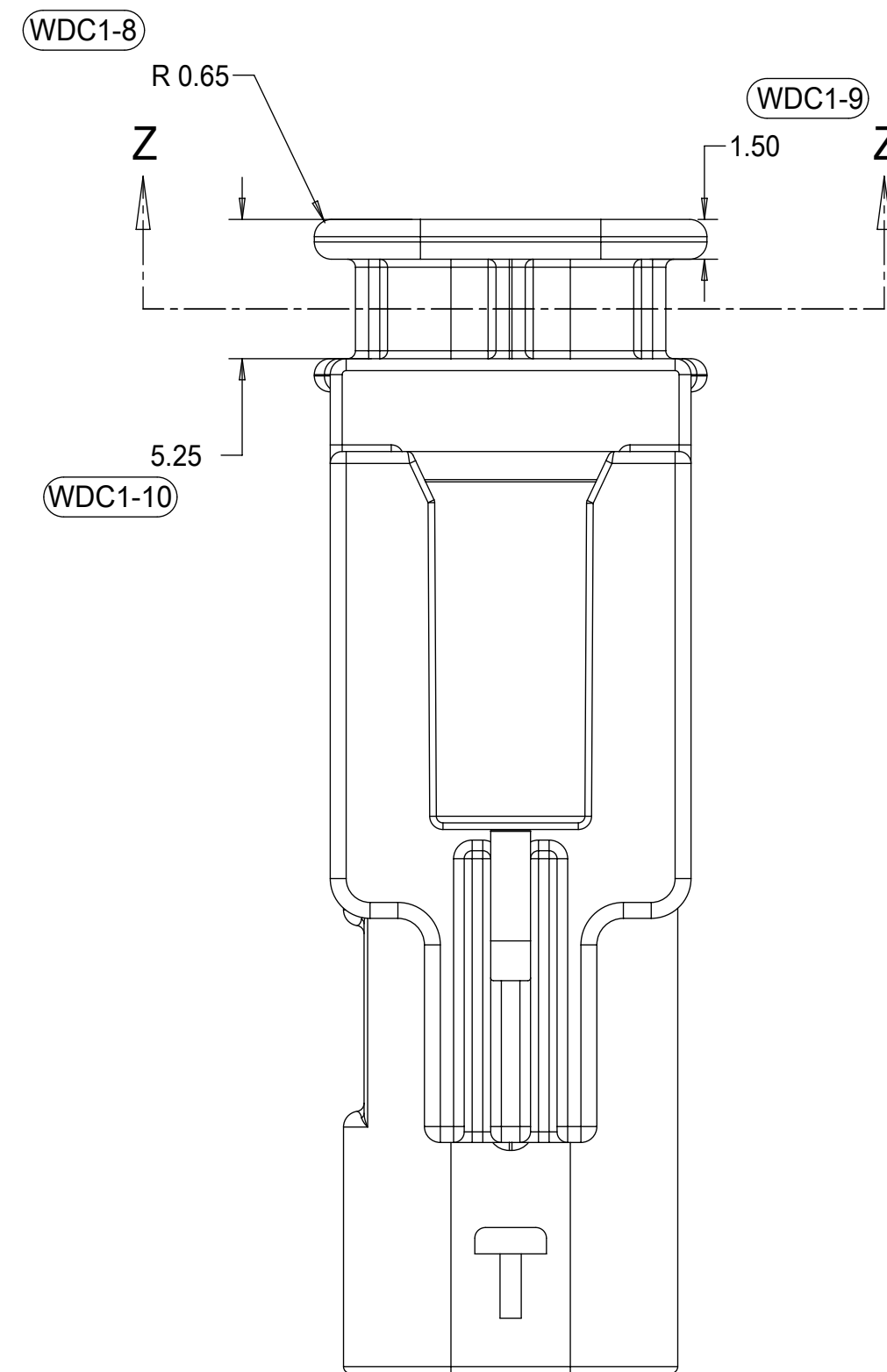
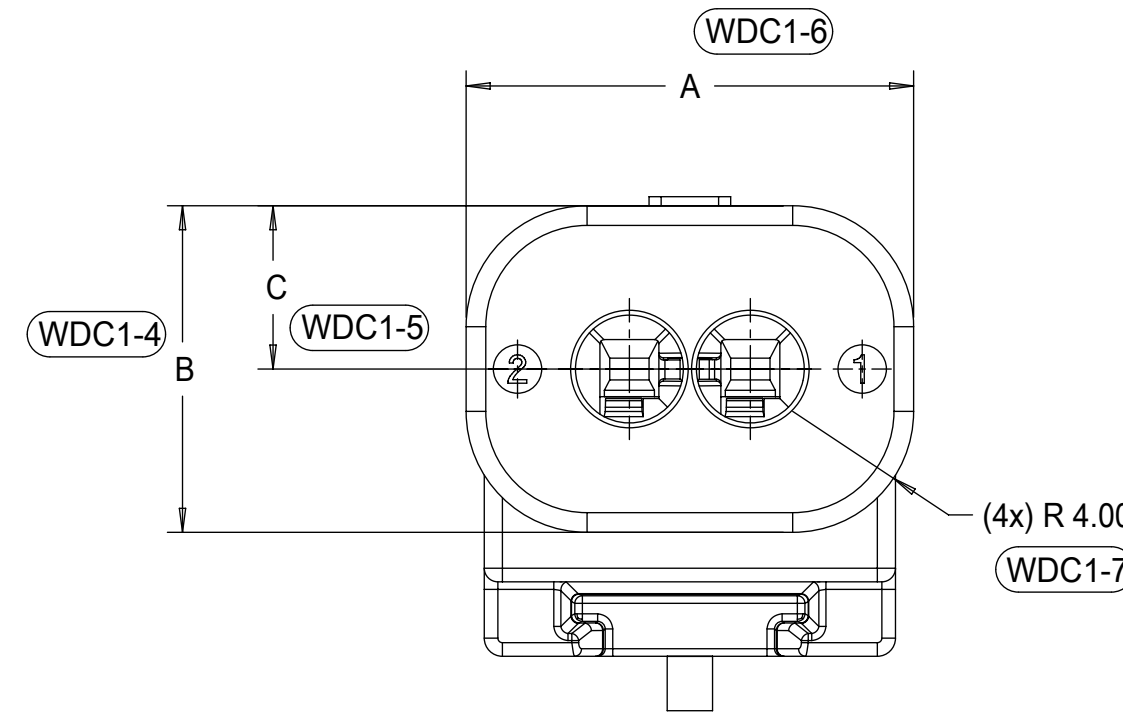
1x3 RECEPTACLE MATED TO 1x3 BLADE, 40 CLIP SLOT	TBD
1x3 RECEPTACLE MATED TO 1x3 BLADE, 11mm CLIP SLOT	24.0
1x3 RECEPTACLE MATED TO 1x3 BLADE, 7mm CLIP SLOT	23.0
1x2 RECEPTACLE MATED TO 1x2 BLADE, 40G CLIP SLOT	23.0
1x2 RECEPTACLE MATED TO 1x2 BLADE, 11mm CLIP SLOT	23.0
1x2 RECEPTACLE MATED TO 1x2 BLADE, 7mm CLIP SLOT	23.0
1.2mm CONNECTION SYSTEM CONFIGURATION	D
CHARTED DIMENSIONS	

QUALITY SYMBOLS 	THIS DRAWING CONTAINS INFORMATION THAT IS PROPRIETARY TO MOLEX ELECTRONIC TECHNOLOGIES, LLC AND SHOULD NOT BE USED WITHOUT WRITTEN PERMISSION												
	2017/04/11	2017/06/22	GENERAL TOLERANCES (UNLESS SPECIFIED)		DIMENSION UNITS	SCALE	molex 1.2MM 1X2, 1X3 BLADE SEALED ASSEMBLY CABLE SEAL						
	DRWN BY: VYARAPPA	CHKD: KDEKOSKI	ANGULAR TOL ± 3.0 °		MM	6:1							
	EC NO: 117908	REV APPR: KDEKOSKI	4 PLACES ±	3 PLACES ±	2 PLACES ± 0.1	1 PLACE ± 0.2	0 PLACES ± 0.5	SKRAJENDRANA	2013/11/06	PRODUCT CUSTOMER DRAWING			
A15		DRAFT WHERE APPLICABLE MUST REMAIN WITHIN DIMENSIONS	DRAWING SIZE	THIRD ANGLE PROJECTION	D		SERIES: 34899	MATERIAL NUMBER: SEE BOM	CUSTOMER: GENERAL MARKET	DOCUMENT NUMBER: SD-34899-2001	DOC TYPE: PSD	DOC PART: 001	SHEET NUMBER: 6 OF 11

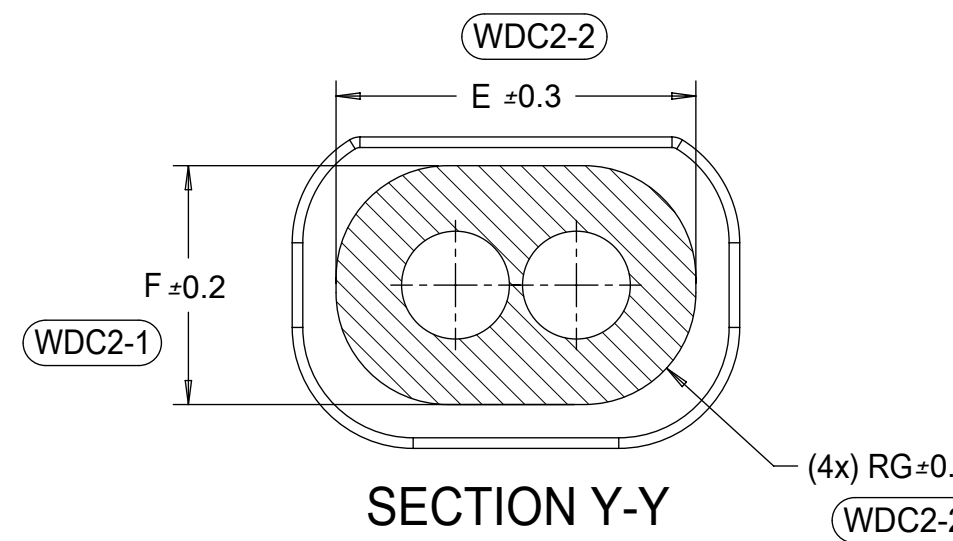


3 CIRCUIT	18.8	10.8	5.4	15.7	7.7	2.45
2 CIRCUIT	14.8	10.8	5.4	11.7	7.7	2.45
CONFIGURATION	A	B	C	E	F	G

CHARTED DIMENSIONS

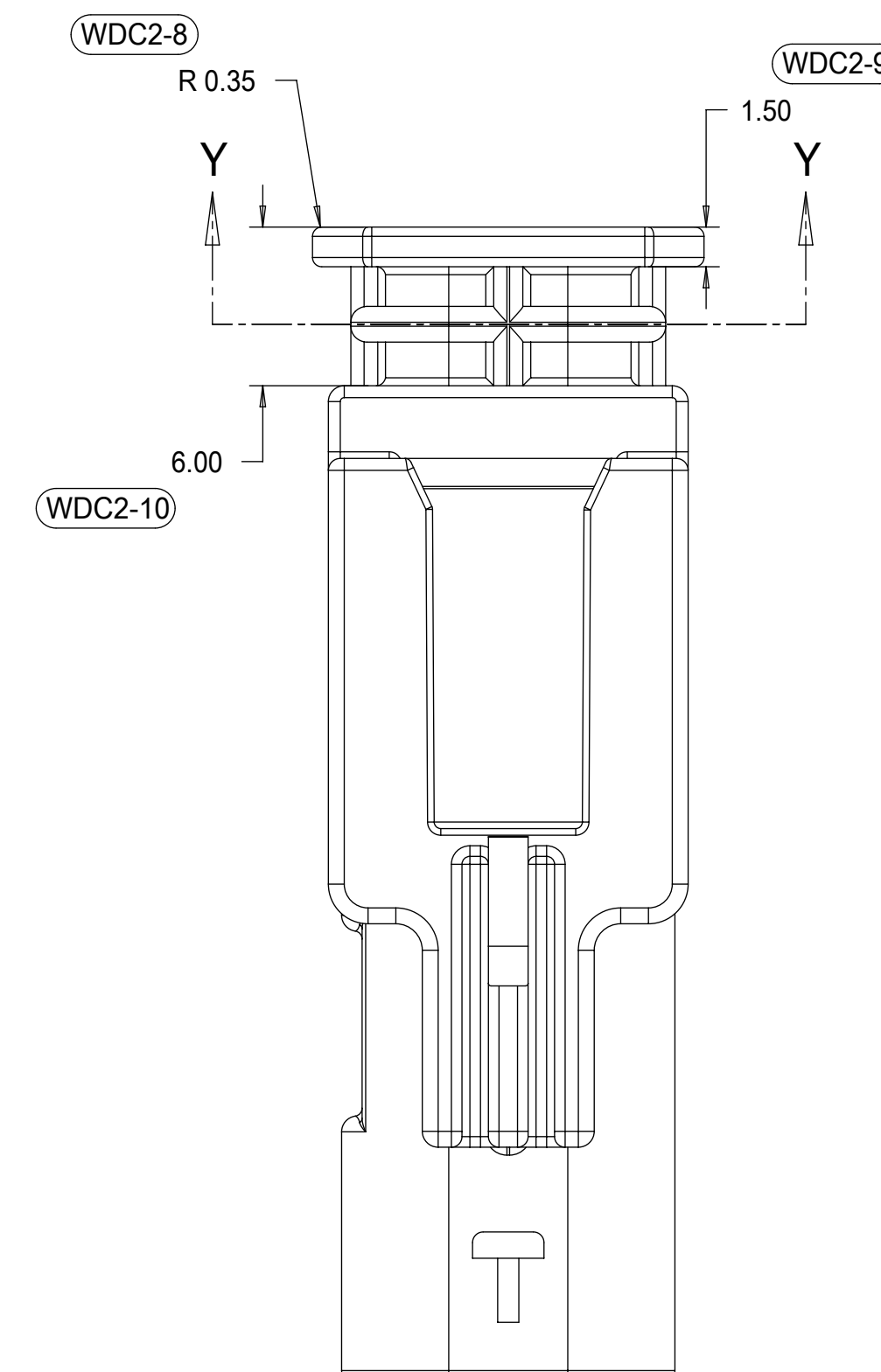
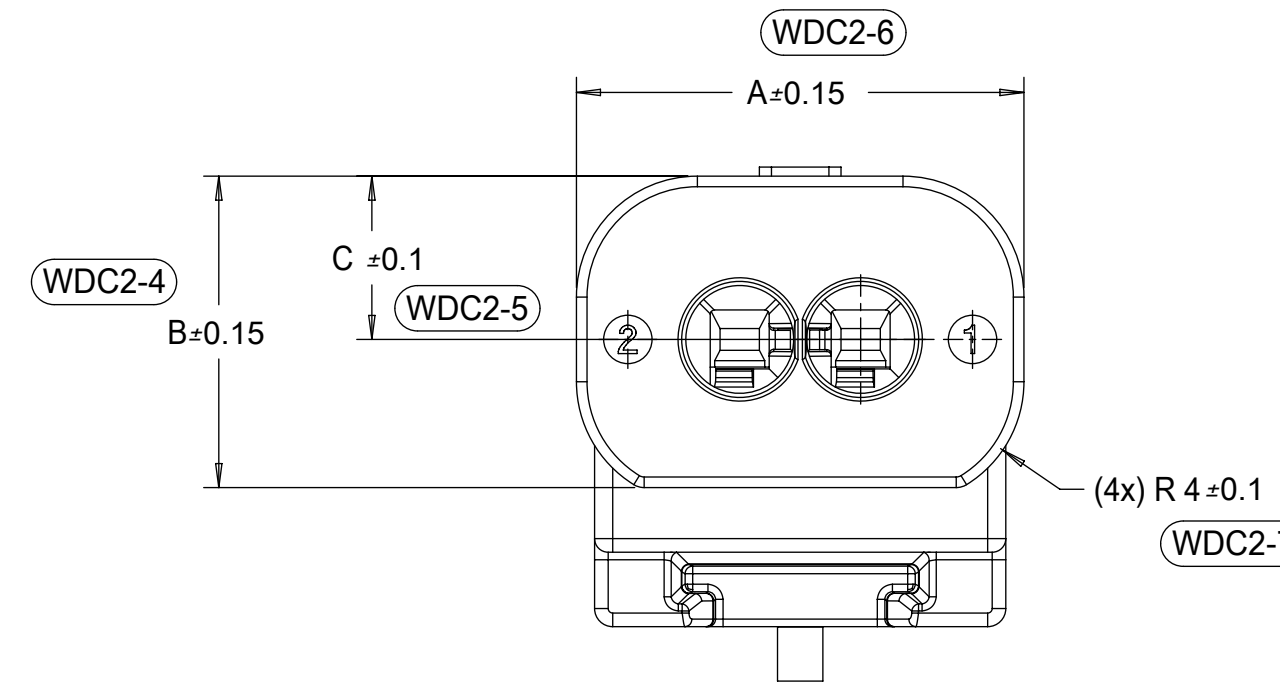


WIRE DRESS COVER
 INTERFACE OPTION 1
 WIRE DRESS COVERS
 NOT AVAILABLE



3 CIRCUIT	18.8	10.8	5.4	15.9	7.9	3.7
2 CIRCUIT	14.8	10.3	5.4	11.9	7.9	3.7
CONFIGURATION	A	B	C	E	F	G

CHARTED DIMENSIONS



WIRE DRESS COVER
 INTERFACE OPTION 2
 BASED ON HIRSCHMANN INTERFACE
 DRAWING 808-012-xxx REV B5

QUALITY SYMBOLS 	THIS DRAWING CONTAINS INFORMATION THAT IS PROPRIETARY TO MOLEX ELECTRONIC TECHNOLOGIES, LLC AND SHOULD NOT BE USED WITHOUT WRITTEN PERMISSION										
	EC NO: 117908 DRWN: VYARAPPA CHKD: REV APPR: KDEKOSKI	2017/04/11 2017/06/22	GENERAL TOLERANCES (UNLESS SPECIFIED) ANGULAR TOL ± 3.0 ° 4 PLACES ± 3 PLACES ± 2 PLACES ± 0.1 1 PLACE ± 0.2 0 PLACES ± 0.5 DRAFT WHERE APPLICABLE MUST REMAIN WITHIN DIMENSIONS	DIMENSION UNITS: MM SCALE: 4:1 DRWN BY: SKRAJENDRANA DATE: 2013/11/06 CHKD BY: DATE: APPR BY: DATE:	DRAWING SIZE: D THIRD ANGLE PROJECTION:	 1.2MM 1X2, 1X3 BLADE SEALED ASSEMBLY CABLE SEAL					
	PRODUCT CUSTOMER DRAWING					SERIES: 34899	MATERIAL NUMBER: SEE TABLE	CUSTOMER: GENERAL MARKET			
	RELEASE STATUS: P1		RELEASE DATE: 22.06.2017 19:25:24		DOCUMENT NUMBER: SD-34899-2001		DOC TYPE: PSD		DOC PART: 001		SHEET NUMBER: 7 OF 11

1x2 BLADE SEALED ASSEMBLY BOM
FOR WIRE DRESS COVER INTERFACE 1
REFER WIRE DRESS COVER INTERFACE SHEET
FOR DETAILS

KEYING OPTION E, 11mm CLIP SLOT, STONE GRAY	34899-2043	1																	E	CONCEPT	
KEYING OPTION C, 11mm CLIP SLOT, DARK GRAY	34899-2042	1																	C	CONCEPT	
KEYING OPTION B, 11mm CLIP SLOT, LIGHT GRAY	34899-2041	1																	B	CONCEPT	
KEYING OPTION A, 11mm CLIP SLOT, BLACK	34899-2040	1																	A	CONCEPT	
KEYING OPTION E, 11mm CLIP SLOT, YELLOW	34899-2033	1																	E	CONCEPT	
KEYING OPTION C, 11mm CLIP SLOT, YELLOW	34899-2032	1																	C	CONCEPT	
KEYING OPTION B, 11mm CLIP SLOT, YELLOW	34899-2031	1																	B	CONCEPT	
KEYING OPTION A, 11mm CLIP SLOT, YELLOW	34899-2030	1																	A	CONCEPT	
KEYING OPTION E, 7mm CLIP SLOT, STONE GRAY	34899-2023	1																	E	TOOLED BUT NOT VALIDATED	
KEYING OPTION C, 7mm CLIP SLOT, DARK GRAY	34899-2022	1																	C	SALEABLE	
KEYING OPTION B, 7mm CLIP SLOT, LIGHT GRAY	34899-2021	1																	B	SALEABLE	
KEYING OPTION A, 7mm CLIP SLOT, BLACK	34899-2020	1																	A	SALEABLE	
KEYING OPTION E, 7mm CLIP SLOT, YELLOW	34899-2013	1																	E	TOOLED BUT NOT VALIDATED	
KEYING OPTION C, 7mm CLIP SLOT, YELLOW	34899-2012	1																	C	SALEABLE	
KEYING OPTION B, 7mm CLIP SLOT, YELLOW	34899-2011	1																	B	SALEABLE	
KEYING OPTION A, 7mm CLIP SLOT, YELLOW	34899-2010	1																	A	SALEABLE	
ASSEMBLY DESCRIPTION	ASSEMBLY PART NUMBER	WIRE DRESS COVER INTERFACE OPTION																		PRODUCTION TOOL STATUS	COMMENTS

DESCRIPTION	COLOR	MATERIAL
PLR		
1x2 CONNECTOR HOUSING, KEYING OPTION E 11mm CLIP SLOT	STONE GRAY	SPS/NYLON GF20
1x2 CONNECTOR HOUSING, KEYING OPTION C 11mm CLIP SLOT	DARK GRAY	SPS/NYLON GF20
1x2 CONNECTOR HOUSING, KEYING OPTION B 11mm CLIP SLOT	LIGHT GRAY	SPS/NYLON GF20
1x2 CONNECTOR HOUSING, KEYING OPTION A 11mm CLIP SLOT	BLACK	SPS/NYLON GF20
1x2 CONNECTOR HOUSING, KEYING OPTION E 11mm CLIP SLOT	YELLOW	SPS/NYLON GF20
1x2 CONNECTOR HOUSING, KEYING OPTION C 11mm CLIP SLOT	YELLOW	SPS/NYLON GF20
1x2 CONNECTOR HOUSING, KEYING OPTION B 11mm CLIP SLOT	YELLOW	SPS/NYLON GF20
1x2 CONNECTOR HOUSING, KEYING OPTION A 11mm CLIP SLOT	YELLOW	SPS/NYLON GF20
1x2 CONNECTOR HOUSING, KEYING OPTION E 7mm CLIP SLOT	STONE GRAY	SPS/NYLON GF20
1x2 CONNECTOR HOUSING, KEYING OPTION C 7mm CLIP SLOT	DARK GRAY	SPS/NYLON GF20
1x2 CONNECTOR HOUSING, KEYING OPTION B 7mm CLIP SLOT	LIGHT GRAY	SPS/NYLON GF20
1x2 CONNECTOR HOUSING, KEYING OPTION A 7mm CLIP SLOT	BLACK	SPS/NYLON GF20
1x2 CONNECTOR HOUSING, KEYING OPTION E 7mm CLIP SLOT	YELLOW	SPS/NYLON GF20
1x2 CONNECTOR HOUSING, KEYING OPTION C 7mm CLIP SLOT	YELLOW	SPS/NYLON GF20
1x2 CONNECTOR HOUSING, KEYING OPTION B 7mm CLIP SLOT	YELLOW	SPS/NYLON GF20
1x2 CONNECTOR HOUSING, KEYING OPTION A 7mm CLIP SLOT	YELLOW	SPS/NYLON GF20
DESCRIPTION	COLOR	MATERIAL
BOM/APPLICABLE COMPONENTS TABLE		

ABBREVIATION	COMPONENT
A	CONNECTOR HOUSING KEYING OPTION A
B	CONNECTOR HOUSING KEYING OPTION B
C	CONNECTOR HOUSING KEYING OPTION C
E	CONNECTOR HOUSING KEYING OPTION E

QUALITY SYMBOLS 	THIS DRAWING CONTAINS INFORMATION THAT IS PROPRIETARY TO MOLEX ELECTRONIC TECHNOLOGIES, LLC AND SHOULD NOT BE USED WITHOUT WRITTEN PERMISSION		
	EC NO: 117908 DRWN: VYARAPPA CHKD: REV APPR: KDEKOSKI	2017/04/11 2017/06/22	GENERAL TOLERANCES (UNLESS SPECIFIED) DIMENSION UNITS: MM SCALE: 2:1 DRWN BY: SKRAJENDRANA DATE: 2013/11/06 ANGULAR TOL ± 3.0 ° 4 PLACES ± 3 PLACES ± 2 PLACES ± 0.1 1 PLACE ± 0.2 0 PLACES ± 0.5 DRAFT WHERE APPLICABLE MUST REMAIN WITHIN DIMENSIONS
	DIMENSION UNITS: MM SCALE: 2:1 DRWN BY: SKRAJENDRANA DATE: 2013/11/06 CHKD BY: APPR BY: DATE: DRAUGHTING: D THIRD ANGLE PROJECTION		
	PRODUCT CUSTOMER DRAWING SERIES: 34899 MATERIAL NUMBER: SEE BOM CUSTOMER: GENERAL MARKET		
	DOCUMENT NUMBER: SD-34899-2001 DOC TYPE: PSD DOC PART: 001 SHEET NUMBER: 8 OF 11		

1x2 BLADE SEALED ASSEMBLY BOM

FOR WIRE DRESS COVER INTERFACE 2

REFER WIRE DRESS COVER INTERFACE SHEET FOR DETAILS

KEYING OPTION A, 40G CLIP SLOT, BLACK	34899-2060	2								A	OK TO TOOL	
KEYING OPTION A, 40G CLIP SLOT, YELLOW	34899-2050	2								A	OK TO TOOL	
KEYING OPTION E, 7mm CLIP SLOT, STONE GRAY	34899-2083	2							E		OK TO TOOL	
KEYING OPTION C, 7mm CLIP SLOT, DARK GRAY	34899-2082	2							C		SALEABLE	
KEYING OPTION B, 7mm CLIP SLOT, LIGHT GRAY	34899-2081	2							B		SALEABLE	
KEYING OPTION A, 7mm CLIP SLOT, BLACK	34899-2080	2							A		SALEABLE	
KEYING OPTION E, 7mm CLIP SLOT, YELLOW	34899-2073	2						E			OK TO TOOL	
KEYING OPTION C, 7mm CLIP SLOT, YELLOW	34899-2072	2						C			SALEABLE	
KEYING OPTION B, 7mm CLIP SLOT, YELLOW	34899-2071	2						B			SALEABLE	
KEYING OPTION A, 7mm CLIP SLOT, YELLOW	34899-2070	2						A			SALEABLE	
ASSEMBLY DESCRIPTION	ASSEMBLY PART NUMBER	WIRE DRESS COVER INTERFACE OPTION									PRODUCTION TOOL STATUS	COMMENTS

DESCRIPTION	COLOR	MATERIAL
PLR		
1x2 CONNECTOR HOUSING, KEYING OPTION A 40G CLIP SLOT	BLACK	SPS/NYLON GF20
1x2 CONNECTOR HOUSING, KEYING OPTION A 40G CLIP SLOT	YELLOW	SPS/NYLON GF20
1x2 CONNECTOR HOUSING, KEYING OPTION E 7mm CLIP SLOT	STONE GRAY	SPS/NYLON GF20
1x2 CONNECTOR HOUSING, KEYING OPTION C 7mm CLIP SLOT	DARK GRAY	SPS/NYLON GF20
1x2 CONNECTOR HOUSING, KEYING OPTION B 7mm CLIP SLOT	LIGHT GRAY	SPS/NYLON GF20
1x2 CONNECTOR HOUSING, KEYING OPTION A 7mm CLIP SLOT	BLACK	SPS/NYLON GF20
1x2 CONNECTOR HOUSING, KEYING OPTION E 7mm CLIP SLOT	YELLOW	SPS/NYLON GF20
1x2 CONNECTOR HOUSING, KEYING OPTION C 7mm CLIP SLOT	YELLOW	SPS/NYLON GF20
1x2 CONNECTOR HOUSING, KEYING OPTION B 7mm CLIP SLOT	YELLOW	SPS/NYLON GF20
1x2 CONNECTOR HOUSING, KEYING OPTION A 7mm CLIP SLOT	YELLOW	SPS/NYLON GF20
DESCRIPTION	COLOR	MATERIAL

BOM/APPLICABLE COMPONENTS TABLE

ABBREVIATION	COMPONENT
A	CONNECTOR HOUSING KEYING OPTION A
B	CONNECTOR HOUSING KEYING OPTION B
C	CONNECTOR HOUSING KEYING OPTION C
E	CONNECTOR HOUSING KEYING OPTION E

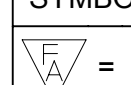
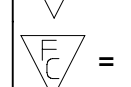

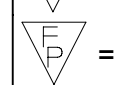
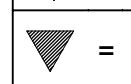
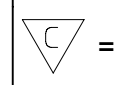
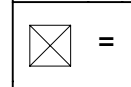
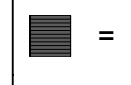
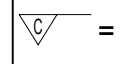
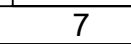
QUALITY SYMBOLS	THIS DRAWING CONTAINS INFORMATION THAT IS PROPRIETARY TO MOLEX ELECTRONIC TECHNOLOGIES, LLC AND SHOULD NOT BE USED WITHOUT WRITTEN PERMISSION			
□ = 0 □ = 0 □ = 0 ▽ = 0 □ = 0 □ = 0 □ = 0 □ = 0	DRWN BY: 2017/04/11	DATE: 2017/06/22	GENERAL TOLERANCES (UNLESS SPECIFIED)	DIMENSION UNITS: MM
			ANGULAR TOL ± 3.0 °	SCALE: SKRAJENDRANA 2013/11/06
			4 PLACES ±	DRWN BY: SKRAJENDRANA
			3 PLACES ±	DATE: 2013/11/06
		2 PLACES ± 0.1	CHKD BY:	
		1 PLACE ± 0.2	DATE:	
		0 PLACES ± 0.5	APPR BY:	
		DRAFT WHERE APPLICABLE MUST REMAIN WITHIN DIMENSIONS	DRAWING SIZE: D	THIRD ANGLE PROJECTION
EC NO: 117908		DRWN: VYARAPPA	CHKD:	APPR: KDEKOSKI
A15				
SERIES: 34899		MATERIAL NUMBER: SEE BOM		CUSTOMER: GENERAL MARKET
DOCUMENT NUMBER: SD-34899-2001		DOC TYPE: PSD	DOC PART: 001	SHEET NUMBER: 9 OF 11

1x3 BLADE SEALED ASSEMBLY BOM
FOR WIRE DRESS COVER INTERFACE 1
REFER WIRE DRESS COVER INTERFACE SHEET
FOR DETAILS

ASSEMBLY DESCRIPTION	ASSEMBLY PART NUMBER	WIRE DRESS COVER INTERFACE OPTION	PRODUCTION TOOL STATUS	COMMENTS	MODEL NUMBER
KEYING OPTION D, 11mm CLIP SLOT, STONE GRAY	34899-3043	1			EM-34899-3033
KEYING OPTION C, 11mm CLIP SLOT, DARK GRAY	34899-3042	1			EM-34899-3032
KEYING OPTION B, 11mm CLIP SLOT, LIGHT GRAY	34899-3041	1			EM-34899-3031
KEYING OPTION A, 11mm CLIP SLOT, BLACK	34899-3040	1			EM-34899-3030
KEYING OPTION D, 11mm CLIP SLOT, YELLOW	34899-3033	1			EM-34899-3033
KEYING OPTION C, 11mm CLIP SLOT, YELLOW	34899-3032	1			EM-34899-3032
KEYING OPTION B, 11mm CLIP SLOT, YELLOW	34899-3031	1			EM-34899-3031
KEYING OPTION A, 11mm CLIP SLOT, YELLOW	34899-3030	1			EM-34899-3030
KEYING OPTION D, 7mm CLIP SLOT, STONE GRAY	34899-3023	1			EM-34899-3013
KEYING OPTION C, 7mm CLIP SLOT, DARK GRAY	34899-3022	1			EM-34899-3012
KEYING OPTION B, 7mm CLIP SLOT, LIGHT GRAY	34899-3021	1			EM-34899-3011
KEYING OPTION A, 7mm CLIP SLOT, BLACK	34899-3020	1			EM-34899-3010
KEYING OPTION D, 7mm CLIP SLOT, YELLOW	34899-3013	1			EM-34899-3013
KEYING OPTION C, 7mm CLIP SLOT, YELLOW	34899-3012	1			EM-34899-3012
KEYING OPTION B, 7mm CLIP SLOT, YELLOW	34899-3011	1			EM-34899-3011
KEYING OPTION A, 7mm CLIP SLOT, YELLOW	34899-3010	1			EM-34899-3010

DESCRIPTION	COLOR	MATERIAL
PLR		
1x3 CONNECTOR HOUSING, KEYING OPTION D 11mm CLIP SLOT	STONE GRAY	SPS/NYLON GF20
1x3 CONNECTOR HOUSING, KEYING OPTION C 11mm CLIP SLOT	DARK GRAY	SPS/NYLON GF20
1x3 CONNECTOR HOUSING, KEYING OPTION B 11mm CLIP SLOT	LIGHT GRAY	SPS/NYLON GF20
1x3 CONNECTOR HOUSING, KEYING OPTION A 11mm CLIP SLOT	BLACK	SPS/NYLON GF20
1x3 CONNECTOR HOUSING, KEYING OPTION D 11mm CLIP SLOT	YELLOW	SPS/NYLON GF20
1x3 CONNECTOR HOUSING, KEYING OPTION C 11mm CLIP SLOT	YELLOW	SPS/NYLON GF20
1x3 CONNECTOR HOUSING, KEYING OPTION B 11mm CLIP SLOT	YELLOW	SPS/NYLON GF20
1x3 CONNECTOR HOUSING, KEYING OPTION A 11mm CLIP SLOT	YELLOW	SPS/NYLON GF20
1x3 CONNECTOR HOUSING, KEYING OPTION D 7mm CLIP SLOT	STONE GRAY	SPS/NYLON GF20
1x3 CONNECTOR HOUSING, KEYING OPTION C 7mm CLIP SLOT	DARK GRAY	SPS/NYLON GF20
1x3 CONNECTOR HOUSING, KEYING OPTION B 7mm CLIP SLOT	LIGHT GRAY	SPS/NYLON GF20
1x3 CONNECTOR HOUSING, KEYING OPTION A 7mm CLIP SLOT	BLACK	SPS/NYLON GF20
1x3 CONNECTOR HOUSING, KEYING OPTION D 7mm CLIP SLOT	YELLOW	SPS/NYLON GF20
1x3 CONNECTOR HOUSING, KEYING OPTION C 7mm CLIP SLOT	YELLOW	SPS/NYLON GF20
1x3 CONNECTOR HOUSING, KEYING OPTION B 7mm CLIP SLOT	YELLOW	SPS/NYLON GF20
1x3 CONNECTOR HOUSING, KEYING OPTION A 7mm CLIP SLOT	YELLOW	SPS/NYLON GF20

ABBREVIATION	COMPONENT
A	CONNECTOR HOUSING KEYING OPTION A
B	CONNECTOR HOUSING KEYING OPTION B
C	CONNECTOR HOUSING KEYING OPTION C
D	CONNECTOR HOUSING KEYING OPTION D

QUALITY SYMBOLS	THIS DRAWING CONTAINS INFORMATION THAT IS PROPRIETARY TO MOLEX ELECTRONIC TECHNOLOGIES, LLC AND SHOULD NOT BE USED WITHOUT WRITTEN PERMISSION						
 = 0	EC NO: 117908 DRWN: VYARAPPA CHKD: REV APPR: KDEKOSKI	2017/04/11 2017/06/22	GENERAL TOLERANCES (UNLESS SPECIFIED)				
 = 0			DIMENSION UNITS	SCALE	 1.2MM 1X2, 1X3 BLADE SEALED ASSEMBLY CABLE SEAL PRODUCT CUSTOMER DRAWING		
 = 0			MM				
 = 0			ANGULAR TOL ± 3.0 °	DRWN BY			DATE
 = 0			4 PLACES ±	SKRAJENDRANA			2013/11/06
 = 0	3 PLACES ±	CHKD BY	DATE				
 = 0	2 PLACES ± 0.1	APPR BY		DATE			
 = 0	1 PLACE ± 0.2	DRAWING SIZE		THIRD ANGLE PROJECTION			
 = 0	0 PLACES ± 0.5	DRAFT WHERE APPLICABLE MUST REMAIN WITHIN DIMENSIONS					
= 0	SERIES		MATERIAL NUMBER	CUSTOMER			
= 0	A15		34899	SEE BOM			
= 0	DOCUMENT NUMBER		DOC TYPE	DOC PART SHEET NUMBER			
= 0	SD-34899-2001		PSD	001 10 OF 11			

KEYING OPTION A, 40-G CLIP SLOT, BLACK	34899-3060	2																				A	CONCEPT	EM-34899-3050	
KEYING OPTION A, 40-G CLIP SLOT, YELLOW	34899-3050	2																				A	CONCEPT	EM-34899-3050	
KEYING OPTION D, 11mm CLIP SLOT, STONE GRAY	34899-3123	2																				D	OK TO TOOL	EM-34899-3033	
KEYING OPTION C, 11mm CLIP SLOT, DARK GRAY	34899-3122	2																				C	OK TO TOOL	EM-34899-3032	
KEYING OPTION B, 11mm CLIP SLOT, LIGHT GRAY	34899-3121	2																				B	SALEABLE	EM-34899-3031	
KEYING OPTION A, 11mm CLIP SLOT, BLACK	34899-3120	2																				A	SALEABLE	EM-34899-3030	
KEYING OPTION D, 11mm CLIP SLOT, YELLOW	34899-3113	2																				D	OK TO TOOL	EM-34899-3033	
KEYING OPTION C, 11mm CLIP SLOT, YELLOW	34899-3112	2																				C	OK TO TOOL	EM-34899-3032	
KEYING OPTION B, 11mm CLIP SLOT, YELLOW	34899-3111	2																				B	SALEABLE	EM-34899-3031	
KEYING OPTION A, 11mm CLIP SLOT, YELLOW	34899-3110	2																				A	SALEABLE	EM-34899-3030	
KEYING OPTION D, 7mm CLIP SLOT, STONE GRAY	34899-3083	2																				D	OK TO TOOL	EM-34899-3073	
KEYING OPTION C, 7mm CLIP SLOT, DARK GRAY	34899-3082	2																				C	OK TO TOOL	EM-34899-3072	
KEYING OPTION B, 7mm CLIP SLOT, LIGHT GRAY	34899-3081	2																				B	SALEABLE	EM-34899-3071	
KEYING OPTION A, 7mm CLIP SLOT, BLACK	34899-3080	2																				A	SALEABLE	EM-34899-3070	
KEYING OPTION D, 7mm CLIP SLOT, YELLOW	34899-3073	2																				D	OK TO TOOL	EM-34899-3073	
KEYING OPTION C, 7mm CLIP SLOT, YELLOW	34899-3072	2																				C	OK TO TOOL	EM-34899-3072	
KEYING OPTION B, 7mm CLIP SLOT, YELLOW	34899-3071	2																				B	SALEABLE	EM-34899-3071	
KEYING OPTION A, 7mm CLIP SLOT, YELLOW	34899-3070	2																				A	SALEABLE	EM-34899-3070	
ASSEMBLY DESCRIPTION	ASSEMBLY PART NUMBER	WIRE DRESS COVER INTERFACE OPTION																					PRODUCTION TOOL STATUS	COMMENTS	MODEL NUMBER

1x3 BLADE SEALED ASSEMBLY BOM FOR WIRE DRESS COVER INTERFACE 2 REFER WIRE DRESS COVER INTERFACE SHEET FOR DETAILS

PLR	NATURAL	SPS/NYLON GF20
1x3 CONNECTOR HOUSING, KEYING OPTION A 40G CLIP SLOT	BLACK	SPS/NYLON GF20
1x3 CONNECTOR HOUSING, KEYING OPTION A 40G CLIP SLOT	YELLOW	SPS/NYLON GF20
1x3 CONNECTOR HOUSING, KEYING OPTION D 11mm CLIP SLOT	STONE GRAY	SPS/NYLON GF20
1x3 CONNECTOR HOUSING, KEYING OPTION C 11mm CLIP SLOT	DARK GRAY	SPS/NYLON GF20
1x3 CONNECTOR HOUSING, KEYING OPTION B 11mm CLIP SLOT	LIGHT GRAY	SPS/NYLON GF20
1x3 CONNECTOR HOUSING, KEYING OPTION A 11mm CLIP SLOT	BLACK	SPS/NYLON GF20
1x3 CONNECTOR HOUSING, KEYING OPTION D 11mm CLIP SLOT	YELLOW	SPS/NYLON GF20
1x3 CONNECTOR HOUSING, KEYING OPTION C 11mm CLIP SLOT	YELLOW	SPS/NYLON GF20
1x3 CONNECTOR HOUSING, KEYING OPTION B 11mm CLIP SLOT	YELLOW	SPS/NYLON GF20
1x3 CONNECTOR HOUSING, KEYING OPTION A 11mm CLIP SLOT	YELLOW	SPS/NYLON GF20
1x3 CONNECTOR HOUSING, KEYING OPTION D 7mm CLIP SLOT	STONE GRAY	SPS/NYLON GF20
1x3 CONNECTOR HOUSING, KEYING OPTION C 7mm CLIP SLOT	DARK GRAY	SPS/NYLON GF20
1x3 CONNECTOR HOUSING, KEYING OPTION B 7mm CLIP SLOT	LIGHT GRAY	SPS/NYLON GF20
1x3 CONNECTOR HOUSING, KEYING OPTION A 7mm CLIP SLOT	BLACK	SPS/NYLON GF20
1x3 CONNECTOR HOUSING, KEYING OPTION D 7mm CLIP SLOT	YELLOW	SPS/NYLON GF20
1x3 CONNECTOR HOUSING, KEYING OPTION C 7mm CLIP SLOT	YELLOW	SPS/NYLON GF20
1x3 CONNECTOR HOUSING, KEYING OPTION B 7mm CLIP SLOT	YELLOW	SPS/NYLON GF20
1x3 CONNECTOR HOUSING, KEYING OPTION A 7mm CLIP SLOT	YELLOW	SPS/NYLON GF20
DESCRIPTION	COLOR	MATERIAL

BOM/APPLICABLE COMPONENTS TABLE

LEGEND TABLE

ABBREVIATION	COMPONENT
A	CONNECTOR HOUSING KEYING OPTION A
B	CONNECTOR HOUSING KEYING OPTION B
C	CONNECTOR HOUSING KEYING OPTION C
D	CONNECTOR HOUSING KEYING OPTION D

THIS DRAWING CONTAINS INFORMATION THAT IS PROPRIETARY TO MOLEX ELECTRONIC TECHNOLOGIES, LLC AND SHOULD NOT BE USED WITHOUT WRITTEN PERMISSION

QUALITY SYMBOLS	DRWN: VYARAPPA	2017/04/11	2017/06/22	GENERAL TOLERANCES (UNLESS SPECIFIED)	DIMENSION UNITS	SCALE
= 0	EC NO: 117908			ANGULAR TOL ± 3.0 °	MM	
= 0	CHKD:			4 PLACES ±	DRWN BY	DATE
= 0	REV APPR: KDEKOSKI			3 PLACES ±	SKRAJENDRANA	2013/11/06
= 0				2 PLACES ± 0.1	CHKD BY	DATE
= 0				1 PLACE ± 0.2	APPR BY	DATE
= 0				0 PLACES ± 0.5	DRAWING SIZE	THIRD ANGLE PROJECTION
= 0				DRAFT WHERE APPLICABLE MUST REMAIN WITHIN DIMENSIONS	D	

1.2MM 1X2, 1X3 BLADE SEALED ASSEMBLY CABLE SEAL

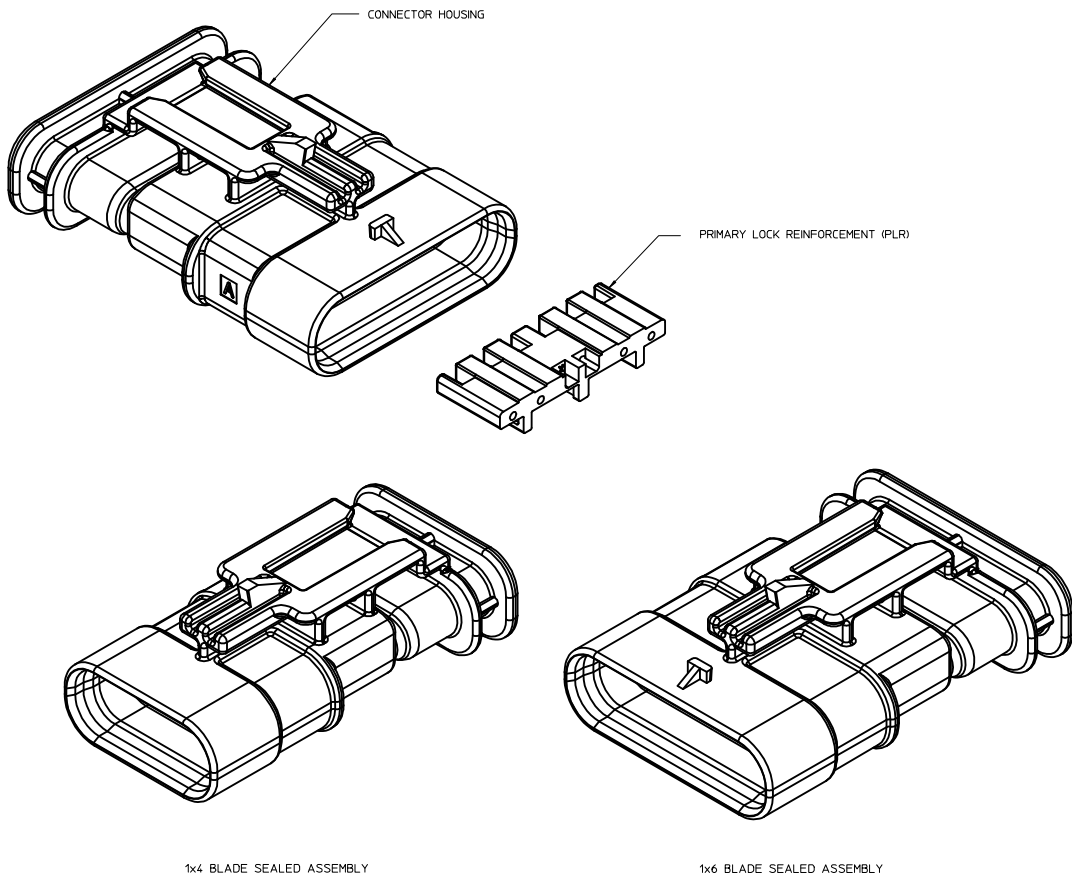
PRODUCT CUSTOMER DRAWING

SERIES	MATERIAL NUMBER	CUSTOMER
34899	SEE BOM	GENERAL MARKET

DOCUMENT NUMBER	DOC TYPE	DOC PART	SHEET NUMBER
SD-34899-2001	PSD	001	11 OF 11

TABLE OF CONTENTS

SHEET NO.	SHEET DESCRIPTION
1	NOTES
2	1x4 BLADE SEALED ASSEMBLY KEYING CONFIGURATIONS
3	1x6 BLADE SEALED ASSEMBLY KEYING CONFIGURATIONS
4	CLIP SLOT CONFIGURATIONS
5	BLADE SEALED ASSEMBLY
6	CONNECTION SYSTEM PACKAGING
7	WIRE DRESS COVER INTERFACE OPTIONS
8	1x4 BLADE SEALED ASSEMBLY BOM INTERFACE OPTION 1
9	1x4 BLADE SEALED ASSEMBLY BOM INTERFACE OPTION 2
10	1x6 BLADE SEALED ASSEMBLY BOM INTERFACE OPTION 1
11	1x6 BLADE SEALED ASSEMBLY BOM INTERFACE OPTION 2



NOTES: VALID UNLESS OTHERWISE SPECIFIED

1. GENERAL:
 a. APPLICATION SPECIFICATION SEE: AS-34900-0001
 CONTAINS: PRODUCT INTRODUCTION, PRODUCT SUMMARY, CONNECTOR ASSEMBLY, PACKAGING INFORMATION, CONNECTOR MATING, SERVICE INSTRUCTIONS, ELECTRICAL CONTINUITY CHECKING, CRIMPING, AND TROUBLESHOOTING.
 b. PRODUCT SPECIFICATION SEE: PS-34900-0001
 CONTAINS: PRODUCT INTRODUCTION, PRODUCT SUMMARY, RATINGS (CURRENT, TEMPERATURE, SEALING, AND FLAMMABILITY), AND PRODUCT VALIDATION.
 c. PACKAGING SPECIFICATION PER MOLEX DRAWING: PK-31301-898
 d. PARTS MUST BE IN COMPLIANCE TO MOLEX CHEMICAL SUBSTANCES FOR PRODUCTS AND PACKAGING SPECIFICATION: QEHS-699000-301
 e. DATA MUST BE SUBMITTED UNDER THE MOLEX PART NUMBER TO IMDS (COMPANY ID#13255)

2. DESIGN - MATERIALS:
 a. SEE BOM TABLE

3. DESIGN - GEOMETRY:
 a. THIS IS A 100% CAD GENERATED PART. THE CAD MATHEMATICAL DATA IS THE MASTER FOR THIS PART. FOR DIMENSIONAL OR ANY INFORMATION NOT SHOWN ON THIS DRAWING, ANALYZE THE CAD MODEL.
 b. GEOMETRIC DIMENSIONS AND TOLERANCES PER ASME Y14.5M - 1994
 c. EDGES AND UNDIMENSIONED DETAILS PER ISO13715
 d. CORNERS SHOWN AS SHARP TO BE R 0.2 MAX.
 e. LETTERING SHALL BE 0.15 MAX RAISED IN 0.25 MAX RECESS PAD. THIS INCLUDES RECYCLING CODE, CAVITY ID, VENDOR IDENTIFICATION, AND CUSTOMER MATERIAL NUMBER.
 f. VISUAL DEFECTS SHALL MEET COSMETIC STANDARD PS-45499-002 (Class B)

g. LASER MARKING:
 1. PART NUMBER
 2. DAY OF THE YEAR
 3. SHIFT
 4. YEAR

B15	UPDATED BALLOONS 2-1 & 2-2 ON SHEET 7
B14	UPDATED PARTS TO SALEABLE
B13	RELEASED PRIMARY KEYS NON-SIR SALEABLE
B12	UPDATED PLR LOCK UP GEOMETRY
B11	UPDATED WDC INTERFACE PART# TO TOOLED BUT NOT VALIDATED
B10	UPDATED TOLERANCES WDC FEATURES
B9	1X4, 1X6 PART # WIRE DRESS COVER INTERFACE FEATURES OK TO TOOL
B8	1X4 40G CLIP-SLOT OK TO TOOL
B7	1X4 PART # UPDATED TO 'TOOLED BUT NOT VALIDATED'
B6	ADDED 40G CLIP-SLOT PART NUMBERS
B5	BOM CORRECTIONS AND UPDATES
B4	BOM CORRECTIONS AND UPDATES
B3	1x4, 1x6 NON-SIR PART# OK TO TOOL
B2	1x6 11mm CLIP SLOT PART # OK TO TOOL
B1	1x6 11mm CLIP SLOT PART NUMBERS ADDED
B	ADDED 1x4 INFORMATION
A	OK TO TOOL
REV	DESCRIPTION

INSPECTION BALLOON NUMBER LOG

PER DRAWING REVISION: B12

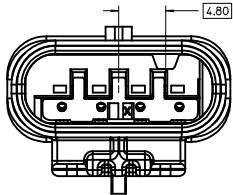
LAST BALLOON NUMBER USED: WDC2-10

ADDED BALLOON NUMBERS: WDC2-1 - WDC2-10

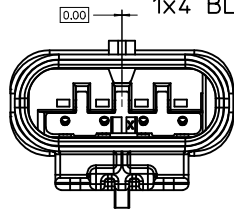
REMOVED BALLOON NUMBERS:

ENTER DESCRIPTION EC NO: UAU2016-1803 DRAWN: KOWALSKI CHKD: APPR: KOWALSKI DATE: 2016/06/01 2016/06/15 B15	QUALITY SYMBOLS	GENERAL TOLERANCES (UNLESS SPECIFIED):	DIMENSION STYLE	SCALE	DESIGN UNITS	THIRD ANGLE PROJECTION	
	▽=0	4 PLACES ±--- mm ±--- INCH	MM ONLY	4:1	METRIC	☉	
	▽=0	3 PLACES ±--- mm ±--- INCH	DRAWN BY: MYANSLAMBROU	DATE: 2012/07/13	TITLE	12MM 1X4, 1X6 BLADE SEALED ASSEMBLY CABLE SEAL	
	▽=0	2 PLACES ±0.10 mm ±--- INCH	CHECKED BY: VKOSHY	DATE: 2012/07/19	molex		
	1 PLACE ±0.20 mm ±--- INCH	APPROVED BY: VKOSHY	DATE: 2012/07/124	MATERIAL NO.	DOCUMENT NO.	SHEET NO.	
	0 PLACE ±0.50 mm ±--- INCH	ANGULAR ± 3 °	SEE BOM	SD-34899-6001	1 OF 11		
	DRAFT WHERE APPLICABLE MUST REMAIN WITHIN DIMENSIONS		SIZE D	THIS DRAWING CONTAINS INFORMATION THAT IS PROPRIETARY TO MOLEX INCORPORATED AND SHOULD NOT BE USED WITHOUT WRITTEN PERMISSION			

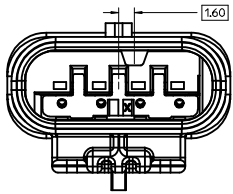
1x4 BLADE SEALED ASSEMBLY KEYING CONFIGURATIONS. FOR PART NUMBERS REFER TO BOM SHEET.



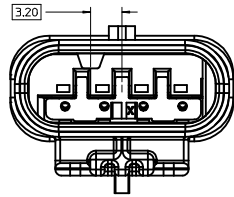
KEYING OPTION A



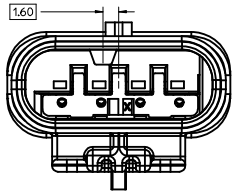
KEYING OPTION F



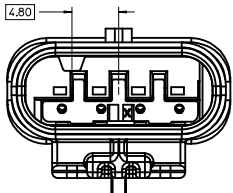
KEYING OPTION B



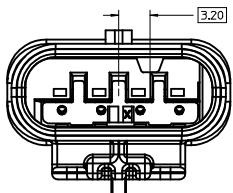
KEYING OPTION G



KEYING OPTION C



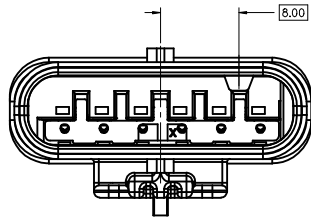
KEYING OPTION D



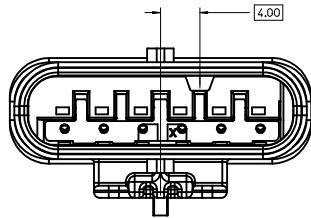
KEYING OPTION E

ENTER DESCRIPTION EC NO: UAU2016-1803 DRAWN: KOWALSKI 2016/06/01 CHKD: CHYD APPR: KOJEKSKI 2016/06/15 REVISIONS 1 2 3 4 5 6 7 8 9 10 11 12 13 14 15 16 17 18 19 20	QUALITY SYMBOLS ▽=0 ▽=0 ▽=0	GENERAL TOLERANCES (UNLESS SPECIFIED) mm INCH 4 PLACES ± --- ± --- 3 PLACES ± --- ± --- 2 PLACES ± 0.10 ± --- 1 PLACE ± 0.20 ± --- 0 PLACE ± 0.50 ± --- ANGULAR ± 3 ° DRAFT WHERE APPLICABLE MUST REMAIN WITHIN DIMENSIONS	DIMENSION STYLE MM ONLY DRAWN BY DATE MYANSLAMBROU 2012/07/13 CHECKED BY DATE VKOSHY 2012/07/19 APPROVED BY DATE VKOSHY 2012/07/24	SCALE 4:1 DESIGN UNITS METRIC THIRD ANGLE PROJECTION	TITLE 1.2MM 1X4, 1X6 BLADE SEALED ASSEMBLY CABLE SEAL molex MATERIAL NO. SEE BOM DOCUMENT NO. SD-34899-6001	SHEET NO. 2 OF 11
	THIS DRAWING CONTAINS INFORMATION THAT IS PROPRIETARY TO MOLEX INCORPORATED AND SHOULD NOT BE USED WITHOUT WRITTEN PERMISSION					
	SIZE D					
	INCORPORATED AND SHOULD NOT BE USED WITHOUT WRITTEN PERMISSION					

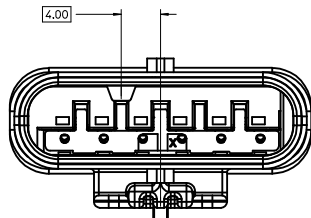
1x6 BLADE SEALED ASSEMBLY KEYING CONFIGURATIONS. FOR PART NUMBERS REFER TO BOM SHEET.



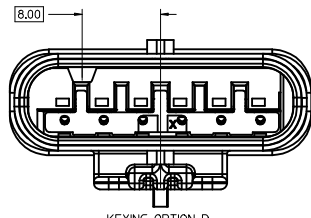
KEYING OPTION A



KEYING OPTION B



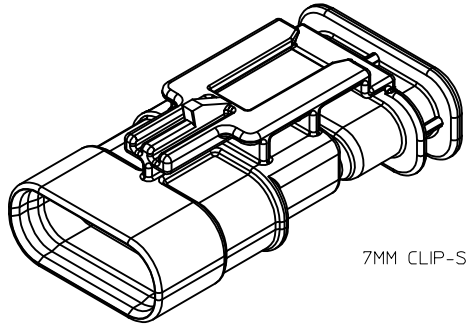
KEYING OPTION C



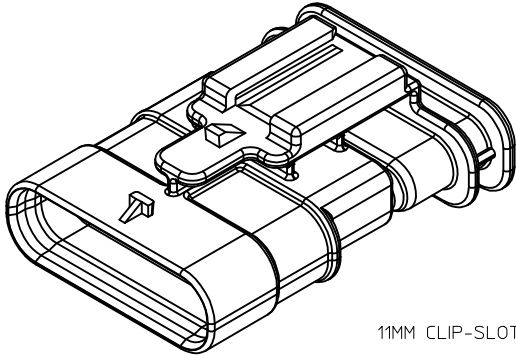
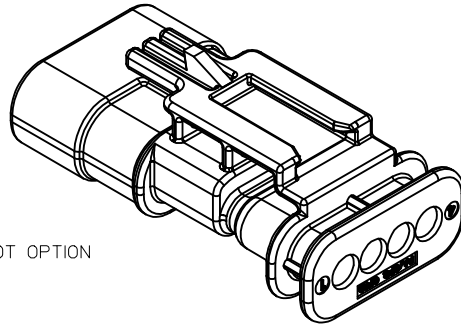
KEYING OPTION D

ENTER DESCRIPTION EC NO: UAU2016-1803 DRAWN: KOKOMALSKY 2016/06/07 CHKD: CHYD APPR: KIEKOSKI 2016/06/15 REV: DESCRIPTION	QUALITY SYMBOLS ▽=0 ▽=0 ▽=0		GENERAL TOLERANCES (UNLESS SPECIFIED) mm INCH 4 PLACES ± --- ± --- 3 PLACES ± --- ± --- 2 PLACES ± 0.10 ± --- 1 PLACE ± 0.20 ± --- 0 PLACE ± 0.50 ±		DIMENSION STYLE MM ONLY DRAWN BY DATE MYANSLAMBROU 2012/07/13 CHECKED BY DATE VKOSHY 2012/07/19 APPROVED BY DATE VKOSHY 2012/07/24		SCALE 4:1 DESIGN UNITS METRIC THIRD ANGLE PROJECTION		TITLE 12MM 1X4, 1X6 BLADE SEALED ASSEMBLY CABLE SEAL molex		MATERIAL NO. SEE BOM DOCUMENT NO. SD-34899-6001		SHEET NO. 3 OF 11	
	ANGULAR ± 3 ° DRAFT WHERE APPLICABLE MUST REMAIN WITHIN DIMENSIONS		SIZE D		THIS DRAWING CONTAINS INFORMATION THAT IS PROPRIETARY TO MOLEX INCORPORATED AND SHOULD NOT BE USED WITHOUT WRITTEN PERMISSION									

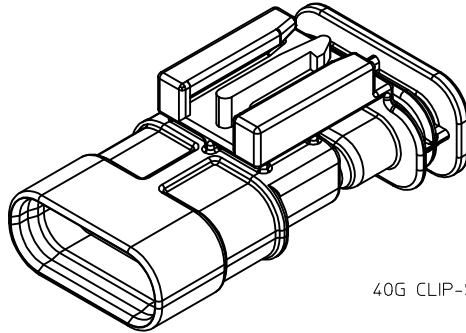
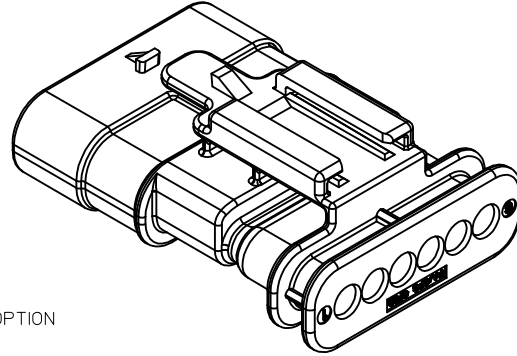
CLIP-SLOT CONFIGURATIONS. FOR PART NUMBERS REFER TO BOM SHEET.



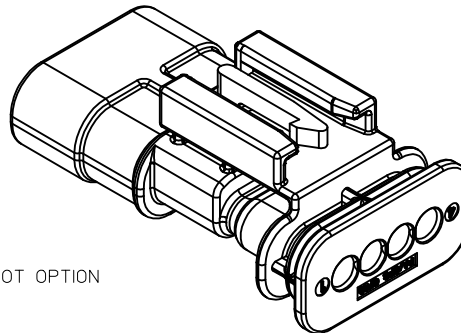
7MM CLIP-SLOT OPTION



11MM CLIP-SLOT OPTION

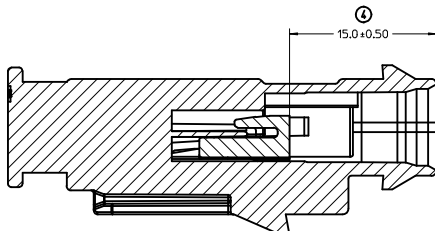
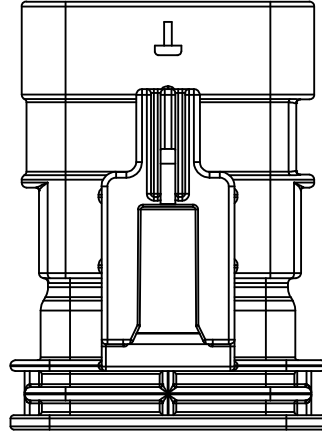
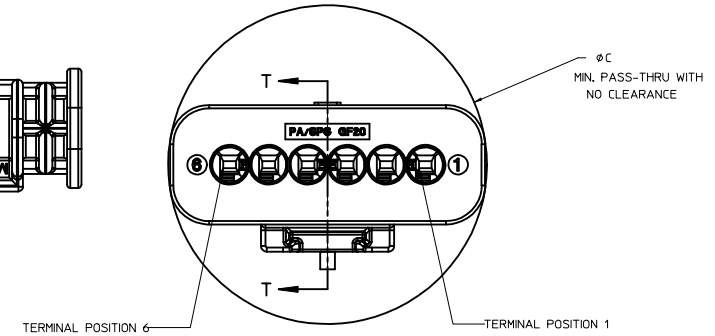
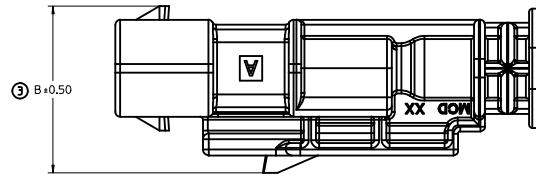
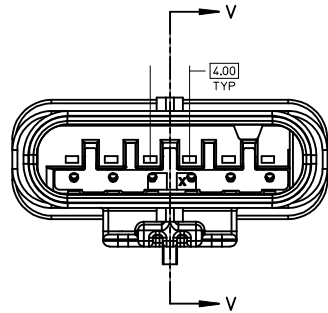
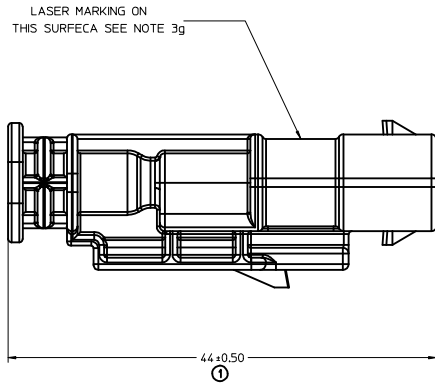


40G CLIP-SLOT OPTION

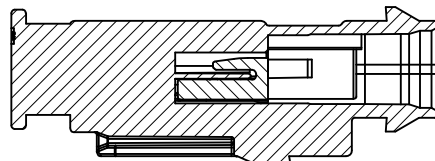


ENTER DESCRIPTION EC NO: UAU2016-1803 DRAWN BY: KOWALSKI CHKD: APPR: KOEKOGLI 2016/06/01 2016/06/15	QUALITY SYMBOLS	GENERAL TOLERANCES (UNLESS SPECIFIED)		DIMENSION STYLE	SCALE	DESIGN UNITS	THIRD ANGLE PROJECTION
	▽=0	mm	INCH	MM ONLY	4:1	METRIC	☉
	▽=0	4 PLACES ± ---	± ---	DRAWN BY: MYANSLAMBROU		DATE: 2012/07/13	TITLE: 12MM 1X4, 1X6 BLADE SEALED ASSEMBLY CABLE SEAL
	▽=0	3 PLACES ± 0.10	± ---	CHECKED BY: VKOSHY		DATE: 2012/07/19	molex MATERIAL NO. SEE BOM DOCUMENT NO. SD-34899-6001
▽=0	2 PLACES ± 0.20	± ---	APPROVED BY: VKOSHY		DATE: 2012/07/24	SHEET NO. 4 OF 11	
		1 PLACE ± 0.50	±	DRAFT WHERE APPLICABLE MUST REMAIN WITHIN DIMENSIONS			
		ANGULAR ± 3 °		THIS DRAWING CONTAINS INFORMATION THAT IS PROPRIETARY TO MOLEX INCORPORATED AND SHOULD NOT BE USED WITHOUT WRITTEN PERMISSION			

BLADE SEALED ASSEMBLY



SECTION V-V



SECTION T-T

PRIMARY LOCK REINFORCEMENT (PLR) SHOWN IN THE PRE-STAGED POSITION

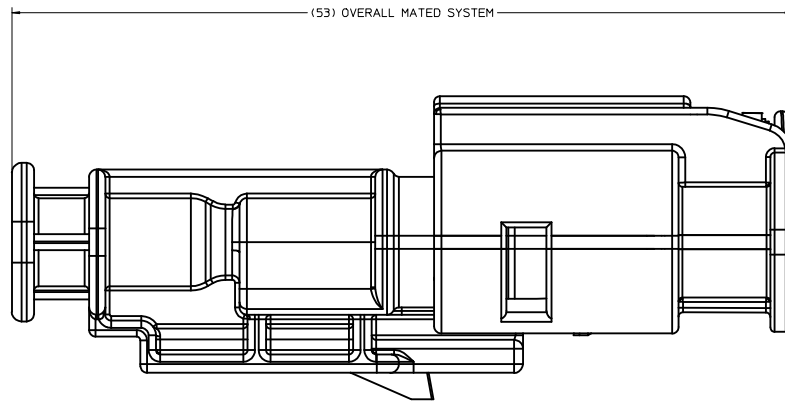
PRIMARY LOCK REINFORCEMENT (PLR) SHOWN IN THE FINAL-LOCK POSITION

1x6 BLADE SEALED ASSEMBLY, 40G CLIP SLOT	17.5	32.75
1x6 BLADE SEALED ASSEMBLY, 11mm CLIP SLOT	16	32.75
1x6 BLADE SEALED ASSEMBLY, 7mm CLIP SLOT	17.25	32.75
1x4 BLADE SEALED ASSEMBLY, 40G CLIP SLOT	17.5	25.25
1x4 BLADE SEALED ASSEMBLY, 11mm CLIP SLOT	16	24.75
1x4 BLADE SEALED ASSEMBLY, 7mm CLIP SLOT	17.25	24.75
CONFIGURATION	B	C

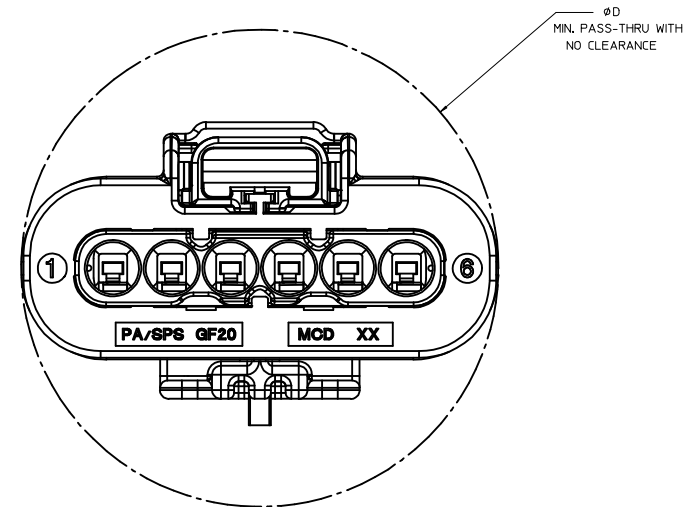
CHARTED DIMENSIONS

ENTER DESCRIPTION EC NO. UAU2016-1803 DRAWN: KOKALSKY 2016/06/01 CHKD: APPR: KOKOSKI 2016/06/15	QUALITY SYMBOLS	GENERAL TOLERANCES (UNLESS SPECIFIED)	DIMENSION STYLE	SCALE	DESIGN UNITS	THIRD ANGLE PROJECTION	
	∇=0 ∇=0 ∇=0	mm INCH 4 PLACES ± --- ± --- 3 PLACES ± --- ± --- 2 PLACES ± 0.10 ± --- 1 PLACE ± 0.20 ± --- 0 PLACE ± 0.50 ±	MM ONLY	4:1	METRIC	DRAWN BY DATE MYANSLAMBROU 2012/07/13 CHECKED BY DATE VKOSHY 2012/07/19 APPROVED BY DATE VKOSHY 2012/07/24	TITLE 12MM 1X4, 1X6 BLADE SEALED ASSEMBLY CABLE SEAL
	ANGULAR ± 3 ° DRAFT WHERE APPLICABLE MUST REMAIN WITHIN DIMENSIONS	MATERIAL NO.	SEE BOM	DOCUMENT NO.	SD-34899-6001	SHEET NO.	5 OF 11
	SIZE D THIS DRAWING CONTAINS INFORMATION THAT IS PROPRIETARY TO MOLEX INCORPORATED AND SHOULD NOT BE USED WITHOUT WRITTEN PERMISSION	molex					

CONNECTION SYSTEM PACKAGING



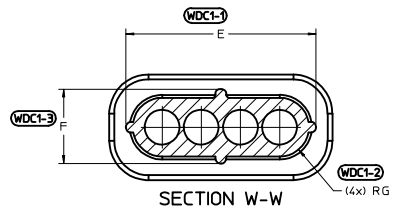
MODEL USED 'AM-120-S-006-1-Z01'



1x6 RECEPTACLE MATED TO 1x6 BLADE, 40 CLIP SLOT	TBD
1x6 RECEPTACLE MATED TO 1x6 BLADE, 11mm CLIP SLOT	33.5
1x6 RECEPTACLE MATED TO 1x6 BLADE, 7mm CLIP SLOT	33.5
1x4 RECEPTACLE MATED TO 1x4 BLADE, 40G CLIP SLOT	25.50
1x4 RECEPTACLE MATED TO 1x4 BLADE, 11mm CLIP SLOT	25.50
1x4 RECEPTACLE MATED TO 1x4 BLADE, 7mm CLIP SLOT	25.50
1.2mm CONNECTION SYSTEM CONFIGURATION	D

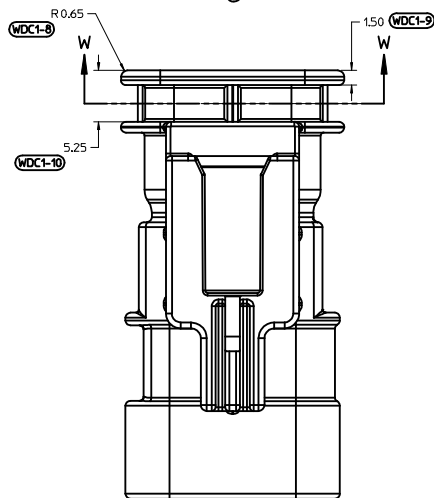
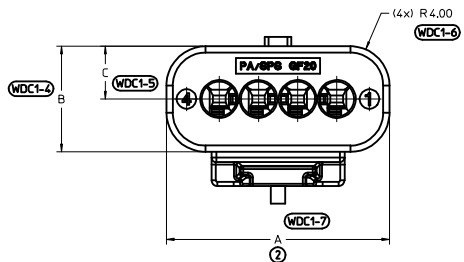
CHARTED DIMENSIONS

ENTER DESCRIPTION EC NO: UAU2016-1803 DRAWN: KOMALSKY 2016/06/01 CHKD: APPR: KOEKOGLI 2016/06/15 REV: DESCRIPTION	QUALITY SYMBOLS	GENERAL TOLERANCES (UNLESS SPECIFIED)	DIMENSION STYLE	SCALE	DESIGN UNITS	THIRD ANGLE PROJECTION
	▽=0	mm INCH	MM ONLY	6:1	METRIC	☉
	▽=0	4 PLACES ± --- ± ---	DRAWN BY DATE	TITLE		
	▽=0	3 PLACES ± --- ± ---	MYANSLAMBROU 2012/07/13	12MM 1X4, 1X6 BLADE SEALED ASSEMBLY CABLE SEAL		
	2 PLACES ± 0.10 ± ---	CHECKED BY DATE	MATERIAL NO.			SHEET NO.
	1 PLACE ± 0.20 ± ---	VKOSHY 2012/07/19	SEE BOM			6 OF 11
	0 PLACE ± 0.50 ±	APPROVED BY DATE	DOCUMENT NO.			
	ANGULAR ± 3 °	VKOSHY 2012/07/24	SD-34899-6001			
	DRAFT WHERE APPLICABLE MUST REMAIN WITHIN DIMENSIONS		THIS DRAWING CONTAINS INFORMATION THAT IS PROPRIETARY TO MOLEX INCORPORATED AND SHOULD NOT BE USED WITHOUT WRITTEN PERMISSION			

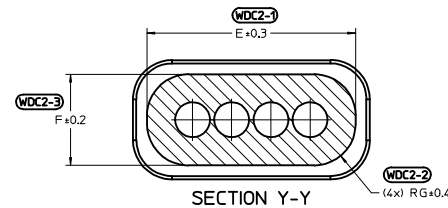


6 CIRCUIT	30.8	10.8	5.4	27.4	7.6	3.0
4 CIRCUIT	22.8	10.8	5.4	19.4	7.6	3.0
CONFIGURATION	A	B	C	E	F	G

CHARTED DIMENSIONS

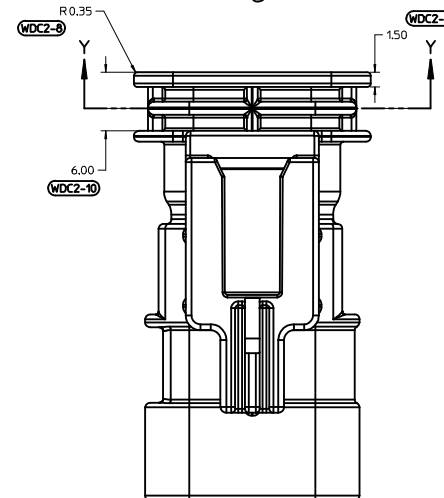
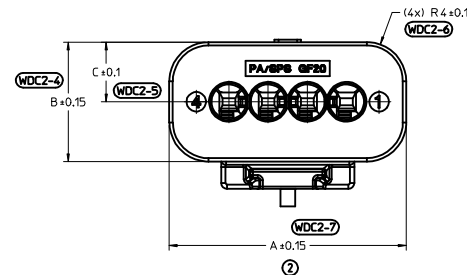


WIRE DRESS COVER
INTERFACE OPTION 1
WIRE DRESS COVERS
NOT AVAILABLE



6 CIRCUIT	32.2	12.2	6.1	29.3	9.3	4.2
4 CIRCUIT	24.2	12.2	6.1	21.3	9.3	4.2
CONFIGURATION	A	B	C	E	F	G

CHARTED DIMENSIONS



WIRE DRESS COVER
INTERFACE OPTION 2
BASED ON HIRSCHMANN INTERFACE
DRAWING 808-012-xxx REV B5

ENTER DESCRIPTION EC NO. UAU2016-1803 DRAWN BY KOMAL SKY 2016/06/01 CHKD: APPR: KOEKSKI 2016/06/15	QUALITY SYMBOLS ∇=0 ∇=0 ∇=0	GENERAL TOLERANCES (UNLESS SPECIFIED)		DIMENSION STYLE MM ONLY	SCALE 4:1	DESIGN UNITS METRIC	THIRD ANGLE PROJECTION		
		4 PLACES ± --- ± --- 3 PLACES ± --- ± --- 2 PLACES ± 0.10 ± --- 1 PLACE ± 0.20 ± --- 0 PLACE ± 0.50 ±	mm INCH	DRAWN BY DATE MYANSLAMBROU 2012/07/13	CHECKED BY DATE VKOSHY 2012/07/19	TITLE 12MM 1X4, 1X6 BLADE SEALED ASSEMBLY CABLE SEAL			
		ANGULAR ± 3 ° DRAFT WHERE APPLICABLE MUST REMAIN WITHIN DIMENSIONS		APPROVED BY DATE VKOSHY 2012/07/24	MATERIAL NO. SEE TABLE		DOCUMENT NO. SD-34899-6001		SHEET NO. 7 OF 11
		SIZE D THIS DRAWING CONTAINS INFORMATION THAT IS PROPRIETARY TO MOLEX INCORPORATED AND SHOULD NOT BE USED WITHOUT WRITTEN PERMISSION							

1x4 BLADE SEALED ASSEMBLY BOM
FOR WIRE DRESS COVER INTERFACE 2
REFER WIRE DRESS INTERFACE SHEET
FOR DETAILS

KEYING OPTION A, 40G CLIP SLOT, BLACK	34899-4060																	A	TOOLED BUT NOT VALIDATED	
KEYING OPTION A, 40G CLIP SLOT, YELLOW	34899-4050																	A	TOOLED BUT NOT VALIDATED	
KEYING OPTION G, 7mm CLIP SLOT, LIGHT GRAY	34899-4086																	G	SALEABLE	
KEYING OPTION F, 7mm CLIP SLOT, BLACK	34899-4085																	F	SALEABLE	
KEYING OPTION E, 7mm CLIP SLOT, DARK GRAY	34899-4084																	E	SALEABLE	
KEYING OPTION D, 7mm CLIP SLOT, LIGHT GRAY	34899-4083																	D	SALEABLE	
KEYING OPTION C, 7mm CLIP SLOT, DARK GRAY	34899-4082																	C	SALEABLE	
KEYING OPTION B, 7mm CLIP SLOT, STONE GRAY	34899-4081																	B	SALEABLE	
KEYING OPTION A, 7mm CLIP SLOT, BLACK	34899-4080																	A	SALEABLE	
KEYING OPTION G, 7mm CLIP SLOT, YELLOW	34899-4076																	G	SALEABLE	
KEYING OPTION F, 7mm CLIP SLOT, YELLOW	34899-4075																	F	SALEABLE	
KEYING OPTION E, 7mm CLIP SLOT, YELLOW	34899-4074																	E	SALEABLE	
KEYING OPTION D, 7mm CLIP SLOT, YELLOW	34899-4073																	D	SALEABLE	
KEYING OPTION C, 7mm CLIP SLOT, YELLOW	34899-4072																	C	SALEABLE	
KEYING OPTION B, 7mm CLIP SLOT, YELLOW	34899-4071																	B	SALEABLE	
KEYING OPTION A, 7mm CLIP SLOT, YELLOW	34899-4070																	A	SALEABLE	
ASSEMBLY DESCRIPTION	ASSEMBLY PART NUMBER																		PRODUCTION TOOL STATUS	COMMENTS

PLR	NATURAL	SPS/NYLON GF20
1x4 CONNECTOR HOUSING, KEYING OPTION A 40G CLIP SLOT	BLACK	SPS/NYLON GF20
1x4 CONNECTOR HOUSING, KEYING OPTION A 40G CLIP SLOT	YELLOW	SPS/NYLON GF20
1x4 CONNECTOR HOUSING, KEYING OPTION G 7mm CLIP SLOT	LIGHT GRAY	SPS/NYLON GF20
1x4 CONNECTOR HOUSING, KEYING OPTION F 7mm CLIP SLOT	BLACK	SPS/NYLON GF20
1x4 CONNECTOR HOUSING, KEYING OPTION E 7mm CLIP SLOT	DARK GRAY	SPS/NYLON GF20
1x4 CONNECTOR HOUSING, KEYING OPTION D 7mm CLIP SLOT	LIGHT GRAY	SPS/NYLON GF20
1x4 CONNECTOR HOUSING, KEYING OPTION C 7mm CLIP SLOT	DARK GRAY	SPS/NYLON GF20
1x4 CONNECTOR HOUSING, KEYING OPTION B 7mm CLIP SLOT	STONE GRAY	SPS/NYLON GF20
1x4 CONNECTOR HOUSING, KEYING OPTION A 7mm CLIP SLOT	BLACK	SPS/NYLON GF20
1x4 CONNECTOR HOUSING, KEYING OPTION G 7mm CLIP SLOT	YELLOW	SPS/NYLON GF20
1x4 CONNECTOR HOUSING, KEYING OPTION F 7mm CLIP SLOT	YELLOW	SPS/NYLON GF20
1x4 CONNECTOR HOUSING, KEYING OPTION E 7mm CLIP SLOT	YELLOW	SPS/NYLON GF20
1x4 CONNECTOR HOUSING, KEYING OPTION D 7mm CLIP SLOT	YELLOW	SPS/NYLON GF20
1x4 CONNECTOR HOUSING, KEYING OPTION C 7mm CLIP SLOT	YELLOW	SPS/NYLON GF20
1x4 CONNECTOR HOUSING, KEYING OPTION B 7mm CLIP SLOT	YELLOW	SPS/NYLON GF20
1x4 CONNECTOR HOUSING, KEYING OPTION A 7mm CLIP SLOT	YELLOW	SPS/NYLON GF20
DESCRIPTION	COLOR	MATERIAL

BOM/APPLICABLE COMPONENTS TABLE

LEGEND TABLE	
ABBREVIATION	COMPONENT
A	CONNECTOR HOUSING KEYING OPTION A
B	CONNECTOR HOUSING KEYING OPTION B
C	CONNECTOR HOUSING KEYING OPTION C
D	CONNECTOR HOUSING KEYING OPTION D
E	CONNECTOR HOUSING KEYING OPTION E
F	CONNECTOR HOUSING KEYING OPTION F
G	CONNECTOR HOUSING KEYING OPTION G
PLR	PLR

ENTER DESCRIPTION EC NO. UAU2016-1803 DRAWN BY: DRAVNIKOMALSKY CHKD. CHYD. APPR: KOLEKSKL 2016/06/15 REV. DESCRIPTION	QUALITY SYMBOLS ▽=0 ▽=0 ▽=0	GENERAL TOLERANCES (UNLESS SPECIFIED) mm INCH 4 PLACES ± --- ± --- 3 PLACES ± 0.10 ± --- 2 PLACES ± 0.20 ± --- 1 PLACE ± 0.50 ± --- 0 PLACE ± 0.50 ± ---	DIMENSION STYLE MM ONLY	SCALE	DESIGN UNITS METRIC	THIRD ANGLE PROJECTION	TITLE 12MM 1X4, 1X6 BLADE SEALED ASSEMBLY CABLE SEAL molex
	DRAFT WHERE APPLICABLE MUST REMAIN WITHIN DIMENSIONS		APPROVED BY: DATE VKOSHY 2012/07/13	CHECKED BY: DATE VKOSHY 2012/07/19	MATERIAL NO. SEE BOM		DOCUMENT NO. SD-34899-6001
			ANGULAR ± 3 °				
			SIZE D	THIS DRAWING CONTAINS INFORMATION THAT IS PROPRIETARY TO MOLEX INCORPORATED AND SHOULD NOT BE USED WITHOUT WRITTEN PERMISSION		SHEET NO. 9 OF 11	

1x6 BLADE SEALED ASSEMBLY BOM FOR WIRE DRESS COVER INTERFACE 1 REFER WIRE DRESS INTERFACE SHEET FOR DETAILS

ASSEMBLY DESCRIPTION	ASSEMBLY PART NUMBER	CONCEPT	CONCEPT	PRODUCTION TOOL STATUS	COMMENTS
KEYING OPTION A, 40G CLIP SLOT, BLACK	34899-6070		A		
KEYING OPTION A, 40G CLIP SLOT, YELLOW	34899-6050		A		
KEYING OPTION D, 11mm CLIP SLOT, STONE GRAY	34899-6063		D		
KEYING OPTION C, 11mm CLIP SLOT, DARK GRAY	34899-6062		C		
KEYING OPTION B, 11mm CLIP SLOT, LIGHT GRAY	34899-6061		B		
KEYING OPTION A, 11mm CLIP SLOT, BLACK	34899-6060		A		
KEYING OPTION D, 11mm CLIP SLOT, YELLOW	34899-6043		D		
KEYING OPTION C, 11mm CLIP SLOT, YELLOW	34899-6042		C		
KEYING OPTION B, 11mm CLIP SLOT, YELLOW	34899-6041		B		
KEYING OPTION A, 11mm CLIP SLOT, YELLOW	34899-6040		A		
KEYING OPTION D, 7mm CLIP SLOT, STONE GRAY	34899-6023		D		
KEYING OPTION C, 7mm CLIP SLOT, DARK GRAY	34899-6022		C		
KEYING OPTION B, 7mm CLIP SLOT, LIGHT GRAY	34899-6021		B		
KEYING OPTION A, 7mm CLIP SLOT, BLACK	34899-6020		A		
KEYING OPTION D, 7mm CLIP SLOT, YELLOW	34899-6013		D		
KEYING OPTION C, 7mm CLIP SLOT, YELLOW	34899-6012		C		
KEYING OPTION B, 7mm CLIP SLOT, YELLOW	34899-6011		B		
KEYING OPTION A, 7mm CLIP SLOT, YELLOW	34899-6010	A			

DESCRIPTION	COLOR	MATERIAL
PLR		
1x6 CONNECTOR HOUSING, KEYING OPTION A 40G CLIP SLOT	BLACK	SPS/NYLON GF20
1x6 CONNECTOR HOUSING, KEYING OPTION A 40G CLIP SLOT	YELLOW	SPS/NYLON GF20
1x6 CONNECTOR HOUSING, KEYING OPTION D 11mm CLIP SLOT	STONE GRAY	SPS/NYLON GF20
1x6 CONNECTOR HOUSING, KEYING OPTION C 11mm CLIP SLOT	DARK GRAY	SPS/NYLON GF20
1x6 CONNECTOR HOUSING, KEYING OPTION B 11mm CLIP SLOT	LIGHT GRAY	SPS/NYLON GF20
1x6 CONNECTOR HOUSING, KEYING OPTION A 11mm CLIP SLOT	BLACK	SPS/NYLON GF20
1x6 CONNECTOR HOUSING, KEYING OPTION D 11mm CLIP SLOT	YELLOW	SPS/NYLON GF20
1x6 CONNECTOR HOUSING, KEYING OPTION C 11mm CLIP SLOT	YELLOW	SPS/NYLON GF20
1x6 CONNECTOR HOUSING, KEYING OPTION B 11mm CLIP SLOT	YELLOW	SPS/NYLON GF20
1x6 CONNECTOR HOUSING, KEYING OPTION A 11mm CLIP SLOT	YELLOW	SPS/NYLON GF20
1x6 CONNECTOR HOUSING, KEYING OPTION D 7mm CLIP SLOT	STONE GRAY	SPS/NYLON GF20
1x6 CONNECTOR HOUSING, KEYING OPTION C 7mm CLIP SLOT	DARK GRAY	SPS/NYLON GF20
1x6 CONNECTOR HOUSING, KEYING OPTION B 7mm CLIP SLOT	LIGHT GRAY	SPS/NYLON GF20
1x6 CONNECTOR HOUSING, KEYING OPTION A 7mm CLIP SLOT	BLACK	SPS/NYLON GF20
1x6 CONNECTOR HOUSING, KEYING OPTION D 7mm CLIP SLOT	YELLOW	SPS/NYLON GF20
1x6 CONNECTOR HOUSING, KEYING OPTION C 7mm CLIP SLOT	YELLOW	SPS/NYLON GF20
1x6 CONNECTOR HOUSING, KEYING OPTION B 7mm CLIP SLOT	YELLOW	SPS/NYLON GF20
1x6 CONNECTOR HOUSING, KEYING OPTION A 7mm CLIP SLOT	YELLOW	SPS/NYLON GF20

ABBREVIATION	COMPONENT
A	CONNECTOR HOUSING KEYING OPTION A
B	CONNECTOR HOUSING KEYING OPTION B
C	CONNECTOR HOUSING KEYING OPTION C
D	CONNECTOR HOUSING KEYING OPTION D
PLR	PLR

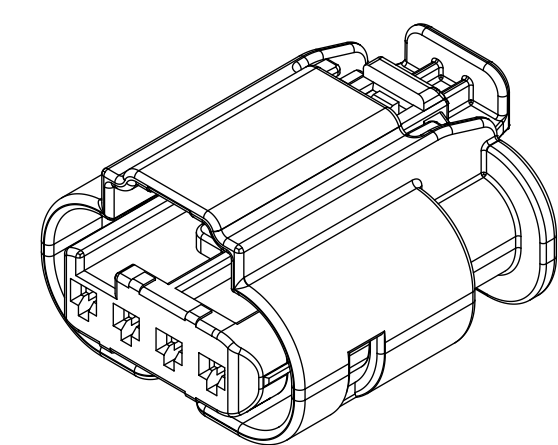
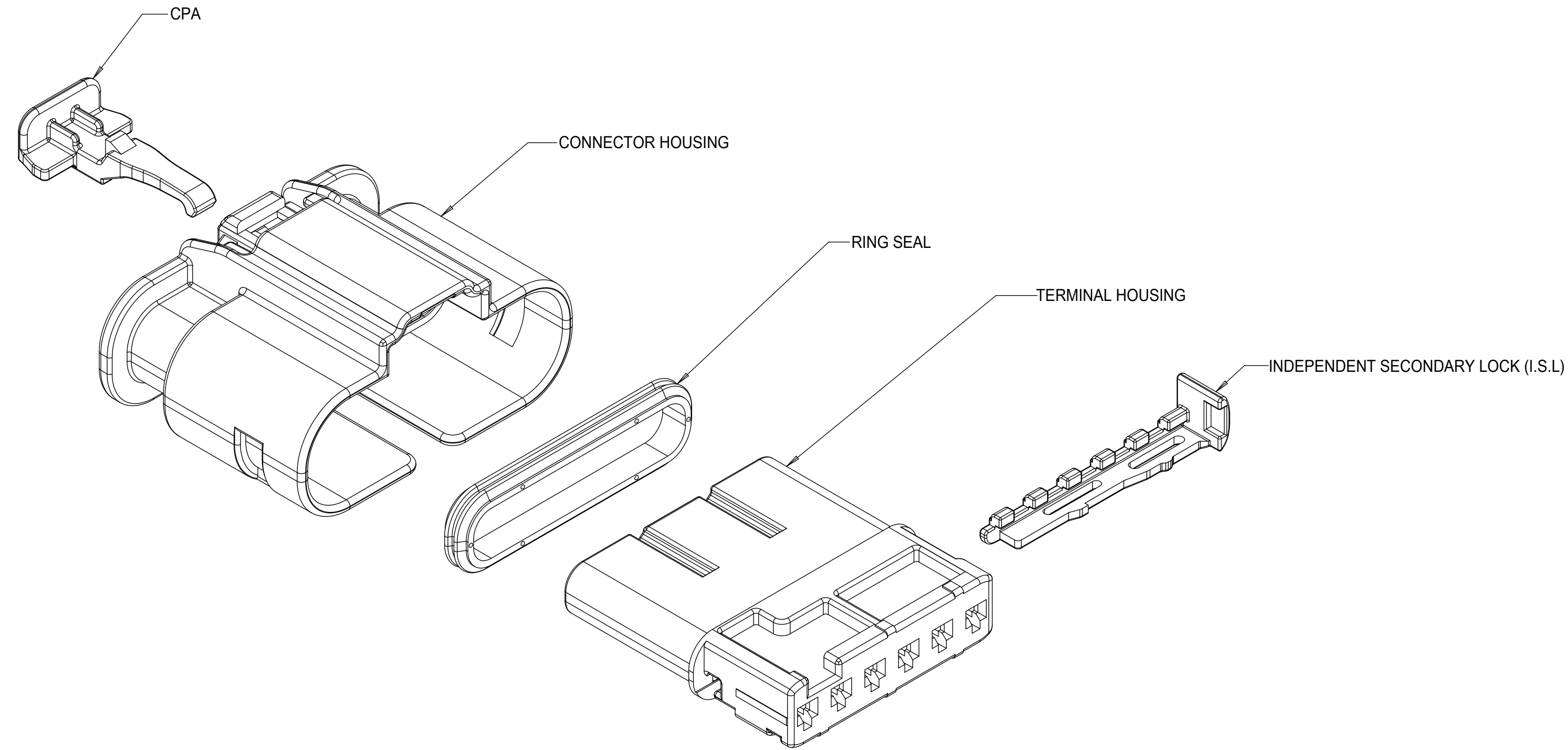
ENTER DESCRIPTION ECC NO. UAJ2016-1803 DRAWN BY: DR. HANIKOMALSKY CHKD: APPR: KOLEKSKI REV DATE: 2016/06/07 2016/06/15	QUALITY SYMBOLS ▽=0 ▽=0 ▽=0	GENERAL TOLERANCES (UNLESS SPECIFIED)	DIMENSION STYLE MM ONLY	SCALE 2:1	DESIGN UNITS METRIC	THIRD ANGLE PROJECTION	
		4 PLACES ± --- INCH ± ---	DATE DRAWN BY: MYANSLAMBROU 2012/07/13	TITLE 12MM 1X4, 1X6 BLADE SEALED ASSEMBLY CABLE SEAL			
		3 PLACES ± --- ± ---	DATE CHECKED BY: VKOSHY 2012/07/19	molex			
		2 PLACES ± 0.10 ± ---	DATE APPROVED BY: VKOSHY 2012/07/24	MATERIAL NO. SEE BOM	DOCUMENT NO. SD-34899-6001	SHEET NO. 10 OF 11	
ANGULAR ± 3 °		THIS DRAWING CONTAINS INFORMATION THAT IS PROPRIETARY TO MOLEX INCORPORATED AND SHOULD NOT BE USED WITHOUT WRITTEN PERMISSION					

TABLE OF CONTENTS

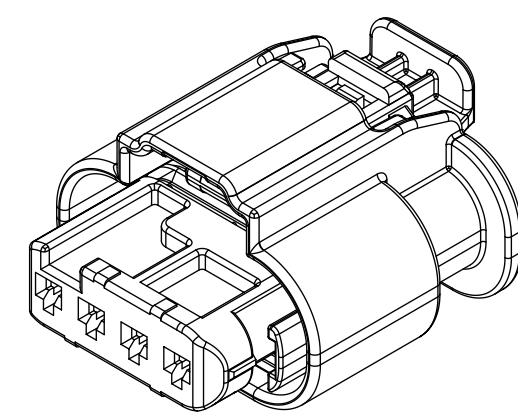
SHEET NO.	SHEET DESCRIPTION
1	NOTES
2	1x4 RECEPTACLE SEALED ASSEMBLY KEYING CONFIGURATIONS
3	1x6 RECEPTACLE SEALED ASSEMBLY KEYING CONFIGURATIONS
4	RECEPTACLE SEALED ASSEMBLY
5	1x4 RECEPTACLE SEALED ASSEMBLY BOM SHEET
6	1x6 RECEPTACLE SEALED ASSEMBLY BOM SHEET

NOTES: VALID UNLESS OTHERWISE SPECIFIED

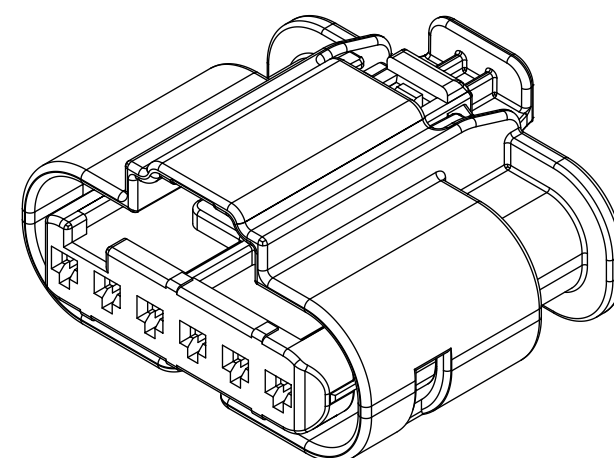
1. GENERAL:
 - a. APPLICATION SPECIFICATION SEE: AS-34900-0001
CONTAINS: PRODUCT INTRODUCTION, PRODUCT SUMMARY, CONNECTOR ASSEMBLY, PACKAGING INFORMATION, CONNECTOR MATING, SERVICE INSTRUCTIONS, ELECTRICAL CONTINUITY CHECKING, CRIMPING, AND TROUBLESHOOTING.
 - b. PRODUCT SPECIFICATION SEE: PS-34900-0001
CONTAINS: PRODUCT INTRODUCTION, PRODUCT SUMMARY, APPROVED TERMINALS, SINGLE WIRE SEALS, RATINGS (CURRENT, TEMPERATURE, SEALING, AND FLAMMABILITY), AND PRODUCT VALIDATION.
 - c. PACKAGING SPECIFICATION PER MOLEX DRAWING: PK-31301-898
 - d. PARTS MUST BE IN COMPLIANCE TO MOLEX CHEMICAL SUBSTANCES FOR PRODUCTS AND PACKAGING SPECIFICATION: ES-40000-5016
 - e. DATA MUST BE SUBMITTED UNDER THE MOLEX PART NUMBER TO IMDS (COMPANY ID#13255)
 - f. DESIGNED TO MATE WITH DEVICE CONNECTION AS SPECIFIED IN BOM CHART USCAR INTERFACE DRAWINGS AND MODELS ARE AVAILABLE AT <http://ewcap.uscarteams.org/>.
2. DESIGN - MATERIALS:
 - a. SEE BOM TABLE
3. DESIGN - GEOMETRY:
 - a. THIS IS A 100% CAD GENERATED PART. THE CAD MATHEMATICAL DATA IS THE MASTER FOR THIS PART. FOR DIMENSIONAL OR ANY INFORMATION NOT SHOWN ON THIS DRAWING, ANALYZE THE CAD MODEL.
 - b. GEOMETRIC DIMENSIONS AND TOLERANCES PER ASME Y14.5M - 1994
 - c. EDGES AND UNDIMENSIONED DETAILS PER ISO13715
 - d. CORNERS SHOWN AS SHARP TO BE R 0.2 MAX.
 - e. LETTERING SHALL BE 0.15 MAX RAISED IN 0.25 MAX RECESS PAD. THIS INCLUDES RECYCLING CODE, CAVITY ID, VENDOR IDENTIFICATION, AND CUSTOMER MATERIAL NUMBER.
 - f. VISUAL DEFECTS SHALL MEET COSMETIC STANDARD PS-45499-002 (Class B) CAD MODEL.
 - g. LASER MARKING:
 1. PART NUMBER
 2. DAY OF THE YEAR
 3. SHIFT
 4. YEAR



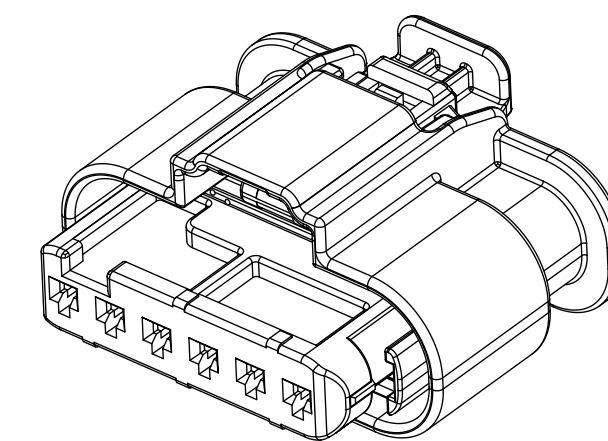
1x4 RECEPTACLE SEALED ASSEMBLY
LONG SHROUD



1x4 RECEPTACLE SEALED ASSEMBLY
MID LENGTH SHROUD



1x6 RECEPTACLE SEALED ASSEMBLY
LONG SHROUD

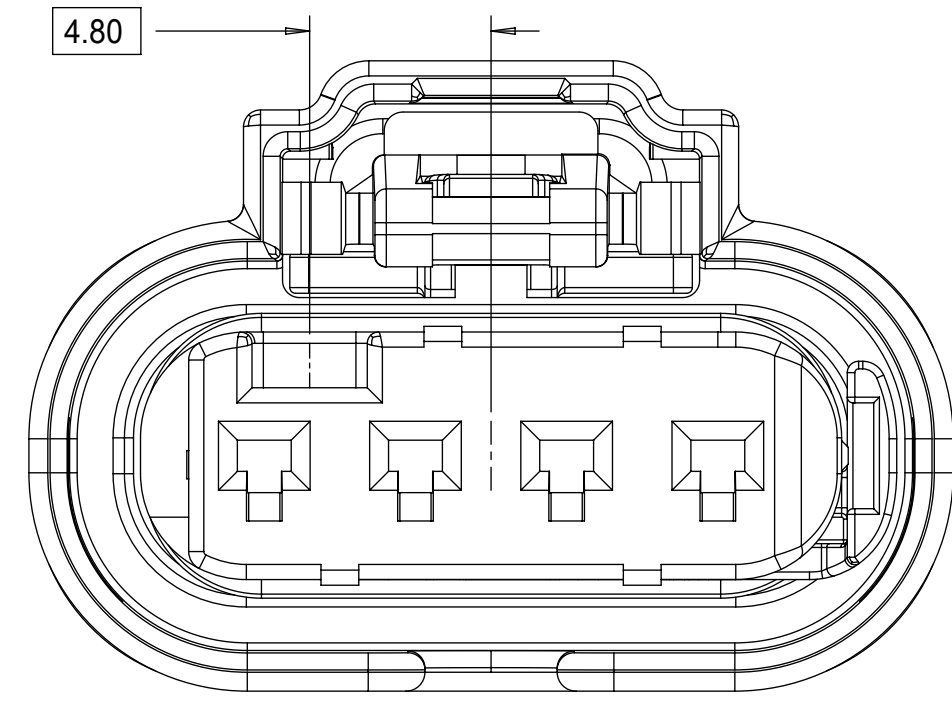


1x6 RECEPTACLE SEALED ASSEMBLY
MID LENGTH SHROUD

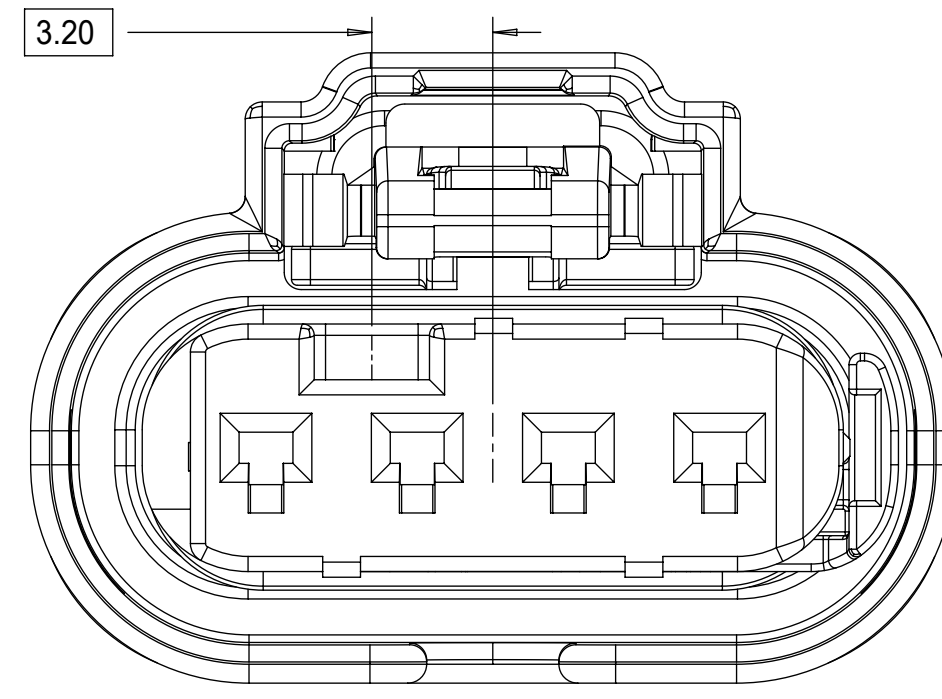
REV	DESCRIPTION
A15-A16	CHANGED CPA2 TO CPA3
A14	UPDATED STATUS, ADDED WIRE DRESS COVERS
A13	NX-REMASTER, ADDED CPA2 PART NUMBERS AND OBSOLETE PAGE
A12	RELEASE ALL KEYS SALEABLE
A11	RELEASE NON SIR SALEABLE
A10	PART #'S WITH NEW LATCH DESIGN SALEABLE
A9	PART #'S WITH NEW LATCH DESIGN SALEABLE
A8	ADDED NEW PART NUMBERS FOR LATCH IMPROVEMENT PARTS
A7	UPDATED 34900-6012 AND 34900-6012 TO SALEABLE
A6	UPDATED SHROUD LENGTH DIMENSION SCHEME
A5	BOM CORRECTIONS AND UPDATES
A4	BOM CORRECTIONS AND UPDATES
A3	NON SIR PART# OK TO TOOL
A2	BOM UPDATES FOR NON-SIR PART #
A1	1X6 MID LENGTH SHROUD OK TO TOOL
A	1X4 INLINE VIEWS ADDED
1	INITIAL RELEASE

QUALITY SYMBOLS		THIS DRAWING CONTAINS INFORMATION THAT IS PROPRIETARY TO MOLEX ELECTRONIC TECHNOLOGIES, LLC AND SHOULD NOT BE USED WITHOUT WRITTEN PERMISSION	
▽ = 0	2019/12/03	GENERAL TOLERANCES (UNLESS SPECIFIED)	DIMENSION UNITS
▽ = 0	2019/12/03	ANGULAR TOL ± 3.0 °	mm
▽ = 0	2019/12/03	4 PLACES ±	SCALE
▽ = 0	2019/12/03	3 PLACES ±	3:1
▽ = 0	2019/12/03	2 PLACES ± 0.1	DRWN BY
▽ = 0	2019/12/03	1 PLACE ± 0.2	MVANSLAMBROU
▽ = 0	2019/12/03	0 PLACES ± 0.5	DATE
▽ = 0	2019/12/03	DRAFT WHERE APPLICABLE MUST REMAIN WITHIN DIMENSIONS	2012/05/03
▽ = 0	2019/12/03		CHKD BY
▽ = 0	2019/12/03		DATE
▽ = 0	2019/12/03		APPR BY
▽ = 0	2019/12/03		GGA
▽ = 0	2019/12/03		DATE
▽ = 0	2019/12/03		2012/12/13
▽ = 0	2019/12/03		DRAWING SIZE
▽ = 0	2019/12/03		THIRD ANGLE PROJECTION
▽ = 0	2019/12/03		D
▽ = 0	2019/12/03		SERIES
▽ = 0	2019/12/03		34900
▽ = 0	2019/12/03		MATERIAL NUMBER
▽ = 0	2019/12/03		SEE TABLE
▽ = 0	2019/12/03		CUSTOMER
▽ = 0	2019/12/03		GENERAL MARKET
▽ = 0	2019/12/03		DOCUMENT NUMBER
▽ = 0	2019/12/03		SD-34900-6001
▽ = 0	2019/12/03		DOC TYPE
▽ = 0	2019/12/03		PSD
▽ = 0	2019/12/03		DOC PART
▽ = 0	2019/12/03		001
▽ = 0	2019/12/03		SHEET NUMBER
▽ = 0	2019/12/03		1 OF 7

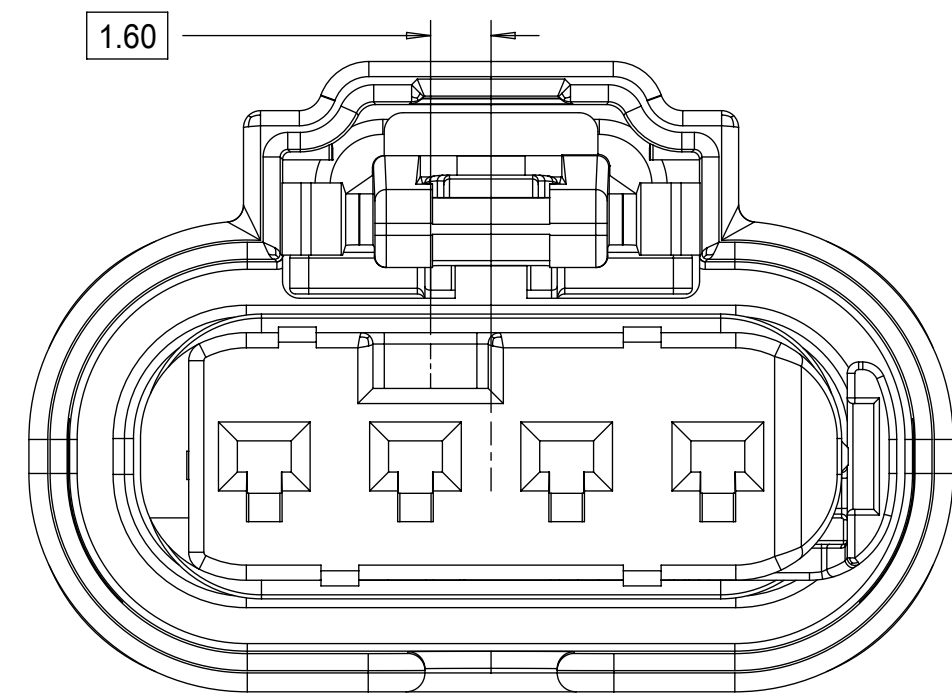
1x4 RECEPTACLE SEALED ASSEMBLY KEYING CONFIGURATIONS. FOR PART NUMBERS REFER TO BOM SHEET.



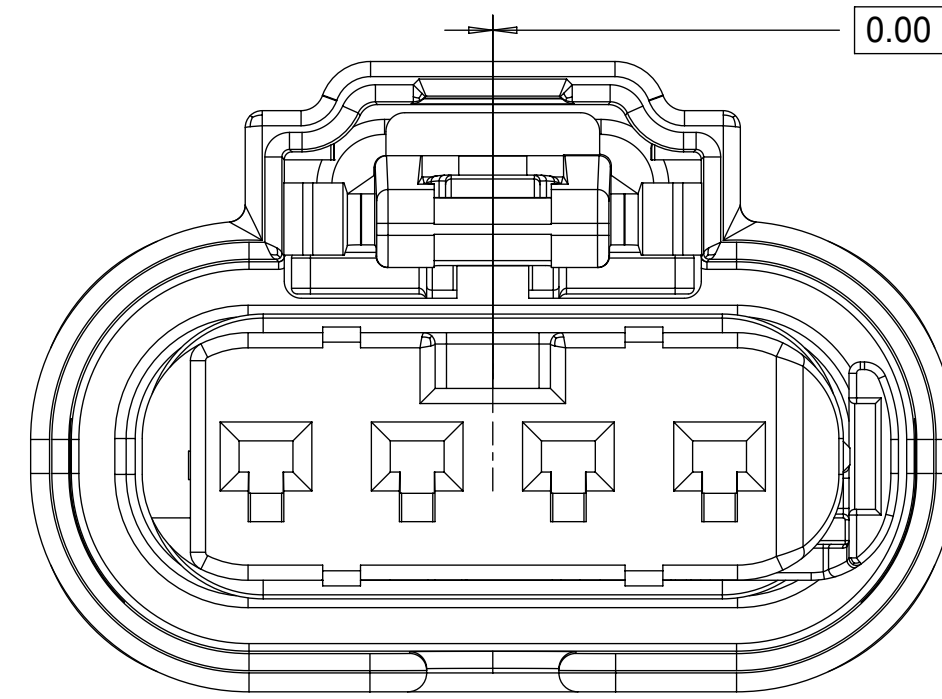
KEYING OPTION A



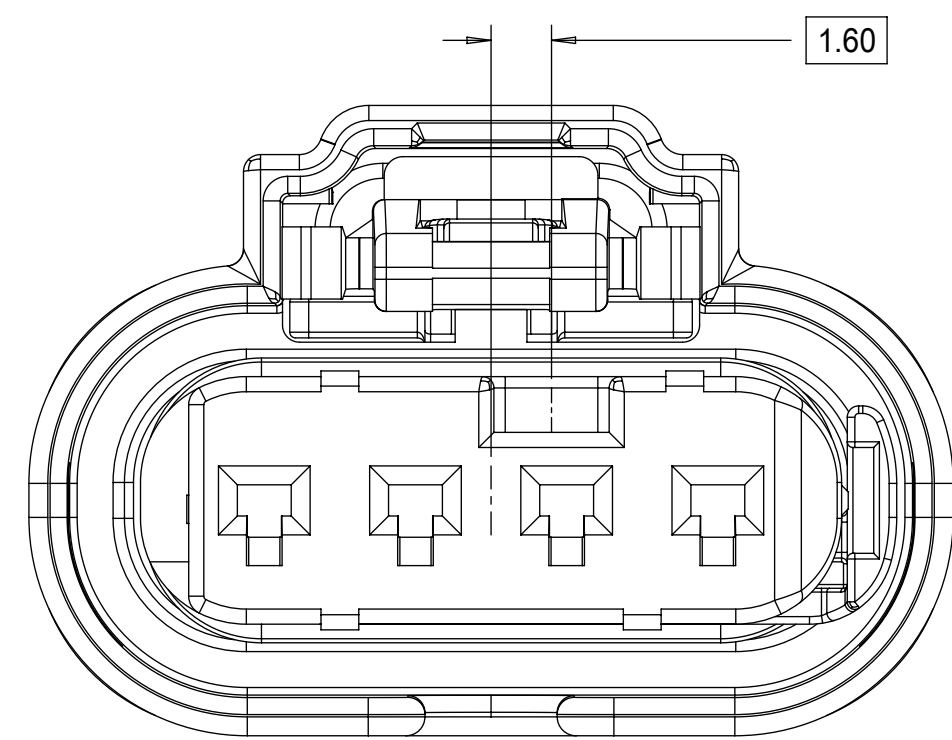
KEYING OPTION E



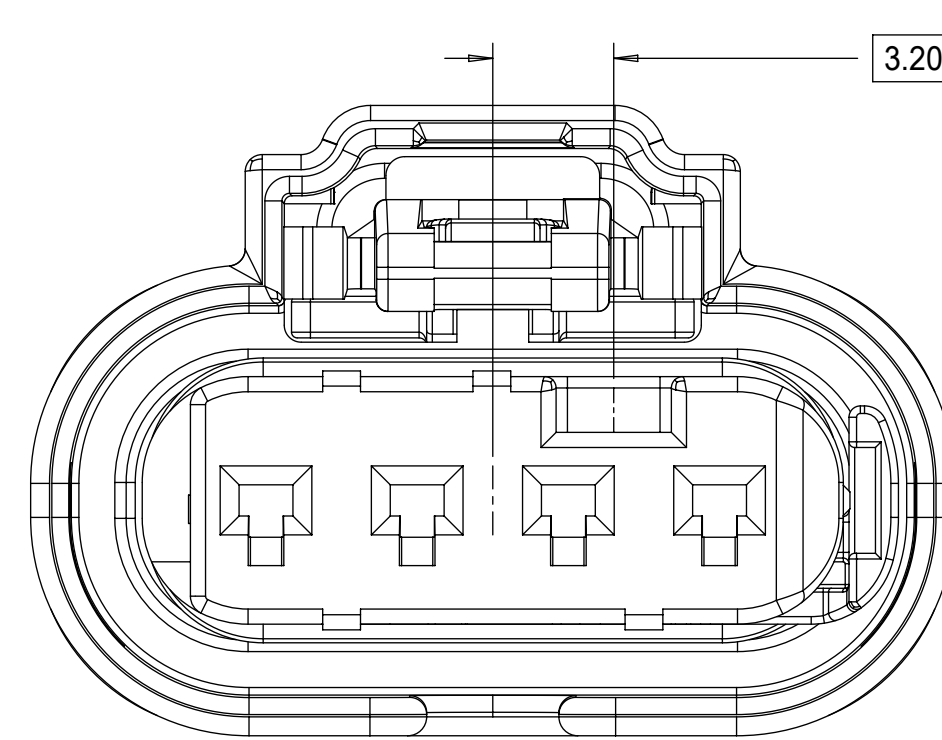
KEYING OPTION B



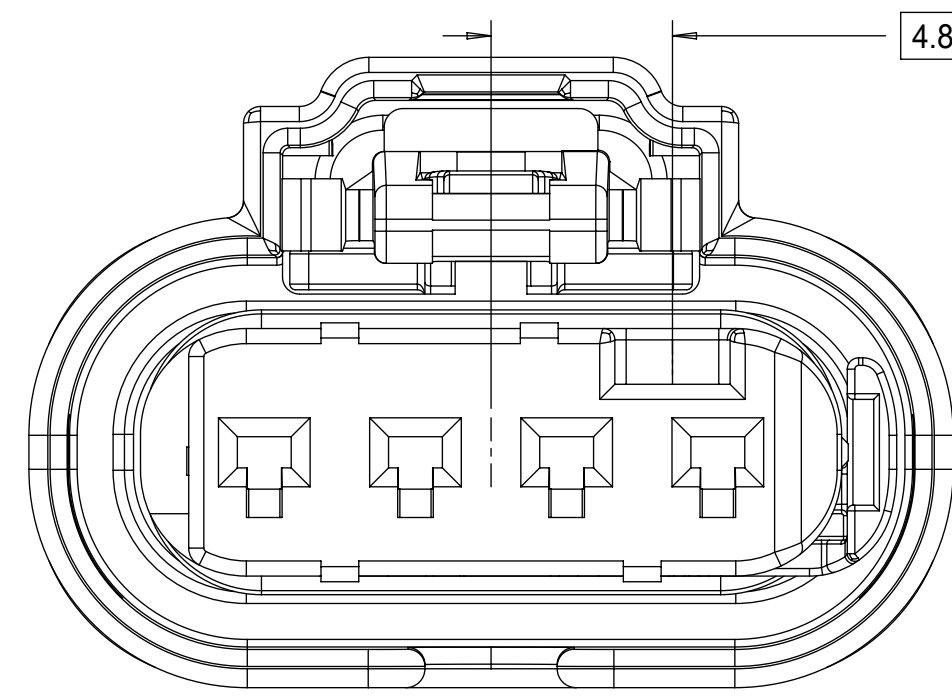
KEYING OPTION F



KEYING OPTION C



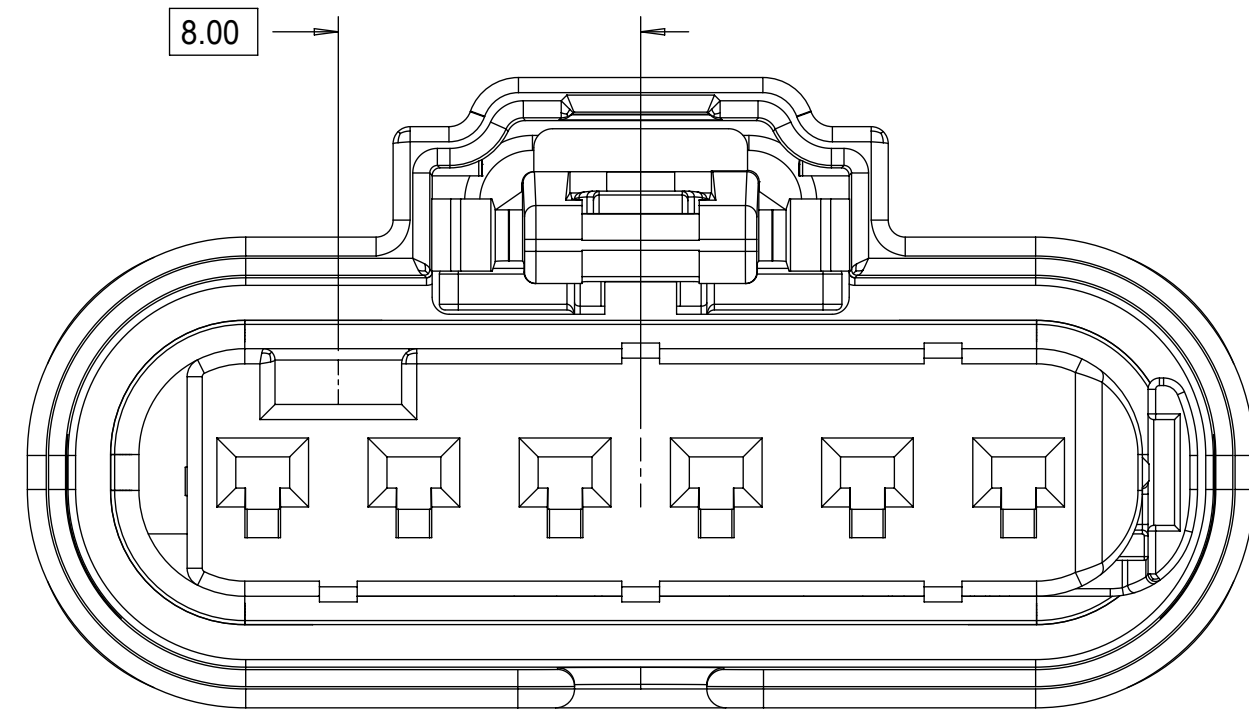
KEYING OPTION G



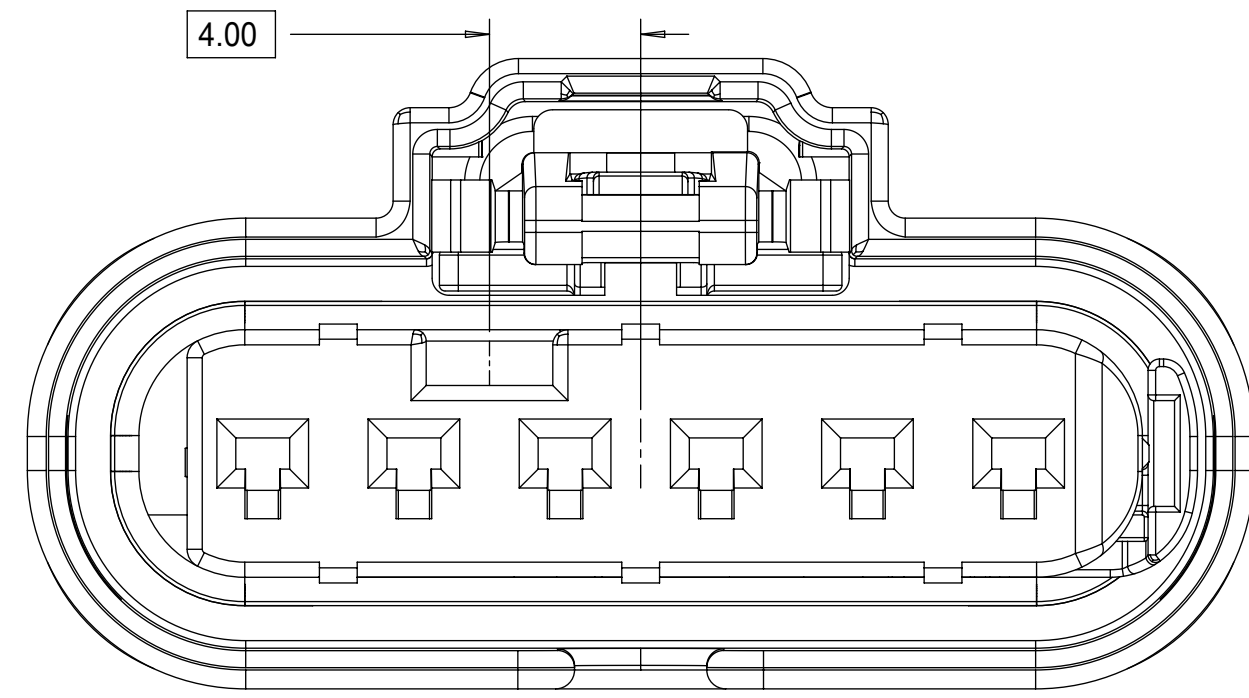
KEYING OPTION D

THIS DRAWING CONTAINS INFORMATION THAT IS PROPRIETARY TO MOLEX ELECTRONIC TECHNOLOGIES, LLC AND SHOULD NOT BE USED WITHOUT WRITTEN PERMISSION									
QUALITY SYMBOLS	GENERAL TOLERANCES (UNLESS SPECIFIED)				DIMENSION UNITS	SCALE			
	ANGULAR TOL ± 3.0 °				mm	5:1			
▽ = 0	2019/12/02	2019/12/03	2019/12/03	4 PLACES ±	DRWN BY	DATE	1.2MM 1X4, 1X6 RECPT. SEALED ASSEMBLY CABLE SEAL 626759 - CHANGED CPA2 TO CPA2. ROLLING CHANGE AT GM.		
▽ = 0	DRWN: GELIOTTO1	CHKD: KBORUSZEWSKI	APPR: KBORUSZEWSKI	3 PLACES ±	MVANSLAMBROU	2012/05/03			
▽ = 0	EC NO: 628401	DRWN: GELIOTTO1	CHKD: KBORUSZEWSKI	2 PLACES ± 0.1	CHKD BY	DATE	PRODUCT CUSTOMER DRAWING		
▽ = 0				1 PLACE ± 0.2	APPR BY	DATE			
▽ = 0				0 PLACES ± 0.5	GGA	2012/12/13	SERIES	MATERIAL NUMBER	CUSTOMER
▽ = 0				DRAFT WHERE APPLICABLE MUST REMAIN WITHIN DIMENSIONS	DRAWING SIZE	THIRD ANGLE PROJECTION	34900	SEE BOM	GENERAL MARKET
▽ = 0	A16				DOCUMENT NUMBER	DOC TYPE	DOC PART	SHEET NUMBER	
					SD-34900-6001	PSD	001	2 OF 7	

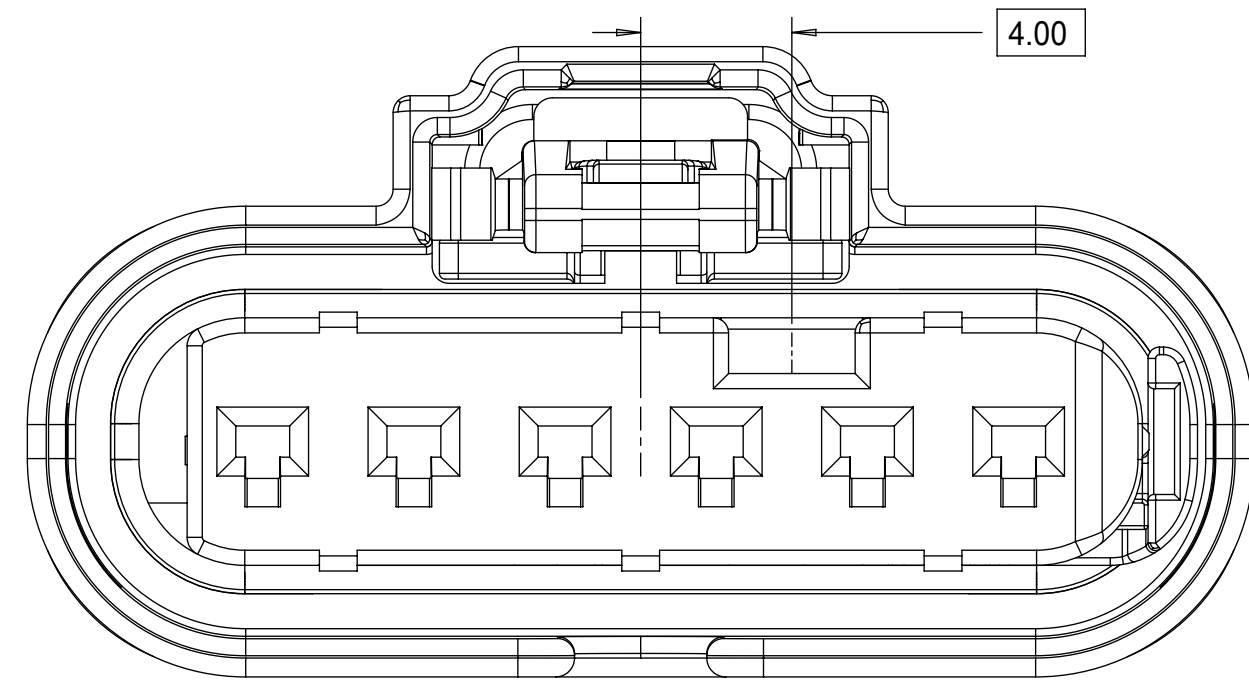
1x6 RECEPTACLE SEALED ASSEMBLY KEYING CONFIGURATIONS. FOR PART NUMBERS REFER TO BOM SHEET.



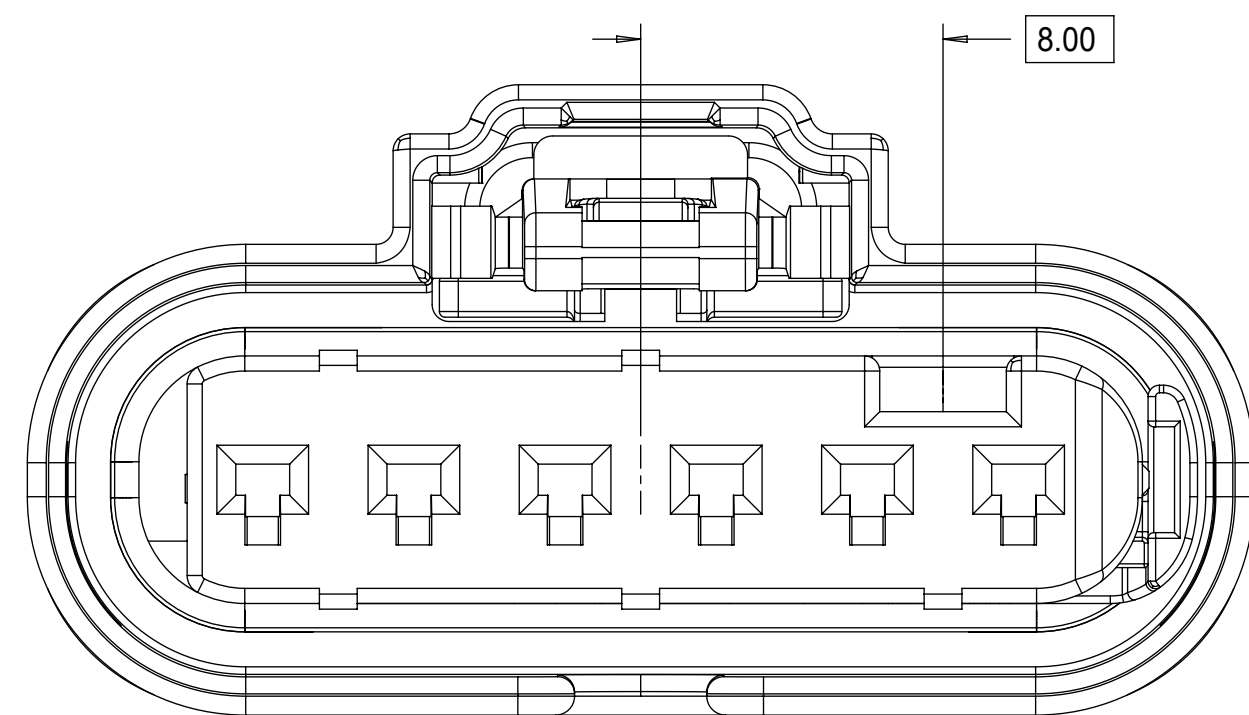
KEYING OPTION A



KEYING OPTION B



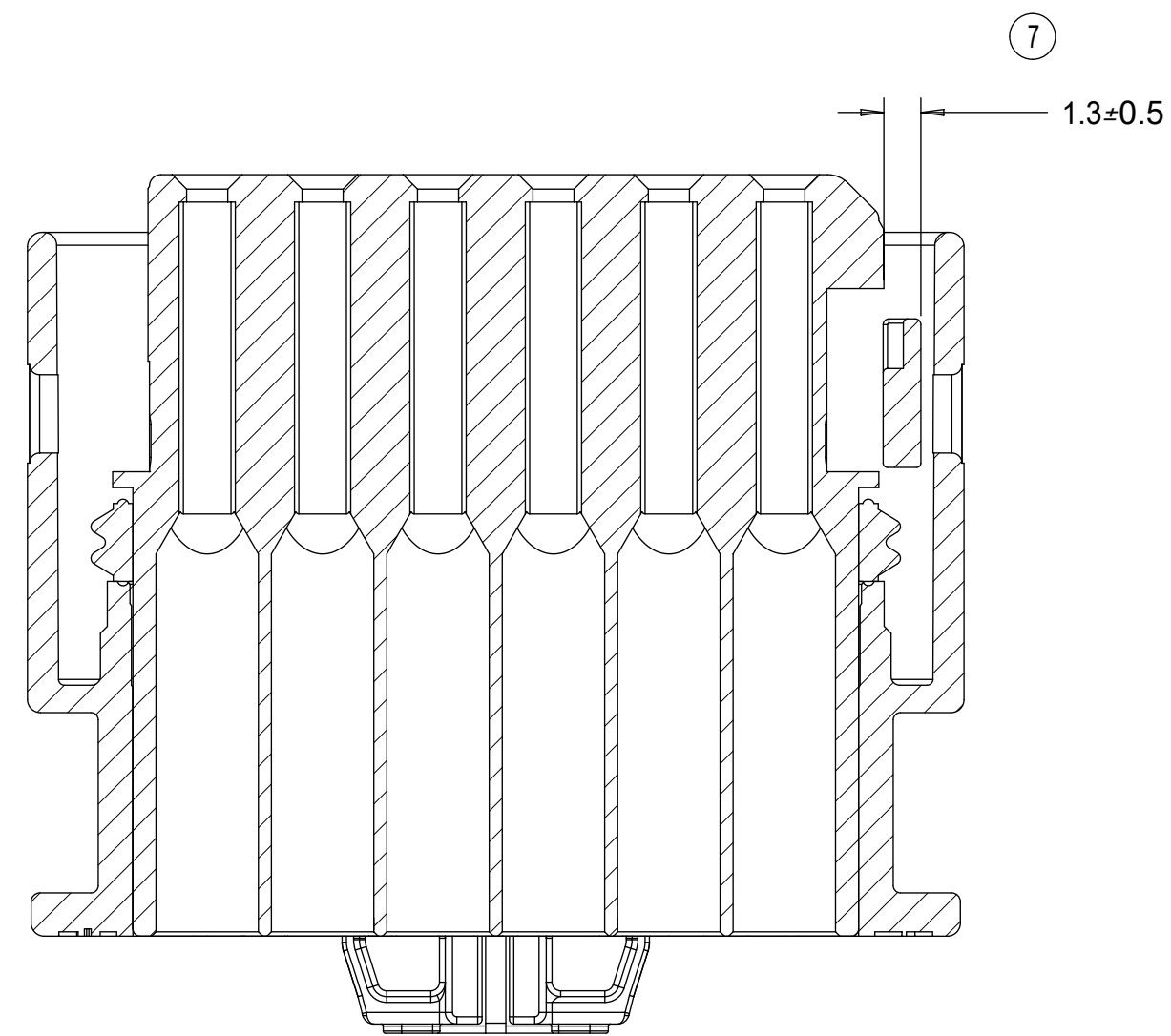
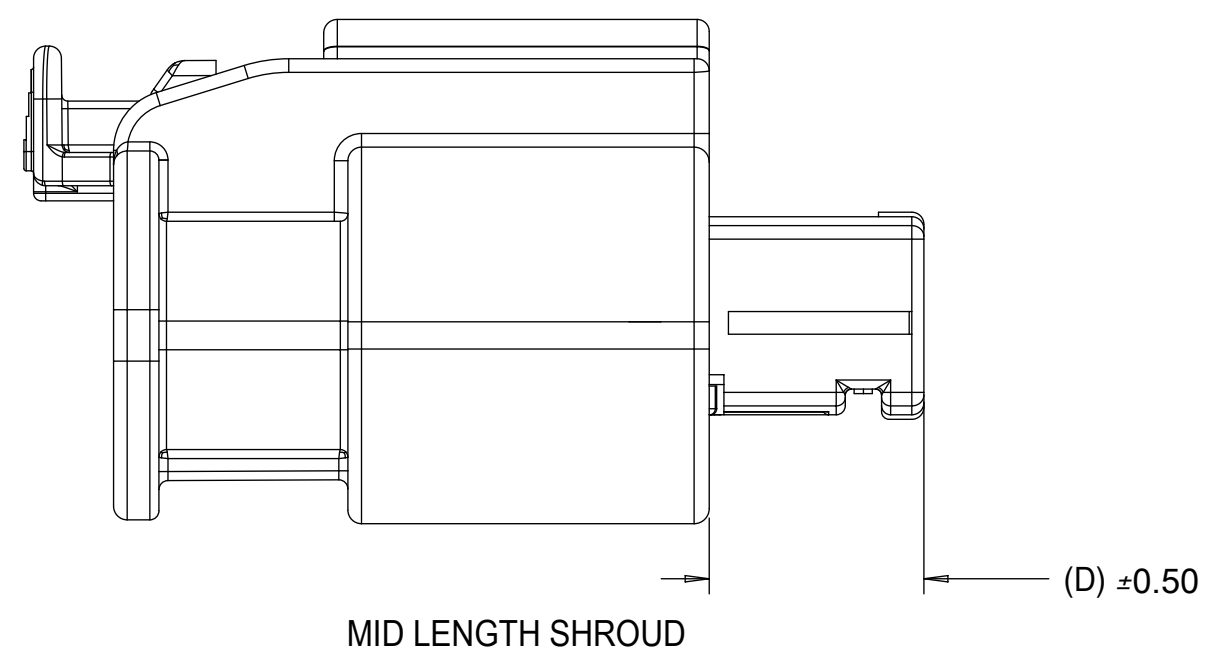
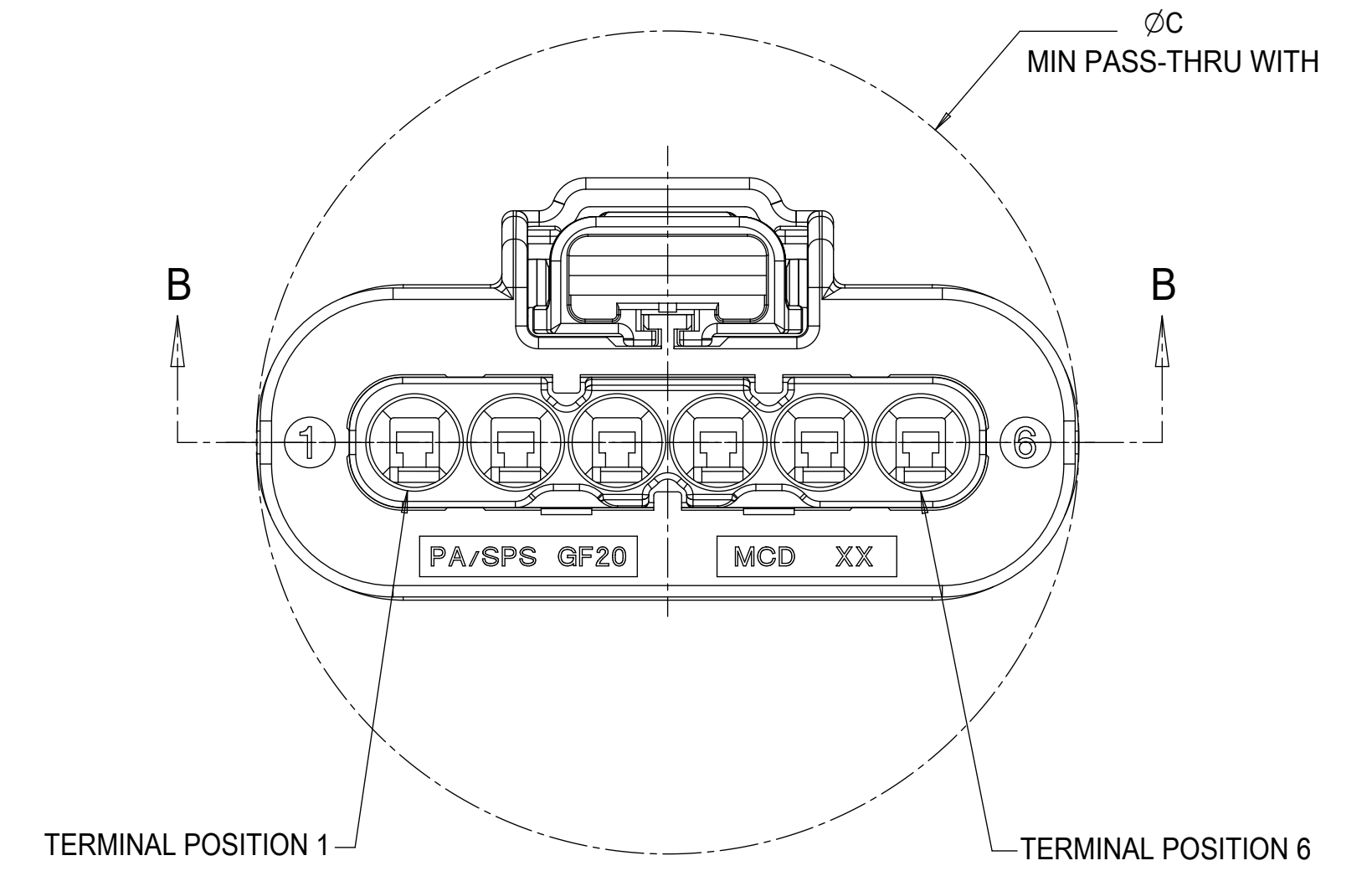
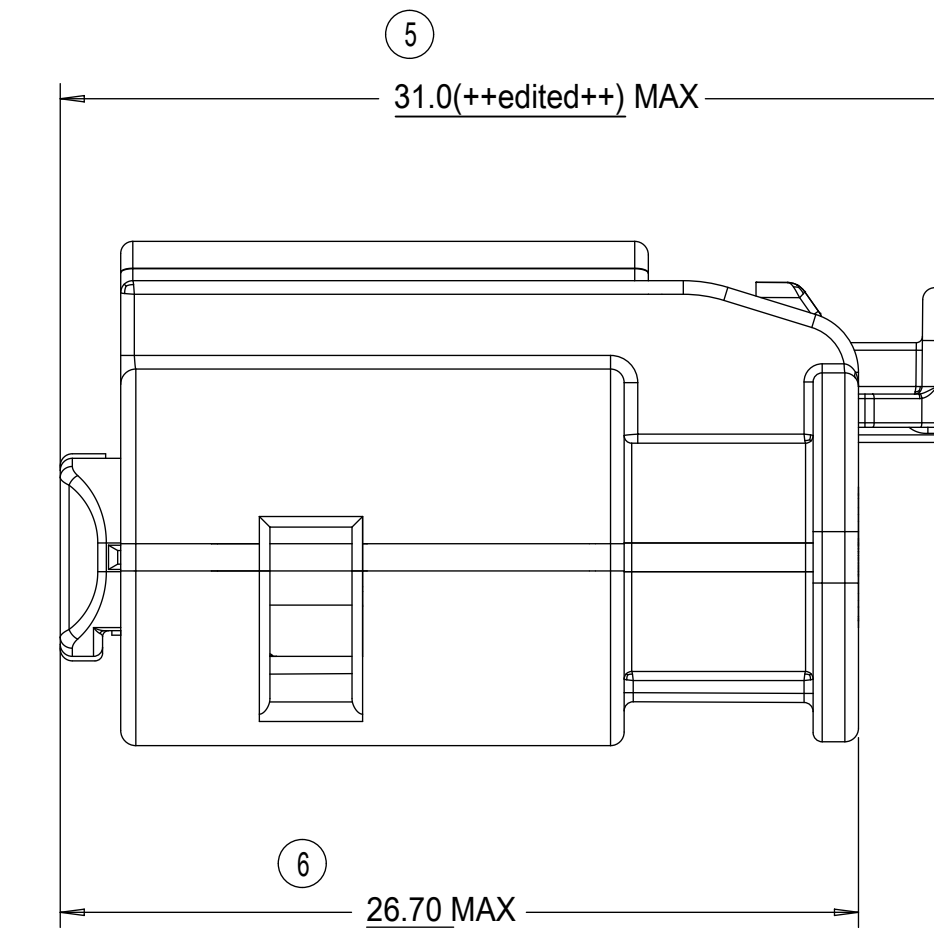
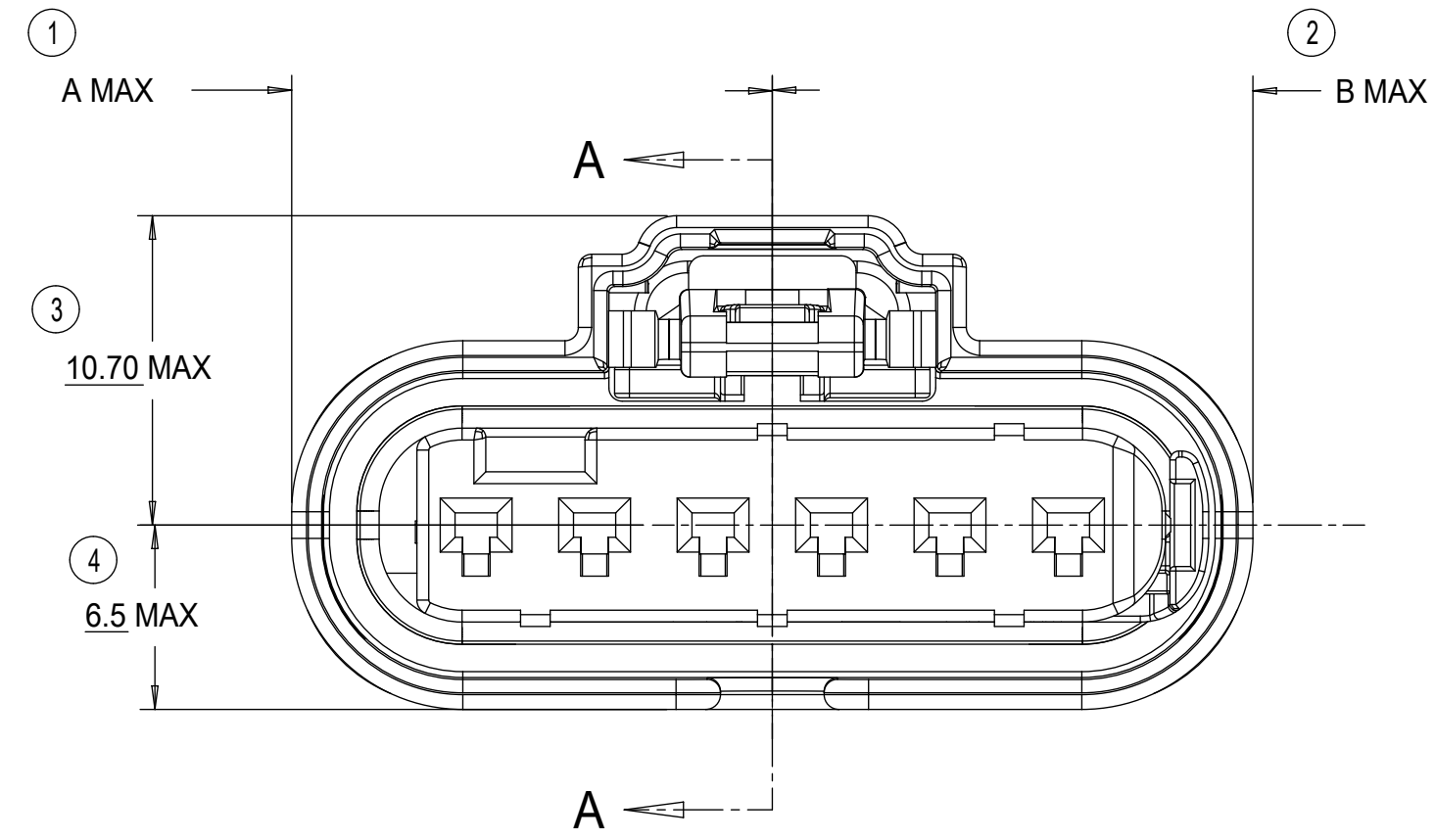
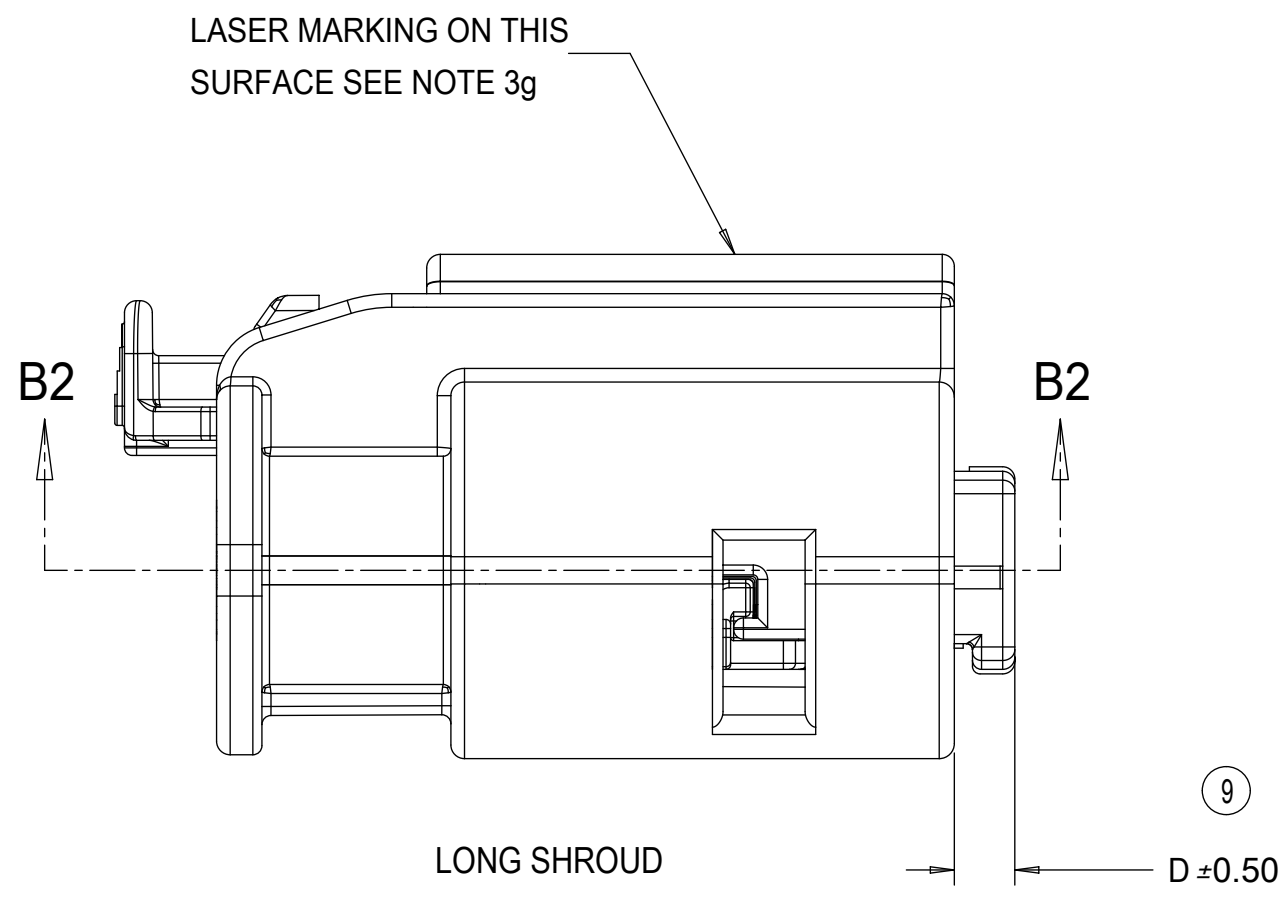
KEYING OPTION C



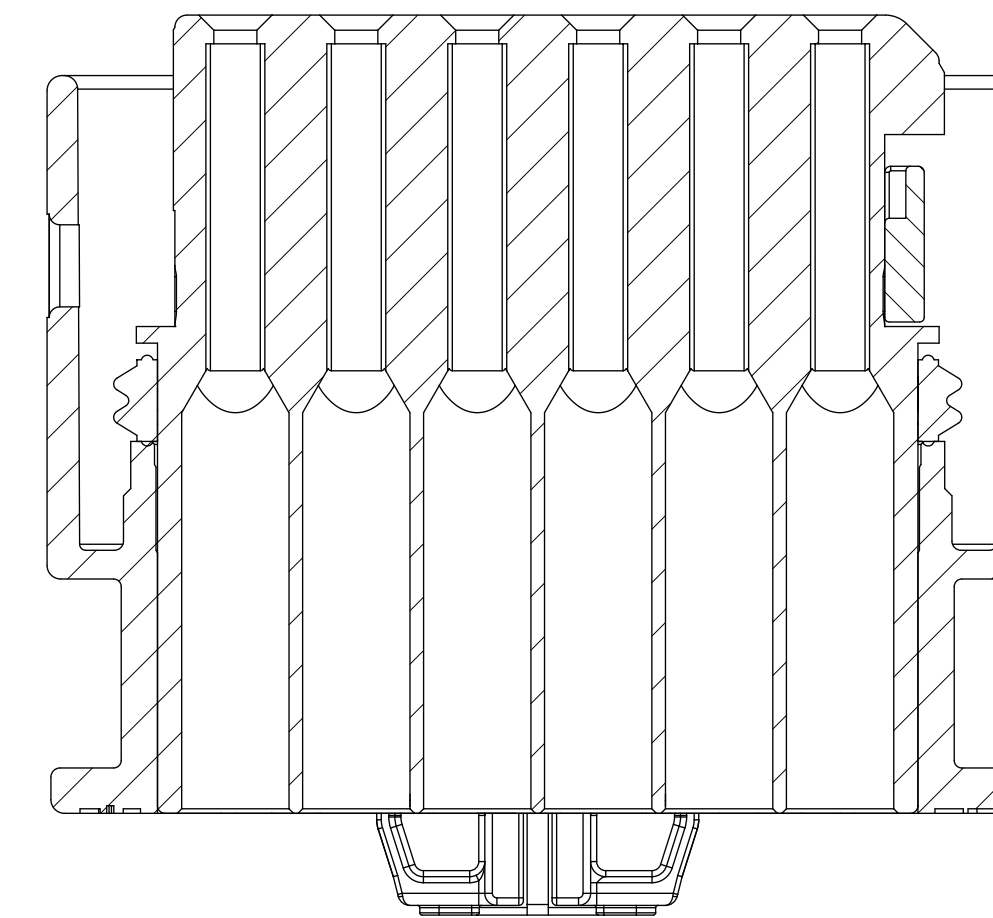
KEYING OPTION D

THIS DRAWING CONTAINS INFORMATION THAT IS PROPRIETARY TO MOLEX ELECTRONIC TECHNOLOGIES, LLC AND SHOULD NOT BE USED WITHOUT WRITTEN PERMISSION										
QUALITY SYMBOLS	2019/12/02		GENERAL TOLERANCES (UNLESS SPECIFIED)		DIMENSION UNITS		SCALE			
	2019/12/03		ANGULAR TOL ± 3.0 °		mm		5:1			
▽ = 0	EC NO: 628401 DRWN: GELLIOTTO1 CHKD: KBORUSZEWSKI REV APPR: KBORUSZEWSKI	4 PLACES ±		DRWN BY		DATE				
▽ = 0		3 PLACES ±		MVANSLAMBROU		2012/05/03				
▽ = 0		2 PLACES ± 0.1		CHKD BY		DATE				
▽ = 0		1 PLACE ± 0.2		APPR BY		DATE				
▽ = 0		0 PLACES ± 0.5		GGA		2012/12/13				
▽ = 0		DRAFT WHERE APPLICABLE MUST REMAIN WITHIN DIMENSIONS		DRAWING SIZE		THIRD ANGLE PROJECTION				
▽ = 0	A16		D		34900		SEE BOM		GENERAL MARKET	
RELEASE STATUS			RELEASE DATE			DOCUMENT NUMBER		DOC TYPE		DOC PART SHEET NUMBER
P1			2019/12/03 18:50:25			SD-34900-6001		PSD		001 3 OF 7

RECEPTACLE SEALED ASSEMBLY



SECTION B-B
INDEPENDENT SECONDARY LOCK (ISL)
SHOWN IN THE PRE-STAGED POSITION



SECTION B2-B2
INDEPENDENT SECONDARY LOCK (ISL)
SHOWN IN THE FINAL-LOCK POSITION

DESCRIPTION	A	B	C	D
1x6 MID LENGTH SHROUD	16.5	16.5	33.0	6.70
1x4 MID LENGTH SHROUD	16.5	16.5	25.0	6.70
1x6 LONG SHROUD	16.5	16.5	33.0	2.00
1x4 LONG SHROUD	12.5	12.5	25.0	2.00

CHARTED DIMENSIONS

THIS DRAWING CONTAINS INFORMATION THAT IS PROPRIETARY TO MOLEX ELECTRONIC TECHNOLOGIES, LLC AND SHOULD NOT BE USED WITHOUT WRITTEN PERMISSION												
QUALITY SYMBOLS	EC NO: 628401 DRWN: GELIOTTO1 CHKD: KBORUSZEWSKI REV APPR: KBORUSZEWSKI	GENERAL TOLERANCES (UNLESS SPECIFIED)		DIMENSION UNITS	SCALE							
		ANGULAR TOL ± 3.0 °		mm	4:1							
▽ = 0 ▽ = 0 ▽ = 0 ▽ = 0 ▽ = 0 ▽ = 0 ▽ = 0 ▽ = 0	2019/12/02 2019/12/03 2019/12/03	4 PLACES ±		DRWN BY	DATE	1.2MM 1X4, 1X6 RECPT. SEALED ASSEMBLY CABLE SEAL 626759 - CHANGED CPA2 TO CPA2. ROLLING CHANGE AT GM.						
3 PLACES ±		MVANSLAMBROU	2012/05/03									
2 PLACES ± 0.1		CHKD BY	DATE	PRODUCT CUSTOMER DRAWING								
1 PLACE ± 0.2		APPR BY	DATE									
0 PLACES ± 0.5		GGA	2012/12/13	SERIES	MATERIAL NUMBER	CUSTOMER						
DRAFT WHERE APPLICABLE MUST REMAIN WITHIN DIMENSIONS		DRAFT WHERE APPLICABLE MUST REMAIN WITHIN DIMENSIONS		DRAWING SIZE	THIRD ANGLE PROJECTION	34900	SEE BOM			GENERAL MARKET		
A16		D		D		DOCUMENT NUMBER	DOC TYPE	DOC PART	SHEET NUMBER			
						SD-34900-6001	PSD	001	4 OF 7			

1X4 RECEPTACLE SEALED ASSEMBLY BOM SHEET 1

KEY OPTION	ASSEMBLY DESCRIPTION	CONNECTOR HOUSING COLOR	TERMINAL HOUSING COLOR	OUTER HOUSING SHROUD LENGTH	ASSEMBLY PART NUMBER	CHB	CHY	CHMB	A	B	C	D	E	F	G	CPA1	CPA2	PRODUCTION TOOL STATUS	COMMENTS	DESIGNED TO MATE WITH DEVICE CONNECTION		
KEY OPTION G	BLACK	LIGHT GRAY	LONG	34900-4226	CHB										G	CPA2	SALABLE			1	2	
KEY OPTION F	BLACK	BLACK	LONG	34900-4225	CHB									F		CPA2	SALABLE			1	2	
KEY OPTION E	BLACK	DARK GRAY	LONG	34900-4224	CHB								E			CPA2	SALABLE			1	2	
KEY OPTION D	BLACK	LIGHT GRAY	LONG	34900-4223	CHB							D				CPA2	SALABLE			1	2	
KEY OPTION C	BLACK	DARK GRAY	LONG	34900-4222	CHB							C				CPA2	SALABLE			1	2	
KEY OPTION B	BLACK	STONE GRAY	LONG	34900-4221	CHB							B				CPA2	SALABLE			1	2	
KEY OPTION A	BLACK	BLACK	LONG	34900-4220	CHB							A				CPA2	SALABLE			1	2	
KEY OPTION G	YELLOW	LIGHT GRAY	LONG	34900-4216	CHY										G	CPA2	SALABLE			1	2	
KEY OPTION F	YELLOW	BLACK	LONG	34900-4215	CHY									F		CPA2	SALABLE			1	2	
KEY OPTION E	YELLOW	DARK GRAY	LONG	34900-4214	CHY								E			CPA2	SALABLE			1	2	
KEY OPTION D	YELLOW	LIGHT GRAY	LONG	34900-4213	CHY							D				CPA2	SALABLE			1	2	
KEY OPTION C	YELLOW	DARK GRAY	LONG	34900-4212	CHY							C				CPA2	SALABLE			1	2	
KEY OPTION B	YELLOW	STONE GRAY	LONG	34900-4211	CHY							B				CPA2	SALABLE			1	2	
KEY OPTION A	YELLOW	BLACK	LONG	34900-4210	CHY							A				CPA2	SALABLE			1	2	
KEY OPTION G	BLACK	LIGHT GRAY	MID LENGTH	34900-4136				CHMB							F	CPA2	CONCEPT			1	2	
KEY OPTION F	BLACK	BLACK	MID LENGTH	34900-4135				CHMB							E		CPA2	CONCEPT			1	2
KEY OPTION E	BLACK	DARK GRAY	MID LENGTH	34900-4134				CHMB							D		CPA2	CONCEPT			1	2
KEY OPTION D	BLACK	LIGHT GRAY	MID LENGTH	34900-4133				CHMB							C		CPA2	CONCEPT			1	2
KEY OPTION C	BLACK	DARK GRAY	MID LENGTH	34900-4132				CHMB							B		CPA2	CONCEPT			1	2
KEY OPTION B	BLACK	STONE GRAY	MID LENGTH	34900-4131				CHMB							A		CPA2	CONCEPT			1	2
KEY OPTION A	BLACK	BLACK	MID LENGTH	34900-4130				CHMB									CPA2	CONCEPT			1	2
KEY OPTION G	BLACK	LIGHT GRAY	LONG	34900-4126	CHB										G	CPA1	SALABLE			1	2	
KEY OPTION F	BLACK	BLACK	LONG	34900-4125	CHB										F		CPA1	SALABLE			1	2
KEY OPTION E	BLACK	DARK GRAY	LONG	34900-4124	CHB										E		CPA1	SALABLE			1	2
KEY OPTION D	BLACK	LIGHT GRAY	LONG	34900-4123	CHB										D		CPA1	SALABLE			1	2
KEY OPTION C	BLACK	DARK GRAY	LONG	34900-4122	CHB										C		CPA1	SALABLE			1	2
KEY OPTION B	BLACK	STONE GRAY	LONG	34900-4121	CHB										B		CPA1	SALABLE			1	2
KEY OPTION A	BLACK	BLACK	LONG	34900-4120	CHB										A		CPA1	SALABLE			1	2
KEY OPTION G	YELLOW	LIGHT GRAY	LONG	34900-4116	CHY										G	CPA1	SALABLE			1	2	
KEY OPTION F	YELLOW	BLACK	LONG	34900-4115	CHY										F		CPA1	SALABLE			1	2
KEY OPTION E	YELLOW	DARK GRAY	LONG	34900-4114	CHY										E		CPA1	SALABLE			1	2
KEY OPTION D	YELLOW	LIGHT GRAY	LONG	34900-4113	CHY										D		CPA1	SALABLE			1	2
KEY OPTION C	YELLOW	DARK GRAY	LONG	34900-4112	CHY										C		CPA1	SALABLE			1	2
KEY OPTION B	YELLOW	STONE GRAY	LONG	34900-4111	CHY										B		CPA1	SALABLE			1	2
KEY OPTION A	YELLOW	BLACK	LONG	34900-4110	CHY										A		CPA1	SALABLE			1	2

DESCRIPTION	COLOR	MATERIAL	COMMENTS
RING SEAL	LIGHT BLUE	INHERENTLY LUBRICATED SILICONE	
ISL	NATURAL	SPS/NYLON GF20	
CPA2	RED	PBT GF30	
CPA1	RED	PBT GF30	
TERMINAL HOUSING KEYING OPTION G	LIGHT GRAY	SPS/NYLON GF20	
TERMINAL HOUSING KEYING OPTION F	BLACK	SPS/NYLON GF20	
TERMINAL HOUSING KEYING OPTION E	DARK GRAY	SPS/NYLON GF20	
TERMINAL HOUSING KEYING OPTION D	LIGHT GRAY	SPS/NYLON GF20	
TERMINAL HOUSING KEYING OPTION C	DARK GRAY	SPS/NYLON GF20	
TERMINAL HOUSING KEYING OPTION B	STONE GRAY	SPS/NYLON GF20	
TERMINAL HOUSING KEYING OPTION A	BLACK	SPS/NYLON GF20	
MID LENGTH CONNECTOR HOUSING	BLACK	SPS/NYLON GF20	
CONNECTOR HOUSING	BLACK	SPS/NYLON GF20	UPDATED LATCH
CONNECTOR HOUSING	YELLOW	SPS/NYLON GF20	UPDATED LATCH
WIRE DRESS COVER STRAIGHT	BLACK	PA66	
WIRE DRESS COVER LEFT	BLACK	PA66	SOLD SEPARATELY SEE SD-160091-0001
WIRE DRESS COVER RIGHT	BLACK	PA66	
DESCRIPTION	COLOR	MATERIAL	COMMENTS

BOM/APPLICABLE COMPONENTS TABLE

ABREVIATION	COMPONENT
CHY	CONNECTOR HOUSING YELLOW
CHB	CONNECTOR HOUSING BLACK
CHBM	CONNECTOR HOUSING BLACK MID SHROUD
A	TERMINAL HOUSING KEY A
B	TERMINAL HOUSING KEY B
C	TERMINAL HOUSING KEY C
D	TERMINAL HOUSING KEY D
E	TERMINAL HOUSING KEY E
F	TERMINAL HOUSING KEY F
G	TERMINAL HOUSING KEY G
CPA1	CPA VERSION 1
CPA2	CPA VERSION 2
ISL	ISL
RING SEAL	RING SEAL
1	USCAR INTERFACE 120-S-004-1-Z02 SEE NOTE 1f FOR WEBSITE
2	MOLEX INLINE BLADE CONNECTOR SD-34899-6001

QUALITY SYMBOLS 	THIS DRAWING CONTAINS INFORMATION THAT IS PROPRIETARY TO MOLEX ELECTRONIC TECHNOLOGIES, LLC AND SHOULD NOT BE USED WITHOUT WRITTEN PERMISSION														
	EC NO: 628401 DRWN: GELIOTT01 CHKD: KBORUSZEWSKI REV APPR: KBORUSZEWSKI	2019/12/02 2019/12/03 2019/12/03	GENERAL TOLERANCES (UNLESS SPECIFIED) ANGULAR TOL ± 3.0 ° 4 PLACES ± 3 PLACES ± 2 PLACES ± 0.1 1 PLACE ± 0.2 0 PLACES ± 0.5 DRAFT WHERE APPLICABLE MUST REMAIN WITHIN DIMENSIONS	DIMENSION UNITS: mm SCALE: 5:1 DRWN BY: MVANSLAMBROU DATE: 2012/05/03 CHKD BY: GGA DATE: 2012/12/13		1.2MM 1X4, 1X6 RECPT. SEALED ASSEMBLY CABLE SEAL 626759 - CHANGED CPA2 TO CPA1. ROLLING CHANGE AT GM.					PRODUCT CUSTOMER DRAWING				
					APPR BY: GGA DATE: 2012/12/13	SERIES: 34900 MATERIAL NUMBER: SEE BOM CUSTOMER: GENERAL MARKET									
					DRAWING SIZE: D THIRD ANGLE PROJECTION						DOCUMENT NUMBER: SD-34900-6001 DOC TYPE: PSD DOC PART: 001 SHEET NUMBER: 5 OF 7				

1X6 RECEPTACLE SEALED ASSEMBLY BOM SHEET 1

KEYING OPTION D	BLACK	STONE GRAY	MID LENGTH	34900-6230			CHMB			D	CPA2	SALABLE		1		3
KEYING OPTION C	BLACK	DARK GRAY	MID LENGTH	34900-6221			CHMB			C	CPA2	SALABLE		1		3
KEYING OPTION B	BLACK	LIGHT GRAY	MID LENGTH	34900-6228			CHMB		B		CPA2	SALABLE		1		3
KEYING OPTION A	BLACK	BLACK	MID LENGTH	34900-6219			CHMB	A			CPA2	SALABLE		1		3
KEYING OPTION D	BLACK	STONE GARY	LONG	34900-6243			CHLB			D	CPA2	SALABLE		1	2	
KEYING OPTION C	BLACK	DARK GRAY	LONG	34900-6242			CHLB			C	CPA2	SALABLE		1	2	
KEYING OPTION B	BLACK	LIGHT GRAY	LONG	34900-6241			CHLB		B		CPA2	SALABLE		1	2	
KEYING OPTION A	BLACK	BLACK	LONG	34900-6240			CHLB	A			CPA2	SALABLE		1	2	
KEYING OPTION D	YELLOW	STONE GRAY	LONG	34900-6213	CHLY					D	CPA2	SALABLE		1	2	
KEYING OPTION C	YELLOW	DARK GRAY	LONG	34900-6212	CHLY					C	CPA2	SALABLE		1	2	
KEYING OPTION B	YELLOW	LIGHT GRAY	LONG	34900-6211	CHLY				B		CPA2	SALABLE		1	2	
KEYING OPTION A	YELLOW	BLACK	LONG	34900-6210	CHLY			A			CPA2	SALABLE		1	2	
KEYING OPTION D	BLACK	STONE GRAY	MID LENGTH	34900-6130			CHMB			D	CPA1	SALABLE		1		3
KEYING OPTION C	BLACK	DARK GRAY	MID LENGTH	34900-6121			CHMB			C	CPA1	SALABLE		1		3
KEYING OPTION B	BLACK	LIGHT GRAY	MID LENGTH	34900-6128			CHMB		B		CPA1	SALABLE		1		3
KEYING OPTION A	BLACK	BLACK	MID LENGTH	34900-6119			CHMB	A			CPA1	SALABLE		1		3
KEYING OPTION D	BLACK	STONE GARY	LONG	34900-6143			CHLB			D	CPA1	SALABLE		1	2	
KEYING OPTION C	BLACK	DARK GRAY	LONG	34900-6142			CHLB			C	CPA1	SALABLE		1	2	
KEYING OPTION B	BLACK	LIGHT GRAY	LONG	34900-6141			CHLB		B		CPA1	SALABLE		1	2	
KEYING OPTION A	BLACK	BLACK	LONG	34900-6140			CHLB	A			CPA1	SALABLE		1	2	
KEYING OPTION D	YELLOW	STONE GRAY	LONG	34900-6113	CHLY					D	CPA1	SALABLE		1	2	
KEYING OPTION C	YELLOW	DARK GRAY	LONG	34900-6112	CHLY					C	CPA1	SALABLE		1	2	
KEYING OPTION B	YELLOW	LIGHT GRAY	LONG	34900-6111	CHLY				B		CPA1	SALABLE		1	2	
KEYING OPTION A	YELLOW	BLACK	LONG	34900-6110	CHLY			A			CPA1	SALABLE		1	2	
ASSEMBLY DESCRIPTION	CONNECTOR HOUSING COLOR	TERMINAL CAVITY COLOR	OUTER HOUSING SHROUD LENGTH	ASSEMBLY PART NUMBER				A	B	C	D	CPA1	CPA2	STATUS	COMMENTS	DESIGNED TO MATE WITH DEVICE CONNECTION

DESCRIPTION	COLOR	MATERIAL	COMMENTS
RING SEAL	BURNT RED	INHERENTLY LUBRICATED SILICONE	
ISL	NATURAL	SPS/NYLON GF20	
CPA2	RED	PBT GF30	
CPA1	RED	PBT GF30	
TERMINAL HOUSING KEYING OPTION D	STONE GRAY	SPS/NYLON GF20	
TERMINAL HOUSING KEYING OPTION C	DARK GRAY	SPS/NYLON GF20	
TERMINAL HOUSING KEYING OPTION B	LIGHT GRAY	SPS/NYLON GF20	
TERMINAL HOUSING KEYING OPTION A	BLACK	SPS/NYLON GF20	
CONNECTOR HOUSING MID LENGTH	BLACK	SPS/NYLON GF20	UPDATED LATCH
CONNECTOR HOUSING LONG	BLACK	SPS/NYLON GF20	UPDATED LATCH
CONNECTOR HOUSING LONG	YELLOW	SPS/NYLON GF20	UPDATED LATCH
WIRE DRESS COVER STRAIGHT	BLACK	PA66	SOLD SEPARATELY SEE SD-160091-0001
WIRE DRESS COVER LEFT	BLACK	PA66	
WIRE DRESS COVER RIGHT	BLACK	PA66	

BOM / APPLICABLE COMPONENTS TABLE

LEGEND TABLE

ABREVIATION	COMPONENT
CHLY	CONNECTOR HOUSING LONG YELLOW
CHLB	CONNECTOR HOUSING LONG BLACK
CHMB	CONNECTOR HOUSING MEDIUM BLACK
A	TERMINAL HOUSING KEY A
B	TERMINAL HOUSING KEY B
C	TERMINAL HOUSING KEY C
D	TERMINAL HOUSING KEY D
CPA1	CPA VERSION 1
CPA2	CPA VERSION 2
ISL	ISL
RING SEAL	RING SEAL
1	USCAR INTERFACE 120-S-006-1-Z02 SEE NOTE 1f FOR WEBSITE
2	MOLEX INLINE BLADE CONNECTOR SD-34899-6001
3	USCAR INTERFACE 120-S-006-1-Z04 SEE NOTE 1f FOR WEBSITE

QUALITY SYMBOLS 	THIS DRAWING CONTAINS INFORMATION THAT IS PROPRIETARY TO MOLEX ELECTRONIC TECHNOLOGIES, LLC AND SHOULD NOT BE USED WITHOUT WRITTEN PERMISSION										
	EC NO: 628401 DRWN: GELIOTTO1 CHKD: KBORUSZEWSKI REV APPR: KBORUSZEWSKI	2019/12/02 2019/12/03 2019/12/03	GENERAL TOLERANCES (UNLESS SPECIFIED) ANGULAR TOL ± 3.0 ° 4 PLACES ± 3 PLACES ± 2 PLACES ± 0.1 1 PLACE ± 0.2 0 PLACES ± 0.5	DIMENSION UNITS: mm SCALE: 2:1 DRWN BY: MVANSLAMBROU DATE: 2012/05/03 CHKD BY: DATE: APPR BY: GGA DATE: 2012/12/13		1.2MM 1X4, 1X6 RECPT. SEALED ASSEMBLY CABLE SEAL 626759 - CHANGED CPA2 TO CPA2. ROLLING CHANGE AT GM.					
	DRAFT WHERE APPLICABLE MUST REMAIN WITHIN DIMENSIONS				DRAWING SIZE: D THIRD ANGLE PROJECTION	PRODUCT CUSTOMER DRAWING		SERIES: 34900 MATERIAL NUMBER: SEE TABLE CUSTOMER: GENERAL MARKET			
	RELEASE STATUS: P1 RELEASE DATE: 2019/12/03 18:50:25		DOCUMENT NUMBER: SD-34900-6001 DOC TYPE: PSD DOC PART: 001 SHEET NUMBER: 6 OF 7								

OBSELETE PART NUMBERS

34900-4026	OBSELETE
34900-4025	OBSELETE
34900-4024	OBSELETE
34900-4023	OBSELETE
34900-4022	OBSELETE
34900-4021	OBSELETE
34900-4020	OBSELETE
34900-4016	OBSELETE
34900-4015	OBSELETE
34900-4014	OBSELETE
34900-4013	OBSELETE
34900-4012	OBSELETE
34900-4011	OBSELETE
34900-4010	OBSELETE
ASSEMBLY PART NUMBER	STATUS

1X4

34900-6030	OBSELETE
34900-6021	OBSELETE
34900-6028	OBSELETE
34900-6019	OBSELETE
34900-6043	OBSELETE
34900-6042	OBSELETE
34900-6041	OBSELETE
34900-6040	OBSELETE
34900-6013	OBSELETE
34900-6012	OBSELETE
34900-6011	OBSELETE
34900-6010	OBSELETE
ASSEMBLY PART NUMBER	STATUS

1X6

THIS DRAWING CONTAINS INFORMATION THAT IS PROPRIETARY TO MOLEX ELECTRONIC TECHNOLOGIES, LLC AND SHOULD NOT BE USED WITHOUT WRITTEN PERMISSION									
DIMENSION UNITS	SCALE	Material:			molex				
mm	1:1	Heat treat:							
GENERAL TOLERANCES (UNLESS SPECIFIED)		Finish:			1.2MM 1X4, 1X6 RECPT. SEALED ASSEMBLY CABLE SEAL 626759 - CHANGED CPA2 TO CPA2. ROLLING CHANGE AT GM.				
ANGULAR TOL ± 3.0 °		CURRENT REV DESC:							
4 PLACES	±	EC NO: 628401 DRWN: GELLIOTT01 2019/12/02 CHK'D: KBORUSZEWSKI 2019/12/03 APPR: KBORUSZEWSKI 2019/12/03 ORIG DRWN BY: MVANSLAMBROU 2012/05/03			PRODUCT CUSTOMER DRAWING				
3 PLACES	±				DOCUMENT NUMBER				
2 PLACES	± 0.1				SD-34900-6001				
1 PLACE	± 0.2				PSD 001 A16				
0 PLACES	± 0.5				REVISION				
TOOL NUMBER	THIRD ANGLE PROJECTION	DRAWING	SERIES	MATERIAL NUMBER	CUSTOMER		SHEET NUMBER		
		D-SIZE	34900		GENERAL MARKET		7 OF 7		