

TABLE OF CONTENTS

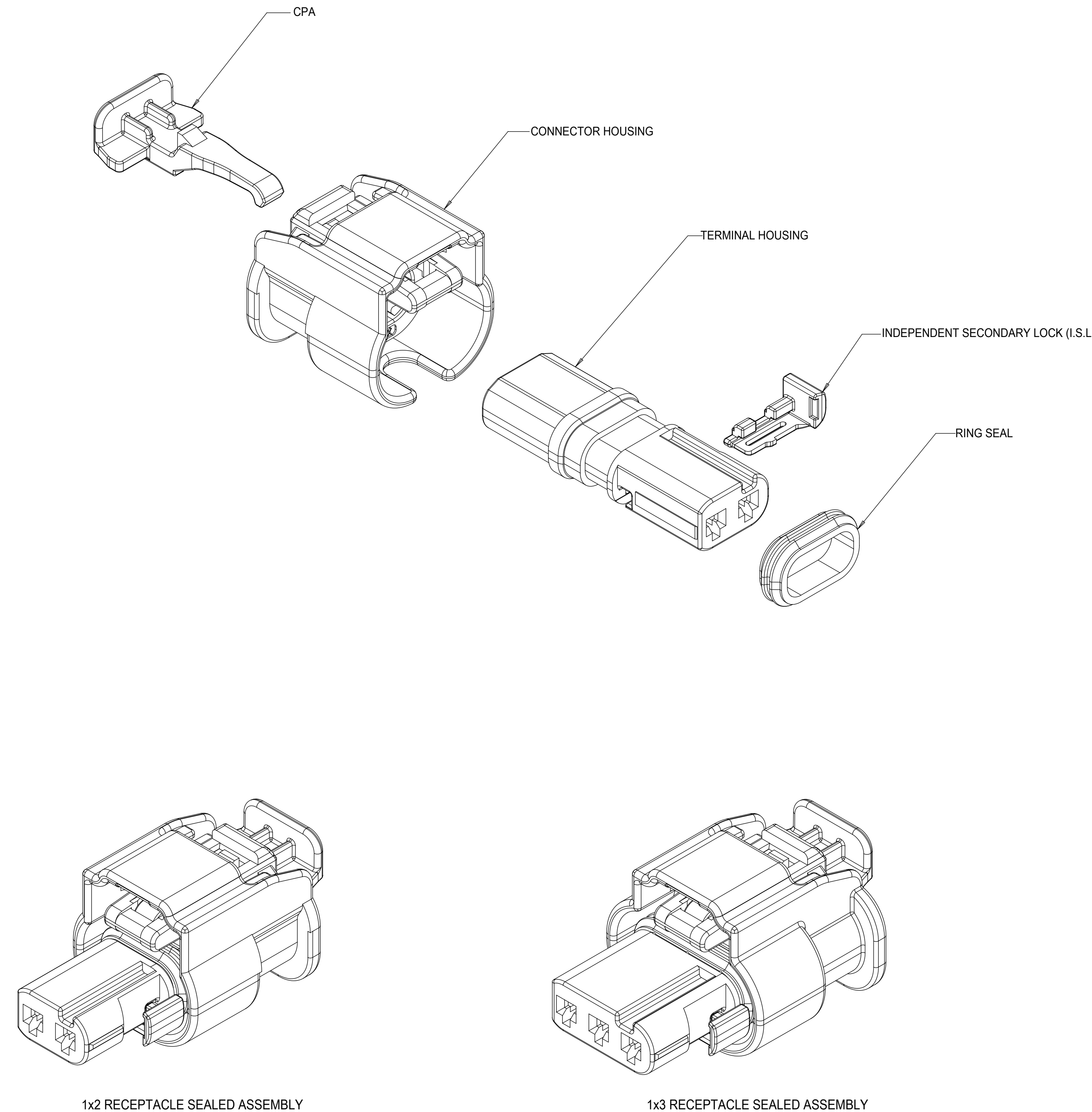
SHEET NO.	SHEET DESCRIPTION
1	NOTES
2	1x2 RECEPTACLE SEALED ASSEMBLY KEYING CONFIGURATIONS
3	1x3 RECEPTACLE SEALED ASSEMBLY KEYING CONFIGURATIONS
4	RECEPTACLE SEALED ASSEMBLY
5	1x2 RECEPTACLE SEALED ASSEMBLY BOM SHEET 1
6	1x3 RECEPTACLE SEALED ASSEMBLY BOM SHEET 1
7	OBSOLETE PART NUMBERS

NOTES: VALID UNLESS OTHERWISE SPECIFIED

1. GENERAL:
 - a. APPLICATION SPECIFICATION SEE: AS-34900-0001
CONTAINS: PRODUCT INTRODUCTION, PRODUCT SUMMARY, CONNECTOR ASSEMBLY, PACKAGING INFORMATION, CONNECTOR MATING, SERVICE INSTRUCTIONS, ELECTRICAL CONTINUITY CHECKING, CRIMPING, AND TROUBLESHOOTING.
 - b. PRODUCT SPECIFICATION SEE: PS-34900-0001
CONTAINS: PRODUCT INTRODUCTION, PRODUCT SUMMARY, RATINGS (CURRENT, TEMPERATURE, SEALING, AND FLAMMABILITY), AND PRODUCT VALIDATION.
 - c. PACKAGING SPECIFICATION PER MOLEX DRAWING: PK-31301-898
 - d. PARTS MUST BE IN COMPLIANCE TO MOLEX CHEMICAL SUBSTANCES FOR PRODUCTS AND PACKAGING SPECIFICATION: ES-40000-5016
 - e. DATA MUST BE SUBMITTED UNDER THE MOLEX PART NUMBER TO IMDS (COMPANY ID#13255)
 - f. DESIGNED TO MATE WITH DEVICE CONNECTION AS SPECIFIED IN BOM CHART
USCAR DRAWINGS AND MODELS ARE AVAILABLE AT <http://ewcap.uscarteams.org/>.

2. DESIGN - MATERIALS:
 - a. SEE BOM TABLE

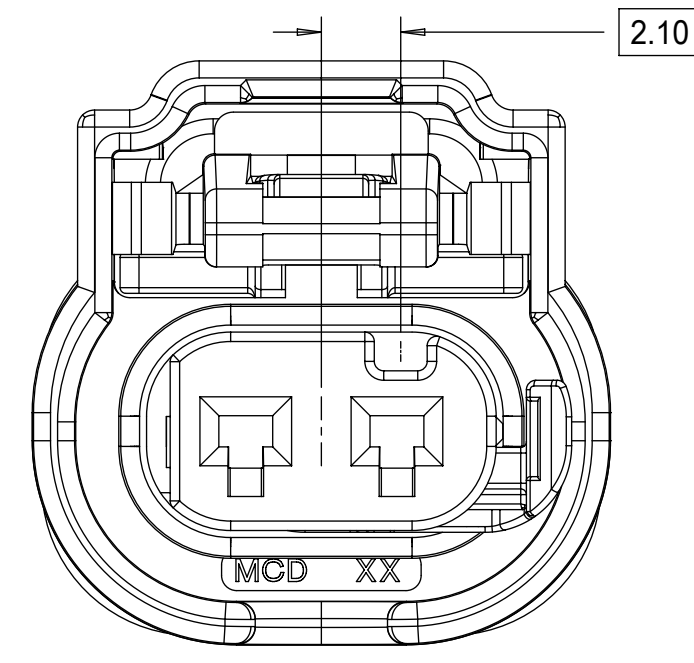
3. DESIGN - GEOMETRY:
 - a. THIS IS A 100% CAD GENERATED PART. THE CAD MATHEMATICAL DATA IS THE MASTER FOR THIS PART. FOR DIMENSIONAL OR ANY INFORMATION NOT SHOWN ON THIS DRAWING, ANALYZE THE CAD MODEL.
 - b. GEOMETRIC DIMENSIONS AND TOLERANCES PER ASME Y14.5M - 1994
 - c. EDGES AND UNDIMENSIONED DETAILS PER ISO13715
 - d. CORNERS SHOWN AS SHARP TO BE R 0.2 MAX.
 - e. LETTERING SHALL BE 0.15 MAX RAISED IN 0.25 MAX RECESS PAD.
THIS INCLUDES RECYCLING CODE, CAVITY ID, VENDOR IDENTIFICATION, AND CUSTOMER MATERIAL NUMBER.
 - f. VISUAL DEFECTS SHALL MEET COSMETIC STANDARD PS-45499-002 (Class B)
 - g. LASER MARKING:
 1. PART NUMBER
 2. DAY OF THE YEAR
 3. SHIFT
 4. YEAR



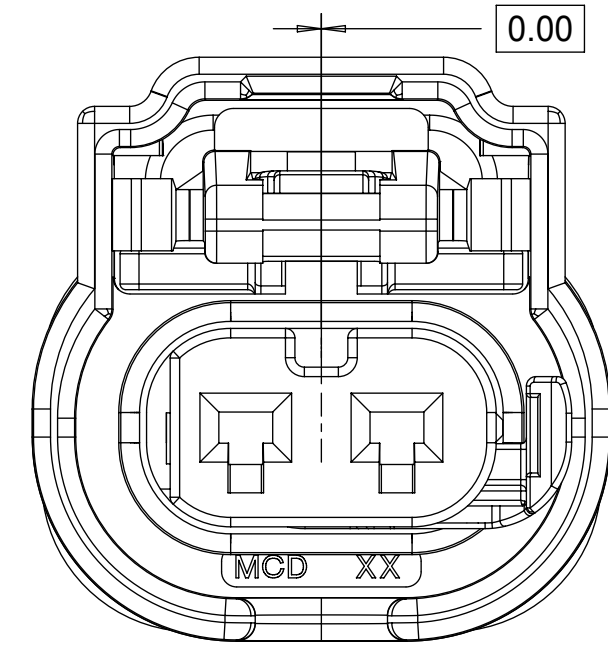
C6	CHANGED 1X2 KEY E STATUS
C5	CHANGED CPA2 TO CPA3
C4	ADDED WIRE DRESS COVERS
C3	ADDED CPA2 PNs
C2	UPDATED STATUS OF PNs
C1	- NX-REMASTERING FROM MODEL MANAGER - 1X2 KEY C MADE SALEABLE
C	34900-3127 RELEASED AS SALEABLE
B	PRIMARY KEYS (A,B) MOVED TO SALEABLE
A10	ADDED 1X3 SEVERE VIBRATION PART NUMBER
A9	1X2 AND 1X3 PART # UPDATED DIMENSION 2 UPDATED
A8	1X2 PART # UPDATED TO "TOOLED BUT NOT VALIDATED"
A7	1X2 PART # UPDATED TO "TOOLED BUT NOT VALIDATED"
A6	ADDED NEW PART NUMBERS FOR LATCH IMPROVEMENT
A5	BOM CORRECTIONS AND UPDATES
A4	BOM CORRECTIONS AND UPDATES
A3	1x2, 1x3 NON-SIR OK TO TOOL
A2	MINOR BOM CORRECTIONS
A1	ADDED COMPONENTS TO BOM
A	ADDED BLACK PART NUMBERS AND MINOR BOM UPDATES
3	ADDED 1x3
2	MINOR BOM CORRECTIONS
1	INITIAL RELEASE
REV	DESCRIPTION

QUALITY SYMBOLS	THIS DRAWING CONTAINS INFORMATION THAT IS PROPRIETARY TO MOLEX ELECTRONIC TECHNOLOGIES, LLC AND SHOULD NOT BE USED WITHOUT WRITTEN PERMISSION		DIMENSION UNITS	SCALE
▽ = 0	2019/11/22	GENERAL TOLERANCES (UNLESS SPECIFIED)	mm	4:1
▽ = 0	2019/12/02	ANGULAR TOL ± 3.0 °	DRWN BY	DATE
▽ = 0	2019/12/02	4 PLACES ±	MVANSLAMBROU	2012/02/15
▽ = 0		3 PLACES ±	CHKD BY	DATE
▽ = 0		2 PLACES ± 0.1		2013/11/06
▽ = 0		1 PLACE ± 0.2	APPR BY	DATE
▽ = 0		0 PLACES ± 0.5	GGA	2012/12/13
▽ = 0		DRAFT WHERE APPLICABLE MUST REMAIN WITHIN DIMENSIONS	DRAWING SIZE	THIRD ANGLE PROJECTION
▽ = 0			D	
	EC NO: 627959		SERIES	MATERIAL NUMBER
	DRWN: GELLIOTTO1		34900	SEE TABLE
	CHKD: KBORUSZEWSKI		CUSTOMER	GENERAL MARKET
	REV: APPR: KBORUSZEWSKI		DOCUMENT NUMBER	DOC TYPE
			SD-34900-2001	PSD
			DOC PART	SHEET NUMBER
			001	1 OF 7

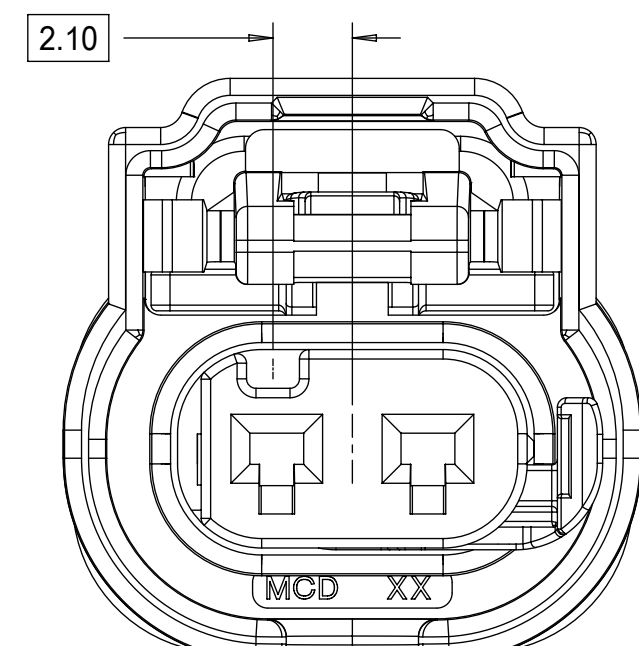
1x2 RECEPTACLE SEALED ASSEMBLY KEYING CONFIGURATIONS. FOR PART NUMBERS REFER TO BOM SHEET.



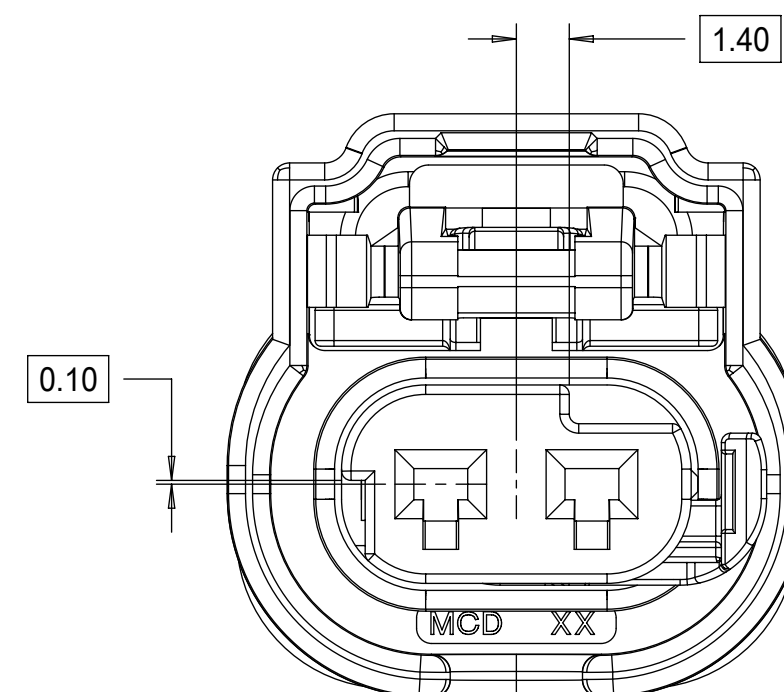
KEYING OPTION A



KEYING OPTION B



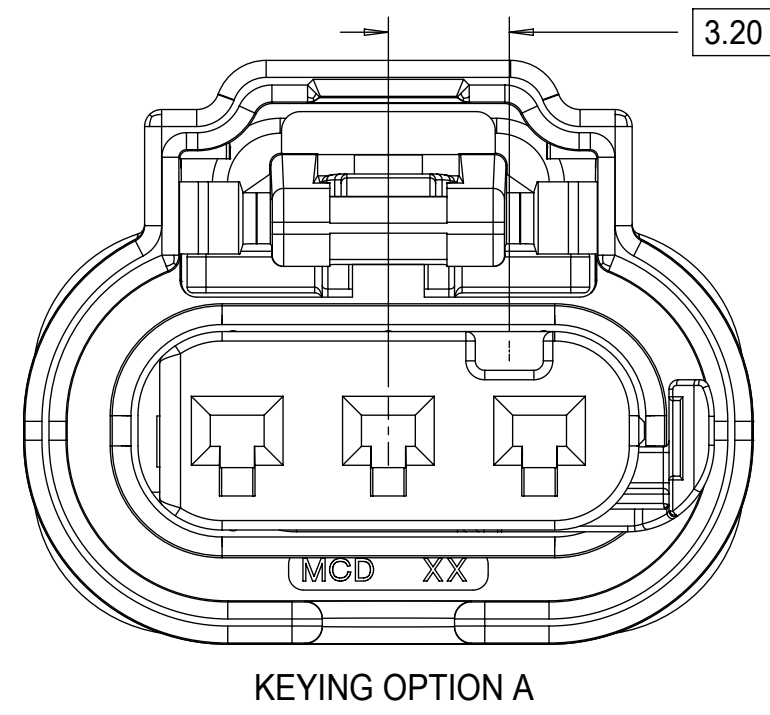
KEYING OPTION C



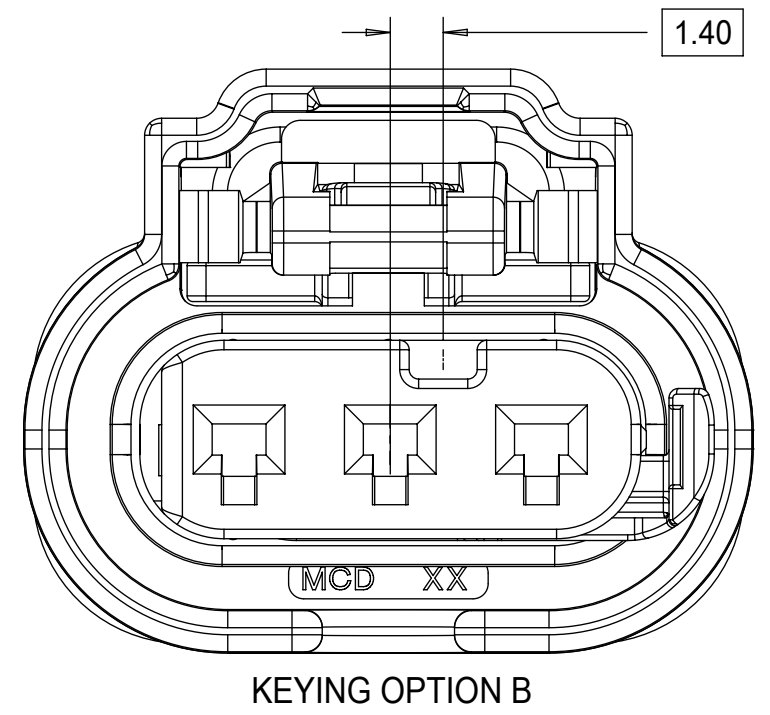
KEYING OPTION E

QUALITY SYMBOLS ▽ = 0 ▽ = 0 ▽ = 0 ▽ = 0 ▽ = 0 ▽ = 0 ▽ = 0 ▽ = 0 ▽ = 0		THIS DRAWING CONTAINS INFORMATION THAT IS PROPRIETARY TO MOLEX ELECTRONIC TECHNOLOGIES, LLC AND SHOULD NOT BE USED WITHOUT WRITTEN PERMISSION		GENERAL TOLERANCES (UNLESS SPECIFIED) ANGULAR TOL ± 3.0 ° 4 PLACES ± 3 PLACES ± 2 PLACES ± 0.1 1 PLACE ± 0.2 0 PLACES ± 0.5 DRAFT WHERE APPLICABLE MUST REMAIN WITHIN DIMENSIONS		DIMENSION UNITS mm		SCALE 5:1		DRWN BY MVANSLAMBROU		DATE 2012/02/15		CHKD BY DATE 2013/11/06		APPR BY GGA		DATE 2012/12/13		DRAWING SIZE D		THIRD ANGLE PROJECTION		SERIES 34900		MATERIAL NUMBER SEE BOM		CUSTOMER GENERAL MARKET	
EC NO: 627959 DRWN: GELLIOTTO1 CHKD: KBORUSZEWSKI REV APPR: KBORUSZEWSKI		2019/11/22 2019/12/02 2019/12/02		DIMENSION UNITS mm		SCALE 5:1		DRWN BY MVANSLAMBROU		DATE 2012/02/15		CHKD BY DATE 2013/11/06		APPR BY GGA		DATE 2012/12/13		DRAWING SIZE D		THIRD ANGLE PROJECTION		SERIES 34900		MATERIAL NUMBER SEE BOM		CUSTOMER GENERAL MARKET			
RELEASE STATUS P1		RELEASE DATE 2019/12/02		03:23:21		DOCUMENT NUMBER SD-34900-2001		DOC TYPE PSD		DOC PART 001		SHEET NUMBER 2 OF 7		EC NO: 627959		DRWN: GELLIOTTO1		CHKD: KBORUSZEWSKI		REV APPR: KBORUSZEWSKI		2019/11/22		2019/12/02		2019/12/02			

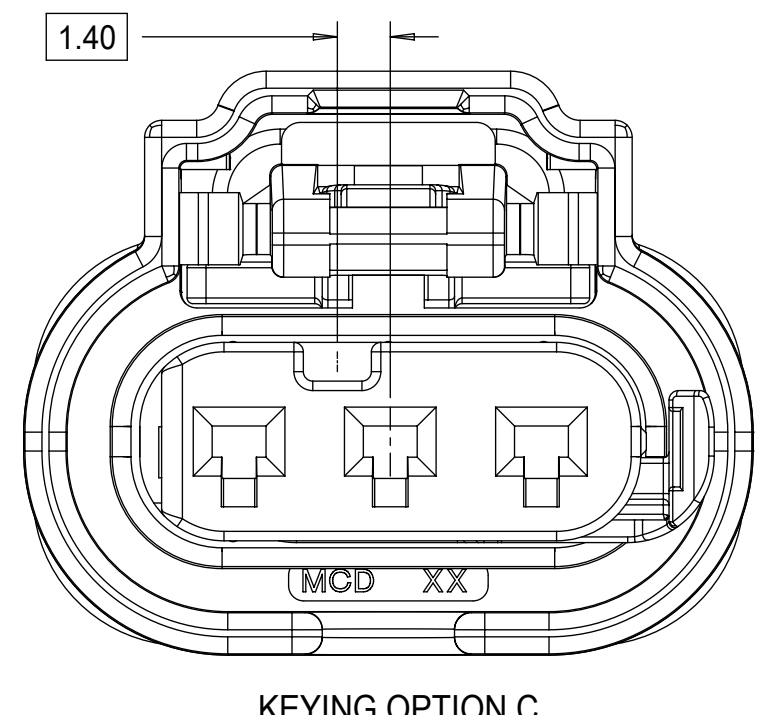
1x3 RECEPTACLE SEALED ASSEMBLY KEYING CONFIGURATIONS. FOR PART NUMBERS REFER TO BOM SHEET.



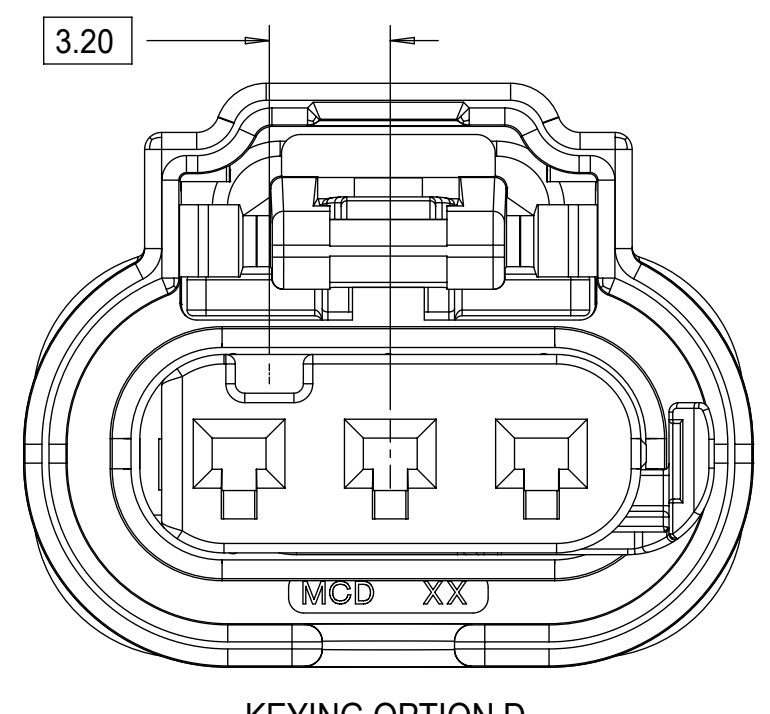
KEYING OPTION A



KEYING OPTION B

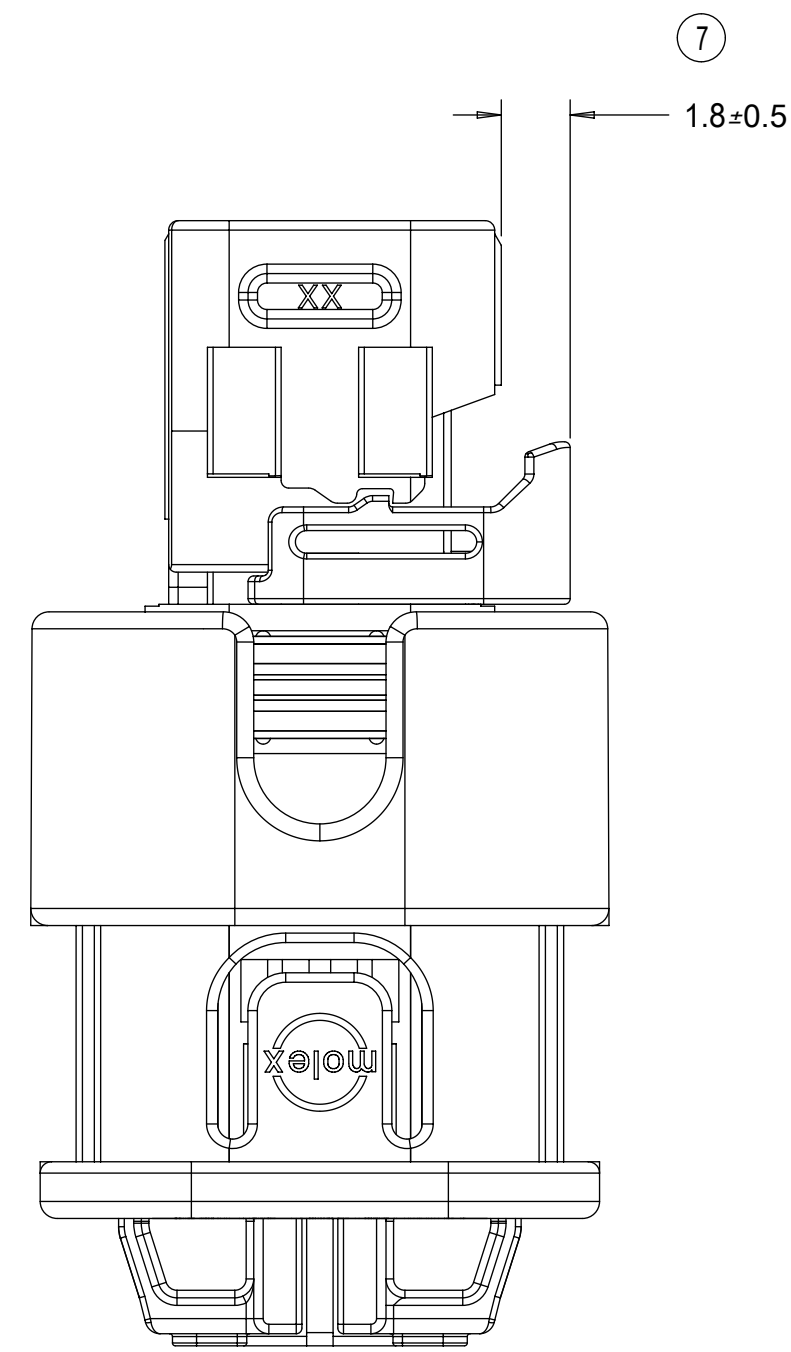
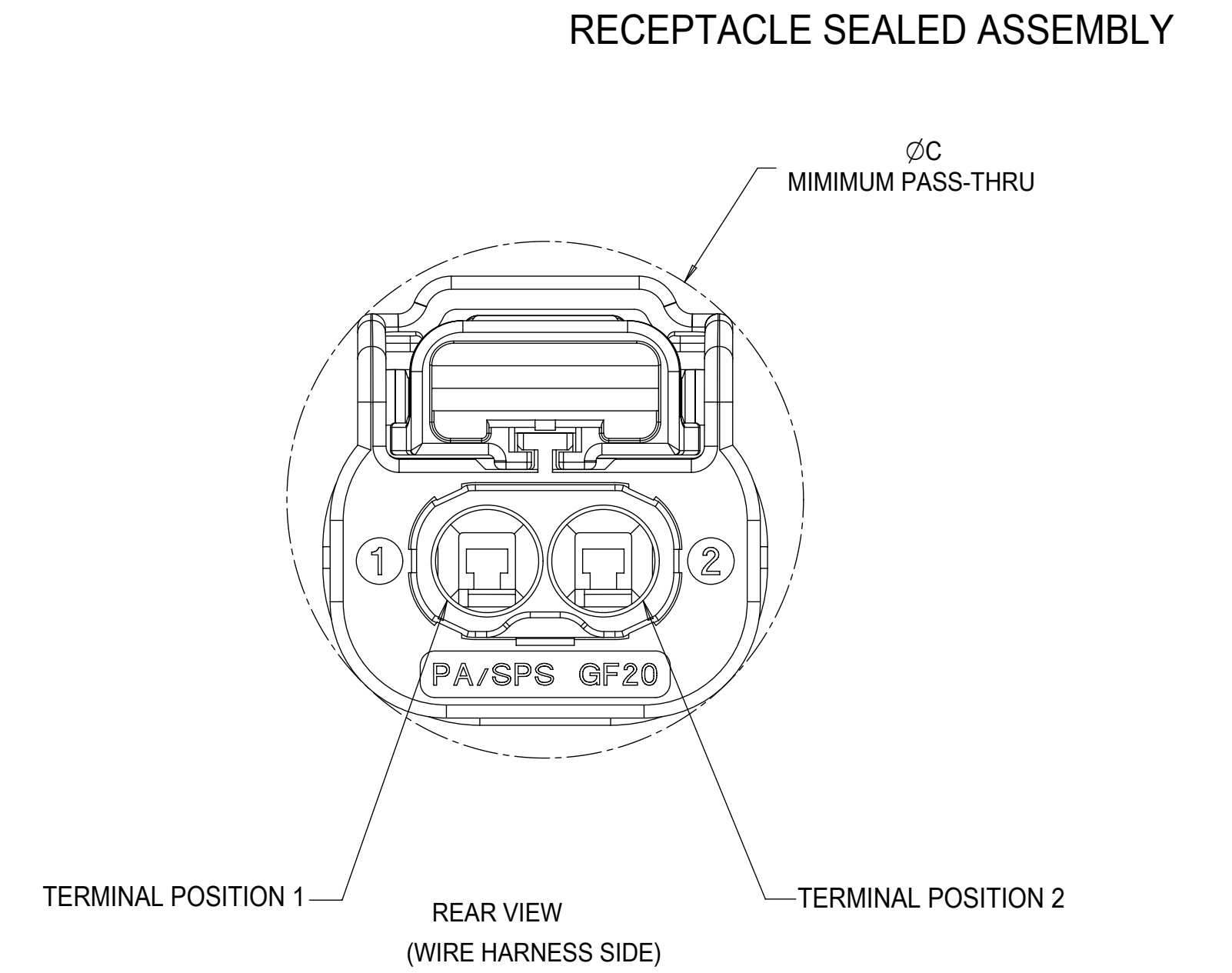
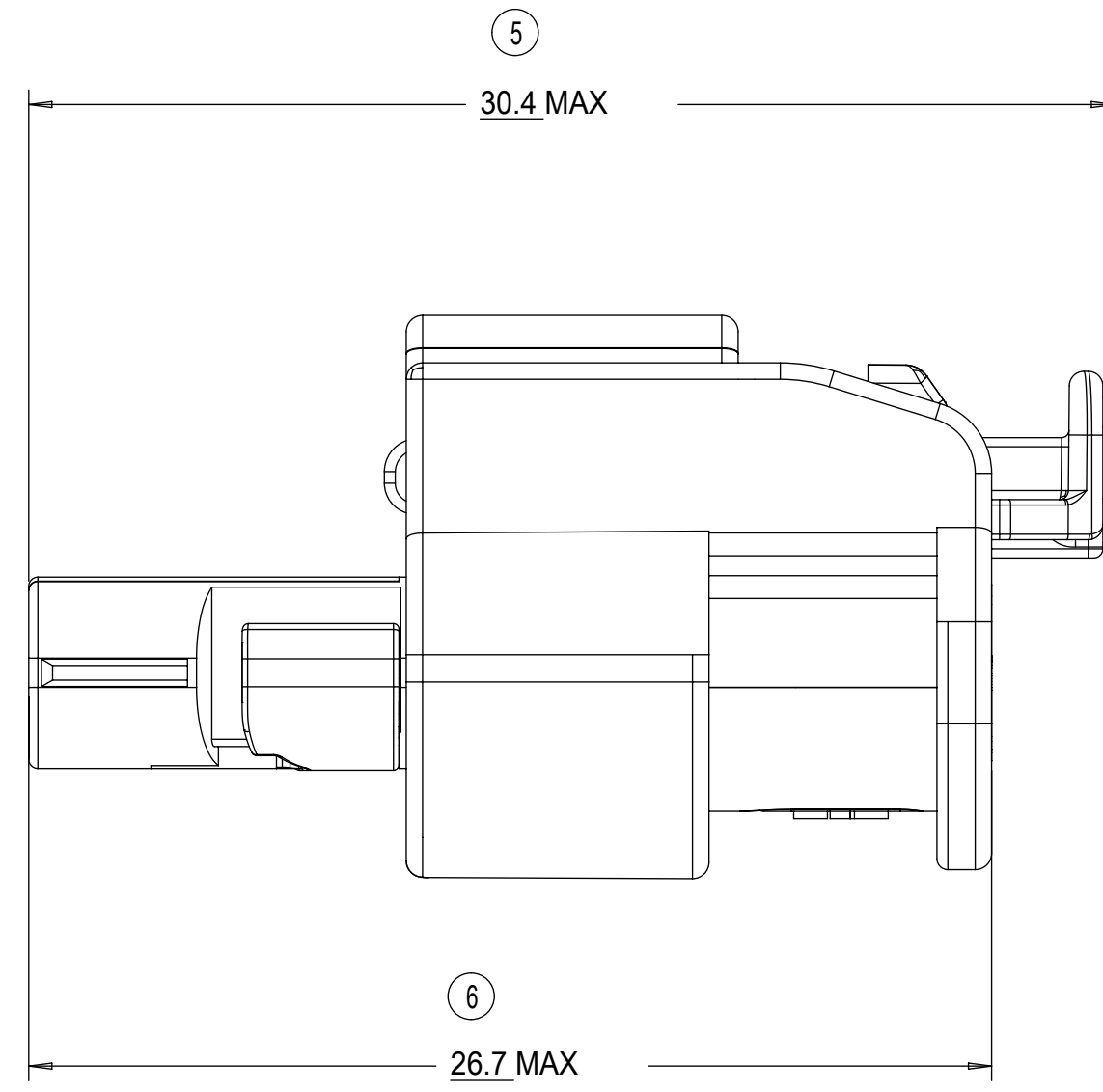
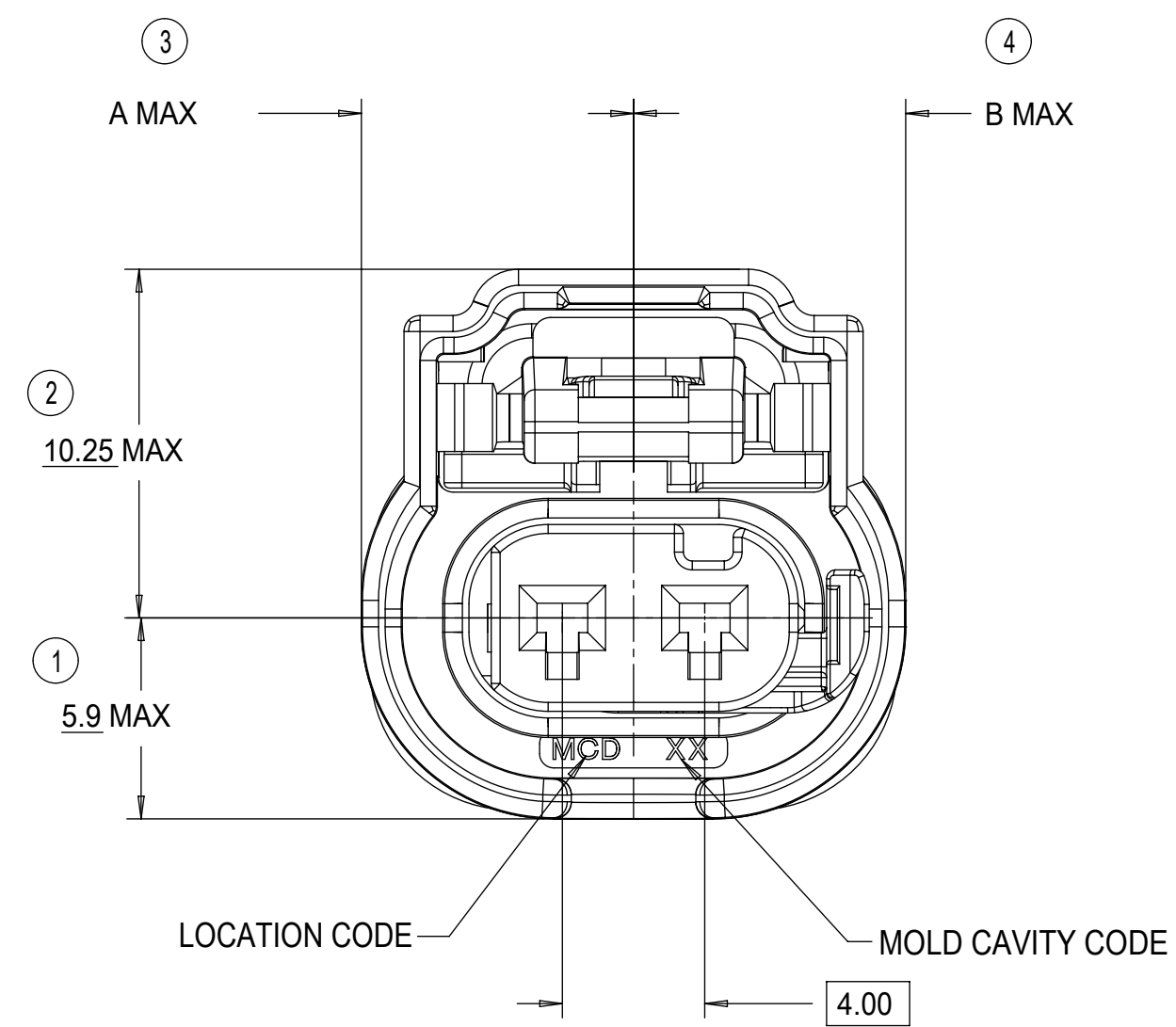
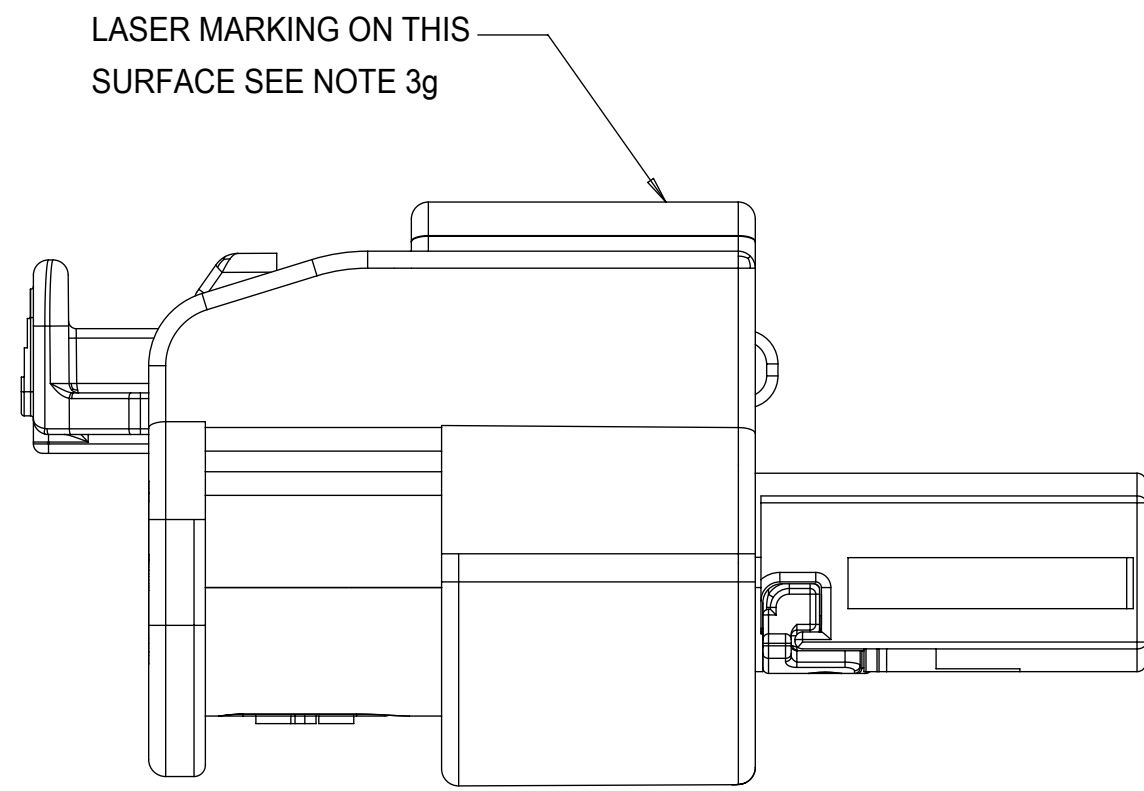


KEYING OPTION C

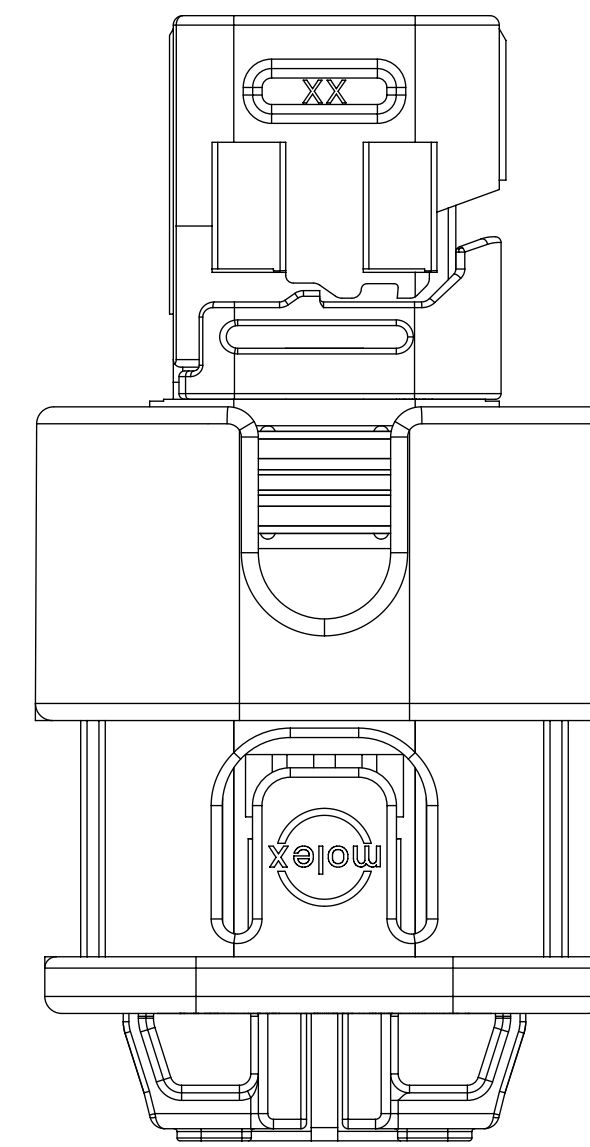


KEYING OPTION D

THIS DRAWING CONTAINS INFORMATION THAT IS PROPRIETARY TO MOLEX ELECTRONIC TECHNOLOGIES, LLC AND SHOULD NOT BE USED WITHOUT WRITTEN PERMISSION																		
QUALITY SYMBOLS 	2019/11/22	2019/12/02	2019/12/02	GENERAL TOLERANCES (UNLESS SPECIFIED)		DIMENSION UNITS	SCALE	 1.2MM 1X2, 1X3 RECPT. SEALED ASSEMBLY CABLE SEAL 621905: ADDED CPA2 PNS, RE-ADDED PNS USING TERMINAL H										
	DRWN: GELLIOTTO1	CHKD: KBORUSZEWSKI	APPR: KBORUSZEWSKI	ANGULAR TOL ± 3.0 °	mm	5:1												
	EC NO: 627969 DRWN: GELLIOTTO1 CHKD: KBORUSZEWSKI APPR: KBORUSZEWSKI	C6	4 PLACES ±	3 PLACES ±	2 PLACES ± 0.1	1 PLACE ± 0.2	0 PLACES ± 0.5	DRWN BY	DATE	CHKD BY	DATE	APPR BY	DATE	SERIES	MATERIAL NUMBER	CUSTOMER		
			MVANSLAMBROU	2012/02/15		2013/11/06	GGA	2012/12/13	34900	SEE BOM	GENERAL MARKET							
			DRAFT WHERE APPLICABLE MUST REMAIN WITHIN DIMENSIONS		DRAWING SIZE	THIRD ANGLE PROJECTION	PRODUCT CUSTOMER DRAWING											
			D		DOCUMENT NUMBER													
					SD-34900-2001		DOC TYPE	DOC PART	SHEET NUMBER									
					PSD 001		3 OF 7											
RELEASE STATUS	P1	RELEASE DATE	2019/12/02	03:23:21														



INDEPENDENT SECONDARY LOCK (ISL)
SHOWN IN THE PRE-STAGED POSITION



INDEPENDENT SECONDARY LOCK (ISL)
SHOWN IN THE FINAL-LOCK POSITION

1x3 RECEPTACLE SEALED ASSEMBLY	10.0	10.0	20.75
1x2 RECEPTACLE SEALED ASSEMBLY	8.0	8.0	18.75
CONFIGURATION	A	B	C

CHARTED DIMENSIONS

QUALITY SYMBOLS 	THIS DRAWING CONTAINS INFORMATION THAT IS PROPRIETARY TO MOLEX ELECTRONIC TECHNOLOGIES, LLC AND SHOULD NOT BE USED WITHOUT WRITTEN PERMISSION			
	EC NO: 627959 DRWN: GELLIOTTO1 CHKD: KBORUSZEWSKI REV APPR: KBORUSZEWSKI	2019/11/22 2019/12/02 2019/12/02	GENERAL TOLERANCES (UNLESS SPECIFIED) ANGULAR TOL ± 3.0 ° 4 PLACES ± 3 PLACES ± 2 PLACES ± 0.1 1 PLACE ± 0.2 0 PLACES ± 0.5 DRAFT WHERE APPLICABLE MUST REMAIN WITHIN DIMENSIONS	DIMENSION UNITS: mm SCALE: 5:1 DRWN BY: MVANSLAMBROU DATE: 2012/02/15 CHKD BY: [blank] DATE: 2013/11/06 APPR BY: GGA DATE: 2012/12/13
C6	SERIES: 34900 MATERIAL NUMBER: SEE BOM CUSTOMER: GENERAL MARKET	DOCUMENT NUMBER: SD-34900-2001 DOC TYPE: PSD DOC PART: 001	SHEET NUMBER: 4 OF 7	

1X2 RECEPTACLE SEALED ASSEMBLY BOM SHEET 1

ASSEMBLY DESCRIPTION	PART NUMBER	OPERATING TEMPERATURE	VIBRATION CLASS PER GMW3191 DEC. 2007	OUTER HOUSING SHROUD LENGTH	A	B	C	E	CPA1	CPA3	STATUS	COMMENTS	DESIGNED TO MATE WITH DEVICE CONNECTION
KEYING OPTION E, BLACK	34900-2223	-40 TO 155		4					E	CPA3	TOOLED BUT NOT VALIDATED		1 2 3
KEYING OPTION C, BLACK	34900-2222	-40 TO 155		4					C	CPA3	TOOLED BUT NOT VALIDATED		1 2 3
KEYING OPTION B, BLACK	34900-2221	-40 TO 155		4			B			CPA3	TOOLED BUT NOT VALIDATED		1 2 3
KEYING OPTION A, BLACK	34900-2220	-40 TO 155		4			A			CPA3	TOOLED BUT NOT VALIDATED		1 2 3
KEYING OPTION E, YELLOW	34900-2204	-40 TO 125		2					E	CPA3	TOOLED BUT NOT VALIDATED		1 2 3
KEYING OPTION C, YELLOW	34900-2203	-40 TO 125		2					C	CPA3	TOOLED BUT NOT VALIDATED		1 2 3
KEYING OPTION B, YELLOW	34900-2202	-40 TO 125		2			B			CPA3	TOOLED BUT NOT VALIDATED		1 2 3
KEYING OPTION A, YELLOW	34900-2201	-40 TO 125		2			A			CPA3	TOOLED BUT NOT VALIDATED		1 2 3
KEYING OPTION E, BLACK	34900-2123	-40 TO 155		4					E	CPA1	NOT RECOMMENDED	ALT. KEY SUGGESTED	1 2 3
KEYING OPTION C, BLACK	34900-2122	-40 TO 155		4					C	CPA1	SALEABLE		1 2 3
KEYING OPTION B, BLACK	34900-2121	-40 TO 155		4			B			CPA1	SALEABLE		1 2 3
KEYING OPTION A, BLACK	34900-2120	-40 TO 155		4			A			CPA1	SALEABLE		1 2 3
KEYING OPTION E, YELLOW	34900-2104	-40 TO 125		2					E	CPA1	NOT RECOMMENDED	ALT. KEY SUGGESTED	1 2 3
KEYING OPTION C, YELLOW	34900-2103	-40 TO 125		2					C	CPA1	SALEABLE		1 2 3
KEYING OPTION B, YELLOW	34900-2102	-40 TO 125		2			B			CPA1	SALEABLE		1 2 3
KEYING OPTION A, YELLOW	34900-2101	-40 TO 125		2			A			CPA1	SALEABLE		1 2 3
KEYING OPTION B, YELLOW	34900-2002	-40 TO 125		2		CHY			B	CPA1	SALEABLE		1 2 3
KEYING OPTION A, YELLOW	34900-2001	-40 TO 125		2		CHY			A	CPA1	SALEABLE		1 2 3

DESCRIPTION	COLOR	MATERIAL	COMMENTS
RING SEAL	BURNT RED	INHERENTLY LUBRICATED SILICONE	
ISL	NATURAL	SPS/NYLON GF20	
CPA3	RED	PBT GF30	
CPA1	RED	PBT GF30	
TERMINAL HOUSING KEYING OPTION E	STONE GRAY	SPS/NYLON GF20	ALT. KEY SUGGESTED
TERMINAL HOUSING KEYING OPTION C	DARK GRAY	SPS/NYLON GF20	
TERMINAL HOUSING KEYING OPTION B	LT. GRAY	SPS/NYLON GF20	
TERMINAL HOUSING KEYING OPTION A	BLACK	SPS/NYLON GF20	
CONNECTOR HOUSING	BLACK	SPS/NYLON GF20	UPDATED LATCH
CONNECTOR HOUSING	YELLOW	SPS/NYLON GF20	UPDATED LATCH
CONNECTOR HOUSING	BLACK	SPS/NYLON GF20	
CONNECTOR HOUSING	YELLOW	SPS/NYLON GF20	
WIRE DRESS COVER STRAIGHT	BLACK	PA66	SOLD SEPARATELY SEE SD-160091-0001
WIRE DRESS COVER RIGHT	BLACK	PA66	
WIRE DRESS COVER LEFT	BLACK	PA66	
DESCRIPTION	COLOR	MATERIAL	COMMENTS

BOM / APPLICABLE COMPONENTS TABLE

ABREVIATION	COMPONENT
CHY	CONNECTOR HOUSING YELLOW
CHB	CONNECTOR HOUSING BLACK
A	TERMINAL HOUSING KEY A
B	TERMINAL HOUSING KEY B
C	TERMINAL HOUSING KEY C
E	TERMINAL HOUSING KEY E
CPA1	CPA VERSION 1
CPA3	CPA VERSION 3
ISL	ISL
R	RING SEAL
1	USCAR INTERFACE 120-S-003-1-Z01 SEE NOTE 1f FOR WEBSITE
2	MOLEX INLINE BLADE CONNECTOR E-34899-2001
3	USCAR INTERFACE 120-S-003-1-Z02 SEE NOTE 1f FOR WEBSITE

THIS DRAWING CONTAINS INFORMATION THAT IS PROPRIETARY TO MOLEX ELECTRONIC TECHNOLOGIES, LLC AND SHOULD NOT BE USED WITHOUT WRITTEN PERMISSION

QUALITY SYMBOLS	THIS DRAWING CONTAINS INFORMATION THAT IS PROPRIETARY TO MOLEX ELECTRONIC TECHNOLOGIES, LLC AND SHOULD NOT BE USED WITHOUT WRITTEN PERMISSION EC NO: 627959 DRWN: GELIOTTO1 CHKD: KBORUSZEWSKI REV APPR: KBORUSZEWSKI 2019/11/22 2019/12/02 2019/12/02	GENERAL TOLERANCES (UNLESS SPECIFIED) ANGULAR TOL ± 3.0 ° 4 PLACES ± 3 PLACES ± 2 PLACES ± 0.1 1 PLACE ± 0.2 0 PLACES ± 0.5 DRAFT WHERE APPLICABLE MUST REMAIN WITHIN DIMENSIONS	DIMENSION UNITS: mm SCALE: 2:1 DRWN BY: MVANSLAMBROU DATE: 2012/02/15 CHKD BY: GGA DATE: 2013/11/06 APPR BY: GGA DATE: 2012/12/13	DIMENSION UNITS: mm SCALE: 2:1 DRWN BY: MVANSLAMBROU DATE: 2012/02/15 CHKD BY: GGA DATE: 2013/11/06 APPR BY: GGA DATE: 2012/12/13	DIMENSION UNITS: mm SCALE: 2:1 DRWN BY: MVANSLAMBROU DATE: 2012/02/15 CHKD BY: GGA DATE: 2013/11/06 APPR BY: GGA DATE: 2012/12/13
RELEASE STATUS: P1 RELEASE DATE: 2019/12/02 03:23:21	PRODUCT CUSTOMER DRAWING SERIES: 34900 MATERIAL NUMBER: 9999999999 CUSTOMER: GENERAL MARKET		DIMENSION UNITS: mm SCALE: 2:1 DRWN BY: MVANSLAMBROU DATE: 2012/02/15 CHKD BY: GGA DATE: 2013/11/06 APPR BY: GGA DATE: 2012/12/13		
DOCUMENT NUMBER: SD-34900-2001 DOC TYPE: PSD DOC PART: 001 SHEET NUMBER: 5 OF 7					

KEYING OPTION D, STONE GRAY	34900-3223	-40 TO 125	2	SHORT	CHB				D			CPA3	TOOLED BUT NOT VALIDATED	1	2	3
KEYING OPTION C, DARK GRAY	34900-3222	-40 TO 125	2	SHORT	CHB				C			CPA3	TOOLED BUT NOT VALIDATED	1	2	3
KEYING OPTION B, LIGHT GRAY	34900-3221	-40 TO 125	2	SHORT	CHB		B					CPA3	TOOLED BUT NOT VALIDATED	1	2	3
KEYING OPTION A, BLACK	34900-3220	-40 TO 125	2	SHORT	CHB	A						CPA3	TOOLED BUT NOT VALIDATED	1	2	3
KEYING OPTION D, YELLOW	34900-3204	-40 TO 125	2	SHORT	CHY				D			CPA3	TOOLED BUT NOT VALIDATED	1	2	3
KEYING OPTION C, YELLOW	34900-3203	-40 TO 125	2	SHORT	CHY				C			CPA3	TOOLED BUT NOT VALIDATED	1	2	3
KEYING OPTION B, YELLOW	34900-3202	-40 TO 125	2	SHORT	CHY		B					CPA3	TOOLED BUT NOT VALIDATED	1	2	3
KEYING OPTION A, YELLOW	34900-3201	-40 TO 125	2	SHORT	CHY	A						CPA3	TOOLED BUT NOT VALIDATED	1	2	3
KEYING OPTION D, STONE GRAY	34900-3127	-40 TO 125	CONTACT MOLEX FOR INFO	SHORT	CHB					D	CPA1	SALEABLE	RESTRICTED	1	2	3
KEYING OPTION A, BLACK	34900-3124	-40 TO 125	CONTACT MOLEX FOR INFO	SHORT	CHB					A	CPA1	SALEABLE	RESTRICTED	1	2	3
KEYING OPTION D, STONE GRAY	34900-3123	-40 TO 125	2	SHORT	CHB				D		CPA1	TOOLED BUT NOT VALIDATED		1	2	3
KEYING OPTION C, DARK GRAY	34900-3122	-40 TO 125	2	SHORT	CHB				C		CPA1	TOOLED BUT NOT VALIDATED		1	2	3
KEYING OPTION B, LIGHT GRAY	34900-3121	-40 TO 125	2	SHORT	CHB		B				CPA1	SALEABLE		1	2	3
KEYING OPTION A, BLACK	34900-3120	-40 TO 125	2	SHORT	CHB	A					CPA1	SALEABLE		1	2	3
KEYING OPTION D, YELLOW	34900-3104	-40 TO 125	2	SHORT	CHY				D		CPA1	TOOLED BUT NOT VALIDATED		1	2	3
KEYING OPTION C, YELLOW	34900-3103	-40 TO 125	2	SHORT	CHY				C		CPA1	TOOLED BUT NOT VALIDATED		1	2	3
KEYING OPTION B, YELLOW	34900-3102	-40 TO 125	2	SHORT	CHY		B				CPA1	SALEABLE		1	2	3
KEYING OPTION A, YELLOW	34900-3101	-40 TO 125	2	SHORT	CHY	A					CPA1	SALEABLE		1	2	3
ASSEMBLY DESCRIPTION	PART NUMBER	OPERATING TEMPERATURE	VIBRATION CLASS PER GMW3191 DEC. 2007	OUTER HOUSING SHROUD LENGTH		A	B	C	D	A	D	CPA1	CPA3	STATUS	COMMENTS	DESIGNED TO MATE WITH DEVICE CONNECTION

1X3 RECEPTACLE SEALED ASSEMBLY BOM SHEET 1

RING SEAL	LIGHT BLUE	INHERENTLY LUBRICATED SILICONE	
ISL	NATURAL	SPS/NYLON GF20	
CPA3	RED	PBT GF30	
CPA1	RED	PBT GF30	
TERMINAL HOUSING KEYING OPTION D, Alt.	STONE GRAY	SPS/NYLON GF20	RESTRICTED
TERMINAL HOUSING KEYING OPTION A, Alt.	BLACK	SPS/NYLON GF20	RESTRICTED
TERMINAL HOUSING KEYING OPTION D	STONE GRAY	SPS/NYLON GF20	
TERMINAL HOUSING KEYING OPTION C	DARK GRAY	SPS/NYLON GF20	
TERMINAL HOUSING KEYING OPTION B	LT. GRAY	SPS/NYLON GF20	
TERMINAL HOUSING KEYING OPTION A	BLACK	SPS/NYLON GF20	
CONNECTOR HOUSING	BLACK	SPS/NYLON GF20	UPDATED LATCH
CONNECTOR HOUSING	YELLOW	SPS/NYLON GF20	UPDATED LATCH
CONNECTOR HOUSING	BLACK	SPS/NYLON GF20	
CONNECTOR HOUSING	YELLOW	SPS/NYLON GF20	
WIRE DRESS COVER STRAIGHT	BLACK	PA66	SOLD SEPARATELY SEE SD-160091-0001
WIRE DRESS COVER RIGHT	BLACK	PA66	
WIRE DRESS COVER LEFT	BLACK	PA66	
DESCRIPTION	COLOR	MATERIAL	COMMENTS

BOM / APPLICABLE COMPONENTS TABLE

ABREVIATION	COMPONENT
CHY	CONNECTOR HOUSING YELLOW
CHB	CONNECTOR HOUSING BLACK
A	TERMINAL HOUSING KEY A
B	TERMINAL HOUSING KEY B
C	TERMINAL HOUSING KEY C
D	TERMINAL HOUSING KEY D
CPA1	CPA VERSION 1
CPA3	CPA VERSION 3
ISL	ISL
R	RING SEAL
1	USCAR INTERFACE 120-S-002-1-Z01 SEE NOTE 1f FOR WEBSITE
2	MOLEX INLINE BLADE CONNECTOR E-34899-2001
3	USCAR INTERFACE 120-S-002-1-Z02 SEE NOTE 1f FOR WEBSITE

QUALITY SYMBOLS	THIS DRAWING CONTAINS INFORMATION THAT IS PROPRIETARY TO MOLEX ELECTRONIC TECHNOLOGIES, LLC AND SHOULD NOT BE USED WITHOUT WRITTEN PERMISSION	
	DRWN: GELIOTT01 2019/11/22	CHKD: KBORUSZEWSKI 2019/12/02
	REV: APPR: KBORUSZEWSKI 2019/12/02	EC NO: 627959
	GENERAL TOLERANCES (UNLESS SPECIFIED)	DIMENSION UNITS: mm
	ANGULAR TOL ± 3.0 °	SCALE: 5:1
	4 PLACES ±	DRWN BY: MVANSLAMBROU
	3 PLACES ±	DATE: 2012/02/15
	2 PLACES ± 0.1	CHKD BY: GGA
	1 PLACE ± 0.2	DATE: 2013/11/06
	0 PLACES ± 0.5	APPR BY: GGA
	DRAFT WHERE APPLICABLE MUST REMAIN WITHIN DIMENSIONS	DATE: 2012/12/13
		DRAWING SIZE: D
		THIRD ANGLE PROJECTION
		SERIES: 34900
		MATERIAL NUMBER: 9999999999
		CUSTOMER: GENERAL MARKET
		DOCUMENT NUMBER: SD-34900-2001
		DOC TYPE: PSD
		DOC PART: 001
		SHEET NUMBER: 6 OF 7

OBSOLETE PART NUMBERS

34900-2023	OBSOLETE
34900-2022	OBSOLETE
34900-2021	OBSOLETE
34900-2020	OBSOLETE
34900-2004	OBSOLETE
34900-2003	OBSOLETE
ASSEMBLY PART NUMBERS	STATUS

1X2

34900-3023	OBSOLETE
34900-3022	OBSOLETE
34900-3021	OBSOLETE
34900-3020	OBSOLETE
34900-3004	OBSOLETE
34900-3003	OBSOLETE
34900-3002	OBSOLETE
34900-3001	OBSOLETE
ASSEMBLY PART NUMBERS	STATUS

1X3

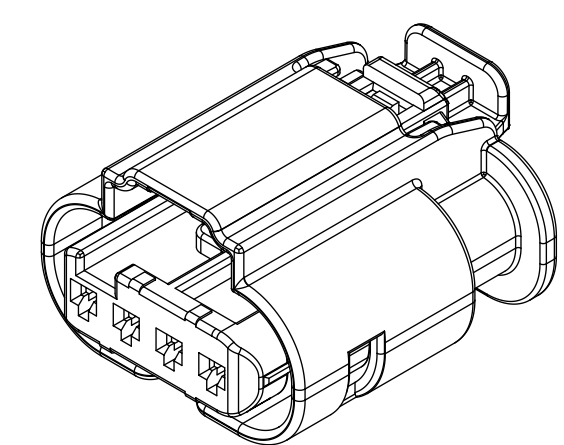
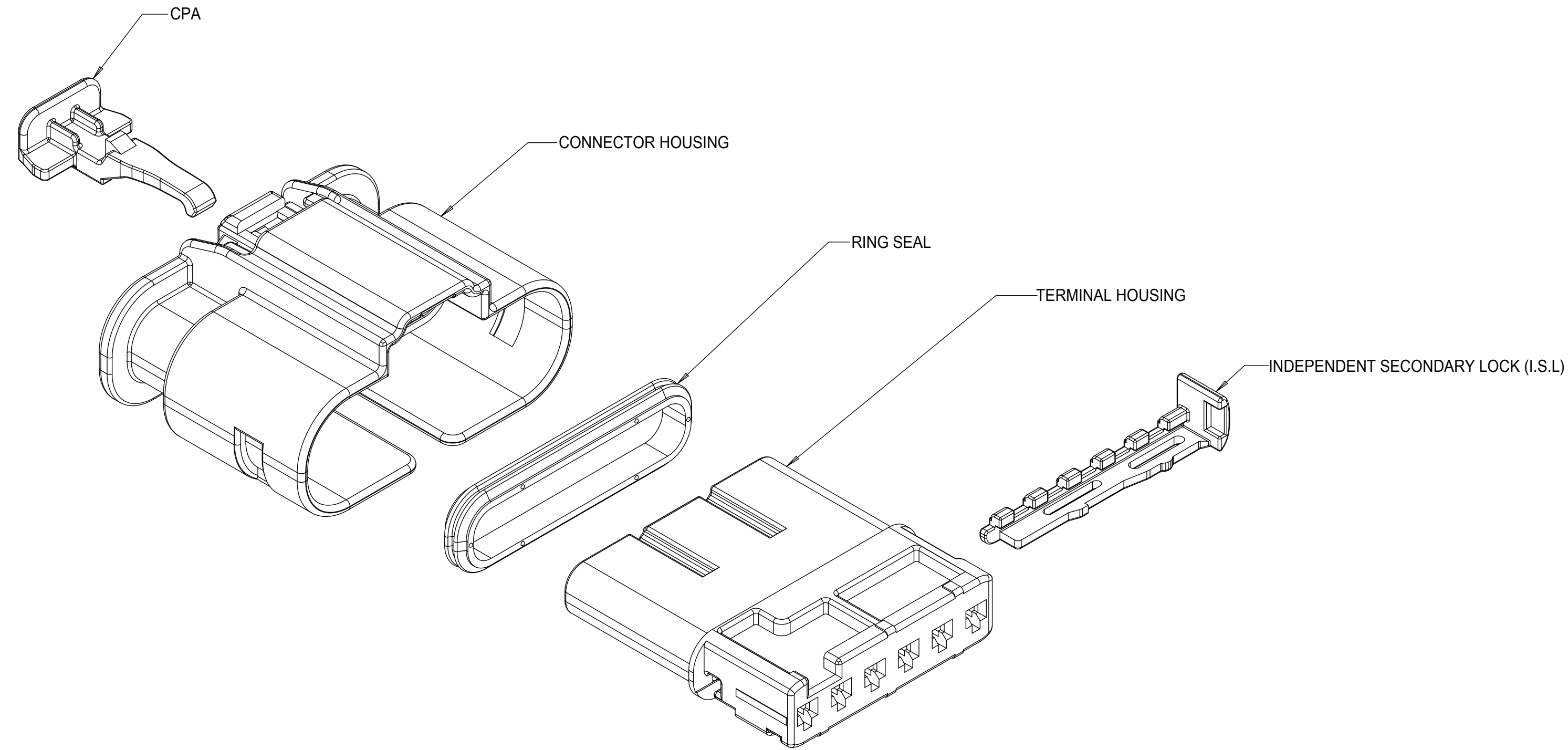
THIS DRAWING CONTAINS INFORMATION THAT IS PROPRIETARY TO MOLEX ELECTRONIC TECHNOLOGIES, LLC AND SHOULD NOT BE USED WITHOUT WRITTEN PERMISSION									
DIMENSION UNITS	SCALE	Material:		molex			1.2MM 1X2, 1X3 RECPT. SEALED ASSEMBLY CABLE SEAL 621905: ADDED CPA2 PNS, RE-ADDED PNS USING TERMINAL H		
mm	1:1	Heat treat:							
GENERAL TOLERANCES (UNLESS SPECIFIED)		Finish:		PRODUCT CUSTOMER DRAWING					
ANGULAR TOL ± 3.0 °		CURRENT REV DESC:							
4 PLACES	±	EC NO: 627959		DOCUMENT NUMBER: SD-34900-2001 DOC TYPE: PSD DOC PART: 001 REVISION: C6					
3 PLACES	±	DRWN: GELLIOTT01 2019/11/22							
2 PLACES	± 0.1	CHK'D: KBORUSZEWSKI 2019/12/02		MATERIAL NUMBER: GENERAL MARKET SHEET NUMBER: 7 OF 7					
1 PLACE	± 0.2	APPR: KBORUSZEWSKI 2019/12/02							
0 PLACES	± 0.5	ORIG DRWN BY: MVANSLAMBROU 2012/02/15							
TOOL NUMBER	THIRD ANGLE PROJECTION	DRAWING	SERIES	MATERIAL NUMBER			CUSTOMER		
		D-SIZE	34900				GENERAL MARKET		

TABLE OF CONTENTS

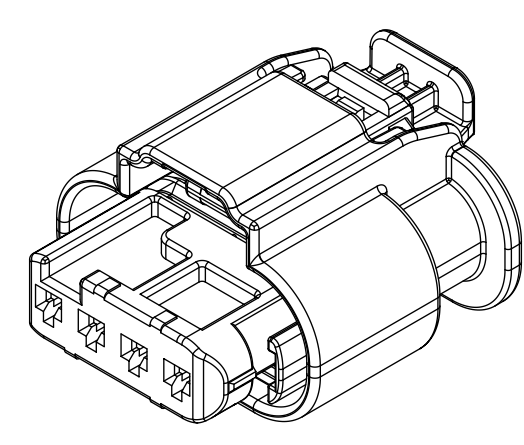
SHEET NO.	SHEET DESCRIPTION
1	NOTES
2	1x4 RECEPTACLE SEALED ASSEMBLY KEYING CONFIGURATIONS
3	1x6 RECEPTACLE SEALED ASSEMBLY KEYING CONFIGURATIONS
4	RECEPTACLE SEALED ASSEMBLY
5	1x4 RECEPTACLE SEALED ASSEMBLY BOM SHEET
6	1x6 RECEPTACLE SEALED ASSEMBLY BOM SHEET

NOTES: VALID UNLESS OTHERWISE SPECIFIED

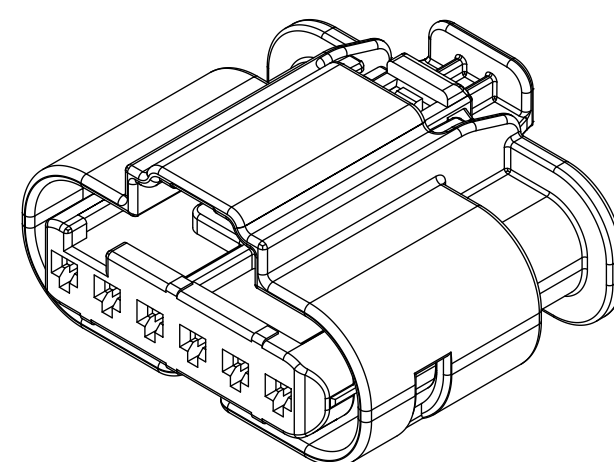
1. GENERAL:
 - a. APPLICATION SPECIFICATION SEE: AS-34900-0001
CONTAINS: PRODUCT INTRODUCTION, PRODUCT SUMMARY, CONNECTOR ASSEMBLY, PACKAGING INFORMATION, CONNECTOR MATING, SERVICE INSTRUCTIONS, ELECTRICAL CONTINUITY CHECKING, CRIMPING, AND TROUBLESHOOTING.
 - b. PRODUCT SPECIFICATION SEE: PS-34900-0001
CONTAINS: PRODUCT INTRODUCTION, PRODUCT SUMMARY, APPROVED TERMINALS, SINGLE WIRE SEALS, RATINGS (CURRENT, TEMPERATURE, SEALING, AND FLAMMABILITY), AND PRODUCT VALIDATION.
 - c. PACKAGING SPECIFICATION PER MOLEX DRAWING: PK-31301-898
 - d. PARTS MUST BE IN COMPLIANCE TO MOLEX CHEMICAL SUBSTANCES FOR PRODUCTS AND PACKAGING SPECIFICATION: ES-40000-5016
 - e. DATA MUST BE SUBMITTED UNDER THE MOLEX PART NUMBER TO IMDS (COMPANY ID#13255)
 - f. DESIGNED TO MATE WITH DEVICE CONNECTION AS SPECIFIED IN BOM CHART USCAR INTERFACE DRAWINGS AND MODELS ARE AVAILABLE AT <http://ewcap.uscarteams.org/>.
2. DESIGN - MATERIALS:
 - a. SEE BOM TABLE
3. DESIGN - GEOMETRY:
 - a. THIS IS A 100% CAD GENERATED PART. THE CAD MATHEMATICAL DATA IS THE MASTER FOR THIS PART. FOR DIMENSIONAL OR ANY INFORMATION NOT SHOWN ON THIS DRAWING, ANALYZE THE CAD MODEL.
 - b. GEOMETRIC DIMENSIONS AND TOLERANCES PER ASME Y14.5M - 1994
 - c. EDGES AND UNDIMENSIONED DETAILS PER ISO13715
 - d. CORNERS SHOWN AS SHARP TO BE R 0.2 MAX.
 - e. LETTERING SHALL BE 0.15 MAX RAISED IN 0.25 MAX RECESS PAD. THIS INCLUDES RECYCLING CODE, CAVITY ID, VENDOR IDENTIFICATION, AND CUSTOMER MATERIAL NUMBER.
 - f. VISUAL DEFECTS SHALL MEET COSMETIC STANDARD PS-45499-002 (Class B) CAD MODEL.
 - g. LASER MARKING:
 1. PART NUMBER
 2. DAY OF THE YEAR
 3. SHIFT
 4. YEAR



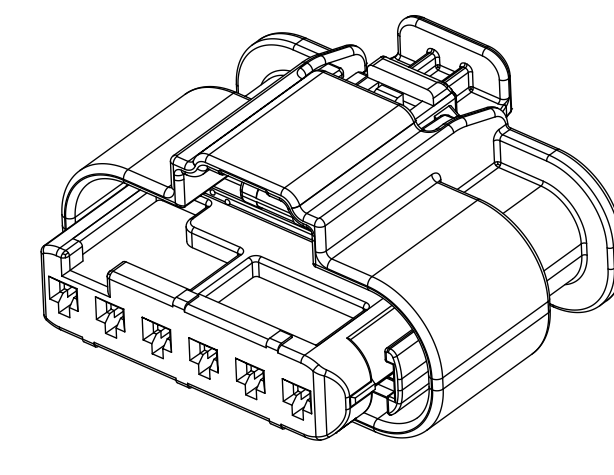
1x4 RECEPTACLE SEALED ASSEMBLY
LONG SHROUD



1x4 RECEPTACLE SEALED ASSEMBLY
MID LENGTH SHROUD



1x6 RECEPTACLE SEALED ASSEMBLY
LONG SHROUD

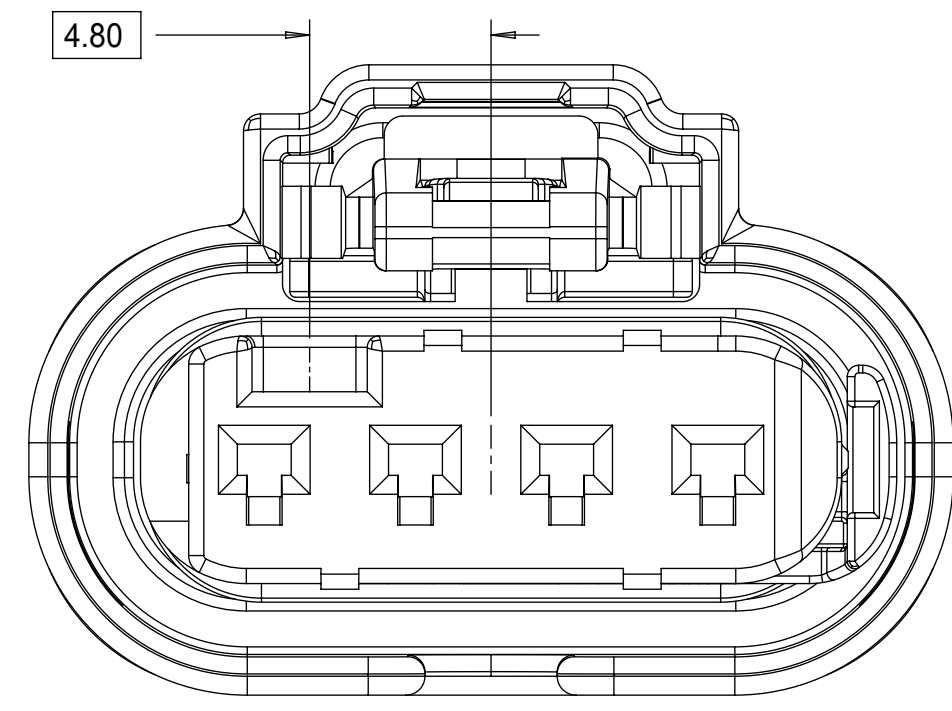


1x6 RECEPTACLE SEALED ASSEMBLY
MID LENGTH SHROUD

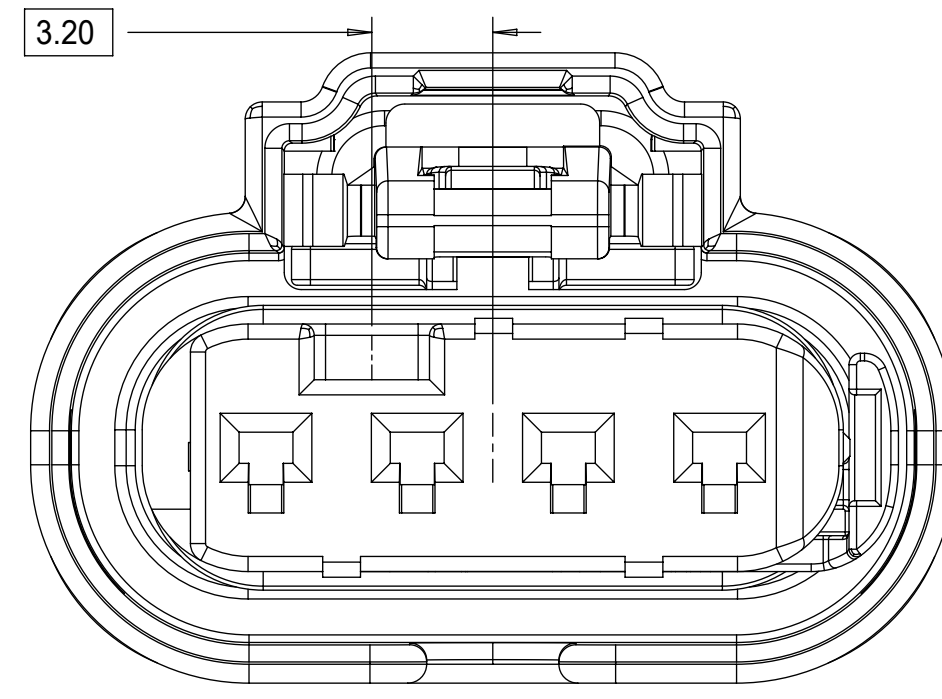
REV	DESCRIPTION
A15-A16	CHANGED CPA2 TO CPA3
A14	UPDATED STATUS, ADDED WIRE DRESS COVERS
A13	NX-REMASTER, ADDED CPA2 PART NUMBERS AND OBSOLETE PAGE
A12	RELEASE ALL KEYS SALEABLE
A11	RELEASE NON SIR SALEABLE
A10	PART #'S WITH NEW LATCH DESIGN SALEABLE
A9	PART #'S WITH NEW LATCH DESIGN SALEABLE
A8	ADDED NEW PART NUMBERS FOR LATCH IMPROVEMENT PARTS
A7	UPDATED 34900-6012 AND 34900-6012 TO SALEABLE
A6	UPDATED SHROUD LENGTH DIMENSION SCHEME
A5	BOM CORRECTIONS AND UPDATES
A4	BOM CORRECTIONS AND UPDATES
A3	NON SIR PART# OK TO TOOL
A2	BOM UPDATES FOR NON-SIR PART #
A1	1X6 MID LENGTH SHROUD OK TO TOOL
A	1X4 INLINE VIEWS ADDED
1	INITIAL RELEASE

QUALITY SYMBOLS		THIS DRAWING CONTAINS INFORMATION THAT IS PROPRIETARY TO MOLEX ELECTRONIC TECHNOLOGIES, LLC AND SHOULD NOT BE USED WITHOUT WRITTEN PERMISSION	
▽ = 0	2019/12/03	GENERAL TOLERANCES (UNLESS SPECIFIED)	DIMENSION UNITS
▽ = 0	2019/12/03	ANGULAR TOL ± 3.0 °	mm
▽ = 0	2019/12/03	4 PLACES ±	SCALE
▽ = 0	2019/12/03	3 PLACES ±	3:1
▽ = 0	2019/12/03	2 PLACES ± 0.1	DRWN BY
▽ = 0	2019/12/03	1 PLACE ± 0.2	MVANSLAMBROU
▽ = 0	2019/12/03	0 PLACES ± 0.5	DATE
▽ = 0	2019/12/03	DRAFT WHERE APPLICABLE MUST REMAIN WITHIN DIMENSIONS	2012/05/03
▽ = 0	2019/12/03		CHKD BY
▽ = 0	2019/12/03		DATE
▽ = 0	2019/12/03		APPR BY
▽ = 0	2019/12/03		GGA
▽ = 0	2019/12/03		DATE
▽ = 0	2019/12/03		2012/12/13
▽ = 0	2019/12/03		DRAWING SIZE
▽ = 0	2019/12/03		THIRD ANGLE PROJECTION
▽ = 0	2019/12/03		D
EC NO: 628401		SERIES	
DRWN: GELIOTTO1		34900	
CHKD: KBORUSZEWSKI		MATERIAL NUMBER	
REV APPR: KBORUSZEWSKI		SEE TABLE	
A16		CUSTOMER	
		GENERAL MARKET	
RELEASE STATUS		DOCUMENT NUMBER	
P1	RELEASE DATE	SD-34900-6001	
2019/12/03	18:50:25	DOC TYPE	
		PSD	
		DOC PART	
		001	
		SHEET NUMBER	
		1 OF 7	

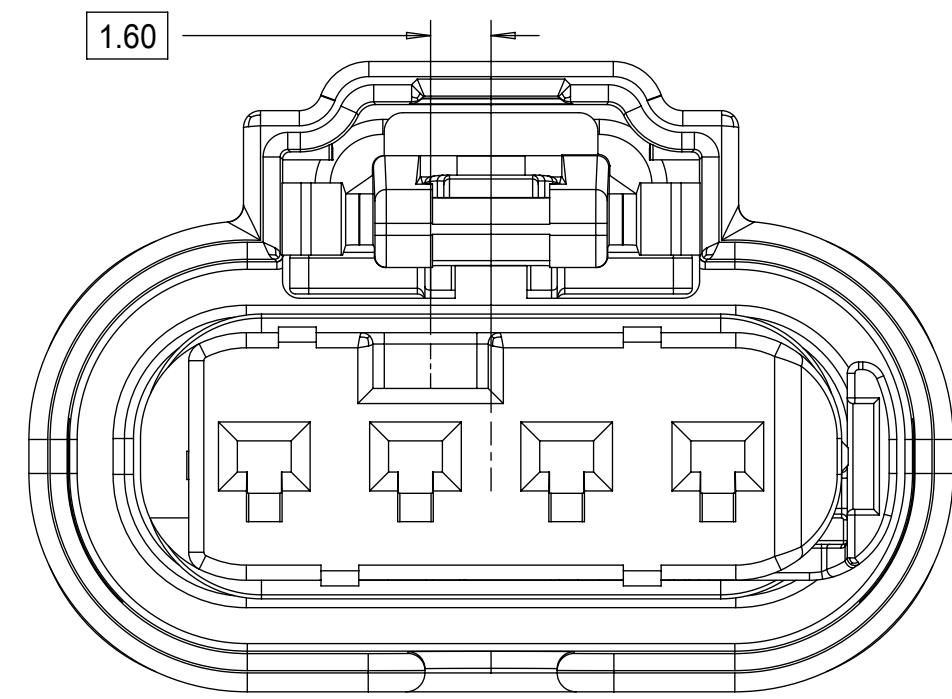
1x4 RECEPTACLE SEALED ASSEMBLY KEYING CONFIGURATIONS. FOR PART NUMBERS REFER TO BOM SHEET.



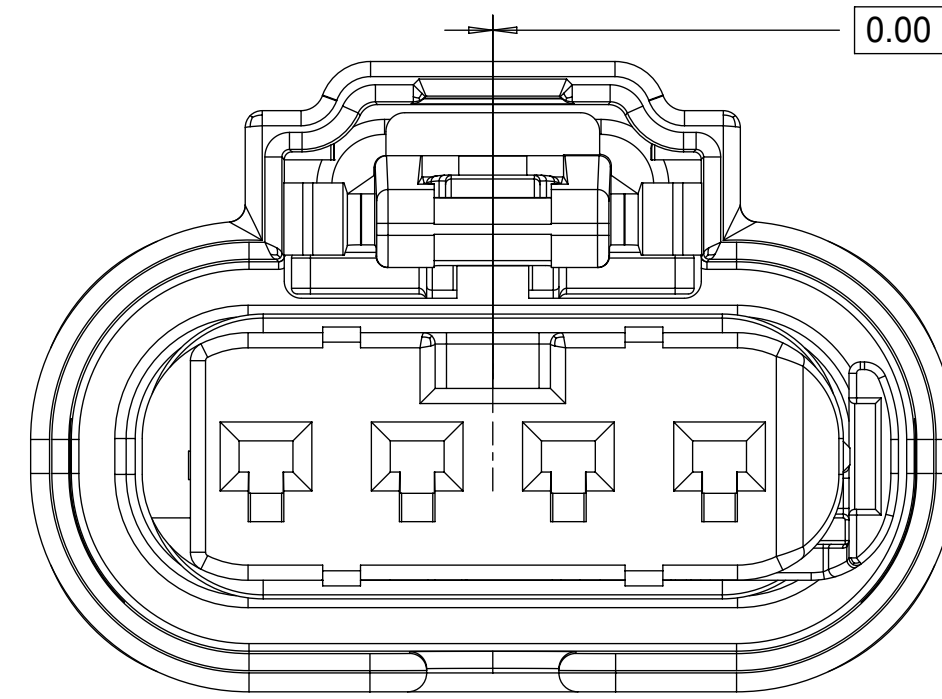
KEYING OPTION A



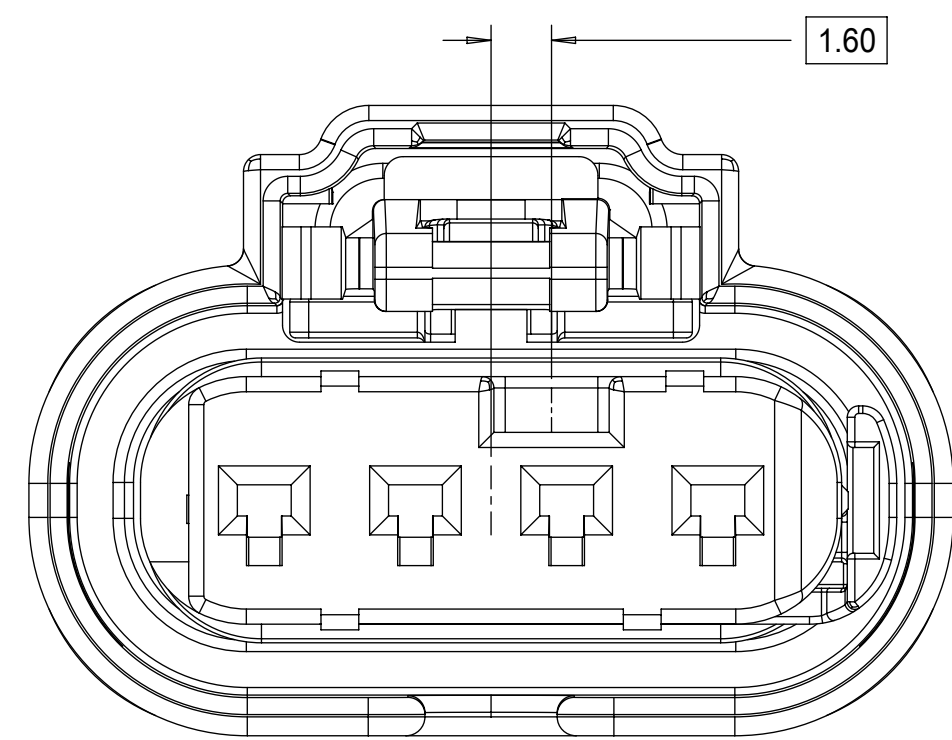
KEYING OPTION E



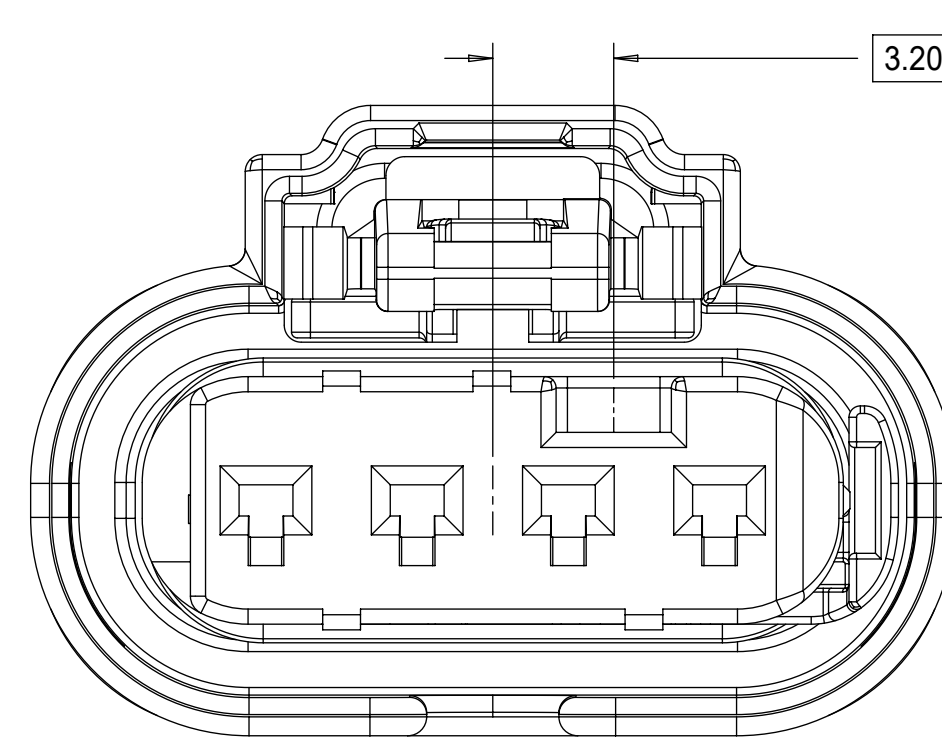
KEYING OPTION B



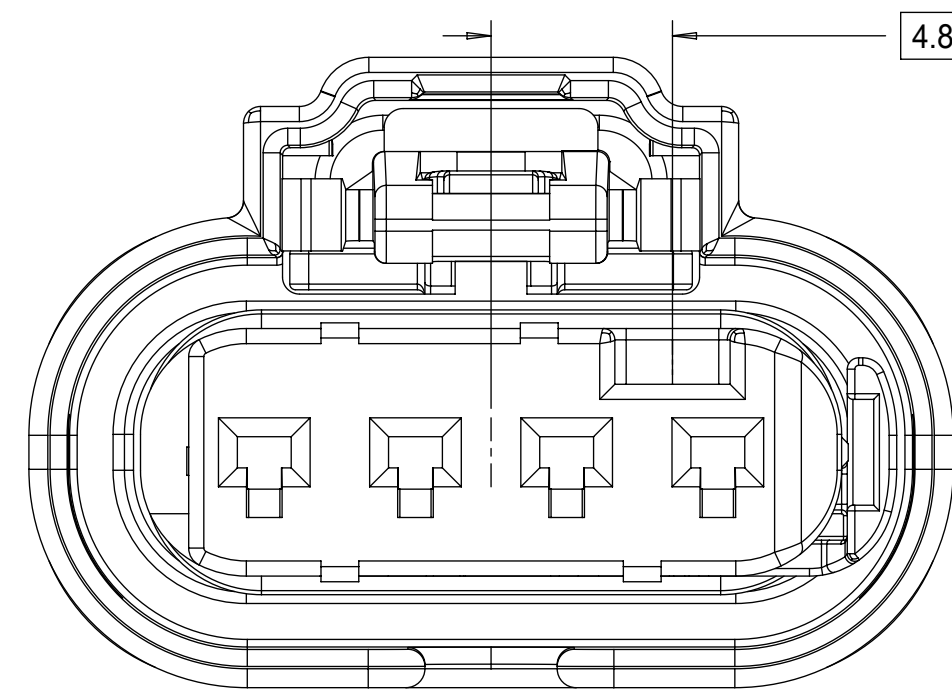
KEYING OPTION F



KEYING OPTION C



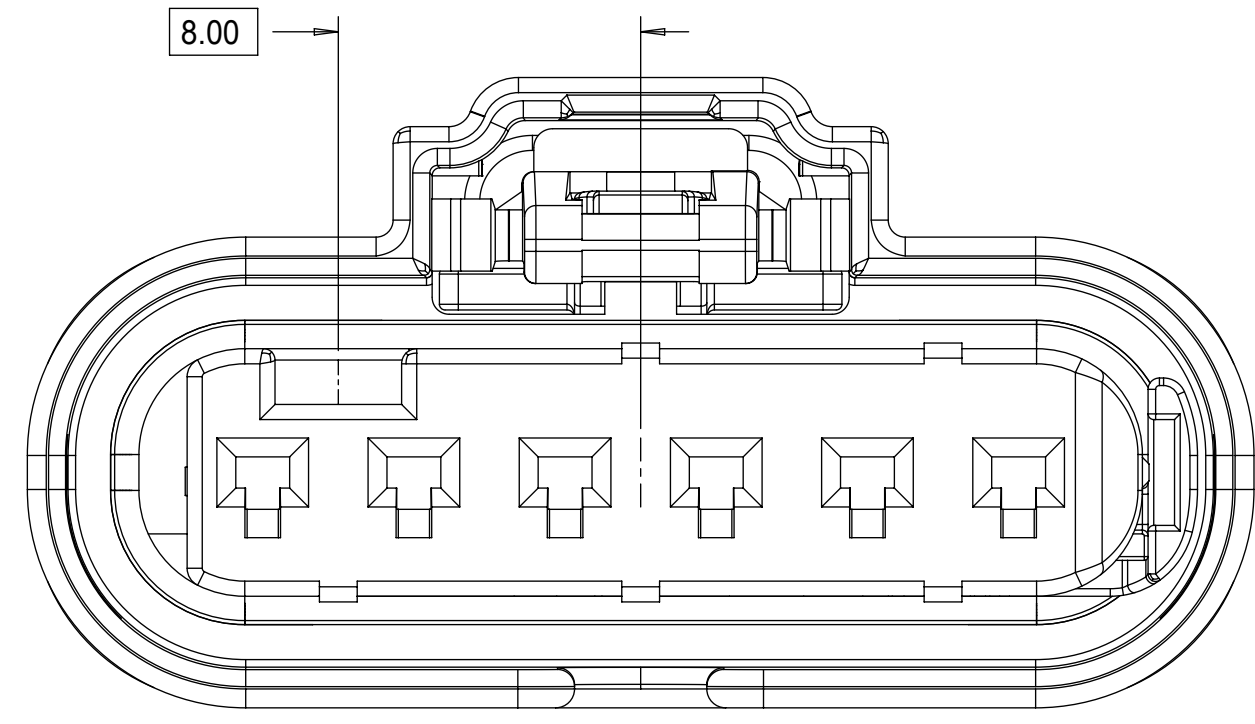
KEYING OPTION G



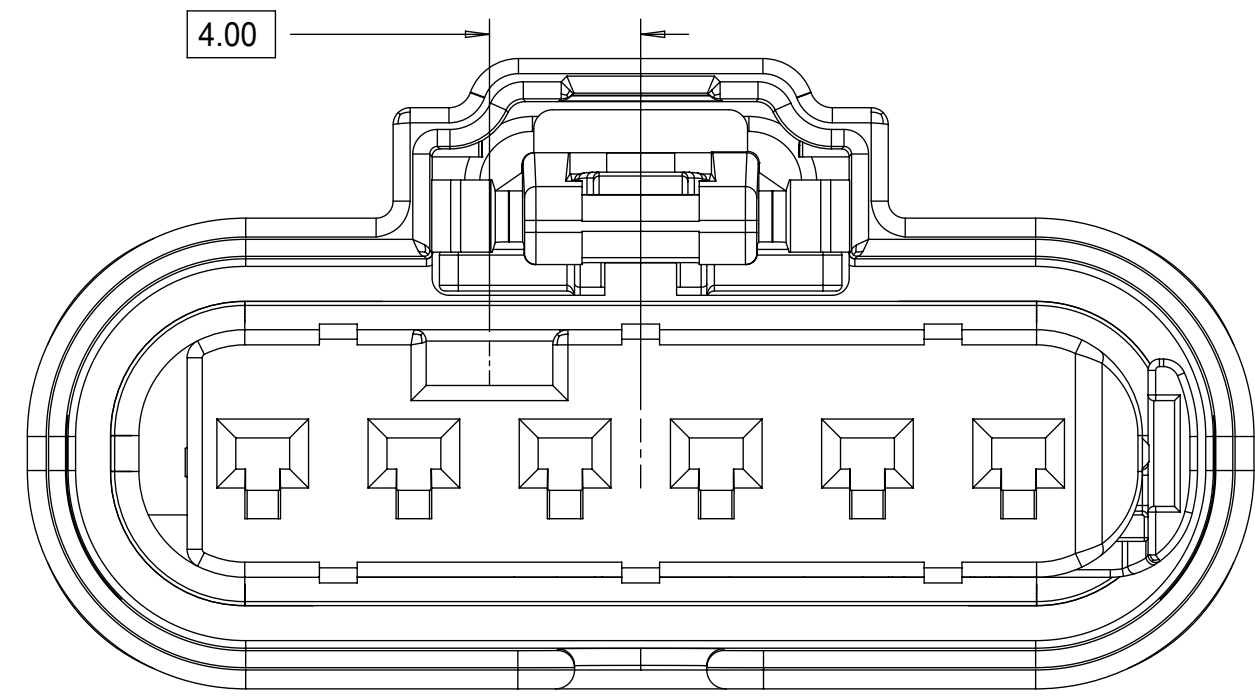
KEYING OPTION D

THIS DRAWING CONTAINS INFORMATION THAT IS PROPRIETARY TO MOLEX ELECTRONIC TECHNOLOGIES, LLC AND SHOULD NOT BE USED WITHOUT WRITTEN PERMISSION														
QUALITY SYMBOLS	EC NO: 628401 DRWN: GELIOTTO1 CHKD: KBORUSZEWSKI REV APPR: KBORUSZEWSKI	2019/12/02 2019/12/03 2019/12/03	GENERAL TOLERANCES (UNLESS SPECIFIED)		DIMENSION UNITS	SCALE								
			ANGULAR TOL ± 3.0 °		mm	5:1								
▽ = 0	4 PLACES ± 3 PLACES ± 2 PLACES ± 0.1 1 PLACE ± 0.2 0 PLACES ± 0.5 DRAFT WHERE APPLICABLE MUST REMAIN WITHIN DIMENSIONS	DRWN BY: MVANSLAMBROU CHKD BY: GGA APPR BY: GGA DATE: 2012/05/03 DATE: 2012/12/13	DRWN BY		DATE	1.2MM 1X4, 1X6 RECPT. SEALED ASSEMBLY CABLE SEAL 626759 - CHANGED CPA2 TO CPA2. ROLLING CHANGE AT GM.								
▽ = 0			4 PLACES ±		DATE									
▽ = 0			3 PLACES ±		CHKD BY		DATE							
▽ = 0			2 PLACES ± 0.1		APPR BY		DATE							
▽ = 0			1 PLACE ± 0.2		GGA		2012/12/13							
▽ = 0			0 PLACES ± 0.5		DRAWING SIZE		THIRD ANGLE PROJECTION							
▽ = 0	DRAFT WHERE APPLICABLE MUST REMAIN WITHIN DIMENSIONS		D			SERIES: 34900 MATERIAL NUMBER: SEE BOM CUSTOMER: GENERAL MARKET		PRODUCT CUSTOMER DRAWING						
RELEASE STATUS		P1	RELEASE DATE		2019/12/03 18:50:25	DOCUMENT NUMBER		SD-34900-6001	DOC TYPE	PSD	DOC PART	001	SHEET NUMBER	2 OF 7

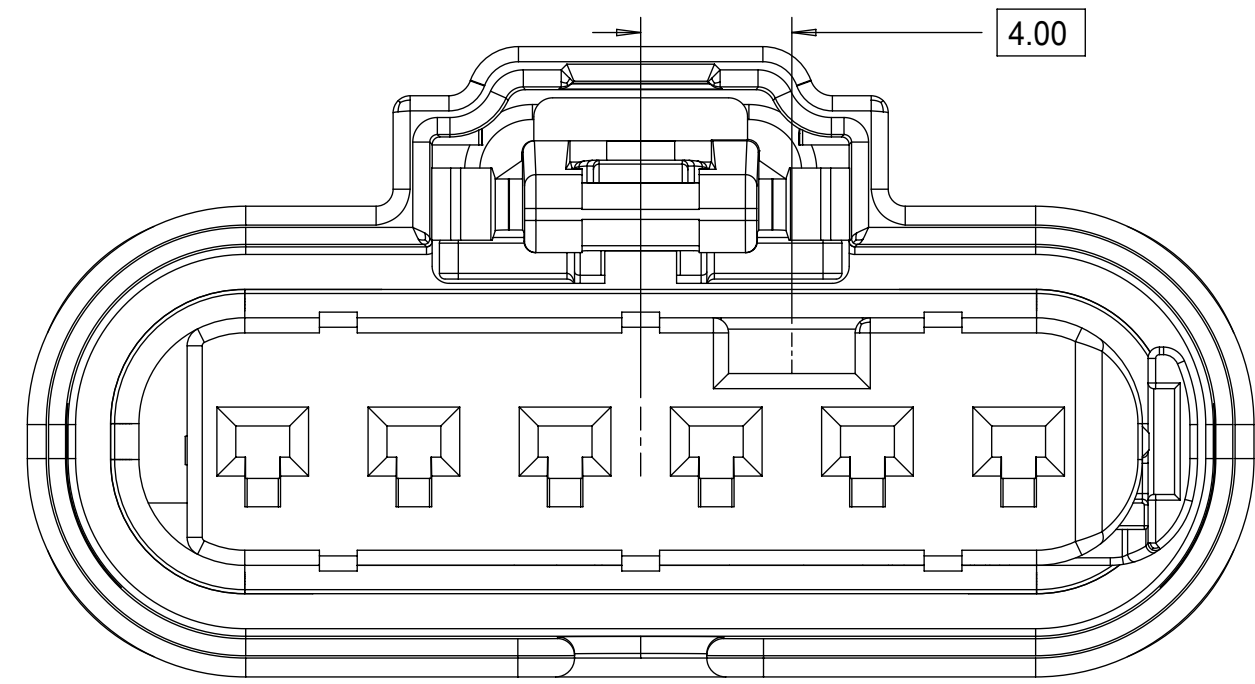
1x6 RECEPTACLE SEALED ASSEMBLY KEYING CONFIGURATIONS. FOR PART NUMBERS REFER TO BOM SHEET.



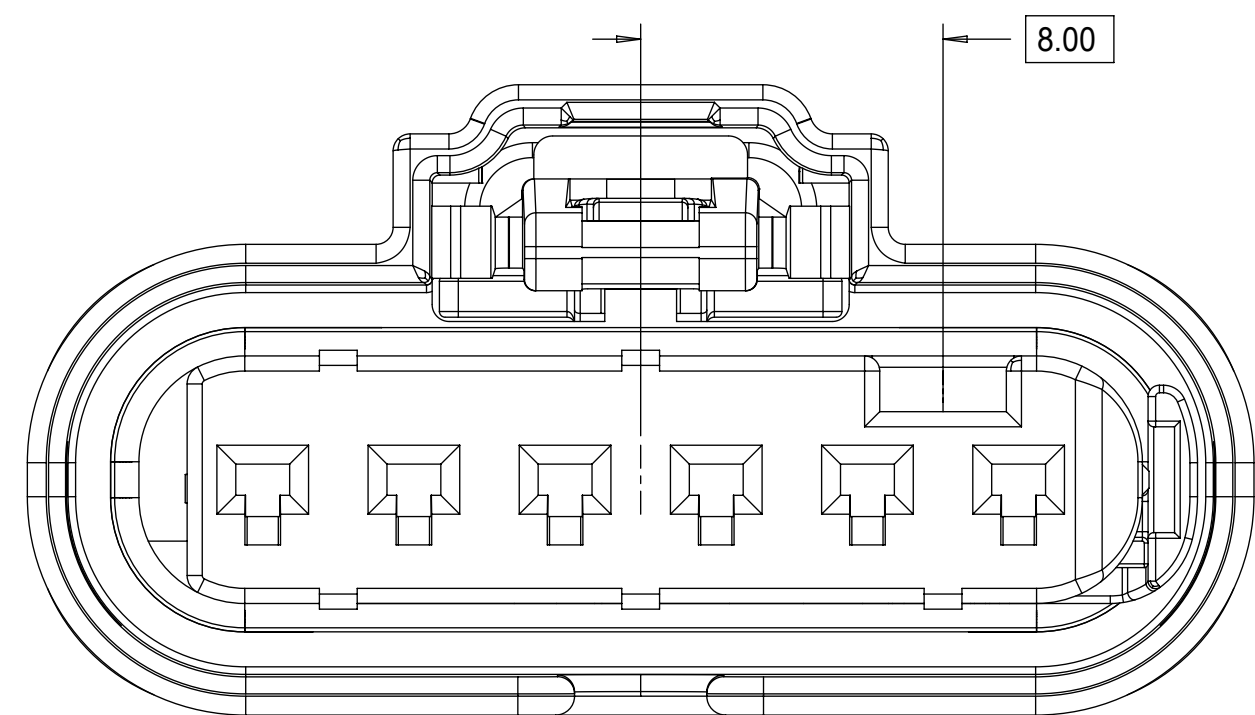
KEYING OPTION A



KEYING OPTION B



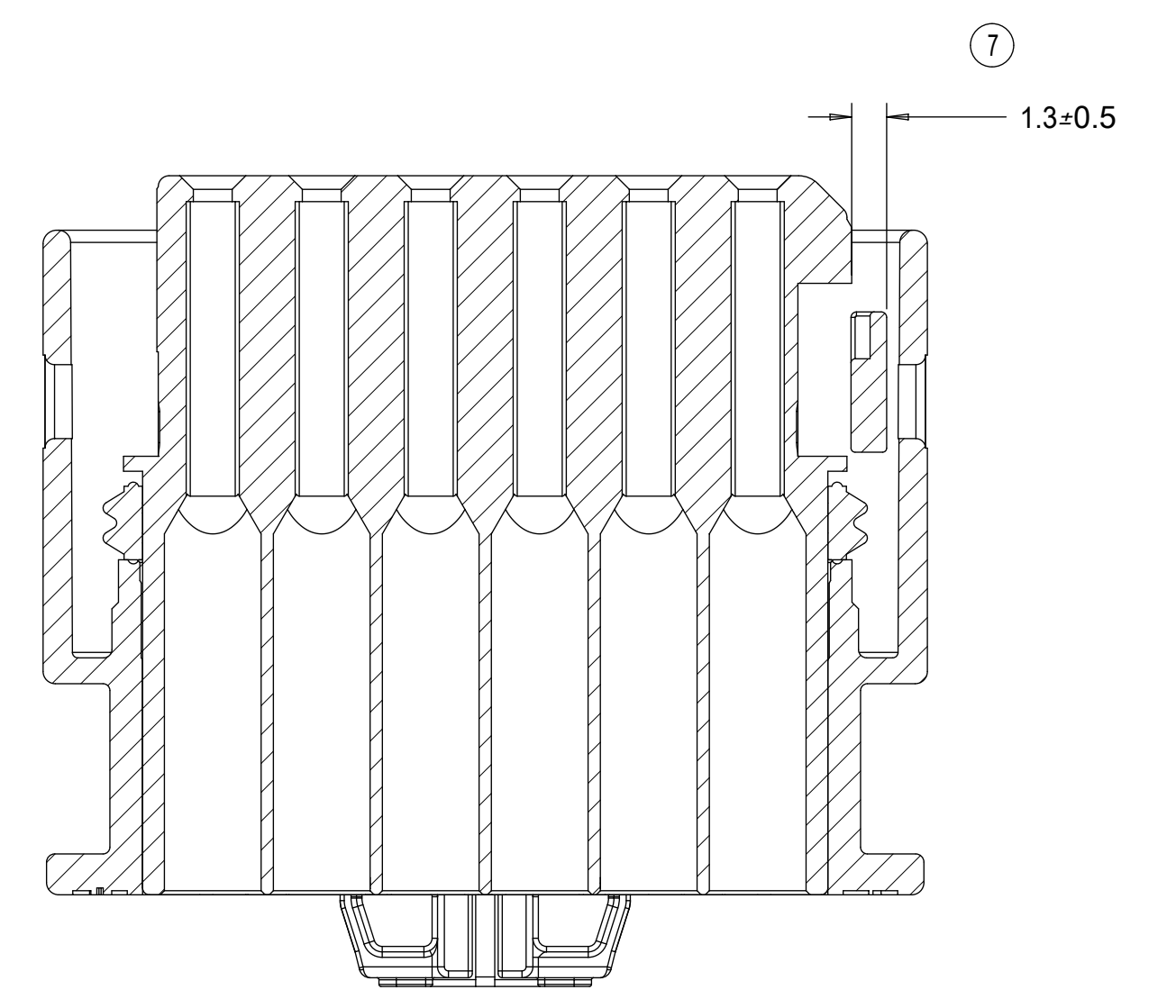
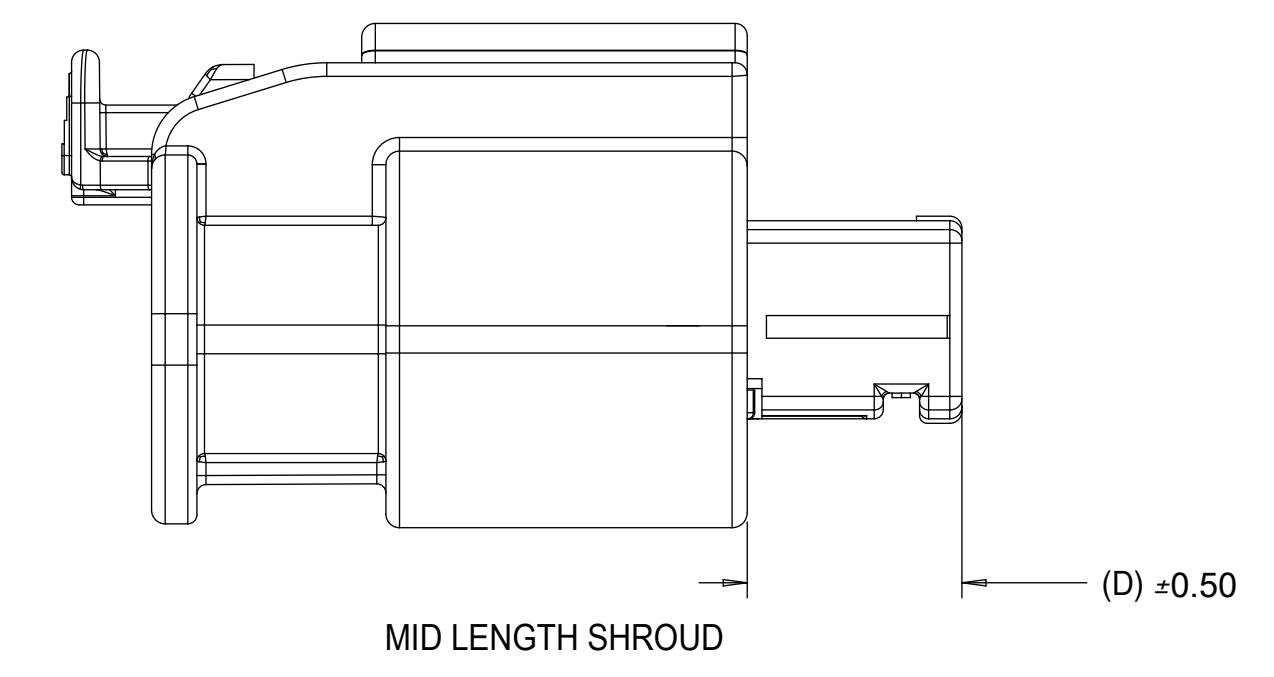
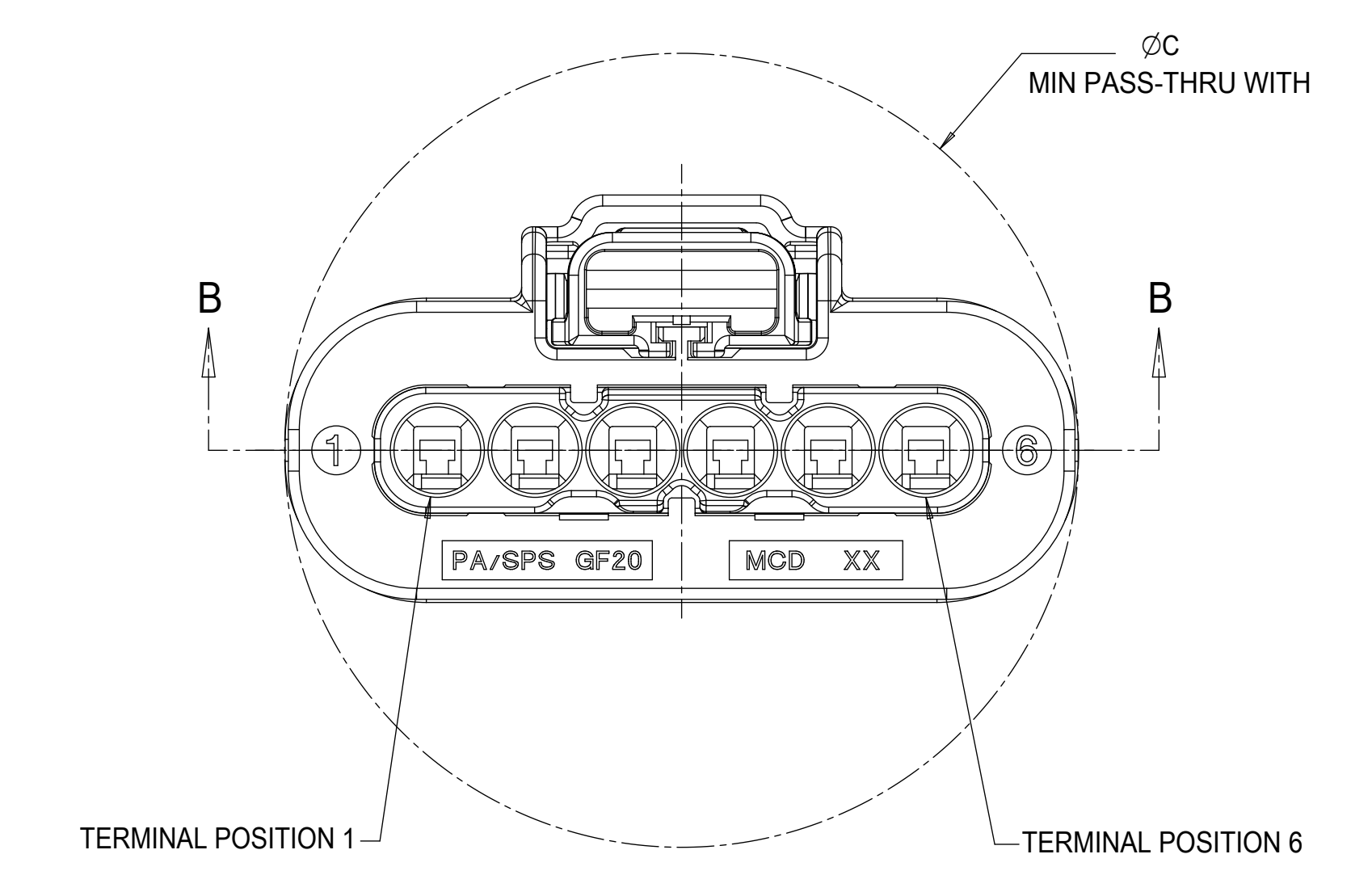
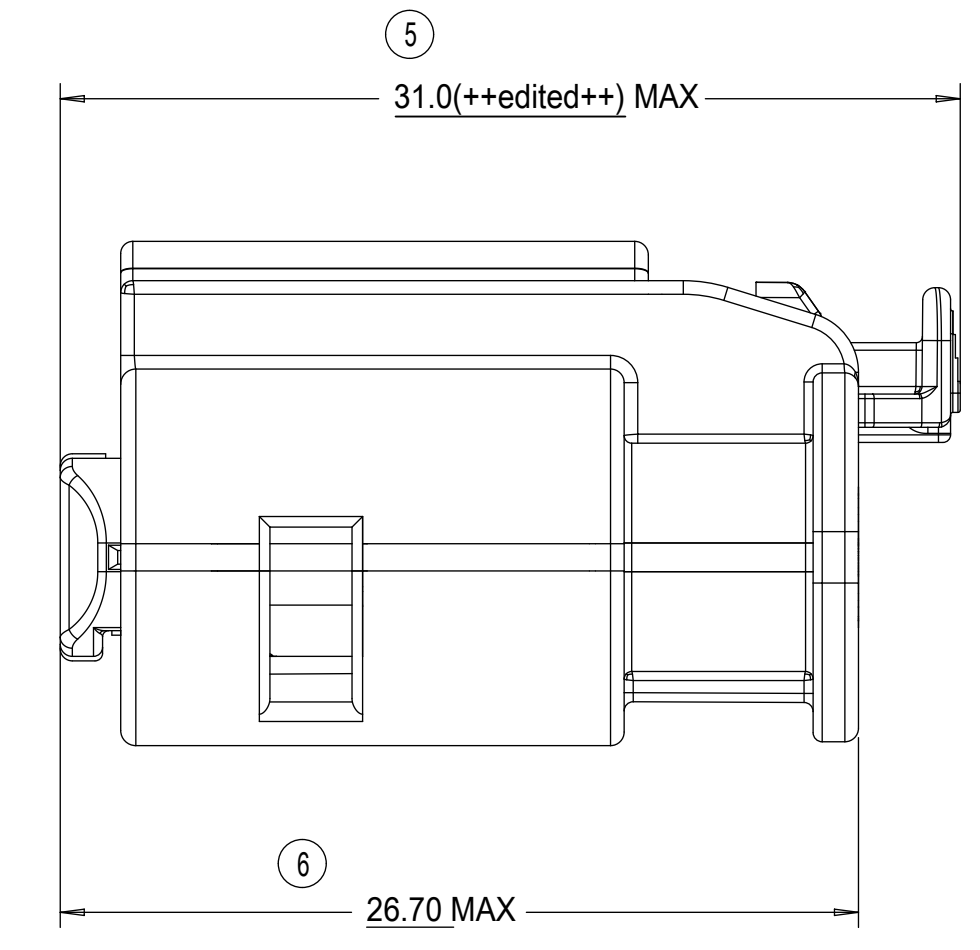
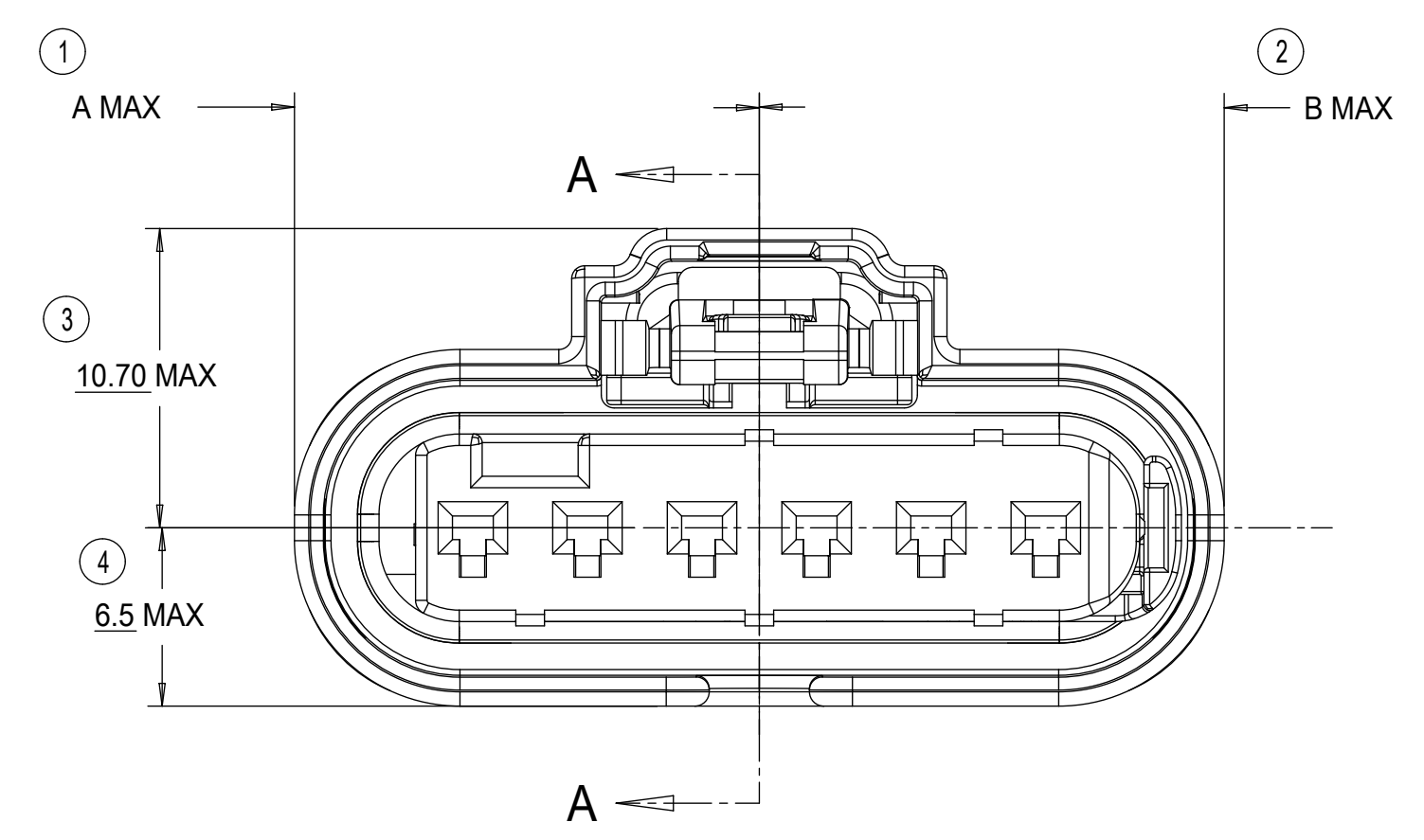
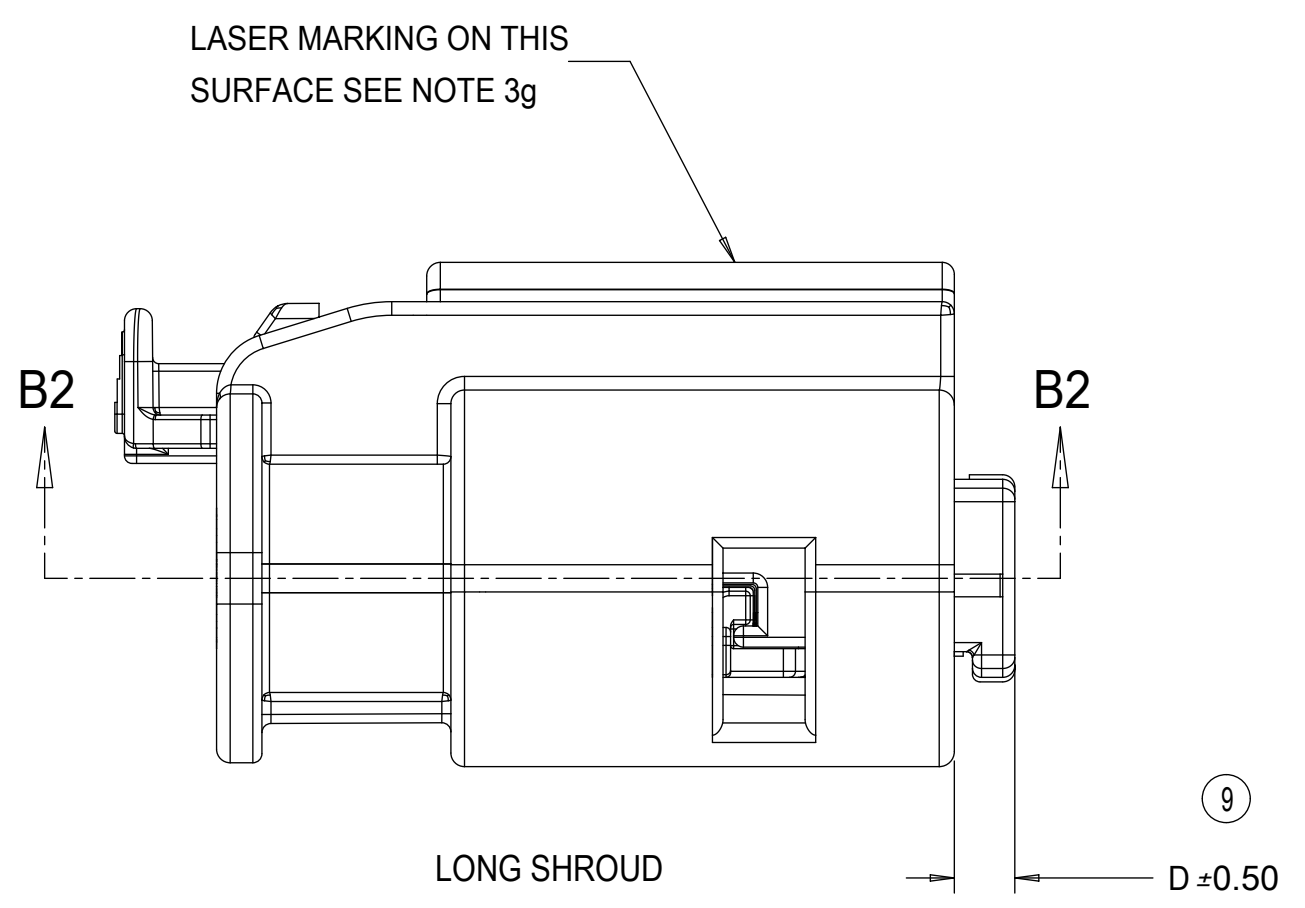
KEYING OPTION C



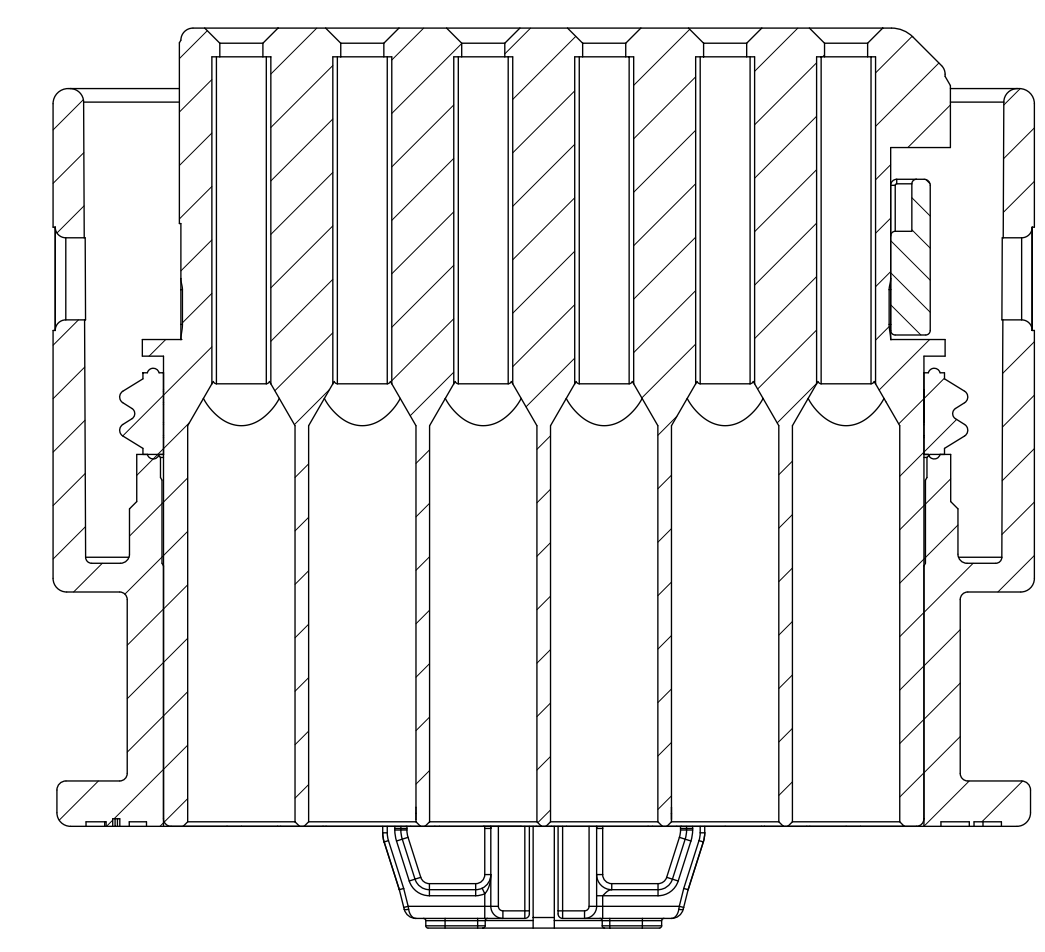
KEYING OPTION D

THIS DRAWING CONTAINS INFORMATION THAT IS PROPRIETARY TO MOLEX ELECTRONIC TECHNOLOGIES, LLC AND SHOULD NOT BE USED WITHOUT WRITTEN PERMISSION													
QUALITY SYMBOLS	EC NO: 628401 DRWN: GELLIOTTO1 CHKD: KBORUSZEWSKI REV APPR: KBORUSZEWSKI	2019/12/02	2019/12/03	2019/12/03	GENERAL TOLERANCES (UNLESS SPECIFIED)		DIMENSION UNITS	SCALE					
		4 PLACES ±	3 PLACES ±	2 PLACES ± 0.1	1 PLACE ± 0.2	0 PLACES ± 0.5	mm	5:1					
▽ = 0					ANGULAR TOL ± 3.0 °		DRWN BY	DATE	1.2MM 1X4, 1X6 RECPT. SEALED ASSEMBLY CABLE SEAL 626759 - CHANGED CPA2 TO CPA2. ROLLING CHANGE AT GM.				
▽ = 0						MVANSLAMBROU	2012/05/03						
▽ = 0							CHKD BY	DATE	PRODUCT CUSTOMER DRAWING				
▽ = 0							APPR BY	DATE					
▽ = 0							GGA	2012/12/13	SERIES	MATERIAL NUMBER	CUSTOMER		
▽ = 0							DRAFT WHERE APPLICABLE MUST REMAIN WITHIN DIMENSIONS	DRAWING SIZE	THIRD ANGLE PROJECTION	34900	SEE BOM	GENERAL MARKET	
▽ = 0								D		DOCUMENT NUMBER	DOC TYPE	DOC PART SHEET NUMBER	
▽ = 0										SD-34900-6001	PSD	001	3 OF 7

RECEPTACLE SEALED ASSEMBLY



SECTION B-B
INDEPENDENT SECONDARY LOCK (ISL)
SHOWN IN THE PRE-STAGED POSITION



SECTION B2-B2
INDEPENDENT SECONDARY LOCK (ISL)
SHOWN IN THE FINAL-LOCK POSITION

DESCRIPTION	A	B	C	D
1x6 MID LENGTH SHROUD	16.5	16.5	33.0	6.70
1x4 MID LENGTH SHROUD	16.5	16.5	25.0	6.70
1x6 LONG SHROUD	16.5	16.5	33.0	2.00
1x4 LONG SHROUD	12.5	12.5	25.0	2.00

CHARTED DIMENSIONS

THIS DRAWING CONTAINS INFORMATION THAT IS PROPRIETARY TO MOLEX ELECTRONIC TECHNOLOGIES, LLC AND SHOULD NOT BE USED WITHOUT WRITTEN PERMISSION			
QUALITY SYMBOLS F = 0 F = 0 F = 0 T = 0 C = 0 X = 0 = 0 V = 0	EC NO: 628401 DRWN: GELIOTT01 CHKD: KBORUSZEWSKI REV APPR: KBORUSZEWSKI	2019/12/02 2019/12/03 2019/12/03	GENERAL TOLERANCES (UNLESS SPECIFIED) DIMENSION UNITS: mm SCALE: 4:1 DRWN BY: MVANSLAMBROU DATE: 2012/05/03 CHKD BY: GGA DATE: 2012/12/13 APPR BY: GGA DATE: 2012/12/13 DRAWING SIZE: D THIRD ANGLE PROJECTION
	PRODUCT CUSTOMER DRAWING SERIES: 34900 MATERIAL NUMBER: SEE BOM CUSTOMER: GENERAL MARKET		
RELEASE STATUS: P1 RELEASE DATE: 2019/12/03 18:50:25		DOCUMENT NUMBER: SD-34900-6001 DOC TYPE: PSD DOC PART: 001 SHEET NUMBER: 4 OF 7	

1X4 RECEPTACLE SEALED ASSEMBLY BOM SHEET 1

KEY OPTION	ASSEMBLY DESCRIPTION	CONNECTOR HOUSING COLOR	TERMINAL HOUSING COLOR	OUTER HOUSING SHROUD LENGTH	ASSEMBLY PART NUMBER	CHB	CHY	CHMB	A	B	C	D	E	F	G	CPA1	CPA2	PRODUCTION TOOL STATUS	COMMENTS	DESIGNED TO MATE WITH DEVICE CONNECTION		
KEY OPTION G	BLACK	LIGHT GRAY	LONG	34900-4226	CHB										G	CPA2	SALABLE			1	2	
KEY OPTION F	BLACK	BLACK	LONG	34900-4225	CHB									F		CPA2	SALABLE			1	2	
KEY OPTION E	BLACK	DARK GRAY	LONG	34900-4224	CHB								E			CPA2	SALABLE			1	2	
KEY OPTION D	BLACK	LIGHT GRAY	LONG	34900-4223	CHB							D				CPA2	SALABLE			1	2	
KEY OPTION C	BLACK	DARK GRAY	LONG	34900-4222	CHB							C				CPA2	SALABLE			1	2	
KEY OPTION B	BLACK	STONE GRAY	LONG	34900-4221	CHB							B				CPA2	SALABLE			1	2	
KEY OPTION A	BLACK	BLACK	LONG	34900-4220	CHB							A				CPA2	SALABLE			1	2	
KEY OPTION G	YELLOW	LIGHT GRAY	LONG	34900-4216	CHY										G	CPA2	SALABLE			1	2	
KEY OPTION F	YELLOW	BLACK	LONG	34900-4215	CHY									F		CPA2	SALABLE			1	2	
KEY OPTION E	YELLOW	DARK GRAY	LONG	34900-4214	CHY								E			CPA2	SALABLE			1	2	
KEY OPTION D	YELLOW	LIGHT GRAY	LONG	34900-4213	CHY							D				CPA2	SALABLE			1	2	
KEY OPTION C	YELLOW	DARK GRAY	LONG	34900-4212	CHY							C				CPA2	SALABLE			1	2	
KEY OPTION B	YELLOW	STONE GRAY	LONG	34900-4211	CHY							B				CPA2	SALABLE			1	2	
KEY OPTION A	YELLOW	BLACK	LONG	34900-4210	CHY							A				CPA2	SALABLE			1	2	
KEY OPTION G	BLACK	LIGHT GRAY	MID LENGTH	34900-4136				CHMB							F	CPA2	CONCEPT			1	2	
KEY OPTION F	BLACK	BLACK	MID LENGTH	34900-4135				CHMB							E		CPA2	CONCEPT			1	2
KEY OPTION E	BLACK	DARK GRAY	MID LENGTH	34900-4134				CHMB							D		CPA2	CONCEPT			1	2
KEY OPTION D	BLACK	LIGHT GRAY	MID LENGTH	34900-4133				CHMB							C		CPA2	CONCEPT			1	2
KEY OPTION C	BLACK	DARK GRAY	MID LENGTH	34900-4132				CHMB							B		CPA2	CONCEPT			1	2
KEY OPTION B	BLACK	STONE GRAY	MID LENGTH	34900-4131				CHMB							A		CPA2	CONCEPT			1	2
KEY OPTION A	BLACK	BLACK	MID LENGTH	34900-4130				CHMB									CPA2	CONCEPT			1	2
KEY OPTION G	BLACK	LIGHT GRAY	LONG	34900-4126	CHB										G	CPA1	SALABLE			1	2	
KEY OPTION F	BLACK	BLACK	LONG	34900-4125	CHB									F		CPA1	SALABLE			1	2	
KEY OPTION E	BLACK	DARK GRAY	LONG	34900-4124	CHB									E		CPA1	SALABLE			1	2	
KEY OPTION D	BLACK	LIGHT GRAY	LONG	34900-4123	CHB									D		CPA1	SALABLE			1	2	
KEY OPTION C	BLACK	DARK GRAY	LONG	34900-4122	CHB									C		CPA1	SALABLE			1	2	
KEY OPTION B	BLACK	STONE GRAY	LONG	34900-4121	CHB									B		CPA1	SALABLE			1	2	
KEY OPTION A	BLACK	BLACK	LONG	34900-4120	CHB									A		CPA1	SALABLE			1	2	
KEY OPTION G	YELLOW	LIGHT GRAY	LONG	34900-4116	CHY										G	CPA1	SALABLE			1	2	
KEY OPTION F	YELLOW	BLACK	LONG	34900-4115	CHY									F		CPA1	SALABLE			1	2	
KEY OPTION E	YELLOW	DARK GRAY	LONG	34900-4114	CHY									E		CPA1	SALABLE			1	2	
KEY OPTION D	YELLOW	LIGHT GRAY	LONG	34900-4113	CHY									D		CPA1	SALABLE			1	2	
KEY OPTION C	YELLOW	DARK GRAY	LONG	34900-4112	CHY									C		CPA1	SALABLE			1	2	
KEY OPTION B	YELLOW	STONE GRAY	LONG	34900-4111	CHY									B		CPA1	SALABLE			1	2	
KEY OPTION A	YELLOW	BLACK	LONG	34900-4110	CHY									A		CPA1	SALABLE			1	2	

DESCRIPTION	COLOR	MATERIAL	COMMENTS
RING SEAL	LIGHT BLUE	INHERENTLY LUBRICATED SILICONE	
ISL	NATURAL	SPS/NYLON GF20	
CPA2	RED	PBT GF30	
CPA1	RED	PBT GF30	
TERMINAL HOUSING KEYING OPTION G	LIGHT GRAY	SPS/NYLON GF20	
TERMINAL HOUSING KEYING OPTION F	BLACK	SPS/NYLON GF20	
TERMINAL HOUSING KEYING OPTION E	DARK GRAY	SPS/NYLON GF20	
TERMINAL HOUSING KEYING OPTION D	LIGHT GRAY	SPS/NYLON GF20	
TERMINAL HOUSING KEYING OPTION C	DARK GRAY	SPS/NYLON GF20	
TERMINAL HOUSING KEYING OPTION B	STONE GRAY	SPS/NYLON GF20	
TERMINAL HOUSING KEYING OPTION A	BLACK	SPS/NYLON GF20	
MID LENGTH CONNECTOR HOUSING	BLACK	SPS/NYLON GF20	
CONNECTOR HOUSING	BLACK	SPS/NYLON GF20	UPDATED LATCH
CONNECTOR HOUSING	YELLOW	SPS/NYLON GF20	UPDATED LATCH
WIRE DRESS COVER STRAIGHT	BLACK	PA66	
WIRE DRESS COVER LEFT	BLACK	PA66	SOLD SEPARATELY SEE SD-160091-0001
WIRE DRESS COVER RIGHT	BLACK	PA66	
DESCRIPTION	COLOR	MATERIAL	COMMENTS

BOM/APPLICABLE COMPONENTS TABLE

ABREVIATION	COMPONENT
CHY	CONNECTOR HOUSING YELLOW
CHB	CONNECTOR HOUSING BLACK
CHBM	CONNECTOR HOUSING BLACK MID SHROUD
A	TERMINAL HOUSING KEY A
B	TERMINAL HOUSING KEY B
C	TERMINAL HOUSING KEY C
D	TERMINAL HOUSING KEY D
E	TERMINAL HOUSING KEY E
F	TERMINAL HOUSING KEY F
G	TERMINAL HOUSING KEY G
CPA1	CPA VERSION 1
CPA2	CPA VERSION 2
ISL	ISL
RING SEAL	RING SEAL
1	USCAR INTERFACE 120-S-004-1-Z02 SEE NOTE 1f FOR WEBSITE
2	MOLEX INLINE BLADE CONNECTOR SD-34899-6001

QUALITY SYMBOLS	THIS DRAWING CONTAINS INFORMATION THAT IS PROPRIETARY TO MOLEX ELECTRONIC TECHNOLOGIES, LLC AND SHOULD NOT BE USED WITHOUT WRITTEN PERMISSION			
	EC NO: 628401 DRWN: GELIOTT01 CHKD: KBORUSZEWSKI REV APPR: KBORUSZEWSKI	2019/12/02 2019/12/03 2019/12/03	GENERAL TOLERANCES (UNLESS SPECIFIED) ANGULAR TOL ± 3.0 ° 4 PLACES ± 3 PLACES ± 2 PLACES ± 0.1 1 PLACE ± 0.2 0 PLACES ± 0.5 DRAFT WHERE APPLICABLE MUST REMAIN WITHIN DIMENSIONS	DIMENSION UNITS: mm SCALE: 5:1 DRWN BY: MVANSLAMBROU DATE: 2012/05/03 CHKD BY: DATE: APPR BY: GGA DATE: 2012/12/13 DRAWING SIZE: D THIRD ANGLE PROJECTION:
molex		1.2MM 1X4, 1X6 RECPT. SEALED ASSEMBLY CABLE SEAL 626759 - CHANGED CPA2 TO CPA1. ROLLING CHANGE AT GM.		
PRODUCT CUSTOMER DRAWING		SERIES: 34900 MATERIAL NUMBER: SEE BOM CUSTOMER: GENERAL MARKET		
DOCUMENT NUMBER: SD-34900-6001		DOC TYPE: PSD DOC PART: 001 SHEET NUMBER: 5 OF 7		

1X6 RECEPTACLE SEALED ASSEMBLY BOM SHEET 1

KEYING OPTION D	BLACK	STONE GRAY	MID LENGTH	34900-6230			CHMB			D	CPA2	SALABLE		1	3	
KEYING OPTION C	BLACK	DARK GRAY	MID LENGTH	34900-6221			CHMB		C		CPA2	SALABLE		1	3	
KEYING OPTION B	BLACK	LIGHT GRAY	MID LENGTH	34900-6228			CHMB	B			CPA2	SALABLE		1	3	
KEYING OPTION A	BLACK	BLACK	MID LENGTH	34900-6219			CHMB	A			CPA2	SALABLE		1	3	
KEYING OPTION D	BLACK	STONE GARY	LONG	34900-6243			CHLB			D	CPA2	SALABLE		1	2	
KEYING OPTION C	BLACK	DARK GRAY	LONG	34900-6242			CHLB		C		CPA2	SALABLE		1	2	
KEYING OPTION B	BLACK	LIGHT GRAY	LONG	34900-6241			CHLB	B			CPA2	SALABLE		1	2	
KEYING OPTION A	BLACK	BLACK	LONG	34900-6240			CHLB	A			CPA2	SALABLE		1	2	
KEYING OPTION D	YELLOW	STONE GRAY	LONG	34900-6213	CHLY					D	CPA2	SALABLE		1	2	
KEYING OPTION C	YELLOW	DARK GRAY	LONG	34900-6212	CHLY				C		CPA2	SALABLE		1	2	
KEYING OPTION B	YELLOW	LIGHT GRAY	LONG	34900-6211	CHLY			B			CPA2	SALABLE		1	2	
KEYING OPTION A	YELLOW	BLACK	LONG	34900-6210	CHLY			A			CPA2	SALABLE		1	2	
KEYING OPTION D	BLACK	STONE GRAY	MID LENGTH	34900-6130			CHMB			D	CPA1	SALABLE		1	3	
KEYING OPTION C	BLACK	DARK GRAY	MID LENGTH	34900-6121			CHMB		C		CPA1	SALABLE		1	3	
KEYING OPTION B	BLACK	LIGHT GRAY	MID LENGTH	34900-6128			CHMB	B			CPA1	SALABLE		1	3	
KEYING OPTION A	BLACK	BLACK	MID LENGTH	34900-6119			CHMB	A			CPA1	SALABLE		1	3	
KEYING OPTION D	BLACK	STONE GARY	LONG	34900-6143			CHLB			D	CPA1	SALABLE		1	2	
KEYING OPTION C	BLACK	DARK GRAY	LONG	34900-6142			CHLB		C		CPA1	SALABLE		1	2	
KEYING OPTION B	BLACK	LIGHT GRAY	LONG	34900-6141			CHLB	B			CPA1	SALABLE		1	2	
KEYING OPTION A	BLACK	BLACK	LONG	34900-6140			CHLB	A			CPA1	SALABLE		1	2	
KEYING OPTION D	YELLOW	STONE GRAY	LONG	34900-6113	CHLY					D	CPA1	SALABLE		1	2	
KEYING OPTION C	YELLOW	DARK GRAY	LONG	34900-6112	CHLY				C		CPA1	SALABLE		1	2	
KEYING OPTION B	YELLOW	LIGHT GRAY	LONG	34900-6111	CHLY			B			CPA1	SALABLE		1	2	
KEYING OPTION A	YELLOW	BLACK	LONG	34900-6110	CHLY			A			CPA1	SALABLE		1	2	
ASSEMBLY DESCRIPTION	CONNECTOR HOUSING COLOR	TERMINAL CAVITY COLOR	OUTER HOUSING SHROUD LENGTH	ASSEMBLY PART NUMBER				A	B	C	D	CPA1	CPA2	STATUS	COMMENTS	DESIGNED TO MATE WITH DEVICE CONNECTION

DESCRIPTION	COLOR	MATERIAL	COMMENTS
RING SEAL	BURNT RED	INHERENTLY LUBRICATED SILICONE	
ISL	NATURAL	SPS/NYLON GF20	
CPA2	RED	PBT GF30	
CPA1	RED	PBT GF30	
TERMINAL HOUSING KEYING OPTION D	STONE GRAY	SPS/NYLON GF20	
TERMINAL HOUSING KEYING OPTION C	DARK GRAY	SPS/NYLON GF20	
TERMINAL HOUSING KEYING OPTION B	LIGHT GRAY	SPS/NYLON GF20	
TERMINAL HOUSING KEYING OPTION A	BLACK	SPS/NYLON GF20	
CONNECTOR HOUSING MID LENGTH	BLACK	SPS/NYLON GF20	UPDATED LATCH
CONNECTOR HOUSING LONG	BLACK	SPS/NYLON GF20	UPDATED LATCH
CONNECTOR HOUSING LONG	YELLOW	SPS/NYLON GF20	UPDATED LATCH
WIRE DRESS COVER STRAIGHT	BLACK	PA66	SOLD SEPARATELY SEE SD-160091-0001
WIRE DRESS COVER LEFT	BLACK	PA66	
WIRE DRESS COVER RIGHT	BLACK	PA66	

BOM / APPLICABLE COMPONENTS TABLE

LEGEND TABLE

ABREVIATION	COMPONENT
CHLY	CONNECTOR HOUSING LONG YELLOW
CHLB	CONNECTOR HOUSING LONG BLACK
CHMB	CONNECTOR HOUSING MEDIUM BLACK
A	TERMINAL HOUSING KEY A
B	TERMINAL HOUSING KEY B
C	TERMINAL HOUSING KEY C
D	TERMINAL HOUSING KEY D
CPA1	CPA VERSION 1
CPA2	CPA VERSION 2
ISL	ISL
RING SEAL	RING SEAL
1	USCAR INTERFACE 120-S-006-1-Z02 SEE NOTE 1f FOR WEBSITE
2	MOLEX INLINE BLADE CONNECTOR SD-34899-6001
3	USCAR INTERFACE 120-S-006-1-Z04 SEE NOTE 1f FOR WEBSITE

QUALITY SYMBOLS 	THIS DRAWING CONTAINS INFORMATION THAT IS PROPRIETARY TO MOLEX ELECTRONIC TECHNOLOGIES, LLC AND SHOULD NOT BE USED WITHOUT WRITTEN PERMISSION										
	EC NO: 628401 DRWN: GELIOTTO1 CHKD: KBORUSZEWSKI REV APPR: KBORUSZEWSKI	2019/12/02 2019/12/03 2019/12/03	GENERAL TOLERANCES (UNLESS SPECIFIED) ANGULAR TOL ± 3.0 ° 4 PLACES ± 3 PLACES ± 2 PLACES ± 0.1 1 PLACE ± 0.2 0 PLACES ± 0.5	DIMENSION UNITS: mm SCALE: 2:1 DRWN BY: MVANSLAMBROU DATE: 2012/05/03 CHKD BY: DATE: APPR BY: GGA DATE: 2012/12/13		1.2MM 1X4, 1X6 RECPT. SEALED ASSEMBLY CABLE SEAL 626759 - CHANGED CPA2 TO CPA2. ROLLING CHANGE AT GM.					
	DRAFT WHERE APPLICABLE MUST REMAIN WITHIN DIMENSIONS				DRAWING SIZE: D THIRD ANGLE PROJECTION	PRODUCT CUSTOMER DRAWING					
	SERIES: 34900 MATERIAL NUMBER: SEE TABLE CUSTOMER: GENERAL MARKET		DOCUMENT NUMBER: SD-34900-6001 DOC TYPE: PSD DOC PART: 001 SHEET NUMBER: 6 OF 7								

OBSELETE PART NUMBERS

34900-4026	OBSELETE
34900-4025	OBSELETE
34900-4024	OBSELETE
34900-4023	OBSELETE
34900-4022	OBSELETE
34900-4021	OBSELETE
34900-4020	OBSELETE
34900-4016	OBSELETE
34900-4015	OBSELETE
34900-4014	OBSELETE
34900-4013	OBSELETE
34900-4012	OBSELETE
34900-4011	OBSELETE
34900-4010	OBSELETE
ASSEMBLY PART NUMBER	STATUS

1X4

34900-6030	OBSELETE
34900-6021	OBSELETE
34900-6028	OBSELETE
34900-6019	OBSELETE
34900-6043	OBSELETE
34900-6042	OBSELETE
34900-6041	OBSELETE
34900-6040	OBSELETE
34900-6013	OBSELETE
34900-6012	OBSELETE
34900-6011	OBSELETE
34900-6010	OBSELETE
ASSEMBLY PART NUMBER	STATUS

1X6

THIS DRAWING CONTAINS INFORMATION THAT IS PROPRIETARY TO MOLEX ELECTRONIC TECHNOLOGIES, LLC AND SHOULD NOT BE USED WITHOUT WRITTEN PERMISSION									
DIMENSION UNITS	SCALE	Material:			molex				
mm	1:1	Heat treat:							
GENERAL TOLERANCES (UNLESS SPECIFIED)		Finish:			1.2MM 1X4, 1X6 RECPT. SEALED ASSEMBLY CABLE SEAL 626759 - CHANGED CPA2 TO CPA2. ROLLING CHANGE AT GM.				
ANGULAR TOL ± 3.0 °		CURRENT REV DESC:							
4 PLACES	±	EC NO: 628401 DRWN: GELLIOTT01 2019/12/02 CHK'D: KBORUSZEWSKI 2019/12/03 APPR: KBORUSZEWSKI 2019/12/03 ORIG DRWN BY: MVANSLAMBROU 2012/05/03			PRODUCT CUSTOMER DRAWING				
3 PLACES	±				DOCUMENT NUMBER				
2 PLACES	± 0.1				SD-34900-6001				
1 PLACE	± 0.2				PSD 001 A16				
0 PLACES	± 0.5				REVISION				
TOOL NUMBER	THIRD ANGLE PROJECTION	DRAWING	SERIES	MATERIAL NUMBER	CUSTOMER		SHEET NUMBER		
		D-SIZE	34900		GENERAL MARKET		7 OF 7		