

NOTES: (UNLESS OTHERWISE SPECIFIED)

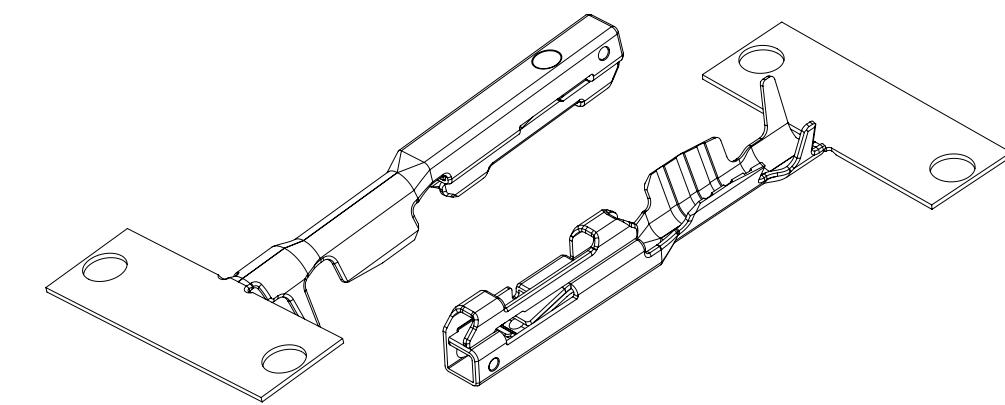
1. MATERIAL: COPPER ALLOY
2. PLATING: SEE TABLE 1
2.1 ANTI-TARNISH TREATMENT FOR SILVER PLATED AREA: SYNTHETIC HYDROCARBON CONTACT SURFACE FINISH OR EQUIVALENT
3. PACKAGING SPEC: 313025040
4. CRIMPING SPEC: AS-34905-001
5. PROBING THE CONTACT INTERFACE OF THE TERMINAL OR AT ANY POINT ON THE TERMINAL BEAM IS NOT PERMITTED
6. EXCEPTION: 34905-2443 HAS ISL LOCK UP AT BACK OF TERMINAL BOX SAME AS CONTACT GEOMETRY 6 TERMINALS
7. FOR SILVER PLATING: ELECTRICAL PERFORMANCE IS NOT AFFECTED BY TARNISH ON SILVER PLATING SURFACE. ACCEPTABLE SILVER SURFACES CAN INCLUDE TARNISH OF ANY OF THE OBSERVED COLORS. OBSERVED TARNISH COLORS ARE YELLOW, BROWN, GRAY, BLUE, OR BLACK.

TABLE 1

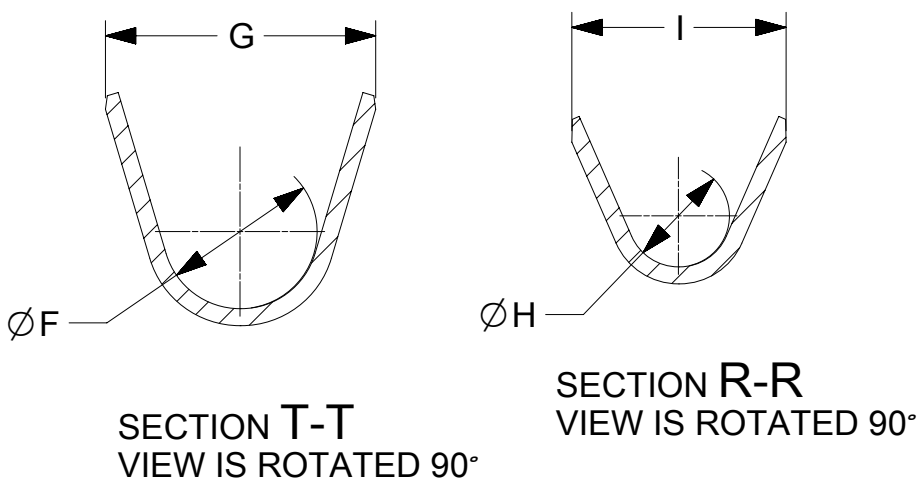
Part number & Status				Top Layer Plating Type	Contact geometry	Marking Type	Grip Code	Wire Insulation OD - mm	Wire Size - mm ²	Dimensions - mm				
D Wind Part Number	Status	B Wind Part Number	Status							Dim A	Dim B ± 0.20	Dim C	Dim D	Dim E ± 0.05
34905-3443	To be obsoleted and replaced by 34905-6447** in 2020	34905-3445	To be obsoleted and replaced by 34905-6449** in 2020	Ag	6	LH	L	1.20-1.40	0.35	1.36	2.35	0.90	1.88 ± 0.20	0.18
34905-2443*	To be obsoleted and replaced by 34905-2447** in 2020	-	34905-2449** to be added in 2020	Sn	1	L	S	0.95-1.05	0.13	0.82	1.90	0.68	1.30 ± 0.15	0.00
34905-3444	To be obsoleted and replaced by 34905-6448** in 2020	34905-3446	To be obsoleted and replaced by 34905-6450** in 2020	Ag	6	SH	S	0.95-1.05	0.13	0.82	1.90	0.68	1.30 ± 0.15	0.00
34905-2444	To be obsoleted and replaced by 34905-2448** in 2020	34905-2446	To be obsoleted and replaced by 34905-2450** in 2020	Sn	1	S	S	0.95-1.05	0.13	0.82	1.90	0.68	1.30 ± 0.15	0.00

* SEE NOTE 6
** SEE TABLE 2

SYMBOLS	THIS DRAWING CONTAINS INFORMATION THAT IS PROPRIETARY TO MOLEX ELECTRONIC TECHNOLOGIES, LLC AND SHOULD NOT BE USED WITHOUT WRITTEN PERMISSION		CURRENT REV DESC:		
	THIS DRAWING CONTAINS INFORMATION THAT IS PROPRIETARY TO MOLEX ELECTRONIC TECHNOLOGIES, LLC AND SHOULD NOT BE USED WITHOUT WRITTEN PERMISSION	DIMENSION UNITS	SCALE	EC NO: 630175	
▽ = 0	mm	15:1	DRWN: SMAHADIK	2020/01/06	349050400
▽ = 0	GENERAL TOLERANCES (UNLESS SPECIFIED)		CHK'D: TOMSMITH	2020/01/09	
▽ = 0	ANGULAR TOL ± 1.0°		APPR: JCUATACERVAN	2020/01/21	PRODUCT CUSTOMER DRAWING
▽ = 0	4 PLACES ±		INITIAL REVISION:		DOCUMENT NUMBER
▽ = 0	3 PLACES ±		DRWN: SJAZRAWI		2016/07/13
▽ = 0	2 PLACES ± 0.1		APPR: YLEPOTTIER		2016/08/01
▽ = 0	1 PLACE ± 0.2		SERIES		DOC TYPE DOC PART REVISION
▽ = 0	0 PLACES ±		DRAWING		PSD 000 B4
▽ = 0	DRAFT WHERE APPLICABLE MUST REMAIN WITHIN DIMENSIONS		THIRD ANGLE PROJECTION		MATERIAL NUMBER
▽ = 0	THIRD ANGLE PROJECTION		DRAWING		CUSTOMER
▽ = 0	DRAWING		SERIES		GENERAL MARKET
▽ = 0	A1-SIZE		34905		SHEET NUMBER
▽ = 0	A1-SIZE		34905		1 OF 2

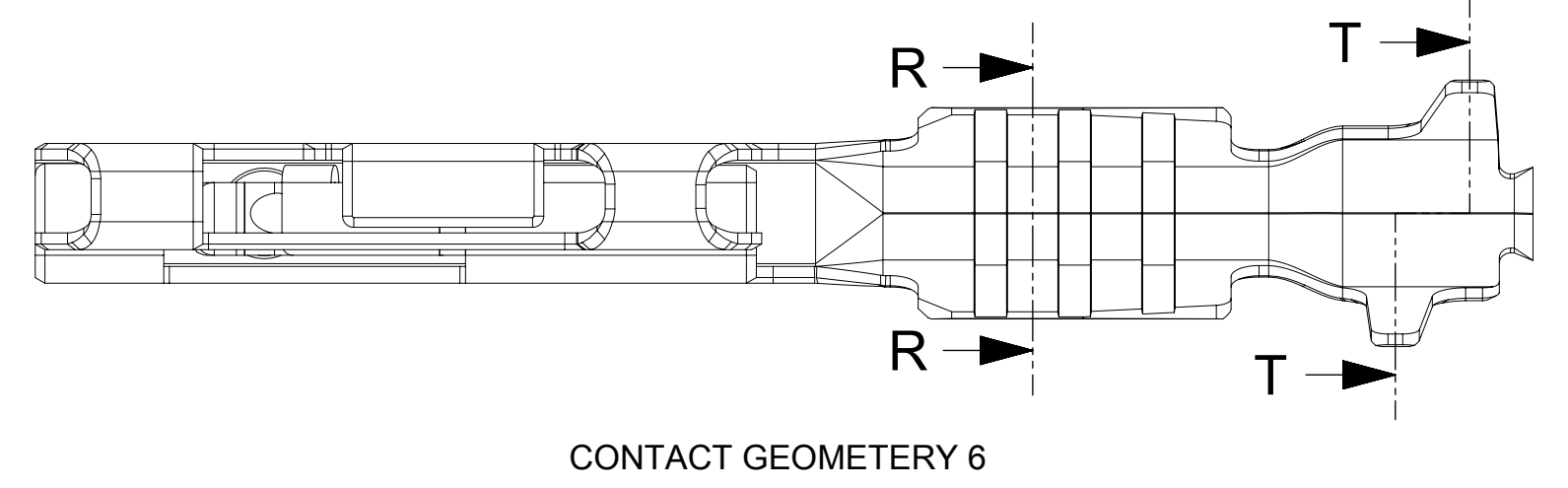


ISO VIEW
SCALE 5:1

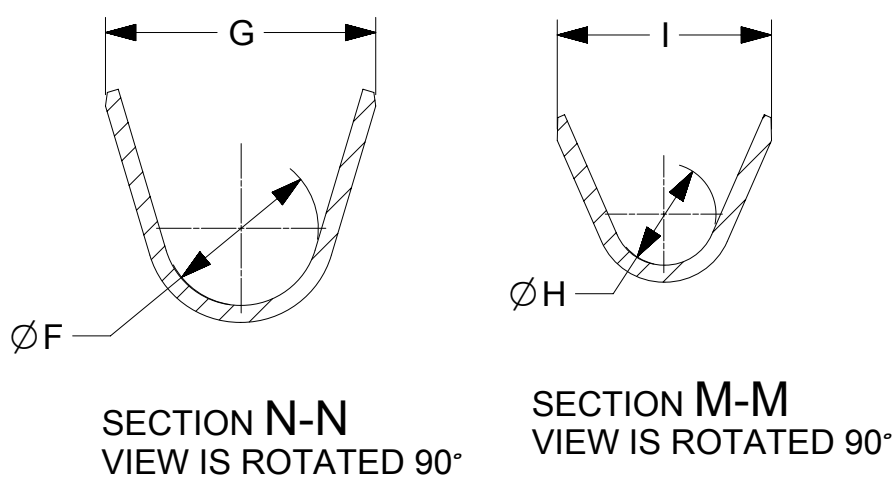


SECTION T-T
VIEW IS ROTATED 90°

SECTION R-R
VIEW IS ROTATED 90°

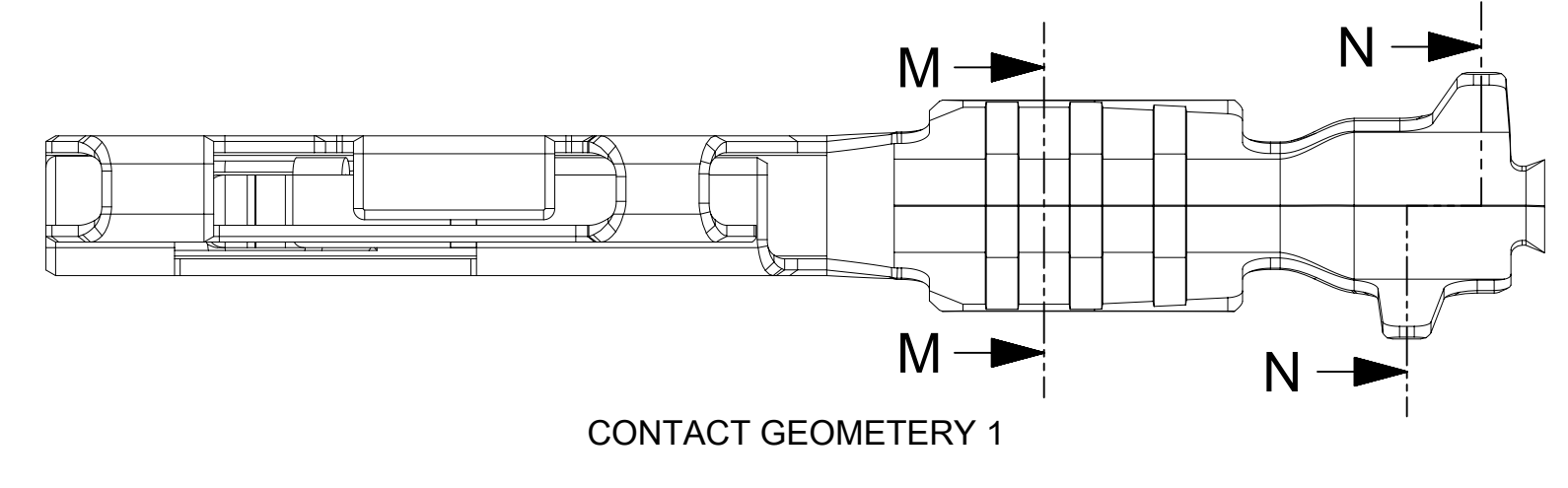


CONTACT GEOMETRY 6

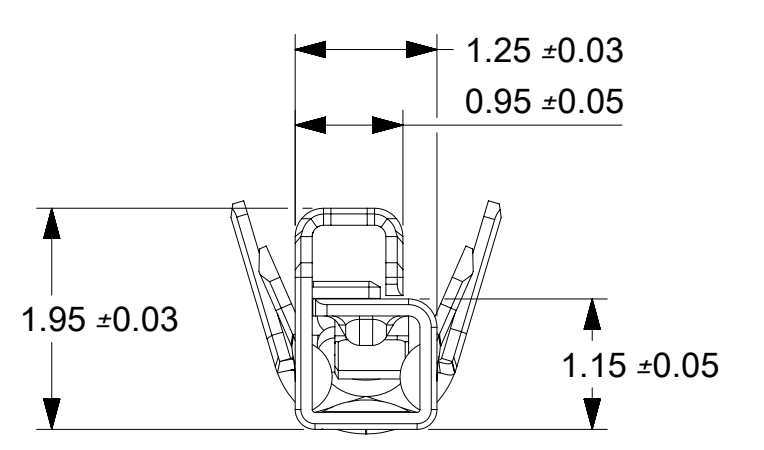


SECTION N-N
VIEW IS ROTATED 90°

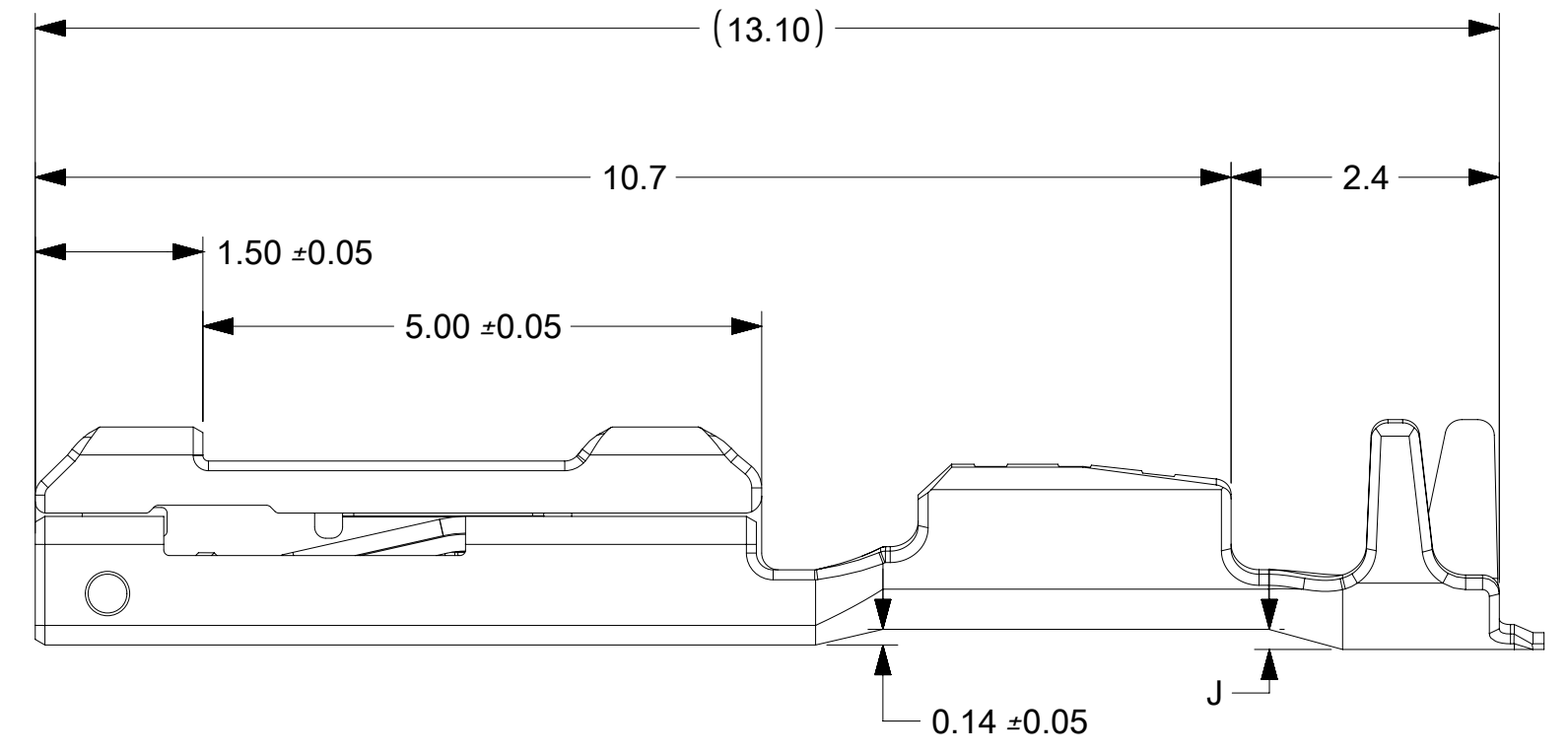
SECTION M-M
VIEW IS ROTATED 90°



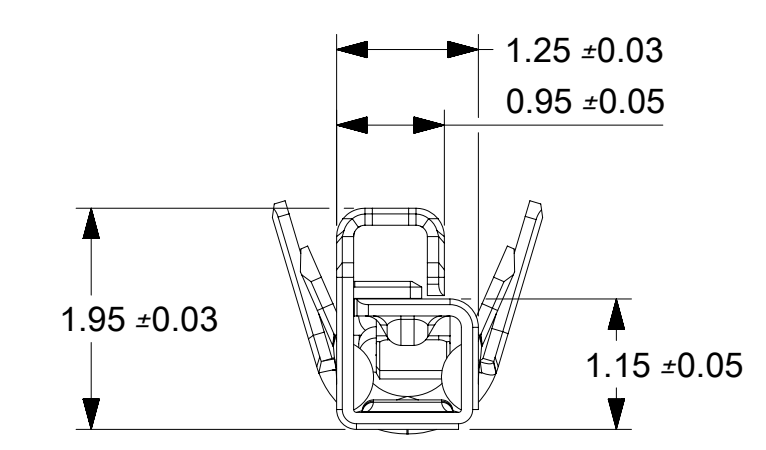
CONTACT GEOMETRY 1



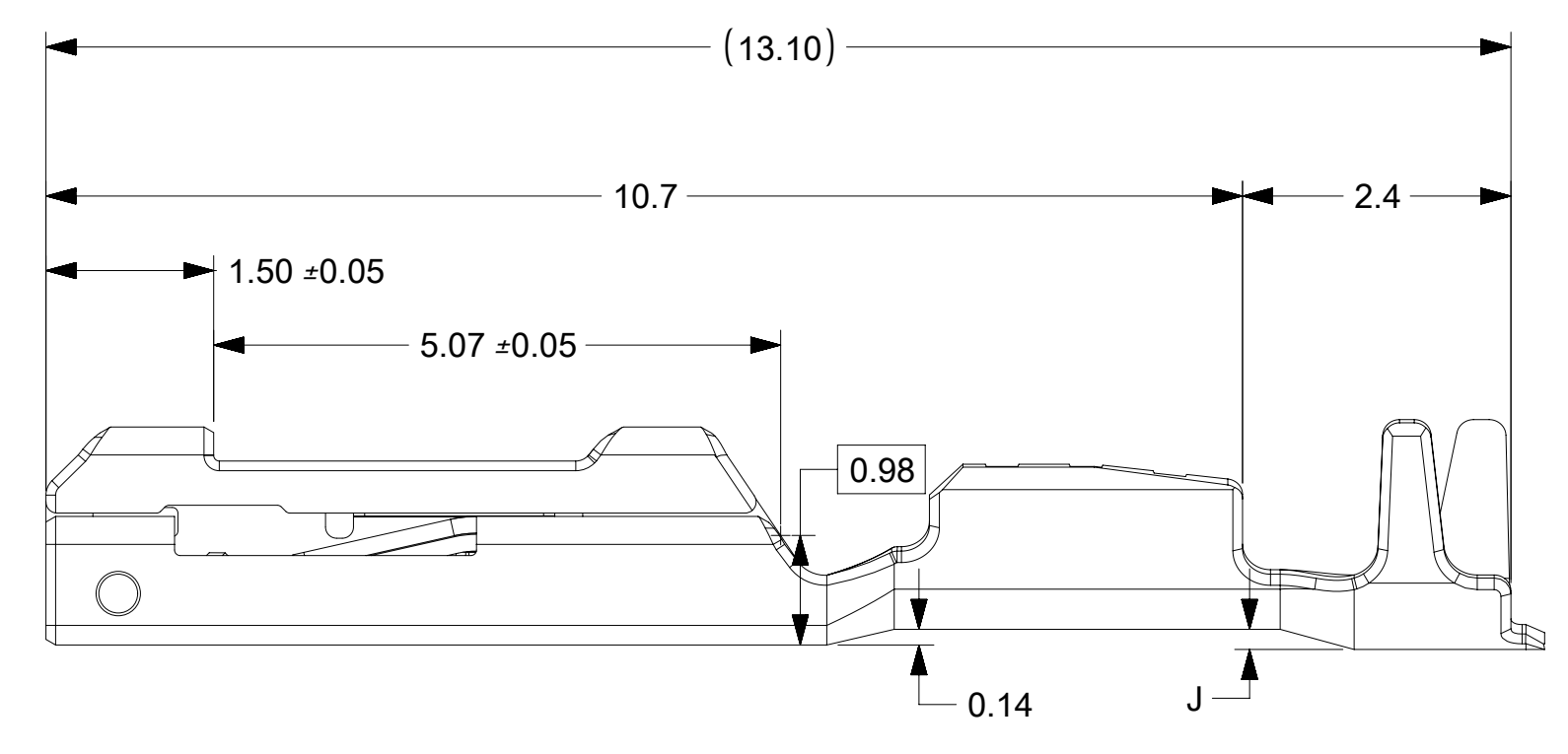
CONTACT GEOMETRY 6



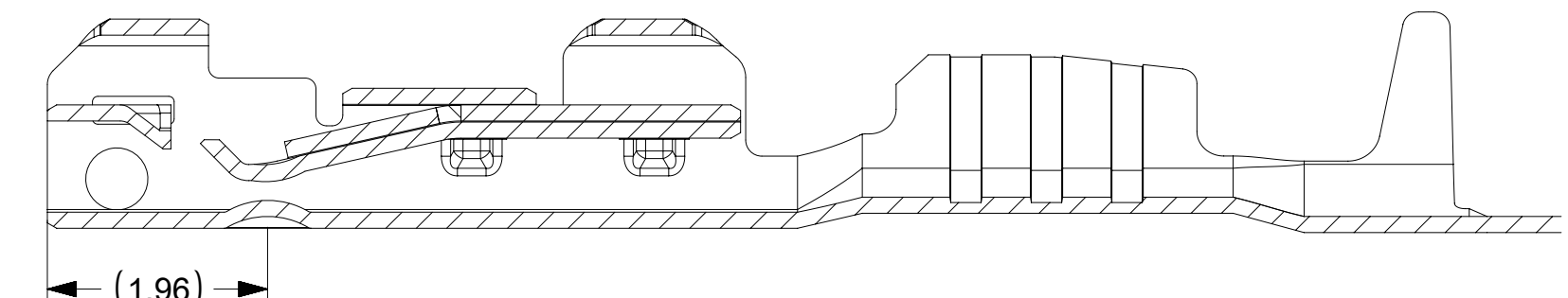
CONTACT GEOMETRY 6



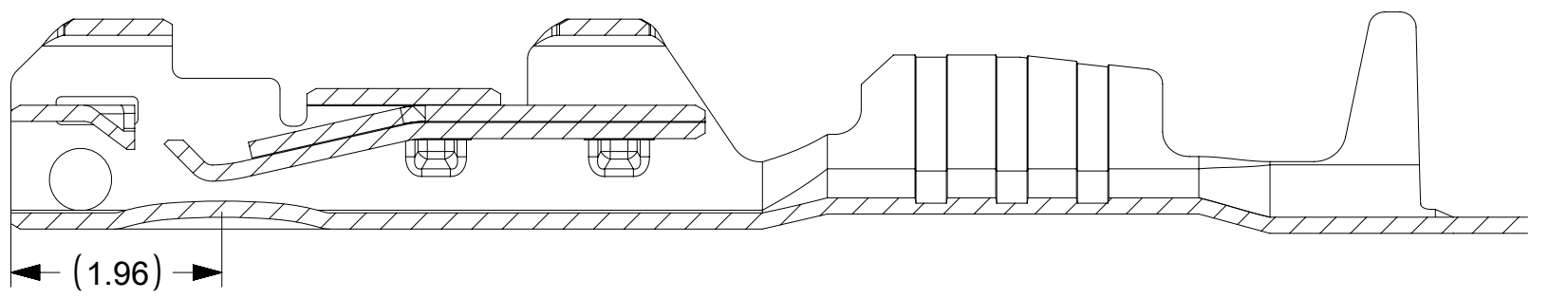
CONTACT GEOMETRY 1



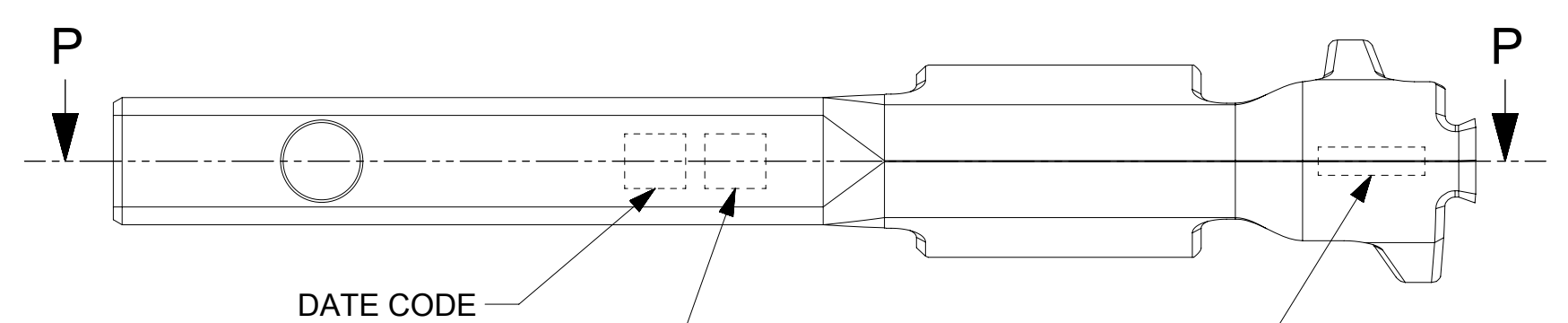
CONTACT GEOMETRY 1



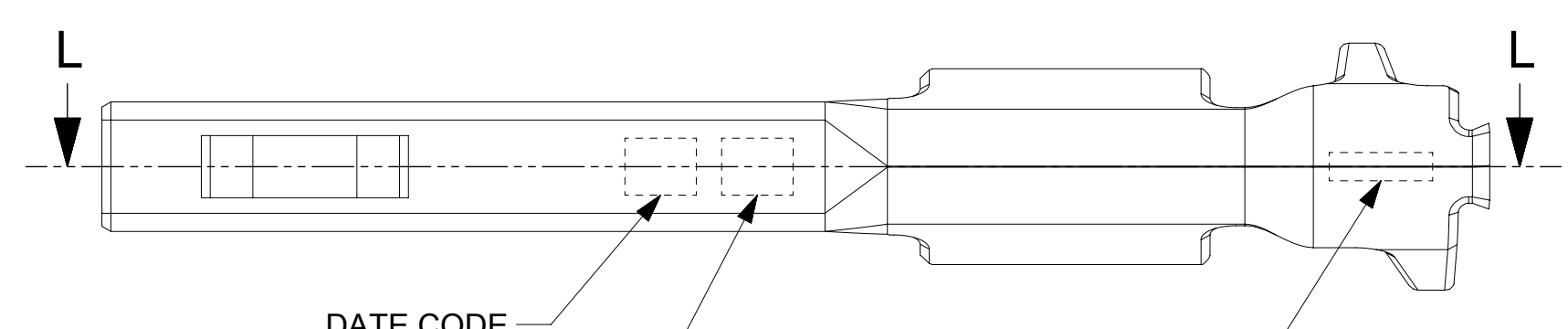
SECTION P-P
CONTACT GEOMETRY 6



SECTION L-L
CONTACT GEOMETRY 1



CONTACT GEOMETRY 6



CONTACT GEOMETRY 1

TABLE 2

PART NUMBER		Status	Top Layer Plating Type	Contact geometry	Marking Type	Grip Code	Wire Insulation OD - mm	Wire Size - mm ²	Dimensions - mm				
D Wind Part Number	B Wind Part Number								Dim F	Dim G ± 0.20	Dim H	Dim I	Dim J ± 0.05
34905-6447	34905-6449	SALEABLE	Ag	6	L1H	L1	1.20-1.40	0.35	1.36	2.35	0.90	1.88 ± 0.20	0.18
34905-2447	34905-2449	SALEABLE	Sn	1	L1				1.36	2.35	0.90	1.88 ± 0.20	0.18
34905-6448	34905-6450	IN VALIDATION	Ag	6	S2H	S2	0.95-1.05	0.13	0.82	1.90	0.68	1.30 ± 0.15	0.00
34905-2448	34905-2450	SALEABLE	Sn	1	S2				0.82	1.90	0.68	1.30 ± 0.15	0.00

THIS DRAWING CONTAINS INFORMATION THAT IS PROPRIETARY TO MOLEX ELECTRONIC TECHNOLOGIES, LLC AND SHOULD NOT BE USED WITHOUT WRITTEN PERMISSION

SYMBOLS	DIMENSION UNITS	SCALE	CURRENT REV DESC:
	mm	15:1	
▽ = 0	GENERAL TOLERANCES (UNLESS SPECIFIED)		EC NO: 630175 DRWN: SMAHADIK 2020/01/06 CHK'D: TOMSMITH 2020/01/09 APPR: JCUATACERVAN 2020/01/21
▽ = 0	ANGULAR TOL ± 1.0°		
▽ = 0	4 PLACES	±	INITIAL REVISION: DRWN: SJAZRAWI 2016/07/13 APPR: YLEPOTTIER 2016/08/01
▽ = 0	3 PLACES	±	
▽ = 0	2 PLACES	± 0.1	DOCUMENT NUMBER: 349050400 DOC TYPE: PSD DOC PART: 000 REVISION: B4
▽ = 0	1 PLACE	± 0.2	
▽ = 0	0 PLACES	±	MATERIAL NUMBER: 34905
▽ = 0	DRAFT WHERE APPLICABLE MUST REMAIN WITHIN DIMENSIONS		CUSTOMER: GENERAL MARKET
THIRD ANGLE PROJECTION	DRAWING	SERIES	SHEET NUMBER: 2 OF 2
A1-SIZE	34905		