

TABLE OF CONTENTS	
SHEET NO.	SHEET DESCRIPTION
1	NOTES AND BOM
2	CONFIGURATIONS
3-4	KEY CONFIGURATIONS
5	BLADE CONNECTOR ASSEMBLY
6	SYSTEM PACKAGING
7	BACKSHELL NOTES
8	BACKSHELL
9	BACKSHELL CONFIGURATIONS

NOTES: VALID UNLESS OTHERWISE SPECIFIED

1. GENERAL:

a. APPLICATION SPECIFICATION SEE: AS-33472-100
 -CONTAINS: PRODUCT INTRODUCTION, PRODUCT SUMMARY, CONNECTOR ASSEMBLY, PACKAGING INFORMATION, CONNECTOR MATING, SERVICE INSTRUCTIONS, ELECTRICAL CONTINUITY CHECKING, CRIMPING, AND TROUBLESHOOTING.
 -DESIGNED TO MATE WITH CONNECTOR AS SPECIFIED IN THE MATING CONNECTOR DRAWINGS CHART.
 -ASSEMBLY SHIPPED WITH PLR IN PRE-LOCK POSITION (SEE PLR PRE-LOCK VIEW SHEET 5).

b. PRODUCT SPECIFICATION SEE: PS-160008-0001
 CONTAINS: SCOPE, PRODUCT DESCRIPTION, INTEGRAL COMPONENTS AND ACCESSORIES, APPLICABLE DOCUMENTS AND SPECIFICATIONS, RATINGS, PERFORMANCE, PACKAGING, GAUGES AND FIXTURES, AND OTHER INFORMATION.

c. PACKAGING SPECIFICATION PER MOLEX DRAWING: SEE PACKAGING CHART.

d. PARTS MUST BE IN COMPLIANCE TO MOLEX CHEMICAL SUBSTANCES FOR PRODUCTS AND PACKAGING SPECIFICATION: QEHS-699000-300

e. DATA MUST BE SUBMITTED UNDER THE MOLEX PART NUMBER TO IMDS (COMPANY ID#13255)

2. DESIGN - MATERIALS:

a. SEE BOM TABLE IN SD-160011-0002

3. DESIGN - GEOMETRY:

a. THE 3-D CAD DATA IS BASIC (WITHOUT TOLERANCE) AND MASTER FOR THIS PART WITH THE EXCEPTION OF UNDERLINED DIMENSIONS. DIMENSIONAL INFORMATION NOT SHOWN ON THIS DRAWING IS DEFINED BY THE DATA FILE AT ITS LATEST REVISION.

b. GEOMETRIC DIMENSIONS AND TOLERANCES PER ASME Y14.5M-2009

c. EDGES AND UNDIMENSIONED DETAILS PER ISO13715

d. CORNERS SHOWN AS SHARP TO BE R 0.2 MAX.

e. LETTERING SHALL BE 0.15 MAX RAISED IN 0.25 MAX RECESS PAD. THIS INCLUDES RECYCLING CODE, CAVITY ID, VENDOR IDENTIFICATION, AND CUSTOMER MATERIAL NUMBER.

f. VISUAL DEFECTS SHALL MEET COSMETIC STANDARD PS-45499-002 (Class B).

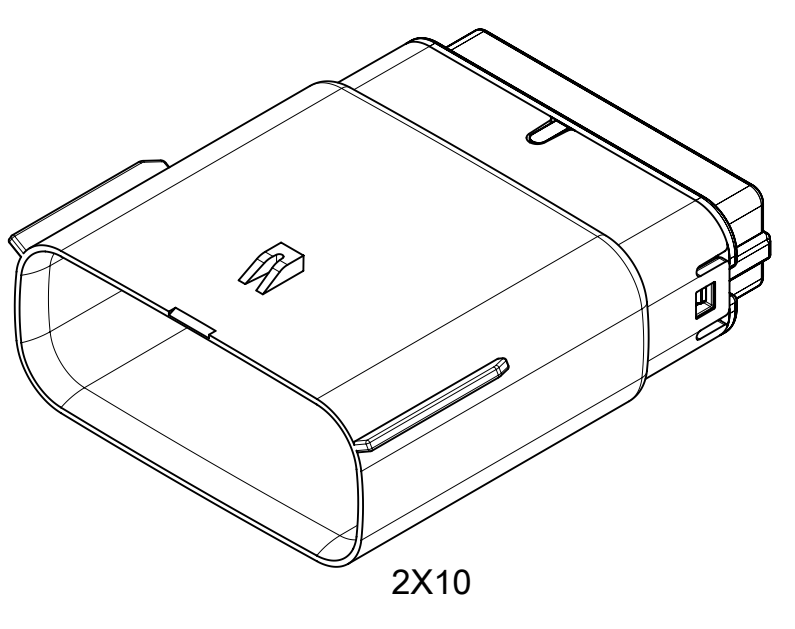
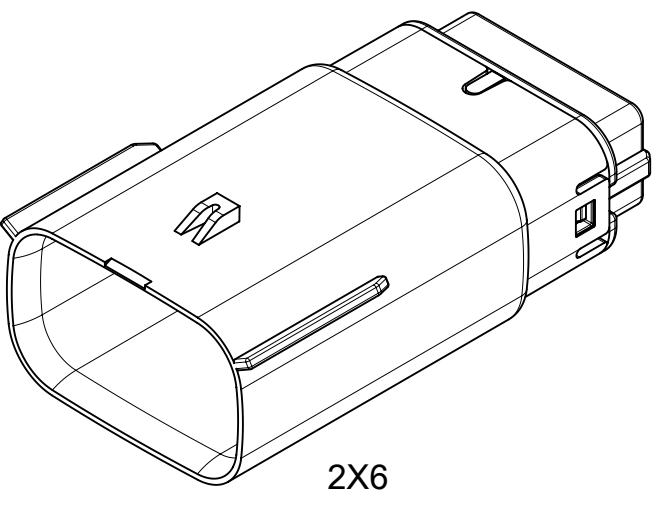
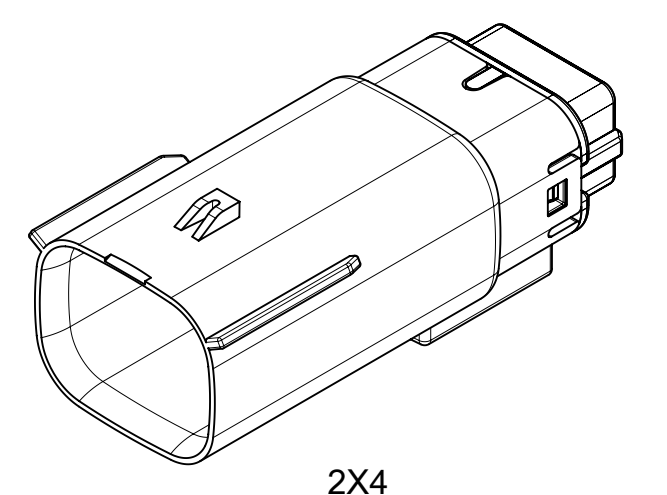
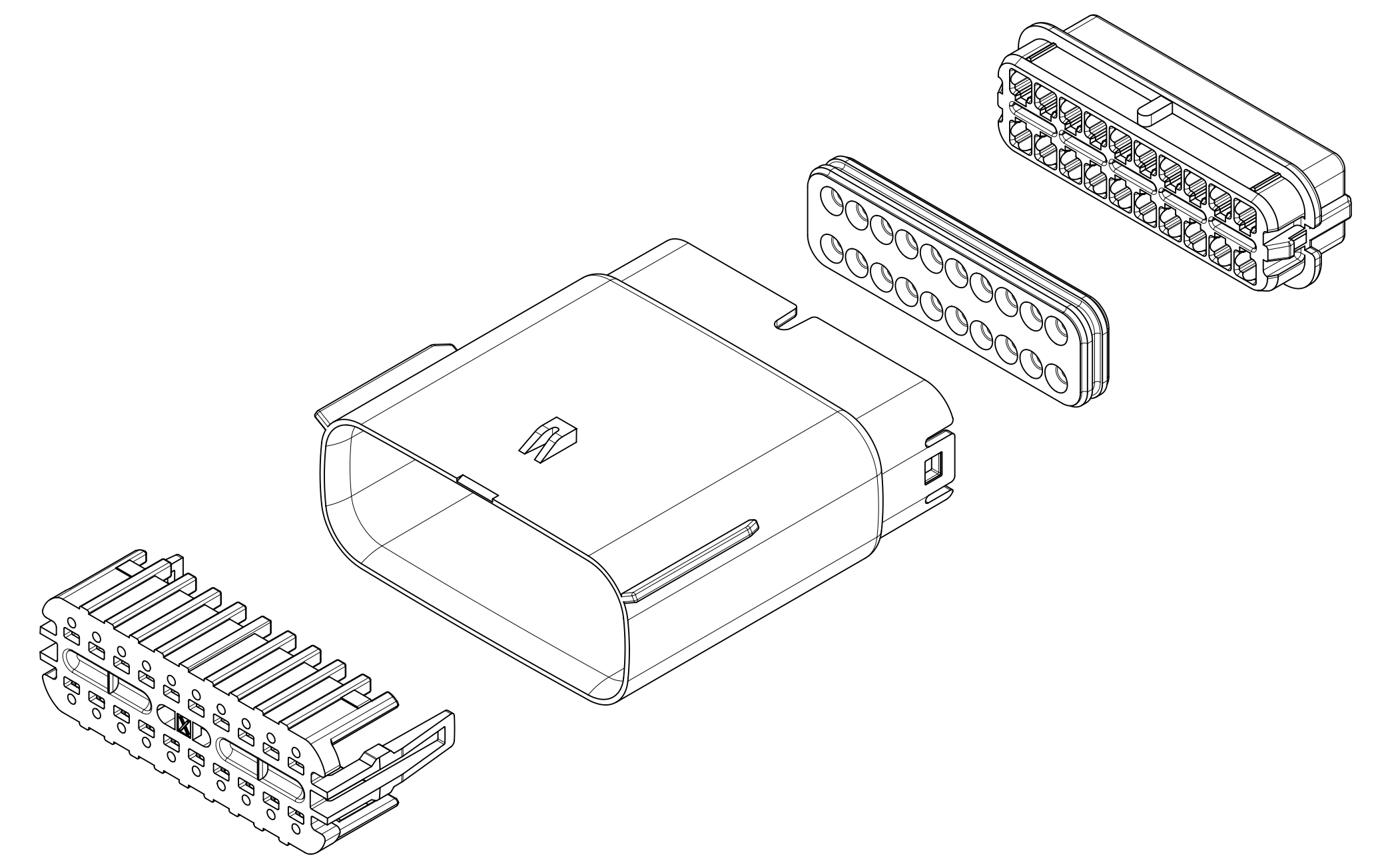
g. LASER MARKING:

- PART NUMBER
- DAY OF THE YEAR
- SHIFT
- YEAR

FOR ADDITIONAL INFORMATION REFERENCE SECTION 5 UNDER PROCEDURES IN ES-34735-008.

PACKAGING	
DESCRIPTION	DRAWING NO.
2X2	TBD
2X3	TBD
2X4	PK-36518-392
2X6	PK-31300-635
2X8	TBD
2X10	PK-31300-635

MATING CONNECTOR DRAWINGS	
DESCRIPTION	MOLEX INLINE
2X2	TBD
2X3	TBD
2X4	SD-160008-0001
2X6	SD-160008-0001
2X8	TBD
2X10	SD-160018-0001



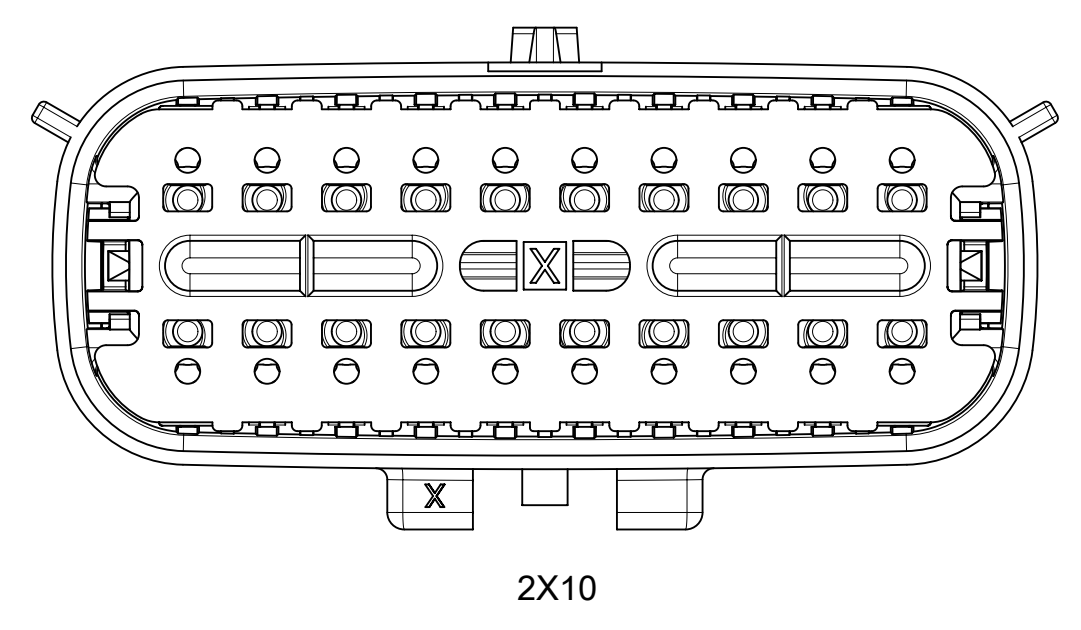
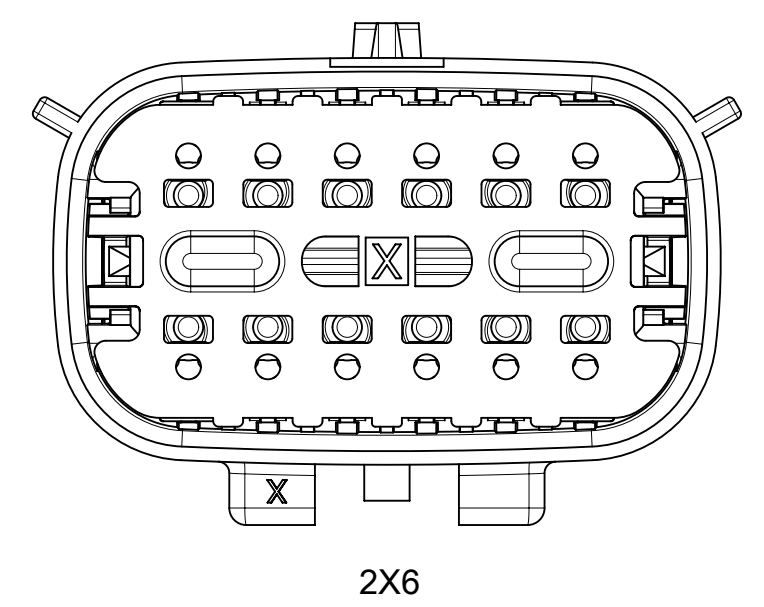
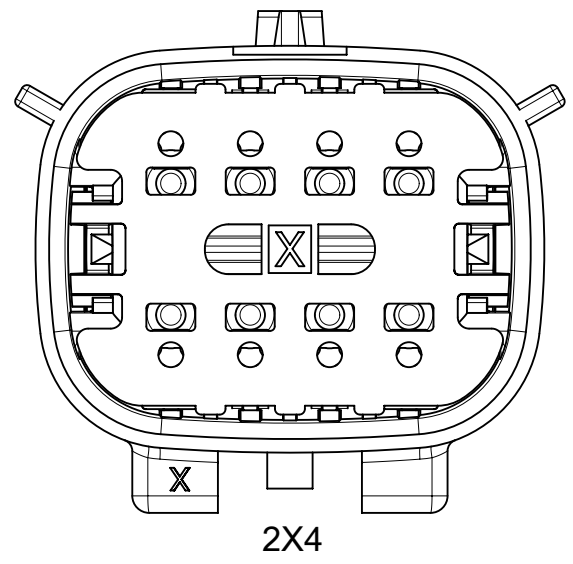
INSPECTION NUMBER LOG	
LAST NUMBER:	
ADDED:	
REMOVED:	

A5	ADDED MOLEX BACKSHELL DETAILS
A4	MIGRATED FROM COCREATE AND IMPORTED DXF FILES
A3	ADDED SHEET 6 & UPDATED PASS THRU
A2	UPDATED NOTES & BACKSHELL INFO
A1	CORRECTED DIM 16
A	INITIAL RELEASE
REV	REV DESCRIPTION

SYMBOLS = 0 mm = 0 1.5:1 = 0 GENERAL TOLERANCES (UNLESS SPECIFIED) = 0 ANGULAR TOL ± 3.0° = 0 4 PLACES ± = 0 3 PLACES ± = 0 2 PLACES ± 0.1 = 0 1 PLACE ± 0.2 = 0 0 PLACES ± = 0 DRAFT WHERE APPLICABLE MUST REMAIN WITHIN DIMENSIONS	THIS DRAWING CONTAINS INFORMATION THAT IS PROPRIETARY TO MOLEX ELECTRONIC TECHNOLOGIES, LLC AND SHOULD NOT BE USED WITHOUT WRITTEN PERMISSION		CURRENT REV DESC: EC NO: 171650 DRWN: PMANJUNATHAC 2018/01/01 CHK'D: MVANSLAMBROU 2018/02/16 APPR: MVANSLAMBROU 2018/02/16		 MX150 GEN 2 BLADE DUAL ROW SEALED ASSEMBLY MAT SEAL PRODUCT CUSTOMER DRAWING		
	INITIAL REVISION: DRWN: KBORUSZEWSKI 2014/02/19 APPR: VKOSHY 2014/03/05		DOCUMENT NUMBER SD-160011-0001	DOC TYPE PSD		DOC PART 001	REVISION A5
	MATERIAL NUMBER 160011	CUSTOMER GENERAL MARKET	SHEET NUMBER 1 OF 11				
	THIRD ANGLE PROJECTION 	DRAWING A1-SIZE	SERIES 160011				

DOCUMENT STATUS	P1	RELEASE DATE	2018/02/16	22:02:24
-----------------	----	--------------	------------	----------

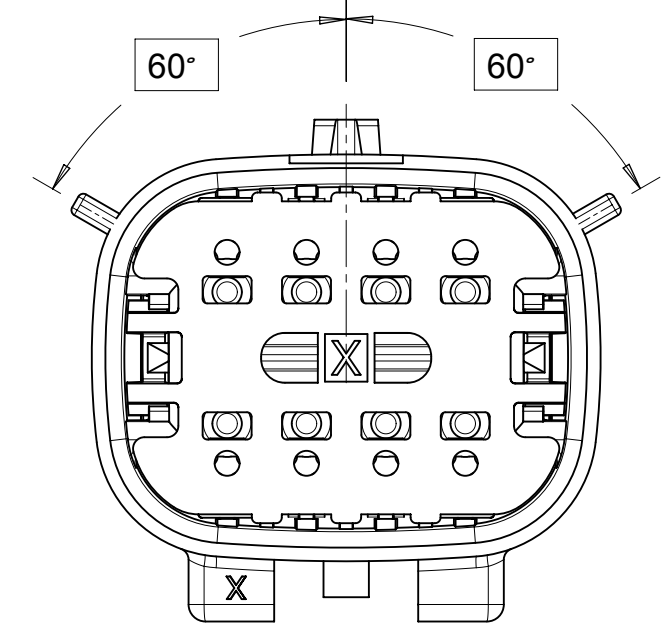
SHEET DESCRIPTION
CONFIGURATIONS



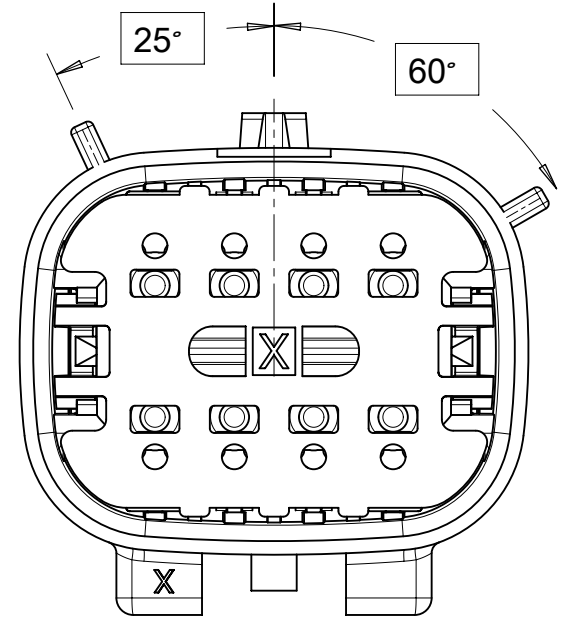
SYMBOLS	THIS DRAWING CONTAINS INFORMATION THAT IS PROPRIETARY TO MOLEX ELECTRONIC TECHNOLOGIES, LLC AND SHOULD NOT BE USED WITHOUT WRITTEN PERMISSION		CURRENT REV DESC:				
	DIMENSION UNITS	SCALE					
▽ = 0	mm	3:1	DRWN: PMANJUNATHAC 2018/01/01		MX150 GEN 2 BLADE		
▽ = 0	GENERAL TOLERANCES (UNLESS SPECIFIED)		CHK'D: MVANSLAMBROU 2018/02/16		DUAL ROW SEALED ASSEMBLY MAT SEAL		
▽ = 0	ANGULAR TOL ± 3.0°		APPR: MVANSLAMBROU 2018/02/16		PRODUCT CUSTOMER DRAWING		
▽ = 0	4 PLACES ±		INITIAL REVISION:		SD-160011-0001		
▽ = 0	3 PLACES ±		DRWN: KBORUSZEWSKI 2014/02/19		PSD 001 A5		
▽ = 0	2 PLACES ± 0.1		APPR: VKOSHY 2014/03/05		GENERAL MARKET		
▽ = 0	1 PLACE ± 0.2		THIRD ANGLE PROJECTION		SHEET NUMBER		
⊠ = 0	0 PLACES ±		DRAWING		2 OF 11		
■ = 0	DRAFT WHERE APPLICABLE MUST REMAIN WITHIN DIMENSIONS		SERIES		MATERIAL NUMBER		
▽ = 0			A1-SIZE		CUSTOMER		
			160011		GENERAL MARKET		

SHEET DESCRIPTION
KEY CONFIGURATIONS

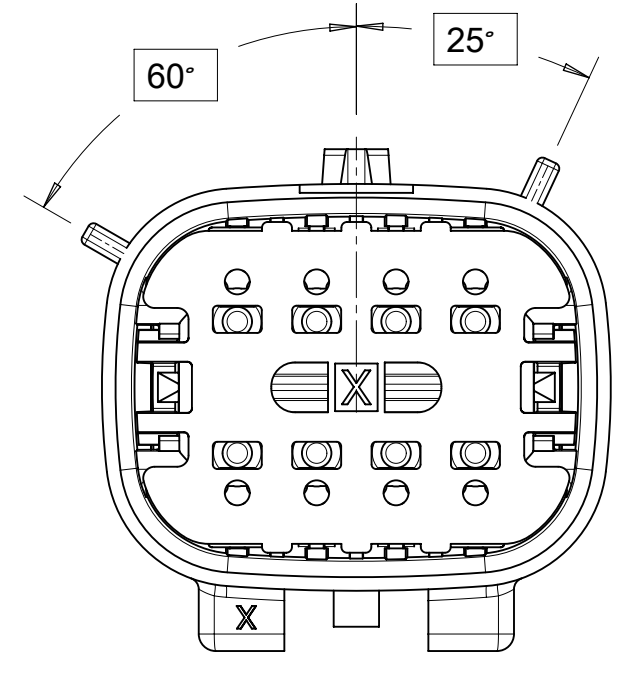
2X4



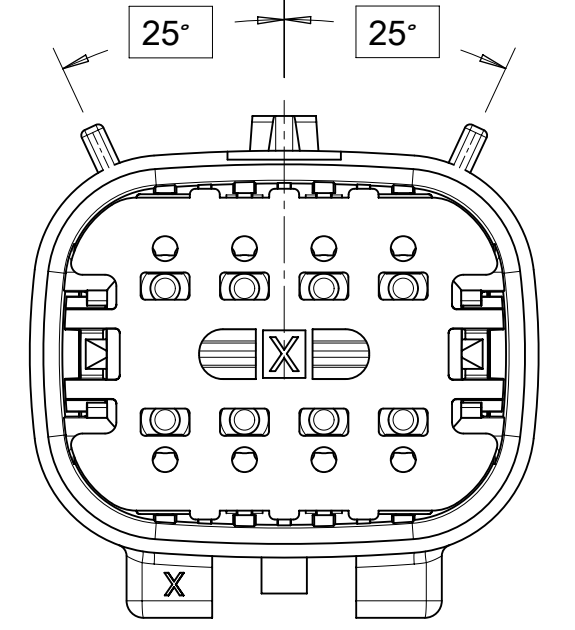
KEY A



KEY B



KEY C



KEY D

THIS DRAWING CONTAINS INFORMATION THAT IS PROPRIETARY TO MOLEX ELECTRONIC TECHNOLOGIES, LLC AND SHOULD NOT BE USED WITHOUT WRITTEN PERMISSION

SYMBOLS	DIMENSION UNITS	SCALE
	mm	3:1
	GENERAL TOLERANCES (UNLESS SPECIFIED)	
	ANGULAR TOL ± 3.0°	
	4 PLACES	±
	3 PLACES	±
	2 PLACES	± 0.1
	1 PLACE	± 0.2
	0 PLACES	±
	DRAFT WHERE APPLICABLE MUST REMAIN WITHIN DIMENSIONS	

CURRENT REV DESC:		
EC NO:	171650	
DRWN:	PMANJUNATHAC	2018/01/01
CHK'D:	MVANSLAMBROU	2018/02/16
APPR:	MVANSLAMBROU	2018/02/16
INITIAL REVISION:		
DRWN:	KBORUSZEWSKI	2014/02/19
APPR:	VKOSHY	2014/03/05
THIRD ANGLE PROJECTION	DRAWING	SERIES
	A1-SIZE	160011

molex

MX150 GEN 2 BLADE
DUAL ROW SEALED ASSEMBLY MAT SEAL

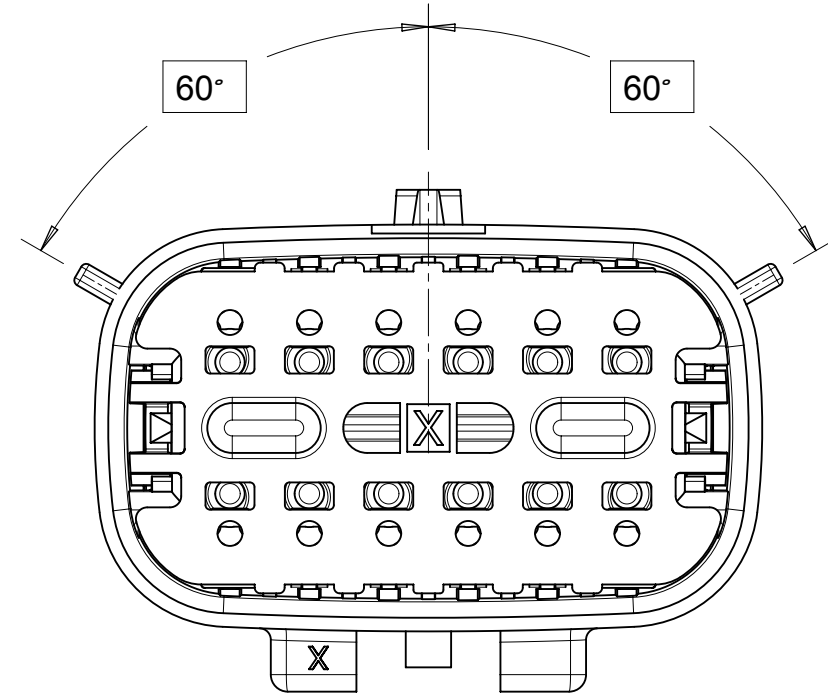
PRODUCT CUSTOMER DRAWING

DOCUMENT NUMBER	DOC TYPE	DOC PART	REVISION
SD-160011-0001	PSD	001	A5

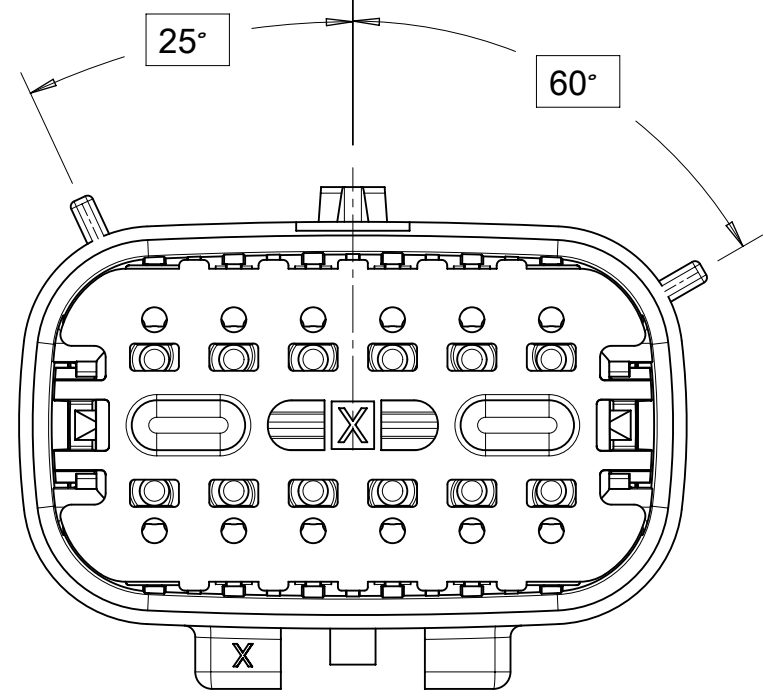
MATERIAL NUMBER	CUSTOMER	SHEET NUMBER
	GENERAL MARKET	3 OF 11

SHEET DESCRIPTION
KEY CONFIGURATIONS CONT.

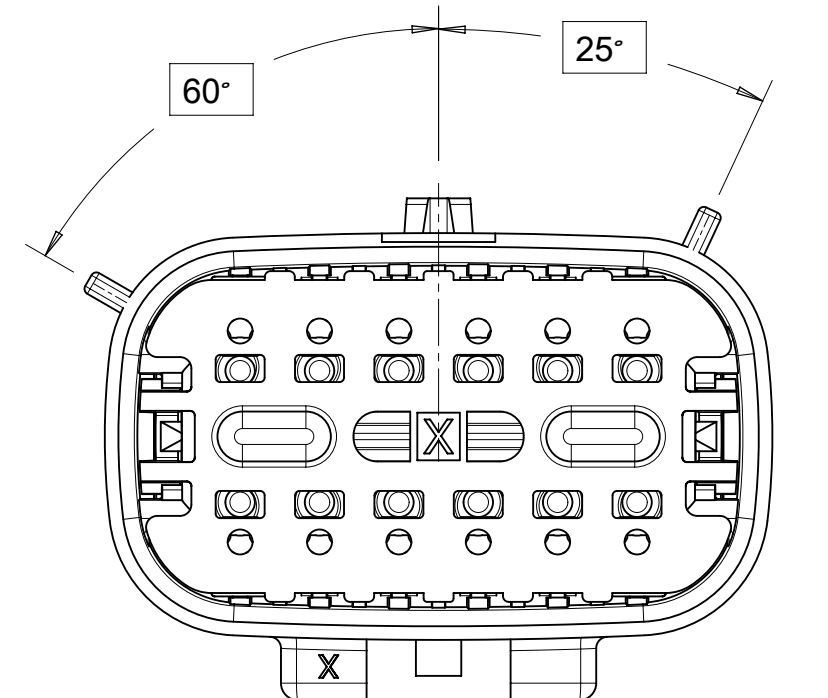
2X6



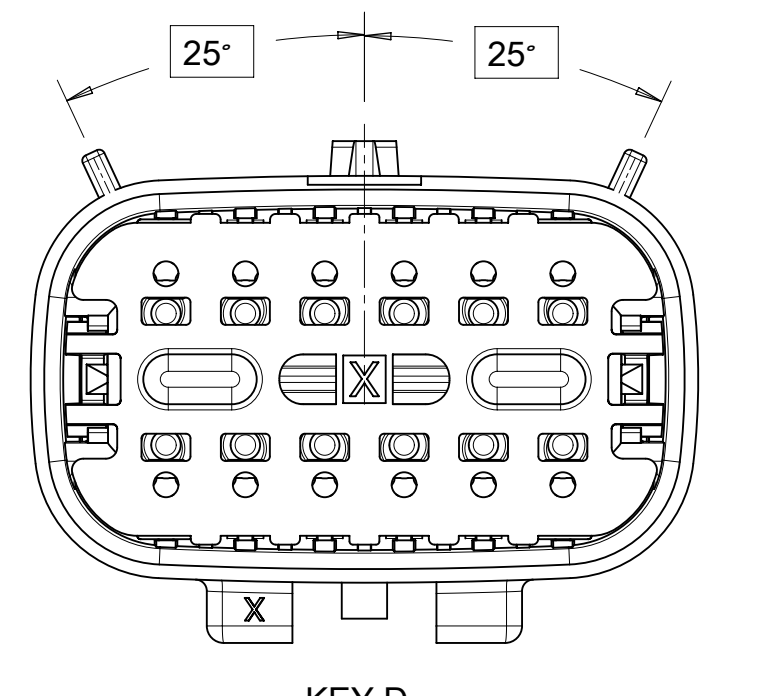
KEY A



KEY B

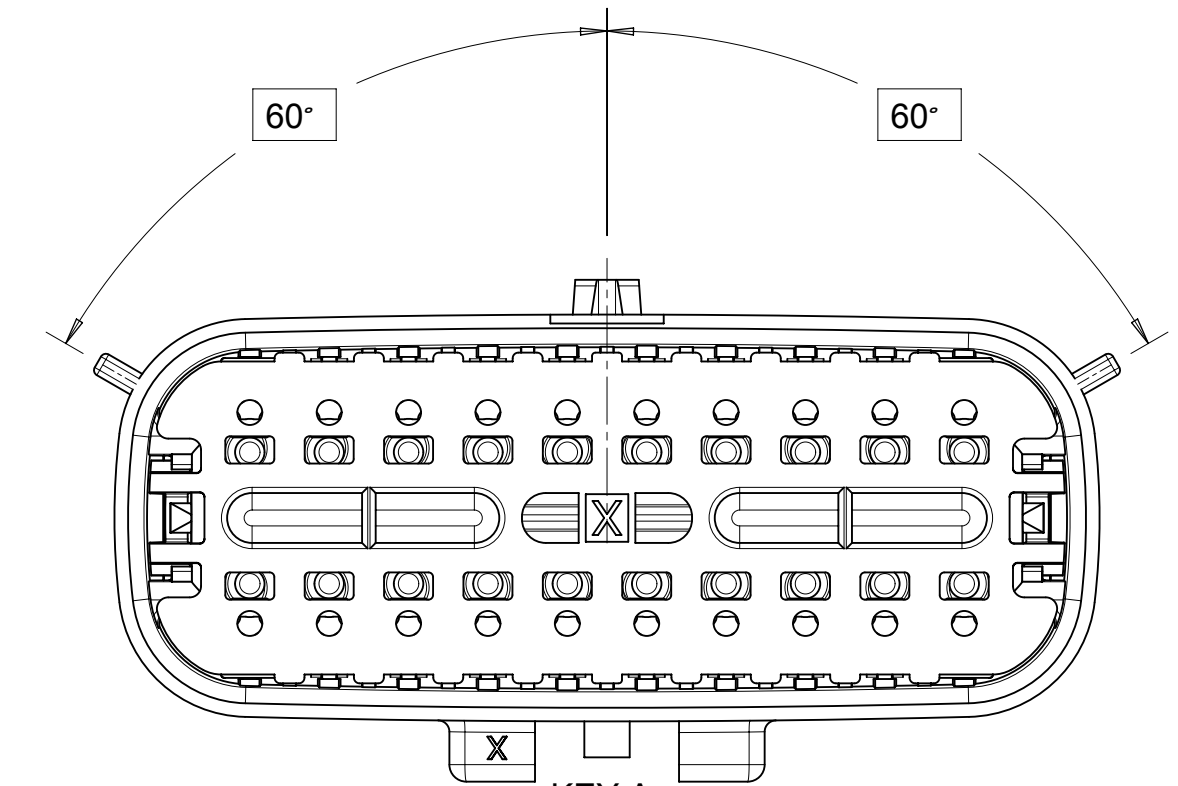


KEY C

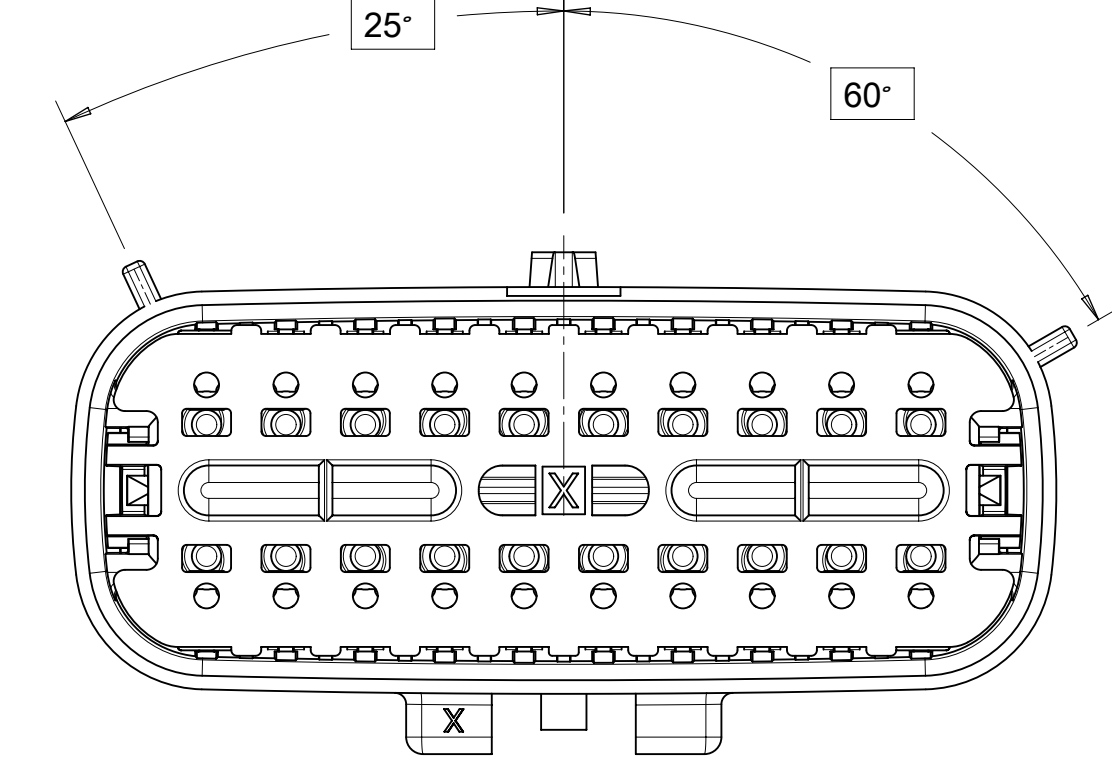


KEY D

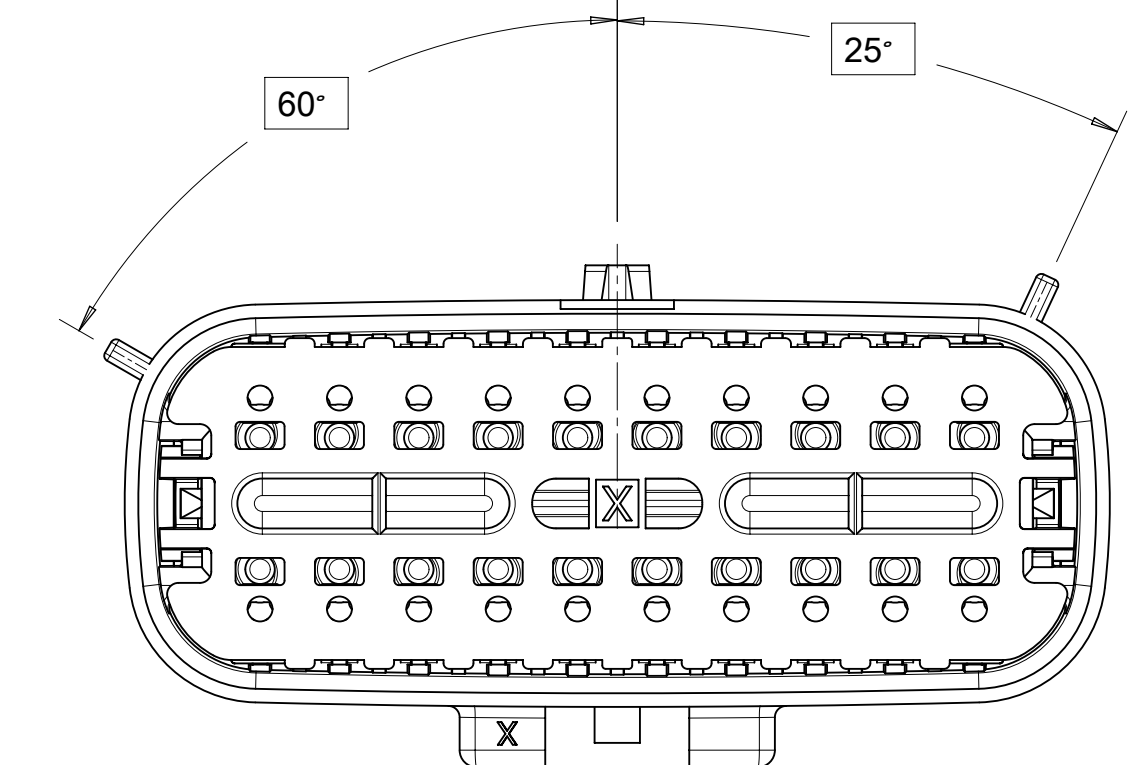
2X10



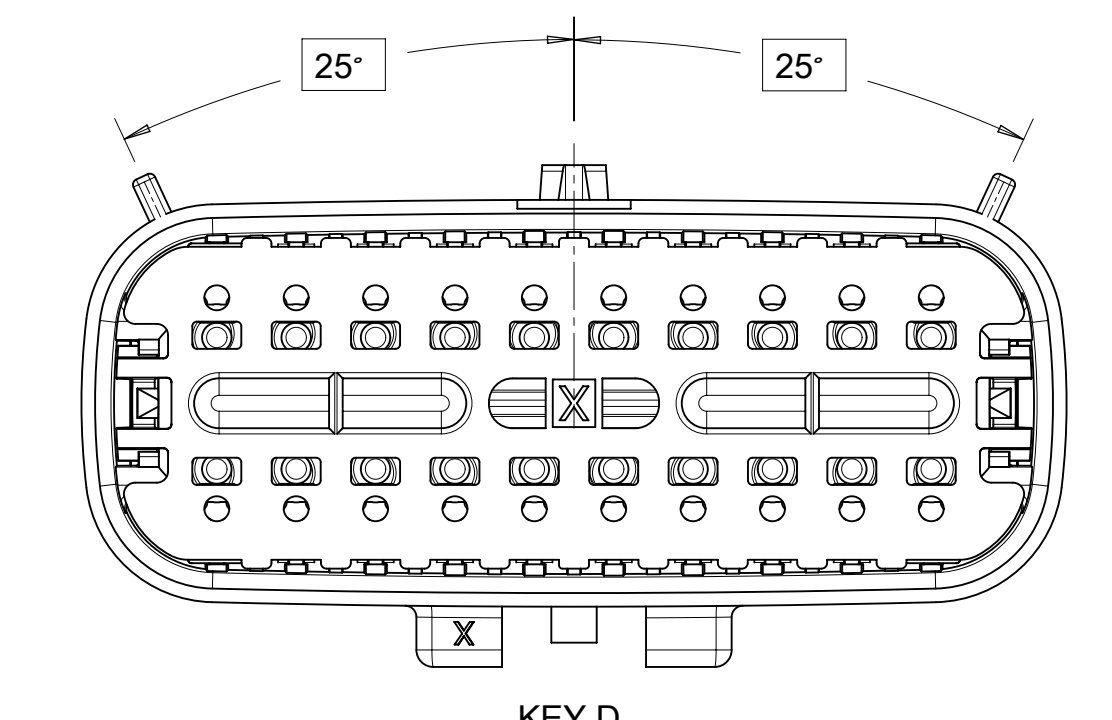
KEY A



KEY B



KEY C

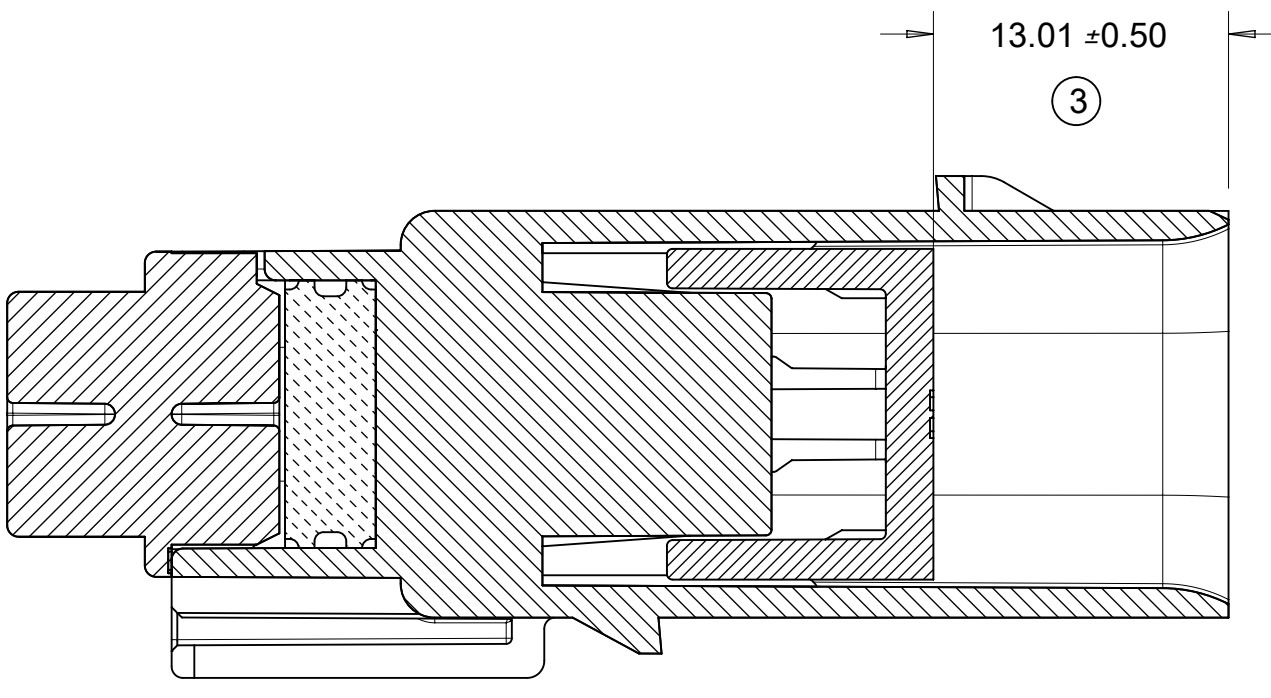
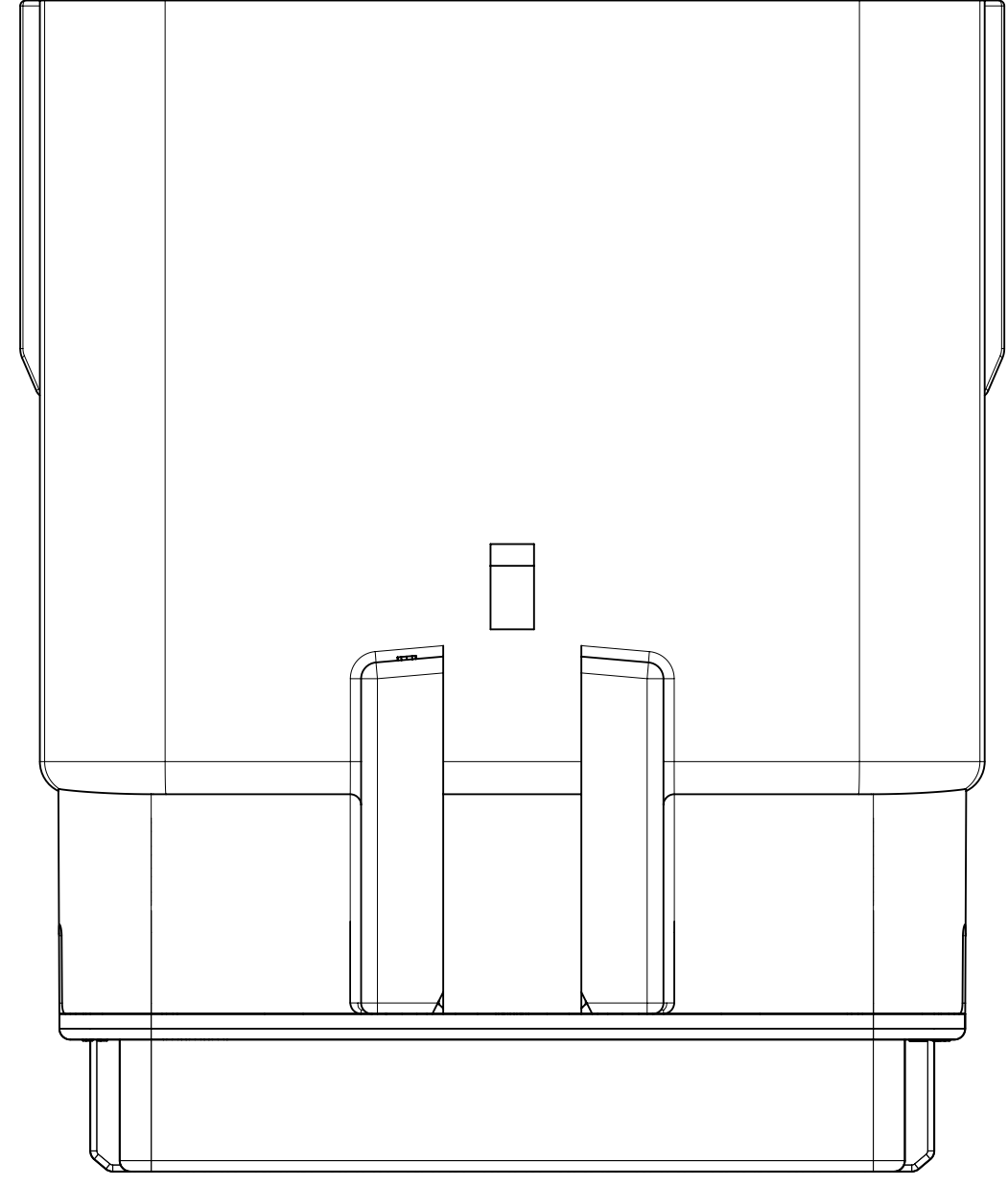
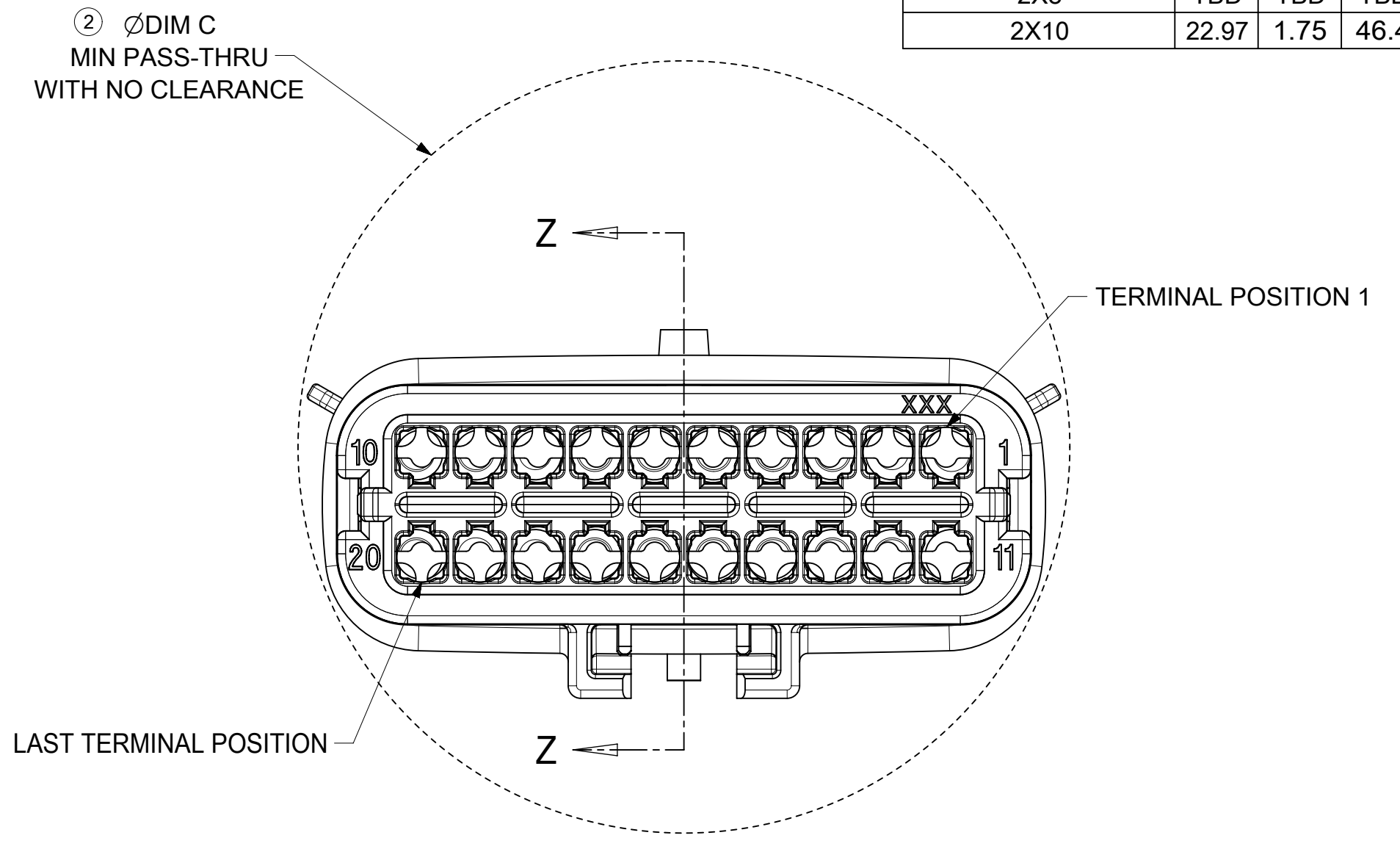
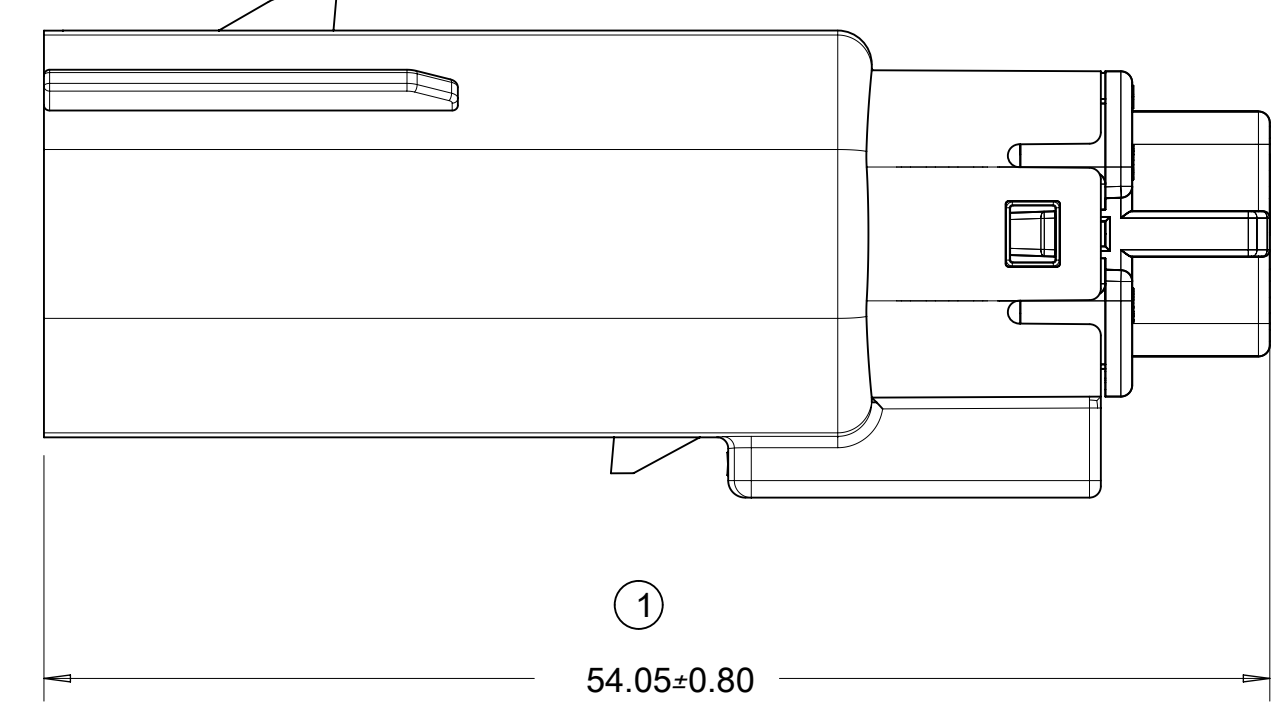
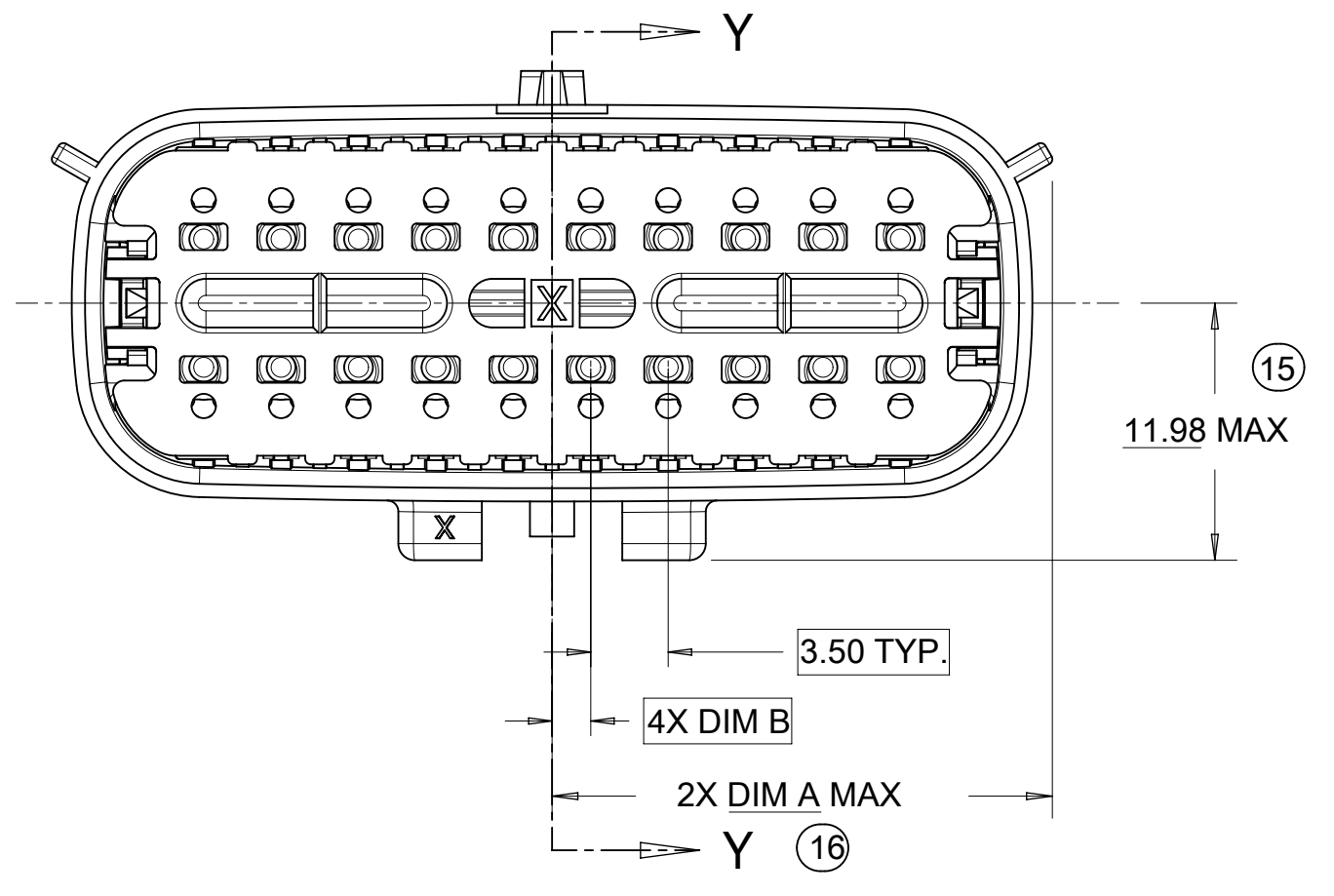
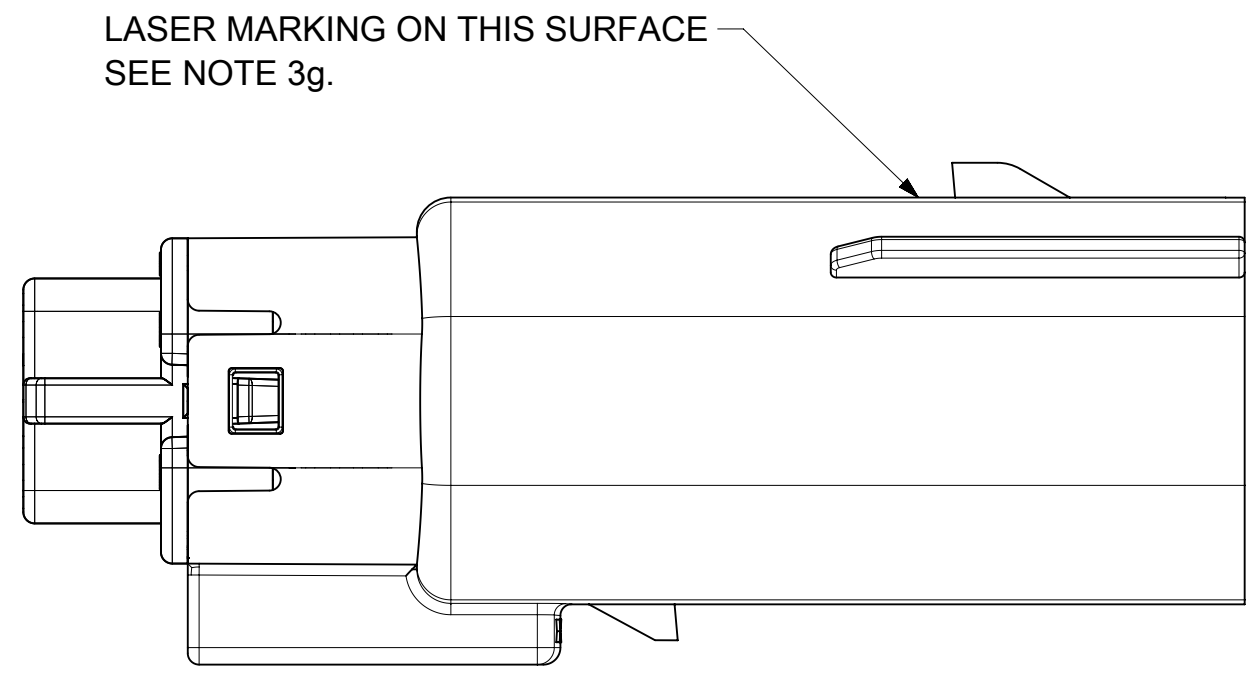


KEY D

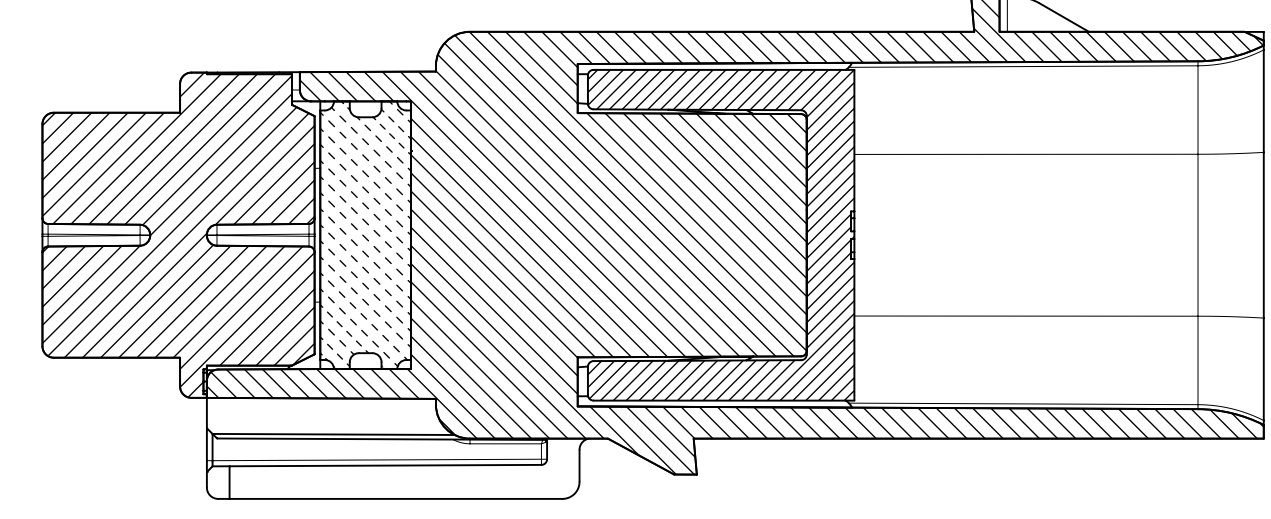
SYMBOLS = 0 = 0 = 0 = 0 = 0 = 0 = 0 = 0 = 0 = 0	THIS DRAWING CONTAINS INFORMATION THAT IS PROPRIETARY TO MOLEX ELECTRONIC TECHNOLOGIES, LLC AND SHOULD NOT BE USED WITHOUT WRITTEN PERMISSION DIMENSION UNITS: mm SCALE: 3:1	CURRENT REV DESC: EC NO: 171650 DRWN: PMANJUNATHAC 2018/01/01 CHK'D: MVANSLAMBROU 2018/02/16 APPR: MVANSLAMBROU 2018/02/16	 MX150 GEN 2 BLADE DUAL ROW SEALED ASSEMBLY MAT SEAL PRODUCT CUSTOMER DRAWING		
	GENERAL TOLERANCES (UNLESS SPECIFIED) ANGULAR TOL ± 3.0° 4 PLACES ± 3 PLACES ± 2 PLACES ± 0.1 1 PLACE ± 0.2 0 PLACES ±	INITIAL REVISION: DRWN: KBORUSZEWSKI 2014/02/19 APPR: VKOSHY 2014/03/05			
DRAFT WHERE APPLICABLE MUST REMAIN WITHIN DIMENSIONS THIRD ANGLE PROJECTION	DRAWING: A1-SIZE SERIES: 160011	MATERIAL NUMBER: _____ CUSTOMER: GENERAL MARKET SHEET NUMBER: 4 OF 11			

SHEET DESCRIPTION	
BLADE CONNECTOR ASSEMBLY	

DESCRIPTION	DIMENSIONS		
	A	B	C
2X2	TBD	TBD	TBD
2X3	TBD	TBD	TBD
2X4	12.46	1.75	27.9
2X6	15.96	1.75	32.7
2X8	TBD	TBD	TBD
2X10	22.97	1.75	46.4



PRIMARY LOCK REINFORCER (PLR) SHOWN
IN PRE-STAGE POSITION
SECTION Z-Z



PRIMARY LOCK REINFORCER (PLR) SHOWN
IN FINAL-LOCK POSITION
SECTION Y-Y

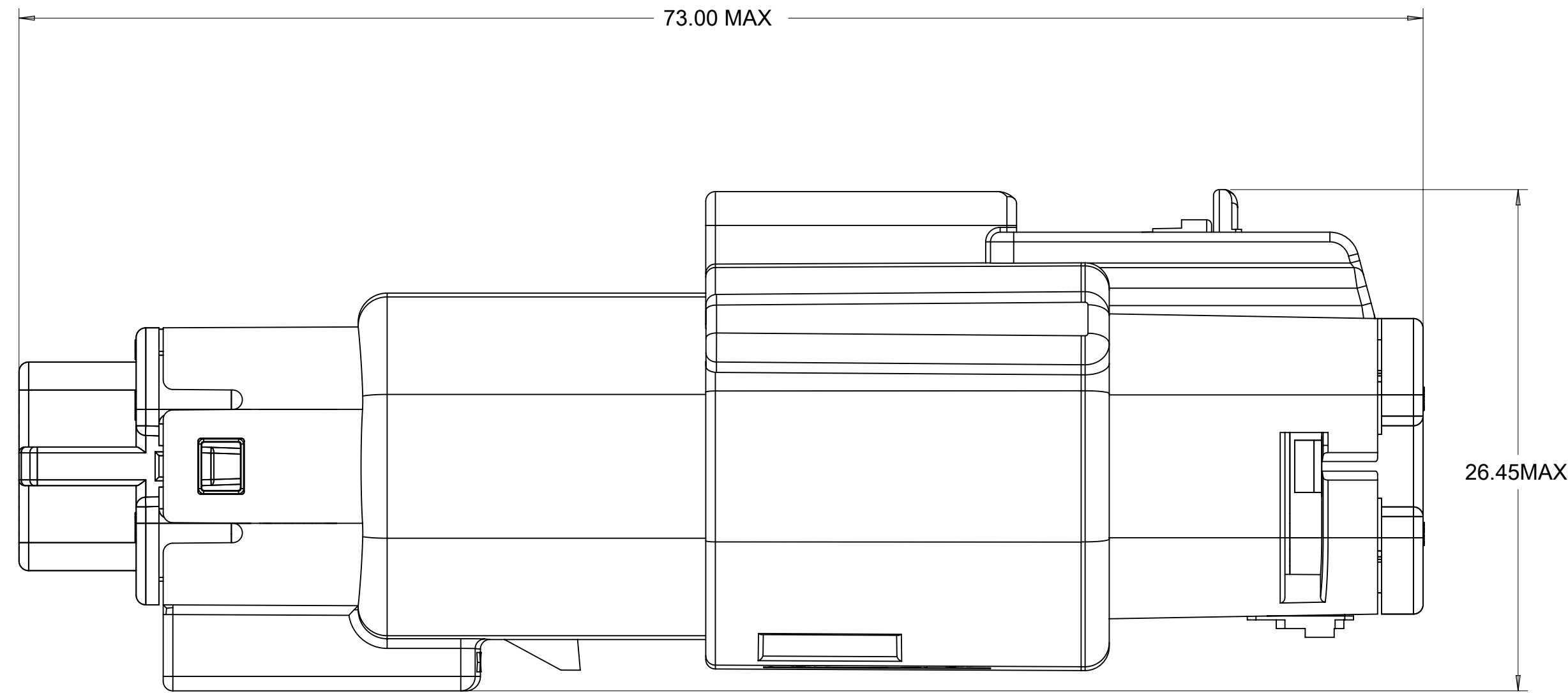
SYMBOLS	THIS DRAWING CONTAINS INFORMATION THAT IS PROPRIETARY TO MOLEX ELECTRONIC TECHNOLOGIES, LLC AND SHOULD NOT BE USED WITHOUT WRITTEN PERMISSION		
	DIMENSION UNITS	SCALE	CURRENT REV DESC:
▽ = 0	mm	3:1	
▽ = 0	GENERAL TOLERANCES (UNLESS SPECIFIED)		
▽ = 0	ANGULAR TOL	± 3.0°	
▽ = 0	4 PLACES	±	EC NO: 171650
▽ = 0	3 PLACES	±	DRWN: PMANJUNATHAC 2018/01/01
▽ = 0	2 PLACES	± 0.1	CHK'D: MVANSLAMBROU 2018/02/16
▽ = 0	1 PLACE	± 0.2	APPR: MVANSLAMBROU 2018/02/16
▽ = 0	0 PLACES	±	INITIAL REVISION:
▽ = 0	DRAFT WHERE APPLICABLE MUST REMAIN WITHIN DIMENSIONS		DRWN: KBORUSZEWSKI 2014/02/19
▽ = 0	THIRD ANGLE PROJECTION		2014/03/05
▽ = 0	DRAWING		
▽ = 0	A1-SIZE		SERIES 160011

			MX150 GEN 2 BLADE DUAL ROW SEALED ASSEMBLY MAT SEAL		
DOCUMENT NUMBER		DOC TYPE	DOC PART	REVISION	
SD-160011-0001		PSD	001	A5	
MATERIAL NUMBER			CUSTOMER		SHEET NUMBER
			GENERAL MARKET		5 OF 11

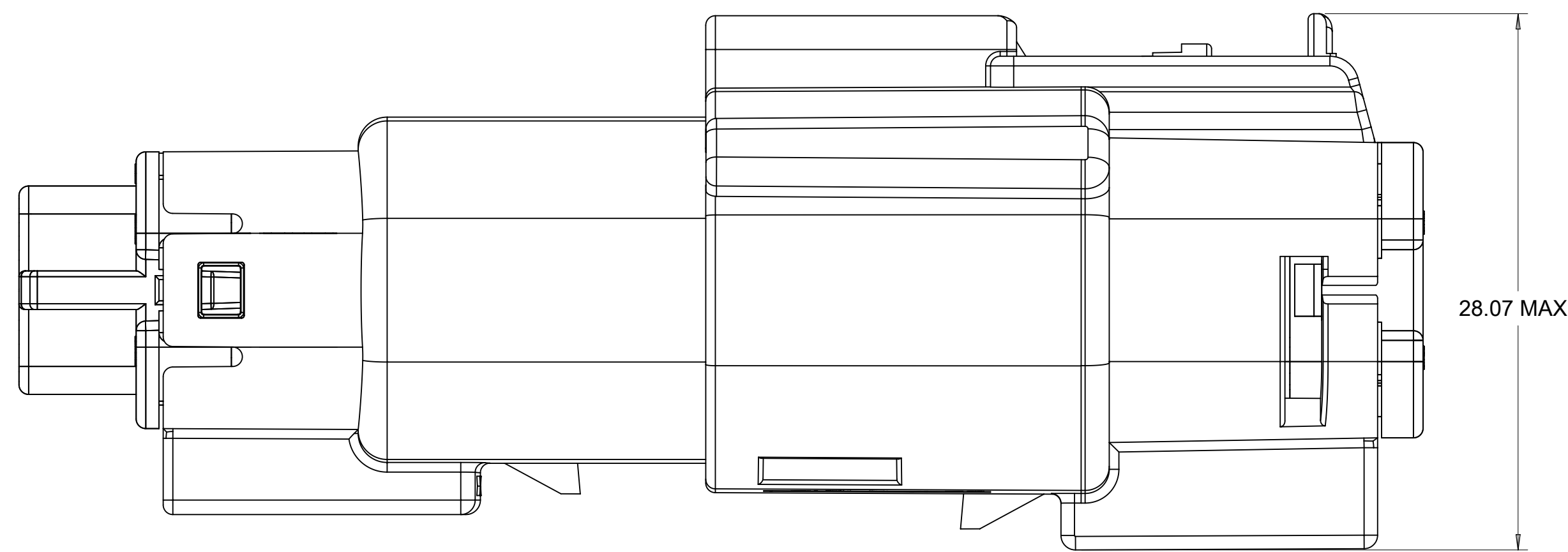
DOCUMENT STATUS	P1	RELEASE DATE	2018/02/16	22:02:24
-----------------	----	--------------	------------	----------

SHEET DESCRIPTION
SYSTEM PACKAGING

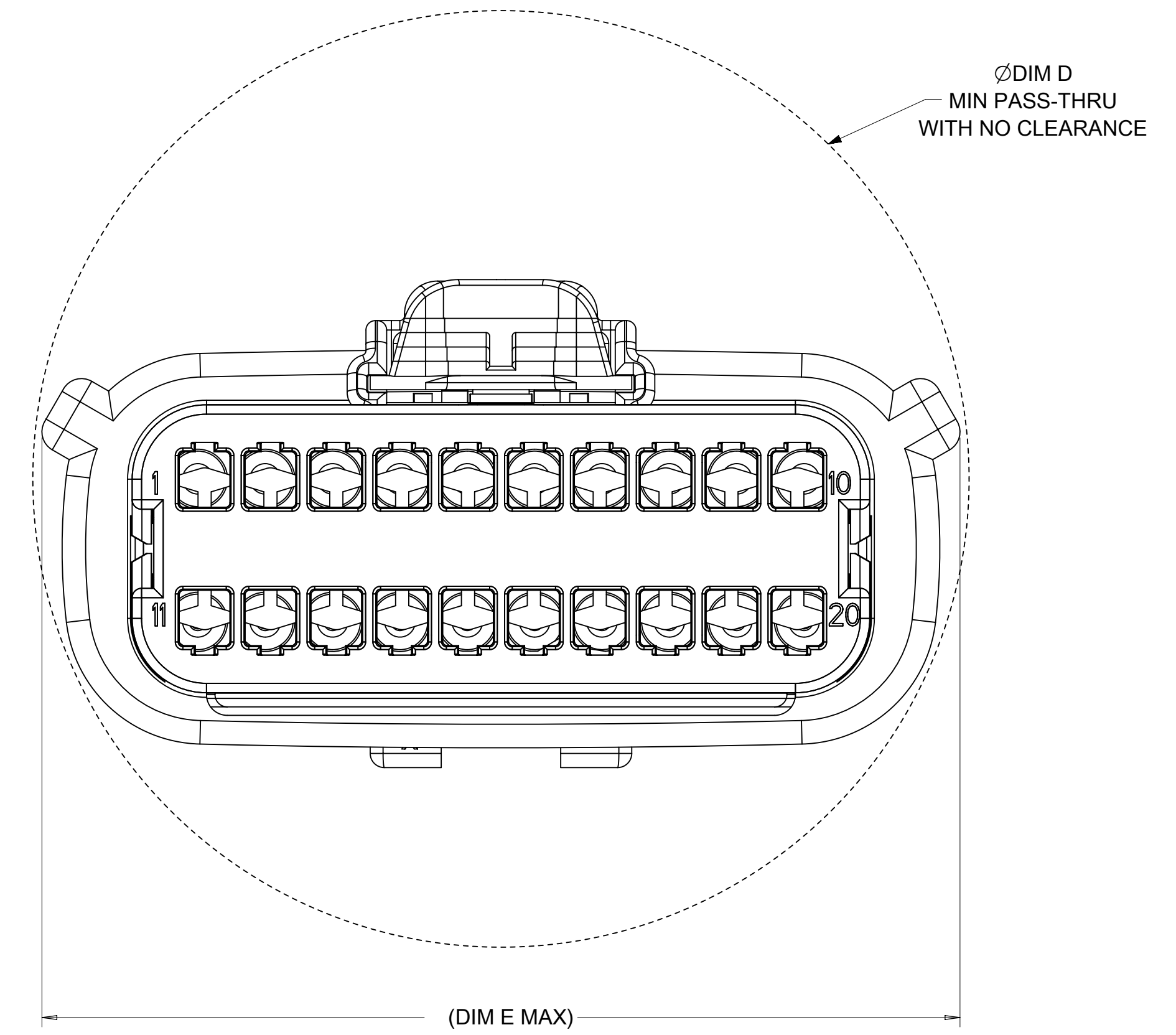
CHARTED DIMENSION				
CKT	BLADE CONFIGURATION	RECEPTACLE CONFIGURATION	DIMENSIONS	
			D	E
2X4	STANDARD	STANDARD	30.1	28.48
		CLIPSLOT	31.1	28.48
2X6	STANDARD	STANDARD	36.3	35.5
		CLIPSLOT	36.3	35.5
2X10	STANDARD	STANDARD	49.8	49.5
		CLIPSLOT	49.8	49.5



STANDARD
RECEPTACLE
HOUSING



WITH CLIPSLOT
RECEPTACLE HOUSING



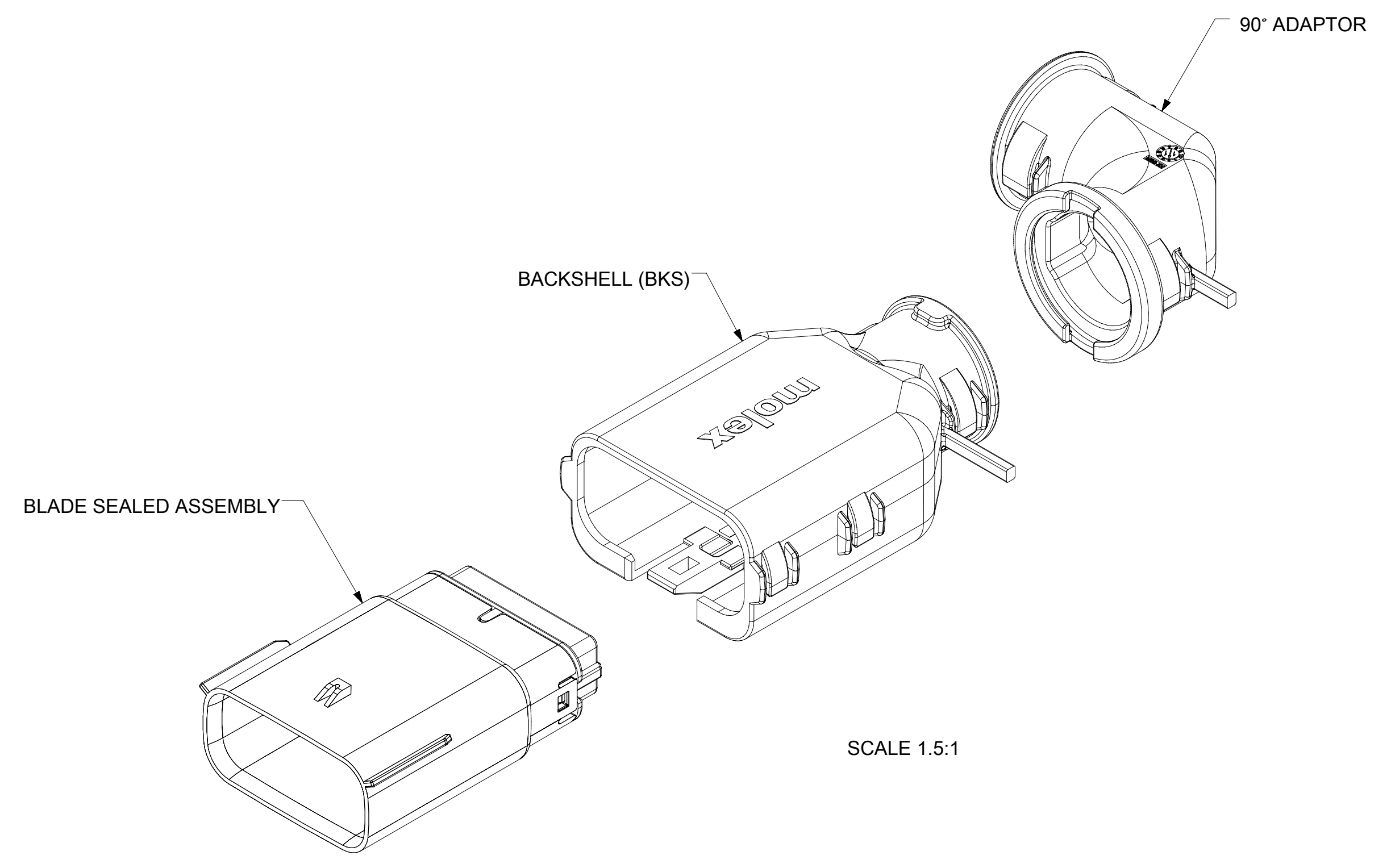
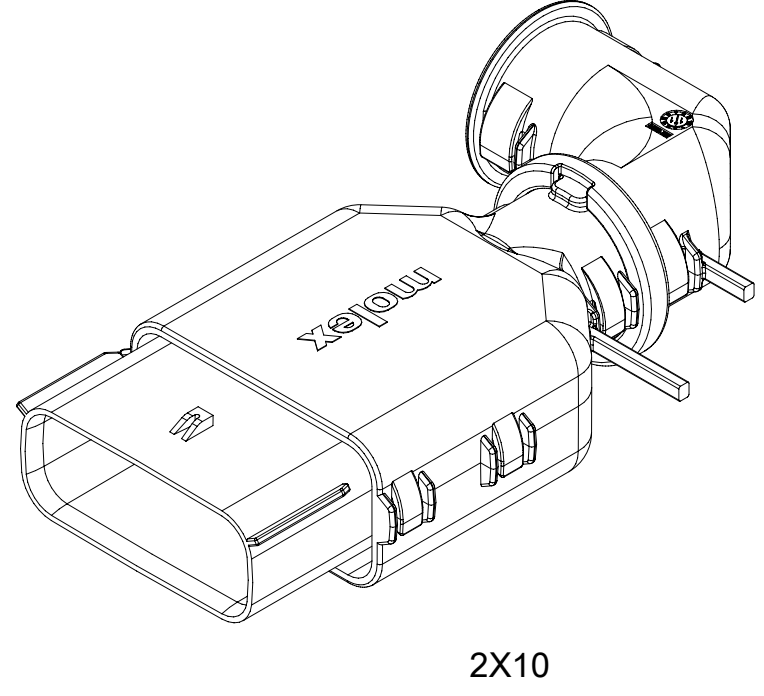
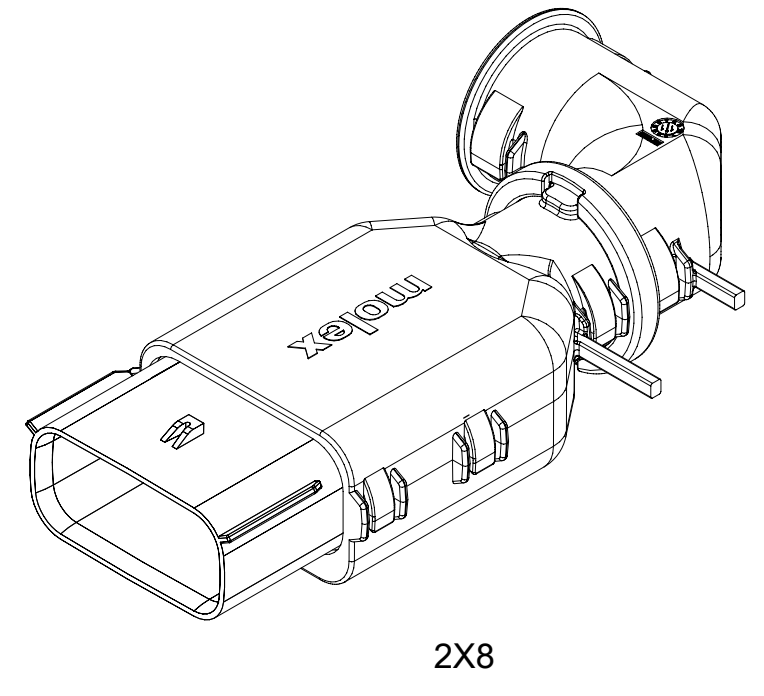
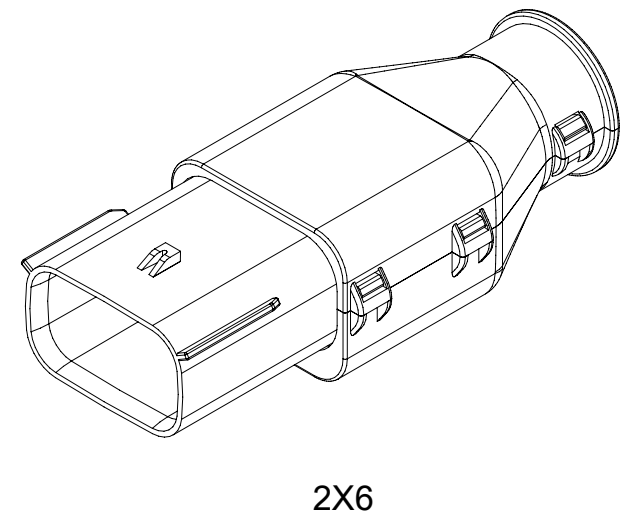
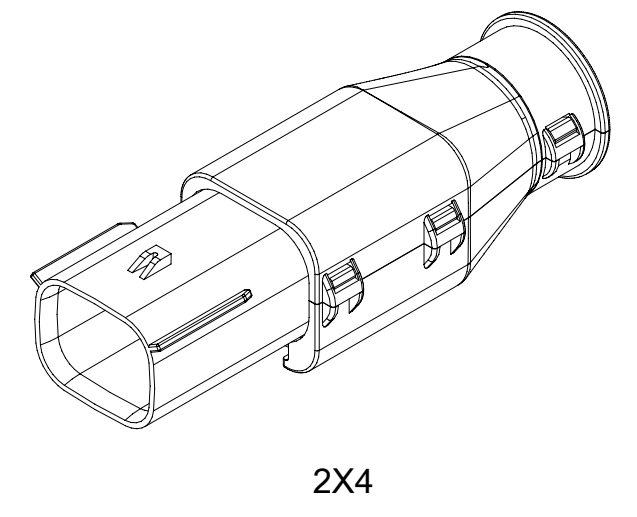
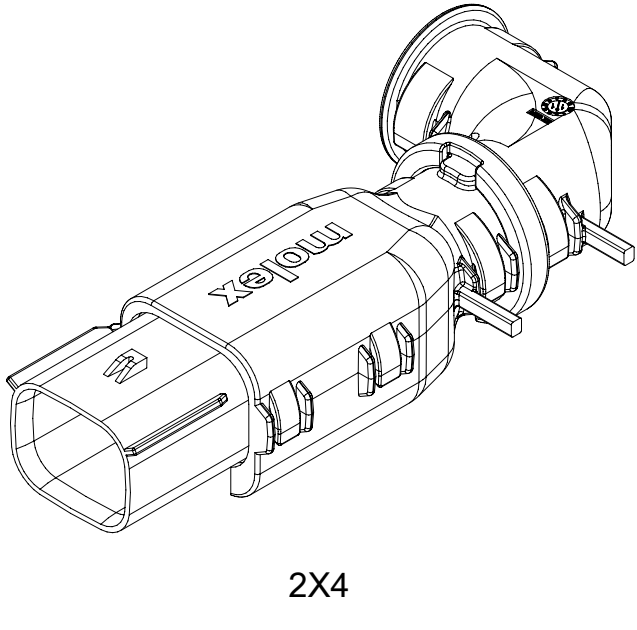
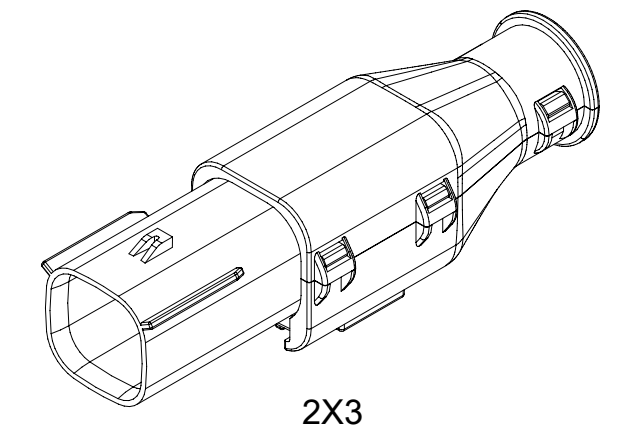
SYMBOLS = 0 = 0 = 0 = 0 = 0 = 0 = 0 = 0 = 0 = 0	THIS DRAWING CONTAINS INFORMATION THAT IS PROPRIETARY TO MOLEX ELECTRONIC TECHNOLOGIES, LLC AND SHOULD NOT BE USED WITHOUT WRITTEN PERMISSION DIMENSION UNITS: mm SCALE: 4:1	CURRENT REV DESC: EC NO: 171650 DRWN: PMANJUNATHAC 2018/01/01 CHK'D: MVANSLAMBROU 2018/02/16 APPR: MVANSLAMBROU 2018/02/16			
	GENERAL TOLERANCES (UNLESS SPECIFIED) ANGULAR TOL ± 3.0°	INITIAL REVISION: DRWN: KBORUSZEWSKI 2014/02/19 APPR: VKOSHY 2014/03/05	PRODUCT CUSTOMER DRAWING		
	4 PLACES ± 3 PLACES ± 2 PLACES ± 0.1 1 PLACE ± 0.2 0 PLACES ±	THIRD ANGLE PROJECTION 	DRAWING: A1-SIZE SERIES: 160011	DOCUMENT NUMBER: SD-160011-0001	DOC TYPE: PSD DOC PART: 001 REVISION: A5
	DRAFT WHERE APPLICABLE MUST REMAIN WITHIN DIMENSIONS	MATERIAL NUMBER: CUSTOMER: GENERAL MARKET	SHEET NUMBER: 6 OF 11		

BACKSHELL NOTES: VALID UNLESS OTHERWISE SPECIFIED

1. GENERAL:
a. APPLICATION SPECIFICATION SEE: AS-34951-001
-DESIGNED TO MATE WITH BLADE SEALED ASSEMBLY
-SPECIFIED IN MOLEX DRAWING SD-33482-0001
-SYSTEM TO BE USED WITH WIRE WITHIN DIAMETER RANGE OF 1.2mm TO 2.69mm
-COMPONENTS ARE OPTIONAL AND MUST BE PURCHASED SEPERATELY
-DESIGN IS OWNED BY SCHLEMMER FOR SCHLEMMER BACKSHELL.
-DESIGN IS OWNED BY MOLEX FOR MOLEX BACKSHELL.
-90° ADAPTOR DESIGN IS OWNED BY MOLEX.
-FOR ADDITIONAL INFORMATION SEE THE BACKSHELL COMPONENT DRAWING SD-34950-0001

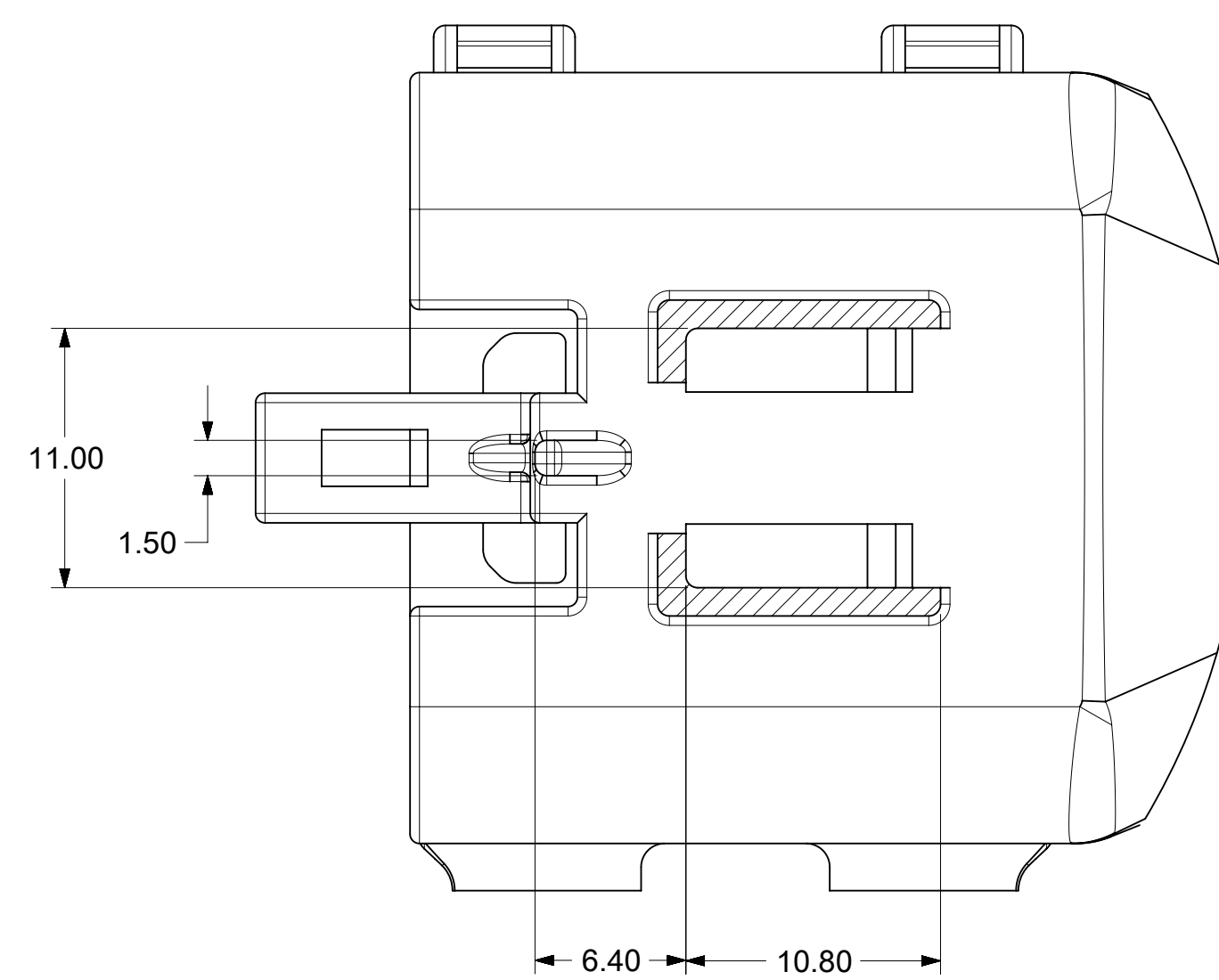
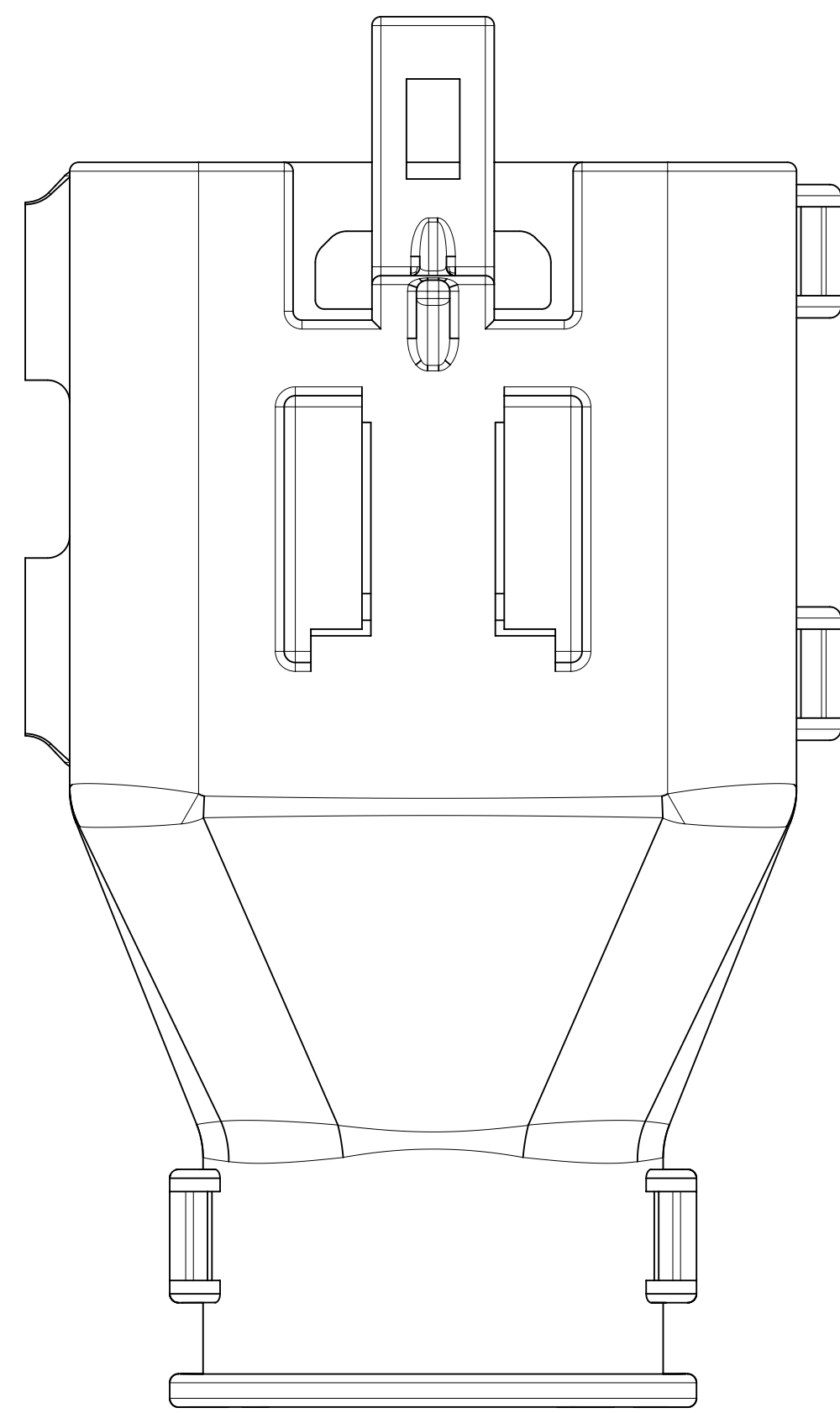
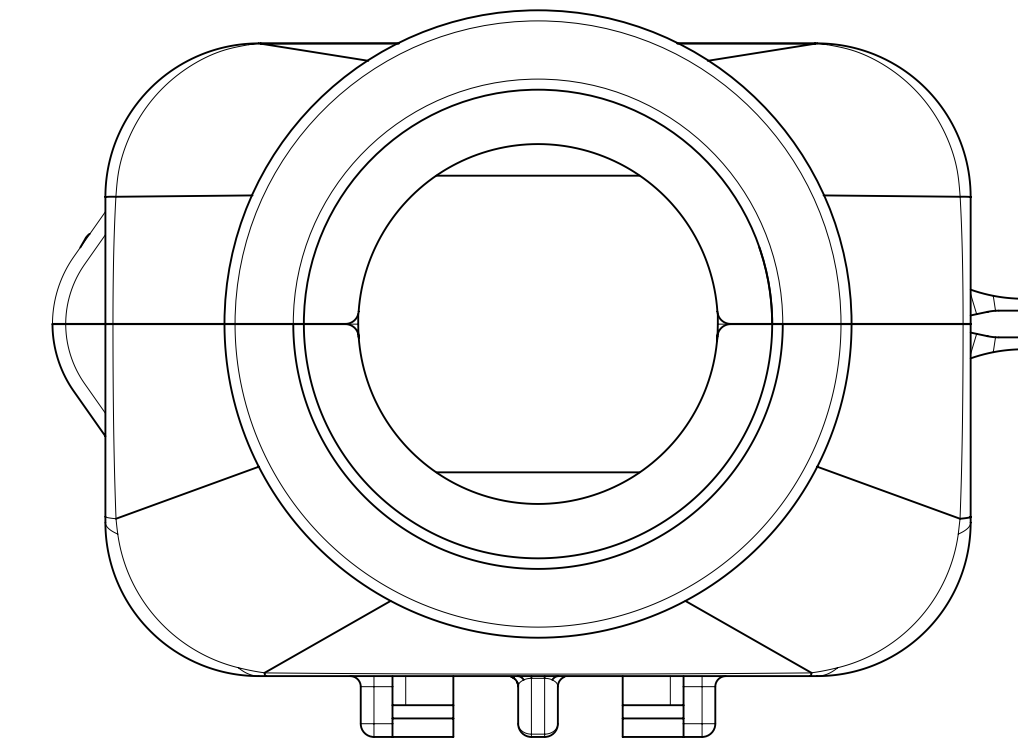
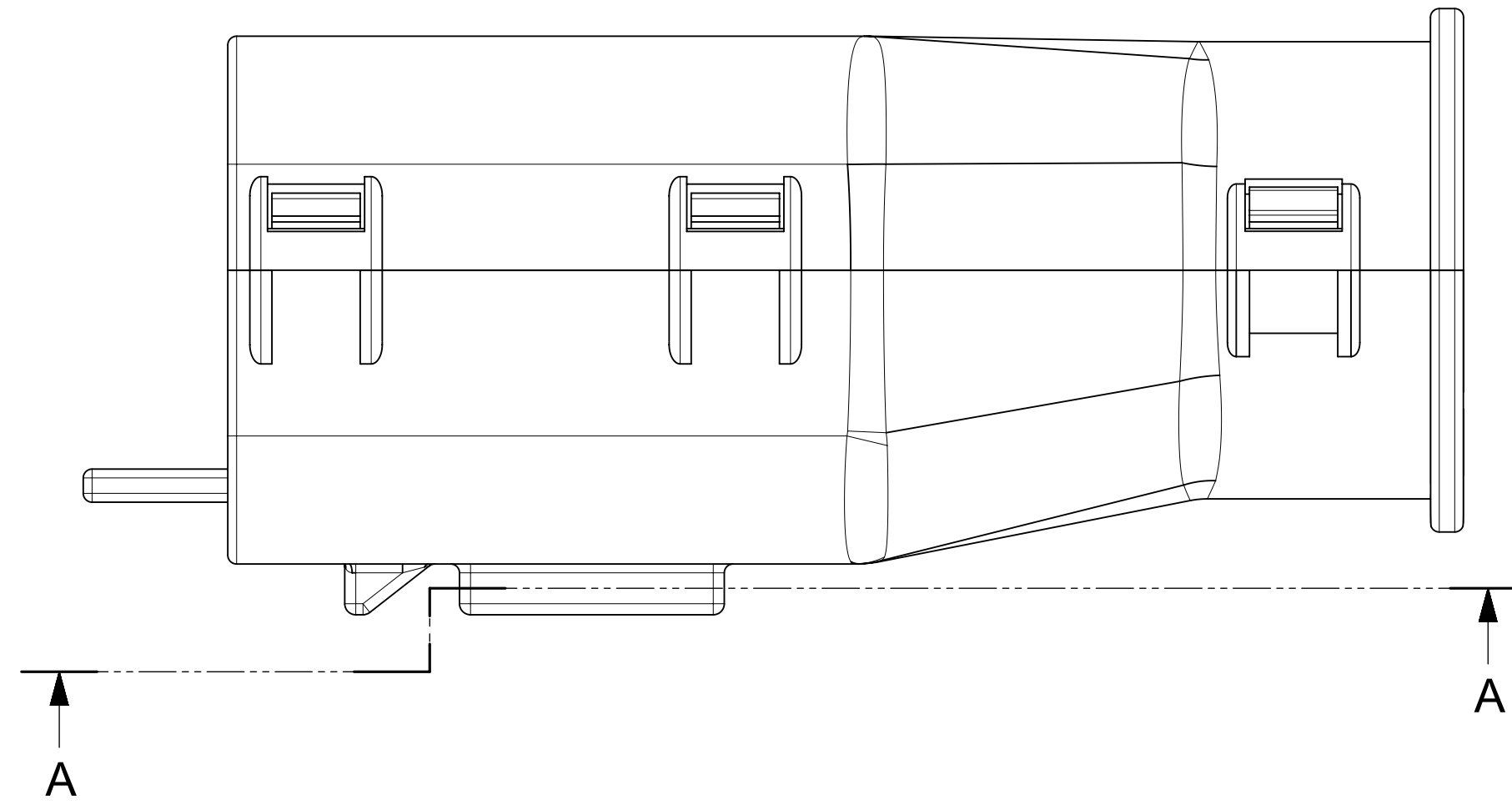
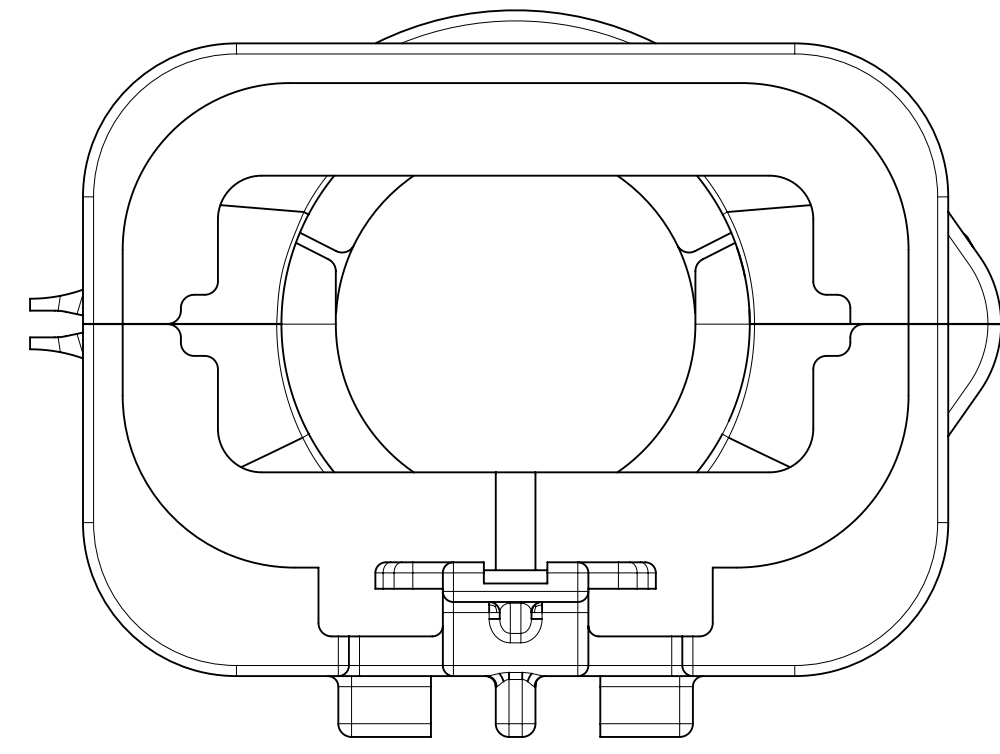
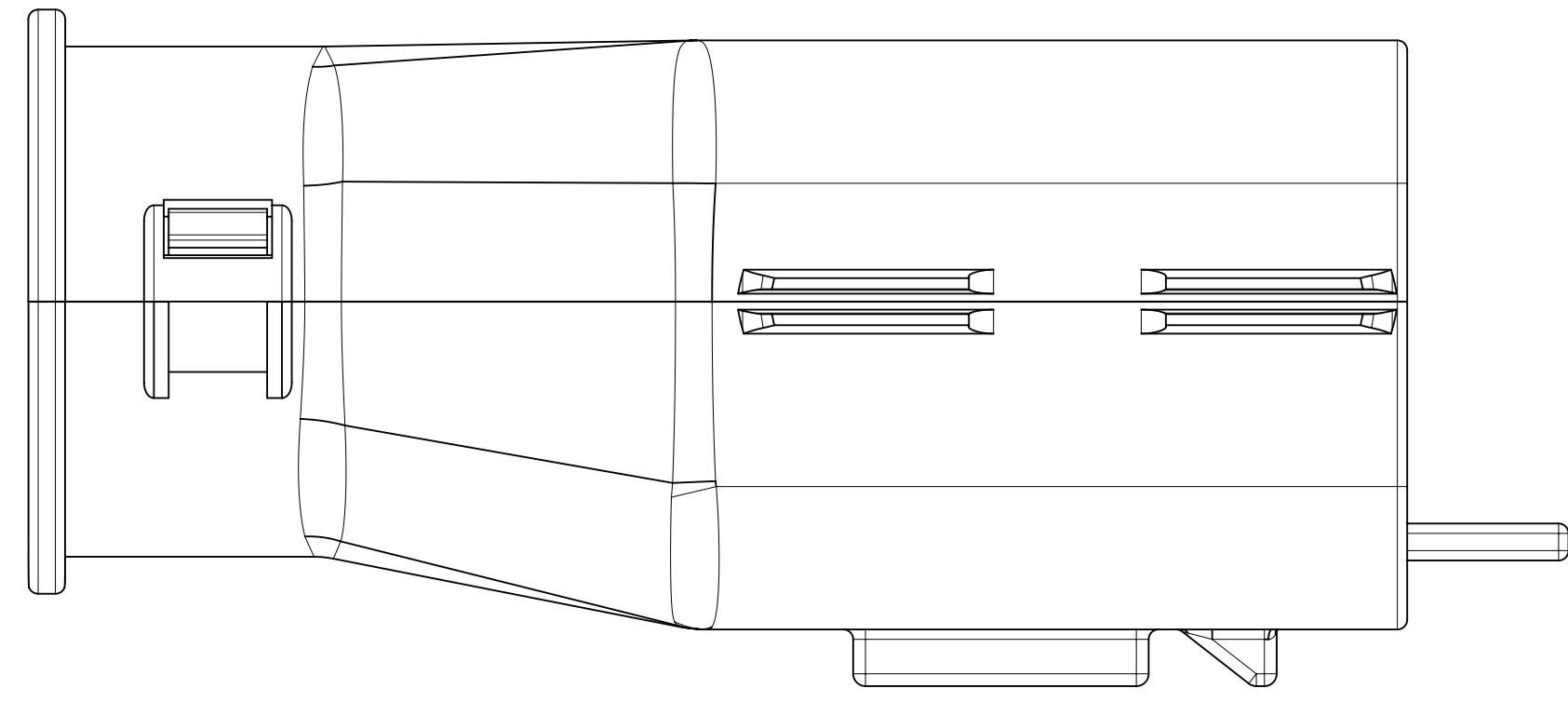
BACKSHELL CUSTOMER MODEL NUMBER LEGEND

- 34950-XXXX
- CUSTOMER MODEL COMPONENTS
 - 0 - SCHLEMMER BACKSHELL ONLY
 - 1 - SCHLEMMER BACKSHELL & MX150 HOUSING KEY A ASSEMBLY
 - 2 - SCHLEMMER BACKSHELL & MX150 HOUSING KEY B ASSEMBLY
 - 3 - SCHLEMMER BACKSHELL & MX150 HOUSING KEY C ASSEMBLY
 - 4 - SCHLEMMER BACKSHELL & MX150 HOUSING KEY D ASSEMBLY
 - 5 - MOLEX BACKSHELL ONLY
 - 6 - MOLEX BACKSHELL & MX150 HOUSING KEY A ASSEMBLY
 - 7 - MOLEX BACKSHELL & MX150 HOUSING KEY B ASSEMBLY
 - 8 - MOLEX BACKSHELL & MX150 HOUSING KEY C ASSEMBLY
 - 9 - MOLEX BACKSHELL & MX150 HOUSING KEY D ASSEMBLY
- BACKSHELL FEATURES
 - 1 - WITH RIBS
 - 2 - WITHOUT RIBS
 - 3 - 90° ADAPTOR
- MX150 CIRCUIT SIZE 04, 06, 08, 12, 16, 20



SYMBOLS		THIS DRAWING CONTAINS INFORMATION THAT IS PROPRIETARY TO MOLEX ELECTRONIC TECHNOLOGIES, LLC AND SHOULD NOT BE USED WITHOUT WRITTEN PERMISSION		CURRENT REV DESC:					
		DIMENSION UNITS	SCALE						
▽ = 0	mm	1.5:1				MX150 GEN 2 BLADE DUAL ROW SEALED ASSEMBLY MAT SEAL			
▽ = 0	GENERAL TOLERANCES (UNLESS SPECIFIED)								
▽ = 0	ANGULAR TOL ± 3.0°					PRODUCT CUSTOMER DRAWING			
▽ = 0	4 PLACES	±							
▽ = 0	3 PLACES	±				DOCUMENT NUMBER: SD-160011-0001 DOC TYPE: PSD DOC PART: 001 REVISION: A5			
▽ = 0	2 PLACES	± 0.1							
▽ = 0	1 PLACE	± 0.2				MATERIAL NUMBER: CUSTOMER: GENERAL MARKET SHEET NUMBER: 7 OF 11			
▽ = 0	0 PLACES	±							
▽ = 0	DRAFT WHERE APPLICABLE MUST REMAIN WITHIN DIMENSIONS		THIRD ANGLE PROJECTION	DRAWING	SERIES				
▽ = 0				A1-SIZE	160011				

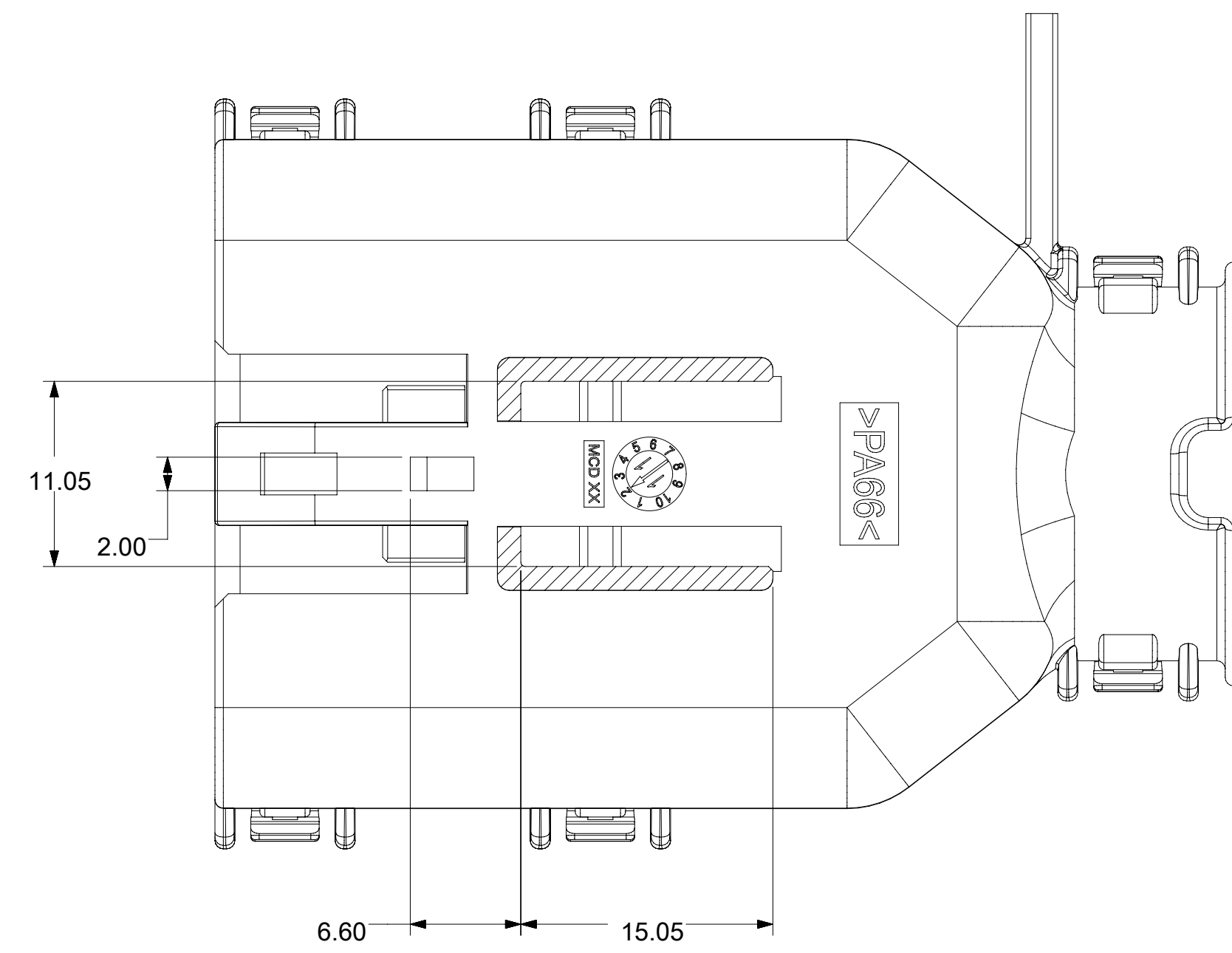
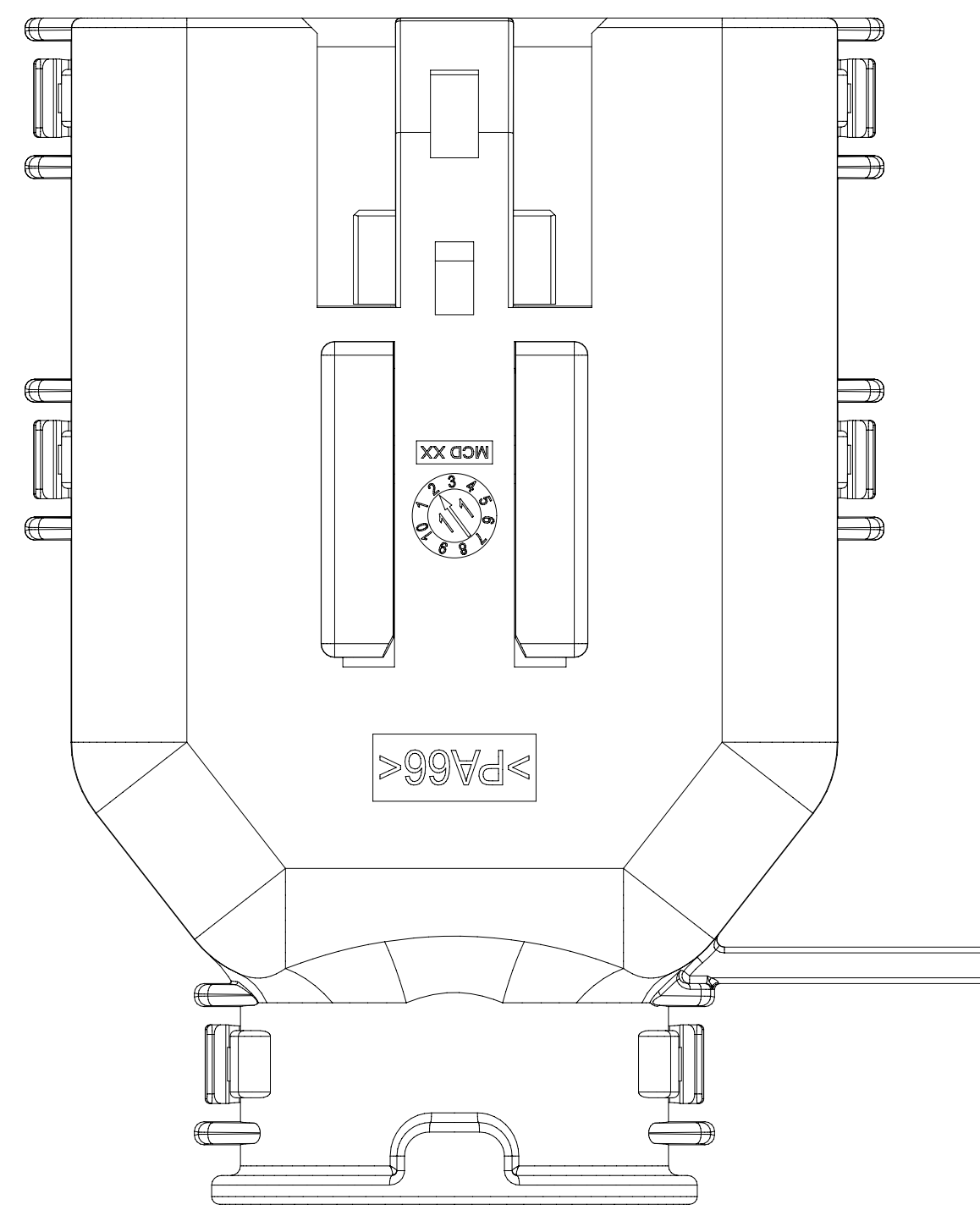
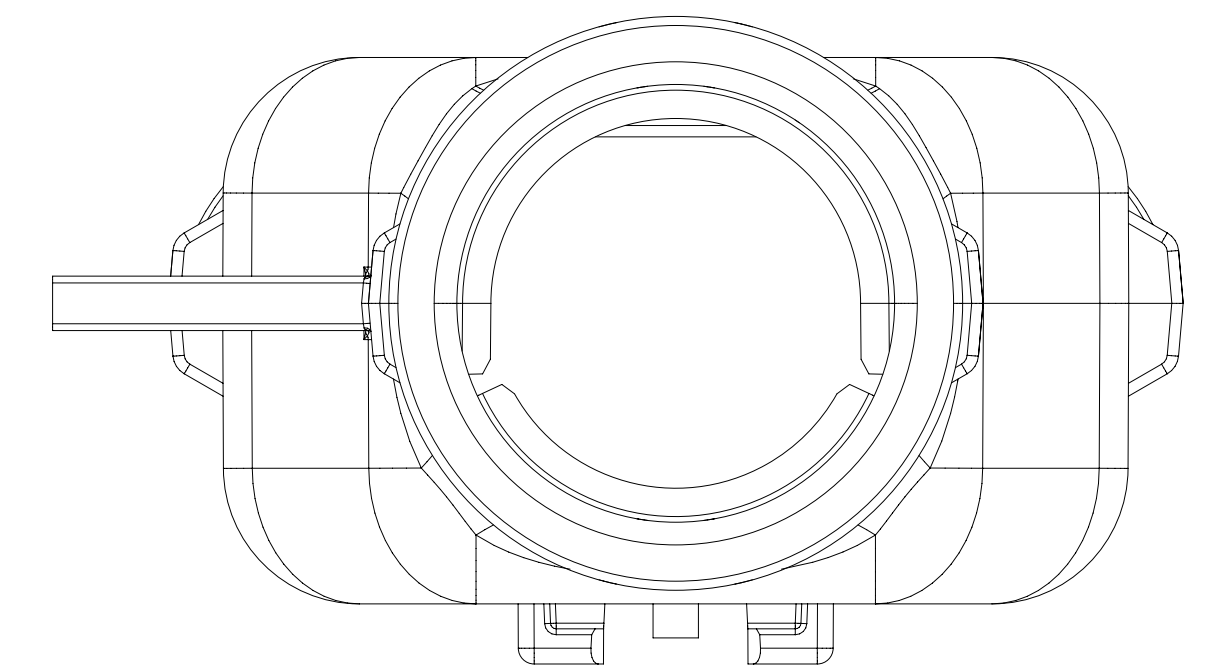
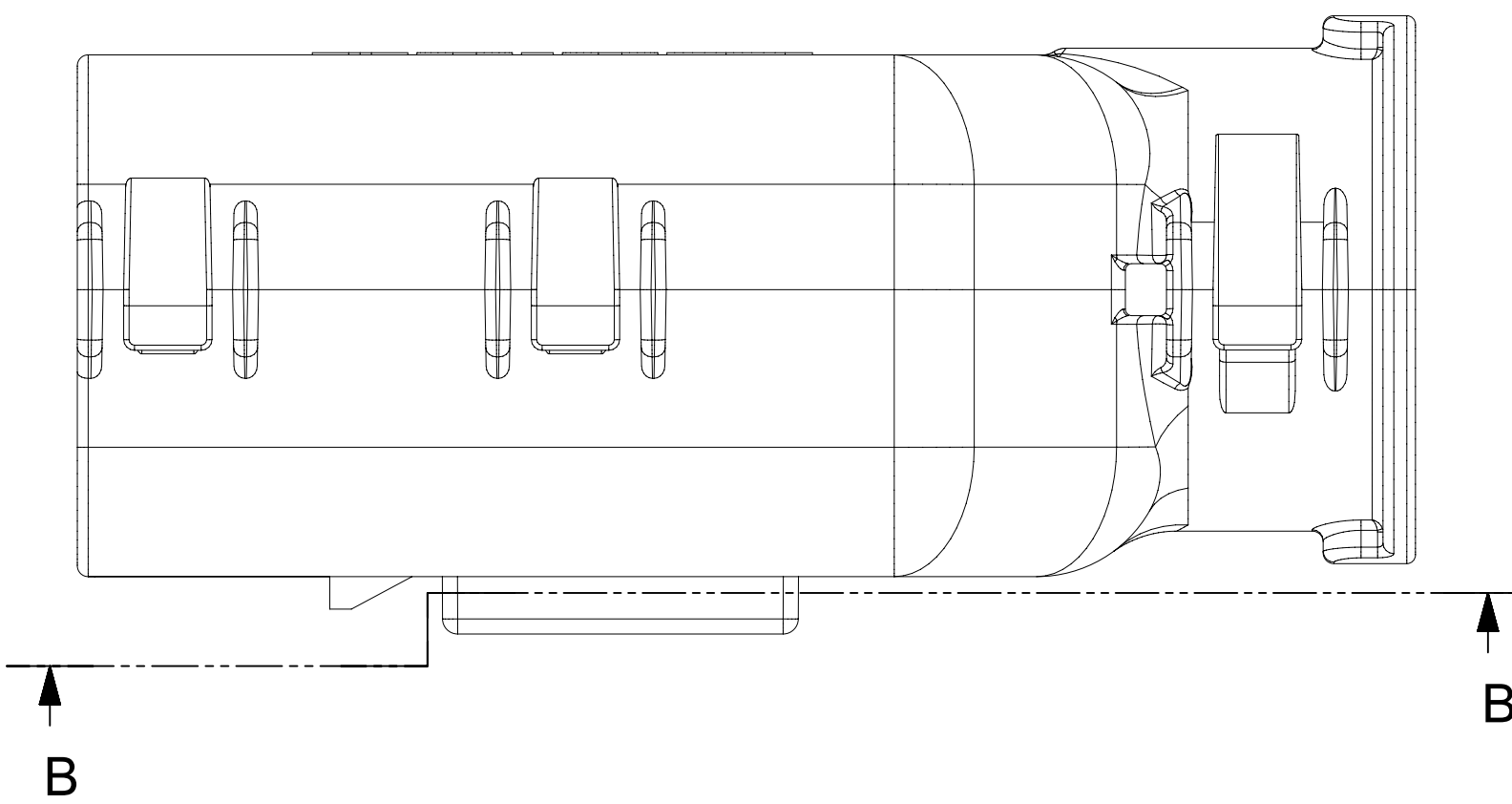
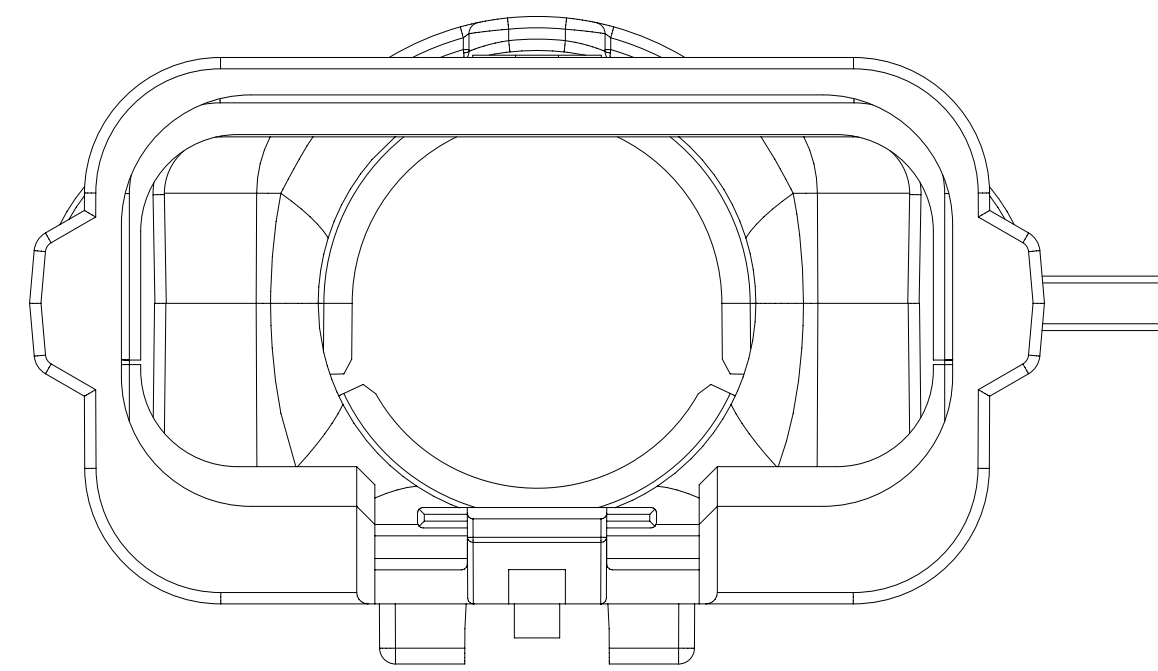
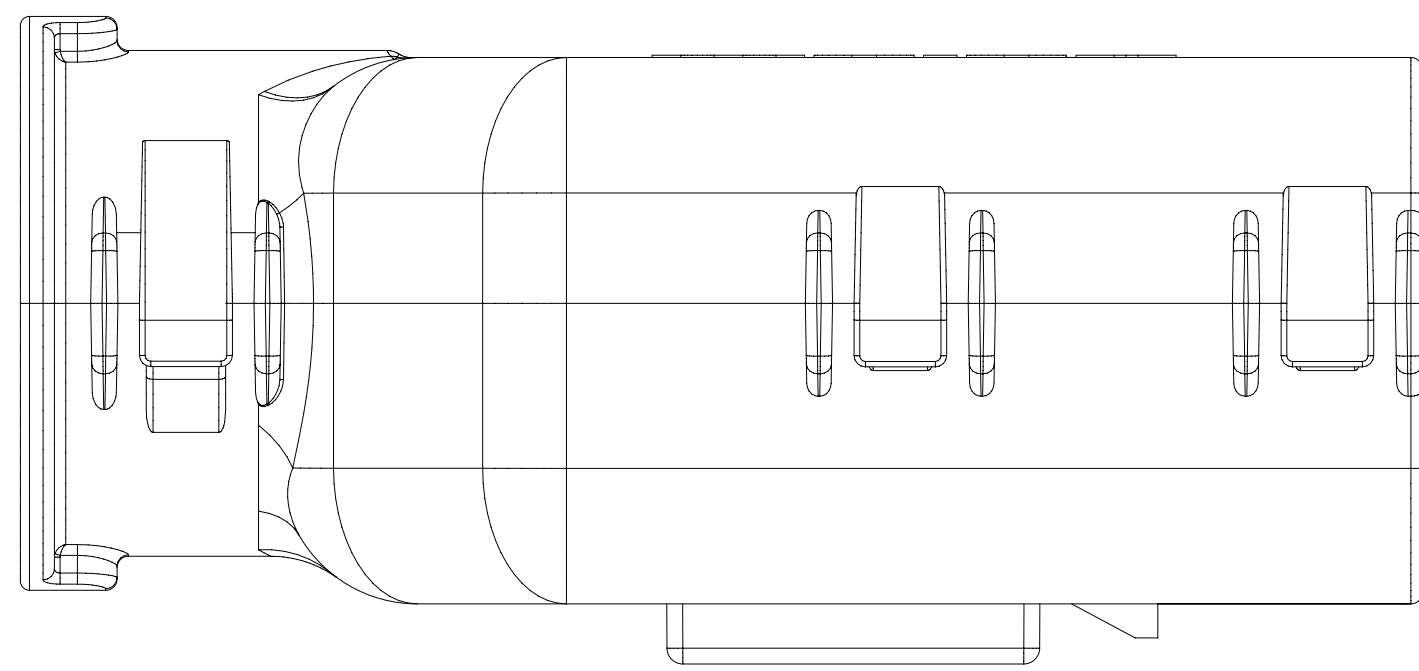
SHEET DESCRIPTION
SCHLEMMER BACKSHELL



Partial A-A
SCALE 7:2

SYMBOLS		THIS DRAWING CONTAINS INFORMATION THAT IS PROPRIETARY TO MOLEX ELECTRONIC TECHNOLOGIES, LLC AND SHOULD NOT BE USED WITHOUT WRITTEN PERMISSION		CURRENT REV DESC:			
DIMENSION UNITS	SCALE	EC NO:		SERIES		MATERIAL NUMBER	
▽ = 0	mm	3.5:1		171650		160011	
▽ = 0	GENERAL TOLERANCES (UNLESS SPECIFIED)		DRWN: PMANJUNATHAC		2018/01/01		molex MX150 GEN 2 BLADE DUAL ROW SEALED ASSEMBLY MAT SEAL PRODUCT CUSTOMER DRAWING
▽ = 0	ANGULAR TOL ± 3.0°		CHK'D: MVANSLAMBROU		2018/02/16		
▽ = 0	4 PLACES ±		APPR: MVANSLAMBROU		2018/02/16		
▽ = 0	3 PLACES ±		INITIAL REVISION:		DRWN: KBORUSZEWSKI		DOCUMENT NUMBER SD-160011-0001
▽ = 0	2 PLACES ± 0.1		2014/02/19		2014/03/05		
▽ = 0	1 PLACE ± 0.2		APPR: VKOSHY		2018/02/16		
▽ = 0	0 PLACES ±		DRAFT WHERE APPLICABLE MUST REMAIN WITHIN DIMENSIONS		THIRD ANGLE PROJECTION		DOC TYPE DOC PART REVISION PSD 001 A5
▽ = 0	DRAFT WHERE APPLICABLE MUST REMAIN WITHIN DIMENSIONS		DRAWING		CUSTOMER		SHEET NUMBER GENERAL MARKET 8 OF 11

SHEET DESCRIPTION	
MOLEX BACKSHELL	



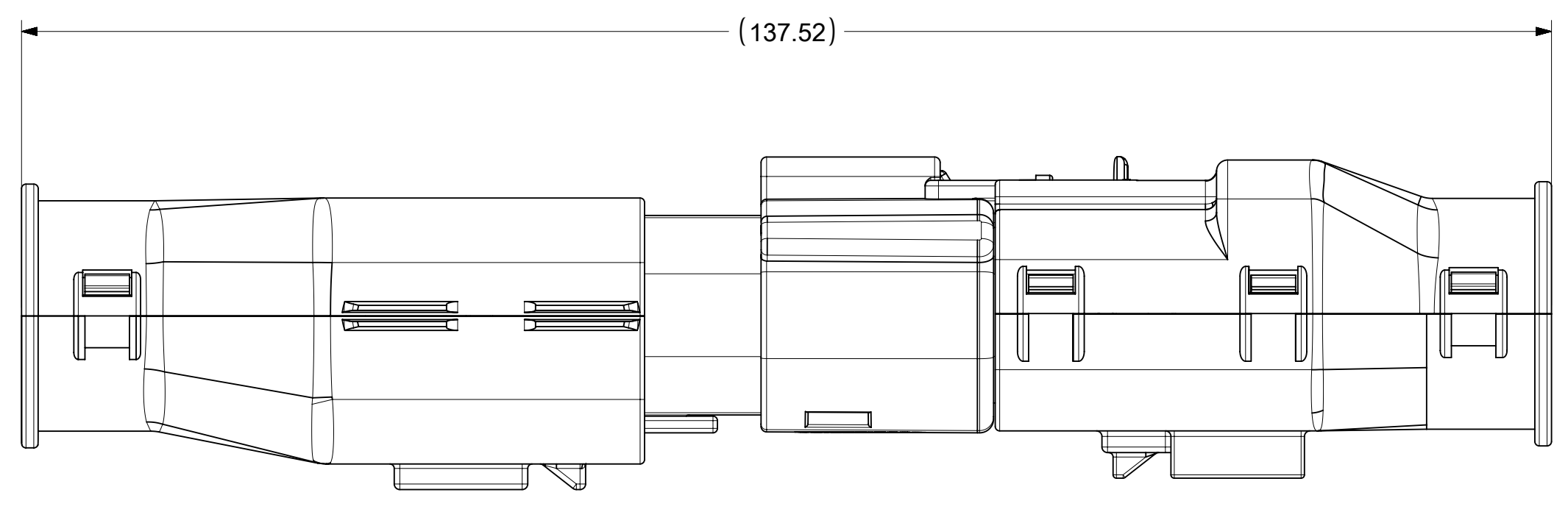
SECTION B-B

SYMBOLS = 0 = 0 = 0 = 0 = 0 = 0 = 0 = 0 = 0 = 0 = 0 = 0 = 0 = 0 = 0	THIS DRAWING CONTAINS INFORMATION THAT IS PROPRIETARY TO MOLEX ELECTRONIC TECHNOLOGIES, LLC AND SHOULD NOT BE USED WITHOUT WRITTEN PERMISSION		CURRENT REV DESC: EC NO: 171650 DRWN: PMANJUNATHAC 2018/01/01 CHK'D: MVANSLAMBROU 2018/02/16 APPR: MVANSLAMBROU 2018/02/16 INITIAL REVISION: DRWN: KBORUSZEWSKI 2014/02/19 APPR: VKOSHY 2014/03/05			 MX150 GEN 2 BLADE DUAL ROW SEALED ASSEMBLY MAT SEAL		
	DIMENSION UNITS	SCALE						
	mm	1:1	SD-160011-0001		PSD	001	A5	
	GENERAL TOLERANCES (UNLESS SPECIFIED)	ANGULAR TOL ± 3.0°	PRODUCT CUSTOMER DRAWING		CUSTOMER			
4 PLACES ±	2 PLACES ± 0.1	MATERIAL NUMBER		GENERAL MARKET		SHEET NUMBER		
3 PLACES ±	1 PLACE ± 0.2	160011		A1-SIZE		9 OF 11		
2 PLACES ±	0 PLACES ±	SERIES		THIRD ANGLE PROJECTION				
1 PLACE ±	DRAFT WHERE APPLICABLE MUST REMAIN WITHIN DIMENSIONS	DRAWING		DRAWING				
0 PLACES ±		160011		DRAWING				

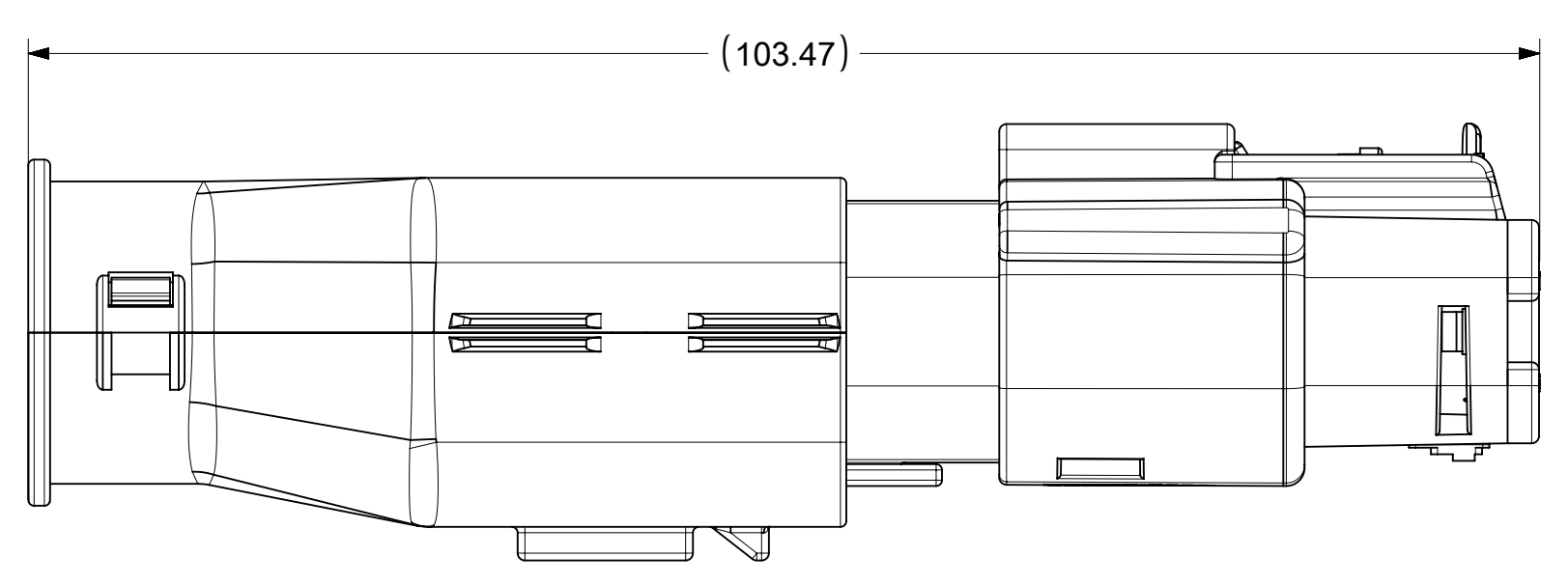
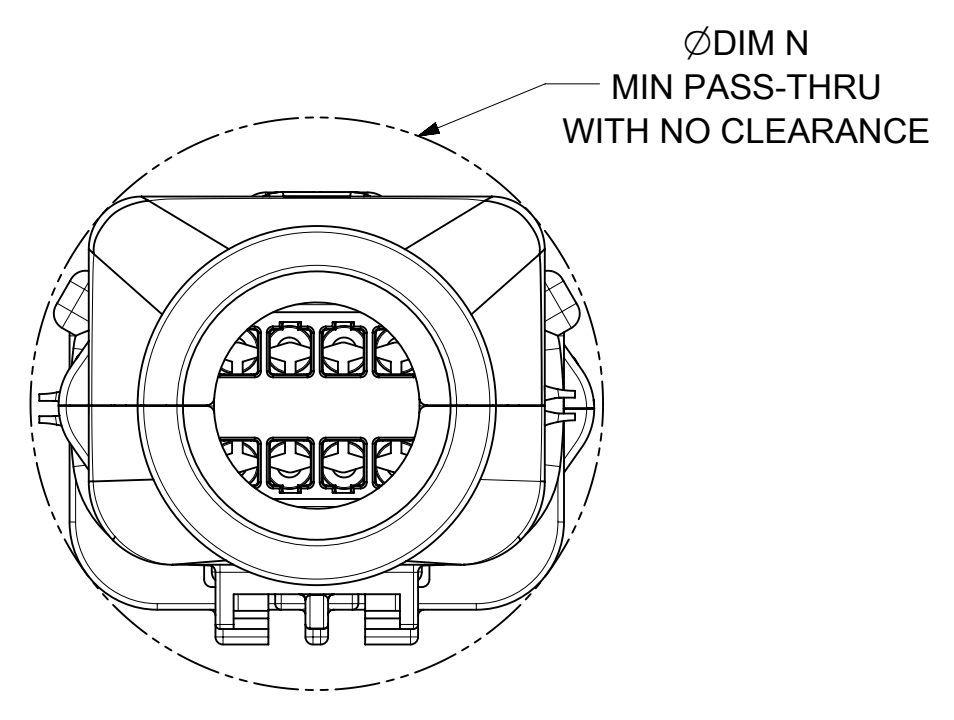
DOCUMENT STATUS	P1	RELEASE DATE	2018/02/16 22:02:24
-----------------	----	--------------	---------------------

SHEET DESCRIPTION
SCHLEMMER BACKSHELL CONFIGURATIONS

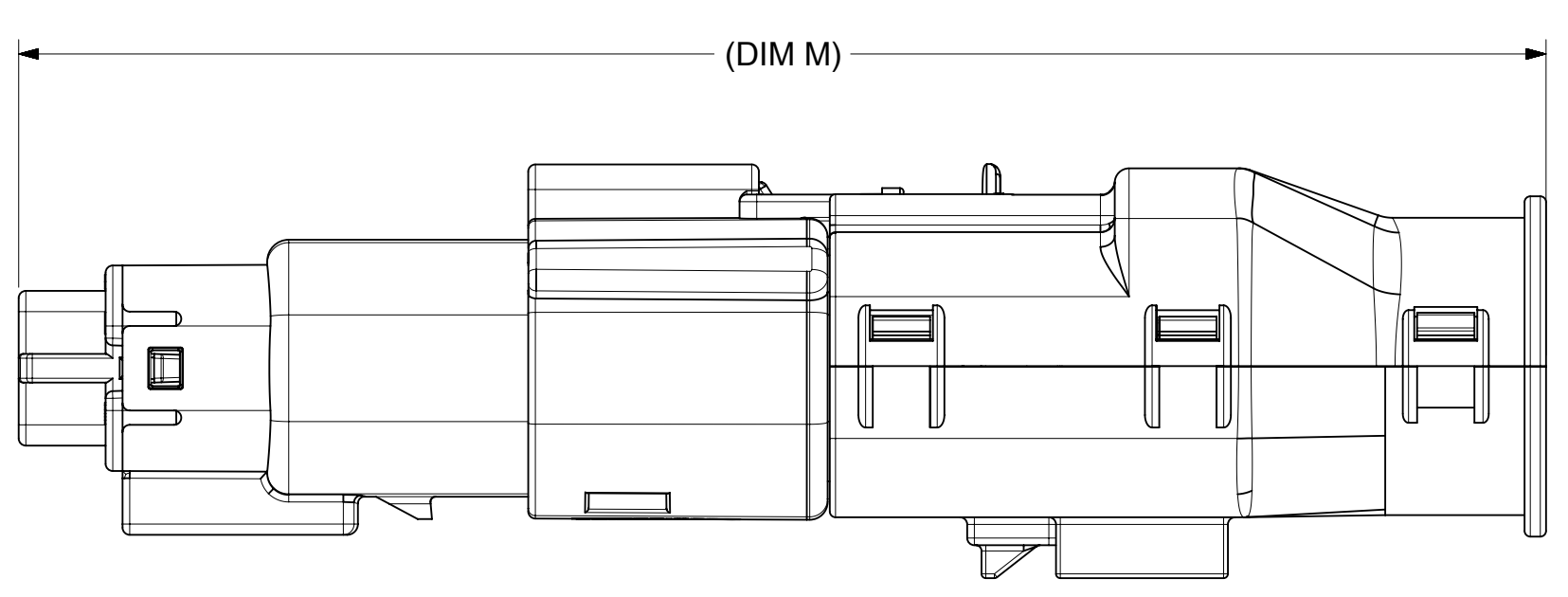
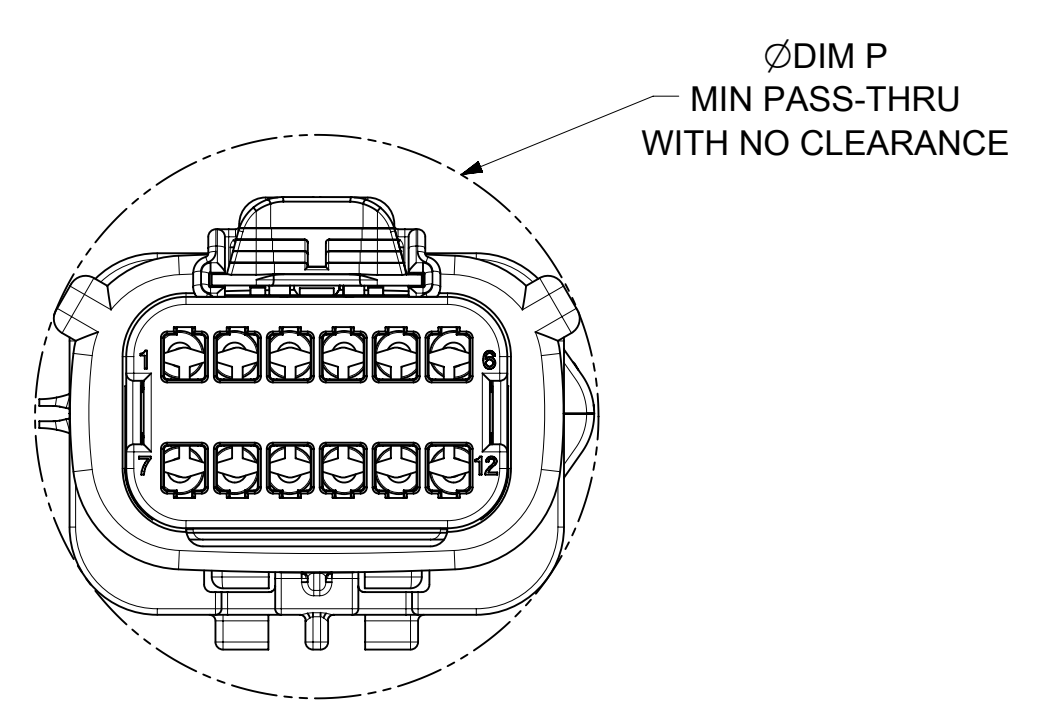
CKT	BLADE CONFIGURATION	RECEPTACLE CONFIGURATION	CHARTED DIMENSION				
			M	N	P	R	S
2X6	STANDARD	STANDARD	106.83	37.84	37.27	35.83	36.83



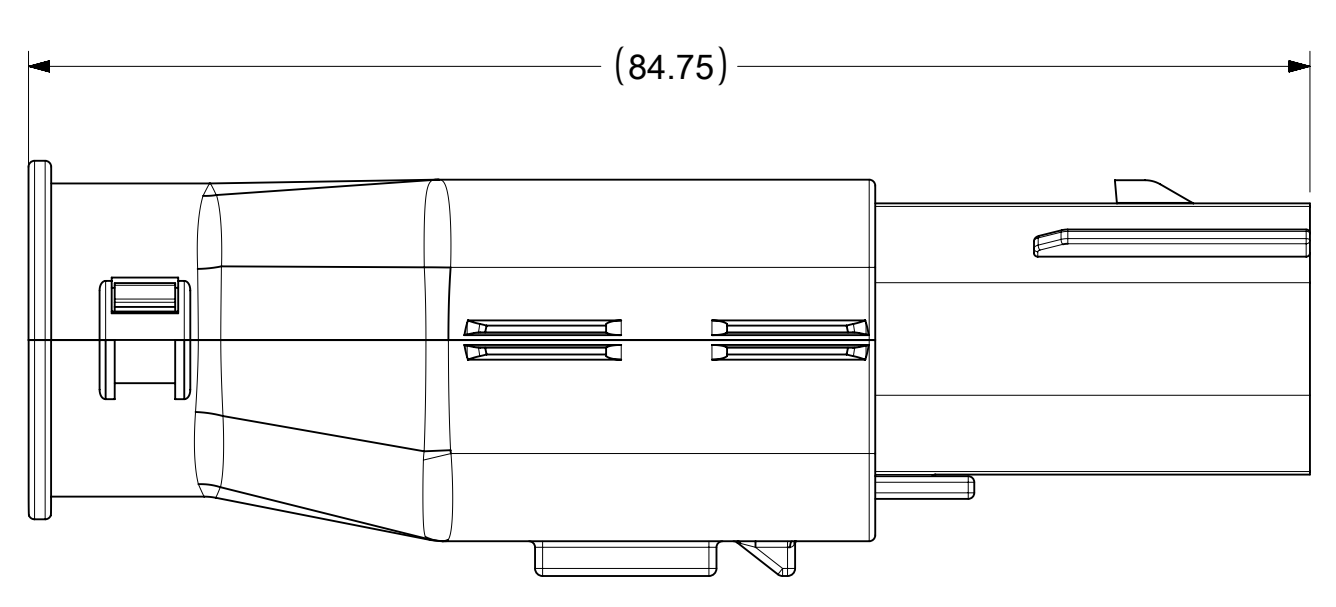
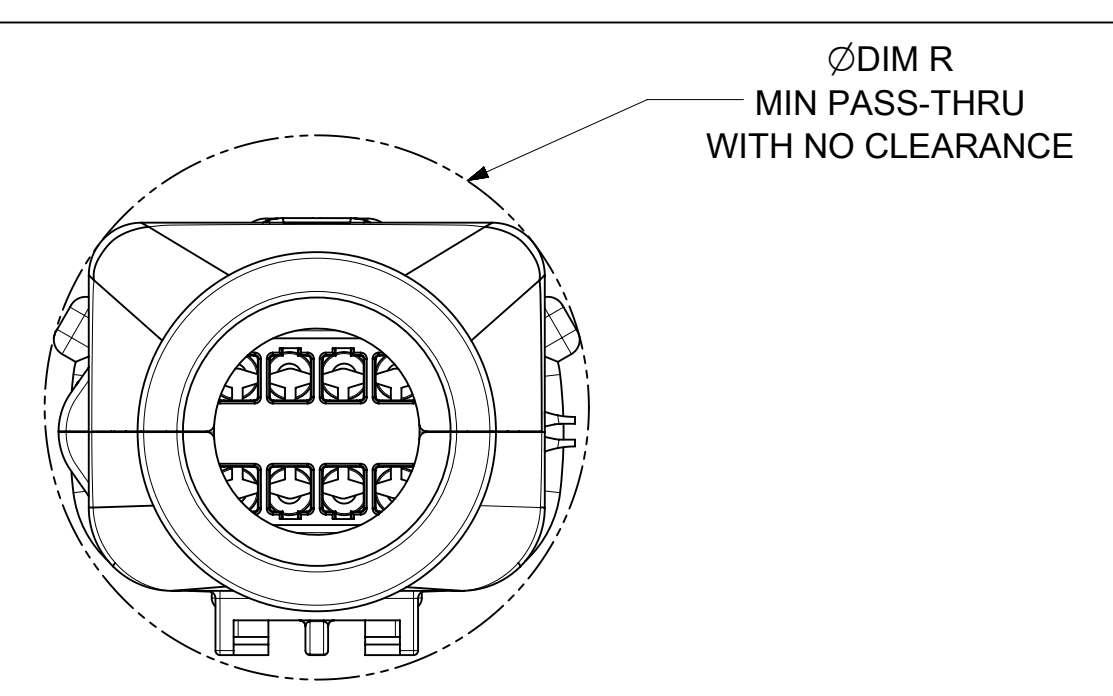
OVERALL MATED SYSTEM WITH BLADE AND RECEPTACLE BACKSHELL



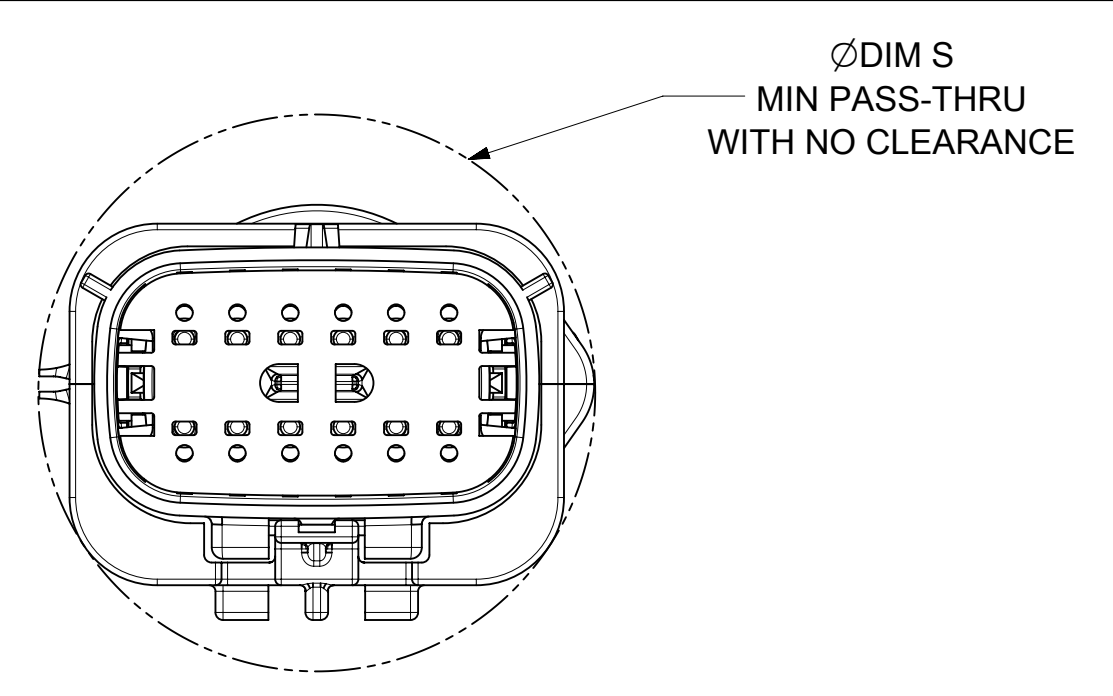
OVERALL MATED SYSTEM WITH BLADE BACKSHELL



OVERALL MATED SYSTEM WITH RECEPTACLE BACKSHELL



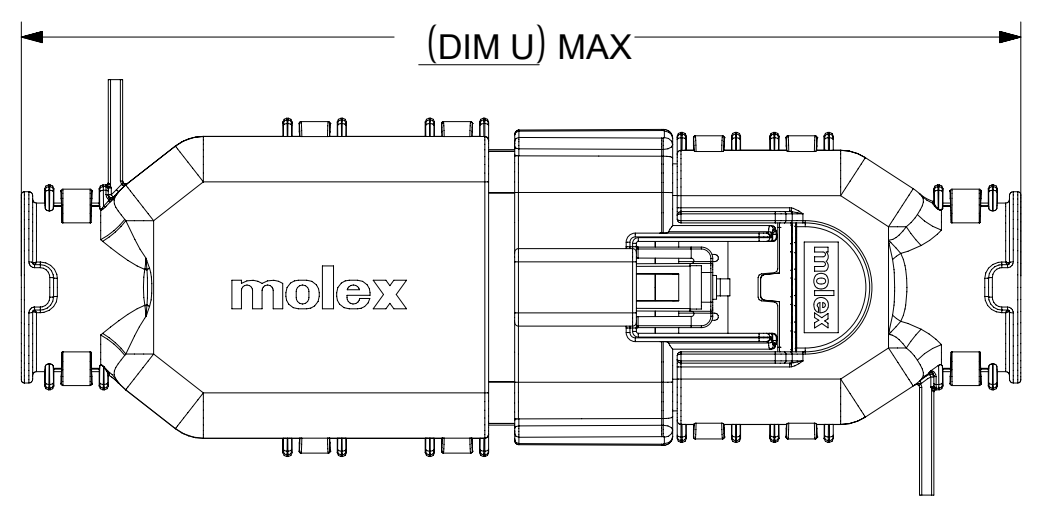
BLADE SEALED ASSEMBLY WITH BLADE BACKSHELL



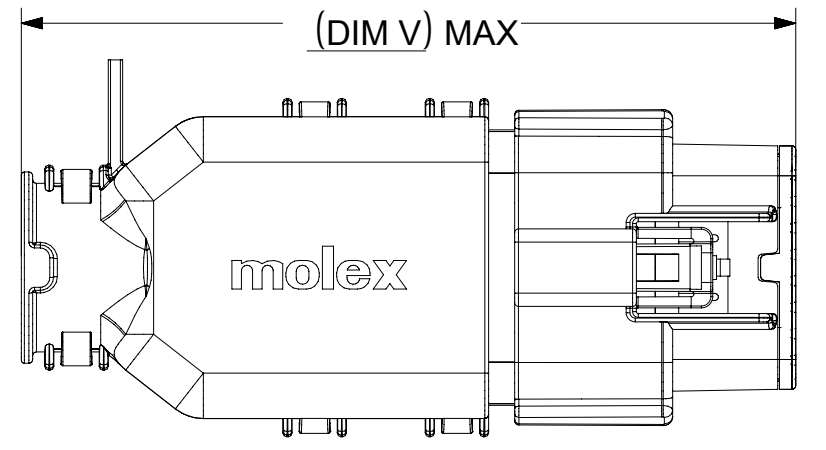
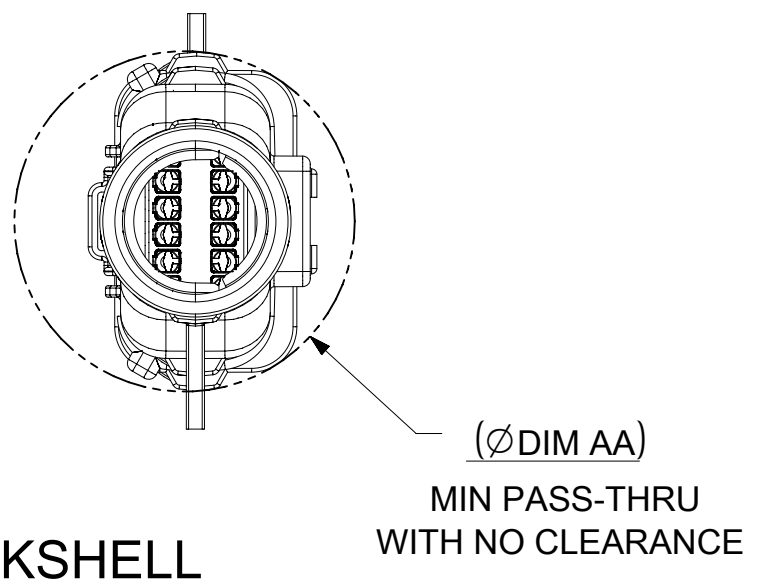
SYMBOLS THIS DRAWING CONTAINS INFORMATION THAT IS PROPRIETARY TO MOLEX ELECTRONIC TECHNOLOGIES, LLC AND SHOULD NOT BE USED WITHOUT WRITTEN PERMISSION DIMENSION UNITS: mm SCALE: 2:1 GENERAL TOLERANCES (UNLESS SPECIFIED): ANGULAR TOL ± 3.0° 4 PLACES ± 3 PLACES ± 2 PLACES ± 0.1 1 PLACE ± 0.2 0 PLACES ± DRAFT WHERE APPLICABLE MUST REMAIN WITHIN DIMENSIONS	CURRENT REV DESC: EC NO: 171650 DRWN: PMANJUNATHAC 2018/01/01 CHK'D: MVANSLAMBROU 2018/02/16 APPR: MVANSLAMBROU 2018/02/16 INITIAL REVISION: DRWN: KBORUSZEWSKI 2014/02/19 APPR: VKOSHY 2014/03/05		 MX150 GEN 2 BLADE DUAL ROW SEALED ASSEMBLY MAT SEAL		
	PRODUCT CUSTOMER DRAWING DOCUMENT NUMBER: SD-160011-0001 DOC TYPE: PSD DOC PART: 001 REVISION: A5			MATERIAL NUMBER: 160011 CUSTOMER: GENERAL MARKET SHEET NUMBER: 10 OF 11	

SHEET DESCRIPTION
MOLEX BACKSHELL CONFIGURATIONS

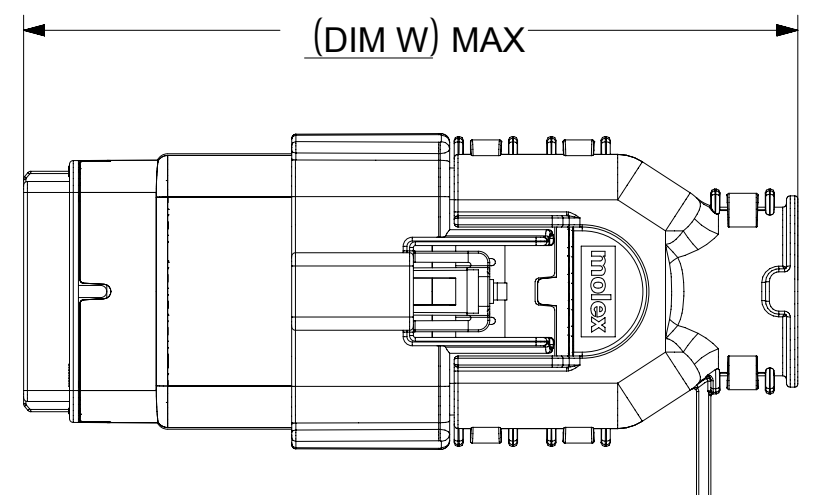
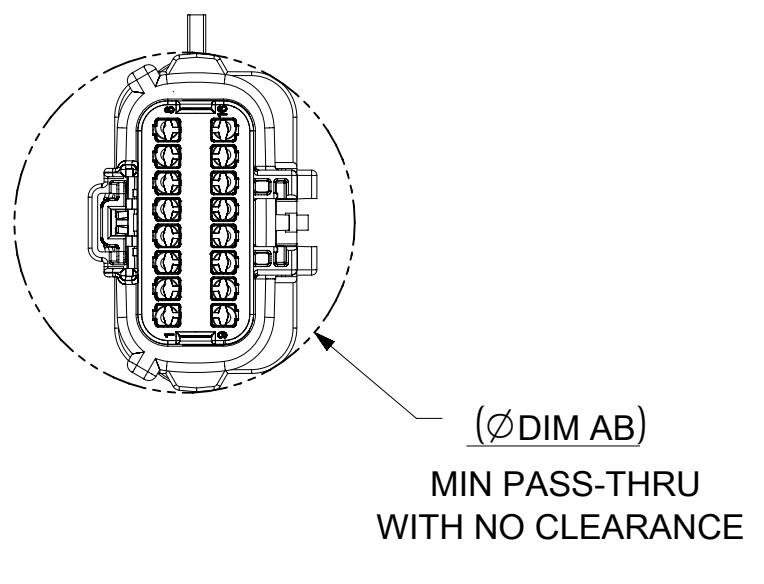
CKT	BLADE CONFIGURATION	RECEPTACLE CONFIGURATION	DIMENSIONS									
			U	V	W	X	Y	AA	AB	AC	AD	AE
2X4	STANDARD	STANDARD	115.29	94.34	93.98	75.62	32.10	32.93	32.54	32.85	31.76	56.81
2X8	STANDARD	STANDARD	N/A	N/A	N/A	N/A	N/A	N/A	N/A	N/A	N/A	N/A
2X10	STANDARD	STANDARD	132.54	102.79	102.78	84.07	36.10	45.44	45.44	42.65	45.44	68.18



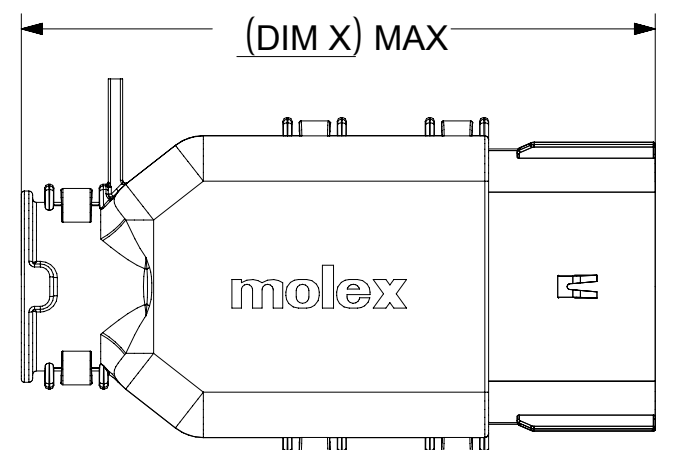
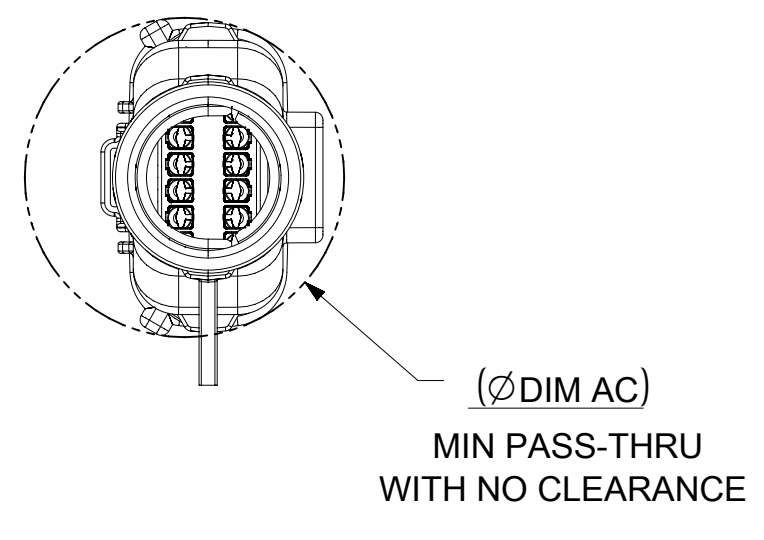
OVERALL MATED SYSTEM WITH BLADE AND RECEPTACLE BACKSHELL



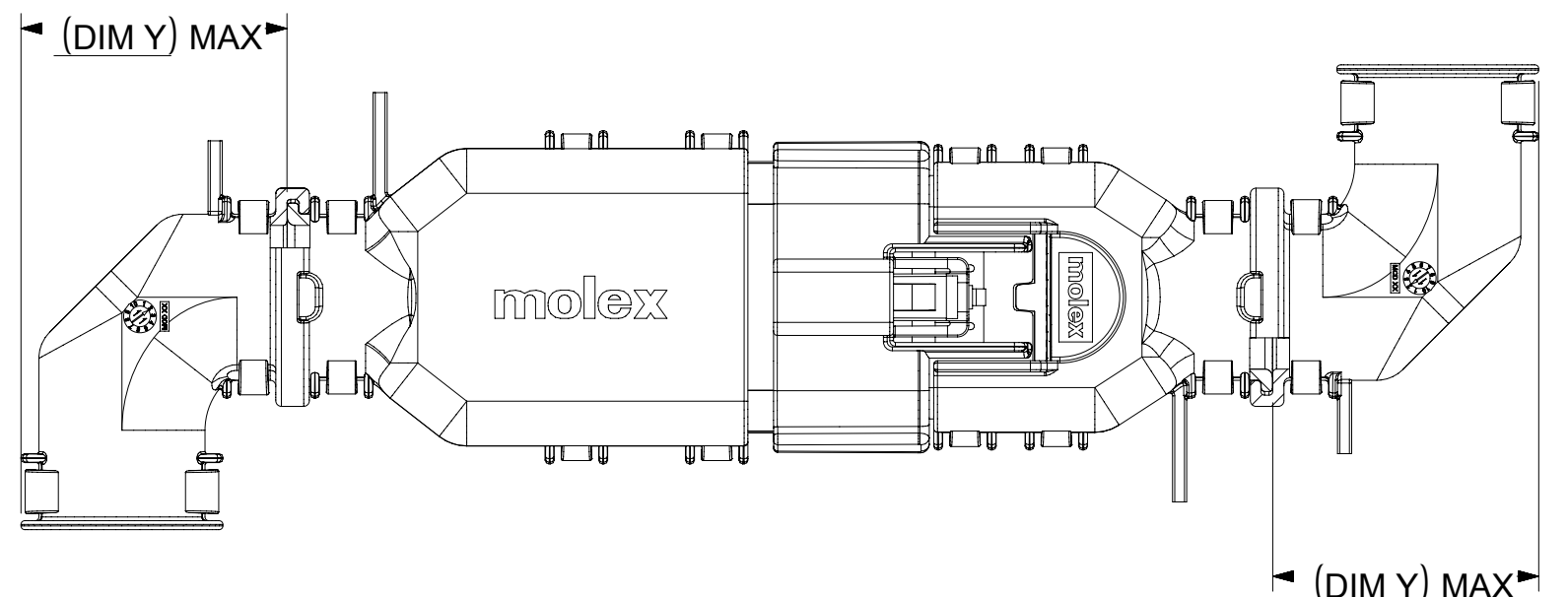
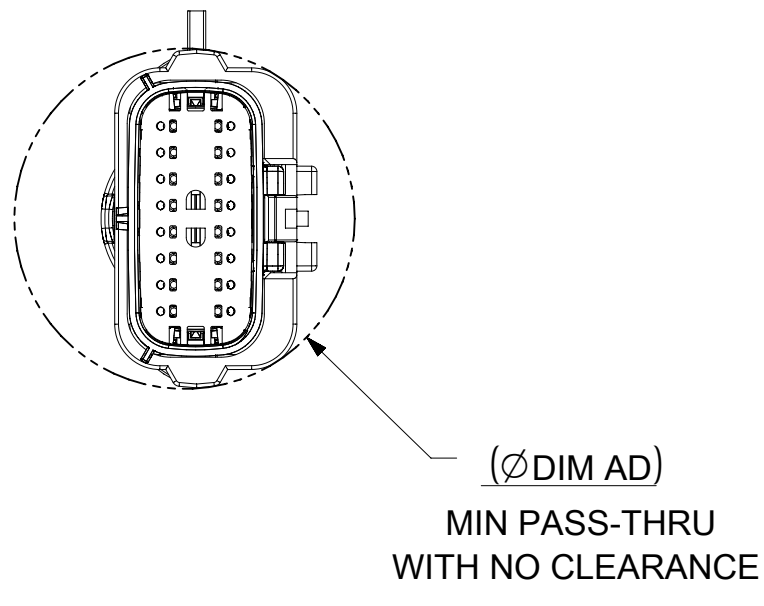
OVERALL MATED SYSTEM WITH BLADE BACKSHELL



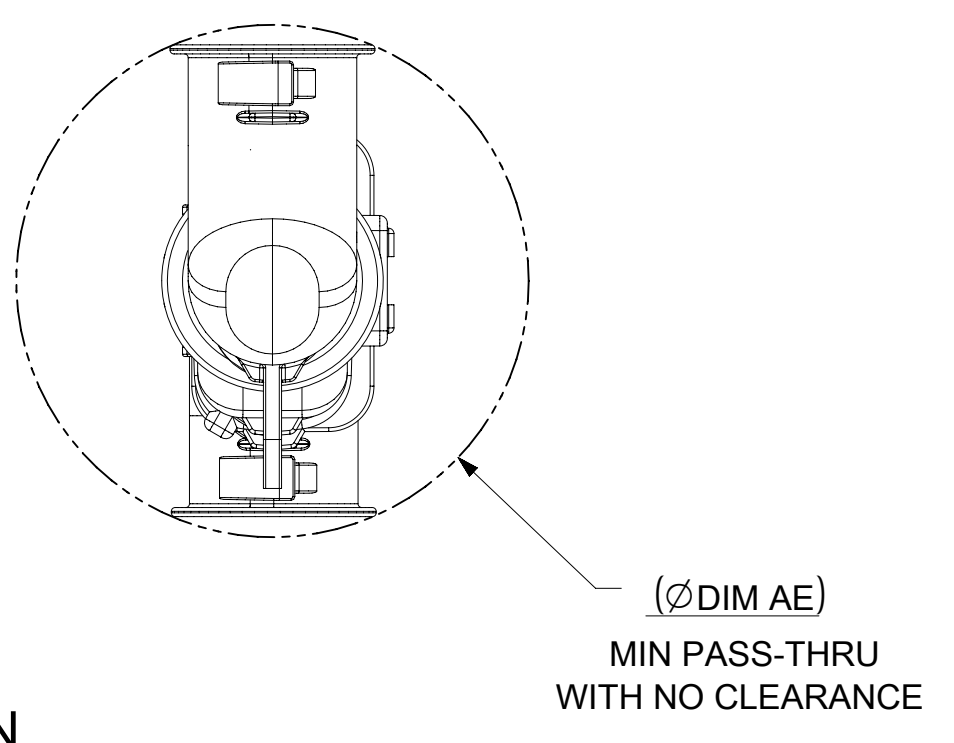
OVERALL MATED SYSTEM WITH RECEPTACLE BACKSHELL



BLADE SEALED ASSEMBLY WITH BLADE BACKSHELL

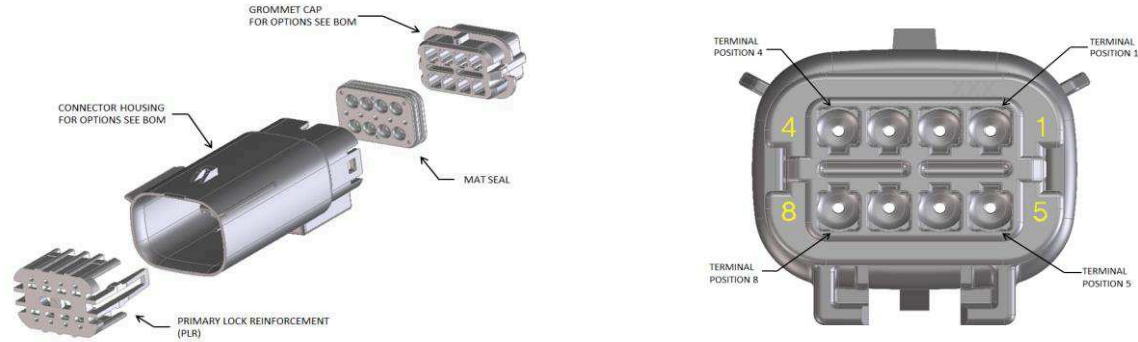


ADD THE VALUE OF 'Y' TO THE TOTAL DIMENSION WHENEVER ADAPTOR IS USED



SYMBOLS ▽ = 0 ▽ = 0 ▽ = 0 ▽ = 0 ▽ = 0 ▽ = 0 ▽ = 0 ▽ = 0 ▽ = 0 ▽ = 0	THIS DRAWING CONTAINS INFORMATION THAT IS PROPRIETARY TO MOLEX ELECTRONIC TECHNOLOGIES, LLC AND SHOULD NOT BE USED WITHOUT WRITTEN PERMISSION		DIMENSION UNITS: mm SCALE: 1:1		CURRENT REV DESC:			 MX150 GEN 2 BLADE DUAL ROW SEALED ASSEMBLY MAT SEAL						
	GENERAL TOLERANCES (UNLESS SPECIFIED) ANGULAR TOL ± 3.0° 4 PLACES ± 3 PLACES ± 2 PLACES ± 0.1 1 PLACE ± 0.2 0 PLACES ±			EC NO: 171650 DRWN: PMANJUNATHAC 2018/01/01 CHK'D: MVANSLAMBROU 2018/02/16 APPR: MVANSLAMBROU 2018/02/16			PRODUCT CUSTOMER DRAWING							
DRAFT WHERE APPLICABLE MUST REMAIN WITHIN DIMENSIONS			THIRD ANGLE PROJECTION		DRAWING: A1-SIZE		SERIES: 160011		MATERIAL NUMBER: SD-160011-0001		CUSTOMER: GENERAL MARKET		SHEET NUMBER: 11 OF 11	

MX150 GEN 2 BLADE 2X4 SEALED ASSEMBLY MAT SEAL
BOM AND PIN OUT SHEET

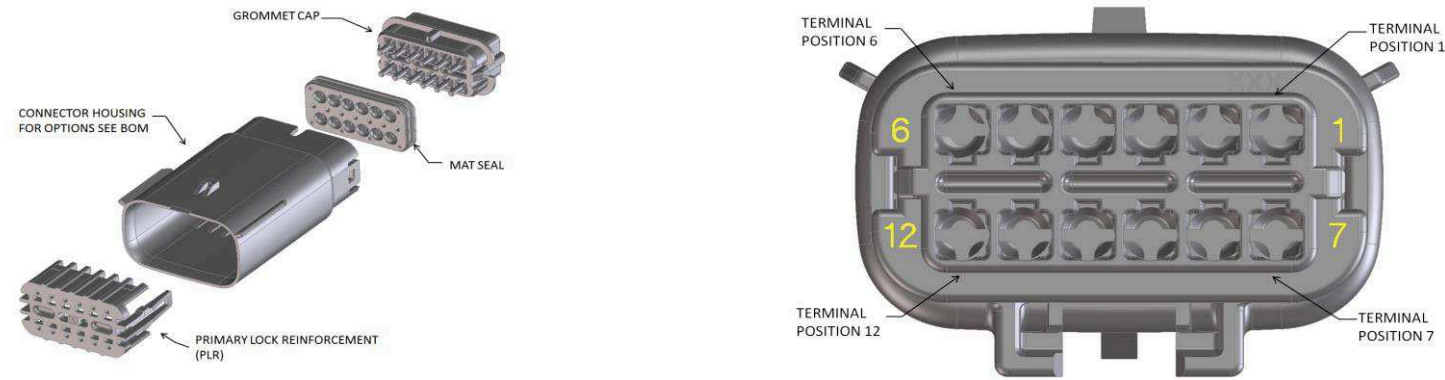


ABBREVIATION	DESCRIPTION	COLOR	MATERIAL
A-BLK-CLIP	HOUSING KEYING OPTION A WITH CLIPSLOT	BLACK	SPS/NYLON GF20
B-LG-CLIP	HOUSING KEYING OPTION B WITH CLIPSLOT	LIGHT GRAY	SPS/NYLON GF20
C-DG-CLIP	HOUSING KEYING OPTION C WITH CLIPSLOT	DARK GRAY	SPS/NYLON GF20
D-SG-CLIP	HOUSING KEYING OPTION D WITH CLIPSLOT	STONE GRAY	SPS/NYLON GF20
GCP	GROMMET CAP (PLUGGED)	BLACK	SPS/NYLON GF20
GCO	GROMMET CAP (OPEN)	BLACK	SPS/NYLON GF20
PLR-1	PLR-1	NATURAL	SPS/NYLON GF20
PLR-3	PLR-3	NATURAL	SPS/NYLON GF20
M-R	MAT SEAL	RUST RED	INHERENTLY LUBRICATED SILICONE
M-B	MAT SEAL	ROYAL BLUE	INHERENTLY LUBRICATED SILICONE

FOR ADDITIONAL INFORMATION SEE SD-160011-0001

ASSEMBLY DESCRIPTION	ASSEMBLY PART NUMBER	COMPONENT				BLOCKED TERMINALS								STATUS	COMMENTS	OPTIONAL ATTACHMENTS SOLD SEPERATELY				
		THE PRESENCE OF AN ABBREVIATION INDICATES THE PRESENCE OF THAT COMPONENT.				CAVITY WITH A NUMBER INDICATES BLOCKED TERMINAL POSITION CAVITY WITHOUT A NUMBER INDICATES OPEN TERMINAL POSITION										BACKSHELL WITH RIBS	BACKSHELL WITHOUT RIBS	90° ADAPTOR WITH RIBS	90° ADAPTOR WITHOUT RIBS	
		HOUSING KEY/COLOR	GROMMET CAP	PLR	MAT SEAL	1	2	3	4	5	6	7	8							
KEY A, BLACK, WITH CLIPSLOT	160011-4001	A-BLK-CLIP	GCO	PLR-1	M-R										PLANNED OBSOLESCENCE		34950-0811	34950-0821	34951-0831	34951-0841
KEY B, LIGHT GRAY, WITH CLIPSLOT	160011-4002	B-LG-CLIP	GCO	PLR-1	M-R										PLANNED OBSOLESCENCE		34950-0811	34950-0821	34951-0831	34951-0841
KEY C, DARK GRAY, WITH CLIPSLOT	160011-4003	C-DG-CLIP	GCO	PLR-1	M-R										PLANNED OBSOLESCENCE		34950-0811	34950-0821	34951-0831	34951-0841
KEY D, STONE GRAY, WITH CLIPSLOT	160011-4004	D-SG-CLIP	GCO	PLR-1	M-R										PLANNED OBSOLESCENCE		34950-0811	34950-0821	34951-0831	34951-0841
KEY A, BLACK, WITH CLIPSLOT	160011-4007	A-BLK-CLIP	GCP	PLR-1	M-R	1	2	3	4	5	6	7	8		PLANNED OBSOLESCENCE		34950-0811	34950-0821	34951-0831	34951-0841
KEY B, LIGHT GRAY, WITH CLIPSLOT	160011-4008	B-LG-CLIP	GCP	PLR-1	M-R	1	2	3	4	5	6	7	8		PLANNED OBSOLESCENCE		34950-0811	34950-0821	34951-0831	34951-0841
KEY C, DARK GRAY, WITH CLIPSLOT	160011-4009	C-DG-CLIP	GCP	PLR-1	M-R	1	2	3	4	5	6	7	8		PLANNED OBSOLESCENCE		34950-0811	34950-0821	34951-0831	34951-0841
KEY D, STONE GRAY, WITH CLIPSLOT	160011-4010	D-SG-CLIP	GCP	PLR-1	M-R	1	2	3	4	5	6	7	8		PLANNED OBSOLESCENCE		34950-0811	34950-0821	34951-0831	34951-0841
KEY A, BLACK, WITH CLIPSLOT	160011-4013	A-BLK-CLIP	GCP	PLR-1	M-R				4	5					PLANNED OBSOLESCENCE		34950-0811	34950-0821	34951-0831	34951-0841
KEY A, BLACK, WITH CLIPSLOT	160011-4014	A-BLK-CLIP	GCP	PLR-1	M-R					5	6				PLANNED OBSOLESCENCE		34950-0811	34950-0821	34951-0831	34951-0841
KEY A, BLACK, WITH CLIPSLOT	160011-4015	A-BLK-CLIP	GCP	PLR-1	M-R				4	5					SALEABLE		34950-0811	34950-0821	34951-0831	34951-0841
KEY A, BLACK, WITH CLIPSLOT	160121-4801	A-BLK-CLIP	GCO	PLR-3	M-B										OK TO TOOL		34950-0811	34950-0821	34951-0831	34951-0841
KEY B, LIGHT GRAY, WITH CLIPSLOT	160121-4802	B-LG-CLIP	GCO	PLR-3	M-B										OK TO TOOL		34950-0811	34950-0821	34951-0831	34951-0841
KEY A, BLACK, WITH CLIPSLOT	160121-4811	A-BLK-CLIP	GCP	PLR-3	M-B				4	5					OK TO TOOL		34950-0811	34950-0821	34951-0831	34951-0841
KEY A, BLACK, WITH CLIPSLOT	160121-4832	A-BLK-CLIP	GCP	PLR-3	M-B					5	6		8		OK TO TOOL		34950-0811	34950-0821	34951-0831	34951-0841
KEY A, BLACK, WITH CLIPSLOT	160121-4834	A-BLK-CLIP	GCP	PLR-3	M-B	1	2	3	4	5	6	7	8		OK TO TOOL		34950-0811	34950-0821	34951-0831	34951-0841
KEY B, LIGHT GRAY, WITH CLIPSLOT	160121-4847	B-LG-CLIP	GCP	PLR-3	M-B	1	2	3	4	5	6	7	8		OK TO TOOL		34950-0811	34950-0821	34951-0831	34951-0841
KEY C, DARK GRAY, WITH CLIPSLOT	160121-4852	C-DG-CLIP	GCO	PLR-3	M-B										OK TO TOOL		34950-0811	34950-0821	34951-0831	34951-0841
KEY D, STONE GRAY, WITH CLIPSLOT	160121-4853	D-SG-CLIP	GCO	PLR-3	M-B										OK TO TOOL		34950-0811	34950-0821	34951-0831	34951-0841
KEY A, BLACK, WITH CLIPSLOT	160121-4854	A-BLK-CLIP	GCP	PLR-3	M-B				4	5			8		OK TO TOOL		34950-0811	34950-0821	34951-0831	34951-0841

MX150 GEN 2 BLADE 2X6 SEALED ASSEMBLY MAT SEAL
BOM AND PIN OUT SHEET



ABBREVIATION	DESCRIPTION	COLOR	MATERIAL
A-BLK-CLIP	HOUSING KEYING OPTION A WITH CLIPSLOT	BLACK	SPS/NYLON GF20
B-LG-CLIP	HOUSING KEYING OPTION B WITH CLIPSLOT	LIGHT GRAY	SPS/NYLON GF20
C-DG-CLIP	HOUSING KEYING OPTION C WITH CLIPSLOT	DARK GRAY	SPS/NYLON GF20
D-SG-CLIP	HOUSING KEYING OPTION D WITH CLIPSLOT	STONE GRAY	SPS/NYLON GF20
GCP	GROMMET CAP (PLUGGED)	BLACK	SPS/NYLON GF20
PLR-1	PLR-1	NATURAL	SPS/NYLON GF20
PLR-3	PLR-3	NATURAL	SPS/NYLON GF20
M-R	MAT SEAL	RUST RED	INHERENTLY LUBRICATED SILICONE
M-B	MAT SEAL	ROYAL BLUE	INHERENTLY LUBRICATED SILICONE

FOR ADDITIONAL INFORMATION SEE SD-160011-0001

ASSEMBLY DESCRIPTION	ASSEMBLY PART NUMBER	COMPONENT				BLOCKED TERMINALS												STATUS	COMMENTS	OPTIONAL ATTACHMENTS SOLD SEPARATELY		
		THE PRESENCE OF AN ABBREVIATION INDICATES THE PRESENCE OF THAT COMPONENT.				CAVITY WITH A NUMBER INDICATES BLOCKED TERMINAL POSITION CAVITY WITHOUT A NUMBER INDICATES OPEN TERMINAL POSITION														BACKSHELL WITH RIBS	BACKSHELL WITHOUT RIBS	
		HOUSING KEY/COLOR	GROMMET CAP	PLR	MAT SEAL	1	2	3	4	5	6	7	8	9	10	11	12					
KEY A, BLACK, WITH CLIPSLOT	160011-6001	A-BLK-CLIP	GCP	PLR-1	M-R														PLANNED OBSOLESCENCE		34950-1210	34950-1220
KEY B, LIGHT GRAY, WITH CLIPSLOT	160011-6002	B-LG-CLIP	GCP	PLR-1	M-R														PLANNED OBSOLESCENCE		34950-1210	34950-1220
KEY C, DARK GRAY, WITH CLIPSLOT	160011-6003	C-DG-CLIP	GCP	PLR-1	M-R														PLANNED OBSOLESCENCE		34950-1210	34950-1220
KEY D, STONE GRAY, WITH CLIPSLOT	160011-6004	D-SG-CLIP	GCP	PLR-1	M-R														PLANNED OBSOLESCENCE		34950-1210	34950-1220
KEY A, BLACK, WITH CLIPSLOT	160011-6007	A-BLK-CLIP	GCP	PLR-1	M-R	1	2	3	4	5	6	7	8	9	10	11	12		PLANNED OBSOLESCENCE		34950-1210	34950-1220
KEY B, LIGHT GRAY, WITH CLIPSLOT	160011-6008	B-LG-CLIP	GCP	PLR-1	M-R	1	2	3	4	5	6	7	8	9	10	11	12		PLANNED OBSOLESCENCE		34950-1210	34950-1220
KEY C, DARK GRAY, WITH CLIPSLOT	160011-6009	C-DG-CLIP	GCP	PLR-1	M-R	1	2	3	4	5	6	7	8	9	10	11	12		PLANNED OBSOLESCENCE		34950-1210	34950-1220
KEY D, STONE GRAY, WITH CLIPSLOT	160011-6010	D-SG-CLIP	GCP	PLR-1	M-R	1	2	3	4	5	6	7	8	9	10	11	12		PLANNED OBSOLESCENCE		34950-1210	34950-1220
KEY A, BLACK, WITH CLIPSLOT	160121-6201	A-BLK-CLIP	GCP	PLR-3	M-B														OK TO TOOL		34950-1210	34950-1220
KEY B, LIGHT GRAY, WITH CLIPSLOT	160121-6202	B-LG-CLIP	GCP	PLR-3	M-B														OK TO TOOL		34950-1210	34950-1220
KEY A, BLACK, WITH CLIPSLOT	160121-6227	A-BLK-CLIP	GCP	PLR-3	M-B	1	2	3	4	5	6	7	8	9	10	11	12		OK TO TOOL		34950-1210	34950-1220
KEY B, LIGHT GRAY, WITH CLIPSLOT	160121-6228	B-LG-CLIP	GCP	PLR-3	M-B	1	2	3	4	5	6	7	8	9	10	11	12		OK TO TOOL		34950-1210	34950-1220
KEY C, DARK GRAY, WITH CLIPSLOT	160121-6261	C-DG-CLIP	GCP	PLR-3	M-B														OK TO TOOL		34950-1210	34950-1220
KEY D, STONE GRAY, WITH CLIPSLOT	160121-6262	D-SG-CLIP	GCP	PLR-3	M-B														OK TO TOOL		34950-1210	34950-1220
KEY C, DARK GRAY, WITH CLIPSLOT	160121-6263	C-DG-CLIP	GCP	PLR-3	M-B	1	2	3	4	5	6	7	8	9	10	11	12		OK TO TOOL		34950-1210	34950-1220
KEY D, STONE GRAY, WITH CLIPSLOT	160121-6264	D-SG-CLIP	GCP	PLR-3	M-B	1	2	3	4	5	6	7	8	9	10	11	12		OK TO TOOL		34950-1210	34950-1220

MX150 GEN 2 BLADE 2X10 SEALED ASSEMBLY MAT SEAL BOM AND PIN OUT SHEET

Table with columns for Assembly Description, Assembly Part Number, Component, Blocked Terminals (1-20), Status, Comments, and Optional Attachments (Backshell with Ribs, Backshell without Ribs, 90° Adaptor with Ribs, 90° Adaptor without Ribs).

TABLE OF CONTENTS	
SHEET NO.	SHEET DESCRIPTION
1	NOTES AND BOM
2	CONFIGURATIONS
3-4	KEY CONFIGURATIONS
5	BLADE SEALED ASSEMBLY
6	SYSTEM PACKAGING
7	BACKSHELL NOTES
8	BACKSHELL
9	BACKSHELL CONFIGURATIONS

NOTES: VALID UNLESS OTHERWISE SPECIFIED

1. GENERAL:
a. APPLICATION SPECIFICATION SEE: AS-33472-100
-CONTAINS: PRODUCT INTRODUCTION, PRODUCT SUMMARY, CONNECTOR ASSEMBLY, PACKAGING INFORMATION, CONNECTOR MATING, SERVICE INSTRUCTIONS, ELECTRICAL CONTINUITY CHECKING, CRIMPING, AND TROUBLESHOOTING.
-DESIGNED TO MATE WITH RECEPTACLE SEALED ASSEMBLY AS SPECIFIED IN THE MATING CONNECTOR DRAWINGS CHART.
*DENOTES DRAWINGS THAT CAN BE ACCESSED AT <http://ewcap.uscarteams.org/>.
-ASSEMBLY SHIPPED WITH PLR IN PRE-LOCK POSITION (SEE PLR PRE-LOCK VIEW SHEET 5).

b. PRODUCT SPECIFICATION SEE:
-STANDARD CONFIGURATION: PS-33472-000
-UL V0 CONFIGURATION: TBD
CONTAINS: PRODUCT INTRODUCTION, PRODUCT SUMMARY, RATINGS (CURRENT, TEMPERATURE, SEALING, AND FLAMMABILITY), TERMINALS, WIRE DIAMETER RANGE, PRODUCT VALIDATION, AND PRODUCT DEVIATIONS.

c. PACKAGING SPECIFICATION PER MOLEX DRAWING: PK-31300-635

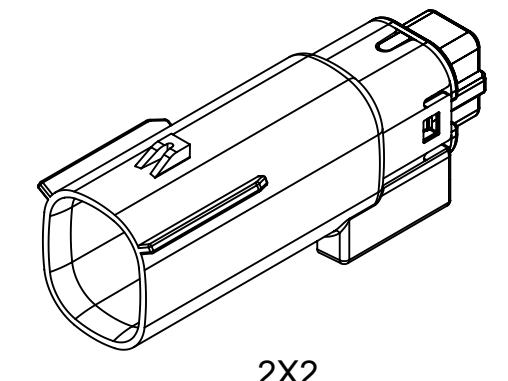
d. PARTS MUST BE IN COMPLIANCE TO MOLEX CHEMICAL SUBSTANCES FOR PRODUCTS AND PACKAGING SPECIFICATION: QEHS-699000-300

e. DATA MUST BE SUBMITTED UNDER THE MOLEX PART NUMBER TO IMDS (COMPANY ID#13255)

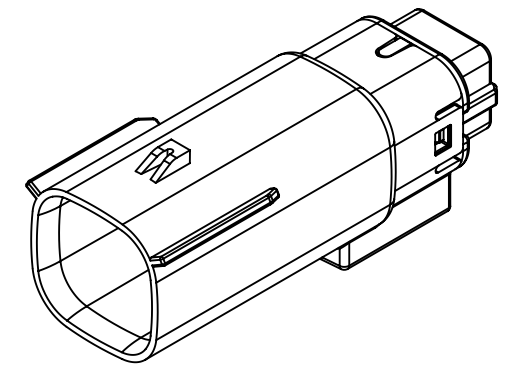
2. DESIGN - MATERIALS:
a. FOR BILL OF MATERIALS SEE:
-STANDARD CONFIGURATION: SD-33482-0002
-UL V0 CONFIGURATION: SD-160084-0002

3. DESIGN - GEOMETRY:
a. THE 3-D CAD DATA IS BASIC (WITHOUT TOLERANCE) AND MASTER FOR THIS PART WITH THE EXCEPTION OF UNDERLINED DIMENSIONS. DIMENSIONAL INFORMATION NOT SHOWN ON THIS DRAWING IS DEFINED BY THE DATA FILE AT ITS LATEST REVISION.
b. GEOMETRIC DIMENSIONS AND TOLERANCES PER ASME Y14.5M-2009
c. EDGES AND UNDIMENSIONED DETAILS PER ISO13715
d. CORNERS SHOWN AS SHARP TO BE R 0.2 MAX.
e. LETTERING SHALL BE 0.15 MAX RAISED IN 0.25 MAX RECESS PAD. THIS INCLUDES RECYCLING CODE, CAVITY ID, VENDOR IDENTIFICATION, AND CUSTOMER MATERIAL NUMBER.
f. VISUAL DEFECTS SHALL MEET COSMETIC STANDARD PS-45499-002 (Class B).
g. LASER MARKING:
1. PART NUMBER
2. DAY OF THE YEAR
3. SHIFT
4. YEAR
FOR ADDITIONAL INFORMATION SEE SECTION 5 UNDER PROCEDURES IN ES-34735-008.

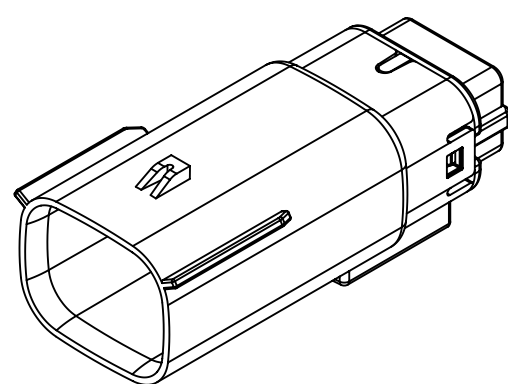
MATING CONNECTOR DRAWINGS	
DESCRIPTION	MOLEX INLINE
2X2	SD-33472-0001
2X3	SD-33472-0001
2X4	SD-33472-0001
2X6	SD-33472-0001
2X8	SD-33472-0001
2X10	SD-33472-0001



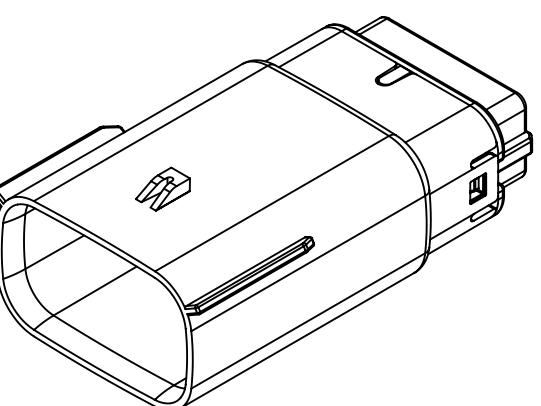
2X2



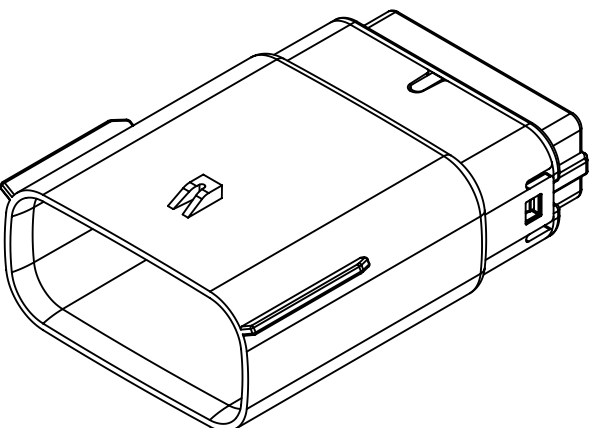
2X3



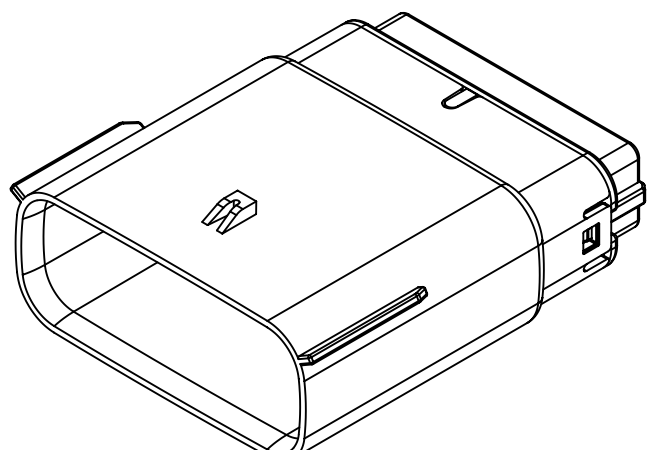
2X4



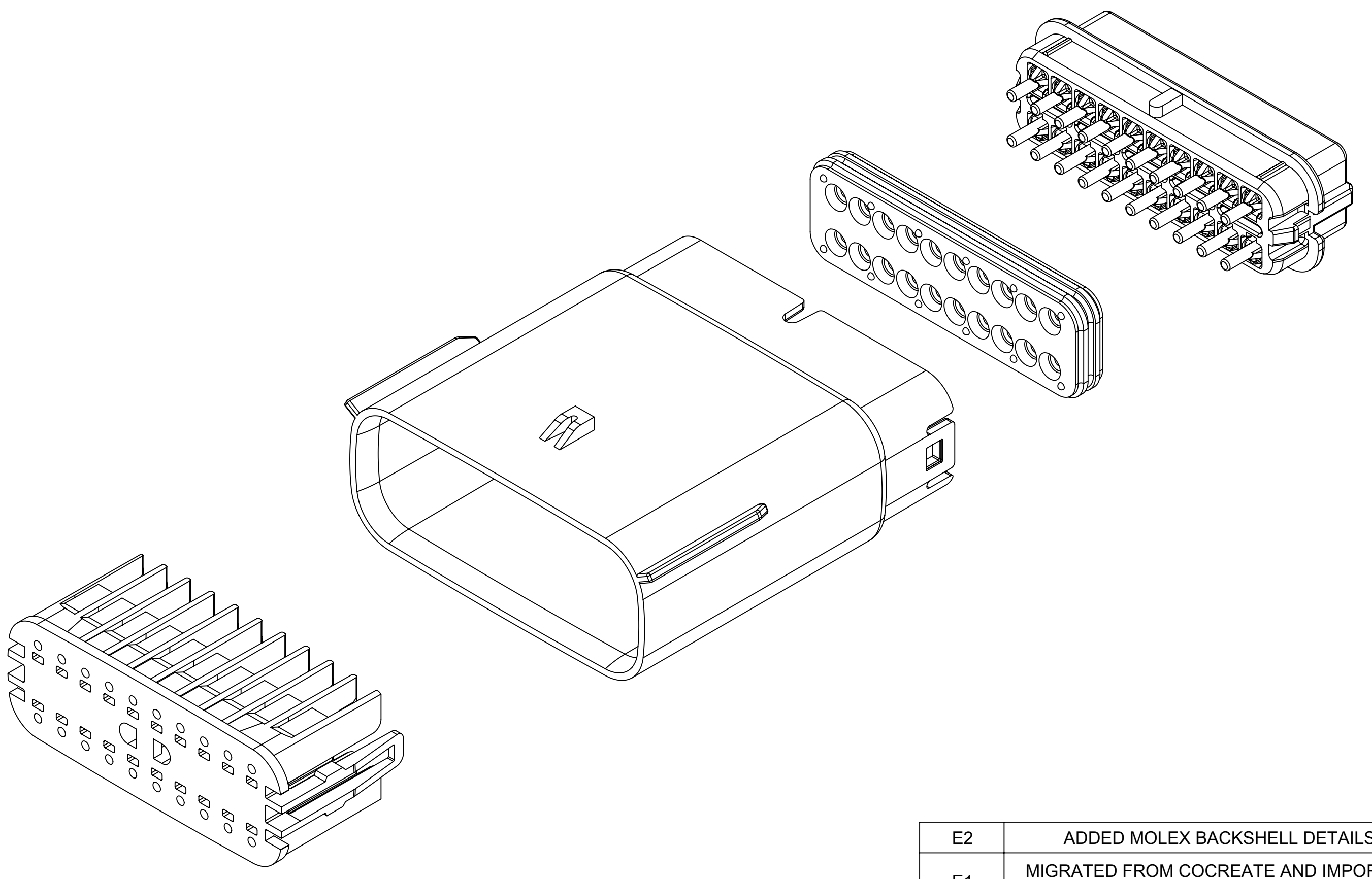
2X6



2X8



2X10

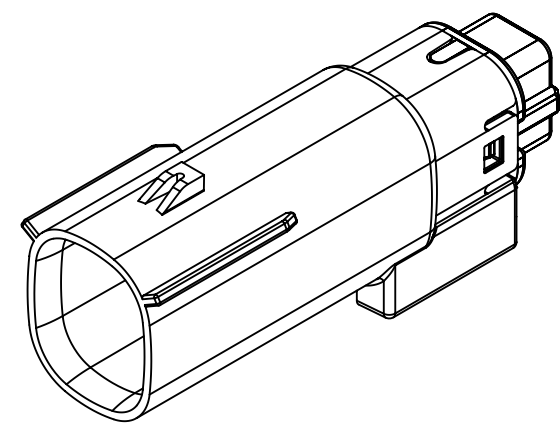


REV	REV DESCRIPTION
E2	ADDED MOLEX BACKSHELL DETAILS
E1	MIGRATED FROM COCREATE AND IMPORTED DXF FILES
E	ADDED CHARTED DIMENSIONS FOR 2X2, 2X4, 2X6 AND 2X8 WITH CLIPSLLOT
D	MINOR GEOMETRY CHANGE FOR UL V0
C3	ADD 2X4
C2	ADD 2X3
C1	ADD UL V0 CONFIGURATIONS
C	ADD 2X8
B1	ADD 2X6 BACKSHELL INFO
B	ADD 2X6
A	INITIAL RELEASE
REV	REV DESCRIPTION

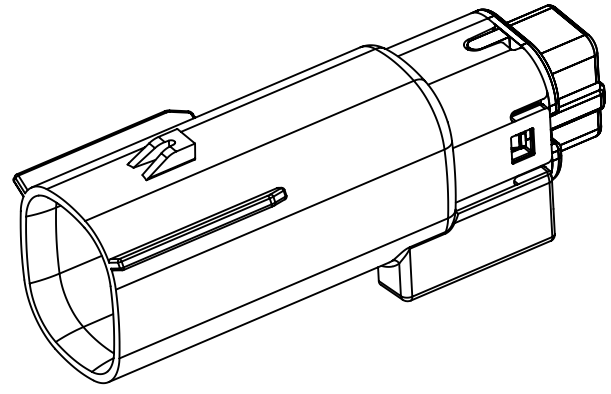
INSPECTION NUMBER LOG	
LAST NUMBER:	9
ADDED:	
REMOVED:	

SYMBOLS = 0 mm = 0 GENERAL TOLERANCES (UNLESS SPECIFIED) = 0 ANGULAR TOL ± 1.0° = 0 4 PLACES ± = 0 3 PLACES ± = 0 2 PLACES ± 0.1 = 0 1 PLACE ± 0.2 = 0 0 PLACES ± = 0 DRAFT WHERE APPLICABLE MUST REMAIN WITHIN DIMENSIONS	THIS DRAWING CONTAINS INFORMATION THAT IS PROPRIETARY TO MOLEX ELECTRONIC TECHNOLOGIES, LLC AND SHOULD NOT BE USED WITHOUT WRITTEN PERMISSION DIMENSION UNITS: mm SCALE: 1.5:1 CURRENT REV DESC: EC NO: 171650 DRWN: PMANJUNATHAC 2018/01/03 CHK'D: MVANSLAMBROU 2018/02/16 APPR: MVANSLAMBROU 2018/02/16 INITIAL REVISION: DRWN: APROFFITT 2014/04/28 APPR: VKOSHY 2014/05/14	 MX150 BLADE DUAL ROW SEALED ASSEMBLY MAT SEAL PRODUCT CUSTOMER DRAWING
	DOCUMENT NUMBER: SD-33482-0001 DOC TYPE: PSD DOC PART: 001 REVISION: E2	MATERIAL NUMBER: GENERAL MARKET CUSTOMER:

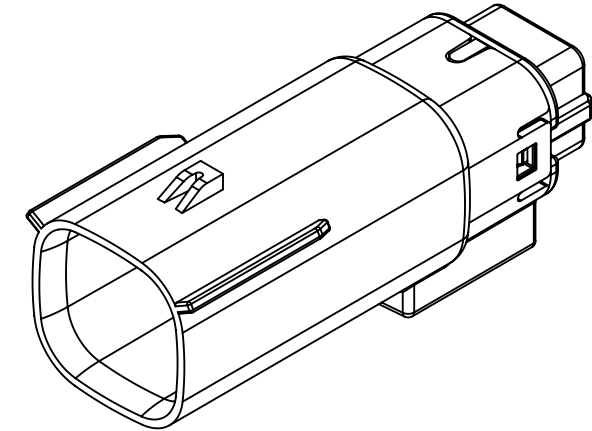
SHEET DESCRIPTION
CONFIGURATIONS



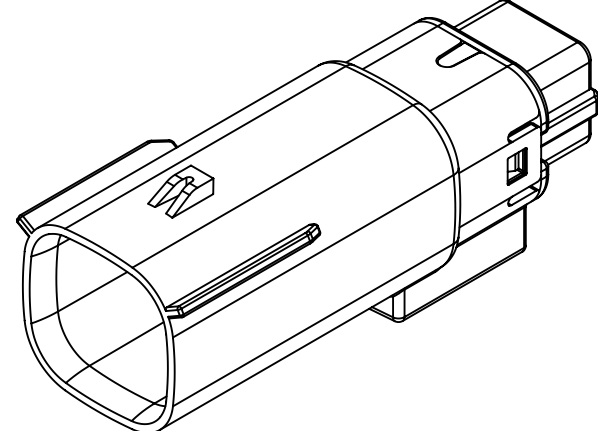
2X2 - STANDARD (STD)



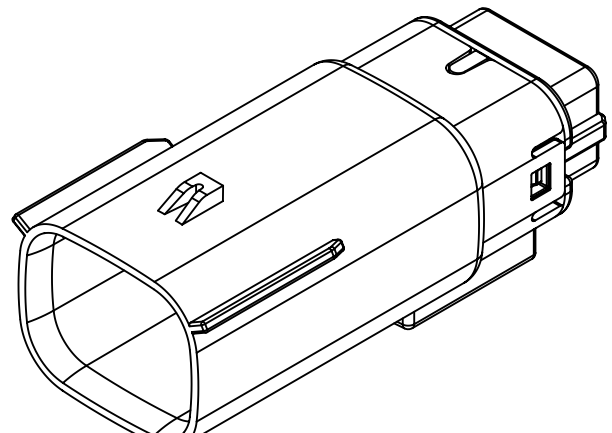
2X2 - UL V0*



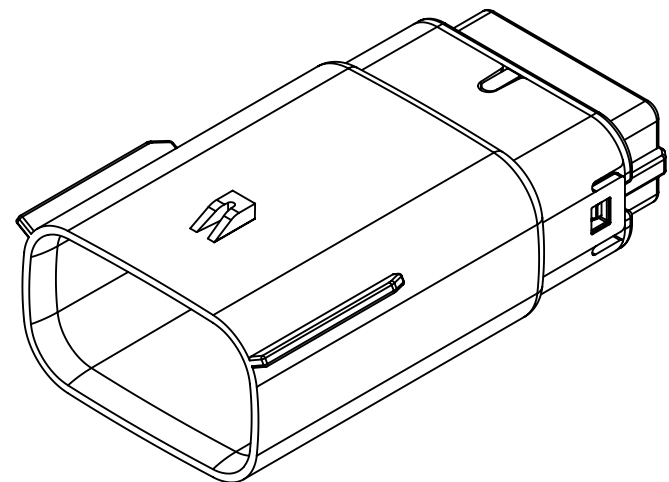
2X3 - STANDARD (STD)



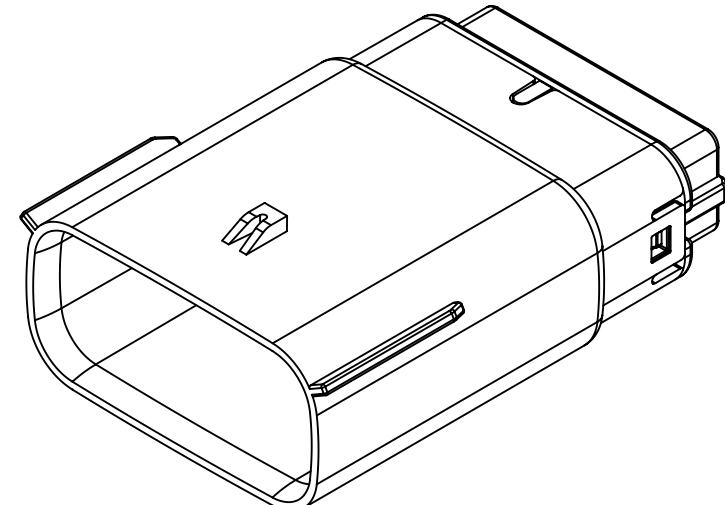
2X3 - LENGTHENED



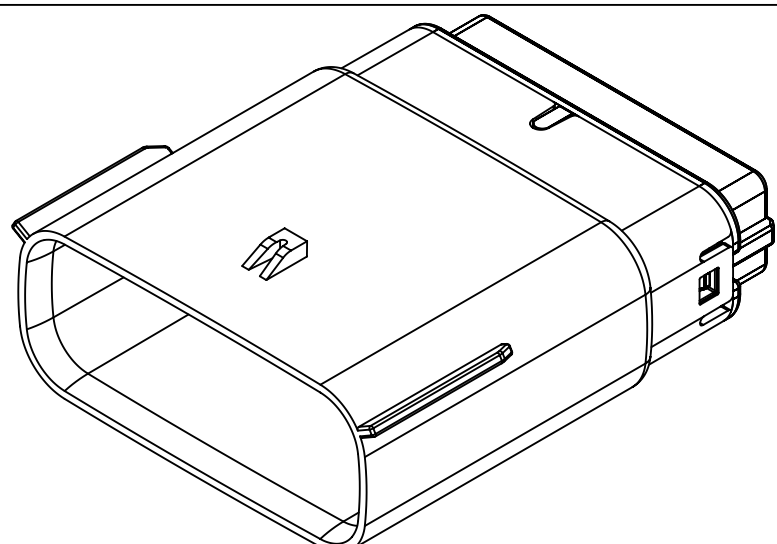
2X4 - STANDARD (STD)



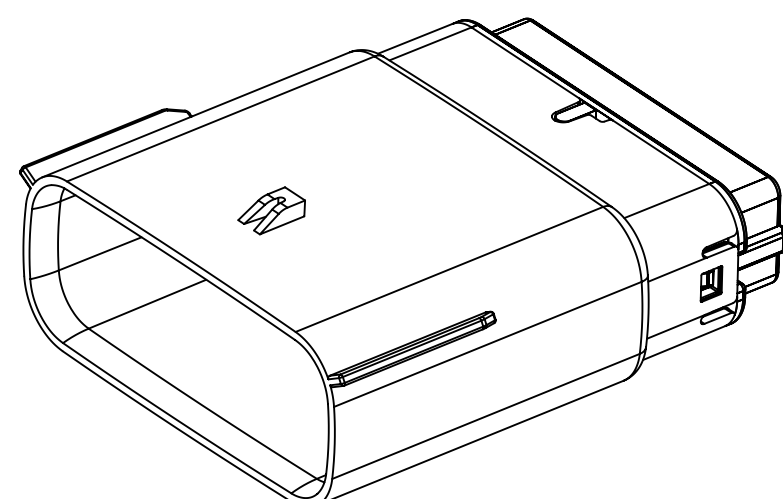
2X6 - STANDARD (STD)



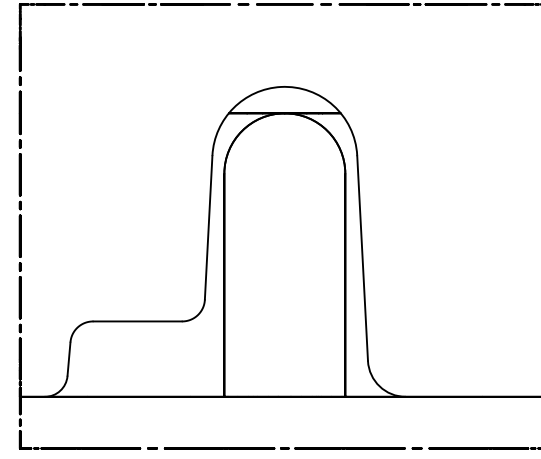
2X8 - STANDARD (STD)



2X10 - STANDARD (STD)



2X10 - UL V0*



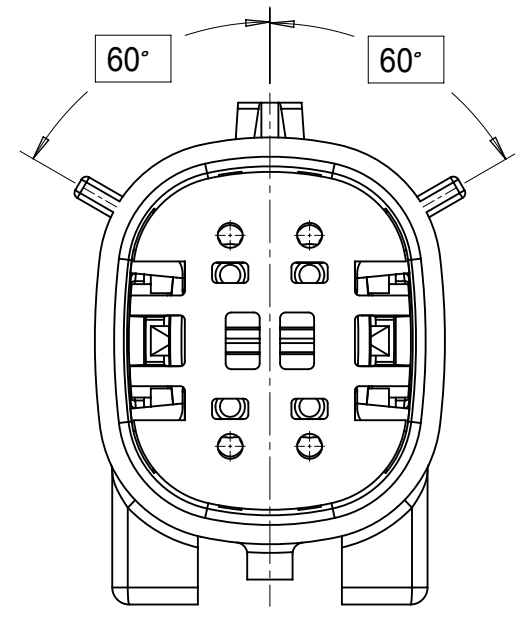
UL V0 UNIQUE FEATURE
Partial1
SCALE 10:1

* MINOR GEOMETRY CHANGE THAN STANDARD CONFIGURATION.
SEE NOTE 2a FOR MORE INFORMATION

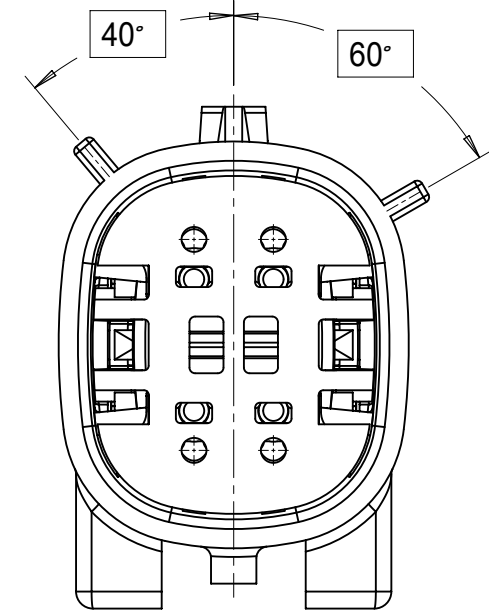
SYMBOLS	THIS DRAWING CONTAINS INFORMATION THAT IS PROPRIETARY TO MOLEX ELECTRONIC TECHNOLOGIES, LLC AND SHOULD NOT BE USED WITHOUT WRITTEN PERMISSION		CURRENT REV DESC:		molex
	DIMENSION UNITS	SCALE			
▽ = 0	mm	1.5:1	EC NO: 171650		MX150 BLADE DUAL ROW SEALED ASSEMBLY MAT SEAL
▽ = 0	GENERAL TOLERANCES (UNLESS SPECIFIED)		DRWN: PMANJUNATHAC 2018/01/03		
▽ = 0	ANGULAR TOL ± 1.0°		CHK'D: MVANSLAMBROU 2018/02/16		PRODUCT CUSTOMER DRAWING
▽ = 0	4 PLACES ±		APPR: MVANSLAMBROU 2018/02/16		
▽ = 0	3 PLACES ±		INITIAL REVISION:		DOCUMENT NUMBER
▽ = 0	2 PLACES ± 0.1		DRWN: APROFFITT 2014/04/28		SD-33482-0001
▽ = 0	1 PLACE ± 0.2		APPR: VKOSHY 2014/05/14		DOC TYPE DOC PART REVISION
⊠ = 0	0 PLACES ±		THIRD ANGLE PROJECTION		PSD 001 E2
■ = 0	DRAFT WHERE APPLICABLE MUST REMAIN WITHIN DIMENSIONS		DRAWING	SERIES	MATERIAL NUMBER
▽ = 0			A1-SIZE	33482	CUSTOMER
					GENERAL MARKET
					SHEET NUMBER
					2 OF 11

SHEET DESCRIPTION
KEY CONFIGURATIONS

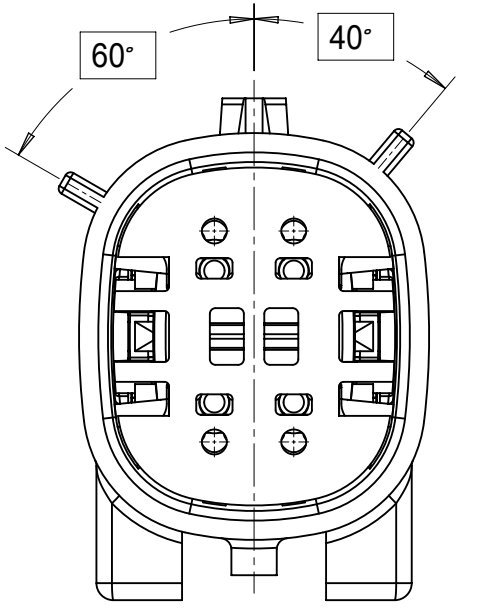
2X2



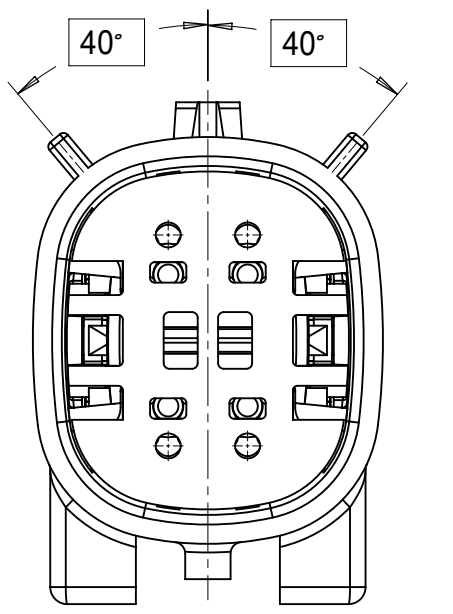
KEY A



KEY B

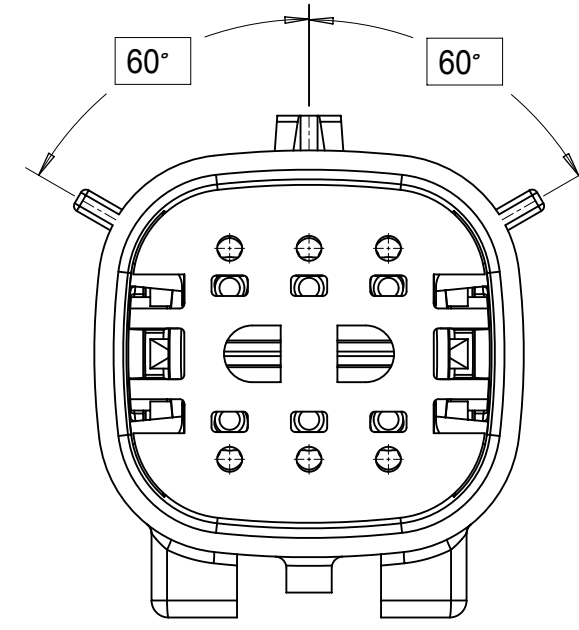


KEY C

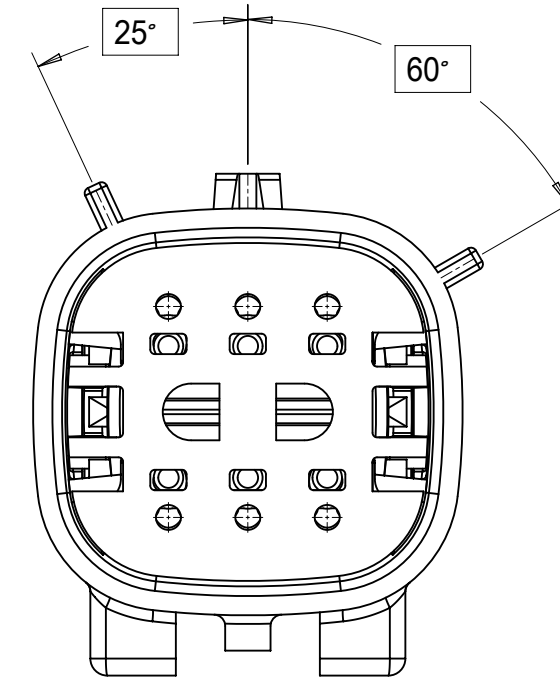


KEY D

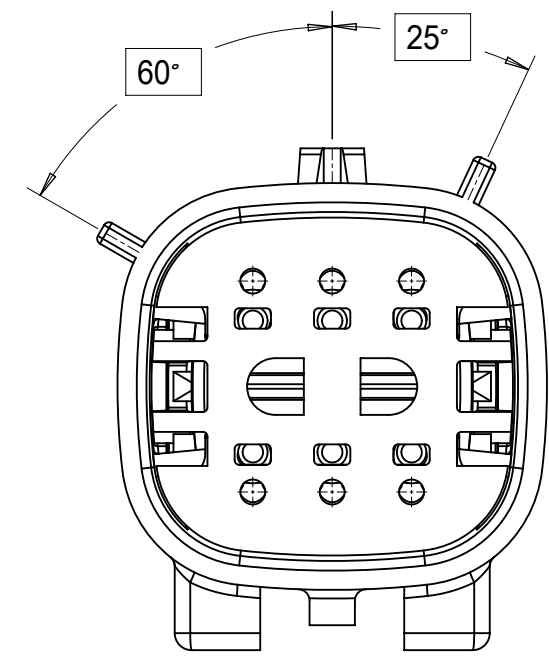
2X3



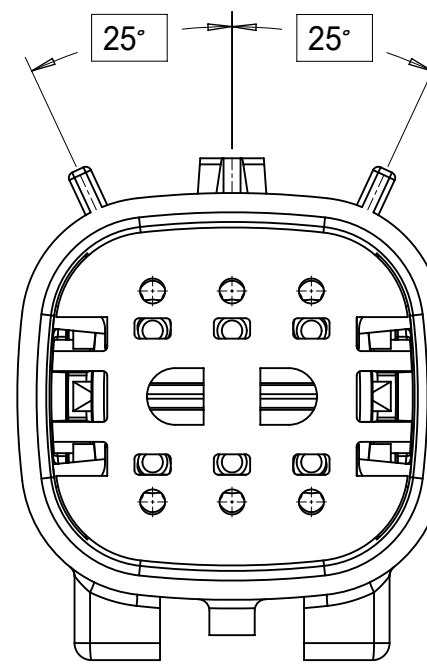
KEY A



KEY B

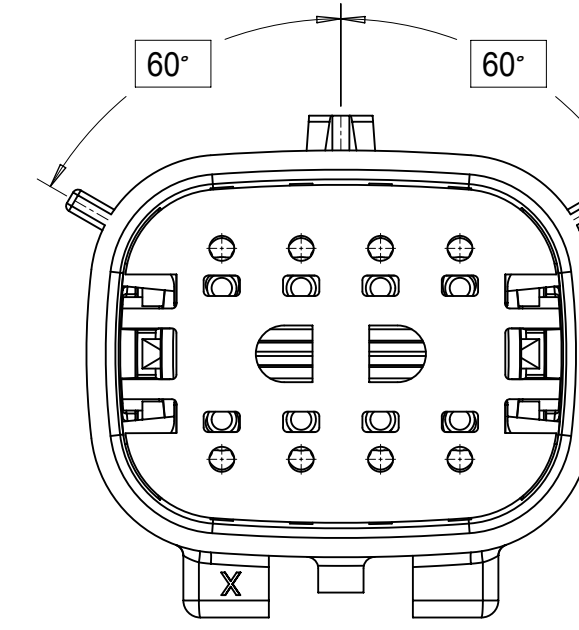


KEY C

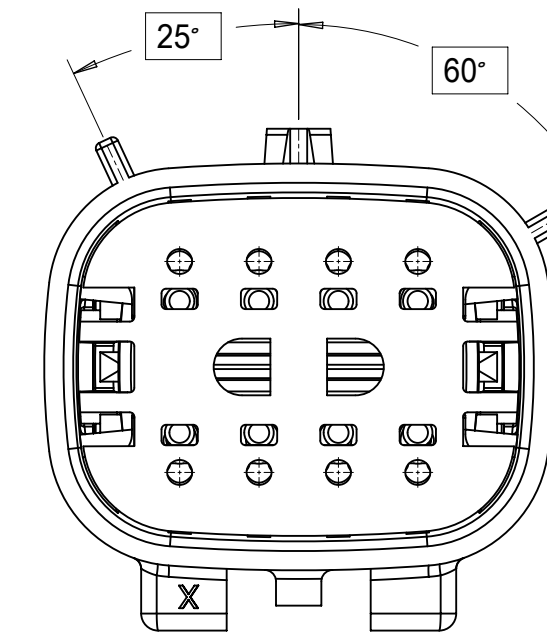


KEY D

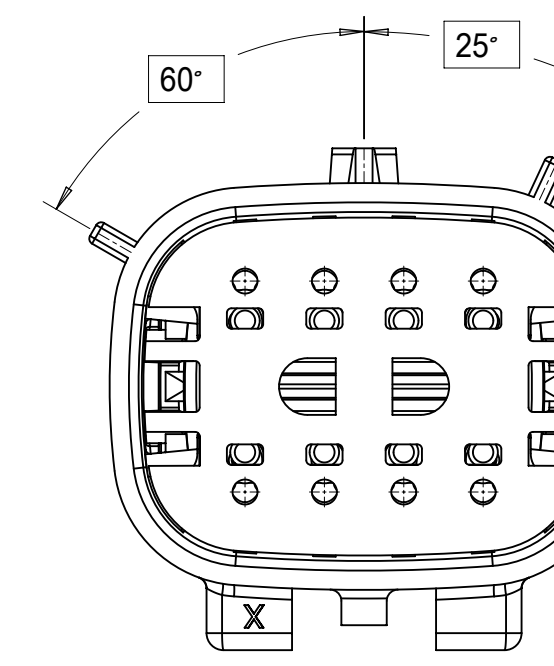
2X4



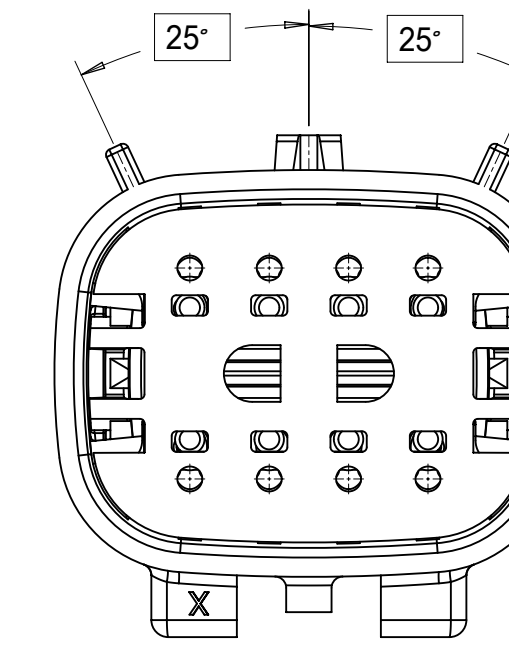
KEY A



KEY B



KEY C

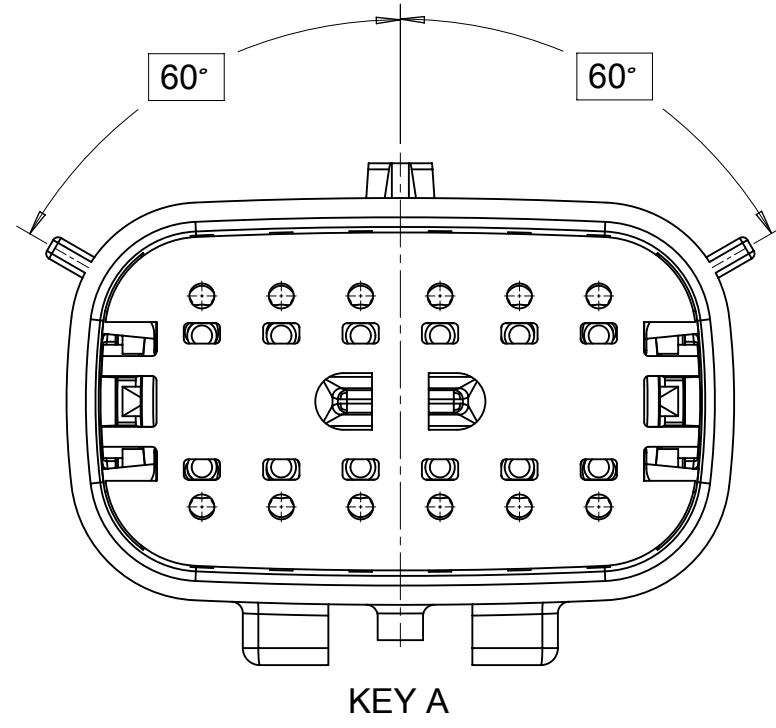


KEY D

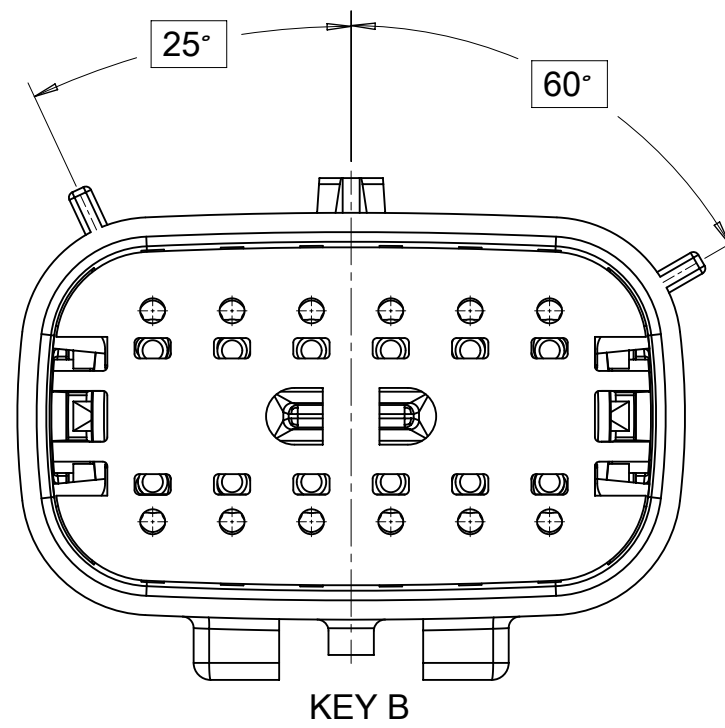
<p>SYMBOLS</p> <ul style="list-style-type: none"> ▽ = 0 ▽ = 0 ▽ = 0 ▽ = 0 ▽ = 0 ▽ = 0 ▽ = 0 ▽ = 0 ▽ = 0 ▽ = 0 ▽ = 0 ▽ = 0 ▽ = 0 ▽ = 0 ▽ = 0 ▽ = 0 ▽ = 0 ▽ = 0 ▽ = 0 ▽ = 0 ▽ = 0 	<p>THIS DRAWING CONTAINS INFORMATION THAT IS PROPRIETARY TO MOLEX ELECTRONIC TECHNOLOGIES, LLC AND SHOULD NOT BE USED WITHOUT WRITTEN PERMISSION</p>		<p>CURRENT REV DESC:</p>		<p style="font-size: 24pt; font-weight: bold; text-align: center;">molex</p> <p style="text-align: center;">MX150 BLADE DUAL ROW SEALED ASSEMBLY MAT SEAL</p> <p style="text-align: center;">PRODUCT CUSTOMER DRAWING</p>			
	<p>DIMENSION UNITS</p> <p style="font-size: 24pt; font-weight: bold; text-align: center;">mm</p>	<p>SCALE</p> <p style="font-size: 24pt; font-weight: bold; text-align: center;">3:1</p>	<p>GENERAL TOLERANCES (UNLESS SPECIFIED)</p>				<p>EC NO: 171650</p> <p>DRWN: PMANJUNATHAC 2018/01/03</p> <p>CHK'D: MVANSLAMBROU 2018/02/16</p> <p>APPR: MVANSLAMBROU 2018/02/16</p>	
	<p>ANGULAR TOL ± 1.0°</p>		<p>INITIAL REVISION:</p> <p>DRWN: APROFFITT 2014/04/28</p> <p>APPR: VKOSHY 2014/05/14</p>				<p>DOCUMENT NUMBER</p> <p style="font-size: 24pt; font-weight: bold; text-align: center;">SD-33482-0001</p>	<p>DOC TYPE DOC PART REVISION</p> <p style="text-align: center;">PSD 001 E2</p>
<p>DRAFT WHERE APPLICABLE MUST REMAIN WITHIN DIMENSIONS</p>		<p>THIRD ANGLE PROJECTION</p>	<p>DRAWING</p> <p style="font-size: 24pt; font-weight: bold; text-align: center;">A1-SIZE</p>	<p>SERIES</p> <p style="font-size: 24pt; font-weight: bold; text-align: center;">33482</p>	<p>MATERIAL NUMBER</p> <p style="text-align: center;">GENERAL MARKET</p>	<p>SHEET NUMBER</p> <p style="text-align: center;">3 OF 11</p>		

SHEET DESCRIPTION
KEY CONFIGURATIONS CONT.

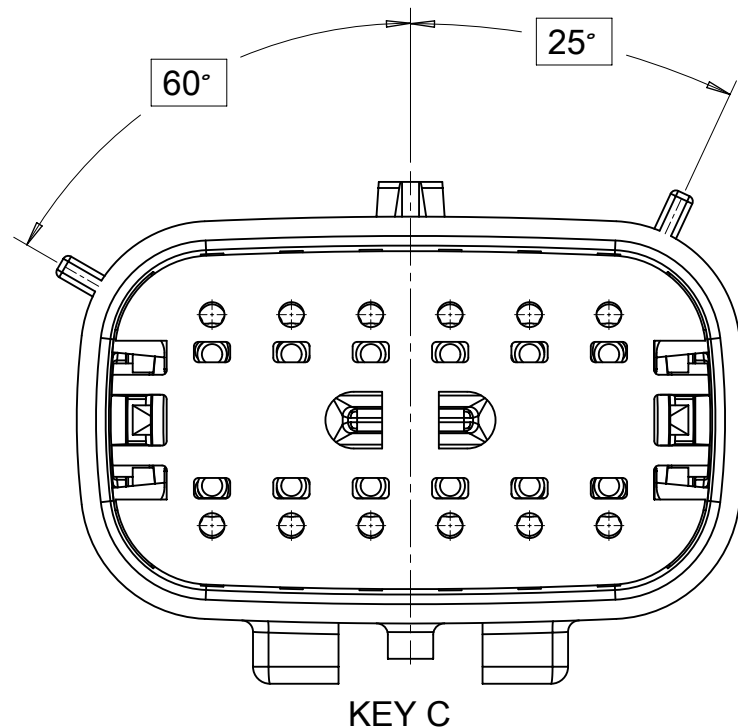
2X6



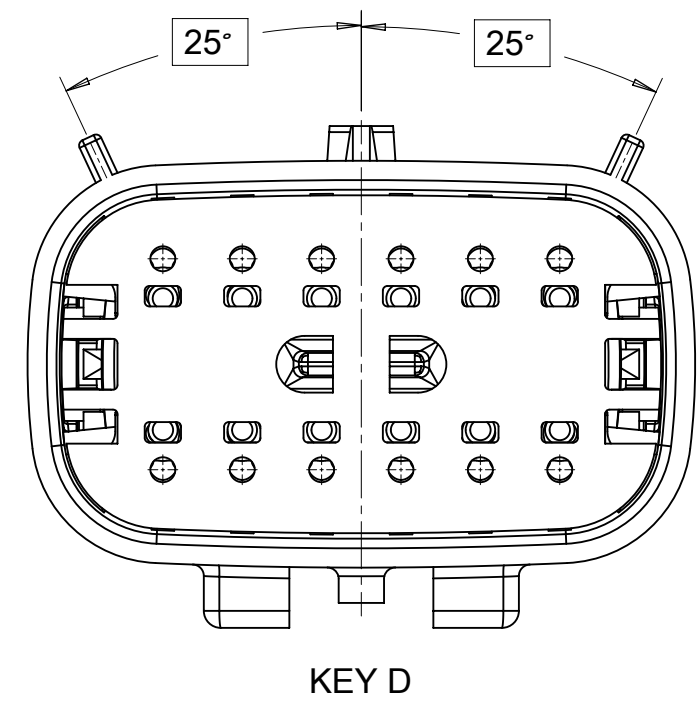
KEY A



KEY B

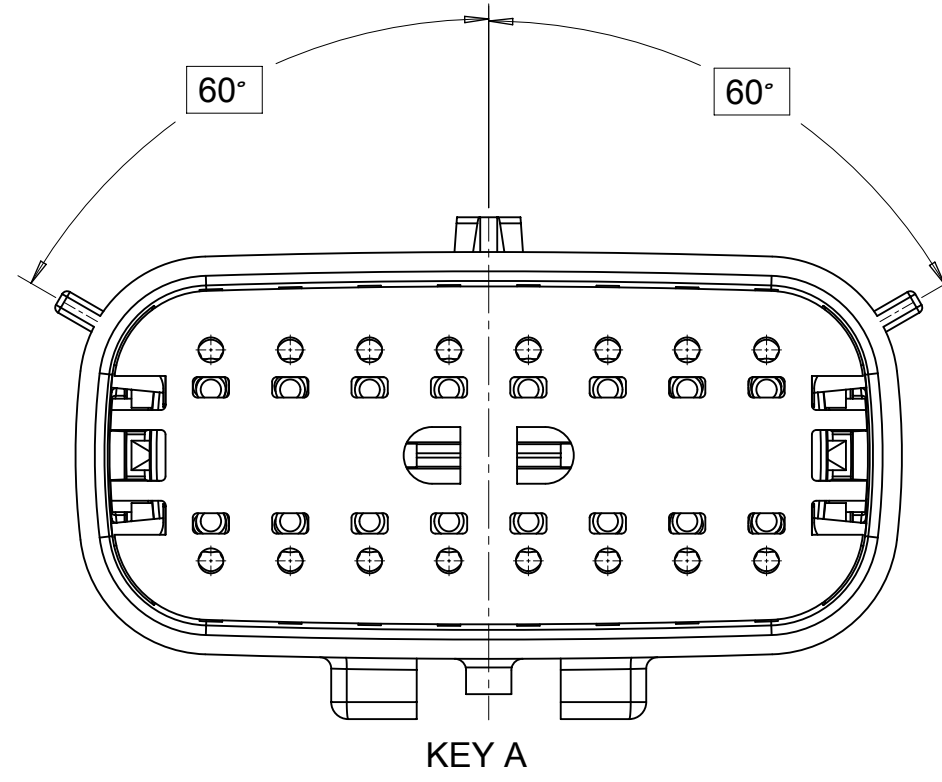


KEY C

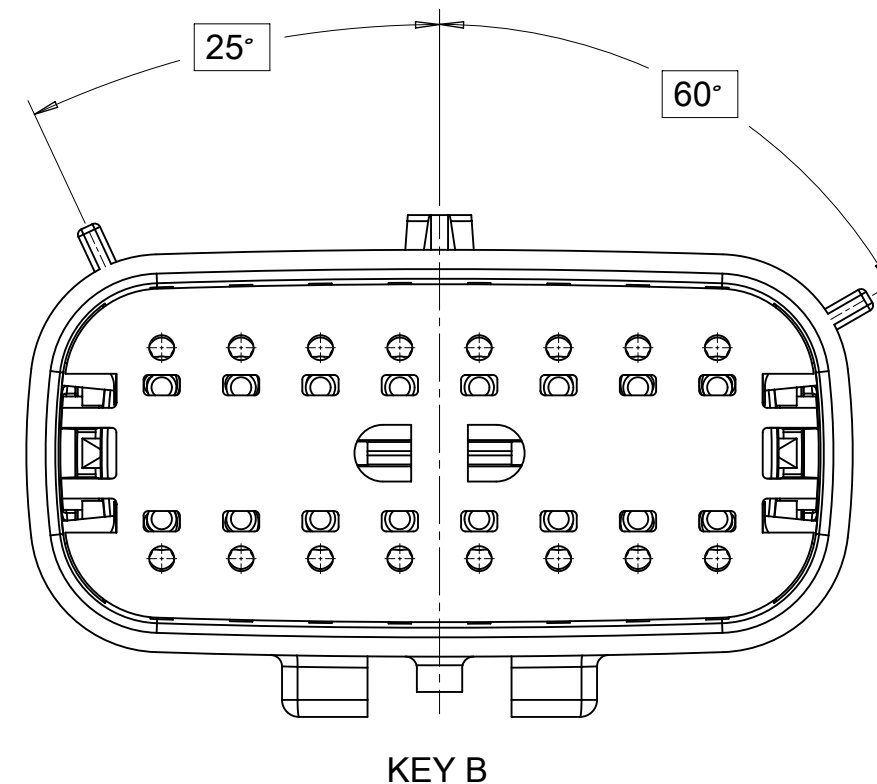


KEY D

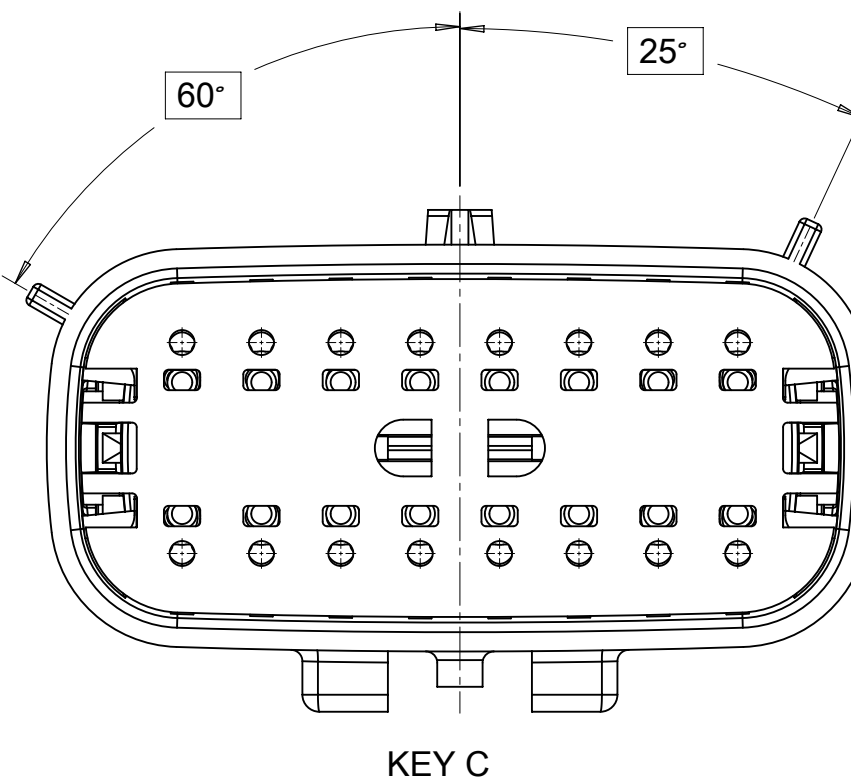
2X8



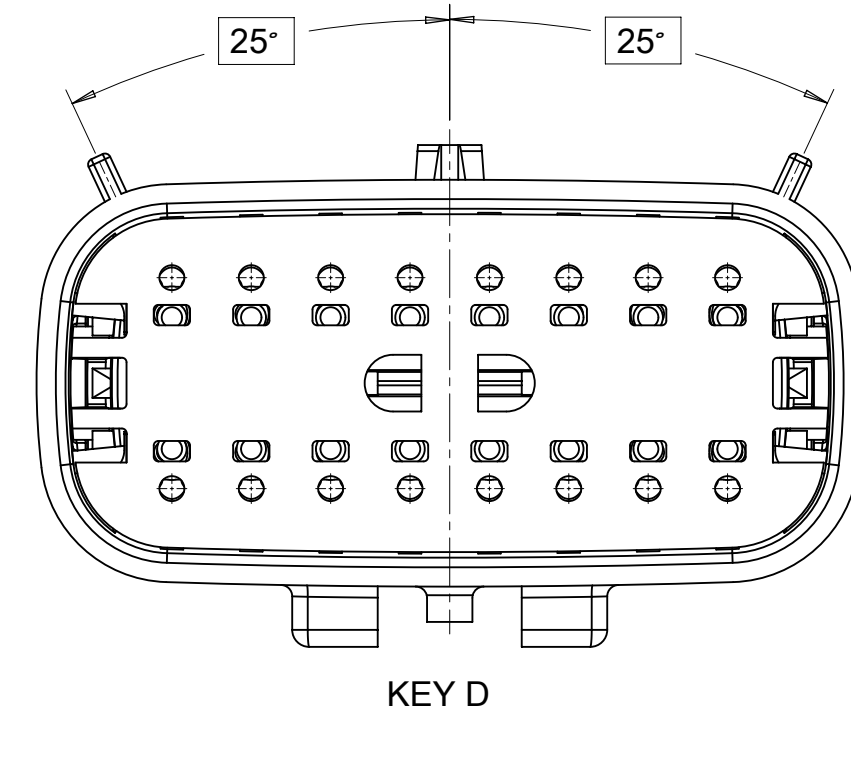
KEY A



KEY B

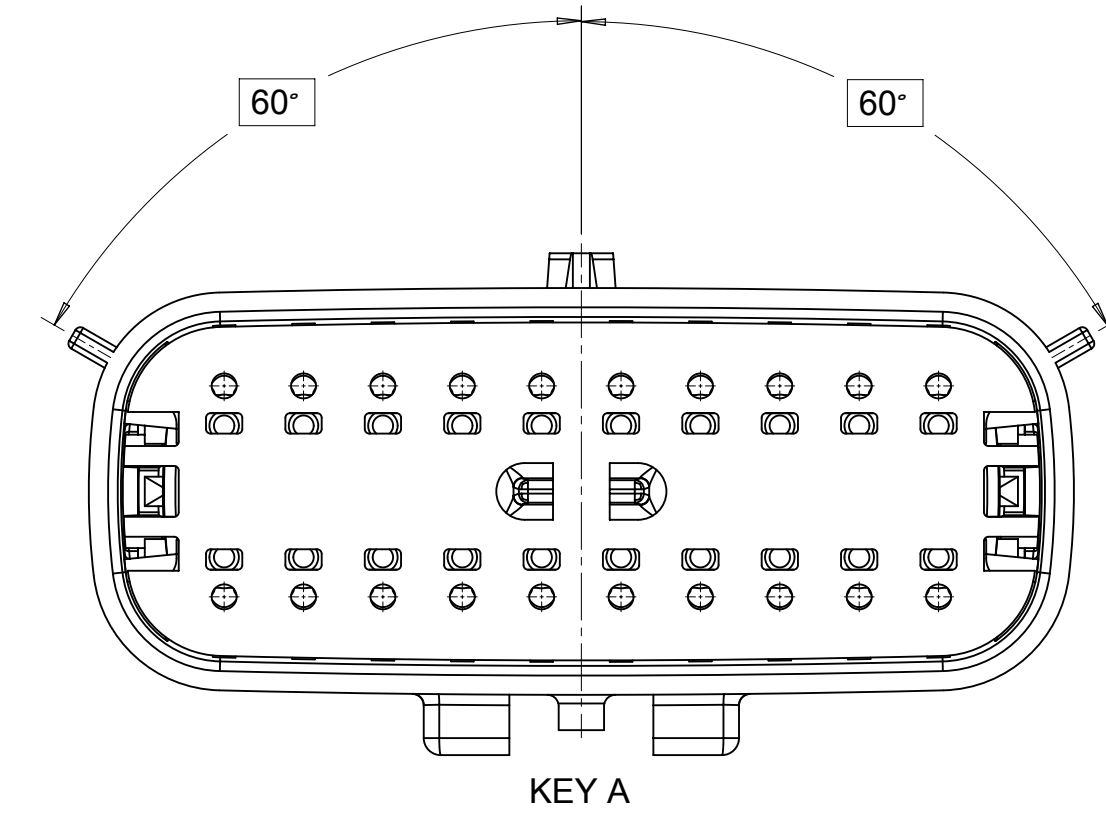


KEY C

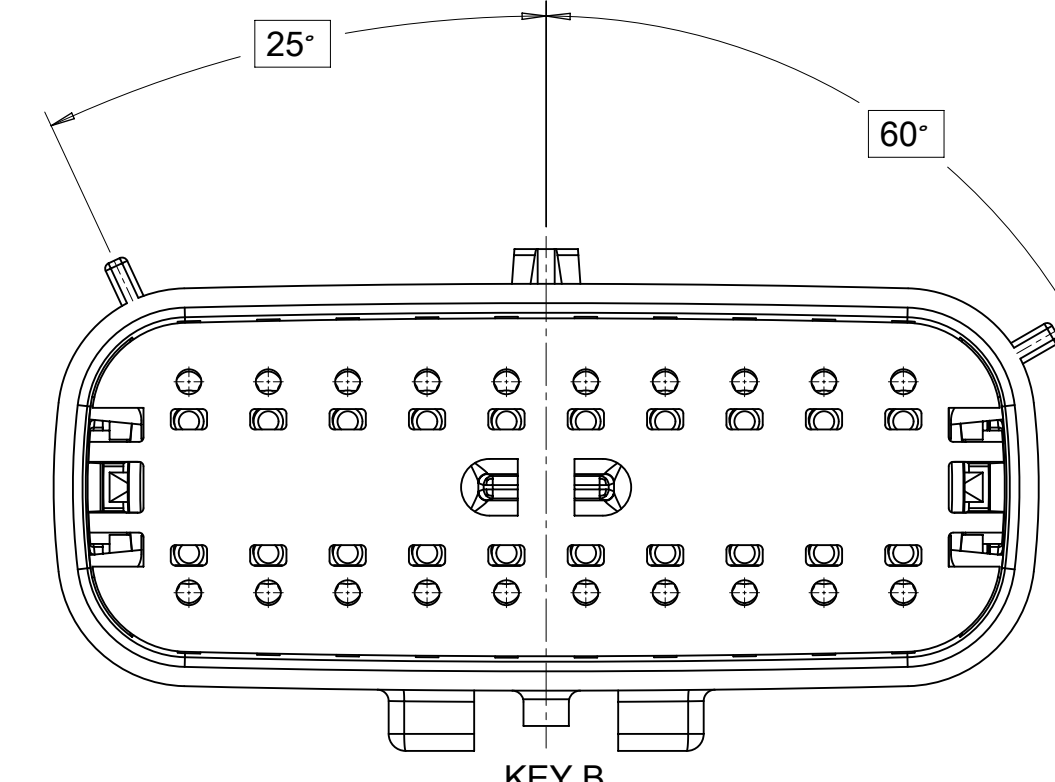


KEY D

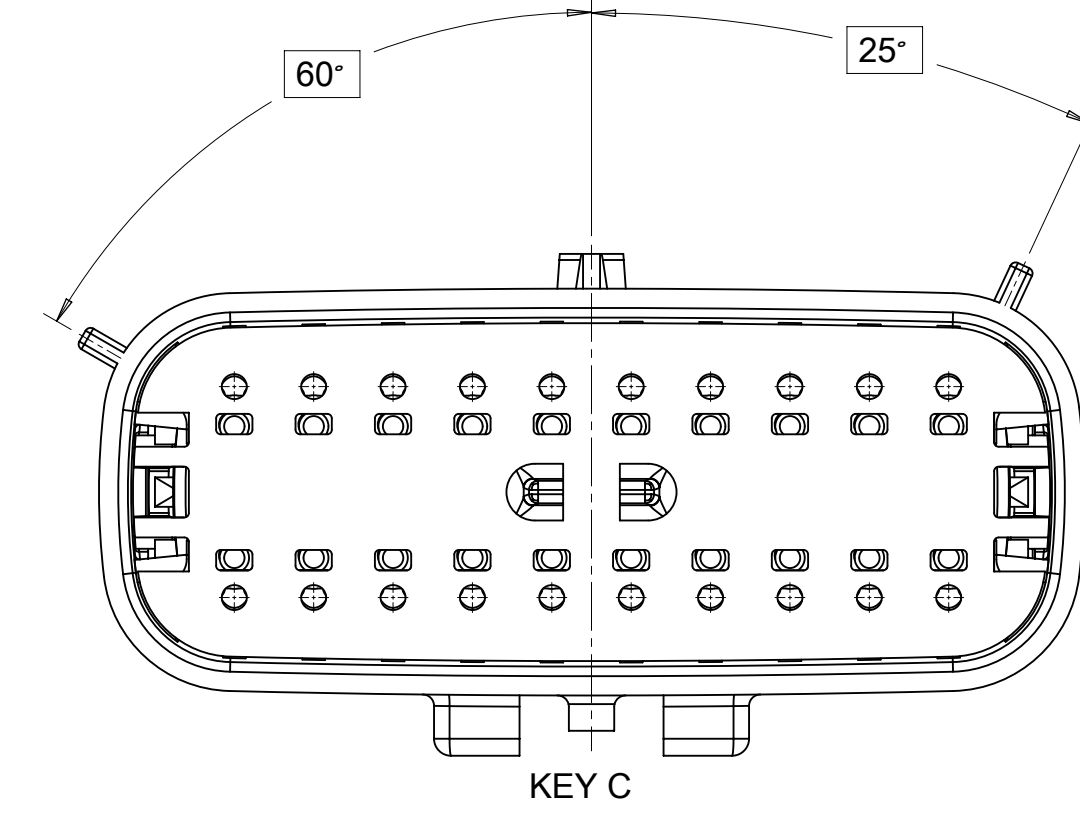
2X10



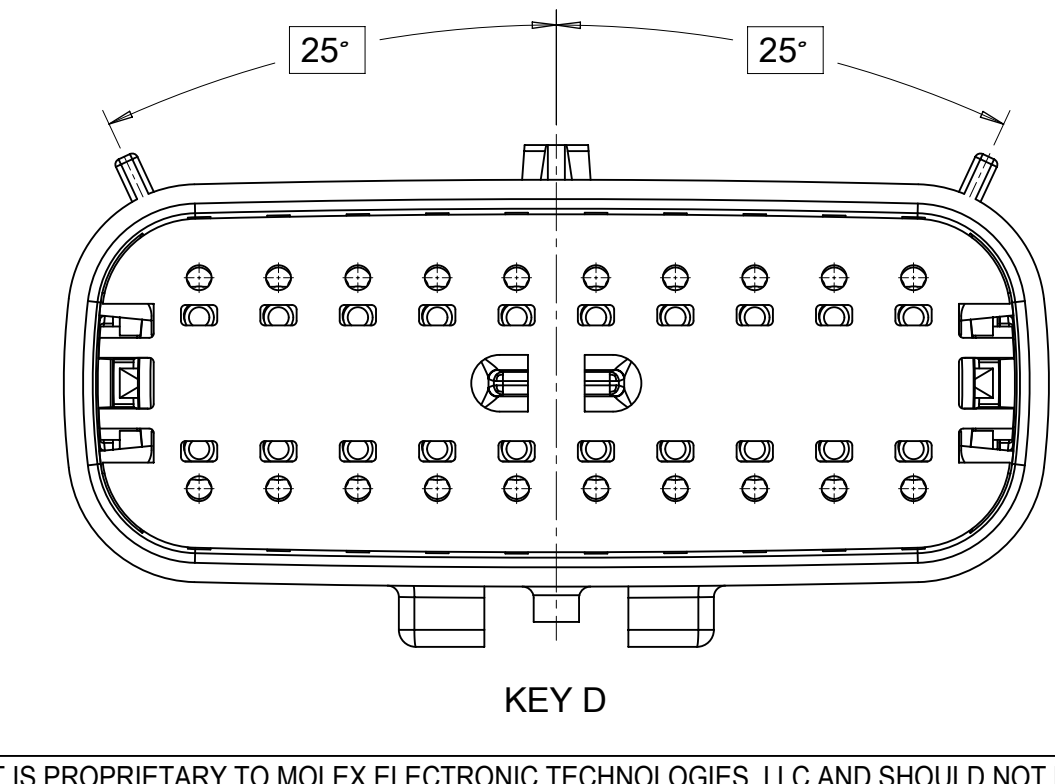
KEY A



KEY B



KEY C

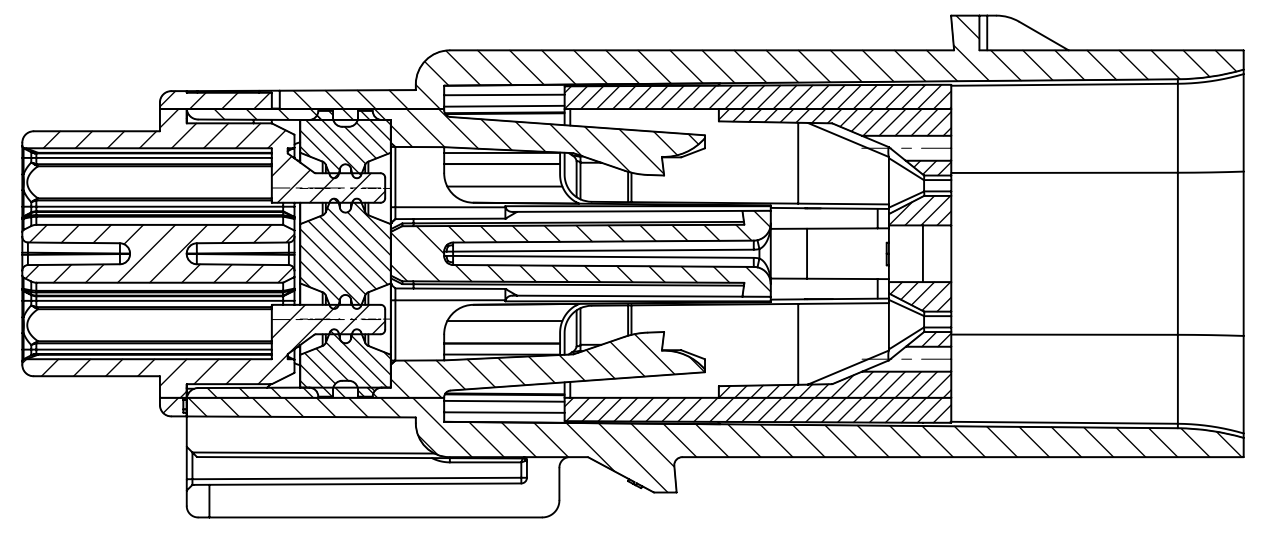
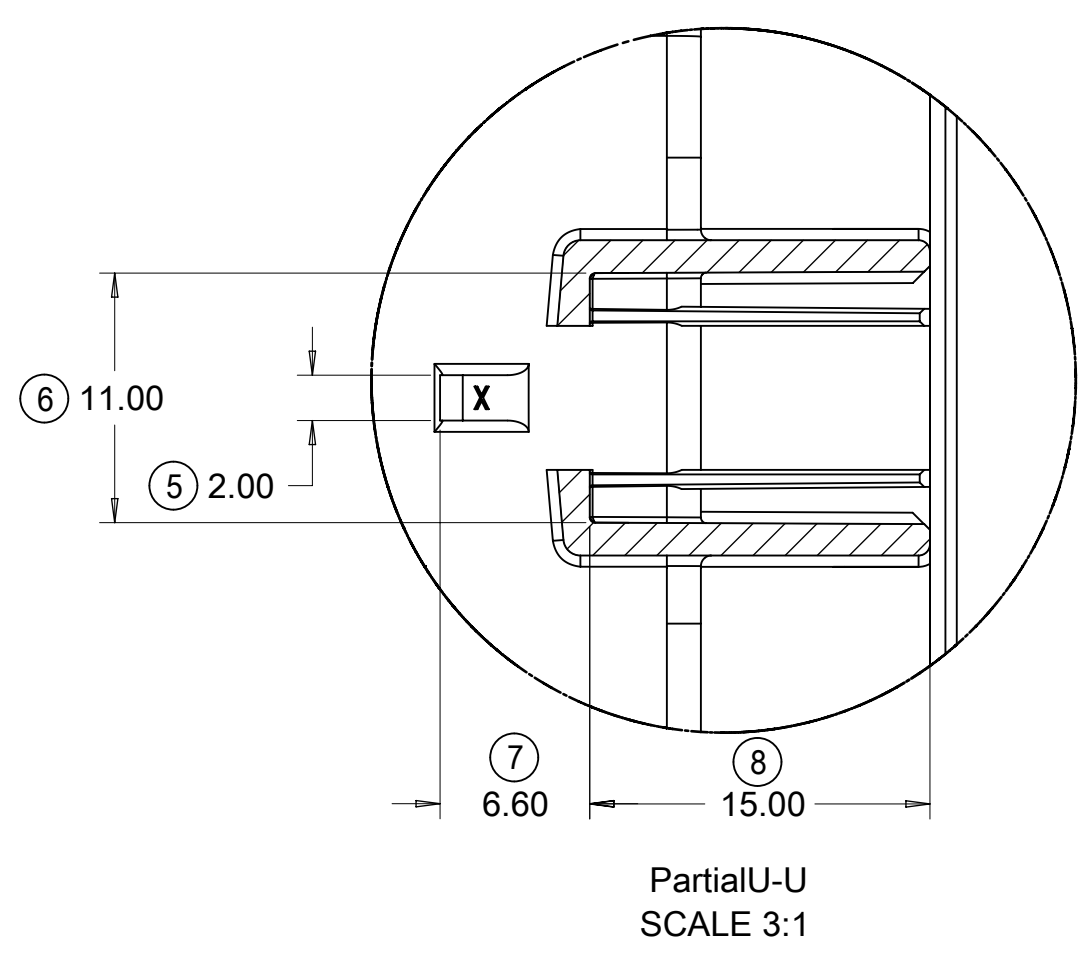
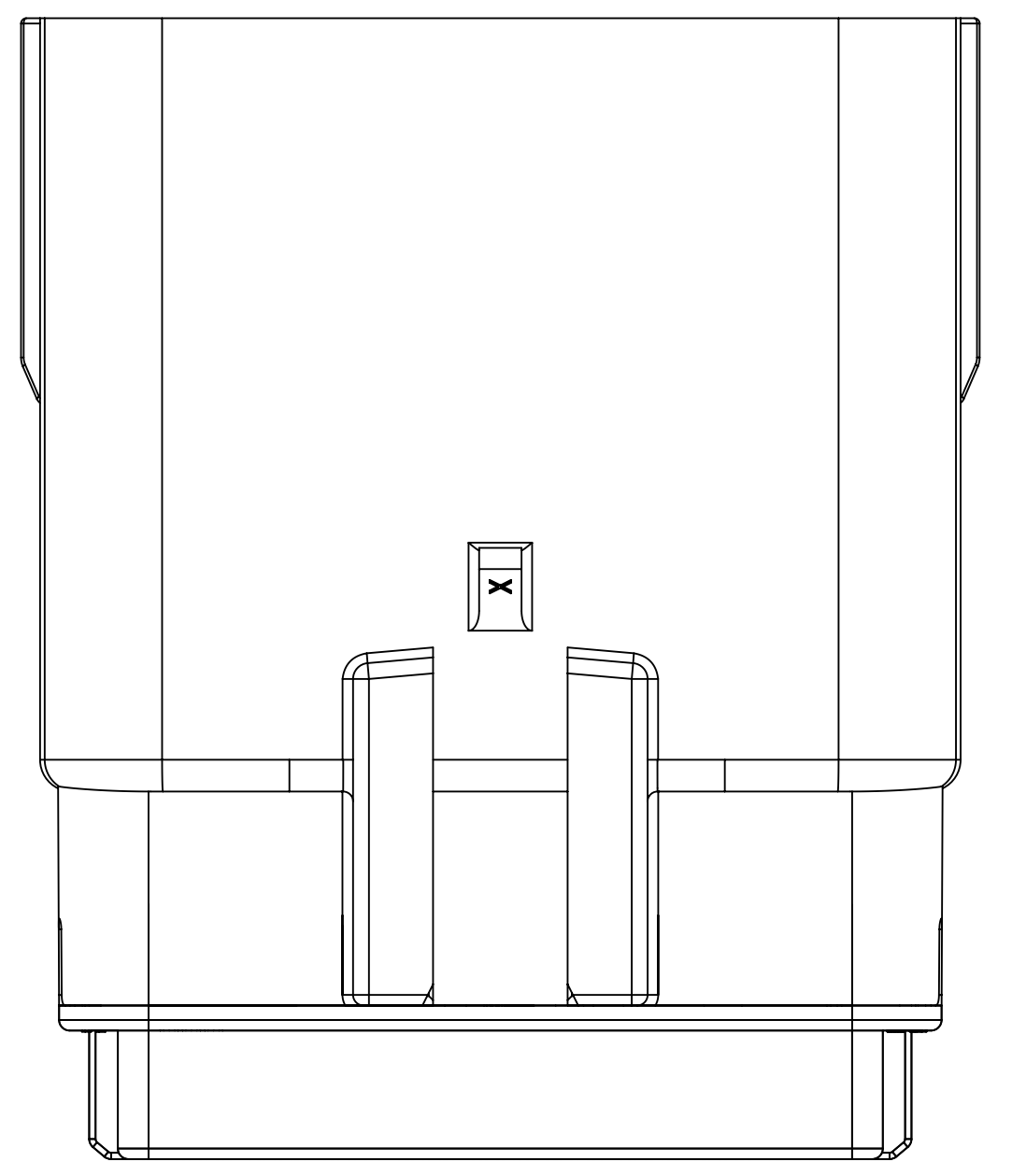
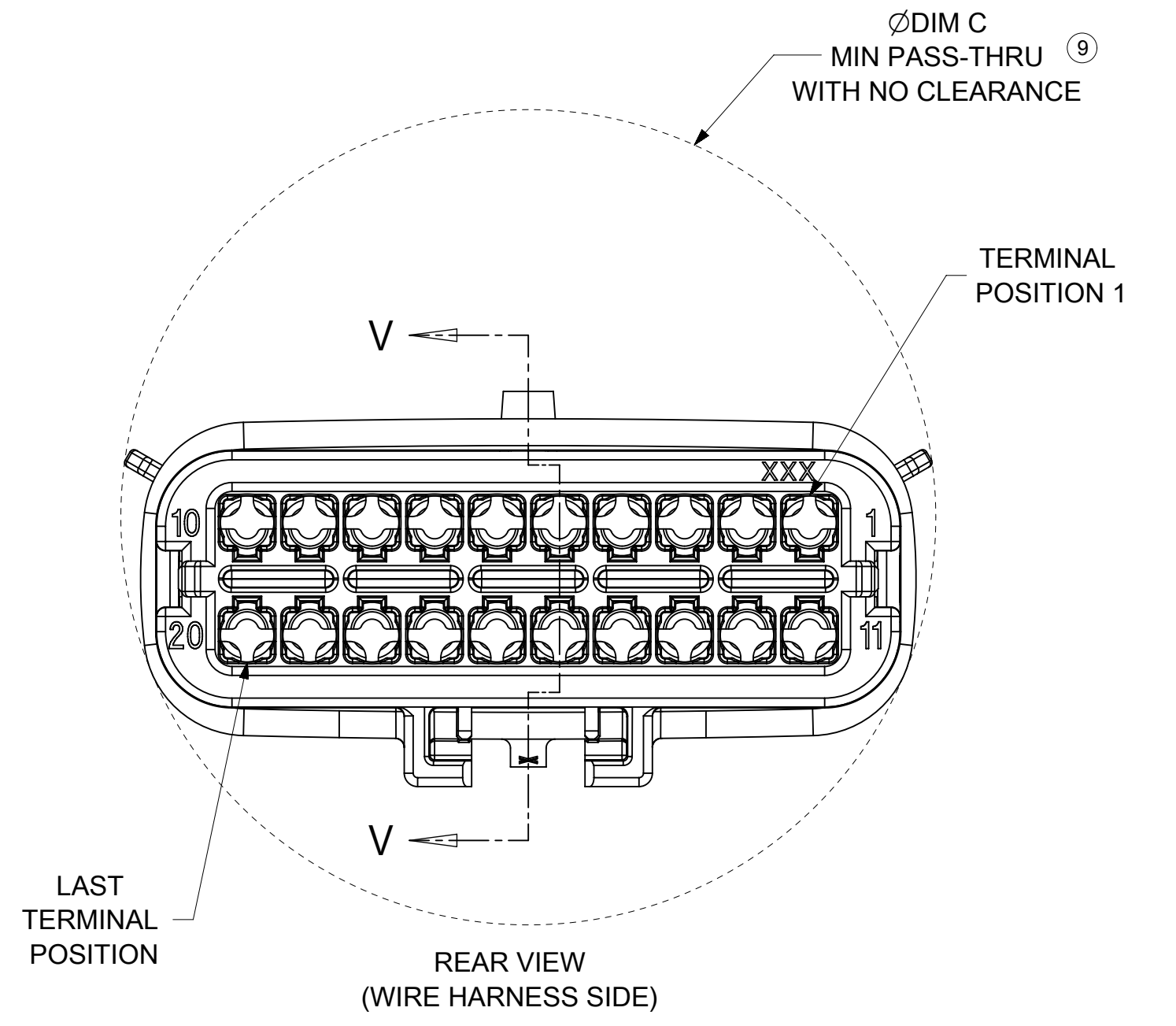
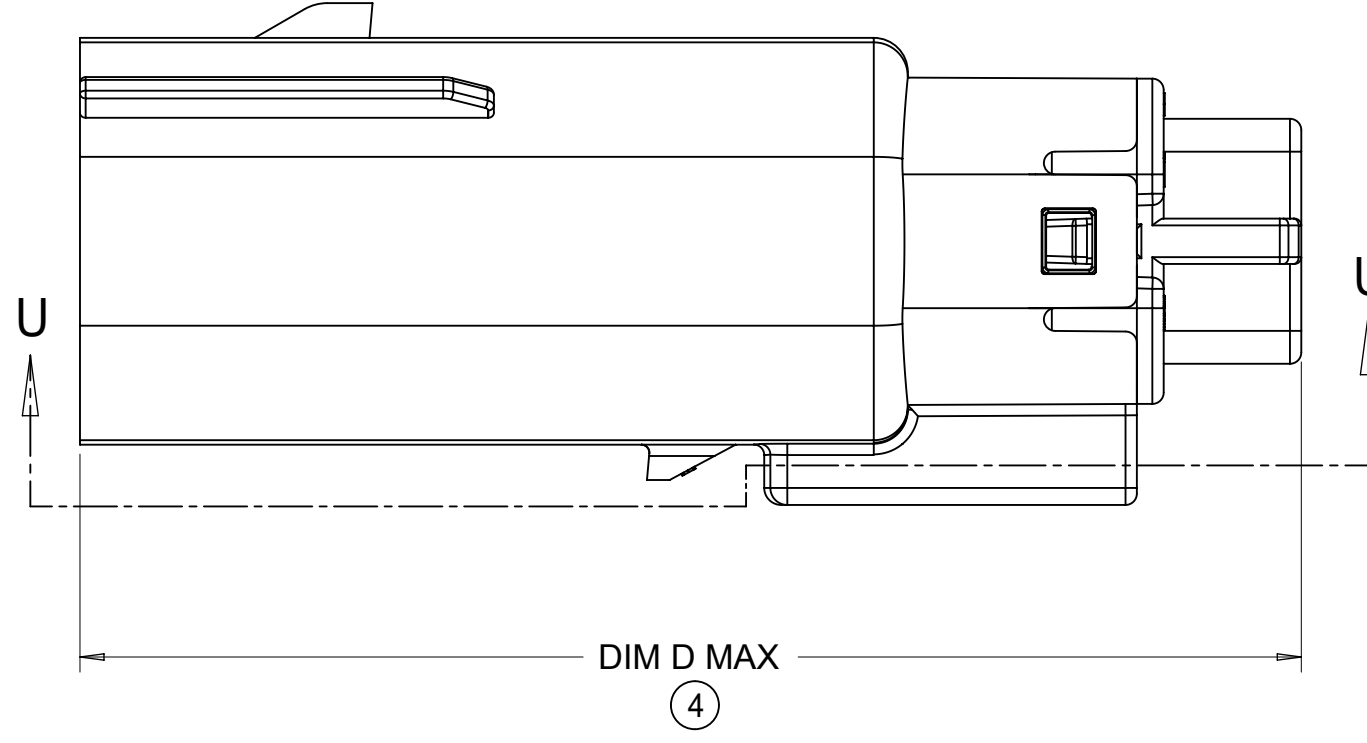
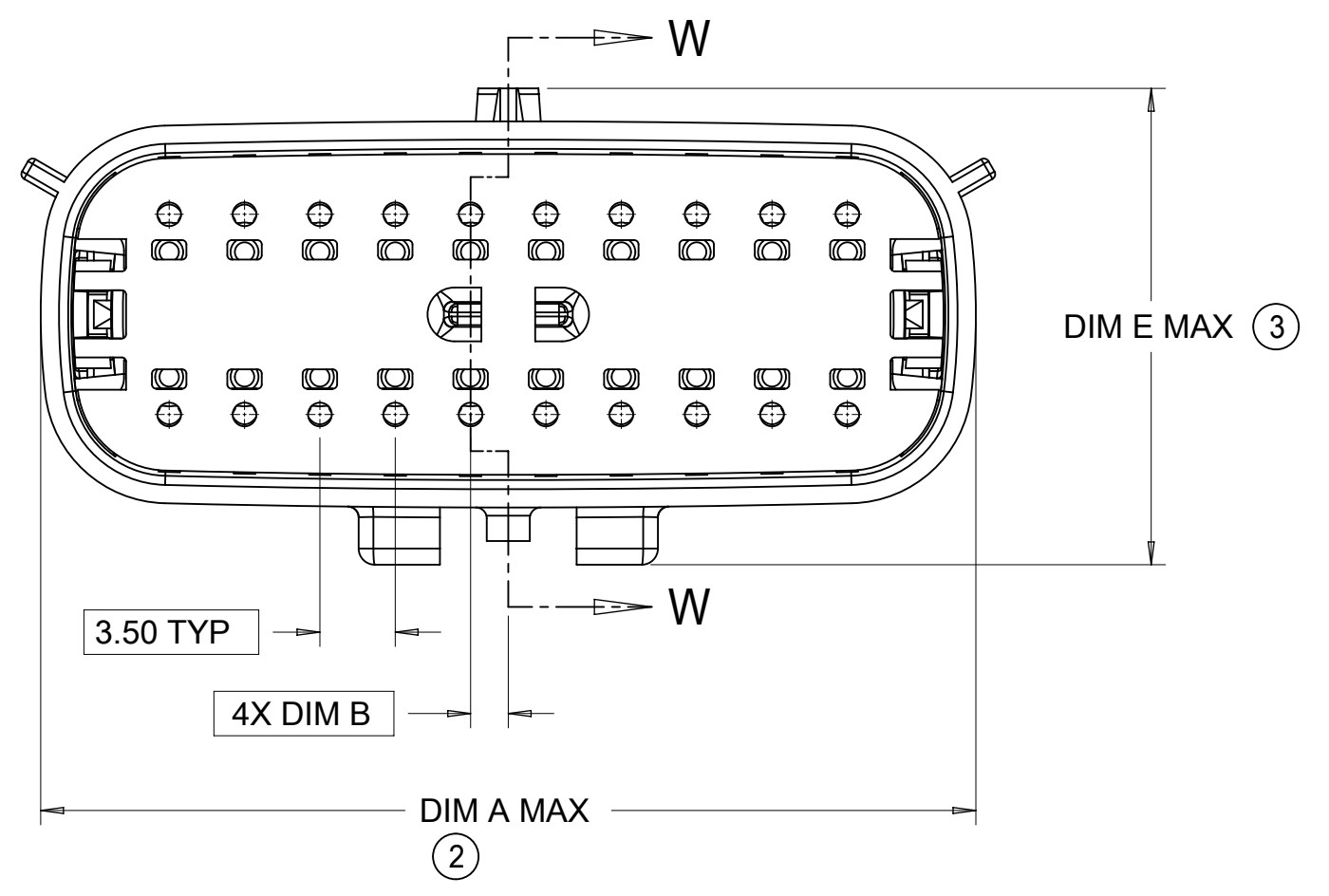
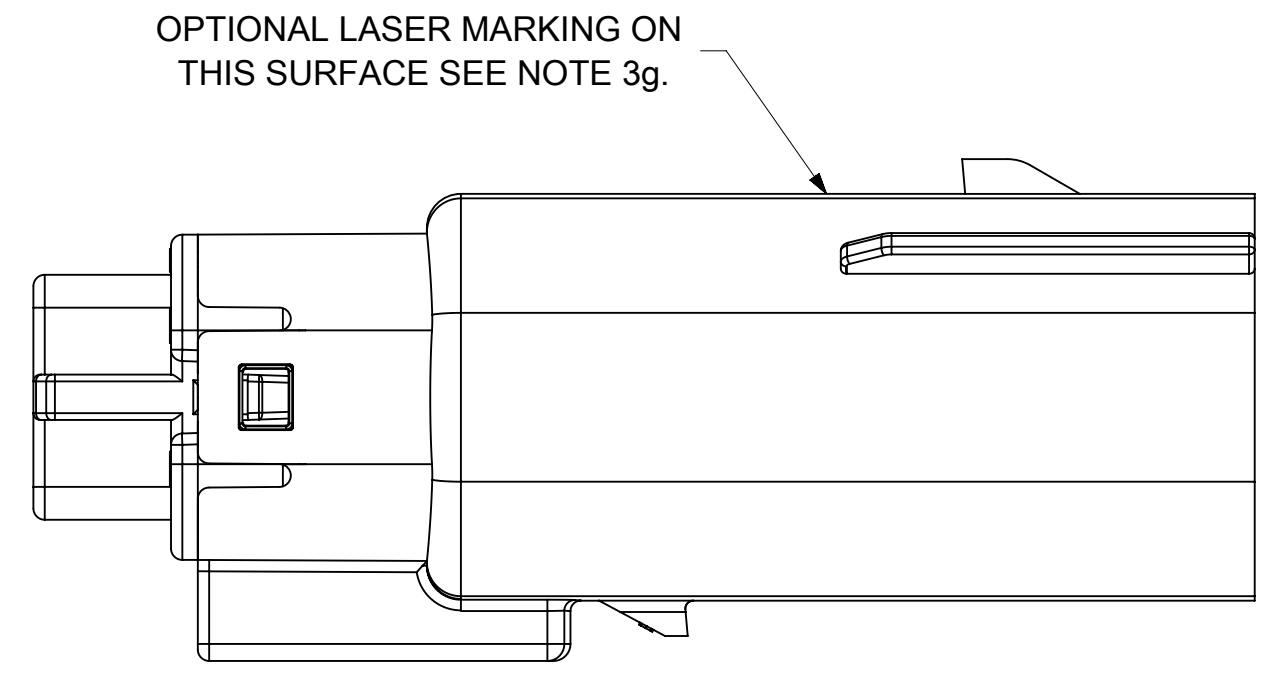


KEY D

SYMBOLS = 0 = 0 = 0 = 0 = 0 = 0 = 0 = 0 = 0 = 0	THIS DRAWING CONTAINS INFORMATION THAT IS PROPRIETARY TO MOLEX ELECTRONIC TECHNOLOGIES, LLC AND SHOULD NOT BE USED WITHOUT WRITTEN PERMISSION DIMENSION UNITS: mm SCALE: 3:1	CURRENT REV DESC: EC NO: 171650 DRWN: PMANJUNATHAC 2018/01/03 CHK'D: MVANSLAMBROU 2018/02/16 APPR: MVANSLAMBROU 2018/02/16	 MX150 BLADE DUAL ROW SEALED ASSEMBLY MAT SEAL		
	GENERAL TOLERANCES (UNLESS SPECIFIED) ANGULAR TOL ± 1.0° 4 PLACES ± 3 PLACES ± 2 PLACES ± 0.1 1 PLACE ± 0.2 0 PLACES ±	INITIAL REVISION: DRWN: APROFFITT 2014/04/28 APPR: VKOSHY 2014/05/14			
DRAFT WHERE APPLICABLE MUST REMAIN WITHIN DIMENSIONS	THIRD ANGLE PROJECTION 	DRAWING: A1-SIZE SERIES: 33482	MATERIAL NUMBER CUSTOMER: GENERAL MARKET	SHEET NUMBER 4 OF 11	

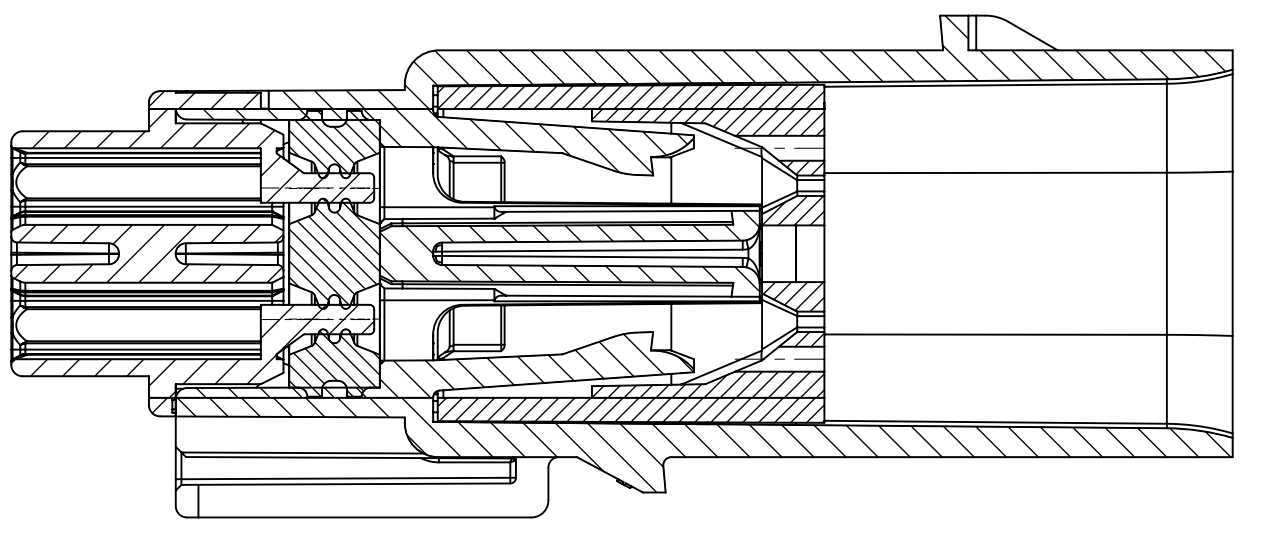
SHEET DESCRIPTION
BLADE SEALED ASSEMBLY

DESCRIPTION	DIMENSIONS				
	A	B	C	D	E
2X2	15.54	1.75	24.40	54.45	22.23
2X3 STANDARD	19.04	3.50	26.21	54.45	22.23
2X3 LENGTHENED	19.04	3.50	26.21	56.45	22.23
2X4	22.54	1.75	27.21	54.45	22.23
2X6	29.54	1.75	32.27	54.45	22.23
2X8	36.54	1.75	38.88	54.45	22.23
2X10	43.64	1.75	45.65	54.45	22.05



PRIMARY LOCK REINFORCEMENT (PLR) SHOWN IN PRE-STAGED POSITION

SECTION W-W



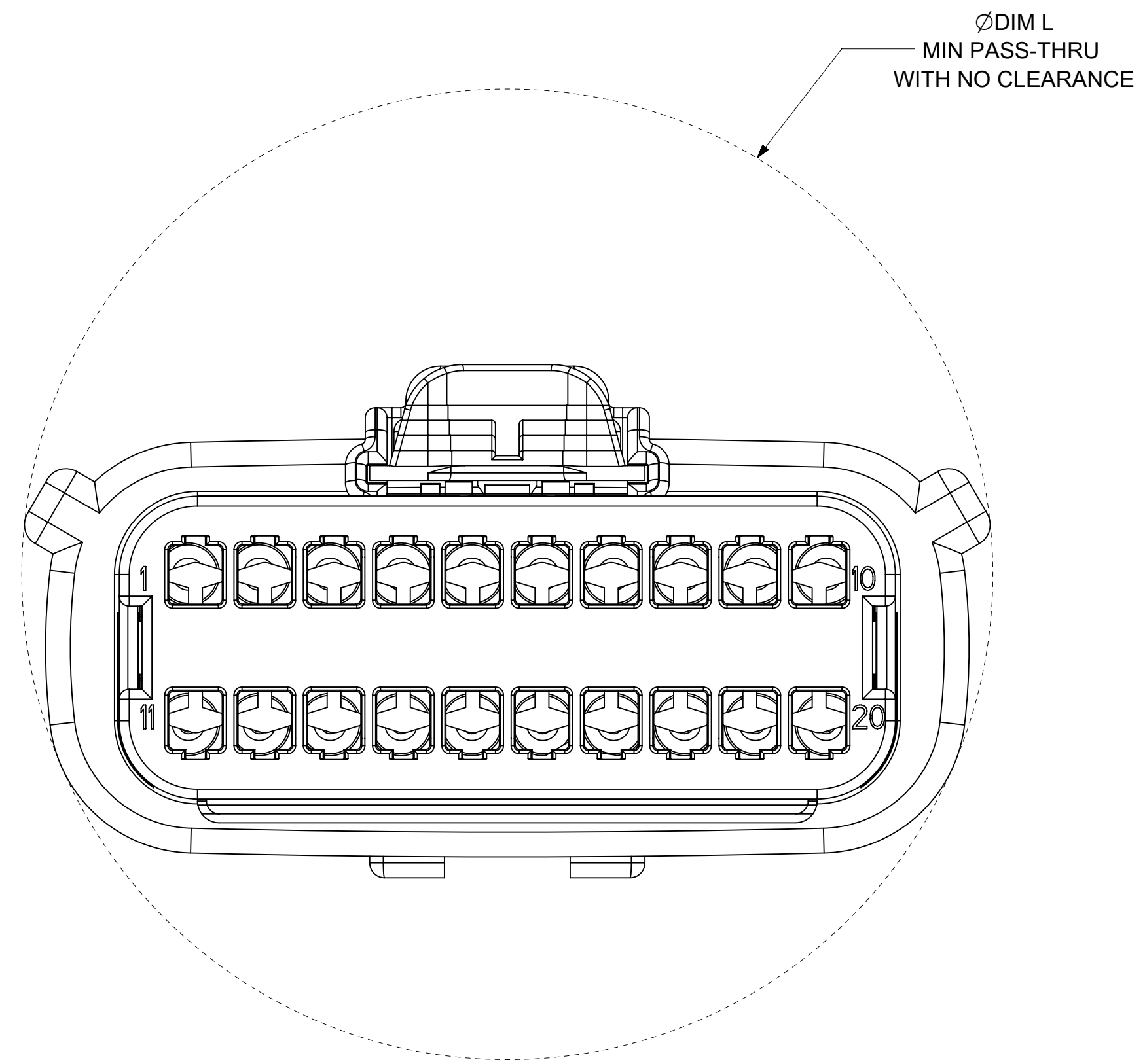
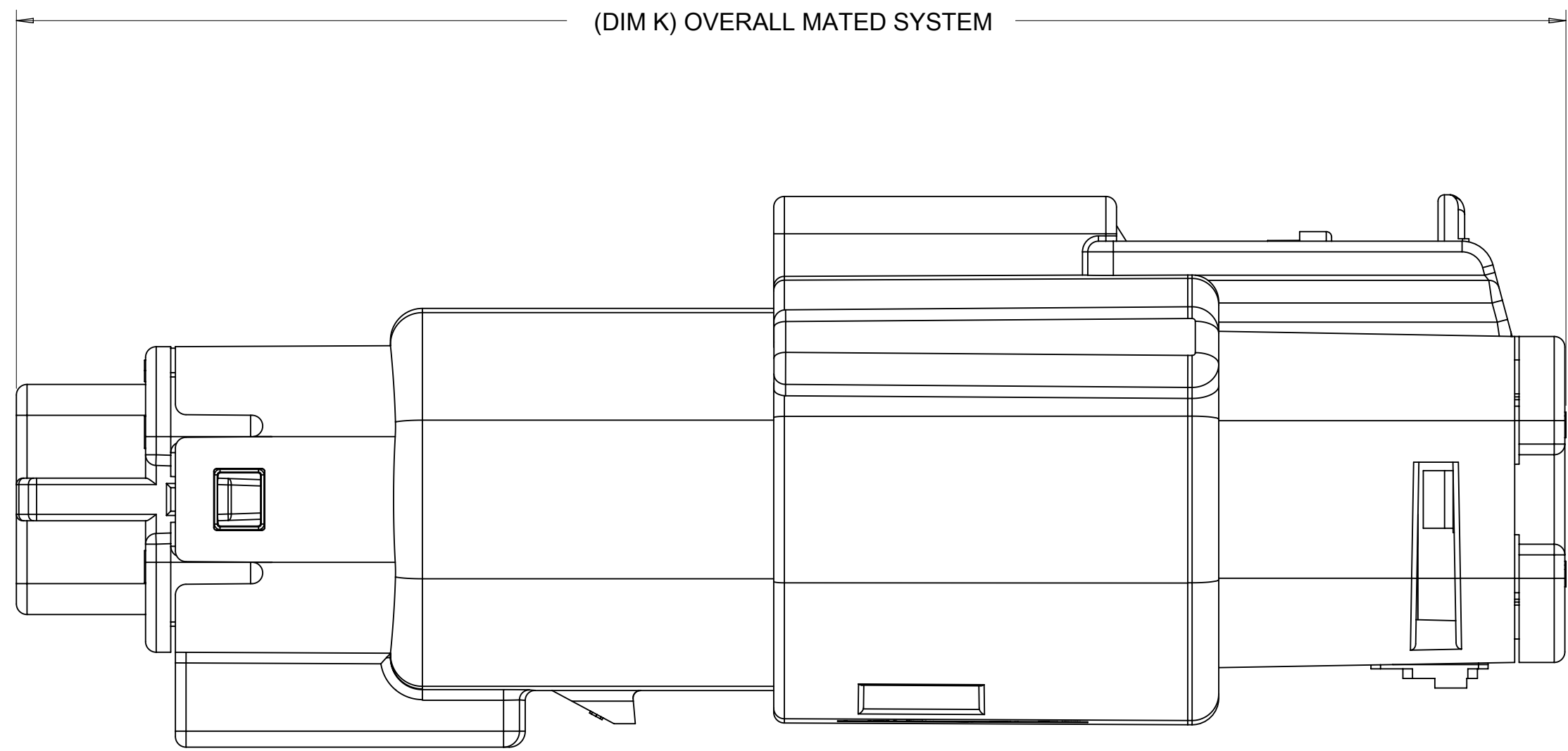
PRIMARY LOCK REINFORCEMENT (PLR) SHOWN IN FINAL-LOCK POSITION

SECTION V-V

SYMBOLS THIS DRAWING CONTAINS INFORMATION THAT IS PROPRIETARY TO MOLEX ELECTRONIC TECHNOLOGIES, LLC AND SHOULD NOT BE USED WITHOUT WRITTEN PERMISSION DIMENSION UNITS: mm SCALE: 3:1 GENERAL TOLERANCES (UNLESS SPECIFIED): ANGULAR TOL: ± 1.0° 4 PLACES ± 3 PLACES ± 2 PLACES ± 0.1 1 PLACE ± 0.2 0 PLACES ± DRAFT WHERE APPLICABLE MUST REMAIN WITHIN DIMENSIONS	CURRENT REV DESC: EC NO: 171650 DRWN: PMANJUNATHAC 2018/01/03 CHK'D: MVANSLAMBROU 2018/02/16 APPR: MVANSLAMBROU 2018/02/16 INITIAL REVISION: DRWN: APROFFITT 2014/04/28 APPR: VKOSHY 2014/05/14	 MX150 BLADE DUAL ROW SEALED ASSEMBLY MAT SEAL	
	PRODUCT CUSTOMER DRAWING DOCUMENT NUMBER: SD-33482-0001 DOC TYPE: PSD DOC PART: 001 REVISION: E2		
THIRD ANGLE PROJECTION 	DRAWING: A1-SIZE SERIES: 33482	MATERIAL NUMBER: GENERAL MARKET	SHEET NUMBER: 5 OF 11

SHEET DESCRIPTION
SYSTEM PACKAGING

CHARTED DIMENSION				
CKT	BLADE CONFIGURATION	RECEPTACLE CONFIGURATION	DIMENSIONS	
			K	L
2X2	STANDARD	W/O CLIPSLOT	72.78	28.00
		W/ CLIPSLOT	72.78	28.50
		LENGTHENED	77.21	28.00
2X3	STANDARD	W/O CLIPSLOT	72.78	28.00
		W/ CLIPSLOT		30.50
	LENGTHENED	W/O CLIPSLOT	74.79	28.00
		W/ CLIPSLOT		30.50
2X4	STANDARD	W/O CLIPSLOT	72.78	29.50
		W/ CLIPSLOT		31.50
2X6	STANDARD	W/O CLIPSLOT	72.79	35.58
		W/ CLIPSLOT		
2X8	STANDARD	W/O CLIPSLOT	72.67	42.25
		W/ CLIPSLOT		
2X10	STANDARD	STANDARD	72.78	49.05



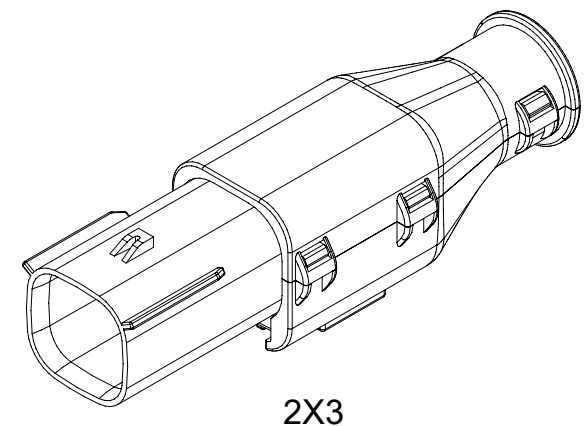
SYMBOLS THIS DRAWING CONTAINS INFORMATION THAT IS PROPRIETARY TO MOLEX ELECTRONIC TECHNOLOGIES, LLC AND SHOULD NOT BE USED WITHOUT WRITTEN PERMISSION DIMENSION UNITS: mm SCALE: 4:1 GENERAL TOLERANCES (UNLESS SPECIFIED) ANGULAR TOL: ± 1.0° 4 PLACES: ± 3 PLACES: ± 2 PLACES: ± 0.1 1 PLACE: ± 0.2 0 PLACES: ± DRAFT WHERE APPLICABLE MUST REMAIN WITHIN DIMENSIONS	CURRENT REV DESC: EC NO: 171650 DRWN: PMANJUNATHAC 2018/01/03 CHK'D: MVANSLAMBROU 2018/02/16 APPR: MVANSLAMBROU 2018/02/16 INITIAL REVISION: DRWN: APROFFITT 2014/04/28 APPR: VKOSHY 2014/05/14		 MX150 BLADE DUAL ROW SEALED ASSEMBLY MAT SEAL PRODUCT CUSTOMER DRAWING		
	THIRD ANGLE PROJECTION A1-SIZE				
MATERIAL NUMBER 33482		CUSTOMER GENERAL MARKET		SHEET NUMBER 6 OF 11	

SHEET DESCRIPTION
BACKSHELL NOTES

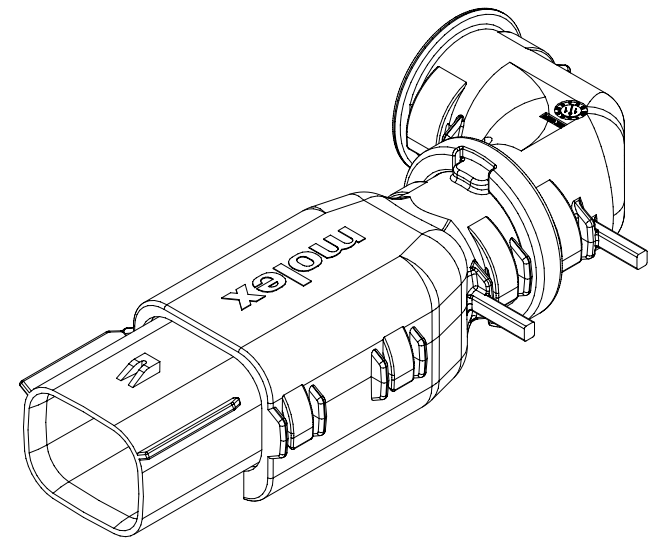
BACKSHELL NOTES: VALID UNLESS OTHERWISE SPECIFIED

1. GENERAL:

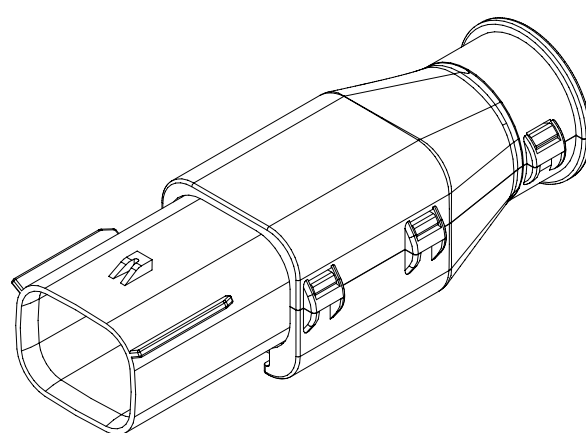
- a. APPLICATION SPECIFICATION SEE: AS-34951-001
- DESIGNED TO MATE WITH BLADE SEALED ASSEMBLY SPECIFIED IN MOLEX DRAWING SD-33482-0001.
- SYSTEM TO BE USED WITH WIRE WITHIN DIAMETER RANGE OF 1.2mm TO 2.69mm.
- COMPONENTS ARE OPTIONAL AND MUST BE PURCHASED SEPERATELY.
- DESIGN IS OWNED BY SCHLEMMER FOR SCHLEMMER BACKSHELL.
- DESIGN IS OWNED BY MOLEX FOR MOLEX BACKSHELL.
- 90° ADAPTOR DESIGN IS OWNED BY MOLEX.
- FOR ADDITIONAL INFORMATION SEE THE BACKSHELL COMPONENT DRAWING SD-34950-0001.



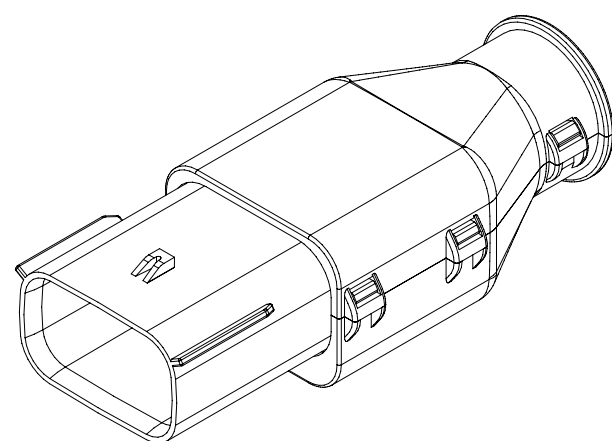
2X3



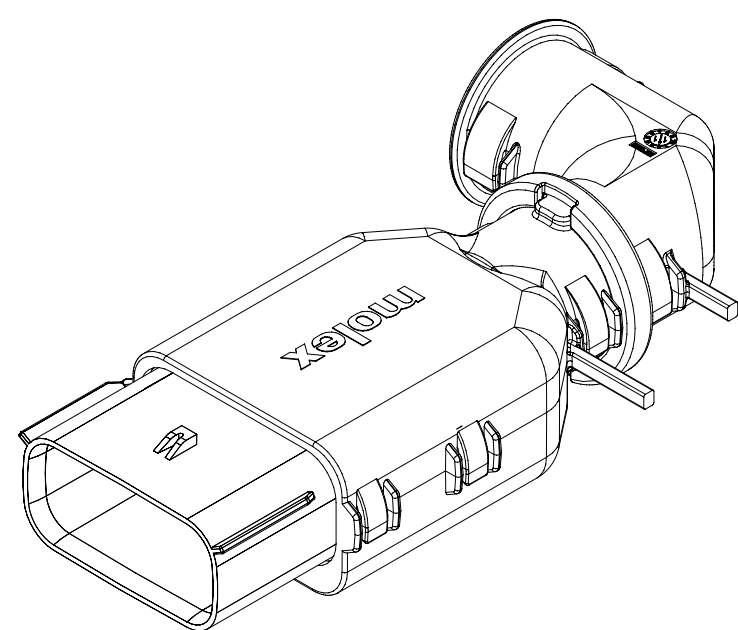
2X4



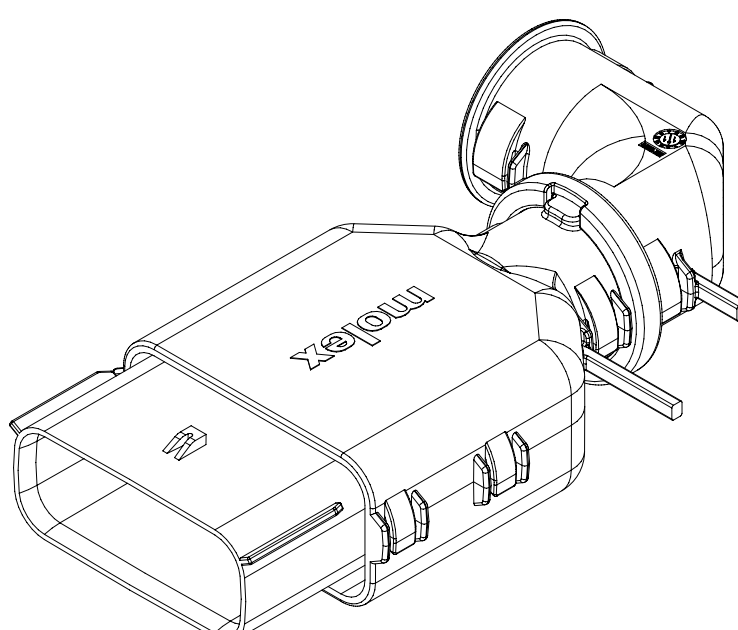
2X4



2X6



2X8



2X10

BACKSHELL CUSTOMER MODEL NUMBER LEGEND

34950-XXXX

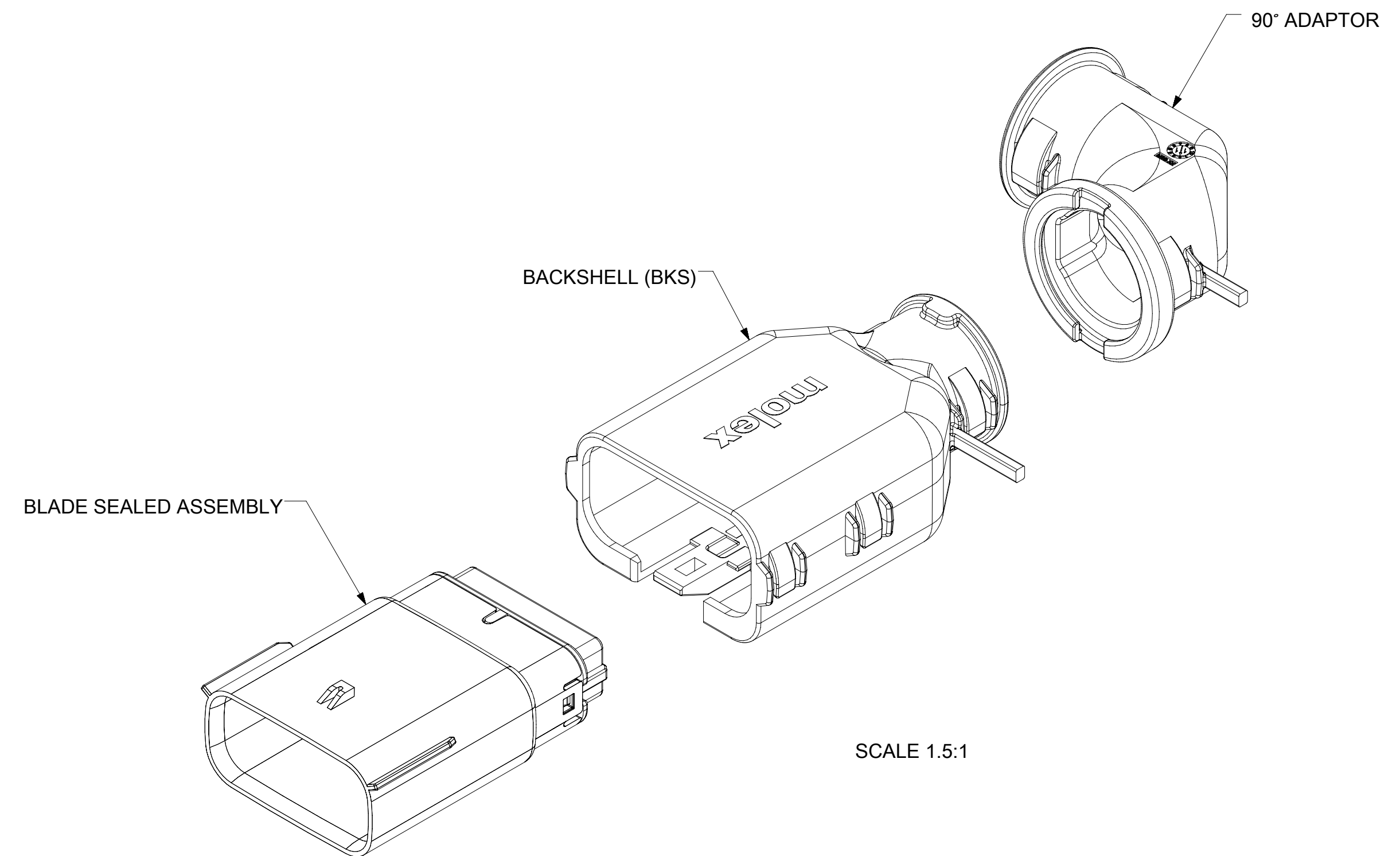
CUSTOMER MODEL COMPONENTS

- 0 - SCHLEMMER BACKSHELL ONLY
- 1 - SCHLEMMER BACKSHELL & MX150 HOUSING KEY A ASSEMBLY
- 2 - SCHLEMMER BACKSHELL & MX150 HOUSING KEY B ASSEMBLY
- 3 - SCHLEMMER BACKSHELL & MX150 HOUSING KEY C ASSEMBLY
- 4 - SCHLEMMER BACKSHELL & MX150 HOUSING KEY D ASSEMBLY
- 5 - MOLEX BACKSHELL ONLY
- 6 - MOLEX BACKSHELL & MX150 HOUSING KEY A ASSEMBLY
- 7 - MOLEX BACKSHELL & MX150 HOUSING KEY B ASSEMBLY
- 8 - MOLEX BACKSHELL & MX150 HOUSING KEY C ASSEMBLY
- 9 - MOLEX BACKSHELL & MX150 HOUSING KEY D ASSEMBLY

BACKSHELL FEATURES

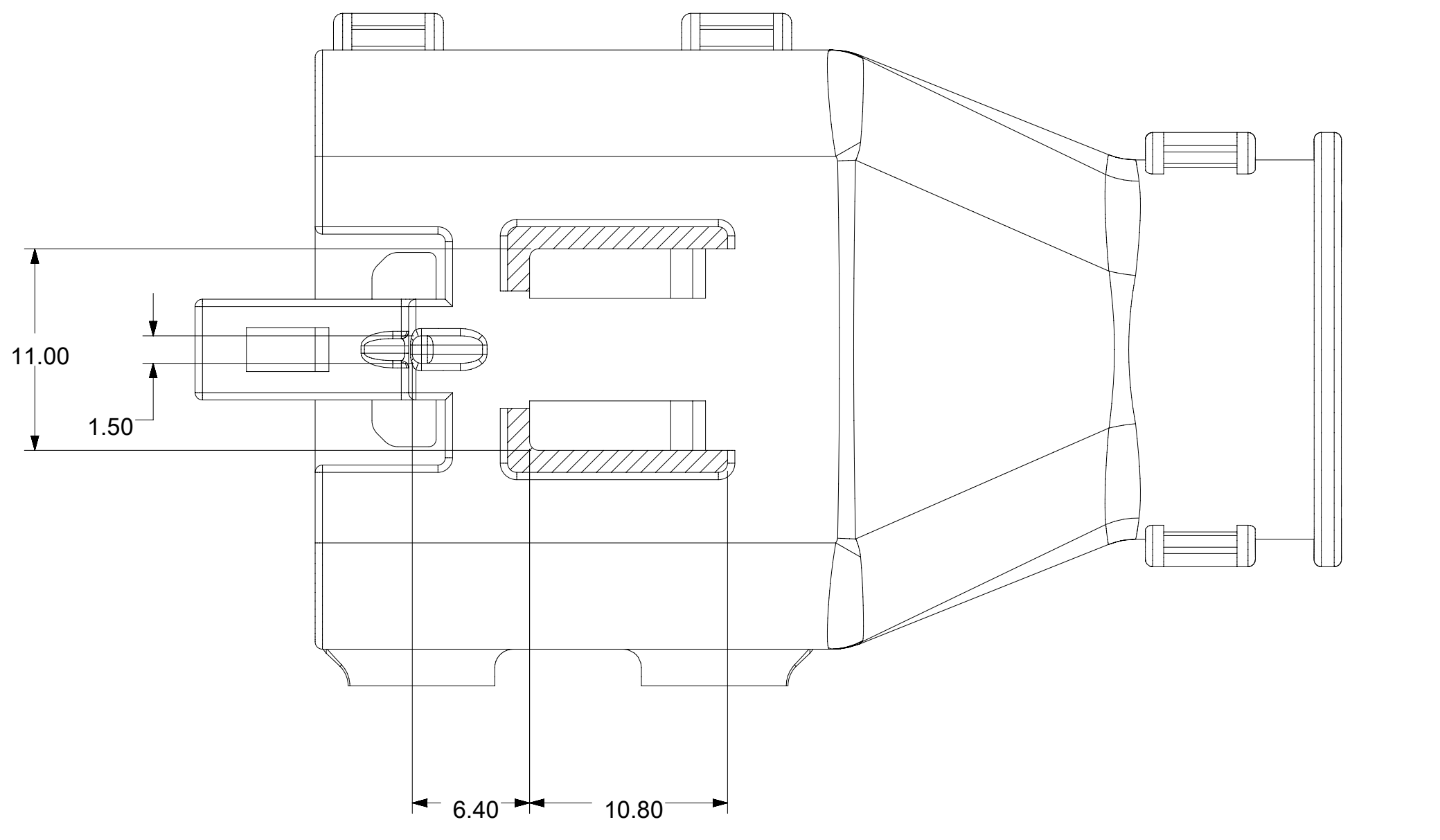
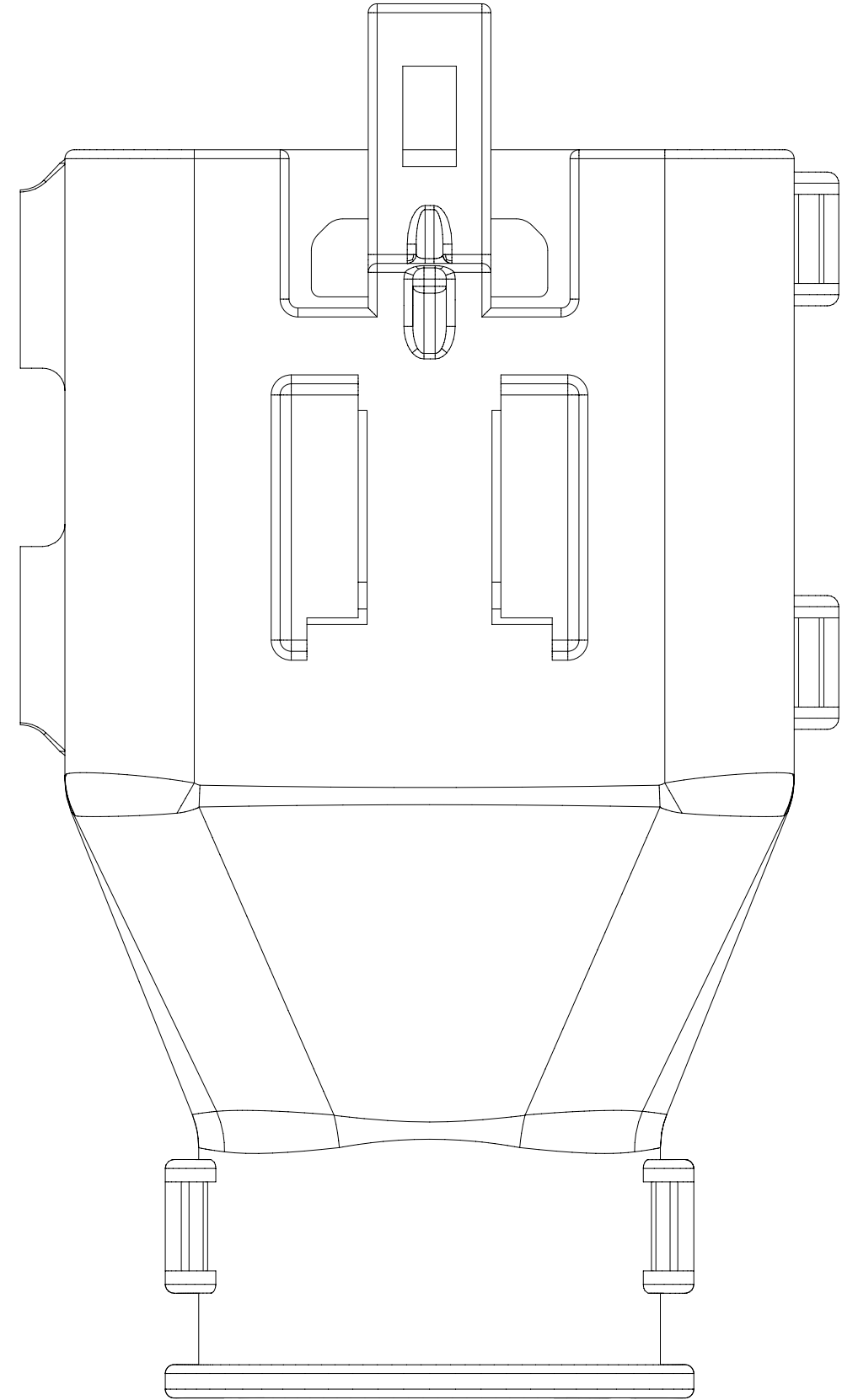
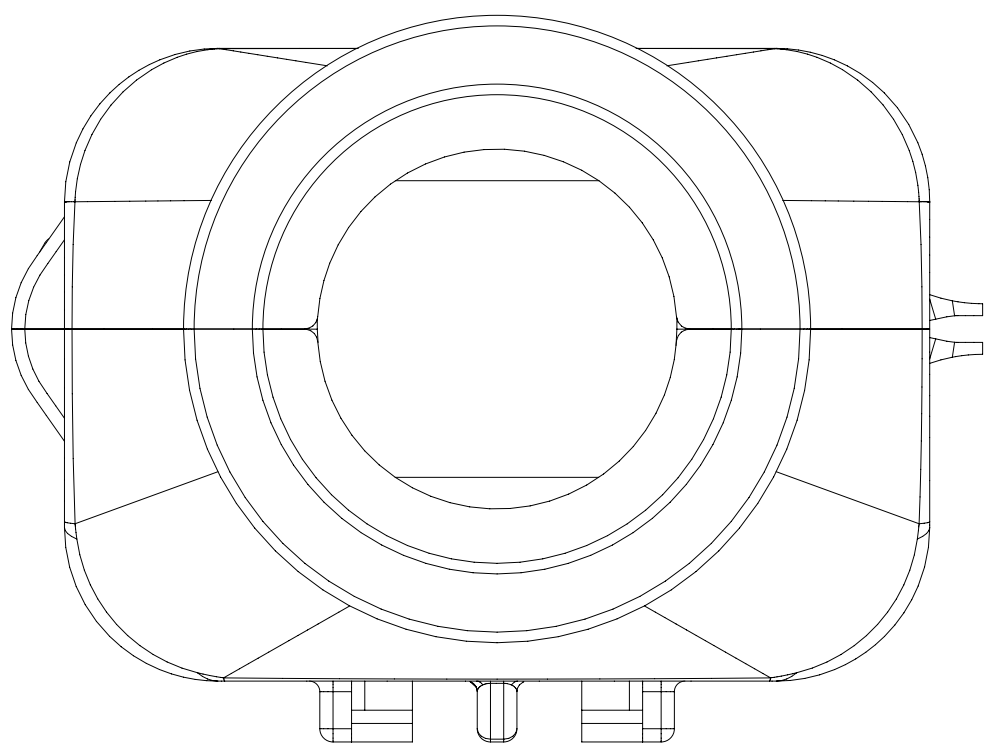
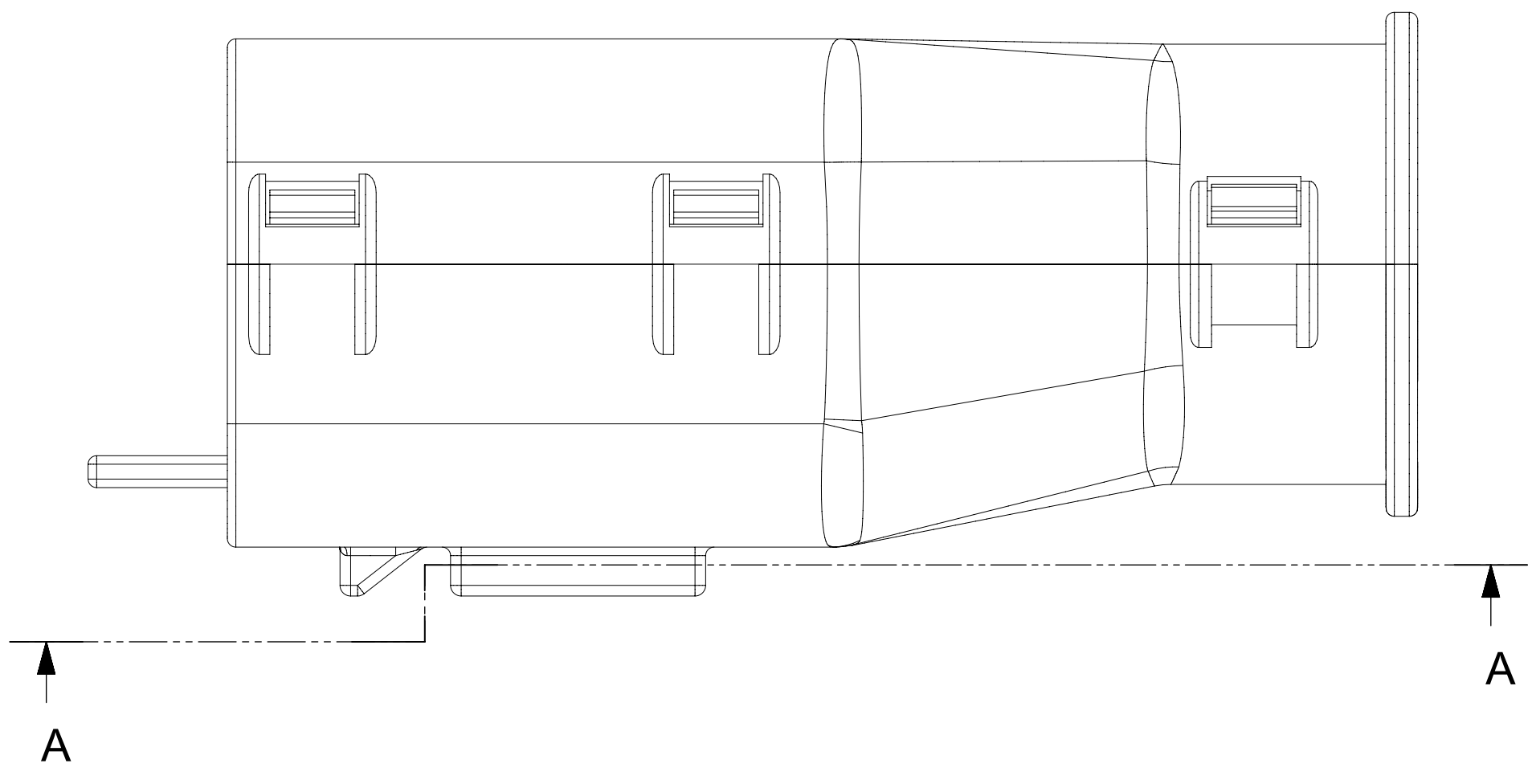
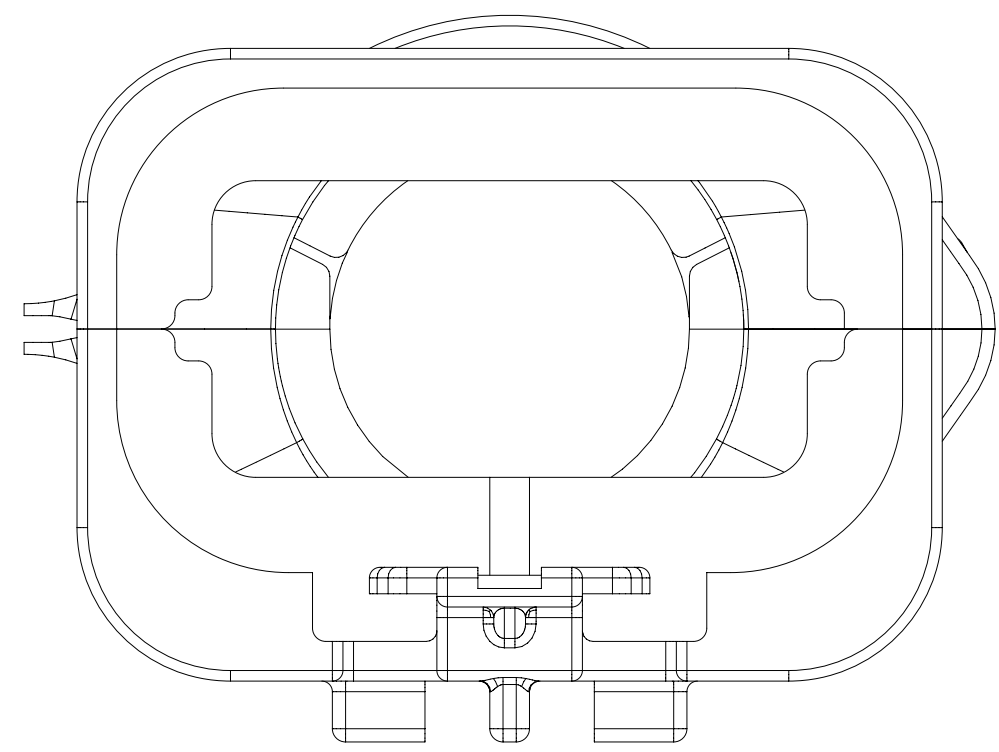
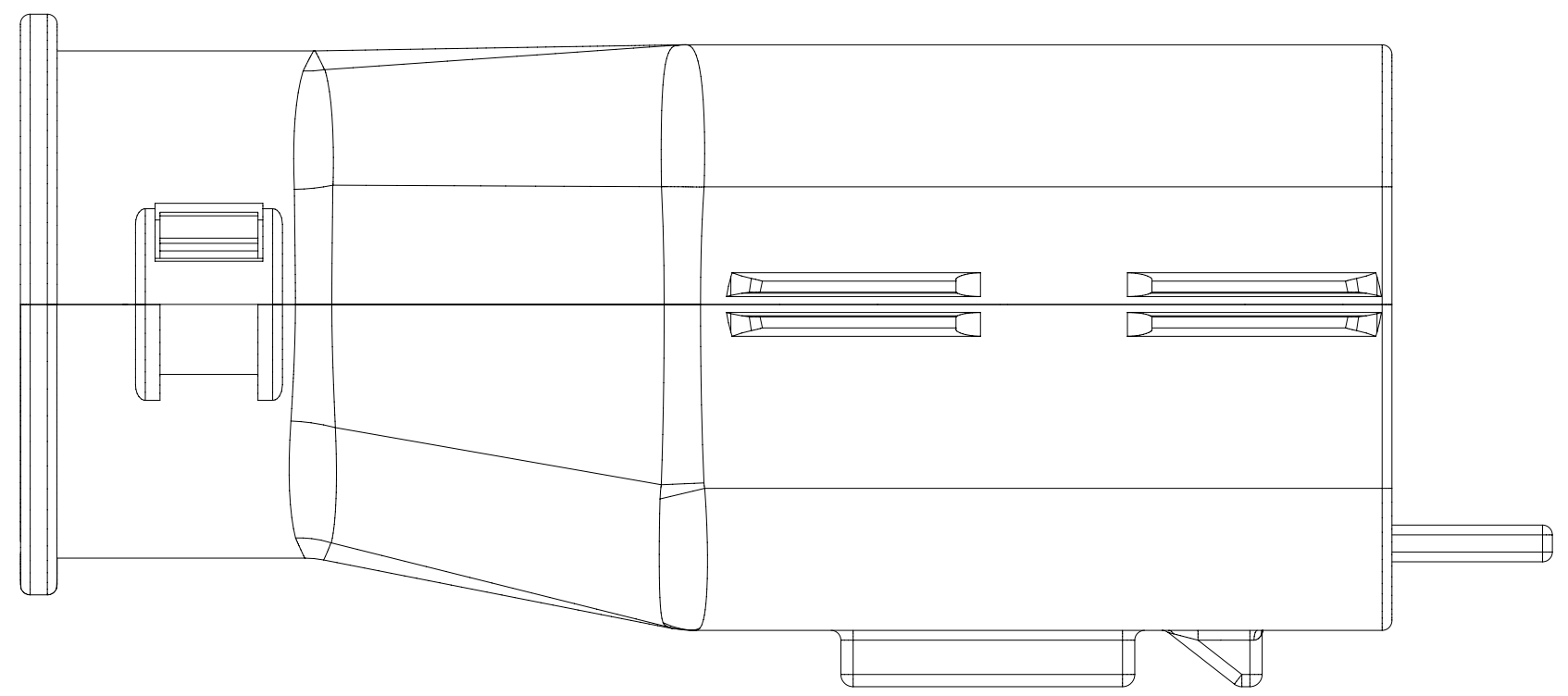
- 1 - WITH RIBS
- 2 - WITHOUT RIBS
- 3 - 90° ADAPTOR

MX150 CIRCUIT SIZE 04, 06, 08, 12, 16, 20



SYMBOLS	THIS DRAWING CONTAINS INFORMATION THAT IS PROPRIETARY TO MOLEX ELECTRONIC TECHNOLOGIES, LLC AND SHOULD NOT BE USED WITHOUT WRITTEN PERMISSION		CURRENT REV DESC:					
	DIMENSION UNITS	SCALE						EC NO: 171650
▽ = 0	mm	1.5:1	DRWN: APROFFITT 2014/04/28	CHK'D: MVANSLAMBROU 2018/02/16	SD-33482-0001	PSD	001	E2
▽ = 0	GENERAL TOLERANCES (UNLESS SPECIFIED)		APPR: MVANSLAMBROU 2018/02/16	INITIAL REVISION:				
▽ = 0	ANGULAR TOL ± 1.0°		DRWN: APROFFITT 2014/04/28	APPR: VKOSHY 2014/05/14	DOCUMENT NUMBER			REVISION
▽ = 0	4 PLACES	±	INITIAL REVISION:		MATERIAL NUMBER			CUSTOMER
▽ = 0	3 PLACES	±	DRWN: APROFFITT 2014/04/28		SD-33482-0001			GENERAL MARKET
▽ = 0	2 PLACES	± 0.1	APPR: VKOSHY 2014/05/14		SERIES			SHEET NUMBER
▽ = 0	1 PLACE	± 0.2	THIRD ANGLE PROJECTION		DRAWING			
▽ = 0	0 PLACES	±	DRAWING		A1-SIZE			
▽ = 0	DRAFT WHERE APPLICABLE MUST REMAIN WITHIN DIMENSIONS		SERIES		33482			
▽ = 0			THIRD ANGLE PROJECTION		GENERAL MARKET			7 OF 11

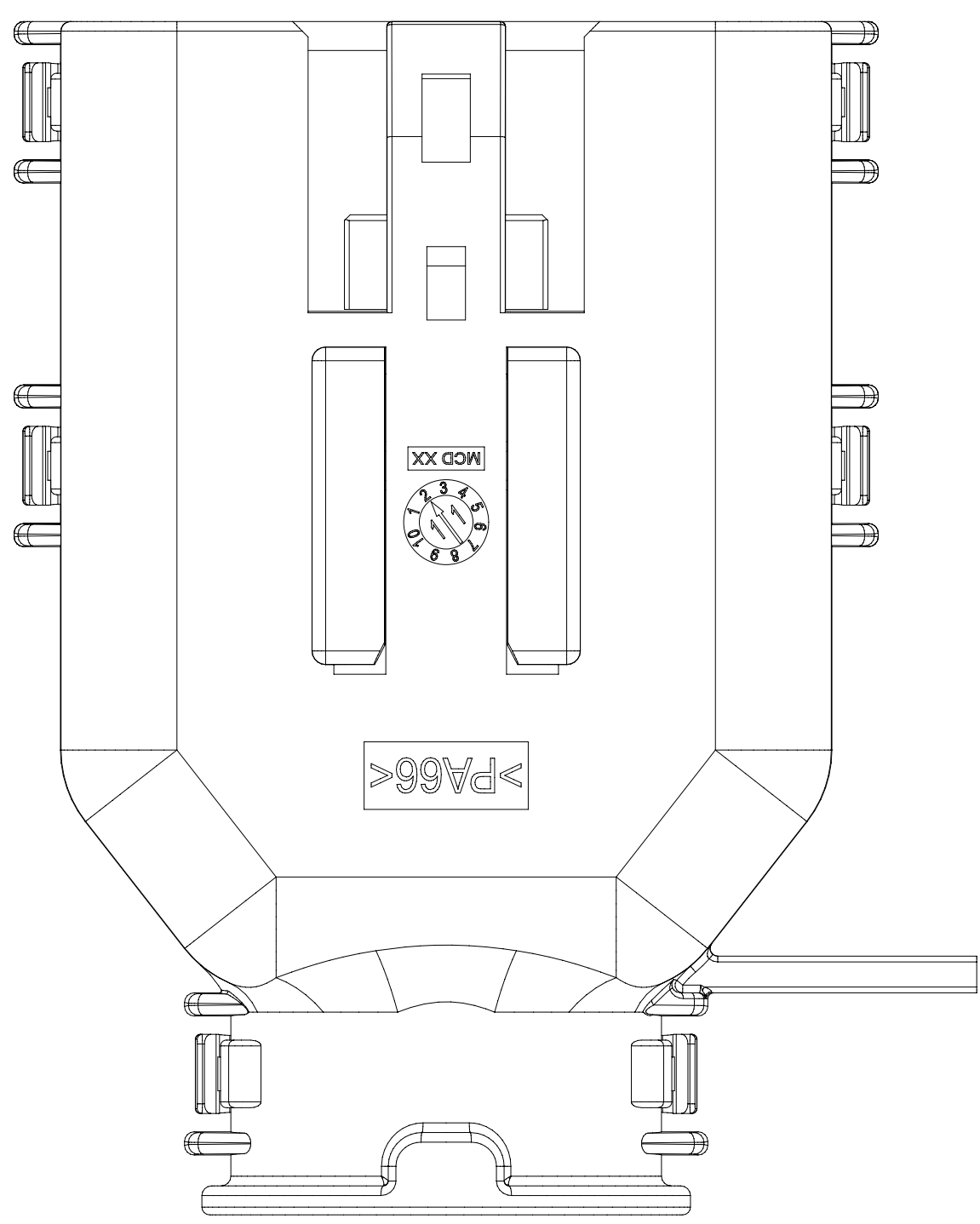
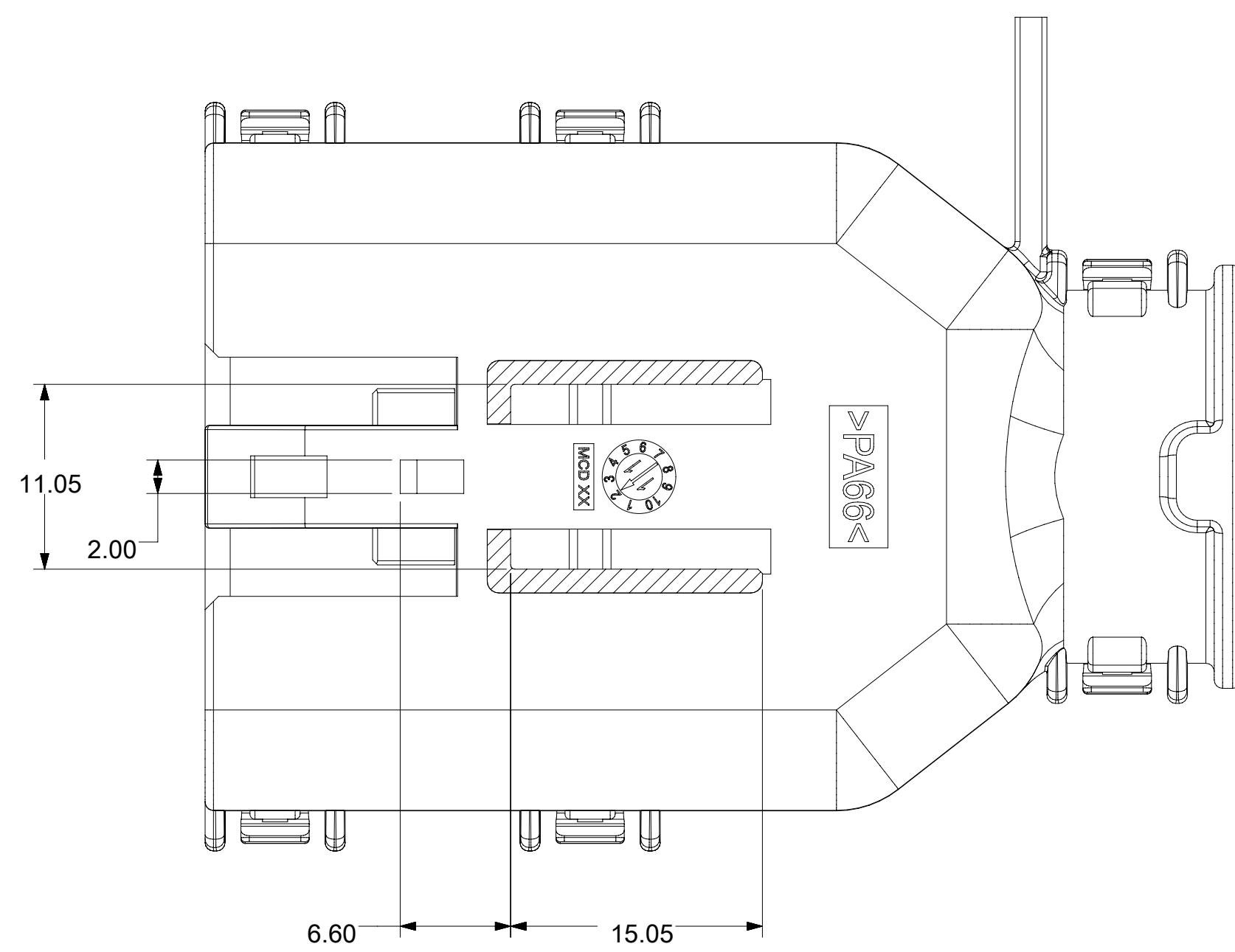
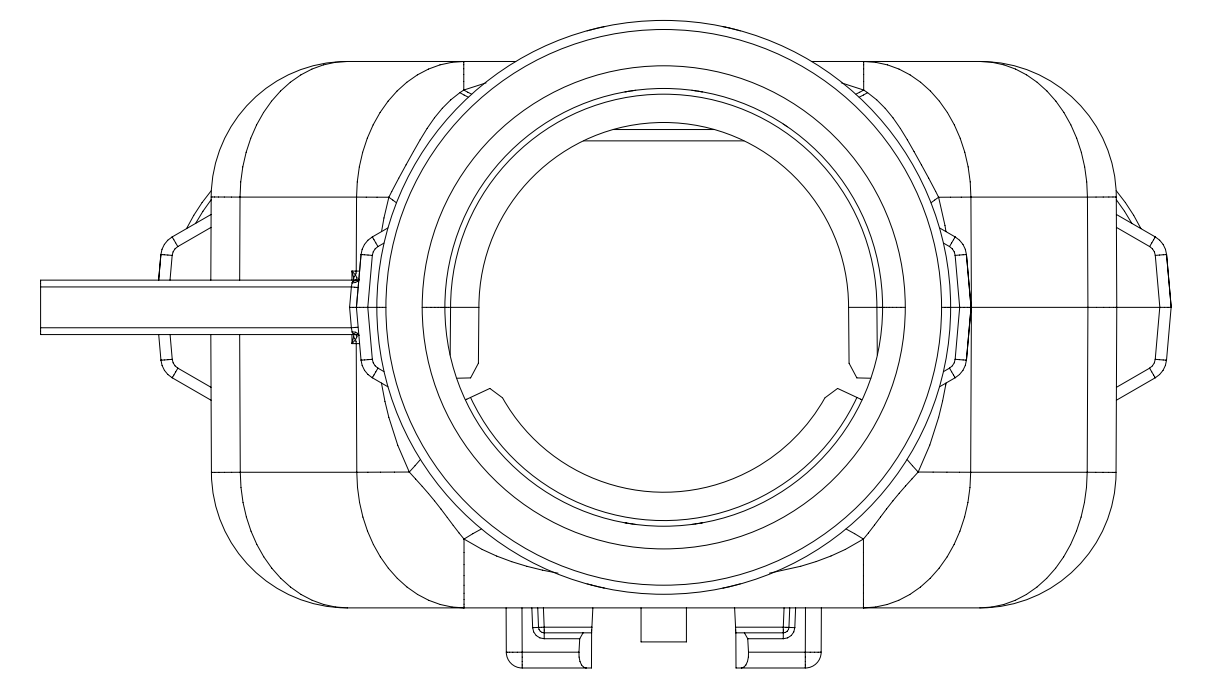
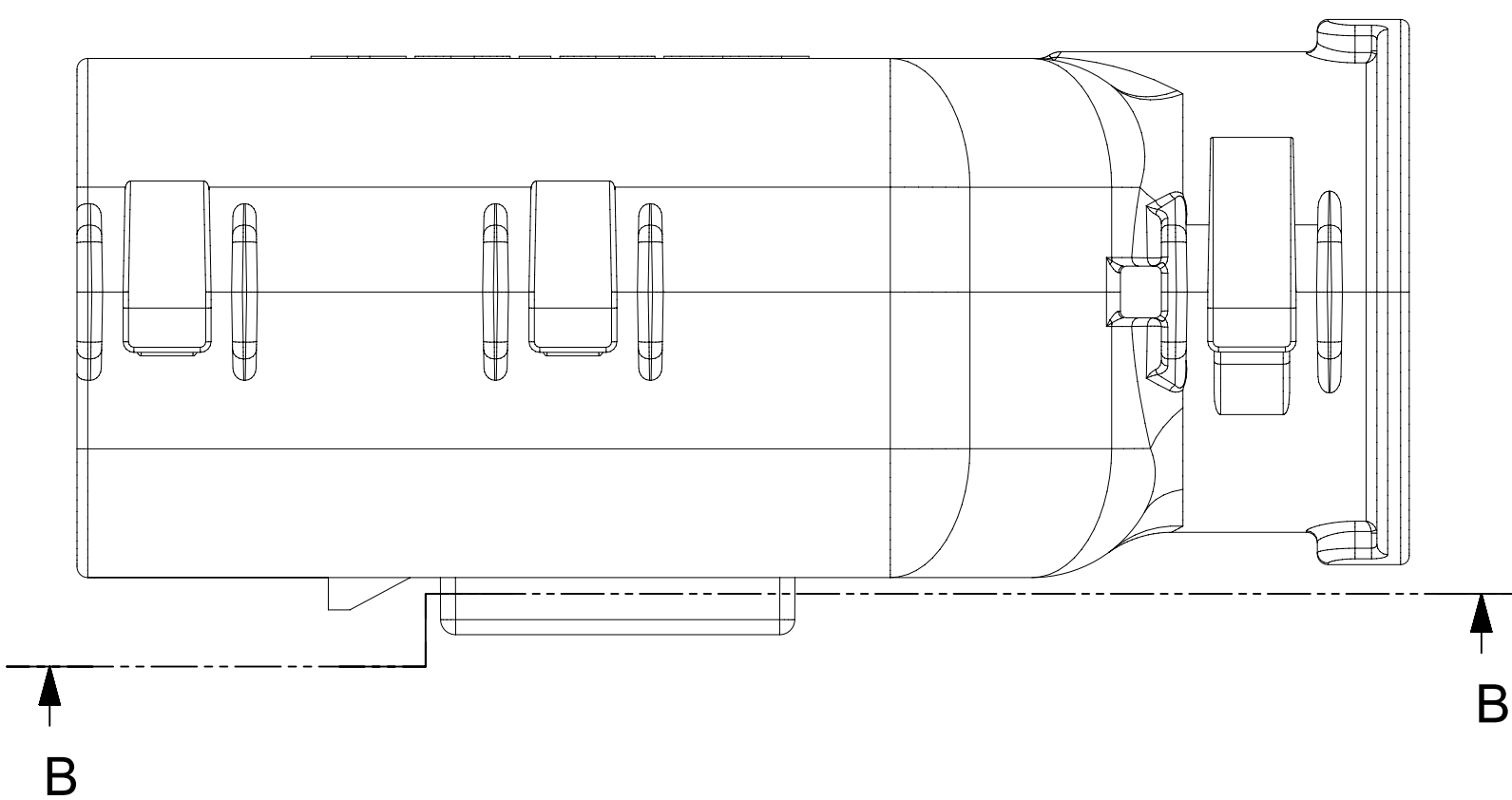
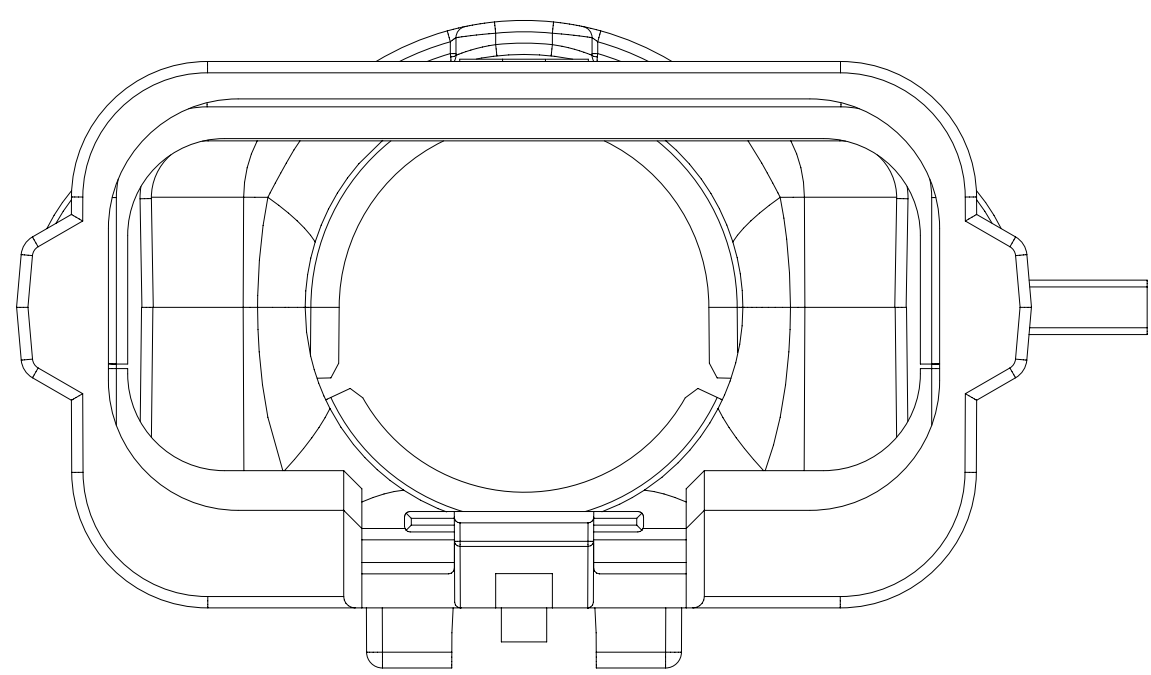
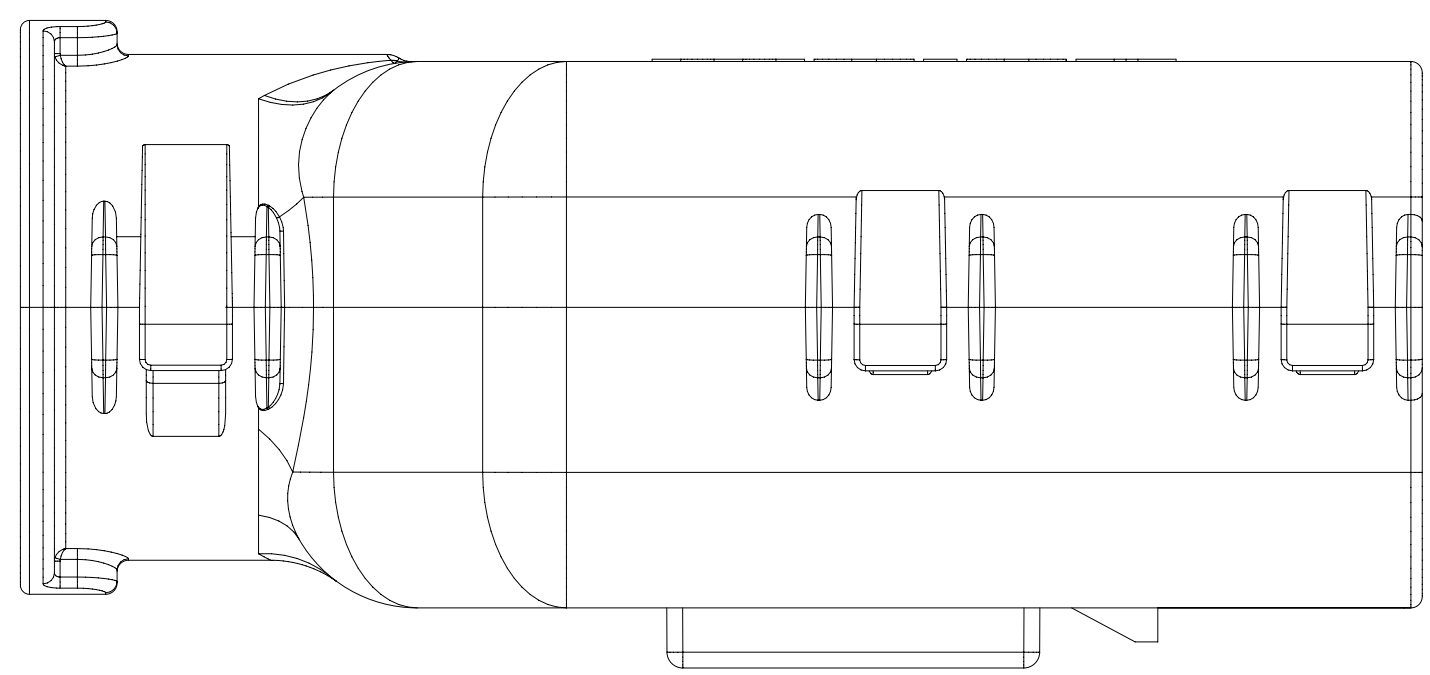
SHEET DESCRIPTION
SCHLEMMER BACKSHELL



SECTION A-A

SYMBOLS □ = 0 THIS DRAWING CONTAINS INFORMATION THAT IS PROPRIETARY TO MOLEX ELECTRONIC TECHNOLOGIES, LLC AND SHOULD NOT BE USED WITHOUT WRITTEN PERMISSION ▽ = 0 DIMENSION UNITS SCALE mm 3.5:1 ▽ = 0 GENERAL TOLERANCES (UNLESS SPECIFIED) ▽ = 0 ANGULAR TOL ± 1.0° ▽ = 0 4 PLACES ± ▽ = 0 3 PLACES ± ▽ = 0 2 PLACES ± 0.1 ▽ = 0 1 PLACE ± 0.2 ▽ = 0 0 PLACES ± ■ = 0 DRAFT WHERE APPLICABLE MUST REMAIN WITHIN DIMENSIONS ▽ = 0	CURRENT REV DESC: EC NO: 171650 DRWN: PMANJUNATHAC 2018/01/03 CHK'D: MVANSLAMBROU 2018/02/16 APPR: MVANSLAMBROU 2018/02/16 INITIAL REVISION: DRWN: APROFFITT 2014/04/28 APPR: VKOSHY 2014/05/14					
	MX150 BLADE DUAL ROW SEALED ASSEMBLY MAT SEAL		PRODUCT CUSTOMER DRAWING			
			DOCUMENT NUMBER SD-33482-0001	DOC TYPE PSD	DOC PART 001	REVISION E2
	THIRD ANGLE PROJECTION 	DRAWING A1-SIZE	SERIES 33482	MATERIAL NUMBER 	CUSTOMER GENERAL MARKET	SHEET NUMBER 8 OF 11

SHEET DESCRIPTION
MOLEX BACKSHELL

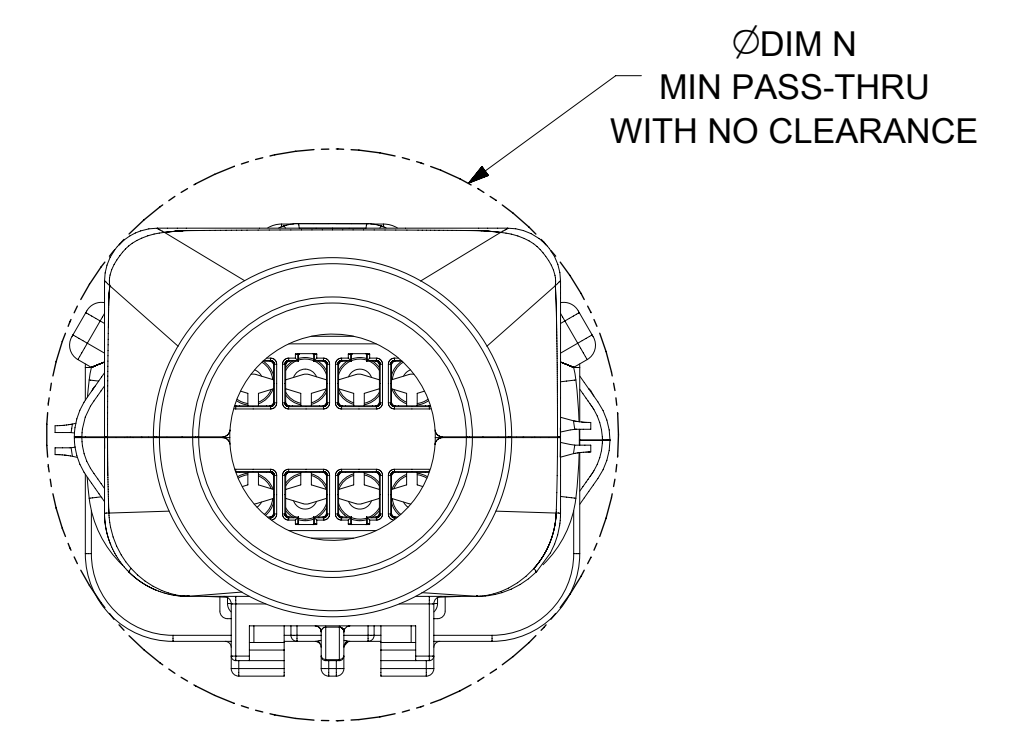
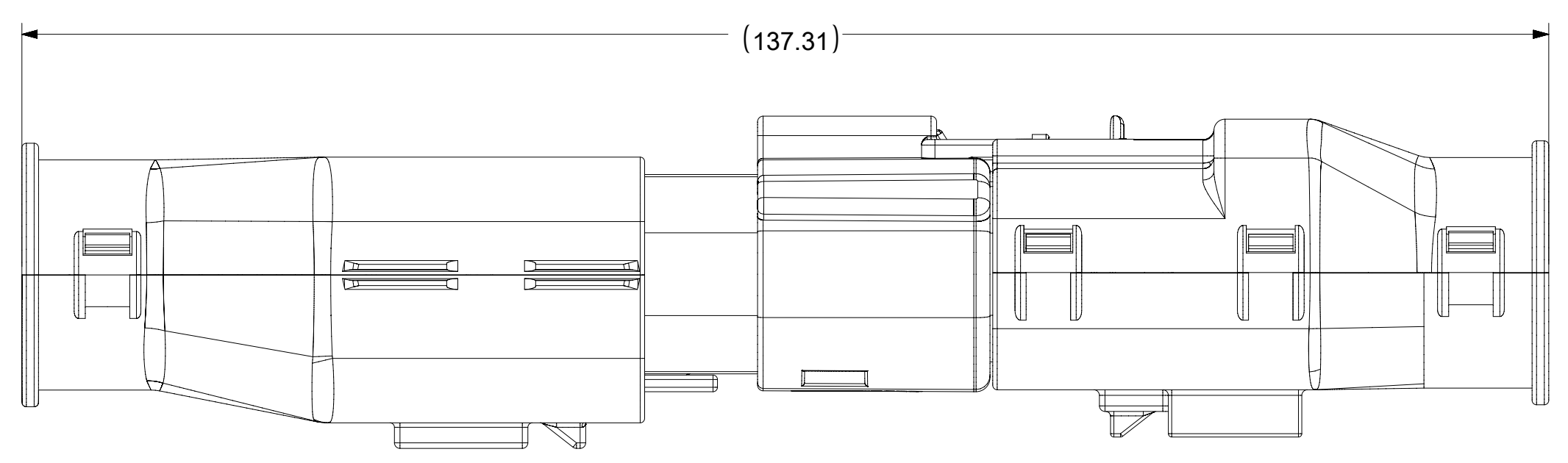


SECTION B-B

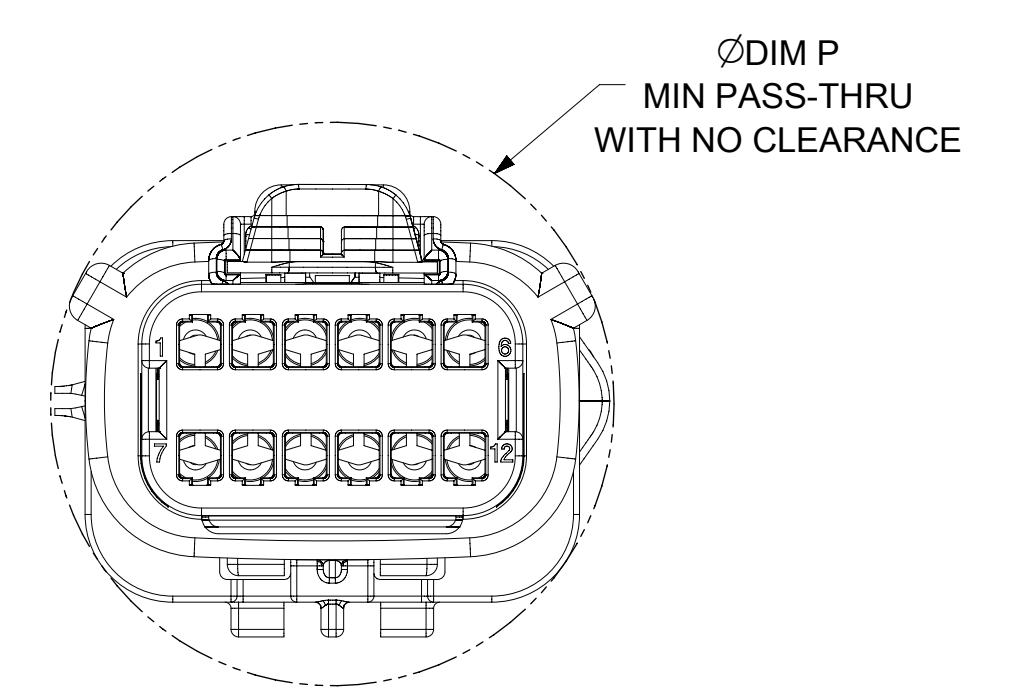
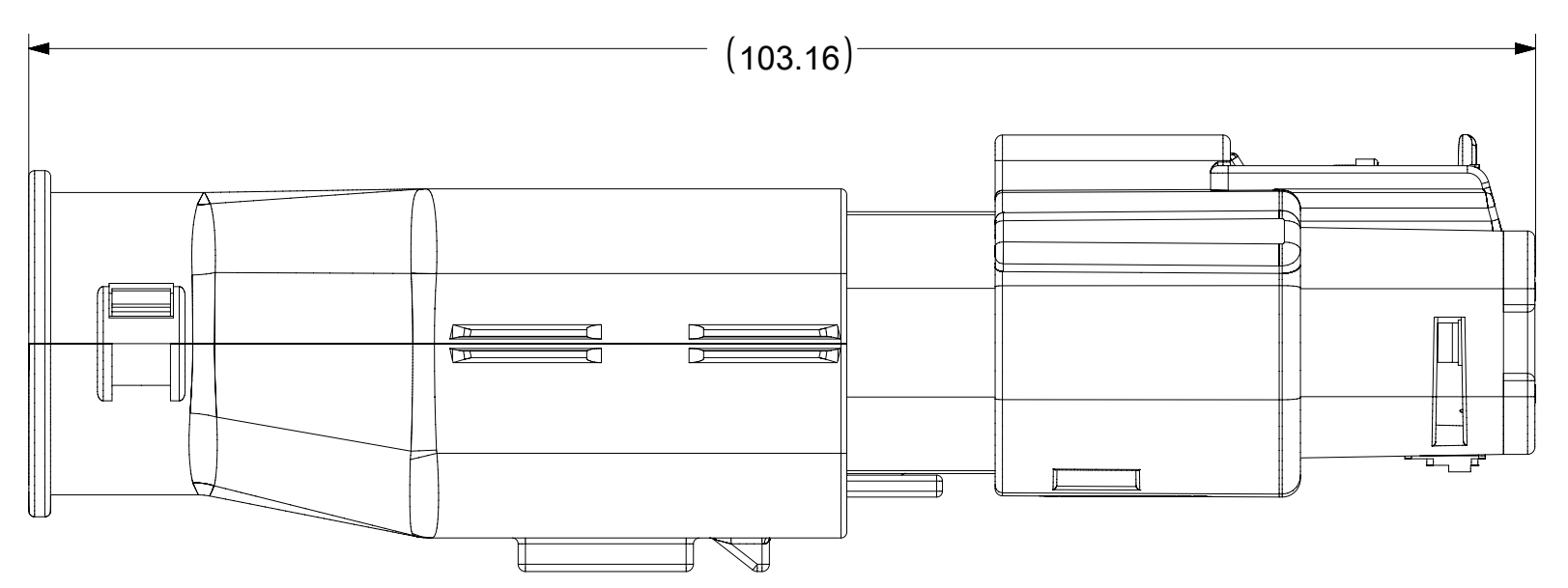
SYMBOLS				THIS DRAWING CONTAINS INFORMATION THAT IS PROPRIETARY TO MOLEX ELECTRONIC TECHNOLOGIES, LLC AND SHOULD NOT BE USED WITHOUT WRITTEN PERMISSION				molex			
= 0		mm		SCALE		3:1		CURRENT REV DESC:			
= 0		GENERAL TOLERANCES (UNLESS SPECIFIED)		= 0		ANGULAR TOL ± 1.0°		EC NO: 171650			
= 0		4 PLACES ±		= 0		3 PLACES ±		DRWN: PMANJUNATHAC 2018/01/03			
= 0		2 PLACES ± 0.1		= 0		1 PLACE ± 0.2		CHK'D: MVANSLAMBROU 2018/02/16			
= 0		0 PLACES ±		= 0		DRAFT WHERE APPLICABLE MUST REMAIN WITHIN DIMENSIONS		APPR: MVANSLAMBROU 2018/02/16			
= 0		THIRD ANGLE PROJECTION		DRAWING		SERIES		INITIAL REVISION:			
= 0		A1-SIZE		33482		MATERIAL NUMBER		SD-33482-0001			
= 0		CUSTOMER		GENERAL MARKET		SHEET NUMBER		9 OF 11			

SHEET DESCRIPTION
SCHLEMMER BACKSHELL CONFIGURATIONS

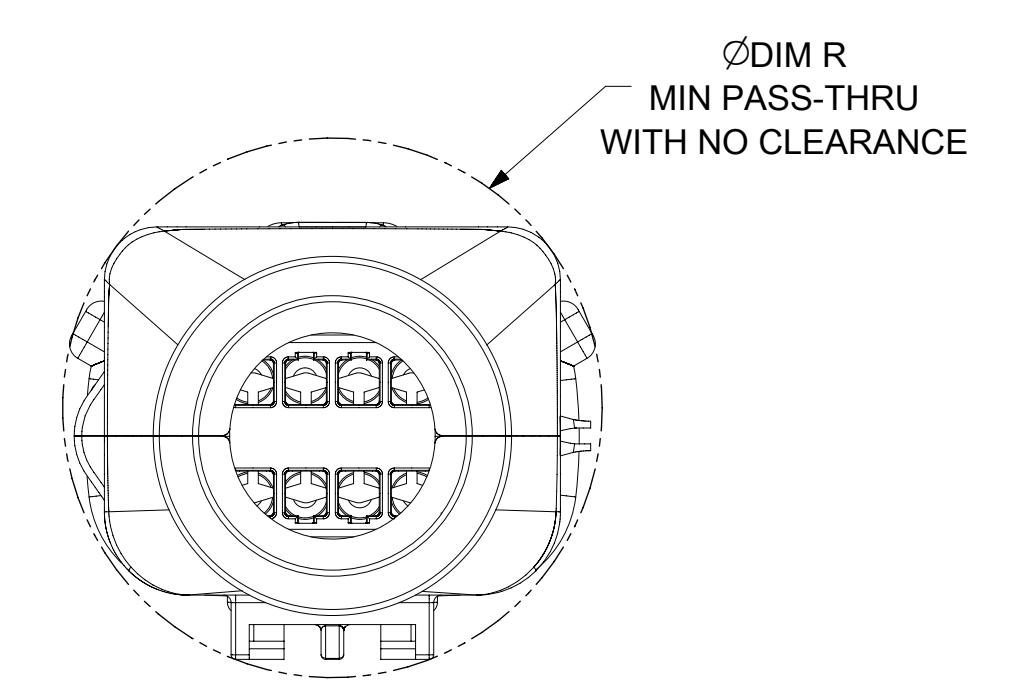
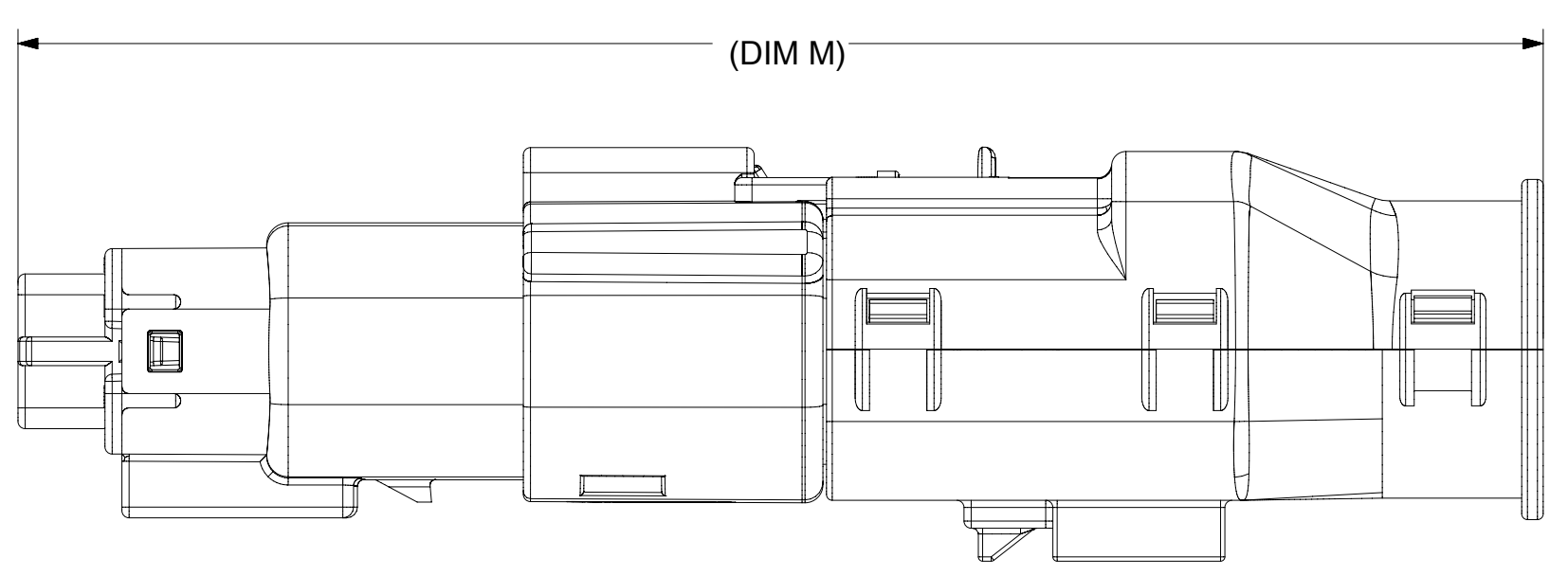
CKT	BLADE CONFIGURATION	RECEPTACLE CONFIGURATION	DIMENSIONS				
			M	N	P	R	T
2X3	STANDARD	STANDARD	106.83	32.75	31.75	29.00	29.50
	LENGTHENED		108.71				
2X4	STANDARD	STANDARD	106.83	33.50	31.90	30.70	30.70
2X6	STANDARD	STANDARD	106.83	37.84	37.27	35.83	36.83



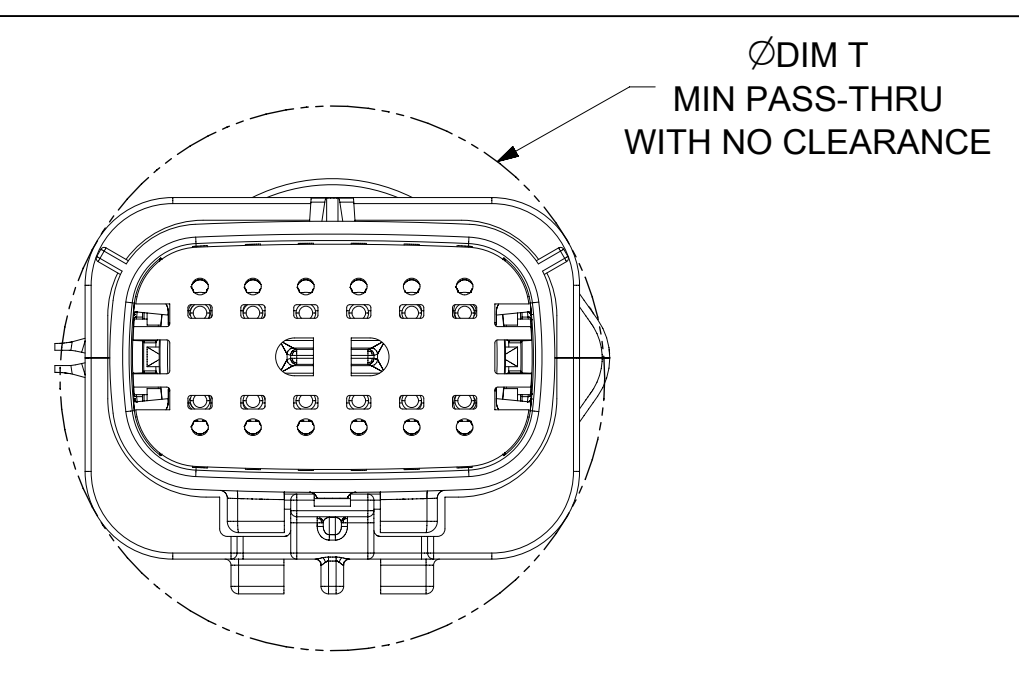
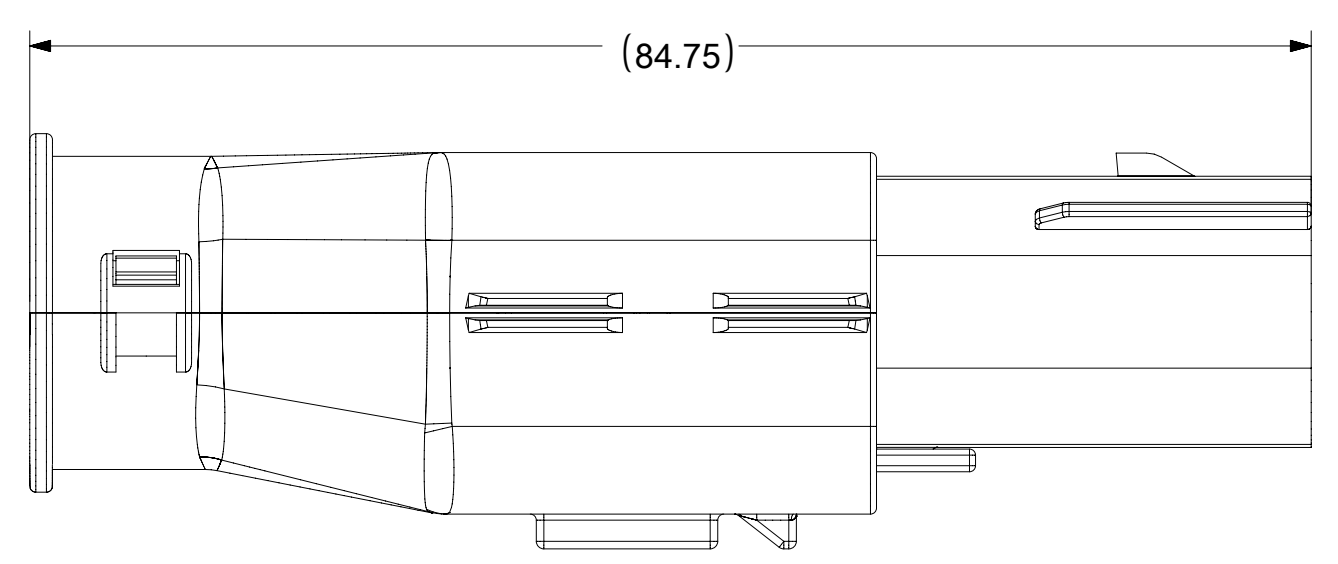
OVERALL MATED SYSTEM WITH BLADE AND RECEPTACLE BACKSHELL



OVERALL MATED SYSTEM WITH BLADE BACKSHELL



OVERALL MATED SYSTEM WITH RECEPTACLE BACKSHELL



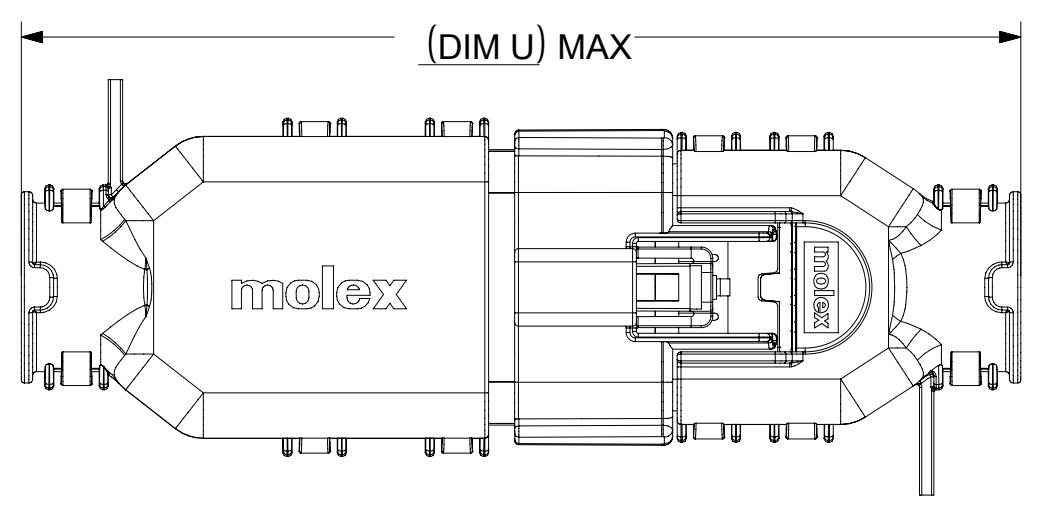
BLADE SEALED ASSEMBLY WITH BLADE BACKSHELL

SYMBOLS THIS DRAWING CONTAINS INFORMATION THAT IS PROPRIETARY TO MOLEX ELECTRONIC TECHNOLOGIES, LLC AND SHOULD NOT BE USED WITHOUT WRITTEN PERMISSION DIMENSION UNITS: mm SCALE: 2:1 GENERAL TOLERANCES (UNLESS SPECIFIED): ANGULAR TOL: ± 1.0° 4 PLACES: ± 3 PLACES: ± 2 PLACES: ± 0.1 1 PLACE: ± 0.2 0 PLACES: ± DRAFT WHERE APPLICABLE MUST REMAIN WITHIN DIMENSIONS	CURRENT REV DESC:		 MX150 BLADE DUAL ROW SEALED ASSEMBLY MAT SEAL
	EC NO: 171650 DRWN: PMANJUNATHAC 2018/01/03 CHK'D: MVANSLAMBROU 2018/02/16 APPR: MVANSLAMBROU 2018/02/16		
	INITIAL REVISION: DRWN: APROFFITT 2014/04/28 APPR: VKOSHY 2014/05/14		DOCUMENT NUMBER: SD-33482-0001 DOC TYPE: PSD DOC PART: 001 REVISION: E2
	THIRD ANGLE PROJECTION	DRAWING: A1-SIZE	SERIES: 33482

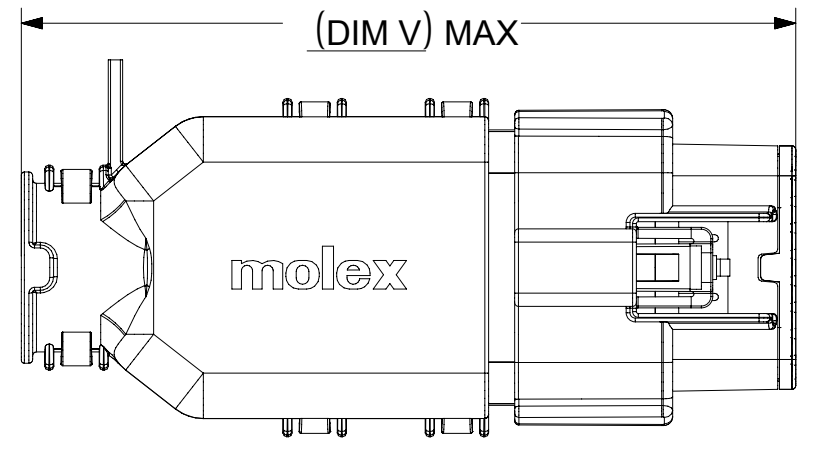
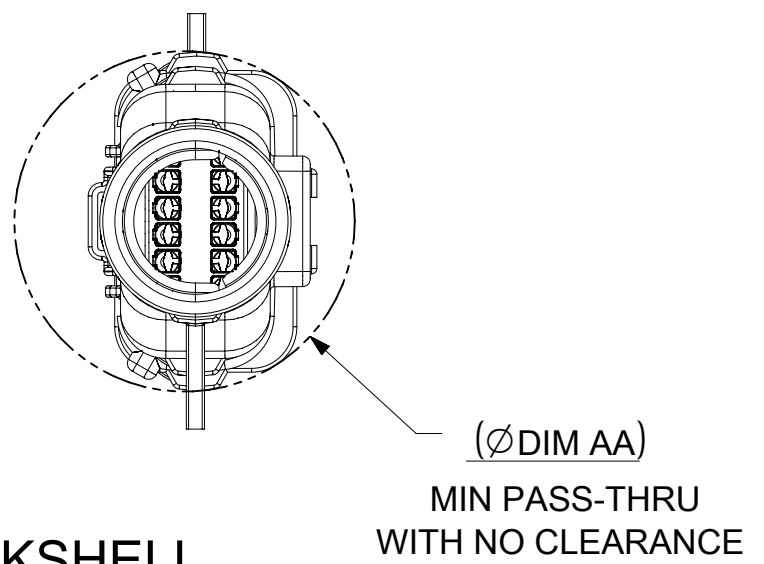
SHEET DESCRIPTION
MOLEX BACKSHELL CONFIGURATIONS

CHARTED DIMENSIONS

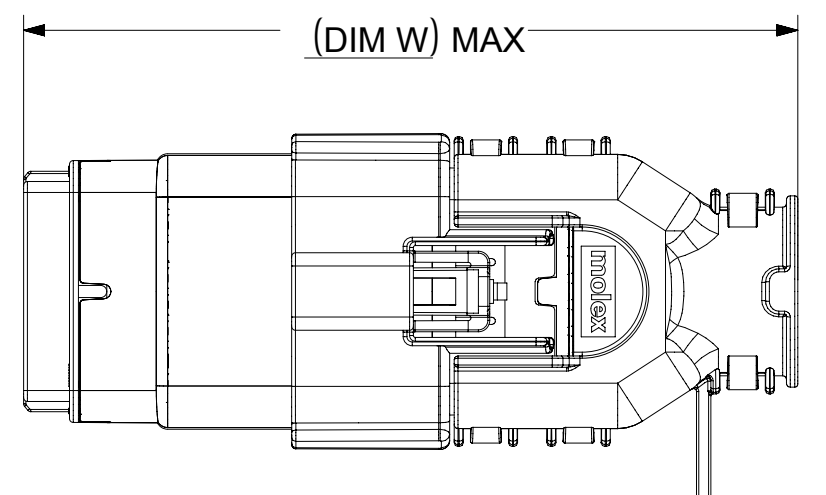
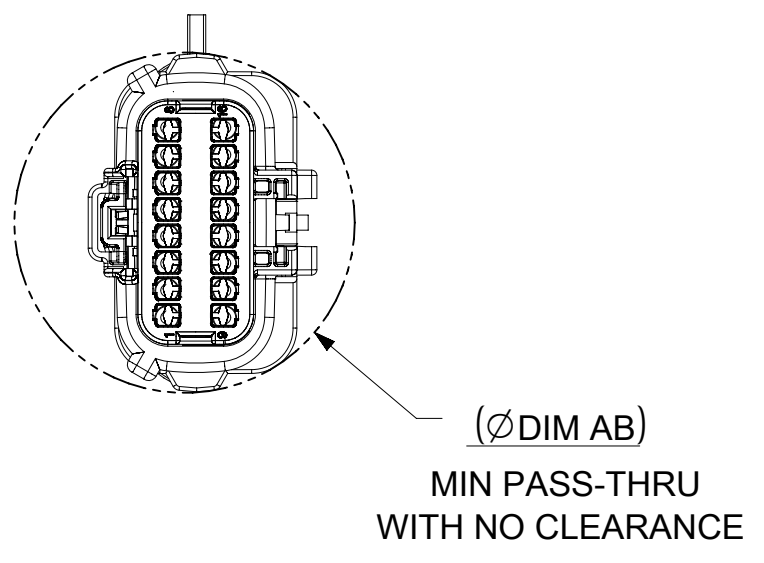
CKT	BLADE CONFIGURATION	RECEPTACLE CONFIGURATION	DIMENSIONS									
			U	V	W	X	Y	AA	AB	AC	AD	AE
2X4	STANDARD	STANDARD	115.24	94.36	93.93	75.62	32.10	32.93	32.54	32.85	31.76	56.81
2X8	STANDARD	STANDARD	132.49	102.81	102.73	84.07	36.10	45.44	45.44	42.65	45.44	68.18
2X10	STANDARD	STANDARD	132.49	102.81	102.73	84.07	36.10	45.44	45.44	42.65	45.44	68.18



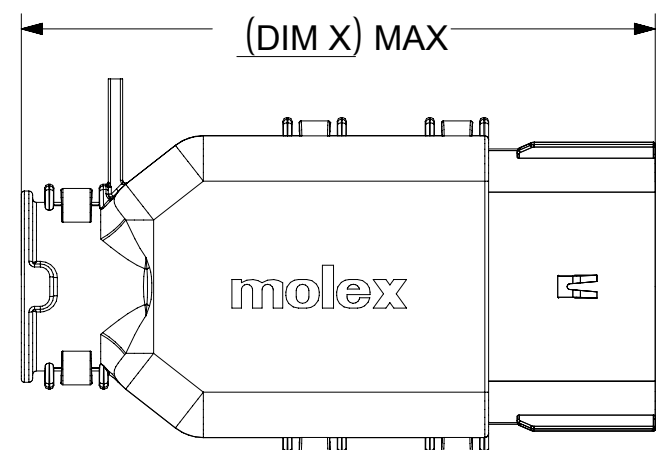
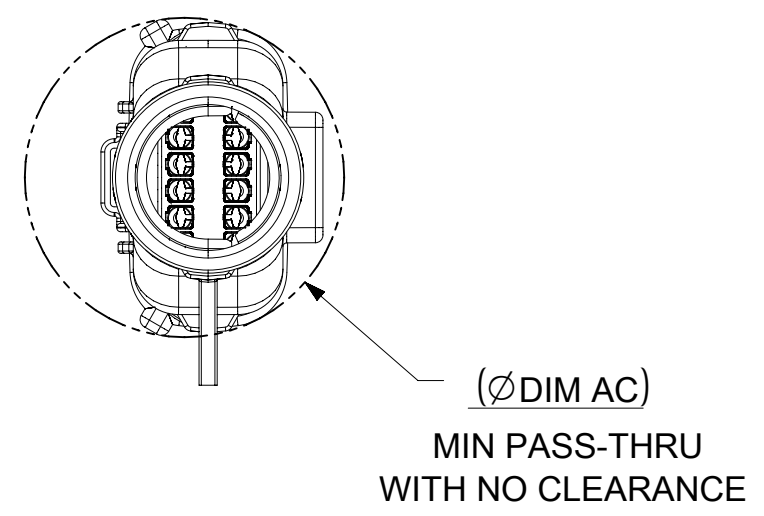
OVERALL MATED SYSTEM WITH BLADE AND RECEPTACLE BACKSHELL



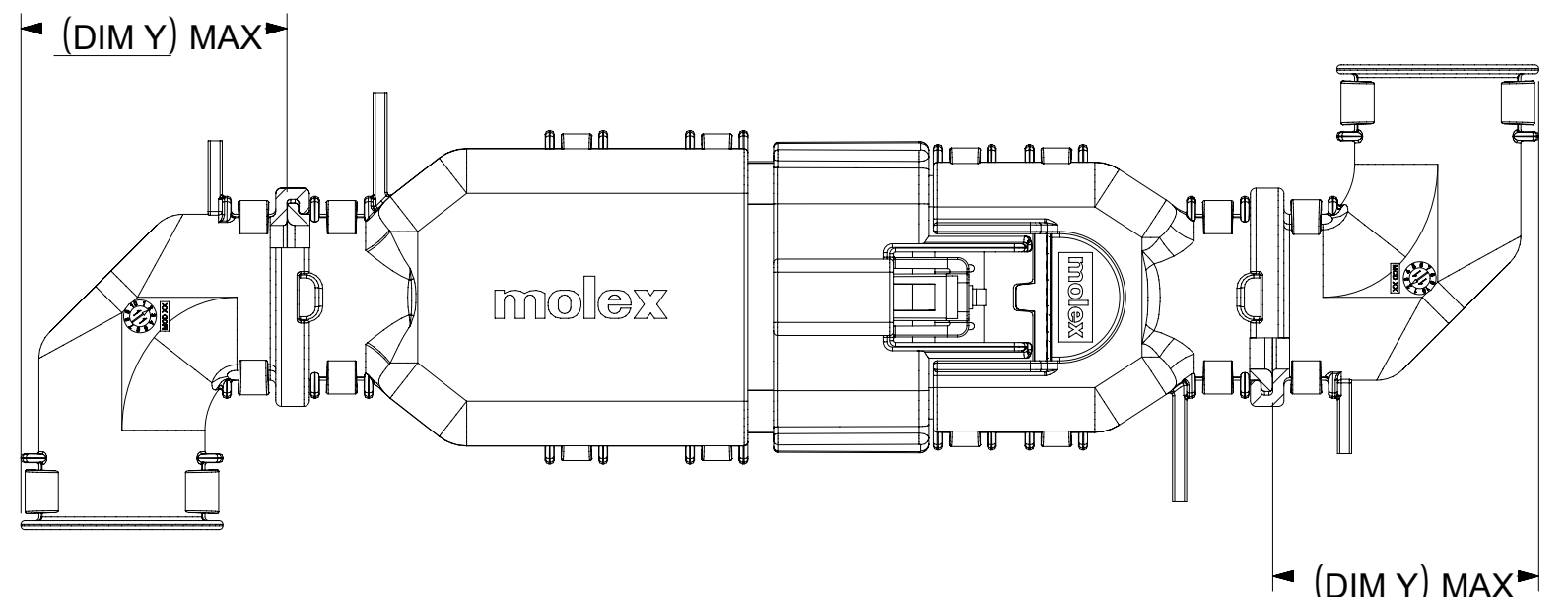
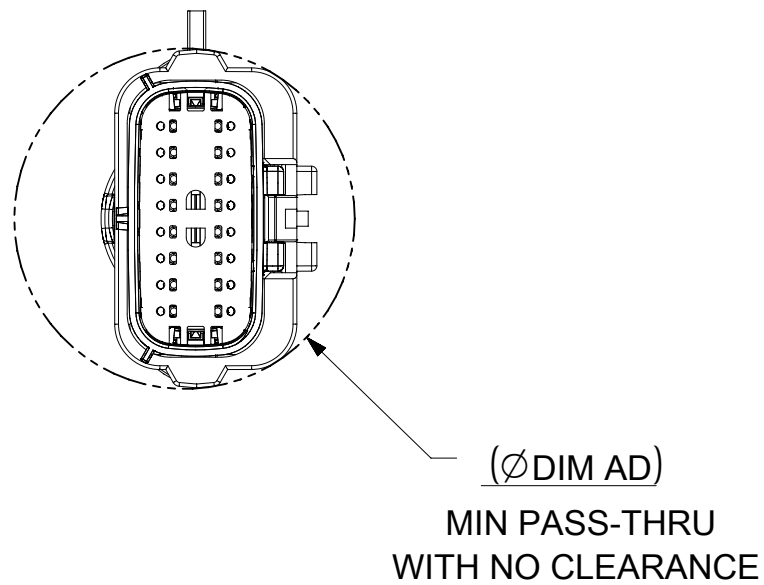
OVERALL MATED SYSTEM WITH BLADE BACKSHELL



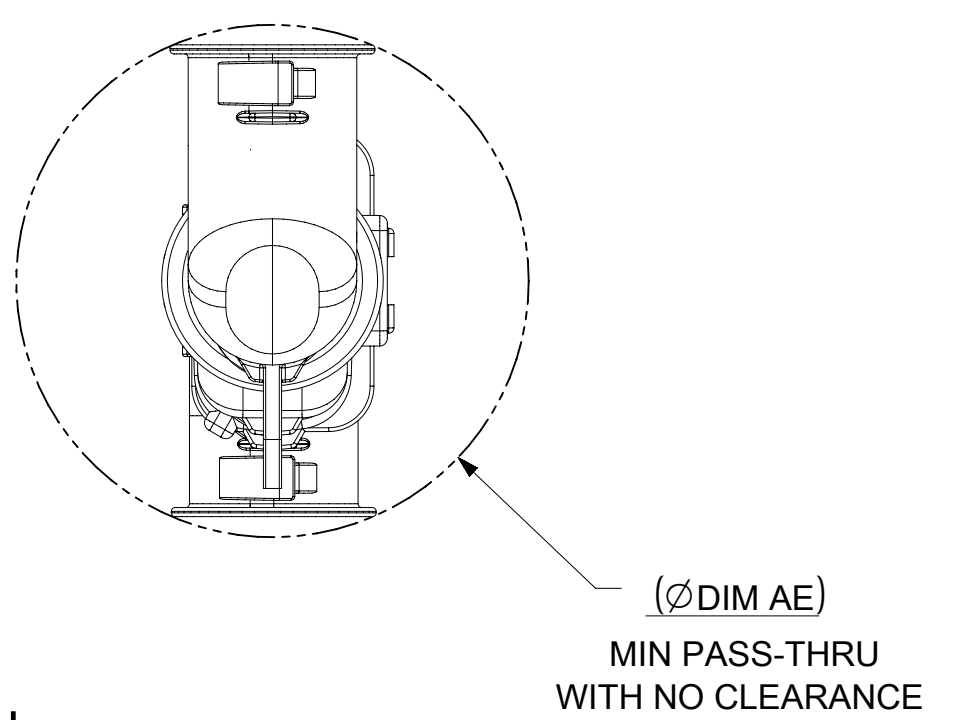
OVERALL MATED SYSTEM WITH RECEPTACLE BACKSHELL



BLADE SEALED ASSEMBLY WITH BLADE BACKSHELL

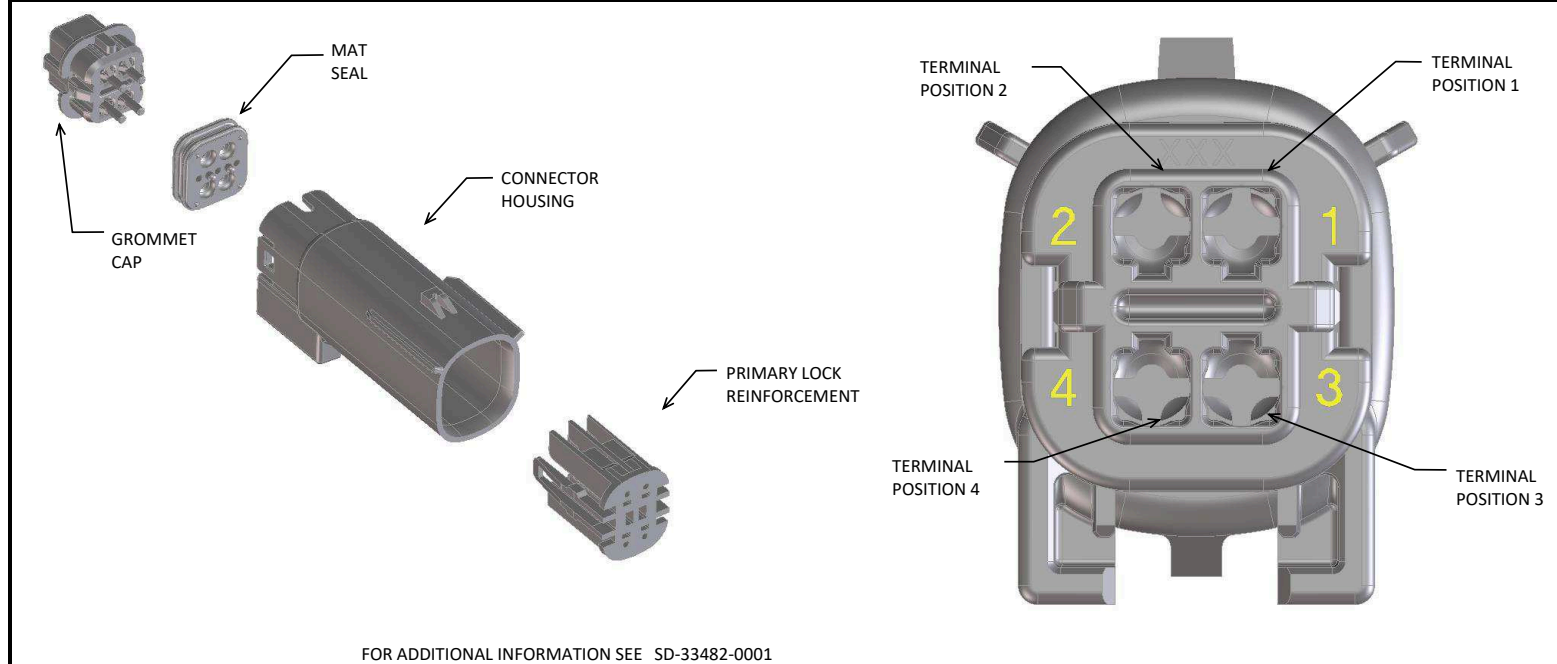


ADD THE VALUE OF 'Y' TO THE TOTAL DIMENSION WHENEVER ADAPTOR IS USED



SYMBOLS = 0 mm = 0 1:1 = 0 GENERAL TOLERANCES (UNLESS SPECIFIED) = 0 ANGULAR TOL ± 1.0° = 0 4 PLACES ± = 0 3 PLACES ± = 0 2 PLACES ± 0.1 = 0 1 PLACE ± 0.2 = 0 0 PLACES ± = 0 DRAFT WHERE APPLICABLE MUST REMAIN WITHIN DIMENSIONS = 0 THIRD ANGLE PROJECTION	THIS DRAWING CONTAINS INFORMATION THAT IS PROPRIETARY TO MOLEX ELECTRONIC TECHNOLOGIES, LLC AND SHOULD NOT BE USED WITHOUT WRITTEN PERMISSION DIMENSION UNITS SCALE CURRENT REV DESC:	 MX150 BLADE DUAL ROW SEALED ASSEMBLY MAT SEAL PRODUCT CUSTOMER DRAWING
	EC NO: 171650 DRWN: PMANJUNATHAC 2018/01/03 CHK'D: MVANSLAMBROU 2018/02/16 APPR: MVANSLAMBROU 2018/02/16 INITIAL REVISION: DRWN: APROFFITT 2014/04/28 APPR: VKOSHY 2014/05/14	
MATERIAL NUMBER CUSTOMER SHEET NUMBER	THIRD ANGLE PROJECTION DRAWING SERIES A1-SIZE 33482	GENERAL MARKET 11 OF 11

MX150 2X2 BLADE SEALED ASSEMBLY MAT SEAL
BOM AND PIN OUT SHEET

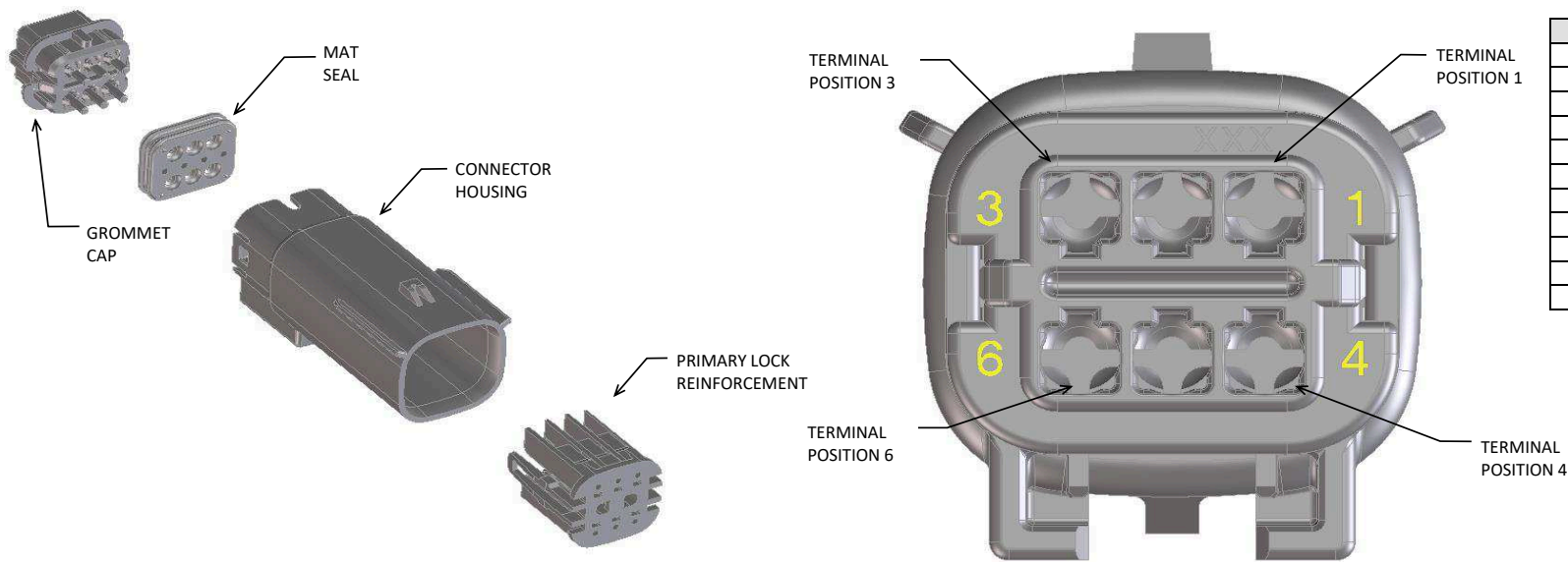


ABBREVIATION	DESCRIPTION	COLOR	MATERIAL
A-BLK	HOUSING, KEYING OPTION A	BLACK	SPS/NYLON GF20
B-LG	HOUSING, KEYING OPTION B	LIGHT GRAY	SPS/NYLON GF20
C-BR	HOUSING, KEYING OPTION C	BROWN	SPS/NYLON GF20
D-GR	HOUSING, KEYING OPTION D	GREEN	SPS/NYLON GF20
C-DG	HOUSING, KEYING OPTION C	DARK GRAY	SPS/NYLON GF20
D-SG	HOUSING, KEYING OPTION D	STONE GRAY	SPS/NYLON GF20
A-YW	HOUSING, KEYING OPTION A	YELLOW	SPS/NYLON GF20
GCP	GROMMET CAP (PLUGGED)	BLACK	SPS/NYLON GF20
GCO	GROMMET CAP (OPEN)	BLACK	SPS/NYLON GF20
PLR	PLR	NATURAL	SPS/NYLON GF20
M	MAT SEAL	ROYAL BLUE	INHERENTLY LUBRICATED SILICONE

FOR ADDITIONAL INFORMATION SEE SD-33482-0001

ASSEMBLY DESCRIPTION	ASSEMBLY PART NUMBER	COMPONENT				BLOCKED TERMINALS												STATUS	COMMENTS	OPTIONAL ATTACHMENTS SOLD SEPERATELY		
		THE PRESENCE OF AN ABBREVIATION INDICATES THE PRESENCE OF THAT COMPONENT.				CAVITY WITH A NUMBER INDICATES BLOCKED TERMINAL POSITION CAVITY WITHOUT A NUMBER INDICATES OPEN TERMINAL POSITION														BACKSHELL WITH RIBS	BACKSHELL WITHOUT RIBS	
		HOUSING KEY/COLOR	GROMMET CAP	PLR	MAT SEAL	1	2	3	4													
KEY A, BLACK	33482-4001	A-BLK	GCO	PLR	M															SALEABLE		
KEY B, LIGHT GRAY	33482-4002	B-LG	GCO	PLR	M															SALEABLE		
KEY C, BROWN	33482-4003	C-BR	GCO	PLR	M															NOT RECOMMENDED	SEE 33482-4103	
KEY D, GREEN	33482-4004	D-GR	GCO	PLR	M															NOT RECOMMENDED	SEE 33482-4104	
KEY A, BLACK	33482-4006	A-BLK	GCP	PLR	M		2													SALEABLE		
KEY B, LIGHT GRAY	33482-4007	B-LG	GCP	PLR	M		2													SALEABLE		
KEY C, BROWN	33482-4008	C-BR	GCP	PLR	M		2													NOT RECOMMENDED	SEE 33482-4105	
KEY D, GREEN	33482-4009	D-GR	GCP	PLR	M		2													NOT RECOMMENDED	SEE 33482-4106	
KEY A, BLACK	33482-4011	A-BLK	GCP	PLR	M		2	3												SALEABLE		
KEY B, LIGHT GRAY	33482-4012	B-LG	GCP	PLR	M		2	3												SALEABLE		
KEY C, BROWN	33482-4013	C-BR	GCP	PLR	M		2	3												NOT RECOMMENDED	SEE 33482-4107	
KEY D, GREEN	33482-4014	D-GR	GCP	PLR	M		2	3												NOT RECOMMENDED	SEE 33482-4108	
KEY A, BLACK	33482-4016	A-BLK	GCP	PLR	M	1	2	3	4											SALEABLE		
KEY B, LIGHT GRAY	33482-4017	B-LG	GCP	PLR	M	1	2	3	4											SALEABLE		
KEY C, BROWN	33482-4018	C-BR	GCP	PLR	M	1	2	3	4											NOT RECOMMENDED	SEE 33482-4109	
KEY D, GREEN	33482-4019	D-GR	GCP	PLR	M	1	2	3	4											NOT RECOMMENDED	SEE 33482-4110	
KEY A, BLACK	33482-4021	A-BLK	GCP	PLR	M	1	2	3												SALEABLE		
KEY A, BLACK	33482-4022	A-BLK	GCP	PLR	M				4											SALEABLE		
KEY A, BLACK	33482-4023	A-BLK	GCP	PLR	M			3	4											SALEABLE		
KEY A, BLACK	33482-4024	A-BLK	GCP	PLR	M			3												SALEABLE		
KEY A, BLACK	33482-4025	A-BLK	GCP	PLR	M	1	2													SALEABLE		
KEY C, DARK GRAY	33482-4103	C-DG	GCO	PLR	M															SALEABLE		
KEY D, STONE GRAY	33482-4104	D-SG	GCO	PLR	M															SALEABLE		
KEY C, DARK GRAY	33482-4105	C-DG	GCP	PLR	M		2													SALEABLE		
KEY D, STONE GRAY	33482-4106	D-SG	GCP	PLR	M		2													SALEABLE		
KEY C, DARK GRAY	33482-4107	C-DG	GCP	PLR	M		2	3												SALEABLE		
KEY D, STONE GRAY	33482-4108	D-SG	GCP	PLR	M		2	3												SALEABLE		
KEY C, DARK GRAY	33482-4109	C-DG	GCP	PLR	M	1	2	3	4											SALEABLE		
KEY D, STONE GRAY	33482-4110	D-SG	GCP	PLR	M	1	2	3	4											SALEABLE		
KEY A, BLACK	33482-4111	A-BLK	GCP	PLR	M		2		4											SALEABLE		
KEY A, YELLOW	33482-4112	A-YW	GCO	PLR	M															SALEABLE		
KEY B, LIGHT GRAY	33482-4113	B-LG	GCP	PLR	M	1														SALEABLE		
KEY A, BLACK	33482-4115	A-BLK	GCP	PLR	M	1		3												SALEABLE		
KEY C, DARK GRAY	33482-4116	C-DG	GCP	PLR	M		2		4											SALEABLE		
KEY B, LIGHT GRAY	33482-4117	B-LG	GCP	PLR	M		2		4											SALEABLE		
KEY B, LIGHT GRAY	33482-4118	B-LG	GCP	PLR	M				4											SALEABLE		
KEY A, BLACK	33482-4119	A-BLK	GCP	PLR	M	1			4											SALEABLE		

**MX150 2X3 BLADE SEALED ASSEMBLY MAT SEAL
BOM AND PIN OUT SHEET**



ABBREVIATION	DESCRIPTION	COLOR	MATERIAL
A-BLK	HOUSING, KEYING OPTION A	BLACK	SPS/NYLON GF20
B-LG	HOUSING, KEYING OPTION B	LIGHT GRAY	SPS/NYLON GF20
C-BR	HOUSING, KEYING OPTION C	BROWN	SPS/NYLON GF20
D-GR	HOUSING, KEYING OPTION D	GREEN	SPS/NYLON GF20
C-DG	HOUSING, KEYING OPTION C	DARK GRAY	SPS/NYLON GF20
D-SG	HOUSING, KEYING OPTION D	STONE GRAY	SPS/NYLON GF20
A-YW	HOUSING, KEYING OPTION A	YELLOW	SPS/NYLON GF20
GC	GROMMET CAP (STANDARD)	BLACK	SPS/NYLON GF20
GCL	GROMMET CAP (LENGTHENED)	BLACK	SPS/NYLON GF20
PLR	PLR	NATURAL	SPS/NYLON GF20
M	MAT SEAL	ROYAL BLUE	INHERENTLY LUBRICATED SILICONE

FOR ADDITIONAL INFORMATION SEE SD-33482-0001

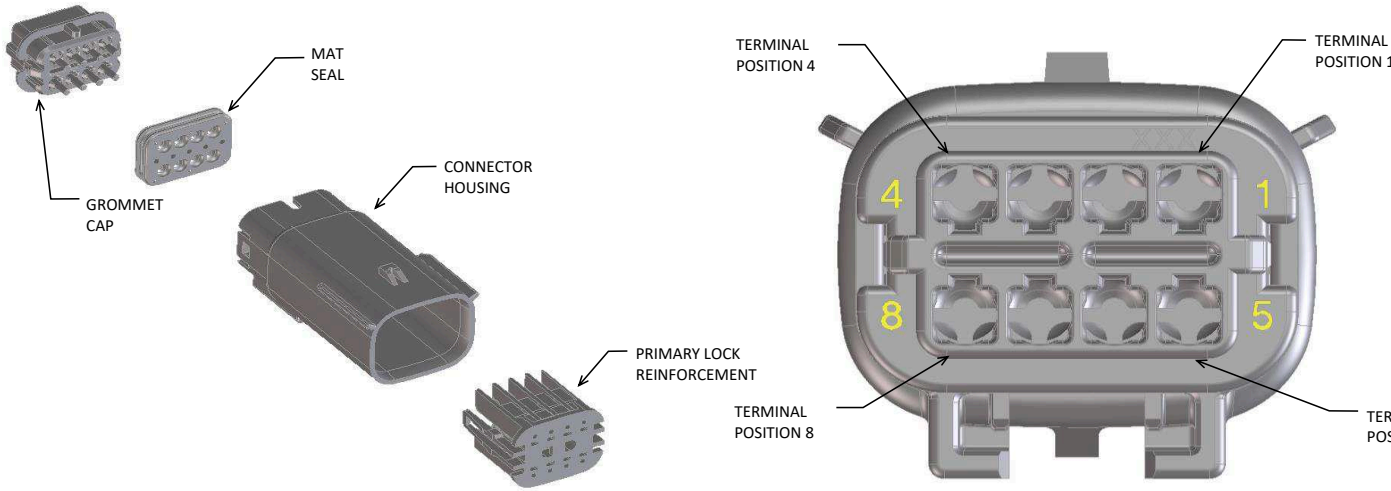
ASSEMBLY DESCRIPTION	ASSEMBLY PART NUMBER	COMPONENT				BLOCKED TERMINALS												STATUS	COMMENTS	OPTIONAL ATTACHMENTS SOLD SEPERATELY			
		THE PRESENCE OF AN ABBREVIATION INDICATES THE PRESENCE OF THAT COMPONENT.				CAVITY WITH A NUMBER INDICATES BLOCKED TERMINAL POSITION CAVITY WITHOUT A NUMBER INDICATES OPEN TERMINAL POSITION														BACKSHELL WITH RIBS	BACKSHELL WITHOUT RIBS		
		HOUSING KEY/COLOR	GROMMET CAP	PLR	MAT SEAL	1	2	3	4	5	6												
KEY A, BLACK	33482-3601	A-BLK	GC	PLR	M															SALEABLE		34950-0610	34950-0620
KEY B, LIGHT GRAY	33482-3602	B-LG	GC	PLR	M															SALEABLE		34950-0610	34950-0620
KEY C, BROWN	33482-3603	C-BR	GC	PLR	M															NOT RECOMMENDED	SEE 33482-3628	34950-0610	34950-0620
KEY D, GREEN	33482-3604	D-GR	GC	PLR	M															NOT RECOMMENDED	SEE 33482-3629	34950-0610	34950-0620
VOID KEY	33482-3605																						
KEY A, BLACK	33482-3606	A-BLK	GC	PLR	M				3											SALEABLE		34950-0610	34950-0620
KEY B, LIGHT GRAY	33482-3607	B-LG	GC	PLR	M				3											SALEABLE		34950-0610	34950-0620
KEY C, BROWN	33482-3608	C-BR	GC	PLR	M				3											NOT RECOMMENDED	SEE 33482-3638	34950-0610	34950-0620
KEY D, GREEN	33482-3609	D-GR	GC	PLR	M				3											NOT RECOMMENDED	SEE 33482-3641	34950-0610	34950-0620
VOID KEY	33482-3610																						
KEY A, BLACK	33482-3611	A-BLK	GC	PLR	M				3	4										SALEABLE		34950-0610	34950-0620
KEY B, LIGHT GRAY	33482-3612	B-LG	GC	PLR	M				3	4										SALEABLE		34950-0610	34950-0620
KEY C, BROWN	33482-3613	C-BR	GC	PLR	M				3	4										NOT RECOMMENDED	SEE 33482-3642	34950-0610	34950-0620
KEY D, GREEN	33482-3614	D-GR	GC	PLR	M				3	4										NOT RECOMMENDED	SEE 33482-3643	34950-0610	34950-0620
VOID KEY	33482-3615																						
KEY A, BLACK	33482-3616	A-BLK	GC	PLR	M				3											SALEABLE		34950-0610	34950-0620
KEY A, BLACK	33482-3617	A-BLK	GC	PLR	M		2													SALEABLE		34950-0610	34950-0620
KEY A, BLACK	33482-3618	A-BLK	GC	PLR	M									5	6					SALEABLE		34950-0610	34950-0620
KEY A, BLACK	33482-3619	A-BLK	GC	PLR	M			2	3	4	5									SALEABLE		34950-0610	34950-0620
KEY A, BLACK	33482-3620	A-BLK	GC	PLR	M	1	2	3	4	5	6									SALEABLE		34950-0610	34950-0620
KEY A, BLACK	33482-3621	A-BLK	GC	PLR	M	1			4	5										SALEABLE		34950-0610	34950-0620
KEY A, BLACK	33482-3622	A-BLK	GC	PLR	M				4	5	6									SALEABLE		34950-0610	34950-0620
KEY A, BLACK	33482-3623	A-BLK	GC	PLR	M					5										SALEABLE		34950-0610	34950-0620
KEY A, BLACK	33482-3624	A-BLK	GC	PLR	M									6						SALEABLE		34950-0610	34950-0620
KEY B, LIGHT GRAY	33482-3625	B-LG	GC	PLR	M	1								5						SALEABLE		34950-0610	34950-0620
KEY A, BLACK	33482-3626	A-BLK	GC	PLR	M	1	2	3	4											SALEABLE		34950-0610	34950-0620
KEY A, BLACK	33482-3627	A-BLK	GC	PLR	M			2	3					5	6					SALEABLE		34950-0610	34950-0620
KEY C, DARK GRAY	33482-3628	C-DG	GC	PLR	M															SALEABLE		34950-0610	34950-0620
KEY D, STONE GRAY	33482-3629	D-SG	GC	PLR	M															SALEABLE		34950-0610	34950-0620
KEY A, BLACK	33482-3630	A-BLK	GC	PLR	M					3					6					SALEABLE		34950-0610	34950-0620
KEY A, BLACK	33482-3631	A-BLK	GCL	PLR	M															SALEABLE		34950-0610	34950-0620
KEY B, LIGHT GRAY	33482-3632	B-LG	GCL	PLR	M															SALEABLE		34950-0610	34950-0620
KEY C, DARK GRAY	33482-3633	C-DG	GCL	PLR	M															SALEABLE		34950-0610	34950-0620
KEY D, STONE GRAY	33482-3634	D-SG	GCL	PLR	M															SALEABLE		34950-0610	34950-0620
KEY C, DARK GRAY	33482-3635	C-DG	GCL	PLR	M					3										SALEABLE		34950-0610	34950-0620
KEY A, BLACK	33482-3636	A-BLK	GCL	PLR	M					3										SALEABLE		34950-0610	34950-0620
KEY A, BLACK	33482-3637	A-BLK	GC	PLR	M			2							6					SALEABLE		34950-0610	34950-0620
KEY C, DARK GRAY	33482-3638	C-DG	GC	PLR	M					3										SALEABLE		34950-0610	34950-0620
KEY A, BLACK	33482-3639	A-BLK	GCL	PLR	M	1	2	3	4	5	6									SALEABLE		34950-0610	34950-0620
KEY A, BLACK	33482-3640	A-BLK	GC	PLR	M															SALEABLE		34950-0610	34950-0620
KEY D, STONE GRAY	33482-3641	D-SG	GC	PLR	M					3										SALEABLE		34950-0610	34950-0620
KEY C, DARK GRAY	33482-3642	C-DG	GC	PLR	M					3	4									SALEABLE		34950-0610	34950-0620
KEY D, STONE GRAY	33482-3643	D-SG	GC	PLR	M					3	4									SALEABLE		34950-0610	34950-0620
KEY A, YELLOW	33482-3644	A-YW	GC	PLR	M															SALEABLE		34950-0610	34950-0620
KEY A, BLACK	33482-3645	A-BLK	GC	PLR	M					3	4	5	6							SALEABLE		34950-0610	34950-0620
KEY A, BLACK	33482-3646	A-BLK	GC	PLR	M			2	3											SALEABLE		34950-0610	34950-0620



**MX150 2X3 BLADE SEALED ASSEMBLY MAT SEAL
BOM AND PIN OUT SHEET**

ASSEMBLY DESCRIPTION	ASSEMBLY PART NUMBER	COMPONENT				BLOCKED TERMINALS											STATUS	COMMENTS	OPTIONAL ATTACHMENTS SOLD SEPERATELY			
		THE PRESENCE OF AN ABBREVIATION INDICATES THE PRESENCE OF THAT COMPONENT.				CAVITY WITH A NUMBER INDICATES BLOCKED TERMINAL POSITION CAVITY WITHOUT A NUMBER INDICATES OPEN TERMINAL POSITION													BACKSHELL WITH RIBS	BACKSHELL WITHOUT RIBS		
		HOUSING KEY/COLOR	GROMMET CAP	PLR	MAT SEAL	1	2	3	4	5	6											
KEY B, LIGHT GRAY	33482-3647	B-LG	GC	PLR	M		2	3											SALEABLE		34950-0610	34950-0620
KEY C, DARK GRAY	33482-3648	C-DG	GC	PLR	M						6								SALEABLE		34950-0610	34950-0620
KEY A, BLACK	33482-3649	A-BLK	GC	PLR	M				4		6								SALEABLE		34950-0610	34950-0620
KEY A, BLACK	33482-3650	A-BLK	GC	PLR	M	1		3		5									SALEABLE		34950-0610	34950-0620
KEY A, BLACK	33482-3651	A-BLK	GC	PLR	M		2		4		6								SALEABLE		34950-0610	34950-0620
KEY A, BLACK	33482-3652	A-BLK	GC	PLR	M	1					6								SALEABLE		34950-0610	34950-0620
KEY A, BLACK	33482-3653	A-BLK	GC	PLR	M		2			5									SALEABLE		34950-0610	34950-0620
KEY A, BLACK	33482-3654	A-BLK	GC	PLR	M	1		3	4										SALEABLE		34950-0610	34950-0620
KEY A, BLACK	33482-3655	A-BLK	GC	PLR	M	1	2	3		5	6								SALEABLE		34950-0610	34950-0620
KEY A, BLACK	33482-3656	A-BLK	GC	PLR	M	1	2	3											SALEABLE		34950-0610	34950-0620
KEY A, BLACK	33482-3657	A-BLK	GC	PLR	M				4	5									SALEABLE		34950-0610	34950-0620
KEY A, BLACK	33482-3658	A-BLK	GC	PLR	M	1													SALEABLE		34950-0610	34950-0620
KEY B, LIGHT GRAY	33482-3659	B-LG	GC	PLR	M	1													SALEABLE		34950-0610	34950-0620
KEY B, LIGHT GRAY	33482-3660	B-LG	GC	PLR	M					5									SALEABLE		34950-0610	34950-0620
KEY A, BLACK	33482-3661	A-BLK	GC	PLR	M	1				5									SALEABLE		34950-0610	34950-0620
KEY A, BLACK	33482-3662	A-BLK	GC	PLR	M			3	4		6								SALEABLE		34950-0610	34950-0620
KEY B, LIGHT GRAY	33482-3663	B-LG	GC	PLR	M					5	6								SALEABLE		34950-0610	34950-0620

**MX150 2X4 BLADE SEALED ASSEMBLY MAT SEAL
BOM AND PIN OUT SHEET**



ABBREVIATION	DESCRIPTION	COLOR	MATERIAL
A-BLK	HOUSING, KEYING OPTION A	BLACK	SPS/NYLON GF20
B-LG	HOUSING, KEYING OPTION B	LIGHT GRAY	SPS/NYLON GF20
C-BR	HOUSING, KEYING OPTION C	BROWN	SPS/NYLON GF20
D-GR	HOUSING, KEYING OPTION D	GREEN	SPS/NYLON GF20
C-DG	HOUSING, KEYING OPTION C	DARK GRAY	SPS/NYLON GF20
D-SG	HOUSING, KEYING OPTION D	STONE GRAY	SPS/NYLON GF20
A-YW	HOUSING, KEYING OPTION A	YELLOW	SPS/NYLON GF20
GCP	GROMMET CAP (PLUGGED)	BLACK	SPS/NYLON GF20
GCO	GROMMET CAP (OPEN)	BLACK	SPS/NYLON GF20
PLR	PLR	NATURAL	SPS/NYLON GF20
M-R	MAT SEAL	RUST RED	INHERENTLY LUBRICATED SILICONE
M-B	MAT SEAL	ROYAL BLUE	INHERENTLY LUBRICATED SILICONE

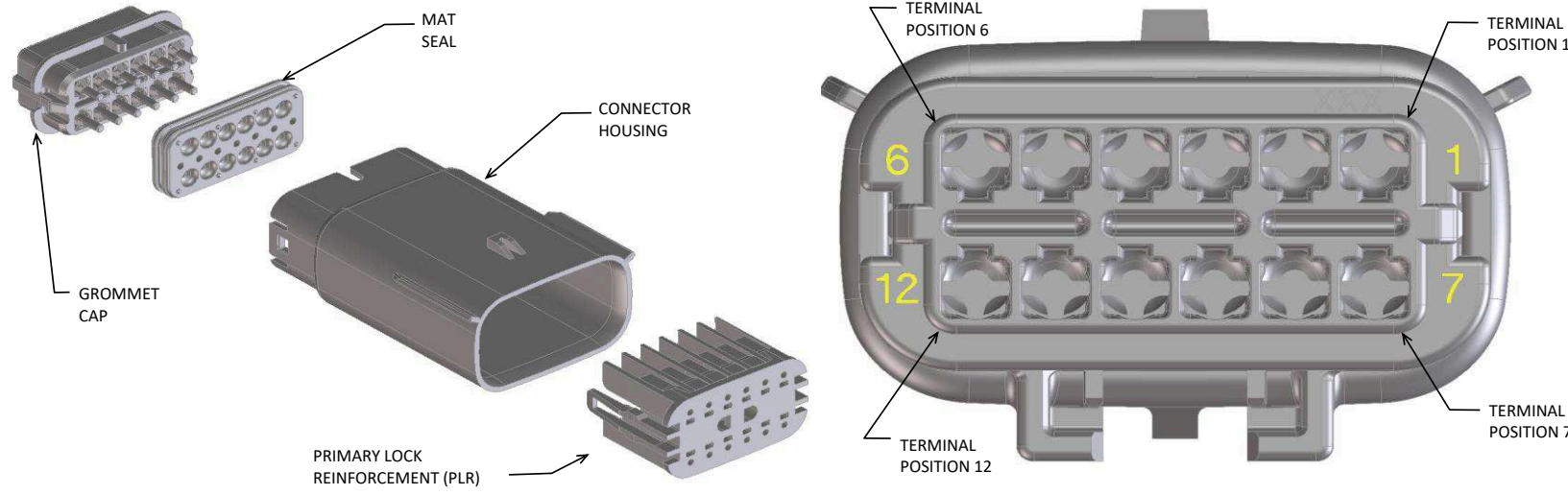
FOR ADDITIONAL INFORMATION SEE SD-33482-0001

ASSEMBLY DESCRIPTION	ASSEMBLY PART NUMBER	COMPONENT				BLOCKED TERMINALS								STATUS	COMMENTS	OPTIONAL ATTACHMENTS SOLD SEPERATELY					
		THE PRESENCE OF AN ABBREVIATION INDICATES THE PRESENCE OF THAT COMPONENT.				CAVITY WITH A NUMBER INDICATES BLOCKED TERMINAL POSITION CAVITY WITHOUT A NUMBER INDICATES OPEN TERMINAL POSITION										BACKSHELL WITH RIBS	BACKSHELL WITHOUT RIBS	90° ADAPTOR WITH RIBS	90° ADAPTOR WITHOUT RIBS		
		HOUSING KEY/COLOR	GROMMET CAP	PLR	MAT SEAL	1	2	3	4	5	6	7	8								
KEY A, BLACK	33482-0801	A-BLK	GCO	PLR	M-R											PLANNED OBSOLESCENCE	SEE 33482-4801	34950-0811	34950-0821	34951-0831	34951-0841
KEY B, LIGHT GRAY	33482-0802	B-LG	GCO	PLR	M-R											PLANNED OBSOLESCENCE	SEE 33482-4802	34950-0811	34950-0821	34951-0831	34951-0841
KEY C, BROWN	33482-0803	C-BR	GCO	PLR	M-R											PLANNED OBSOLESCENCE	SEE 33482-4803	34950-0811	34950-0821	34951-0831	34951-0841
KEY D, GREEN	33482-0804	D-GR	GCO	PLR	M-R											PLANNED OBSOLESCENCE	SEE 33482-4804	34950-0811	34950-0821	34951-0831	34951-0841
VOID KEY	33482-0805																				
KEY A, BLACK	33482-0806	A-BLK	GCP	PLR	M-R				4							PLANNED OBSOLESCENCE	SEE 33482-4806	34950-0811	34950-0821	34951-0831	34951-0841
KEY B, LIGHT GRAY	33482-0807	B-LG	GCP	PLR	M-R				4							PLANNED OBSOLESCENCE	SEE 33482-4807	34950-0811	34950-0821	34951-0831	34951-0841
KEY C, BROWN	33482-0808	C-BR	GCP	PLR	M-R				4							PLANNED OBSOLESCENCE	SEE 33482-4808	34950-0811	34950-0821	34951-0831	34951-0841
KEY D, GREEN	33482-0809	D-GR	GCP	PLR	M-R				4							PLANNED OBSOLESCENCE	SEE 33482-4809	34950-0811	34950-0821	34951-0831	34951-0841
VOID KEY	33482-0810																				
KEY A, BLACK	33482-0811	A-BLK	GCP	PLR	M-R				4	5						PLANNED OBSOLESCENCE	SEE 33482-4811	34950-0811	34950-0821	34951-0831	34951-0841
KEY B, LIGHT GRAY	33482-0812	B-LG	GCP	PLR	M-R				4	5						PLANNED OBSOLESCENCE	SEE 33482-4812	34950-0811	34950-0821	34951-0831	34951-0841
KEY C, BROWN	33482-0813	C-BR	GCP	PLR	M-R				4	5						PLANNED OBSOLESCENCE	SEE 33482-4813	34950-0811	34950-0821	34951-0831	34951-0841
KEY D, GREEN	33482-0814	D-GR	GCP	PLR	M-R				4	5						PLANNED OBSOLESCENCE	SEE 33482-4814	34950-0811	34950-0821	34951-0831	34951-0841
VOID KEY	33482-0815																				
KEY A, BLACK	33482-0816	A-BLK	GCP	PLR	M-R	1			4	5						PLANNED OBSOLESCENCE	SEE 33482-4816	34950-0811	34950-0821	34951-0831	34951-0841
KEY B, LIGHT GRAY	33482-0817	B-LG	GCP	PLR	M-R	1			4	5						PLANNED OBSOLESCENCE	SEE 33482-4817	34950-0811	34950-0821	34951-0831	34951-0841
KEY C, BROWN	33482-0818	C-BR	GCP	PLR	M-R	1			4	5						PLANNED OBSOLESCENCE	SEE 33482-4818	34950-0811	34950-0821	34951-0831	34951-0841
KEY D, GREEN	33482-0819	D-GR	GCP	PLR	M-R	1			4	5						PLANNED OBSOLESCENCE	SEE 33482-4819	34950-0811	34950-0821	34951-0831	34951-0841
VOID KEY	33482-0820																				
KEY A, BLACK	33482-0821	A-BLK	GCP	PLR	M-R	1			4	5			8			PLANNED OBSOLESCENCE	SEE 33482-4821	34950-0811	34950-0821	34951-0831	34951-0841
KEY B, LIGHT GRAY	33482-0822	B-LG	GCP	PLR	M-R	1			4	5			8			PLANNED OBSOLESCENCE	SEE 33482-4822	34950-0811	34950-0821	34951-0831	34951-0841
KEY C, BROWN	33482-0823	C-BR	GCP	PLR	M-R	1			4	5			8			PLANNED OBSOLESCENCE	SEE 33482-4823	34950-0811	34950-0821	34951-0831	34951-0841
KEY D, GREEN	33482-0824	D-GR	GCP	PLR	M-R	1			4	5			8			PLANNED OBSOLESCENCE	SEE 33482-4824	34950-0811	34950-0821	34951-0831	34951-0841
VOID KEY	33482-0825																				
KEY A, BLACK	33482-0826	A-BLK	GCP	PLR	M-R	1	2	3			6	7	8			PLANNED OBSOLESCENCE	SEE 33482-4826	34950-0811	34950-0821	34951-0831	34951-0841
KEY A, BLACK	33482-0827	A-BLK	GCP	PLR	M-R								8			PLANNED OBSOLESCENCE	SEE 33482-4827	34950-0811	34950-0821	34951-0831	34951-0841
KEY A, BLACK	33482-0828	A-BLK	GCP	PLR	M-R			3		5						PLANNED OBSOLESCENCE	SEE 33482-4828	34950-0811	34950-0821	34951-0831	34951-0841
KEY A, BLACK	33482-0829	A-BLK	GCP	PLR	M-R		2	3	4	5	6	7				PLANNED OBSOLESCENCE	SEE 33482-4829	34950-0811	34950-0821	34951-0831	34951-0841
KEY A, BLACK	33482-0830	A-BLK	GCP	PLR	M-R						6					PLANNED OBSOLESCENCE	SEE 33482-4830	34950-0811	34950-0821	34951-0831	34951-0841
KEY A, BLACK	33482-0831	A-BLK	GCP	PLR	M-R			3		5	6					PLANNED OBSOLESCENCE	SEE 33482-4831	34950-0811	34950-0821	34951-0831	34951-0841
KEY A, BLACK	33482-0832	A-BLK	GCP	PLR	M-R					5	6		8			PLANNED OBSOLESCENCE	SEE 33482-4832	34950-0811	34950-0821	34951-0831	34951-0841
KEY A, BLACK	33482-0833	A-BLK	GCP	PLR	M-R	1			3	5						PLANNED OBSOLESCENCE	SEE 33482-4833	34950-0811	34950-0821	34951-0831	34951-0841
KEY A, BLACK	33482-0834	A-BLK	GCP	PLR	M-R	1	2	3	4	5	6	7	8			PLANNED OBSOLESCENCE	SEE 33482-4834	34950-0811	34950-0821	34951-0831	34951-0841
KEY A, BLACK	33482-0835	A-BLK	GCP	PLR	M-R							7	8			PLANNED OBSOLESCENCE	SEE 33482-4835	34950-0811	34950-0821	34951-0831	34951-0841
KEY A, BLACK	33482-0836	A-BLK	GCP	PLR	M-R			2	3		6	7	8			PLANNED OBSOLESCENCE	SEE 33482-4836	34950-0811	34950-0821	34951-0831	34951-0841
KEY A, BLACK	33482-0837	A-BLK	GCP	PLR	M-R	1			4							PLANNED OBSOLESCENCE	SEE 33482-4837	34950-0811	34950-0821	34951-0831	34951-0841
KEY A, BLACK	33482-0838	A-BLK	GCP	PLR	M-R		2	3		5	6	7	8			PLANNED OBSOLESCENCE	SEE 33482-4838	34950-0811	34950-0821	34951-0831	34951-0841
KEY B, LIGHT GRAY	33482-0839	B-LG	GCP	PLR	M-R								8			PLANNED OBSOLESCENCE	SEE 33482-4839	34950-0811	34950-0821	34951-0831	34951-0841
KEY A, BLACK	33482-0840	A-BLK	GCP	PLR	M-R		2	3		5	6		8			PLANNED OBSOLESCENCE	SEE 33482-4840	34950-0811	34950-0821	34951-0831	34951-0841
KEY A, BLACK	33482-0841	A-BLK	GCP	PLR	M-R						6	7				PLANNED OBSOLESCENCE	SEE 33482-4841	34950-0811	34950-0821	34951-0831	34951-0841
KEY A, BLACK	33482-0842	A-BLK	GCP	PLR	M-R							7				PLANNED OBSOLESCENCE	SEE 33482-4842	34950-0811	34950-0821	34951-0831	34951-0841
KEY A, BLACK	33482-0843	A-BLK	GCP	PLR	M-R				4			7				PLANNED OBSOLESCENCE	SEE 33482-4843	34950-0811	34950-0821	34951-0831	34951-0841
KEY A, BLACK	33482-0844	A-BLK	GCP	PLR	M-R			3			6					PLANNED OBSOLESCENCE	SEE 33482-4844	34950-0811	34950-0821	34951-0831	34951-0841
KEY A, BLACK	33482-0845	A-BLK	GCP	PLR	M-R		2	3	4	5	6					PLANNED OBSOLESCENCE	SEE 33482-4845	34950-0811	34950-0821	34951-0831	34951-0841
KEY A, BLACK	33482-0846	A-BLK	GCP	PLR	M-R				4	5		7	8			PLANNED OBSOLESCENCE	SEE 33482-4846	34950-0811	34950-0821	34951-0831	34951-0841
KEY B, LIGHT GRAY	33482-0847	B-LG	GCP	PLR	M-R	1	2	3	4	5	6	7	8			PLANNED OBSOLESCENCE	SEE 33482-4847	34950-0811	34950-0821	34951-0831	34951-0841
KEY A, BLACK	33482-0848	A-BLK	GCP	PLR	M-R	1				5						PLANNED OBSOLESCENCE	SEE 33482-4848	34950-0811	34950-0821	34951-0831	34951-0841
KEY B, LIGHT GRAY	33482-0849	B-LG	GCP	PLR	M-R	1					6					PLANNED OBSOLESCENCE	SEE 33482-4849	34950-0811	34950-0821	34951-0831	34951-0841
KEY A, YELLOW	33482-0850	A-YW	GCP	PLR	M-R	1			4							PLANNED OBSOLESCENCE	SEE 33482-4850	34950-0811	34950-0821	34951-0831	34951-0841
KEY A, YELLOW	33482-0851	A-YW	GCO	PLR	M-R											PLANNED OBSOLESCENCE	SEE 33482-4851	34950-0811	34950-0821	34951-0831	34951-0841
KEY C, DARK GRAY	33482-0852	C-DG	GCO	PLR	M-R											PLANNED OBSOLESCENCE	SEE 33482-4852	34950-0811	34950-0821	34951-0831	34951-0841
KEY D, STONE GRAY	33482-0853	D-SG	GCO	PLR	M-R											PLANNED OBSOLESCENCE	SEE 33482-4853	34950-0811	34950-0821	34951-0831	34951-0841

MX150 2X4 BLADE SEALED ASSEMBLY MAT SEAL
BOM AND PIN OUT SHEET

Table with columns: ASSEMBLY DESCRIPTION, ASSEMBLY PART NUMBER, COMPONENT (HOUSING KEY/COLOR, GROMMET CAP, PLR, MAT SEAL), BLOCKED TERMINALS (1-8), STATUS, COMMENTS, and OPTIONAL ATTACHMENTS SOLD SEPERATELY (BACKSHELL WITH RIBS, BACKSHELL WITHOUT RIBS, 90° ADAPTOR WITH RIBS, 90° ADAPTOR WITHOUT RIBS).

MX150 2X6 BLADE SEALED ASSY MAT SEAL
BOM AND PIN OUT SHEET



ABBREVIATION	DESCRIPTION	COLOR	MATERIAL
A-BLK	HOUSING, KEYING OPTION A	BLACK	SPS/NYLON GF20
B-LG	HOUSING, KEYING OPTION B	LIGHT GRAY	SPS/NYLON GF20
C-BR	HOUSING, KEYING OPTION C	BROWN	SPS/NYLON GF20
D-GR	HOUSING, KEYING OPTION D	GREEN	SPS/NYLON GF20
A-YL	HOUSING, KEYING OPTION A	YELLOW	SPS/NYLON GF20
C-DG	HOUSING, KEYING OPTION C	DARK GRAY	SPS/NYLON GF20
D-SG	HOUSING, KEYING OPTION D	STONE GRAY	SPS/NYLON GF20
GCP	GROMMET CAP (PLUGGED)	BLACK	SPS/NYLON GF20
PLR	PLR	NATURAL	SPS/NYLON GF20
M-R	MAT SEAL	RUST RED	INHERENTLY LUBRICATED SILICONE
M-B	MAT SEAL	ROYAL BLUE	INHERENTLY LUBRICATED SILICONE

FOR ADDITIONAL INFORMATION SEE SD-33482-0001

ASSEMBLY DESCRIPTION	ASSEMBLY PART NUMBER	COMPONENT				BLOCKED TERMINALS												STATUS	COMMENTS	OPTIONAL ATTACHMENTS SOLD SEPERATELY					
		THE PRESENCE OF AN ABBREVIATION INDICATES THE PRESENCE OF THAT COMPONENT.				CAVITY WITH A NUMBER INDICATES BLOCKED TERMINAL POSITION CAVITY WITHOUT A NUMBER INDICATES OPEN TERMINAL POSITION														BACKSHELL WITH RIBS	BACKSHELL WITHOUT RIBS				
		HOUSING KEY/COLOR	GROMMET CAP	PLR	MAT SEAL	1	2	3	4	5	6	7	8	9	10	11	12								
KEY A, BLACK	33482-1201	A-BLK	GCP	PLR	M-R																PLANNED OBSOLESCENCE	SEE 33482-6201	34950-1210	34950-1220	
KEY B, LIGHT GRAY	33482-1202	B-LG	GCP	PLR	M-R																	PLANNED OBSOLESCENCE	SEE 33482-6202	34950-1210	34950-1220
KEY C, BROWN	33482-1203	C-BR	GCP	PLR	M-R																	PLANNED OBSOLESCENCE	SEE 33482-6203	34950-1210	34950-1220
KEY D, GREEN	33482-1204	D-GR	GCP	PLR	M-R																	PLANNED OBSOLESCENCE	SEE 33482-6204	34950-1210	34950-1220
VOID KEY	33482-1205																								
KEY A, BLACK	33482-1206	A-BLK	GCP	PLR	M-R						6											PLANNED OBSOLESCENCE	SEE 33482-6206	34950-1210	34950-1220
KEY B, LIGHT GRAY	33482-1207	B-LG	GCP	PLR	M-R						6											PLANNED OBSOLESCENCE	SEE 33482-6207	34950-1210	34950-1220
KEY C, BROWN	33482-1208	C-BR	GCP	PLR	M-R						6											PLANNED OBSOLESCENCE	SEE 33482-6208	34950-1210	34950-1220
KEY D, GREEN	33482-1209	D-GR	GCP	PLR	M-R						6											PLANNED OBSOLESCENCE	SEE 33482-6209	34950-1210	34950-1220
VOID KEY	33482-1210																								
KEY A, BLACK	33482-1211	A-BLK	GCP	PLR	M-R						6	7										PLANNED OBSOLESCENCE	SEE 33482-6211	34950-1210	34950-1220
KEY B, LIGHT GRAY	33482-1212	B-LG	GCP	PLR	M-R						6	7										PLANNED OBSOLESCENCE	SEE 33482-6212	34950-1210	34950-1220
KEY C, BROWN	33482-1213	C-BR	GCP	PLR	M-R						6	7										PLANNED OBSOLESCENCE	SEE 33482-6213	34950-1210	34950-1220
KEY D, GREEN	33482-1214	D-GR	GCP	PLR	M-R						6	7										PLANNED OBSOLESCENCE	SEE 33482-6214	34950-1210	34950-1220
VOID KEY	33482-1215																								
KEY A, BLACK	33482-1216	A-BLK	GCP	PLR	M-R	1					6	7										PLANNED OBSOLESCENCE	SEE 33482-6216	34950-1210	34950-1220
KEY B, LIGHT GRAY	33482-1217	B-LG	GCP	PLR	M-R	1					6	7										PLANNED OBSOLESCENCE	SEE 33482-6217	34950-1210	34950-1220
KEY C, BROWN	33482-1218	C-BR	GCP	PLR	M-R	1					6	7										PLANNED OBSOLESCENCE	SEE 33482-6218	34950-1210	34950-1220
KEY D, GREEN	33482-1219	D-GR	GCP	PLR	M-R	1					6	7										PLANNED OBSOLESCENCE	SEE 33482-6219	34950-1210	34950-1220
VOID KEY	33482-1220																								
KEY A, BLACK	33482-1221	A-BLK	GCP	PLR	M-R	1					6	7								12		PLANNED OBSOLESCENCE	SEE 33482-6221	34950-1210	34950-1220
KEY B, LIGHT GRAY	33482-1222	B-LG	GCP	PLR	M-R	1					6	7								12		PLANNED OBSOLESCENCE	SEE 33482-6222	34950-1210	34950-1220
KEY C, BROWN	33482-1223	C-BR	GCP	PLR	M-R	1					6	7								12		PLANNED OBSOLESCENCE	SEE 33482-6223	34950-1210	34950-1220
KEY D, GREEN	33482-1224	D-GR	GCP	PLR	M-R	1					6	7								12		PLANNED OBSOLESCENCE	SEE 33482-6224	34950-1210	34950-1220
VOID KEY	33482-1225																								
KEY A, BLACK	33482-1226	A-BLK	GCP	PLR	M-R						6										12	PLANNED OBSOLESCENCE	SEE 33482-6226	34950-1210	34950-1220
KEY A, BLACK	33482-1227	A-BLK	GCP	PLR	M-R	1	2	3	4	5	6	7	8	9	10	11	12					PLANNED OBSOLESCENCE	SEE 33482-6227	34950-1210	34950-1220
KEY B, LIGHT GRAY	33482-1228	B-LG	GCP	PLR	M-R	1	2	3	4	5	6	7	8	9	10	11	12					PLANNED OBSOLESCENCE	SEE 33482-6228	34950-1210	34950-1220
KEY C, BROWN	33482-1229	C-BR	GCP	PLR	M-R	1	2	3	4	5	6	7	8	9	10	11	12					PLANNED OBSOLESCENCE	SEE 33482-6229	34950-1210	34950-1220
KEY D, GREEN	33482-1230	D-GR	GCP	PLR	M-R	1	2	3	4	5	6	7	8	9	10	11	12					PLANNED OBSOLESCENCE	SEE 33482-6230	34950-1210	34950-1220
VOID KEY	33482-1231																								
KEY A, BLACK	33482-1232	A-BLK	GCP	PLR	M-R		2	3					8							11		PLANNED OBSOLESCENCE	SEE 33482-6232	34950-1210	34950-1220
KEY A, BLACK	33482-1233	A-BLK	GCP	PLR	M-R		2	3					8							11		PLANNED OBSOLESCENCE	SEE 33482-6233	34950-1210	34950-1220
KEY A, BLACK	33482-1234	A-BLK	GCP	PLR	M-R						6	7										PLANNED OBSOLESCENCE	SEE 33482-6234	34950-1210	34950-1220
KEY A, BLACK	33482-1235	A-BLK	GCP	PLR	M-R			2	3				6	7	8		10	11				PLANNED OBSOLESCENCE	SEE 33482-6235	34950-1210	34950-1220
KEY B, LIGHT GRAY	33482-1236	B-LG	GCP	PLR	M-R	1					5	6	7	8	9	10						PLANNED OBSOLESCENCE	SEE 33482-6236	34950-1210	34950-1220
KEY A, BLACK	33482-1237	A-BLK	GCP	PLR	M-R			2														PLANNED OBSOLESCENCE	SEE 33482-6237	34950-1210	34950-1220
KEY B, LIGHT GRAY	33482-1238	B-LG	GCP	PLR	M-R			2														PLANNED OBSOLESCENCE	SEE 33482-6238	34950-1210	34950-1220
KEY A, BLACK	33482-1239	A-BLK	GCP	PLR	M-R	1					5	6	7	8								PLANNED OBSOLESCENCE	SEE 33482-6239	34950-1210	34950-1220
KEY A, BLACK	33482-1240	A-BLK	GCP	PLR	M-R			2	3					8	9	10		11				PLANNED OBSOLESCENCE	SEE 33482-6240	34950-1210	34950-1220
KEY A, BLACK	33482-1241	A-BLK	GCP	PLR	M-R								7	8	9	10		11				PLANNED OBSOLESCENCE	SEE 33482-6241	34950-1210	34950-1220
KEY A, BLACK	33482-1242	A-BLK	GCP	PLR	M-R								7	8								PLANNED OBSOLESCENCE	SEE 33482-6242	34950-1210	34950-1220
KEY A, BLACK	33482-1243	A-BLK	GCP	PLR	M-R			2							9	10						PLANNED OBSOLESCENCE	SEE 33482-6243	34950-1210	34950-1220
KEY A, BLACK	33482-1244	A-BLK	GCP	PLR	M-R			2			4											PLANNED OBSOLESCENCE	SEE 33482-6244	34950-1210	34950-1220
KEY A, BLACK	33482-1245	A-BLK	GCP	PLR	M-R										9	10		11	12			PLANNED OBSOLESCENCE	SEE 33482-6245	34950-1210	34950-1220
KEY A, BLACK	33482-1246	A-BLK	GCP	PLR	M-R																11	PLANNED OBSOLESCENCE	SEE 33482-6246	34950-1210	34950-1220
KEY A, BLACK	33482-1247	A-BLK	GCP	PLR	M-R			2	3	4			7	8								PLANNED OBSOLESCENCE	SEE 33482-6247	34950-1210	34950-1220
KEY A, BLACK	33482-1248	A-BLK	GCP	PLR	M-R	1			3	4	5	6	7	8								PLANNED OBSOLESCENCE	SEE 33482-6248	34950-1210	34950-1220
KEY A, BLACK	33482-1249	A-BLK	GCP	PLR	M-R											10	11	12				PLANNED OBSOLESCENCE	SEE 33482-6249	34950-1210	34950-1220

MX150 2X6 BLADE SEALED ASSY MAT SEAL
BOM AND PIN OUT SHEET

ASSEMBLY DESCRIPTION	ASSEMBLY PART NUMBER	COMPONENT				BLOCKED TERMINALS												STATUS	COMMENTS	OPTIONAL ATTACHMENTS SOLD SEPERATELY		
		THE PRESENCE OF AN ABBREVIATION INDICATES THE PRESENCE OF THAT COMPONENT.				CAVITY WITH A NUMBER INDICATES BLOCKED TERMINAL POSITION CAVITY WITHOUT A NUMBER INDICATES OPEN TERMINAL POSITION														BACKSHELL WITH RIBS	BACKSHELL WITHOUT RIBS	
		HOUSING KEY/COLOR	GROMMET CAP	PLR	MAT SEAL	1	2	3	4	5	6	7	8	9	10	11	12					
KEY A, BLACK	33482-1472	A-BLK	GCP	PLR	M-R	1	2						7	8	9	10	11	12	PLANNED OBSOLESCENCE	SEE 33482-6472	34950-1210	34950-1220
KEY A, BLACK	33482-1473	A-BLK	GCP	PLR	M-R					5			7	8	9		11		PLANNED OBSOLESCENCE	SEE 33482-6473	34950-1210	34950-1220
KEY A, BLACK	33482-1474	A-BLK	GCP	PLR	M-R	1	2			5						10		12	PLANNED OBSOLESCENCE	SEE 33482-6474	34950-1210	34950-1220
KEY A, BLACK	33482-1475	A-BLK	GCP	PLR	M-R					5									PLANNED OBSOLESCENCE	SEE 33482-6475	34950-1210	34950-1220
KEY A, BLACK	33482-1476	A-BLK	GCP	PLR	M-R			3	4	5									PLANNED OBSOLESCENCE	SEE 33482-6476	34950-1210	34950-1220
KEY A, BLACK	33482-1477	A-BLK	GCP	PLR	M-R	1	2			5					9	10	11	12	PLANNED OBSOLESCENCE	SEE 33482-6477	34950-1210	34950-1220
KEY A, BLACK	33482-1478	A-BLK	GCP	PLR	M-R					5					9		11		PLANNED OBSOLESCENCE	SEE 33482-6478	34950-1210	34950-1220
KEY A, BLACK	33482-1479	A-BLK	GCP	PLR	M-R	1								8			11		PLANNED OBSOLESCENCE	SEE 33482-6479	34950-1210	34950-1220
KEY A, BLACK	33482-1480	A-BLK	GCP	PLR	M-R	1			4	5	6	7							PLANNED OBSOLESCENCE	SEE 33482-6480	34950-1210	34950-1220
KEY A, BLACK	33482-1481	A-BLK	GCP	PLR	M-R	1			4	5	6	7	8				11		PLANNED OBSOLESCENCE	SEE 33482-6481	34950-1210	34950-1220
KEY A, BLACK	33482-1482	A-BLK	GCP	PLR	M-R	1	2	3	4	5	6	7	8				11		PLANNED OBSOLESCENCE	SEE 33482-6482	34950-1210	34950-1220
KEY B, LIGHT GRAY	33482-1483	B-LG	GCP	PLR	M-R	1					6	7				10	11	12	PLANNED OBSOLESCENCE	SEE 33482-6483	34950-1210	34950-1220
KEY B, LIGHT GRAY	33482-1484	B-LG	GCP	PLR	M-R	1					6	7	8	9	10	11	12		PLANNED OBSOLESCENCE	SEE 33482-6484	34950-1210	34950-1220
KEY B, LIGHT GRAY	33482-1485	B-LG	GCP	PLR	M-R	1					5	6	7	8	9	10	11	12	PLANNED OBSOLESCENCE	SEE 33482-6485	34950-1210	34950-1220
KEY A, BLACK	33482-1486	A-BLK	GCP	PLR	M-R	1	2			5			7	8	9	10	11	12	PLANNED OBSOLESCENCE	SEE 33482-6486	34950-1210	34950-1220
KEY A, BLACK	33482-1487	A-BLK	GCP	PLR	M-R							7				11	12		PLANNED OBSOLESCENCE	SEE 33482-6487	34950-1210	34950-1220
KEY A, BLACK	33482-1488	A-BLK	GCP	PLR	M-R	1	2	3	4	5	6	7	8			11	12		PLANNED OBSOLESCENCE	SEE 33482-6488	34950-1210	34950-1220
KEY A, BLACK	33482-1489	A-BLK	GCP	PLR	M-R			3	4				7	8			11	12	PLANNED OBSOLESCENCE	SEE 33482-6489	34950-1210	34950-1220
KEY A, BLACK	33482-1490	A-BLK	GCP	PLR	M-R	1	2	3	4							11	12		PLANNED OBSOLESCENCE	SEE 33482-6490	34950-1210	34950-1220
KEY A, BLACK	33482-1491	A-BLK	GCP	PLR	M-R	1		3			5				7			9	PLANNED OBSOLESCENCE	SEE 33482-6491	34950-1210	34950-1220
KEY A, BLACK	33482-1492	A-BLK	GCP	PLR	M-R		2				6	7	8						PLANNED OBSOLESCENCE	SEE 33482-6492	34950-1210	34950-1220
KEY A, BLACK	33482-1493	A-BLK	GCP	PLR	M-R					5			7		9	10	11	12	PLANNED OBSOLESCENCE	SEE 33482-6493	34950-1210	34950-1220
KEY A, BLACK	33482-1494	A-BLK	GCP	PLR	M-R					5			9	10	11				PLANNED OBSOLESCENCE	SEE 33482-6494	34950-1210	34950-1220
KEY A, BLACK	33482-1495	A-BLK	GCP	PLR	M-R	1	2	3	4	5	6		8	9	10	11			PLANNED OBSOLESCENCE	SEE 33482-6495	34950-1210	34950-1220
KEY A, BLACK	33482-1496	A-BLK	GCP	PLR	M-R	1	2	3	4		6	7	8	9			12		PLANNED OBSOLESCENCE	SEE 33482-6496	34950-1210	34950-1220
KEY A, BLACK	33482-1497	A-BLK	GCP	PLR	M-R							7		9			12		PLANNED OBSOLESCENCE	SEE 33482-6497	34950-1210	34950-1220
KEY A, BLACK	33482-1498	A-BLK	GCP	PLR	M-R	1	2		4	5	6	7	8	9			12		PLANNED OBSOLESCENCE	SEE 33482-6498	34950-1210	34950-1220
KEY A, BLACK	33482-1499	A-BLK	GCP	PLR	M-R			3						9	10	11			PLANNED OBSOLESCENCE	SEE 33482-6499	34950-1210	34950-1220
KEY A, BLACK	33482-1500	A-BLK	GCP	PLR	M-R				2			5					10		PLANNED OBSOLESCENCE	SEE 33482-6500	34950-1210	34950-1220
KEY A, BLACK	33482-1501	A-BLK	GCP	PLR	M-R							7	7						PLANNED OBSOLESCENCE	SEE 33482-6501	34950-1210	34950-1220
KEY A, BLACK	33482-1502	A-BLK	GCP	PLR	M-R					4									PLANNED OBSOLESCENCE	SEE 33482-6502	34950-1210	34950-1220
KEY A, BLACK	33482-1503	A-BLK	GCP	PLR	M-R					4		6	7						PLANNED OBSOLESCENCE	SEE 33482-6502	34950-1210	34950-1220
KEY A, BLACK	33482-1504	A-BLK	GCP	PLR	M-R						6	7	8						PLANNED OBSOLESCENCE	SEE 33482-6503	34950-1210	34950-1220
KEY A, BLACK	33482-1504	A-BLK	GCP	PLR	M-R			3	4	5	6			8	9	10	11	12	PLANNED OBSOLESCENCE	SEE 33482-6504	34950-1210	34950-1220
KEY B, LIGHT GRAY	33482-1505	B-LG	GCP	PLR	M-R					5				8	9	10	11	12	PLANNED OBSOLESCENCE	SEE 33482-6505	34950-1210	34950-1220
KEY A, BLACK	33482-1506	A-BLK	GCP	PLR	M-R									8	9			12	PLANNED OBSOLESCENCE	SEE 33482-6506	34950-1210	34950-1220
KEY A, BLACK	33482-1507	A-BLK	GCP	PLR	M-R	1	2			4	5	6		8					PLANNED OBSOLESCENCE	SEE 33482-6507	34950-1210	34950-1220
KEY A, BLACK	33482-6201	A-BLK	GCP	PLR	M-B														SALEABLE		34950-1210	34950-1220
KEY B, LIGHT GRAY	33482-6202	B-LG	GCP	PLR	M-B														SALEABLE		34950-1210	34950-1220
KEY C, BROWN	33482-6203	C-BR	GCP	PLR	M-B														NOT RECOMMENDED	SEE 33482-6261	34950-1210	34950-1220
KEY D, GREEN	33482-6204	D-GR	GCP	PLR	M-B														NOT RECOMMENDED	SEE 33482-6262	34950-1210	34950-1220
VOID KEY	33482-6205																					
KEY A, BLACK	33482-6206	A-BLK	GCP	PLR	M-B						6								SALEABLE		34950-1210	34950-1220
KEY B, LIGHT GRAY	33482-6207	B-LG	GCP	PLR	M-B						6								SALEABLE		34950-1210	34950-1220
KEY C, BROWN	33482-6208	C-BR	GCP	PLR	M-B						6								NOT RECOMMENDED		34950-1210	34950-1220
KEY D, GREEN	33482-6209	D-GR	GCP	PLR	M-B						6								NOT RECOMMENDED		34950-1210	34950-1220
VOID KEY	33482-6210																					
KEY A, BLACK	33482-6211	A-BLK	GCP	PLR	M-B						6	7							SALEABLE		34950-1210	34950-1220
KEY B, LIGHT GRAY	33482-6212	B-LG	GCP	PLR	M-B						6	7							SALEABLE		34950-1210	34950-1220
KEY C, BROWN	33482-6213	C-BR	GCP	PLR	M-B						6	7							NOT RECOMMENDED		34950-1210	34950-1220
KEY D, GREEN	33482-6214	D-GR	GCP	PLR	M-B						6	7							NOT RECOMMENDED		34950-1210	34950-1220
VOID KEY	33482-6215																					
KEY A, BLACK	33482-6216	A-BLK	GCP	PLR	M-B	1					6	7							SALEABLE		34950-1210	34950-1220
KEY B, LIGHT GRAY	33482-6217	B-LG	GCP	PLR	M-B	1					6	7							SALEABLE		34950-1210	34950-1220
KEY C, BROWN	33482-6218	C-BR	GCP	PLR	M-B	1					6	7							NOT RECOMMENDED	SEE 33482-6320	34950-1210	34950-1220
KEY D, GREEN	33482-6219	D-GR	GCP	PLR	M-B	1					6	7							NOT RECOMMENDED	SEE 33482-6285	34950-1210	34950-1220
VOID KEY	33482-6220																					
KEY A, BLACK	33482-6221	A-BLK	GCP	PLR	M-B	1					6	7					12		SALEABLE		34950-1210	34950-1220
KEY B, LIGHT GRAY	33482-6222	B-LG	GCP	PLR	M-B	1					6	7					12		SALEABLE		34950-1210	34950-1220
KEY C, BROWN	33482-6223	C-BR	GCP	PLR	M-B	1					6	7					12		NOT RECOMMENDED		34950-1210	34950-1220
KEY D, GREEN	33482-6224	D-GR	GCP	PLR	M-B	1					6	7					12		NOT RECOMMENDED		34950-1210	34950-1220
VOID KEY	33482-6225																					
KEY A, BLACK	33482-6226	A-BLK	GCP	PLR	M-B						6								SALEABLE		34950-1210	34950-1220
KEY A, BLACK	33482-6227	A-BLK	GCP	PLR	M-B	1	2	3	4	5	6	7	8	9	10	11	12		SALEABLE		34950-1210	34950-1220
KEY B, LIGHT GRAY	33482-6228	B-LG	GCP	PLR	M-B	1	2	3	4	5	6	7	8	9	10	11	12		SALEABLE		34950-1210	34950-1220
KEY C, BROWN	33482-6229	C-BR	GCP	PLR	M-B	1	2	3	4	5	6	7	8	9	10	11	12		NOT RECOMMENDED	SEE 33482-6263	34950-1210	34950-1220
KEY D, GREEN	33482-6230	D-GR	GCP	PLR	M-B	1	2	3	4	5	6	7	8	9	10	11	12		NOT RECOMMENDED	SEE 33482-6264	34950-1210	34950-1220
VOID KEY	33482-6231																					
KEY A, BLACK	33482-6232	A-BLK	GCP	PLR	M-B									8		11			SALEABLE		34950-1210	34950-1220
KEY A, BLACK	33482-6233	A-BLK	GCP	PLR	M-B						2	3		5	6	7	8		SALEABLE		34950-1210	34950-1220
KEY A, BLACK	33482-6234	A-BLK	GCP	PLR	M-B									6	7				SALEABLE		34950-1210	34950-1220
KEY A, BLACK	33482-6235	A-BLK	GCP	PLR	M-B									6	7	8			SALEABLE		34950-	

**MX150 2X6 BLADE SEALED ASSY MAT SEAL
BOM AND PIN OUT SHEET**

ASSEMBLY DESCRIPTION	ASSEMBLY PART NUMBER	COMPONENT				BLOCKED TERMINALS												STATUS	COMMENTS	OPTIONAL ATTACHMENTS SOLD SEPERATELY		
		THE PRESENCE OF AN ABBREVIATION INDICATES THE PRESENCE OF THAT COMPONENT.				CAVITY WITH A NUMBER INDICATES BLOCKED TERMINAL POSITION CAVITY WITHOUT A NUMBER INDICATES OPEN TERMINAL POSITION														BACKSHELL WITH RIBS	BACKSHELL WITHOUT RIBS	
		HOUSING KEY/COLOR	GROMMET CAP	PLR	MAT SEAL	1	2	3	4	5	6	7	8	9	10	11	12					
KEY A, BLACK	33482-6239	A-BLK	GCP	PLR	M-B	1				5	6	7	8				SALEABLE		34950-1210	34950-1220		
KEY A, BLACK	33482-6240	A-BLK	GCP	PLR	M-B		2	3				8	9	10	11		SALEABLE		34950-1210	34950-1220		
KEY A, BLACK	33482-6241	A-BLK	GCP	PLR	M-B							7	8	9	10	11	SALEABLE		34950-1210	34950-1220		
KEY A, BLACK	33482-6242	A-BLK	GCP	PLR	M-B							7	8				SALEABLE		34950-1210	34950-1220		
KEY A, BLACK	33482-6243	A-BLK	GCP	PLR	M-B		2						9	10			SALEABLE		34950-1210	34950-1220		
KEY A, BLACK	33482-6244	A-BLK	GCP	PLR	M-B		2		4								SALEABLE		34950-1210	34950-1220		
KEY A, BLACK	33482-6245	A-BLK	GCP	PLR	M-B								9	10	11	12	SALEABLE		34950-1210	34950-1220		
KEY A, BLACK	33482-6246	A-BLK	GCP	PLR	M-B										11		SALEABLE		34950-1210	34950-1220		
KEY A, BLACK	33482-6247	A-BLK	GCP	PLR	M-B		2	3	4			7	8				SALEABLE		34950-1210	34950-1220		
KEY A, BLACK	33482-6248	A-BLK	GCP	PLR	M-B	1		3	4	5	6	7	8				SALEABLE		34950-1210	34950-1220		
KEY A, BLACK	33482-6249	A-BLK	GCP	PLR	M-B				4	5	6	7	8	9		10	11	12	SALEABLE		34950-1210	34950-1220
KEY A, BLACK	33482-6250	A-BLK	GCP	PLR	M-B												SALEABLE		34950-1210	34950-1220		
KEY A, BLACK	33482-6251	A-BLK	GCP	PLR	M-B		2		4	5			8		10	11	SALEABLE		34950-1210	34950-1220		
KEY A, BLACK	33482-6252	A-BLK	GCP	PLR	M-B							7					SALEABLE		34950-1210	34950-1220		
KEY A, BLACK	33482-6253	A-BLK	GCP	PLR	M-B		2	3	4	5	6	7	8		10	11	12	SALEABLE		34950-1210	34950-1220	
KEY A, BLACK	33482-6254	A-BLK	GCP	PLR	M-B		2	3	4	5					10	11	12	SALEABLE		34950-1210	34950-1220	
KEY A, BLACK	33482-6255	A-BLK	GCP	PLR	M-B		2	3	4	5	6	7			10	11	12	SALEABLE		34950-1210	34950-1220	
KEY A, BLACK	33482-6256	A-BLK	GCP	PLR	M-B	1					6	7		9			SALEABLE		34950-1210	34950-1220		
KEY A, BLACK	33482-6257	A-BLK	GCP	PLR	M-B									9	10		12	SALEABLE		34950-1210	34950-1220	
KEY A, BLACK	33482-6258	A-BLK	GCP	PLR	M-B		2	3								11		SALEABLE		34950-1210	34950-1220	
KEY A, BLACK	33482-6259	A-BLK	GCP	PLR	M-B	1	2	3	4	5				9	10	11	12	SALEABLE		34950-1210	34950-1220	
KEY A, BLACK	33482-6260	A-BLK	GCP	PLR	M-B											11	12	SALEABLE		34950-1210	34950-1220	
KEY C, DARK GRAY	33482-6261	C-DG	GCP	PLR	M-B													SALEABLE		34950-1210	34950-1220	
KEY D, STONE GRAY	33482-6262	D-SG	GCP	PLR	M-B													SALEABLE		34950-1210	34950-1220	
KEY C, DARK GRAY	33482-6263	C-DG	GCP	PLR	M-B	1	2	3	4	5	6	7	8	9	10	11	12	SALEABLE		34950-1210	34950-1220	
KEY D, STONE GRAY	33482-6264	D-SG	GCP	PLR	M-B	1	2	3	4	5	6	7	8	9	10	11	12	SALEABLE		34950-1210	34950-1220	
KEY A, BLACK	33482-6265	A-BLK	GCP	PLR	M-B						6	7	8	9	10	11		SALEABLE		34950-1210	34950-1220	
KEY A, BLACK	33482-6266	A-BLK	GCP	PLR	M-B	1	2	3	4	5	6	7					12	SALEABLE		34950-1210	34950-1220	
KEY A, BLACK	33482-6267	A-BLK	GCP	PLR	M-B			3	4	5	6	7						SALEABLE		34950-1210	34950-1220	
KEY A, BLACK	33482-6268	A-BLK	GCP	PLR	M-B			3	4	5	6	7	8	9	10	11		SALEABLE		34950-1210	34950-1220	
KEY A, BLACK	33482-6269	A-BLK	GCP	PLR	M-B	1	2	3	4	5			8	9	10	11	12	SALEABLE		34950-1210	34950-1220	
KEY A, BLACK	33482-6270	A-BLK	GCP	PLR	M-B		2		4			7	8	9	10			SALEABLE		34950-1210	34950-1220	
KEY A, BLACK	33482-6271	A-BLK	GCP	PLR	M-B		2					7	8	9				SALEABLE		34950-1210	34950-1220	
KEY A, BLACK	33482-6272	A-BLK	GCP	PLR	M-B		2					7	8	9	10			SALEABLE		34950-1210	34950-1220	
KEY A, BLACK	33482-6273	A-BLK	GCP	PLR	M-B								8					SALEABLE		34950-1210	34950-1220	
KEY A, BLACK	33482-6274	A-BLK	GCP	PLR	M-B	1		3	4	5	6		8		10	11	12	SALEABLE		34950-1210	34950-1220	
KEY A, BLACK	33482-6275	A-BLK	GCP	PLR	M-B				4				8		10			SALEABLE		34950-1210	34950-1220	
KEY A, BLACK	33482-6276	A-BLK	GCP	PLR	M-B	1	2	3	4		6		8		10	11	12	SALEABLE		34950-1210	34950-1220	
KEY A, BLACK	33482-6277	A-BLK	GCP	PLR	M-B	1	2	3								11	12	SALEABLE		34950-1210	34950-1220	
KEY A, BLACK	33482-6278	A-BLK	GCP	PLR	M-B						6						12	SALEABLE		34950-1210	34950-1220	
KEY A, BLACK	33482-6279	A-BLK	GCP	PLR	M-B	1	2	3	4	5		7	8	9	10	11		SALEABLE		34950-1210	34950-1220	
KEY A, BLACK	33482-6280	A-BLK	GCP	PLR	M-B	1	2	3	4	5	6			9				SALEABLE		34950-1210	34950-1220	
KEY A, BLACK	33482-6281	A-BLK	GCP	PLR	M-B		2		4		6		8		10	11		SALEABLE		34950-1210	34950-1220	
KEY A, BLACK	33482-6282	A-BLK	GCP	PLR	M-B	1	2	3	4	5	6			9	10	11	12	SALEABLE		34950-1210	34950-1220	
KEY A, BLACK	33482-6283	A-BLK	GCP	PLR	M-B						6			9	10	11	12	SALEABLE		34950-1210	34950-1220	
KEY A, BLACK	33482-6284	A-BLK	GCP	PLR	M-B	1		3	4	5	6	7	8		10	11	12	SALEABLE		34950-1210	34950-1220	
KEY D, STONE GRAY	33482-6285	D-SG	GCP	PLR	M-B	1					6	7						SALEABLE		34950-1210	34950-1220	
KEY A, BLACK	33482-6286	A-BLK	GCP	PLR	M-B		2	3					8	9				SALEABLE		34950-1210	34950-1220	
KEY A, BLACK	33482-6287	A-BLK	GCP	PLR	M-B	1						7						SALEABLE		34950-1210	34950-1220	
KEY A, BLACK	33482-6288	A-BLK	GCP	PLR	M-B	1					6							SALEABLE		34950-1210	34950-1220	
KEY A, BLACK	33482-6289	A-BLK	GCP	PLR	M-B	1	2	3	4	5	6		8					SALEABLE		34950-1210	34950-1220	
KEY A, BLACK	33482-6290	A-BLK	GCP	PLR	M-B	1						7						SALEABLE		34950-1210	34950-1220	
KEY A, BLACK	33482-6291	A-BLK	GCP	PLR	M-B	1	2	3	4	5	6	7	8					SALEABLE		34950-1210	34950-1220	
KEY A, BLACK	33482-6292	A-BLK	GCP	PLR	M-B									9				SALEABLE		34950-1210	34950-1220	
KEY A, BLACK	33482-6293	A-BLK	GCP	PLR	M-B			3	4					9	10	11	12	SALEABLE		34950-1210	34950-1220	
KEY A, BLACK	33482-6294	A-BLK	GCP	PLR	M-B	1	2			5	6	7	8					SALEABLE		34950-1210	34950-1220	
KEY A, BLACK	33482-6295	A-BLK	GCP	PLR	M-B	1	2			5	6	7	8			11	12	SALEABLE		34950-1210	34950-1220	
KEY A, BLACK	33482-6296	A-BLK	GCP	PLR	M-B	1	2	3	4	5	6	7	8	9	10			SALEABLE		34950-1210	34950-1220	
KEY A, BLACK	33482-6297	A-BLK	GCP	PLR	M-B				4		6				10	11	12	SALEABLE		34950-1210	34950-1220	
KEY A, BLACK	33482-6298	A-BLK	GCP	PLR	M-B					6						11	12	SALEABLE		34950-1210	34950-1220	
KEY A, BLACK	33482-6299	A-BLK	GCP	PLR	M-B	1	2					7	8					SALEABLE		34950-1210	34950-1220	
KEY A, BLACK	33482-6300	A-BLK	GCP	PLR	M-B	1	2	3					8			10	11	12	SALEABLE		34950-1210	34950-1220
KEY A, BLACK	33482-6301	A-BLK	GCP	PLR	M-B	1	2					7	8					SALEABLE		34950-1210	34950-1220	
KEY B, LIGHT GRAY	33482-6302	B-LG	GCP	PLR	M-B										10	11		SALEABLE		34950-1210	34950-1220	
KEY A, BLACK	33482-6303	A-BLK	GCP	PLR	M-B	1	2	3	4			7	8	9	10		12	SALEABLE		34950-1210	34950-1220	
KEY A, BLACK	33482-6304	A-BLK	GCP	PLR	M-B	1	2	3	4			7	8	9	10			SALEABLE		34950-1210	34950-1220	
KEY B, LIGHT GRAY	33482-6305	B-LG	GCP	PLR	M-B										10	11	12	SALEABLE		34950-1210	34950-1220	
KEY B, LIGHT GRAY	33482-6306	B-LG	GCP	PLR	M-B	1	2	3	4	5	6	7			10	11	12	SALEABLE		34950-1210	34950-1220	
KEY A, BLACK	33482-6307	A-BLK	GCP	PLR	M-B	1	2	3	4	5		7	8					SALEABLE		34950-1210	34950-1220	
KEY A, BLACK	33482-6308	A-BLK	GCP	PLR	M-B							7	8	9	10	11	12	SALEABLE		34950-1210	34950-1220	
KEY A, BLACK	33482-6309	A-BLK	GCP	PLR	M-B	1							8		10	11		SALEABLE		34950-1210	34950-1220	
KEY A, BLACK	33482-6310	A-BLK	GCP	PLR	M-B	1			4							11		SALEABLE		34950-1210	34950-1220	
KEY A, BLACK	33482-6311	A-BLK	GCP	PLR	M-B	1	2		4	5	6	7		9	10	11	12	SALEABLE		34950-1210	34950-1220	
KEY A, BLACK	33482-6312	A-BLK	GCP	PLR	M-B								8	9				SALEABLE		34950-1210	34950-1220	

MX150 2X6 BLADE SEALED ASSY MAT SEAL
BOM AND PIN OUT SHEET

Table with columns: ASSEMBLY DESCRIPTION, ASSEMBLY PART NUMBER, COMPONENT (HOUSING KEY/COLOR, GROMMET CAP, PLR, MAT SEAL), BLOCKED TERMINALS (1-12), STATUS, COMMENTS, and OPTIONAL ATTACHMENTS SOLD SEPERATELY (BACKSHELL WITH RIBS, BACKSHELL WITHOUT RIBS). Rows list various assembly parts and their configurations.

MX150 2X6 BLADE SEALED ASSY MAT SEAL
BOM AND PIN OUT SHEET

ASSEMBLY DESCRIPTION	ASSEMBLY PART NUMBER	COMPONENT				BLOCKED TERMINALS												STATUS	COMMENTS	OPTIONAL ATTACHMENTS SOLD SEPERATELY			
		THE PRESENCE OF AN ABBREVIATION INDICATES THE PRESENCE OF THAT COMPONENT.				CAVITY WITH A NUMBER INDICATES BLOCKED TERMINAL POSITION CAVITY WITHOUT A NUMBER INDICATES OPEN TERMINAL POSITION														BACKSHELL WITH RIBS	BACKSHELL WITHOUT RIBS		
		HOUSING KEY/COLOR	GROMMET CAP	PLR	MAT SEAL	1	2	3	4	5	6	7	8	9	10	11	12						
KEY A, BLACK	33482-6461	A-BLK	GCP	PLR	M-B		2				5	6	7	8		11		SALEABLE		34950-1210	34950-1220		
KEY A, BLACK	33482-6462	A-BLK	GCP	PLR	M-B		2	3			5	6	7	8	9		11		SALEABLE		34950-1210	34950-1220	
KEY A, BLACK	33482-6463	A-BLK	GCP	PLR	M-B	1	2		4	5	6	7				11	12	SALEABLE		34950-1210	34950-1220		
KEY A, BLACK	33482-6464	A-BLK	GCP	PLR	M-B	1	2		4	5	6	7	8		10	11	12	SALEABLE		34950-1210	34950-1220		
KEY A, BLACK	33482-6465	A-BLK	GCP	PLR	M-B	1	2	3	4	5	6	7				11	12	SALEABLE		34950-1210	34950-1220		
KEY A, BLACK	33482-6466	A-BLK	GCP	PLR	M-B												12	SALEABLE		34950-1210	34950-1220		
KEY A, BLACK	33482-6467	A-BLK	GCP	PLR	M-B		2	3	4									SALEABLE		34950-1210	34950-1220		
KEY A, BLACK	33482-6468	A-BLK	GCP	PLR	M-B				4	5			8		10	11	12	SALEABLE		34950-1210	34950-1220		
KEY A, BLACK	33482-6469	A-BLK	GCP	PLR	M-B	1								9	10			SALEABLE		34950-1210	34950-1220		
KEY A, BLACK	33482-6470	A-BLK	GCP	PLR	M-B							7	8	9			12	SALEABLE		34950-1210	34950-1220		
KEY C, DARK GRAY	33482-6471	C-DG	GCP	PLR	M-B			3	4				8					SALEABLE		34950-1210	34950-1220		
KEY A, BLACK	33482-6472	A-BLK	GCP	PLR	M-B	1	2					7	8	9	10	11	12	SALEABLE		34950-1210	34950-1220		
KEY A, BLACK	33482-6473	A-BLK	GCP	PLR	M-B					5	M-B	7	8	9		11		SALEABLE		34950-1210	34950-1220		
KEY A, BLACK	33482-6474	A-BLK	GCP	PLR	M-B	1	2					5				10	12	SALEABLE		34950-1210	34950-1220		
KEY A, BLACK	33482-6475	A-BLK	GCP	PLR	M-B							5						SALEABLE		34950-1210	34950-1220		
KEY A, BLACK	33482-6476	A-BLK	GCP	PLR	M-B			3	4	5								SALEABLE		34950-1210	34950-1220		
KEY A, BLACK	33482-6477	A-BLK	GCP	PLR	M-B	1	2			5				9	10	11	12	SALEABLE		34950-1210	34950-1220		
KEY A, BLACK	33482-6478	A-BLK	GCP	PLR	M-B					5				9		11		SALEABLE		34950-1210	34950-1220		
KEY A, BLACK	33482-6479	A-BLK	GCP	PLR	M-B	1							8			11		SALEABLE		34950-1210	34950-1220		
KEY A, BLACK	33482-6480	A-BLK	GCP	PLR	M-B	1			4	5	6	7						SALEABLE		34950-1210	34950-1220		
KEY A, BLACK	33482-6481	A-BLK	GCP	PLR	M-B	1			4	5	6	7	8			11		SALEABLE		34950-1210	34950-1220		
KEY A, BLACK	33482-6482	A-BLK	GCP	PLR	M-B	1	2	3	4	5	6	7	8			11		SALEABLE		34950-1210	34950-1220		
KEY B, LIGHT GRAY	33482-6483	B-LG	GCP	PLR	M-B	1					6	7			10	11	12	SALEABLE		34950-1210	34950-1220		
KEY B, LIGHT GRAY	33482-6484	B-LG	GCP	PLR	M-B	1					6	7	8	9	10	11	12	SALEABLE		34950-1210	34950-1220		
KEY B, LIGHT GRAY	33482-6485	B-LG	GCP	PLR	M-B	1				5	6	7	8	9	10	11	12	SALEABLE		34950-1210	34950-1220		
KEY A, BLACK	33482-6486	A-BLK	GCP	PLR	M-B	1	2					5		7	8	9	10	11	12	SALEABLE		34950-1210	34950-1220
KEY A, BLACK	33482-6487	A-BLK	GCP	PLR	M-B								7			11	12	SALEABLE		34950-1210	34950-1220		
KEY A, BLACK	33482-6488	A-BLK	GCP	PLR	M-B	1	2	3	4	5	6	7	8			11	12	SALEABLE		34950-1210	34950-1220		
KEY A, BLACK	33482-6489	A-BLK	GCP	PLR	M-B			3					7	8		11	12	SALEABLE		34950-1210	34950-1220		
KEY A, BLACK	33482-6490	A-BLK	GCP	PLR	M-B	1	2	3	4							11	12	SALEABLE		34950-1210	34950-1220		
KEY A, BLACK	33482-6491	A-BLK	GCP	PLR	M-B	1		3		5		7		9				SALEABLE		34950-1210	34950-1220		
KEY A, BLACK	33482-6492	A-BLK	GCP	PLR	M-B		2				6	7	8					SALEABLE		34950-1210	34950-1220		
KEY A, BLACK	33482-6493	A-BLK	GCP	PLR	M-B					5			7	8	9	10	11	12	SALEABLE		34950-1210	34950-1220	
KEY A, BLACK	33482-6494	A-BLK	GCP	PLR	M-B					5	M-B			9	10	11		SALEABLE		34950-1210	34950-1220		
KEY A, BLACK	33482-6495	A-BLK	GCP	PLR	M-B	1	2	3	4	5	6		8	9	10	11		SALEABLE		34950-1210	34950-1220		
KEY A, BLACK	33482-6496	A-BLK	GCP	PLR	M-B	1	2	3	4		6	7	8	9			12	SALEABLE		34950-1210	34950-1220		
KEY A, BLACK	33482-6497	A-BLK	GCP	PLR	M-B							7		9			12	SALEABLE		34950-1210	34950-1220		
KEY A, BLACK	33482-6498	A-BLK	GCP	PLR	M-B	1	2		4	5	6	7	8	9			12	SALEABLE		34950-1210	34950-1220		
KEY A, BLACK	33482-6499	A-BLK	GCP	PLR	M-B			3						9	10	11		SALEABLE		34950-1210	34950-1220		
KEY A, BLACK	33482-6500	A-BLK	GCP	PLR	M-B		2					7			10			SALEABLE		34950-1210	34950-1220		
KEY A, BLACK	33482-6501	A-BLK	GCP	PLR	M-B				4				7					SALEABLE		34950-1210	34950-1220		
KEY A, BLACK	33482-6502	A-BLK	GCP	PLR	M-B				4		6	7						SALEABLE		34950-1210	34950-1220		
KEY A, BLACK	33482-6503	A-BLK	GCP	PLR	M-B						6	7	8					SALEABLE		34950-1210	34950-1220		
KEY A, BLACK	33482-6504	A-BLK	GCP	PLR	M-B		2	3	4	5	6		8	9	10	11	12	SALEABLE		34950-1210	34950-1220		
KEY B, LIGHT GRAY	33482-6505	B-LG	GCP	PLR	M-B					5			8	9	10	11	12	SALEABLE		34950-1210	34950-1220		
KEY A, BLACK	33482-6506	A-BLK	GCP	PLR	M-B								8	9			12	SALEABLE		34950-1210	34950-1220		
KEY A, BLACK	33482-6507	A-BLK	GCP	PLR	M-B	1	2		4	5	6		8					SALEABLE		34950-1210	34950-1220		
KEY A, YELLOW	33482-6508	A-YL	GCP	PLR	M-B			3				6	7	8	9	10	11	12	SALEABLE		34950-1210	34950-1220	
KEY A, BLACK	33482-6509	A-BLK	GCP	PLR	M-B				4	5			7	8			11	12	SALEABLE		34950-1210	34950-1220	
KEY A, BLACK	33482-6510	A-BLK	GCP	PLR	M-B							7	8			11	12	SALEABLE		34950-1210	34950-1220		
KEY A, BLACK	33482-6511	A-BLK	GCP	PLR	M-B								8			11	12	SALEABLE		34950-1210	34950-1220		
KEY B, LIGHT GRAY	33482-6512	B-LG	GCP	PLR	M-B	1		3		5	6	7			10	11	12	SALEABLE		34950-1210	34950-1220		
KEY A, BLACK	33482-6513	A-BLK	GCP	PLR	M-B	1		3						9			12	SALEABLE		34950-1210	34950-1220		
KEY A, BLACK	33482-6514	A-BLK	GCP	PLR	M-B	1	2		4	5	6	7	8					SALEABLE		34950-1210	34950-1220		
KEY B, LIGHT GRAY	33482-6515	B-LG	GCP	PLR	M-B								8					SALEABLE		34950-1210	34950-1220		
KEY B, LIGHT GRAY	33482-6516	B-LG	GCP	PLR	M-B											11		SALEABLE		34950-1210	34950-1220		
KEY B, LIGHT GRAY	33482-6517	B-LG	GCP	PLR	M-B		2	3	4	5			7	8	9		11	SALEABLE		34950-1210	34950-1220		
KEY B, LIGHT GRAY	33482-6518	B-LG	GCP	PLR	M-B								7				12	SALEABLE		34950-1210	34950-1220		
KEY B, LIGHT GRAY	33482-6519	B-LG	GCP	PLR	M-B	1	2	3					7	8	9			SALEABLE		34950-1210	34950-1220		
KEY B, LIGHT GRAY	33482-6520	B-LG	GCP	PLR	M-B	1	2	3	4	5			7			11	12	SALEABLE		34950-1210	34950-1220		

MX150 2X8 BLADE SEALED ASSY MAT SEAL
BOM AND PIN OUT SHEET

ASSEMBLY DESCRIPTION	ASSEMBLY PART NUMBER	COMPONENT				BLOCKED TERMINALS																STATUS	COMMENTS	OPTIONAL ATTACHMENTS SOLD SEPERATELY						
		THE PRESENCE OF AN ABBREVIATION INDICATES THE PRESENCE OF THAT COMPONENT.				CAVITY WITH A NUMBER INDICATES BLOCKED TERMINAL POSITION CAVITY WITHOUT A NUMBER INDICATES OPEN TERMINAL POSITION																		BACKSHELL WITH RIBS	BACKSHELL WITHOUT RIBS	90° ADAPTOR WITH RIBS	90° ADAPTOR WITHOUT RIBS			
		HOUSING KEY/COLOR	GROMMET CAP	PLR	MAT SEAL	1	2	3	4	5	6	7	8	9	10	11	12	13	14	15	16									
KEY A, BLACK	33482-1765	A-BLK	GCP	PLR	M-R				2			5		7			9			12	13	14		16	PLANNED OBSOLESCE	SEE 33482-8765	34950-1611	34950-1621	34951-1631	34951-1641

MX150 2X8 BLADE SEALED ASSY MAT SEAL
BOM AND PIN OUT SHEET

ASSEMBLY DESCRIPTION	ASSEMBLY PART NUMBER	COMPONENT				BLOCKED TERMINALS																STATUS	COMMENTS	OPTIONAL ATTACHMENTS SOLD SEPARATELY				
		THE PRESENCE OF AN ABBREVIATION INDICATES THE PRESENCE OF THAT COMPONENT.				CAVITY WITH A NUMBER INDICATES BLOCKED TERMINAL POSITION CAVITY WITHOUT A NUMBER INDICATES OPEN TERMINAL POSITION																		BACKSHELL WITH RIBS	BACKSHELL WITHOUT RIBS	90° ADAPTOR WITH RIBS	90° ADAPTOR WITHOUT RIBS	
		HOUSING KEY/COLOR	GROMMET CAP	PLR	MAT SEAL	1	2	3	4	5	6	7	8	9	10	11	12	13	14	15	16							
KEY A, BLACK	33482-8736	A-BLK	GCP	PLR	M-B	1	2	3	4	5	6						13	14					SALEABLE		34950-1611	34950-1621	34951-1631	34951-1641
KEY A, BLACK	33482-8737	A-BLK	GCP	PLR	M-B	1	2	3	4	5	6								13	14			SALEABLE		34950-1611	34950-1621	34951-1631	34951-1641
KEY A, BLACK	33482-8738	A-BLK	GCP	PLR	M-B	1	2						7	8									SALEABLE		34950-1611	34950-1621	34951-1631	34951-1641
KEY A, BLACK	33482-8739	A-BLK	GCP	PLR	M-B			3	4														SALEABLE		34950-1611	34950-1621	34951-1631	34951-1641
KEY A, BLACK	33482-8740	A-BLK	GCP	PLR	M-B								9								15	16	SALEABLE		34950-1611	34950-1621	34951-1631	34951-1641
KEY A, BLACK	33482-8741	A-BLK	GCP	PLR	M-B				3	4			9	10	11	12	13	14	15	16			SALEABLE		34950-1611	34950-1621	34951-1631	34951-1641
KEY A, BLACK	33482-8742	A-BLK	GCP	PLR	M-B										11	12	13	14					SALEABLE		34950-1611	34950-1621	34951-1631	34951-1641
KEY A, BLACK	33482-8743	A-BLK	GCP	PLR	M-B										11								SALEABLE		34950-1611	34950-1621	34951-1631	34951-1641
KEY A, BLACK	33482-8744	A-BLK	GCP	PLR	M-B		2						7	9	11	12	13	14			16		SALEABLE		34950-1611	34950-1621	34951-1631	34951-1641
KEY A, BLACK	33482-8745	A-BLK	GCP	PLR	M-B		2							9									SALEABLE		34950-1611	34950-1621	34951-1631	34951-1641
KEY A, BLACK	33482-8746	A-BLK	GCP	PLR	M-B		2							9									SALEABLE		34950-1611	34950-1621	34951-1631	34951-1641
KEY A, BLACK	33482-8747	A-BLK	GCP	PLR	M-B											12	13	14			16		SALEABLE		34950-1611	34950-1621	34951-1631	34951-1641
KEY A, BLACK	33482-8748	A-BLK	GCP	PLR	M-B			2						9							16		SALEABLE		34950-1611	34950-1621	34951-1631	34951-1641
KEY A, BLACK	33482-8749	A-BLK	GCP	PLR	M-B	1								10	11	12	13	14			16		SALEABLE		34950-1611	34950-1621	34951-1631	34951-1641
KEY A, BLACK	33482-8750	A-BLK	GCP	PLR	M-B	1	2							9	10	11	12	13	14		16		SALEABLE		34950-1611	34950-1621	34951-1631	34951-1641
KEY C, DARK GRAY	33482-8751	C-DG	GCP	PLR	M-B								8										SALEABLE		34950-1611	34950-1621	34951-1631	34951-1641
KEY D, STONE GRAY	33482-8752	D-SG	GCP	PLR	M-B								8										SALEABLE		34950-1611	34950-1621	34951-1631	34951-1641
KEY C, DARK GRAY	33482-8753	C-DG	GCP	PLR	M-B								8	9									SALEABLE		34950-1611	34950-1621	34951-1631	34951-1641
KEY D, STONE GRAY	33482-8754	D-SG	GCP	PLR	M-B								8	9									SALEABLE		34950-1611	34950-1621	34951-1631	34951-1641
KEY C, DARK GRAY	33482-8755	C-DG	GCP	PLR	M-B	1							8	9									SALEABLE		34950-1611	34950-1621	34951-1631	34951-1641
KEY D, STONE GRAY	33482-8756	D-SG	GCP	PLR	M-B	1							8	9									SALEABLE		34950-1611	34950-1621	34951-1631	34951-1641
KEY C, DARK GRAY	33482-8757	C-DG	GCP	PLR	M-B	1							8	9							16		SALEABLE		34950-1611	34950-1621	34951-1631	34951-1641
KEY D, STONE GRAY	33482-8758	D-SG	GCP	PLR	M-B	1							8	9							16		SALEABLE		34950-1611	34950-1621	34951-1631	34951-1641
KEY A, BLACK	33482-8759	A-BLK	GCP	PLR	M-B	1	2	3	4	5				9	10	11	12	13	14		16		SALEABLE		34950-1611	34950-1621	34951-1631	34951-1641
KEY A, BLACK	33482-8760	A-BLK	GCP	PLR	M-B		2							9								16	SALEABLE		34950-1611	34950-1621	34951-1631	34951-1641
KEY A, BLACK	33482-8761	A-BLK	GCP	PLR	M-B		2							9								16	SALEABLE		34950-1611	34950-1621	34951-1631	34951-1641
KEY A, BLACK	33482-8762	A-BLK	GCP	PLR	M-B	1	2							9	10	11	12	13	14		16		SALEABLE		34950-1611	34950-1621	34951-1631	34951-1641
KEY A, BLACK	33482-8763	A-BLK	GCP	PLR	M-B											7						16	SALEABLE		34950-1611	34950-1621	34951-1631	34951-1641
KEY A, BLACK	33482-8764	A-BLK	GCP	PLR	M-B						5	6	7		9							16	SALEABLE		34950-1611	34950-1621	34951-1631	34951-1641
KEY A, BLACK	33482-8765	A-BLK	GCP	PLR	M-B						5		7		9							16	SALEABLE		34950-1611	34950-1621	34951-1631	34951-1641
KEY A, BLACK	33482-8766	A-BLK	GCP	PLR	M-B						5	6	7		9	10	11	12	13	14		16	SALEABLE		34950-1611	34950-1621	34951-1631	34951-1641
KEY A, BLACK	33482-8767	A-BLK	GCP	PLR	M-B						5	6	7		9							16	SALEABLE		34950-1611	34950-1621	34951-1631	34951-1641
KEY A, BLACK	33482-8768	A-BLK	GCP	PLR	M-B						5	6	7		9	10						16	SALEABLE		34950-1611	34950-1621	34951-1631	34951-1641
KEY A, BLACK	33482-8769	A-BLK	GCP	PLR	M-B	1			4	5	6			8							16		SALEABLE		34950-1611	34950-1621	34951-1631	34951-1641
KEY A, BLACK	33482-8770	A-BLK	GCP	PLR	M-B	1	2		4	5	6			8	9	10						16	SALEABLE		34950-1611	34950-1621	34951-1631	34951-1641
KEY A, BLACK	33482-8771	A-BLK	GCP	PLR	M-B	1			4	5	6	7		8								15	SALEABLE		34950-1611	34950-1621	34951-1631	34951-1641
KEY A, BLACK	33482-8772	A-BLK	GCP	PLR	M-B											10						16	SALEABLE		34950-1611	34950-1621	34951-1631	34951-1641
KEY A, BLACK	33482-8773	A-BLK	GCP	PLR	M-B	1	2	3	4	5	6					11	12					16	SALEABLE		34950-1611	34950-1621	34951-1631	34951-1641
KEY A, BLACK	33482-8774	A-BLK	GCP	PLR	M-B																	15	SALEABLE		34950-1611	34950-1621	34951-1631	34951-1641
KEY A, BLACK	33482-8775	A-BLK	GCP	PLR	M-B									9	10							16	SALEABLE		34950-1611	34950-1621	34951-1631	34951-1641
KEY A, BLACK	33482-8776	A-BLK	GCP	PLR	M-B				3	4				9	10							16	SALEABLE		34950-1611	34950-1621	34951-1631	34951-1641
KEY A, YELLOW	33482-8777	A-YW	GCP	PLR	M-B																	16	SALEABLE		34950-1611	34950-1621	34951-1631	34951-1641
KEY A, BLACK	33482-8778	A-BLK	GCP	PLR	M-B						5											16	SALEABLE		34950-1611	34950-1621	34951-1631	34951-1641
KEY A, BLACK	33482-8779	A-BLK	GCP	PLR	M-B						5	6	7		8	9	10	11	12			16	SALEABLE		34950-1611	34950-1621	34951-1631	34951-1641
KEY A, BLACK	33482-8780	A-BLK	GCP	PLR	M-B				3	4	5	6										16	SALEABLE		34950-1611	34950-1621	34951-1631	34951-1641
KEY A, BLACK	33482-8781	A-BLK	GCP	PLR	M-B	1			4	5	6	7		8	9	10						15	SALEABLE		34950-1611	34950-1621	34951-1631	34951-1641
KEY A, BLACK	33482-8782	A-BLK	GCP	PLR	M-B	1			4	5	6	7		8	9	10						15	SALEABLE		34950-1611	34950-1621	34951-1631	34951-1641
KEY A, BLACK	33482-8783	A-BLK	GCP	PLR	M-B																	15	SALEABLE		34950-1611	34950-1621	34951-1631	34951-1641
KEY A, BLACK	33482-8784	A-BLK	GCP	PLR	M-B				3													15	SALEABLE		34950-1611	34950-1621	34951-1631	34951-1641
KEY A, BLACK	33482-8785	A-BLK	GCP	PLR	M-B	1					5		7									16	SALEABLE		34950-1611	34950-1621	34951-1631	34951-1641
KEY A, BLACK	33482-8786	A-BLK	GCP	PLR	M-B				2		5		7		9							16	SALEABLE		34950-1611	34950-1621	34951-1631	34951-1641
KEY A, BLACK	33482-8787	A-BLK	GCP	PLR	M-B	1	2				5				9							16	SALEABLE		34950-1611	34950-1621	34951-1631	34951-1641
KEY A, BLACK	33482-8788	A-BLK	GCP	PLR	M-B	1	2							9								16	SALEABLE		34950-1611	34950-1621	34951-1631	34951-1641
KEY A, BLACK	33482-8789	A-BLK	GCP	PLR	M-B	1	2				5																	

MX150 2X8 BLADE SEALED ASSY MAT SEAL
BOM AND PIN OUT SHEET

Table with columns: ASSEMBLY DESCRIPTION, ASSEMBLY PART NUMBER, COMPONENT (HOUSING KEY/COLOR, GROMMET CAP, PLR, MAT SEAL), BLOCKED TERMINALS (1-16), STATUS, COMMENTS, and OPTIONAL ATTACHMENTS SOLD SEPARATELY (BACKSHELL WITH RIBS, BACKSHELL WITHOUT RIBS, 90° ADAPTOR WITH RIBS, 90° ADAPTOR WITHOUT RIBS).

**MX150 2X8 BLADE SEALED ASSY MAT SEAL
BOM AND PIN OUT SHEET**

ASSEMBLY DESCRIPTION	ASSEMBLY PART NUMBER	COMPONENT				BLOCKED TERMINALS																STATUS	COMMENTS	OPTIONAL ATTACHMENTS SOLD SEPERATELY			
		THE PRESENCE OF AN ABBREVIATION INDICATES THE PRESENCE OF THAT COMPONENT.				CAVITY WITH A NUMBER INDICATES BLOCKED TERMINAL POSITION CAVITY WITHOUT A NUMBER INDICATES OPEN TERMINAL POSITION																		BACKSHELL WITH RIBS	BACKSHELL WITHOUT RIBS	90° ADAPTOR WITH RIBS	90° ADAPTOR WITHOUT RIBS
		HOUSING KEY/COLOR	GROMMET CAP	PLR	MAT SEAL	1	2	3	4	5	6	7	8	9	10	11	12	13	14	15	16						
KEY A, BLACK	33482-8920	A-BLK	GCP	PLR	M-B				4			7	8		10		12			15	16	SALEABLE		34950-1611	34950-1621	34951-1631	34951-1641
KEY A, BLACK	33482-8921	A-BLK	GCP	PLR	M-B				4			7	8	9		12						SALEABLE		34950-1611	34950-1621	34951-1631	34951-1641
KEY A, BLACK	33482-8922	A-BLK	GCP	PLR	M-B					6	7	8			10	11	12			15	16	SALEABLE		34950-1611	34950-1621	34951-1631	34951-1641

TABLE OF CONTENTS	
SHEET NO.	SHEET DESCRIPTION
1	NOTES AND BOM
2	CONFIGURATIONS
3	SCHLEMMER BACKSHELL DETAIL
4	MOLEX BACKSHELL DETAIL

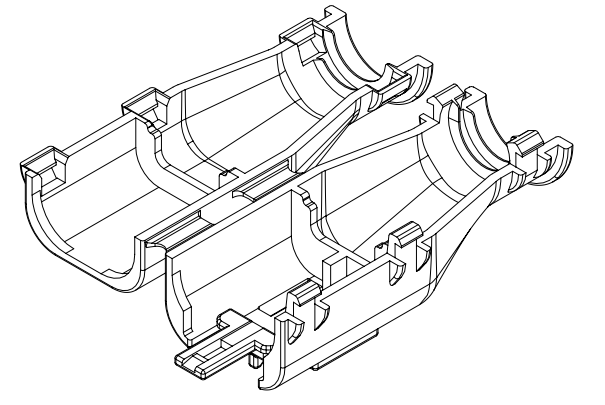
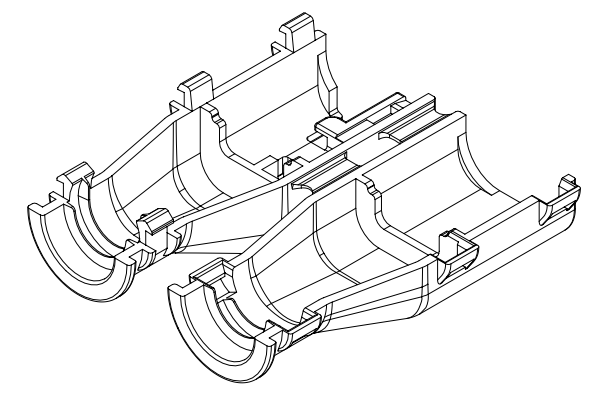
BACKSHELL NOTES: VALID UNLESS OTHERWISE SPECIFIED

1. GENERAL:
 - a. APPLICATION SPECIFICATION SEE: AS-34951-001
 - DESIGNED TO MATE WITH BLADE SEALED ASSEMBLY AS SPECIFIED IN SD-33482-0001.
 - COMPONENTS ARE OPTIONAL AND MUST BE PURCHASED SEPERATELY
 - b. MOLEX PRODUCT SPECIFICATION SEE: TBD
 - BACKSHELL DESIGN IS OWNED BY MOLEX.
 - c. OUTSOURCED MFG PRODUCT SPECIFICATION
 - BACKSHELL DESIGN IS OWNED BY SCHLEMMER.
 - THESE PRODUCTS ARE ONE TIME USE ONLY.
 - REMOVAL FORCE OF THE BACKSHELL FROM THE MOLEX CONNECTOR TO BE 100N MIN.
 - REMOVAL FORCE OF SLIT CONVOLUTE FROM THE WITH RIB OPTION BACKSHELLS TO BE 100N MIN.
 - REMOVAL FORCE OF UNSLIT CONVOLUTE FROM THE WITH RIB OPTION BACKSHELLS TO BE 100N MIN.
 - d. PACKAGING SPECIFICATION: SEE BOM
 - e. PARTS MUST BE IN COMPLIANCE TO MOLEX CHEMICAL SUBSTANCES FOR PRODUCTS AND PACKAGING SPECIFICATION: QEHS-699000-300
 - f. DATA MUST BE SUBMITTED UNDER THE MOLEX PART NUMBER TO IMDS (COMPANY ID#13255)
 - g. FOLLOWING PRODUCTION CODES TO BE PRESENT
 - DATE CODE
 - MOLD CAVITY CODE
 - MOLEX LOGO
 - RECYCLE CODE
 - SUPPLIER PART NUMBER - SCHLEMMER PARTS ONLY

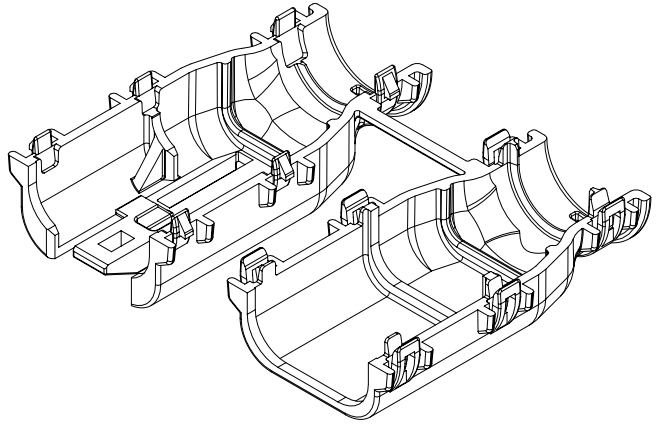
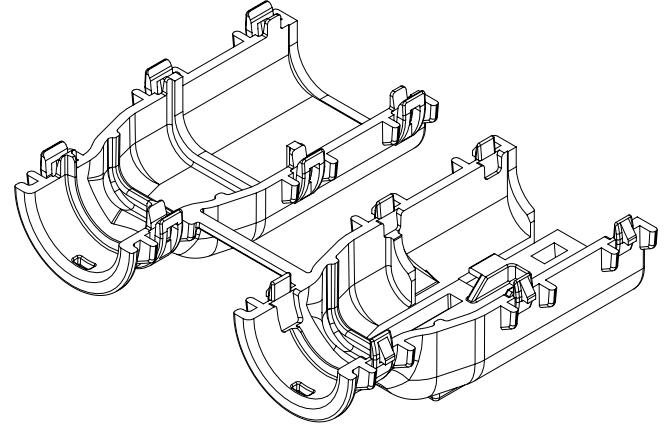
2. DESIGN - MATERIALS:
 - a. PA66 0% GLASS FILLED
 - b. BLACK

3. DESIGN GEOMETRY:
 - a. THIS IS A 100% CAD GENERATED PART. THE CAD MATHEMATICAL DATA IS THE MASTER FOR THIS PART. FOR DIMENSIONAL OR ANY INFORMATION NOT SHOWN ON THIS DRAWING, ANALYZE THE CAD MODEL.
 - b. GEOMETRIC DIMENSIONS AND TOLERANCES PER ASME Y14.5M - 2009.
 - c. CORNERS SHOWN AS SHARP TO BE R 0.1.
 - d. VISUAL DEFECTS SHALL MEET COSMETEIC STANDARD PS-45499-002 (CLASS C).
 - e. ALLOWABLE FLASH, PARTING LINES MISMATCH, EJECTOR PINS MARK, AND GATE VESTIGE TO BE +0.30 MAX PROTUSION.

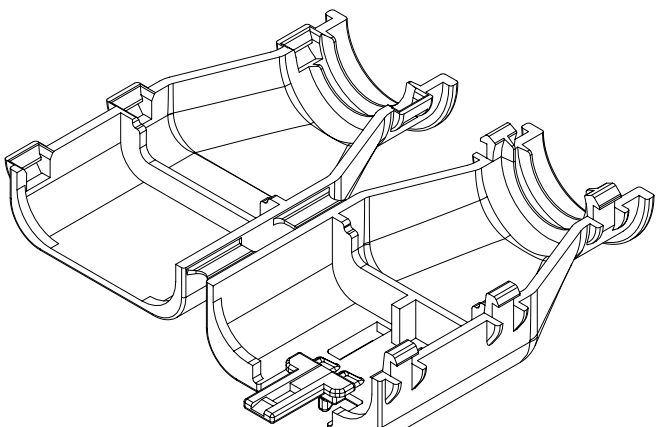
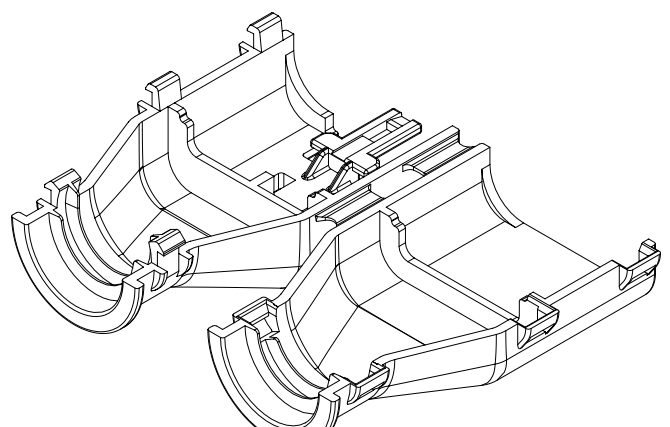
BILL OF MATERIALS (BOM)								
DESCRIPTION	PART NUMBER	CIRCUIT SIZE	COLOR	RIBS	CONVOLUTE SIZE	PACKAGING DRAWING NUMBER	STATUS	MANUFACTURER
2X3, WITH RIB	34950-0610	2X3	BLACK	YES	9 mm DELPHI	PK-31302-118	SALEABLE	OUTSOURCED MFG
2X3, WITHOUT RIB	34950-0620	2X3	BLACK	NO	9 mm DELPHI	PK-31302-118	SALEABLE	OUTSOURCED MFG
2X4, WITH RIB	34950-0811	2X4	BLACK	YES	NW 12 SCHLEMMER	349509000 PDD	SALEABLE	MOLEX
2X4, WITHOUT RIB	34950-0821	2X4	BLACK	NO	NW 12 SCHLEMMER	349509000 PDD	SALEABLE	MOLEX
2X6, WITH RIB	34950-1210	2X6	BLACK	YES	13 mm DELPHI	PK-31302-118	SALEABLE	OUTSOURCED MFG
2X6, WITHOUT RIB	34950-1220	2X6	BLACK	NO	13 mm DELPHI	PK-31302-118	SALEABLE	OUTSOURCED MFG
2X8, WITH RIB	34950-1611	2X8	BLACK	YES	NW 16 SCHLEMMER	349509000 PDD	SALEABLE	MOLEX
2X8, WITHOUT RIB	34950-1621	2X8	BLACK	NO	NW 16 SCHLEMMER	349509000 PDD	SALEABLE	MOLEX
2X10, WITH RIB	34950-2011	2X10	BLACK	YES	NW 16 SCHLEMMER	349509000 PDD	SALEABLE	MOLEX
2X10, WITHOUT RIB	34950-2021	2X10	BLACK	NO	NW 16 SCHLEMMER	349509000 PDD	SALEABLE	MOLEX



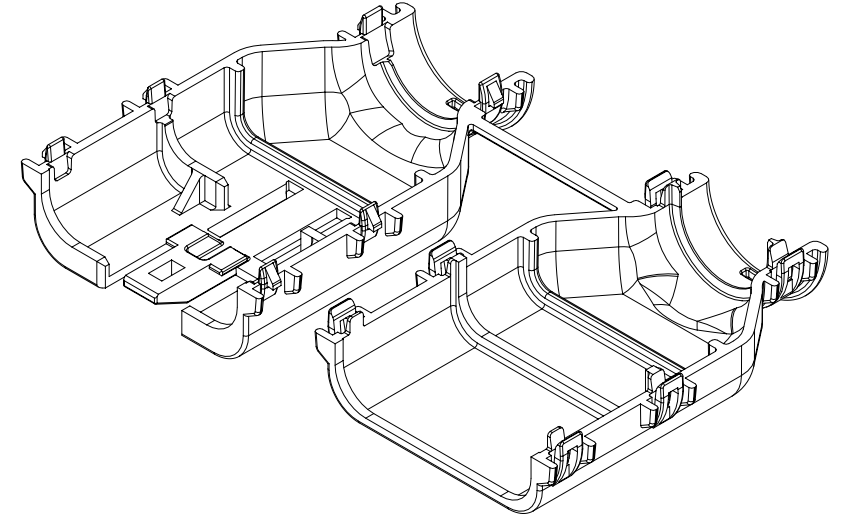
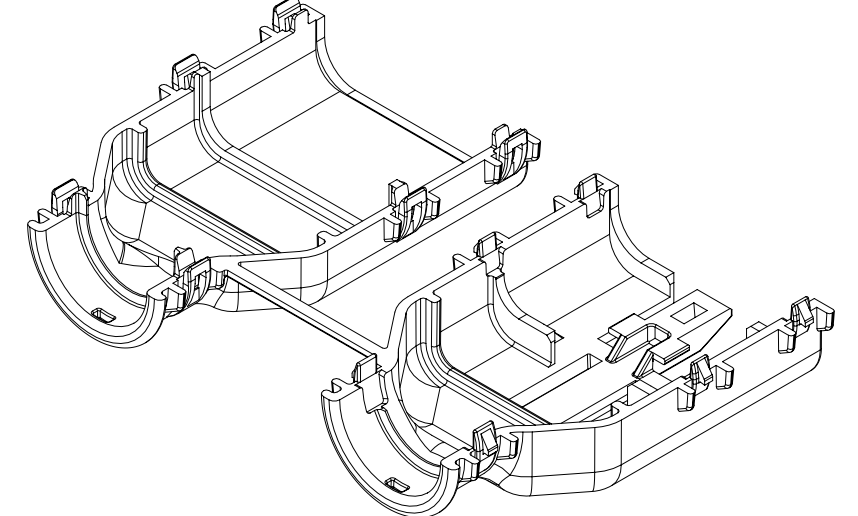
2X3 BLADE



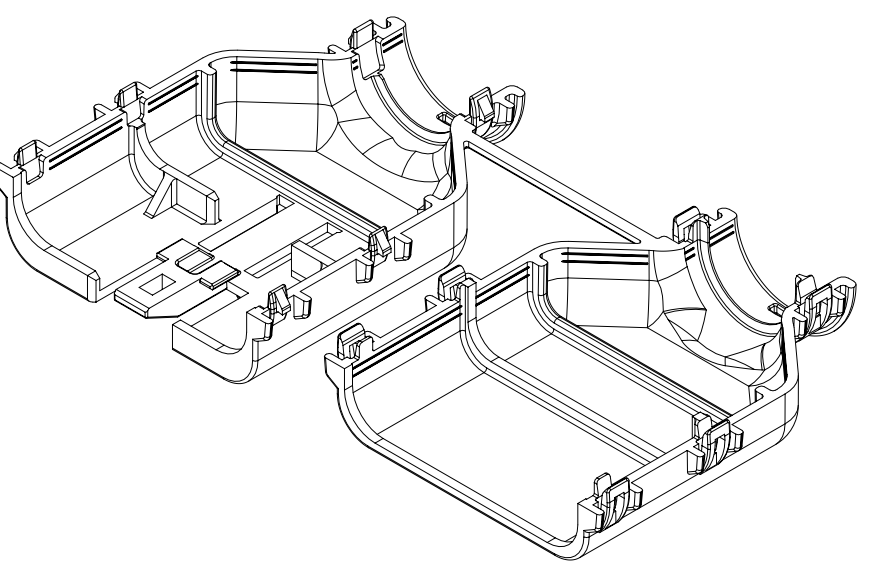
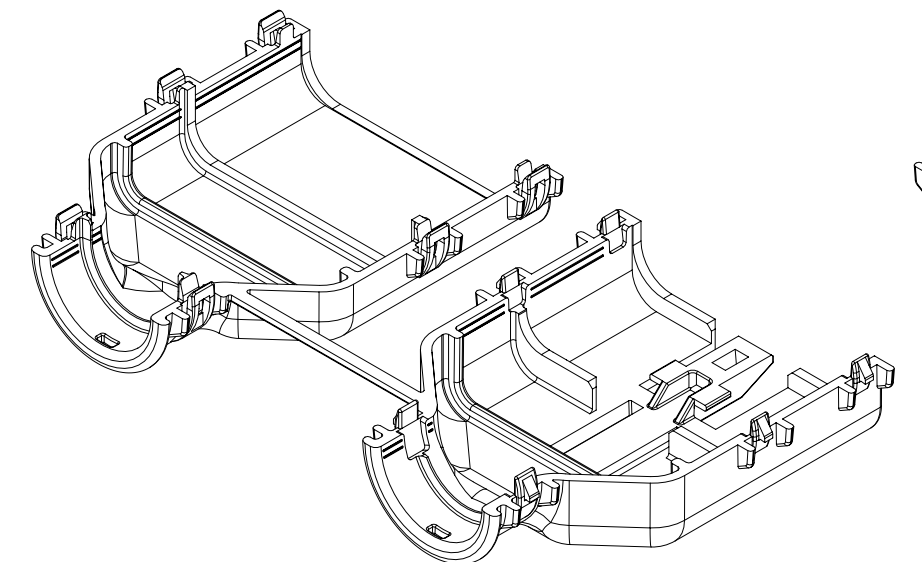
2X4 BLADE



2X6 BLADE



2X8 BLADE



2X10 BLADE

B11	CHANGED DIMS ON SHEET 3 TO MATCH E DWG
B10	UPDATED BACKSHELL MANUFACTURER
B9	CHANGED PARTS STATUS TO SALEABLE
B8	ADDED BALLOON NO. 99
B7	UPDATED BALLOON NUMBERS
B6	UPDATED RIB AND WEDGE FEATURES
B4	UPDATED DIM 26 28 30 32
B3	UPDATED TOLERANCES
B2	ADDED BALLOONS & UPDATED BOM
B1	UPDATED NOTES
B	MIGRATION & ADDED MOLEX PART NUMBERS
A6	UPDATED BILL OF MATERIALS
A5	UPDATED STATUS COLUMN
A4	MINOR NOMENCLATURE CLEAN UP
A3	UPDATED VIEWSET & NOTES
A2	UPDATED REFERENCE DRAWINGS
A1	UPDATED NOTES
A	INITIAL RELEASE
REV	DESCRIPTION

INSPECTION NUMBER LOG	
LAST NUMBER:	1 - 5
ADDED:	26 28 30 32 34 35
	36 48 98 99
REMOVED:	26 30

QUALITY SYMBOLS FA = 0 FE = 0 FE = 0 ▼ = 0 C = 0 ☒ = 0 ■ = 0 ∇ = 0	THIS DRAWING CONTAINS INFORMATION THAT IS PROPRIETARY TO MOLEX ELECTRONIC TECHNOLOGIES, LLC AND SHOULD NOT BE USED WITHOUT WRITTEN PERMISSION				
	EC NO: 638031 DRWN: PPALLAN CHKD: MVANSLAMBROU APPR: MVANSLAMBROU	2020/05/20 2020/05/22 2020/05/22	GENERAL TOLERANCES (UNLESS SPECIFIED) DIMENSION UNITS: mm SCALE: 1:1 DRWN BY: DAHALL DATE: 2013/03/19 CHKD BY: [blank] DATE: [blank]	ANGULAR TOL ± 3.0 ° 4 PLACES ± 3 PLACES ± 2 PLACES ± 0.1 1 PLACE ± 0.2 0 PLACES ±	
B11	DRAFT WHERE APPLICABLE MUST REMAIN WITHIN DIMENSIONS	DIMENSION UNITS: A1 THIRD ANGLE PROJECTION	SERIES: 34950 MATERIAL NUMBER: SD-34950-0001 DOCUMENT NUMBER: PSD	CUSTOMER: GENERAL MARKET DOC PART: 001 SHEET NUMBER: 1 OF 4	CUSTOMER:

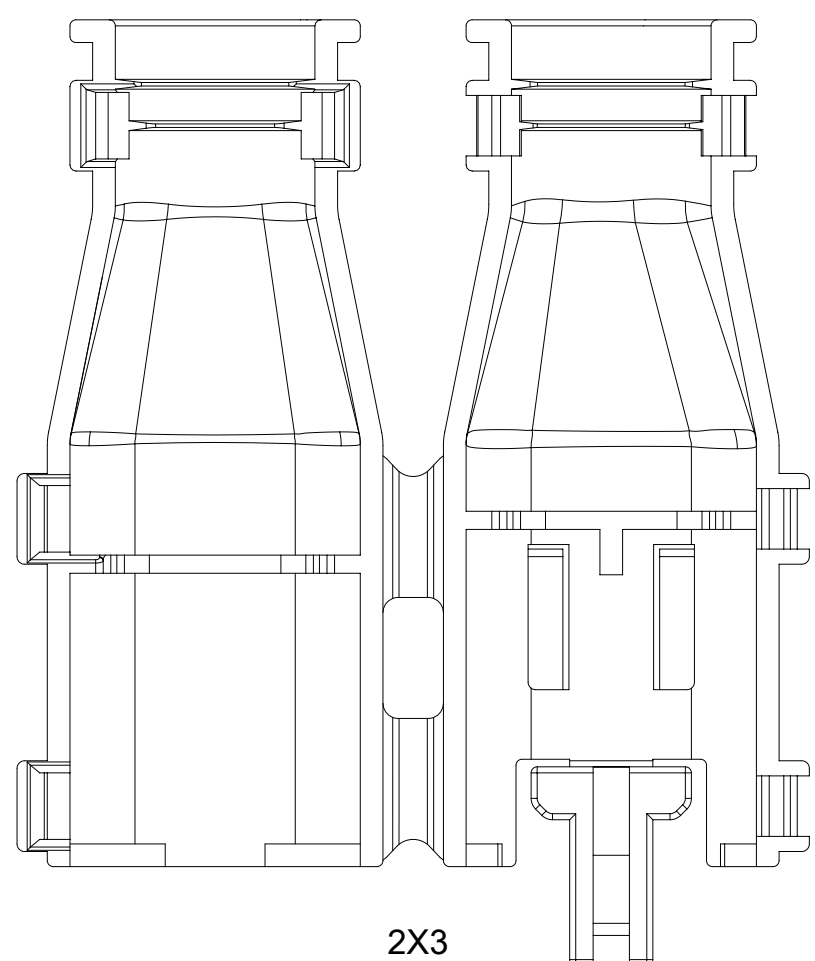
SHEET DESCRIPTION
CONFIGURATIONS

WITH RIB

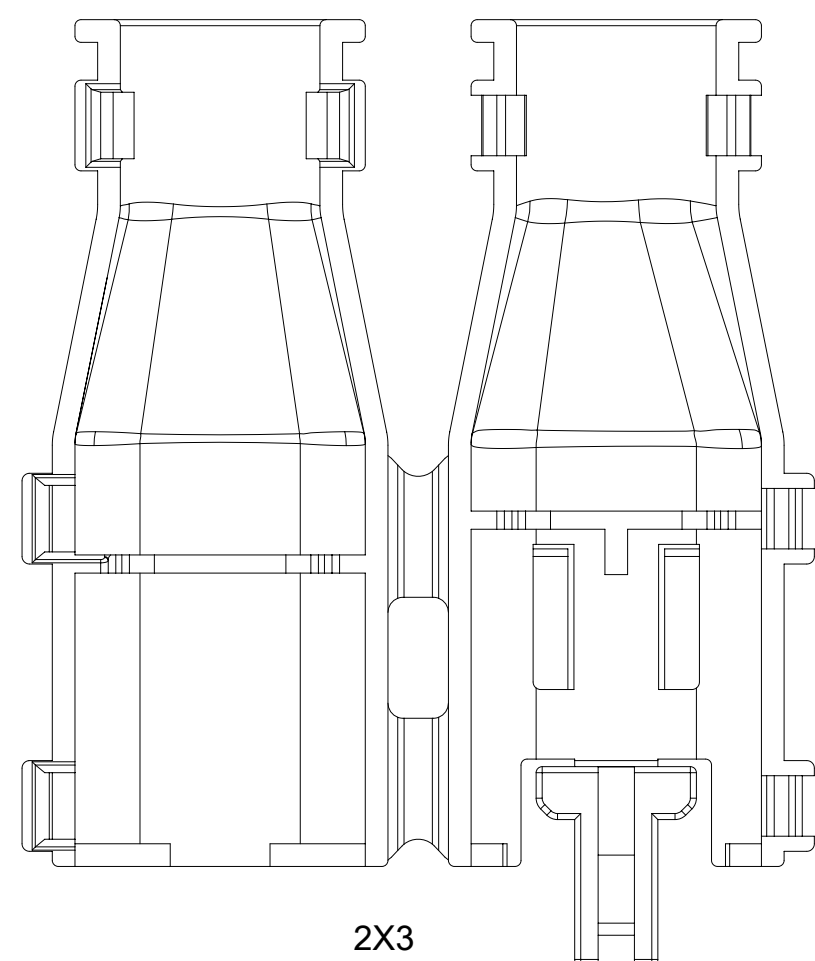
WITHOUT RIB

WITH RIB

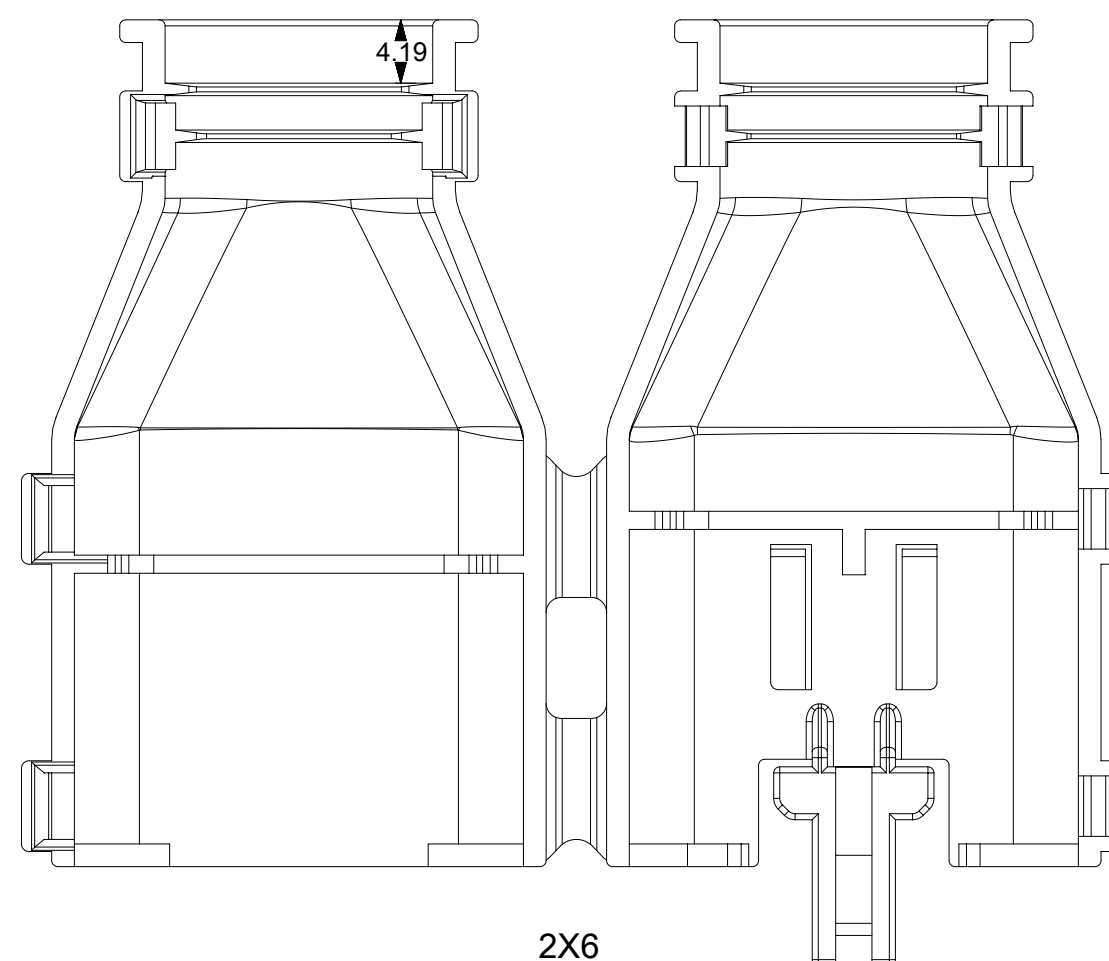
WITHOUT RIB



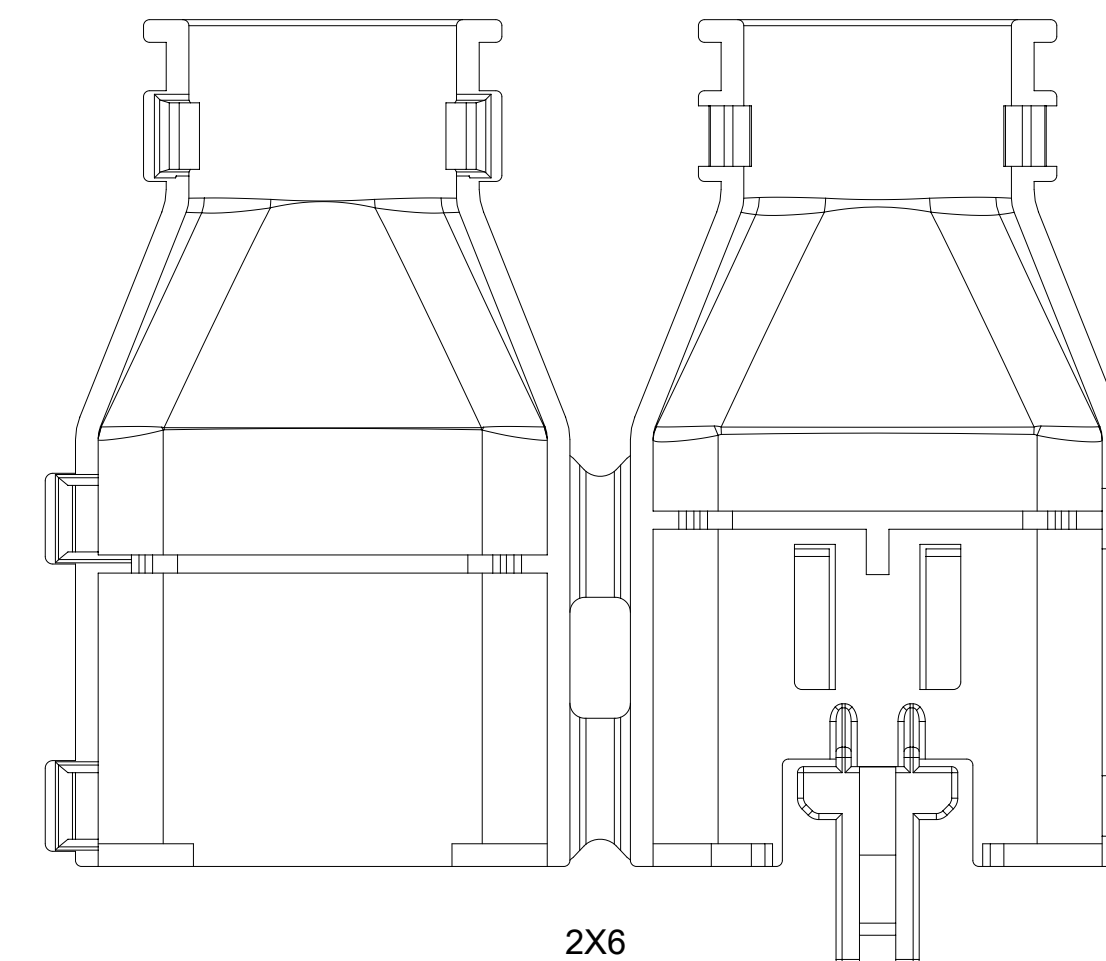
2X3
SCHLEMMER



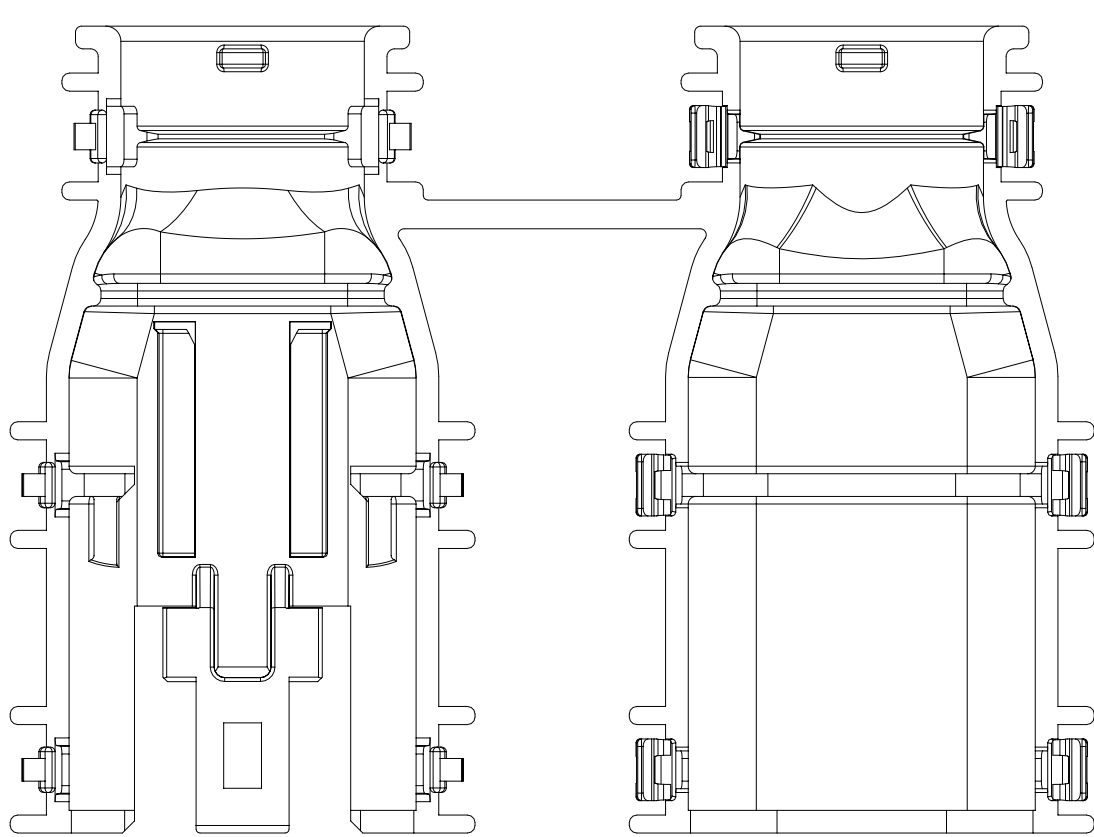
2X3
SCHLEMMER



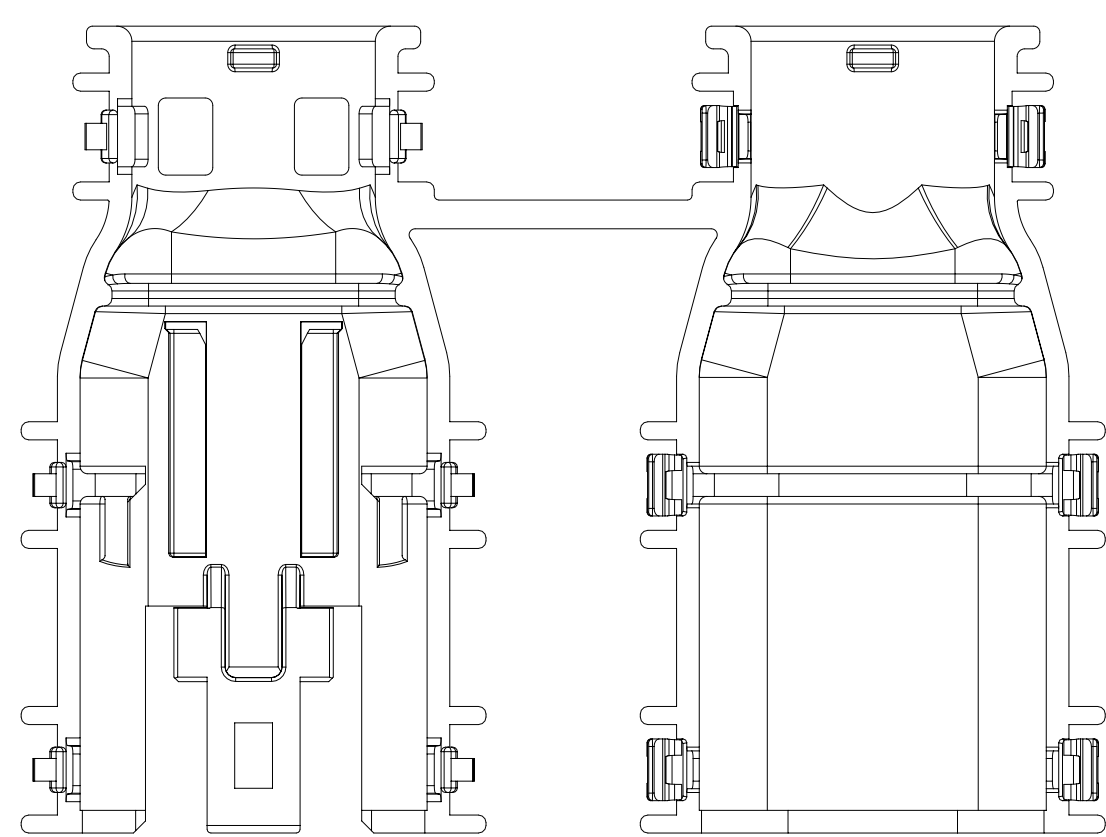
2X6
SCHLEMMER



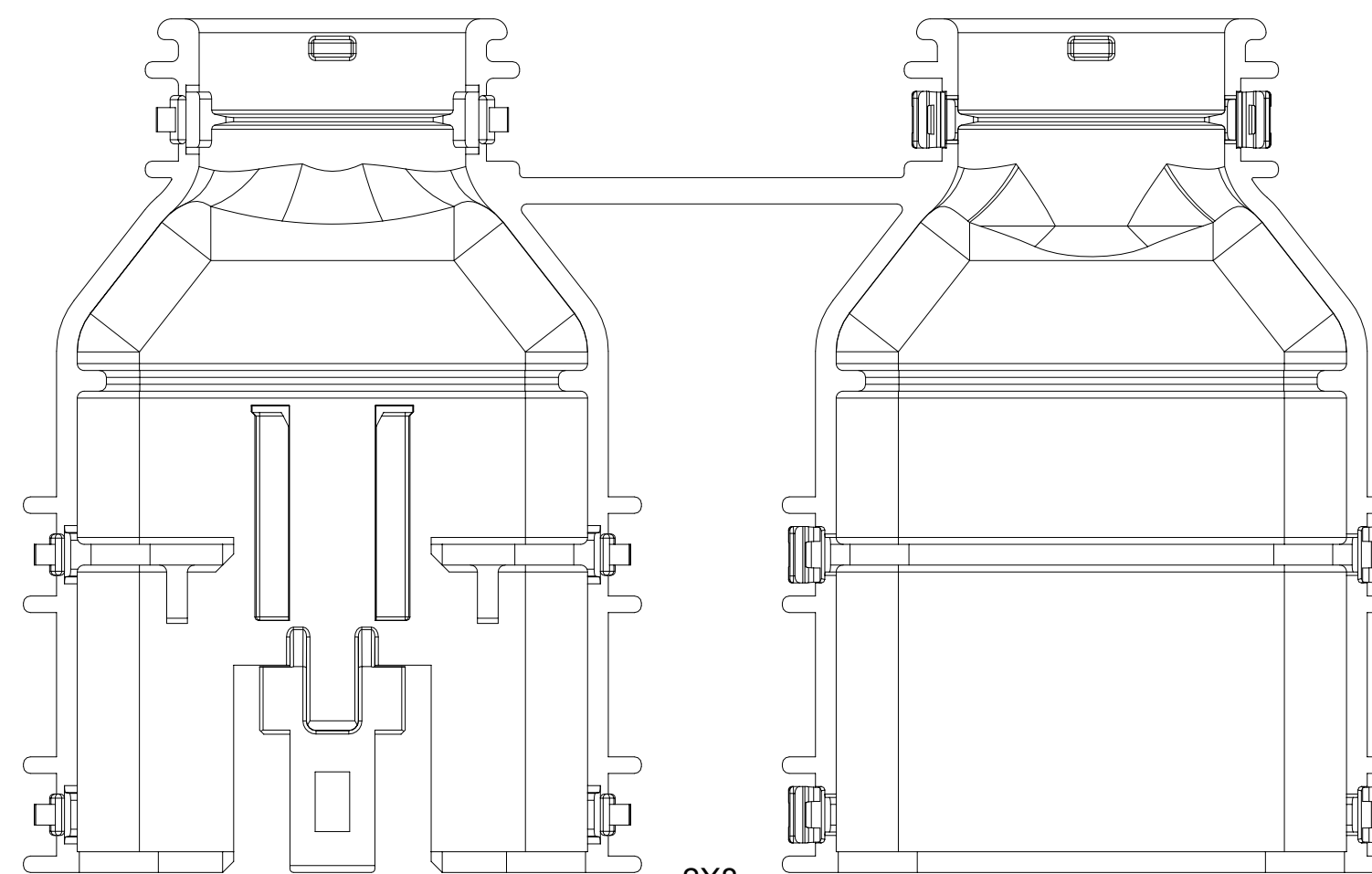
2X6
SCHLEMMER



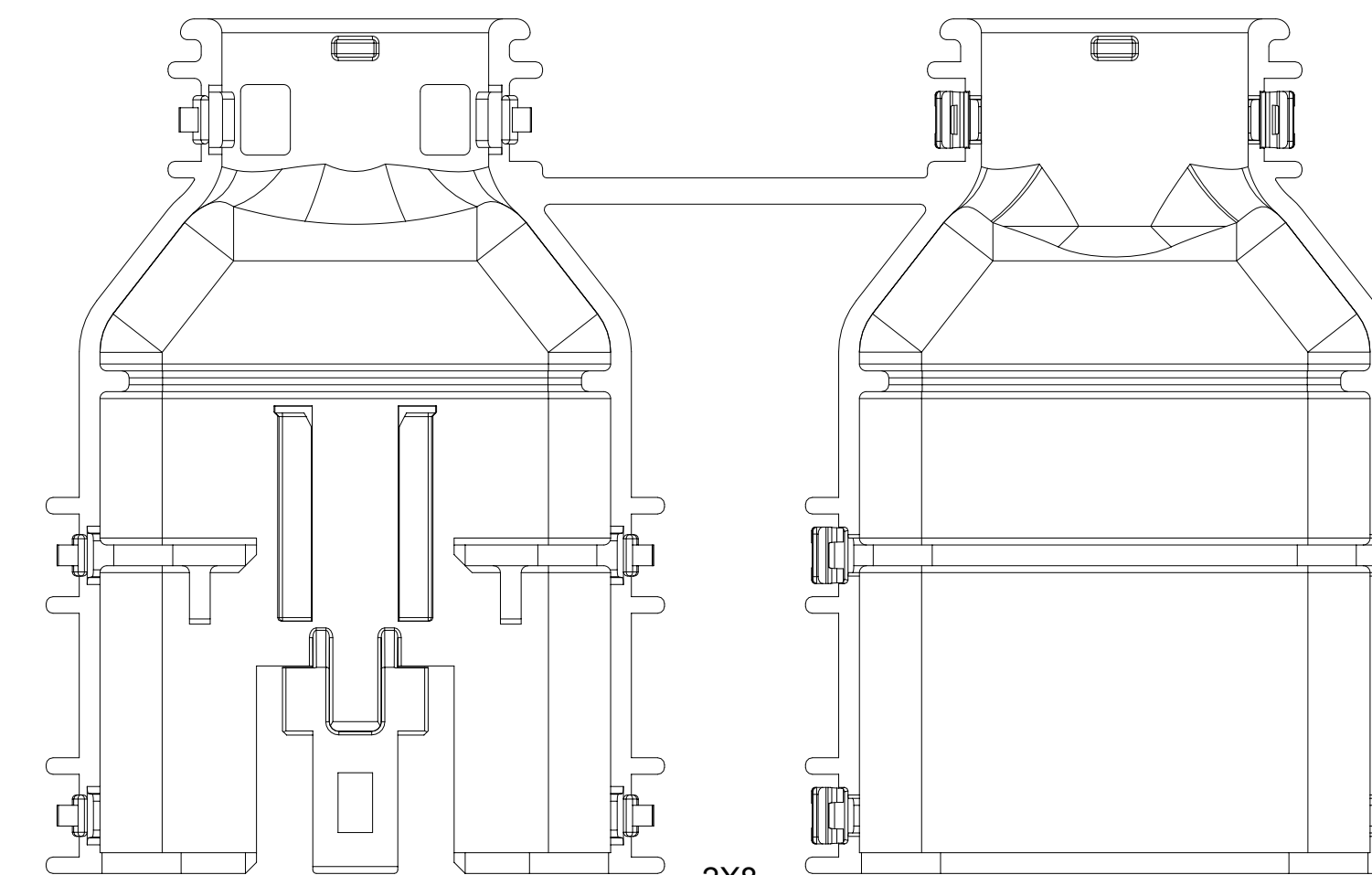
2X4
MOLEX



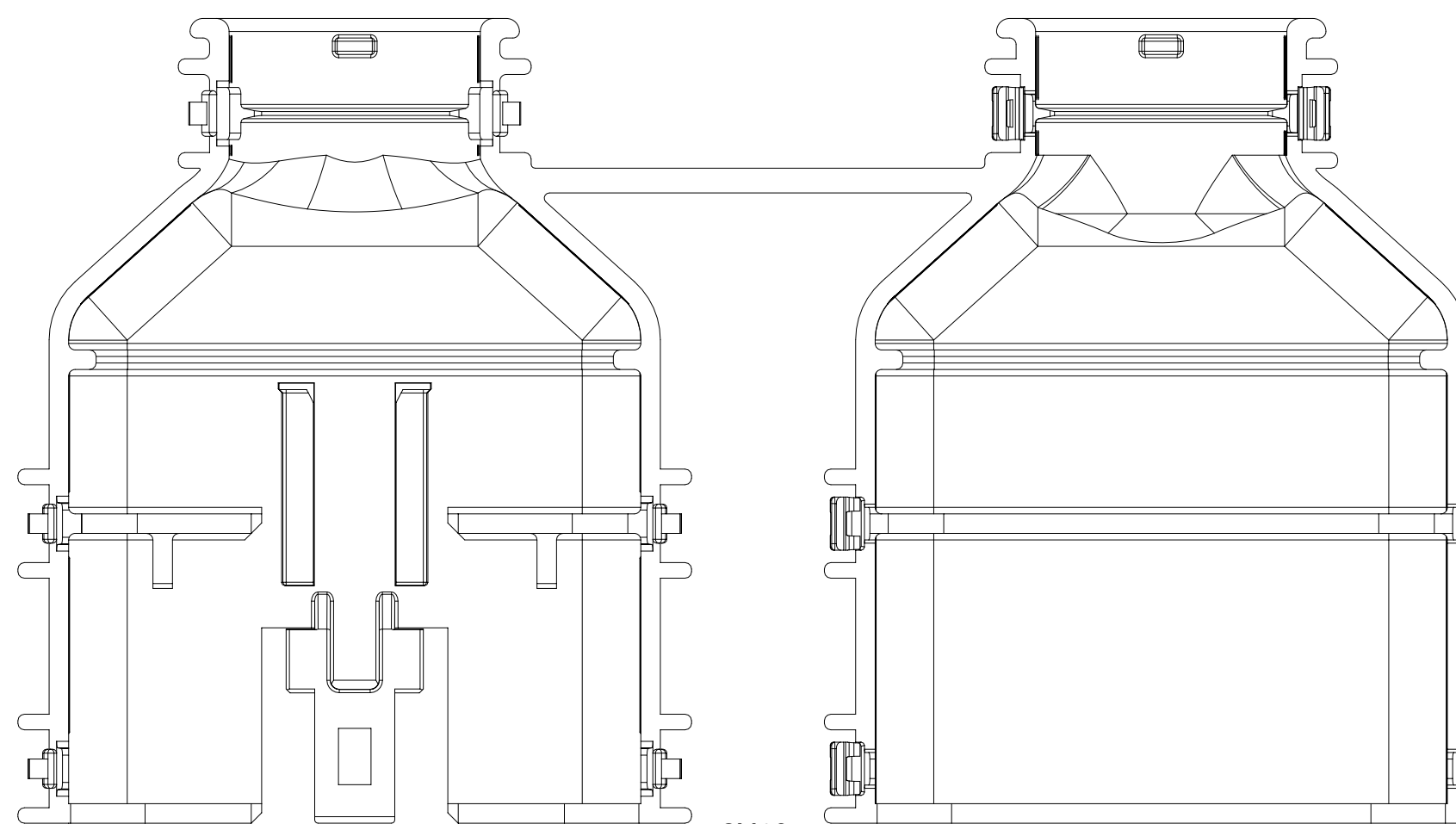
2X4
MOLEX



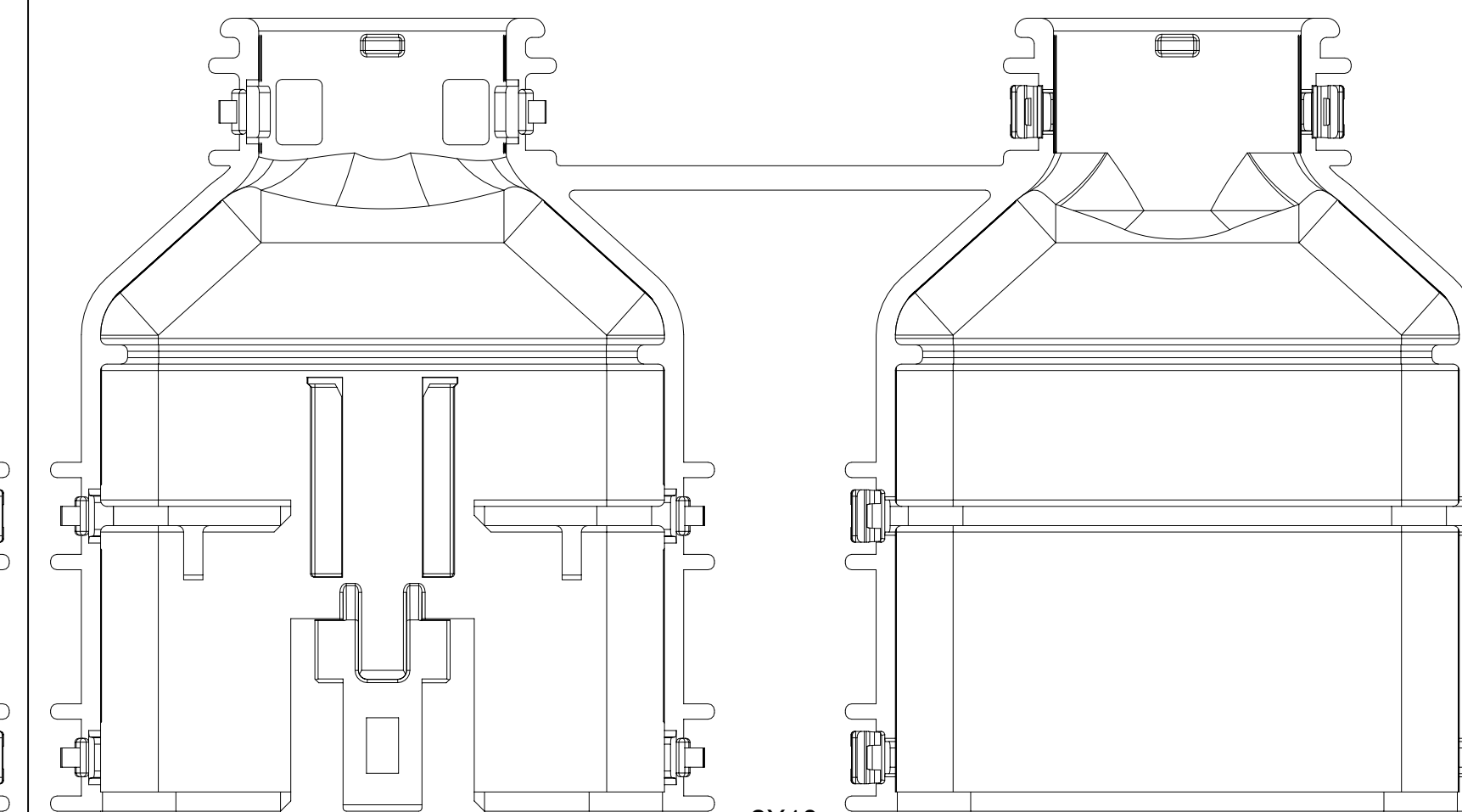
2X8
MOLEX



2X8
MOLEX



2X10
MOLEX

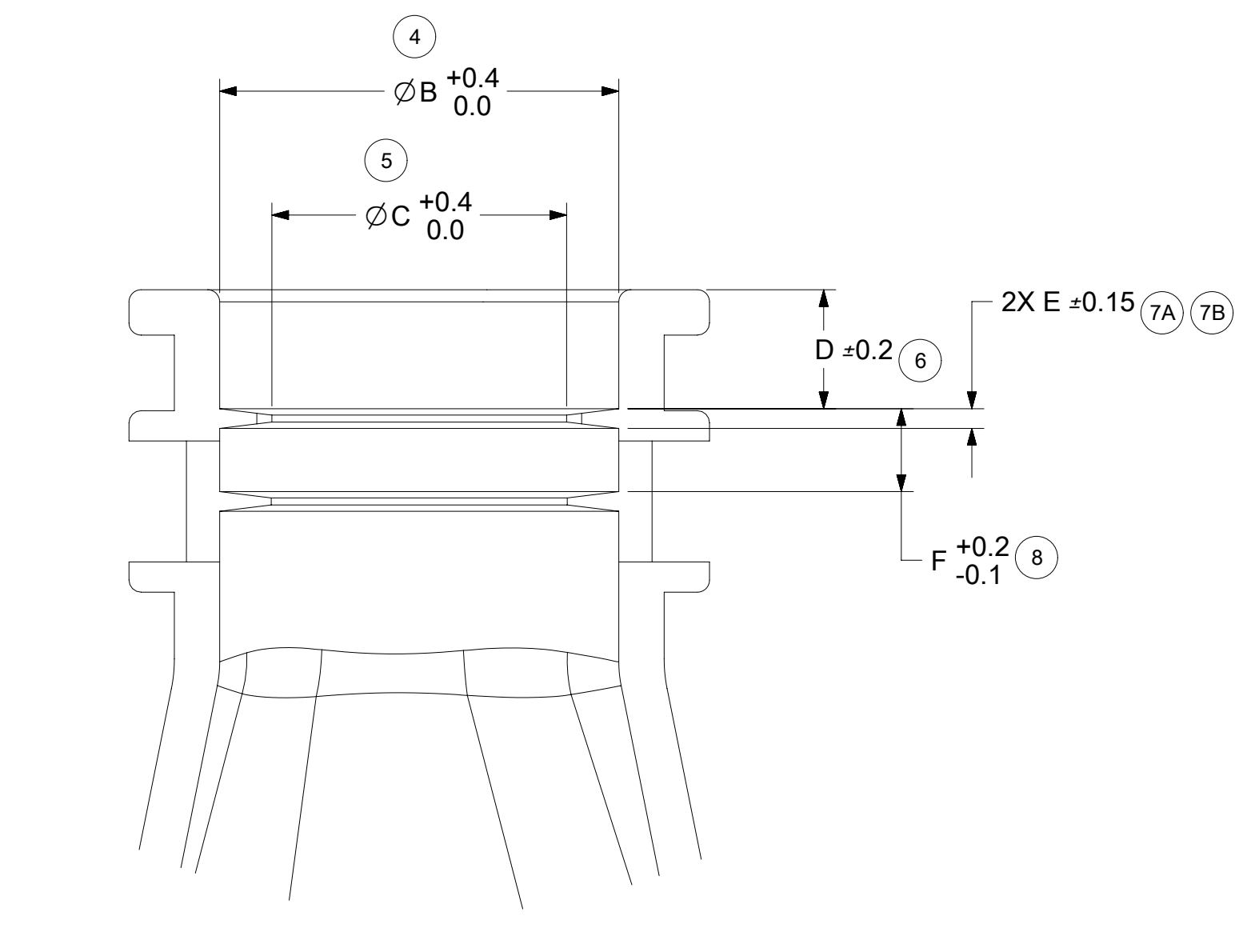
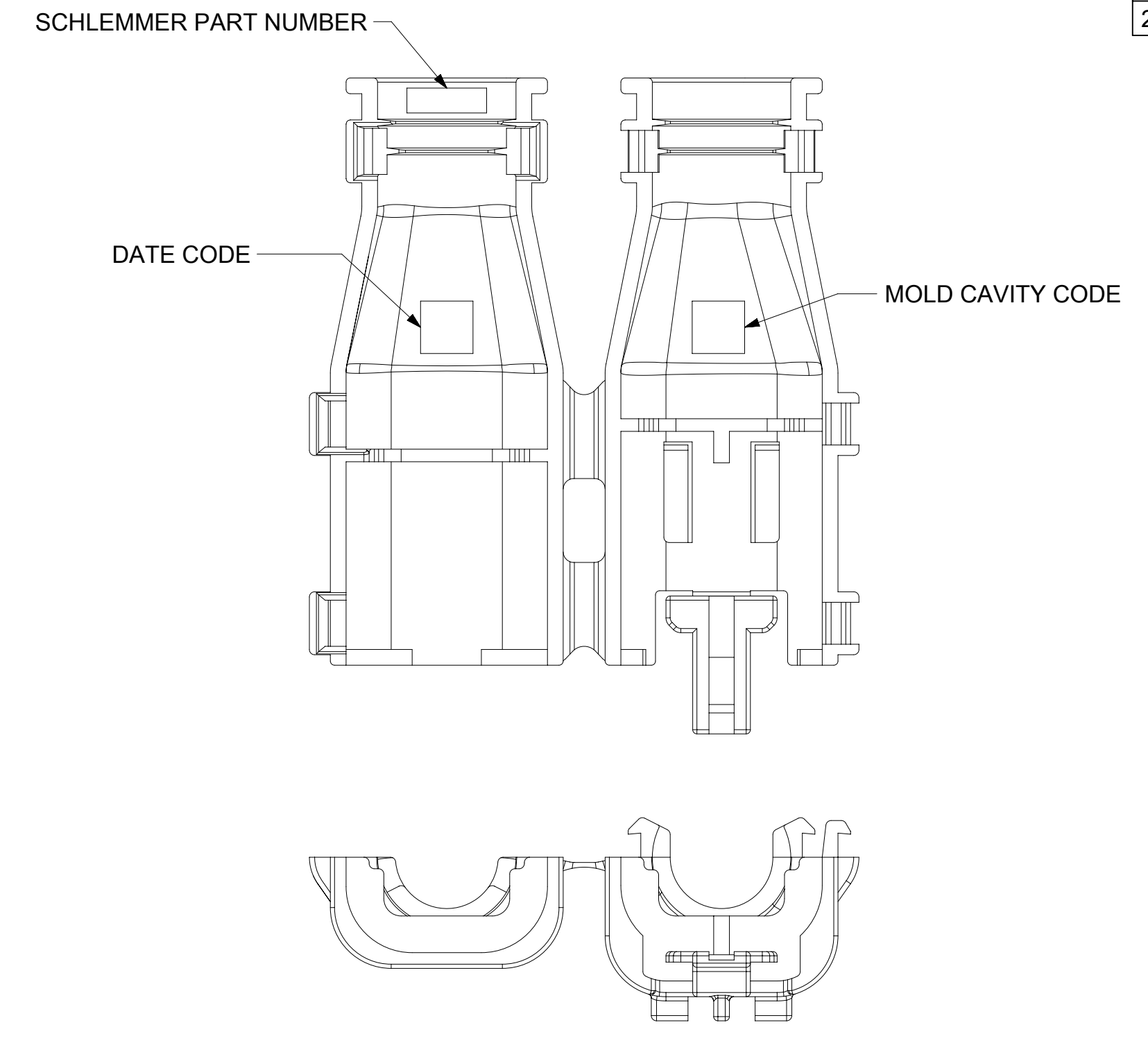
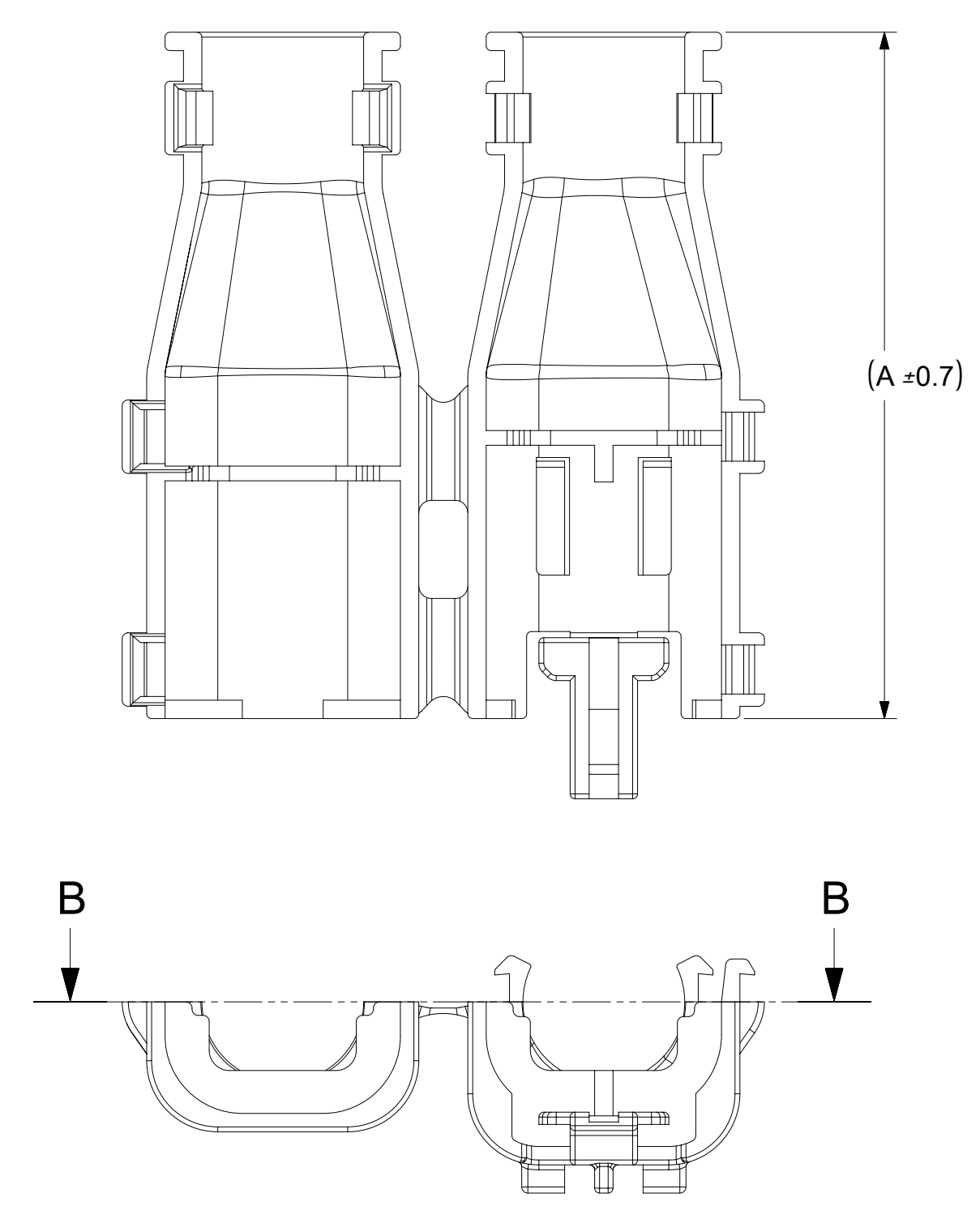
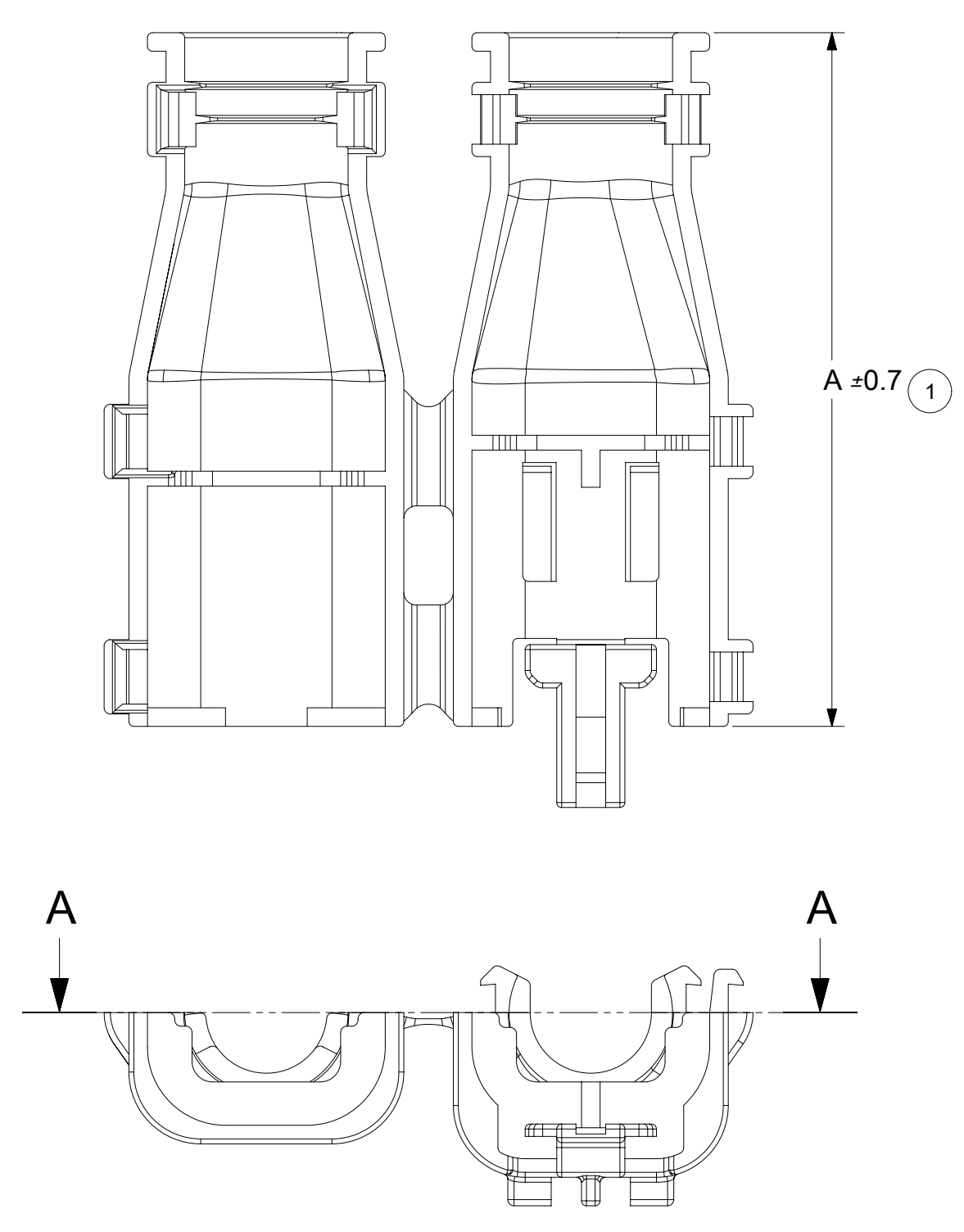


2X10
MOLEX

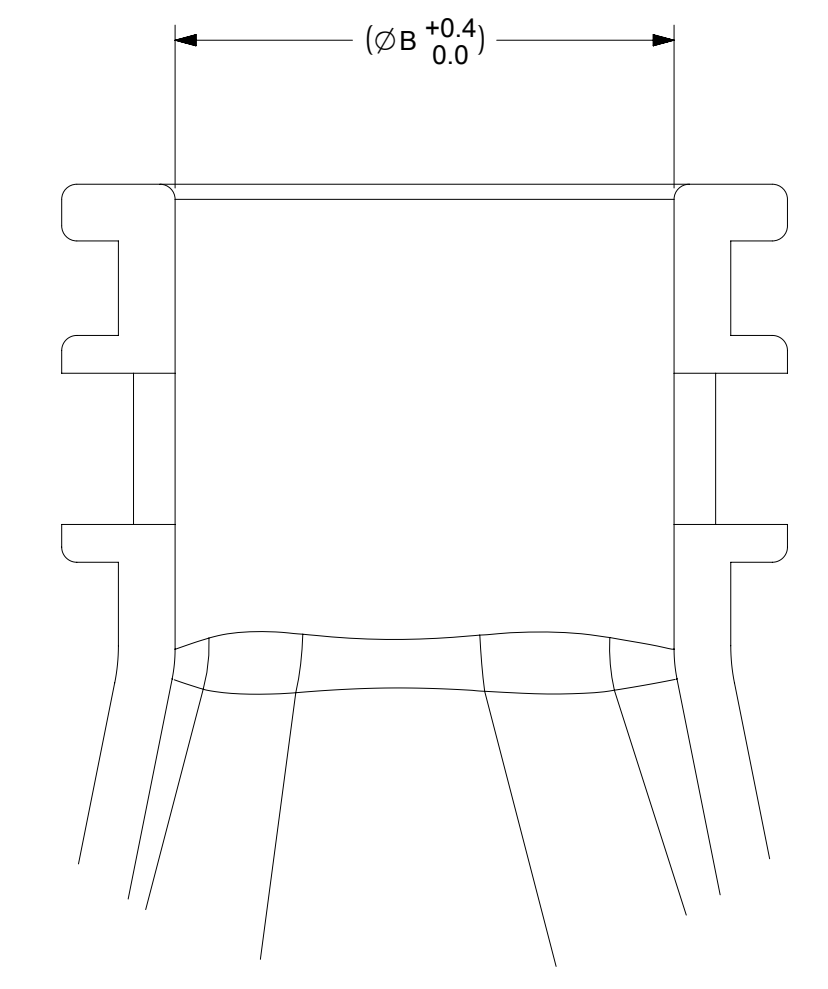
QUALITY SYMBOLS 	THIS DRAWING CONTAINS INFORMATION THAT IS PROPRIETARY TO MOLEX ELECTRONIC TECHNOLOGIES, LLC AND SHOULD NOT BE USED WITHOUT WRITTEN PERMISSION										
	EC NO: 638031 DRWN: PPALLAN CHKD: MVANSLAMBROU APPR: MVANSLAMBROU	2020/05/20	2020/05/22	2020/05/22	GENERAL TOLERANCES (UNLESS SPECIFIED)	DIMENSION UNITS	SCALE				
						mm	2:1				
	4 PLACES ±		ANGULAR TOL ± 3.0 °		DRWN BY	DATE	MX150 DUAL ROW BLADE BACKSHELLS				
	3 PLACES ±		2 PLACES ± 0.1		CHK'D BY	DATE	PRODUCT CUSTOMER DRAWING				
	2 PLACES ± 0.2		1 PLACE ± 0.2		APPR BY	DATE	SERIES		MATERIAL NUMBER		CUSTOMER
	0 PLACES ±		DRAFT WHERE APPLICABLE MUST REMAIN WITHIN DIMENSIONS		DRAWING SIZE	THIRD ANGLE PROJECTION	34950		GENERAL MARKET		
	B11		A1		SD-34950-0001		PSD		001		2 OF 4

SHEET DESCRIPTION
SCHLEMMER BACKSHELL DETAIL

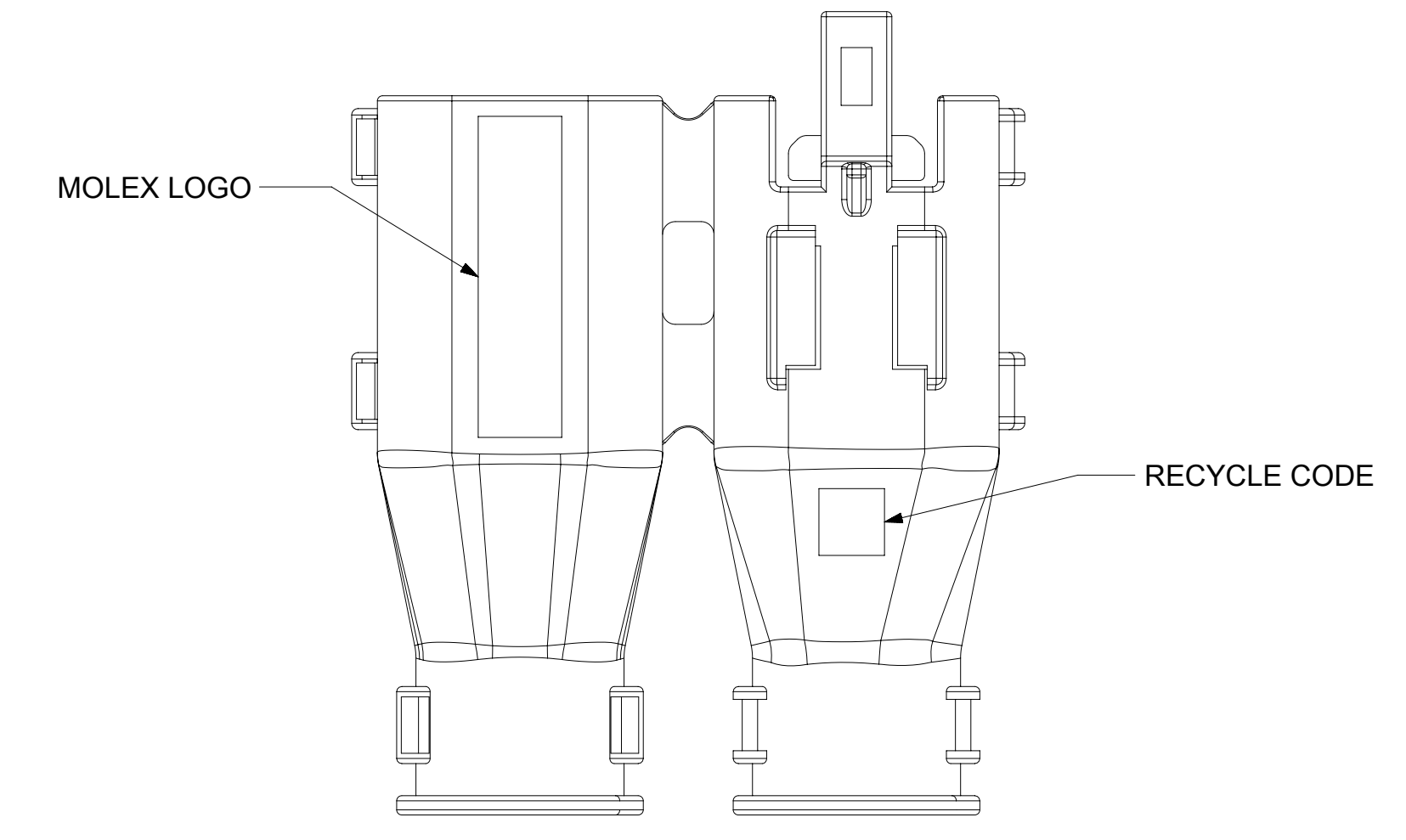
PART NUMBER	DIMENSIONS					
	A	B	C	D	E	F
2X3, WITH RIB	56.00	13.20	9.80	3.90	0.65	2.70
2X3, WITHOUT RIB	56.00	13.20	N/A	N/A	N/A	N/A
2X4, WITH RIB	TBD	TBD	TBD	TBD	TBD	TBD
2X4, WITHOUT RIB	TBD	TBD	TBD	TBD	TBD	TBD
2X6, WITH RIB	56.00	17.70	13.6	4.2	0.83	3.10
2X6, WITHOUT RIB	56.00	17.70	N/A	N/A	N/A	N/A



PARTIAL SECTION A-A
SCALE 5:1
WITH RIBS



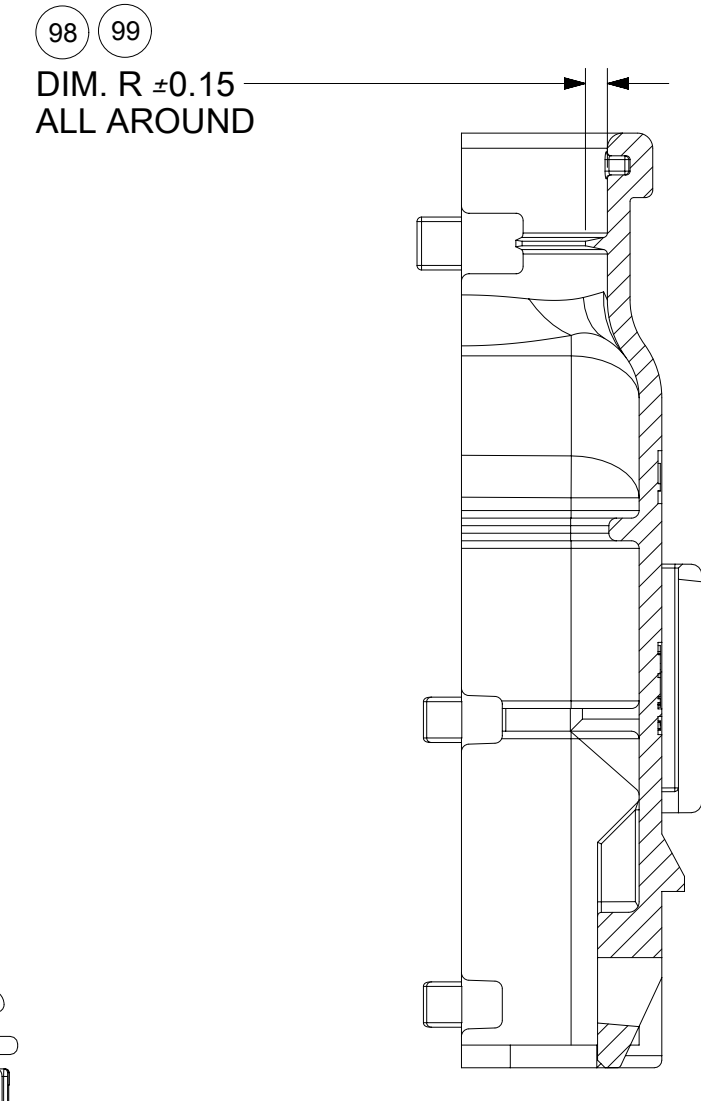
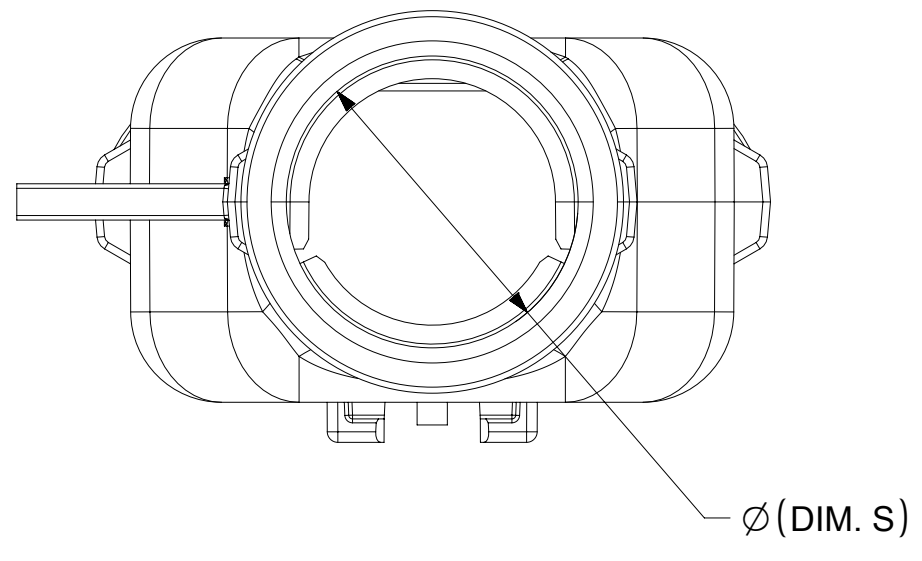
PARTIAL SECTION B-B
SCALE 5:1
WITHOUT RIBS



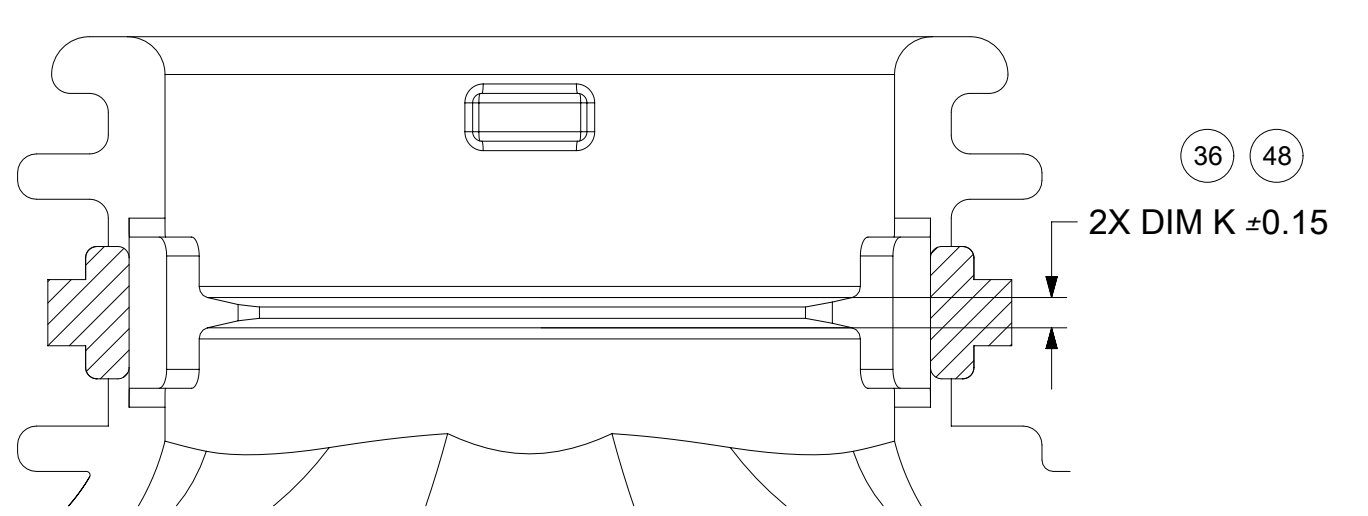
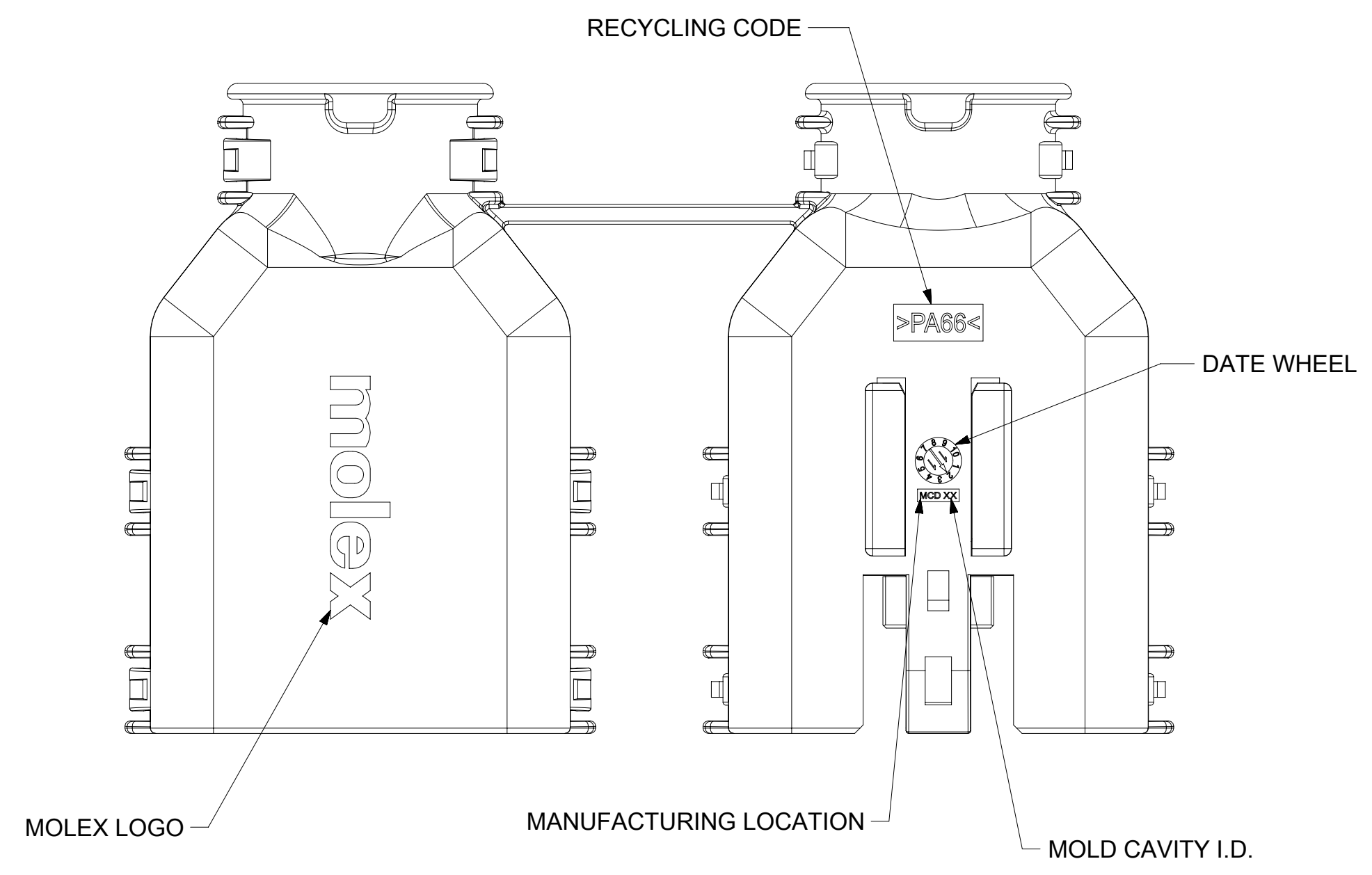
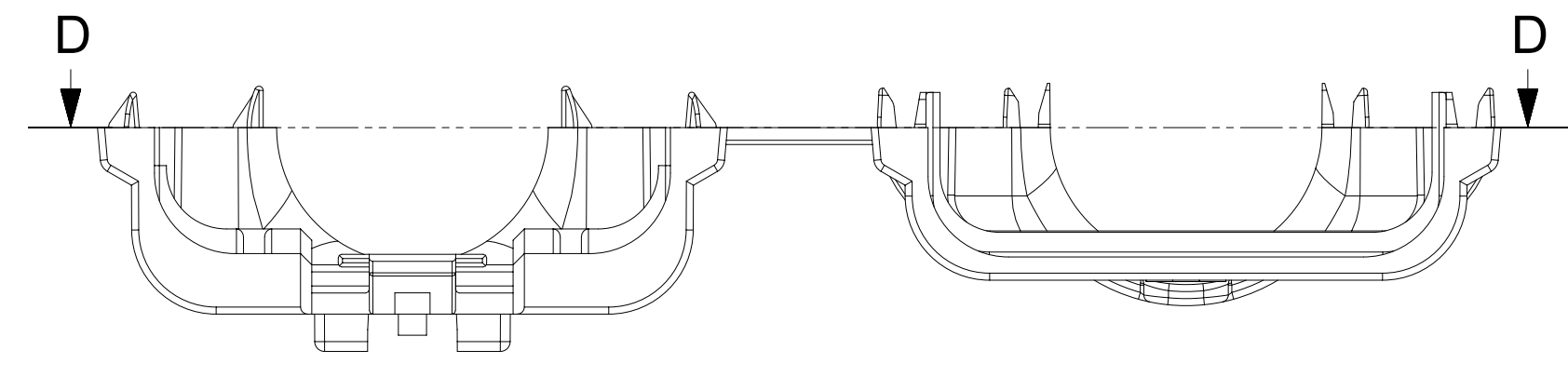
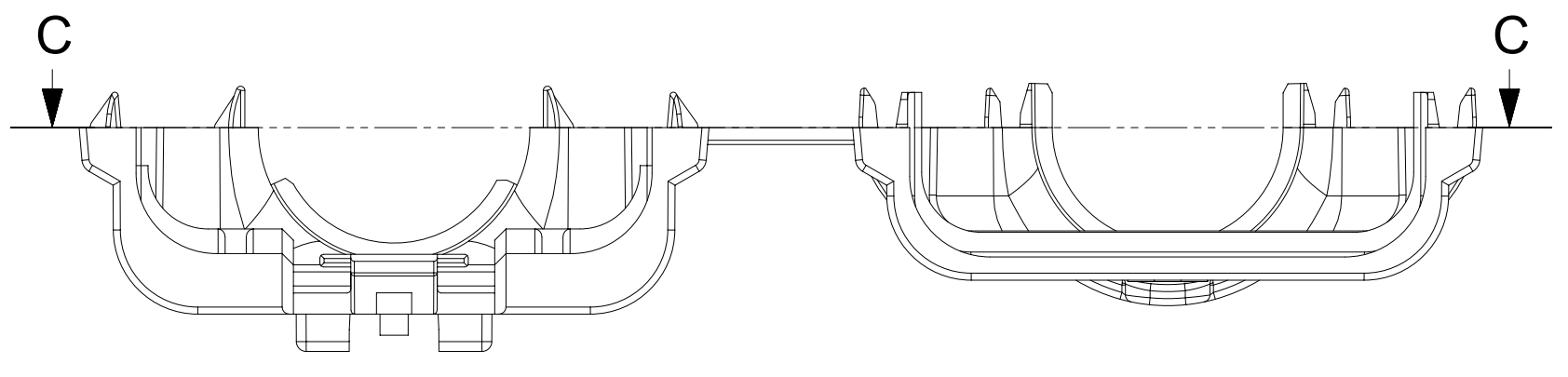
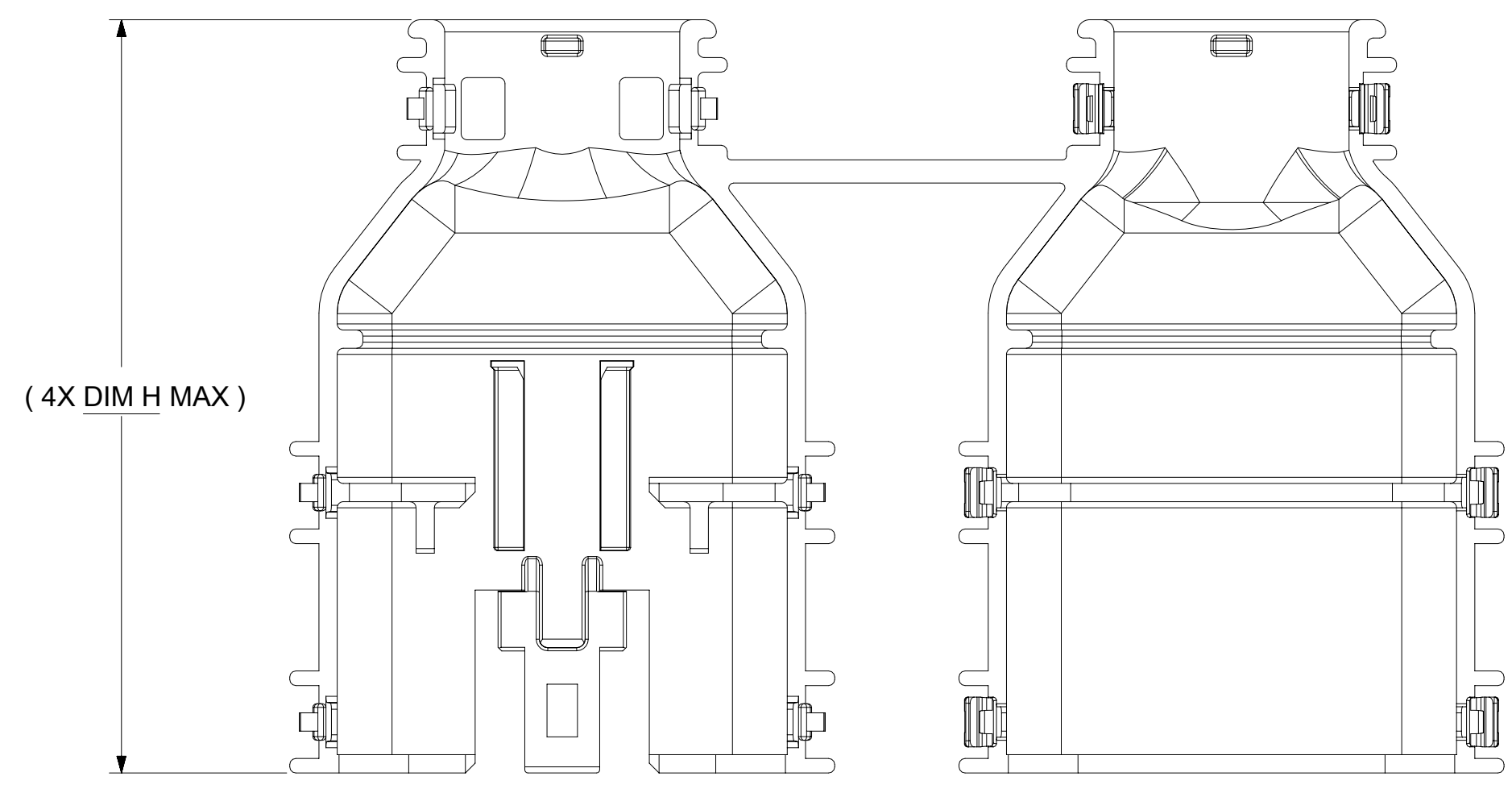
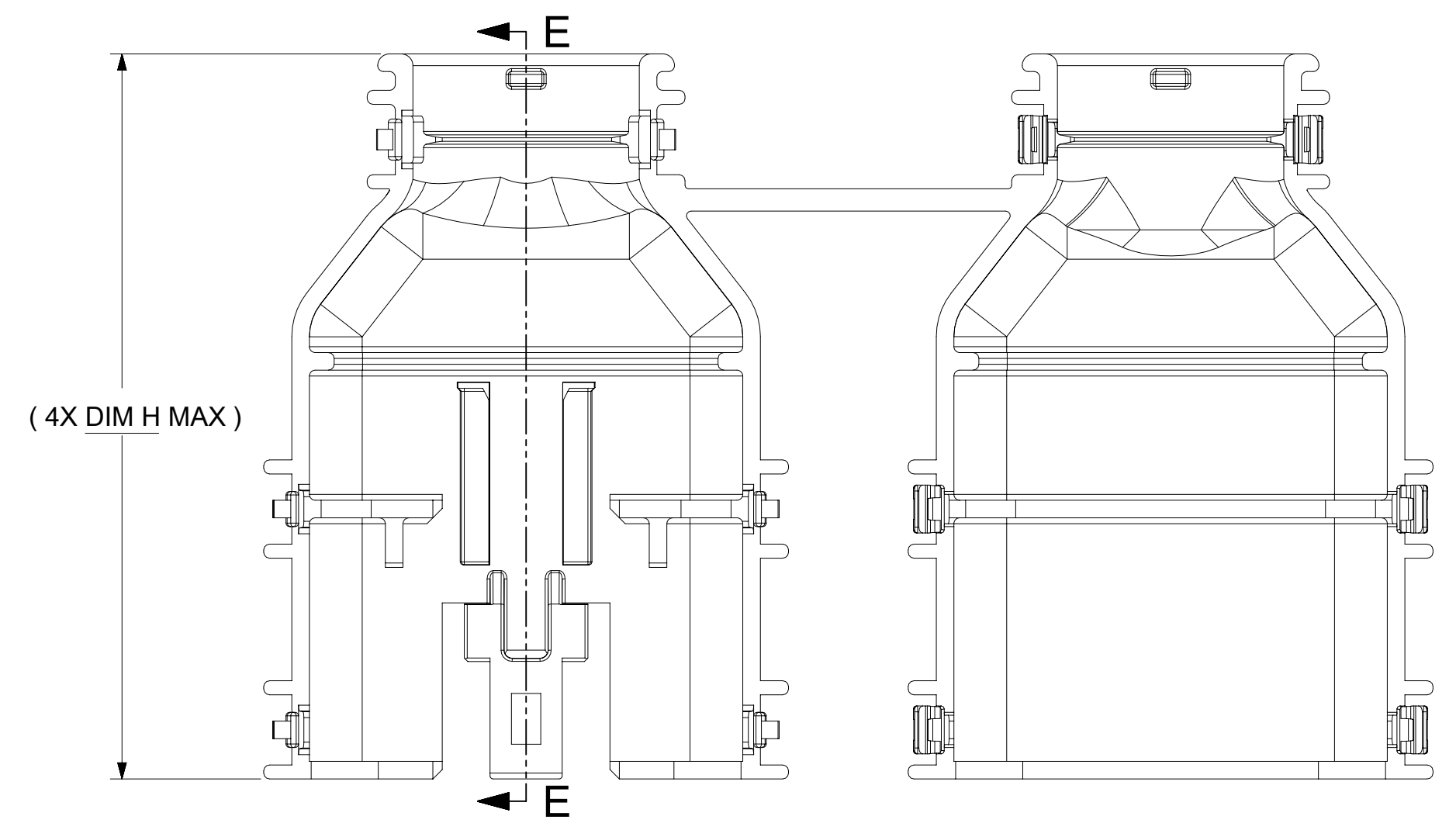
QUALITY SYMBOLS FA = 0 FE = 0 FE = 0 ▼ = 0 C = 0 ☒ = 0 ■ = 0 ∇ = 0	THIS DRAWING CONTAINS INFORMATION THAT IS PROPRIETARY TO MOLEX ELECTRONIC TECHNOLOGIES, LLC AND SHOULD NOT BE USED WITHOUT WRITTEN PERMISSION				molex MX150 DUAL ROW BLADE BACKSHELLS PRODUCT CUSTOMER DRAWING
	EC NO: 638031 DRWN: PPALLAN CHKD: MVANSLAMBROU APPR: MVANSLAMBROU	2020/05/20 2020/05/22 2020/05/22	GENERAL TOLERANCES (UNLESS SPECIFIED) ANGULAR TOL ± 3.0 ° 4 PLACES ± 3 PLACES ± 2 PLACES ± 0.1 1 PLACE ± 0.2 0 PLACES ±	DIMENSION UNITS: mm SCALE: 2:1 DRWN BY: DAHALL DATE: 2013/03/19 CHK'D BY: [blank] DATE: [blank] APPR BY: VKOSHY DATE: 2013/04/08	
B11	DRAFT WHERE APPLICABLE MUST REMAIN WITHIN DIMENSIONS	DRAWING SIZE: A1	THIRD ANGLE PROJECTION	DOCUMENT NUMBER: SD-34950-0001 DOC TYPE: PSD DOC PART: 001 SHEET NUMBER: 3 OF 4	CUSTOMER: [blank]

SHEET DESCRIPTION
MOLEX BACKSHELL DETAIL

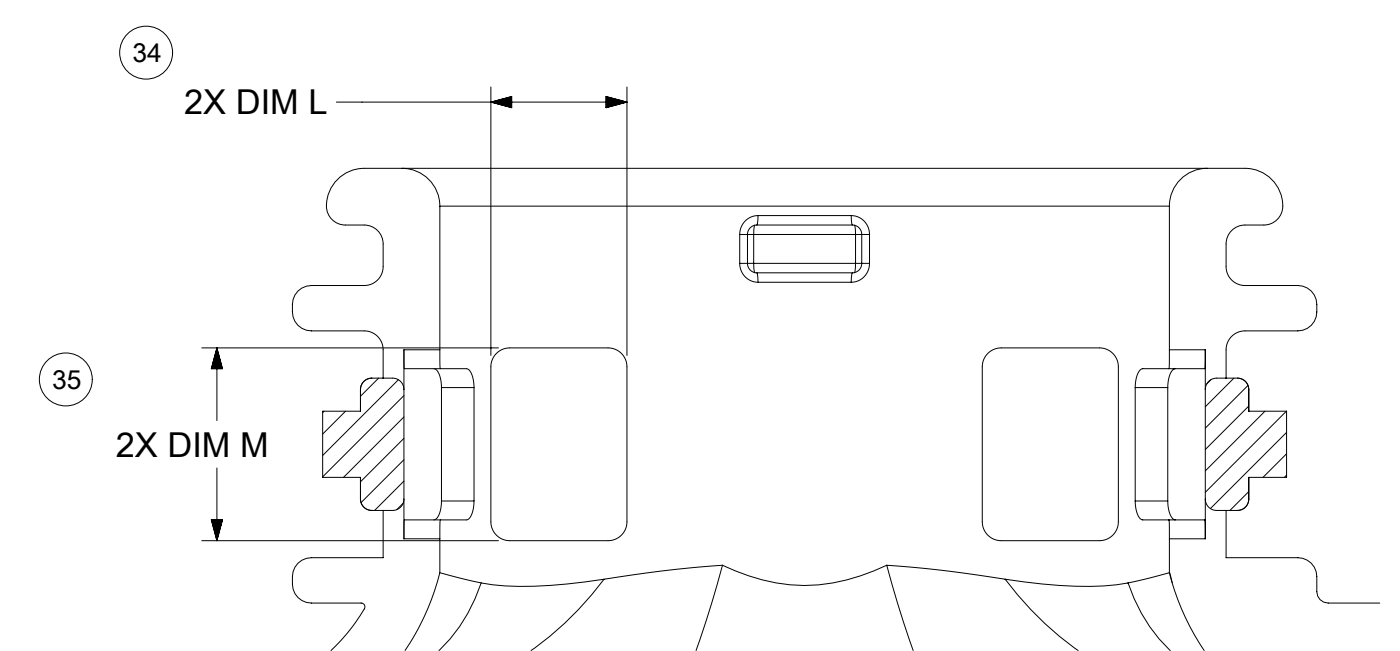
DESCRIPTION	CHARTED DIMENSION						
	H	J	K	L	M	S	R
2X4, WITH RIB	53.56	16.10	0.80	N/A	N/A	16.10	1.35
2X4, WITHOUT RIB	53.56	16.10	N/A	3.60	5.10	16.10	N/A
2X8, WITH RIB	62.01	19.30	0.80	N/A	N/A	19.30	1.45
2X8, WITHOUT RIB	62.01	19.30	N/A	3.60	5.10	19.30	N/A
2X10, WITH RIB	62.01	19.30	0.80	N/A	N/A	19.30	1.45
2X10, WITHOUT RIB	62.01	19.30	N/A	3.60	5.10	19.30	N/A



SECTION E-E



PARTIAL SECTION C-C
SCALE 5:1
WITH RIBS



PARTIAL SECTION D-D
SCALE 5:1
WITHOUT RIBS

QUALITY SYMBOLS FA = 0 FE = 0 FE = 0 ▼ = 0 C = 0 □ = 0 ■ = 0 ▽ = 0	THIS DRAWING CONTAINS INFORMATION THAT IS PROPRIETARY TO MOLEX ELECTRONIC TECHNOLOGIES, LLC AND SHOULD NOT BE USED WITHOUT WRITTEN PERMISSION											
	EC NO: 638031	DRWN BY: PPALLAN	CHK'D: MVANSLAMBROU	APPR: MVANSLAMBROU	2020/05/20	2020/05/22	2020/05/22	GENERAL TOLERANCES (UNLESS SPECIFIED)		DIMENSION UNITS	SCALE	
					4 PLACES ±		3 PLACES ±		2 PLACES ± 0.1		1 PLACE ± 0.2	
					0 PLACES ±		DRAFT WHERE APPLICABLE MUST REMAIN WITHIN DIMENSIONS		DRAWING SIZE	THIRD ANGLE PROJECTION	SERIES	
					A1		A1		mm		2:1	
					DAHALL		2013/03/19		DRWN BY		DATE	
					VKOSHY		2013/04/08		CHK'D BY		DATE	
					APPR BY		DATE		MATERIAL NUMBER		CUSTOMER	
					34950		GENERAL MARKET		DOCUMENT NUMBER		DOC TYPE	
					SD-34950-0001		PSD		001		4 OF 4	