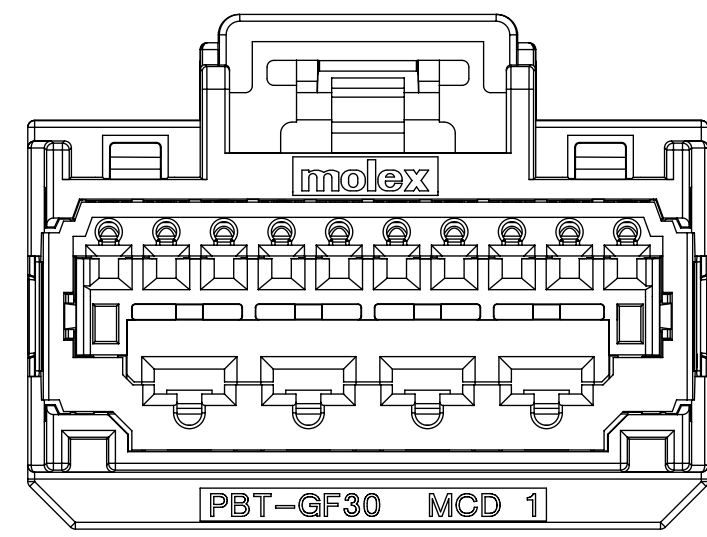
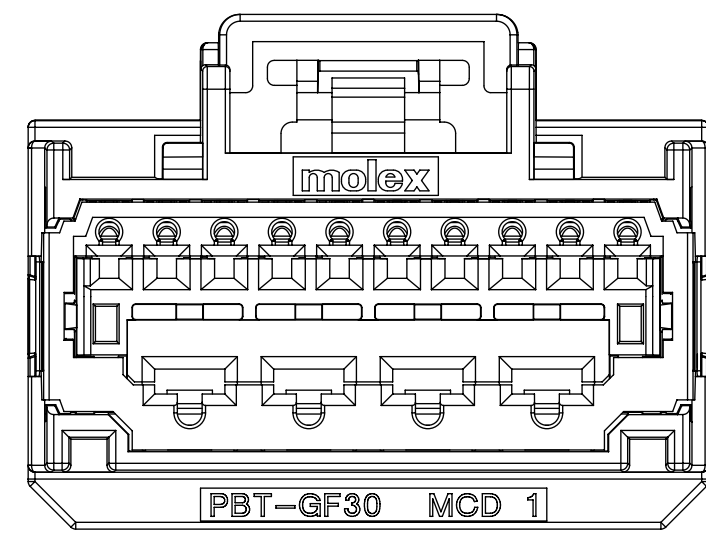


POLARIZATION OPTION "A"
P/N: 34969-0140



POLARIZATION OPTION "B"
P/N: 34969-0141

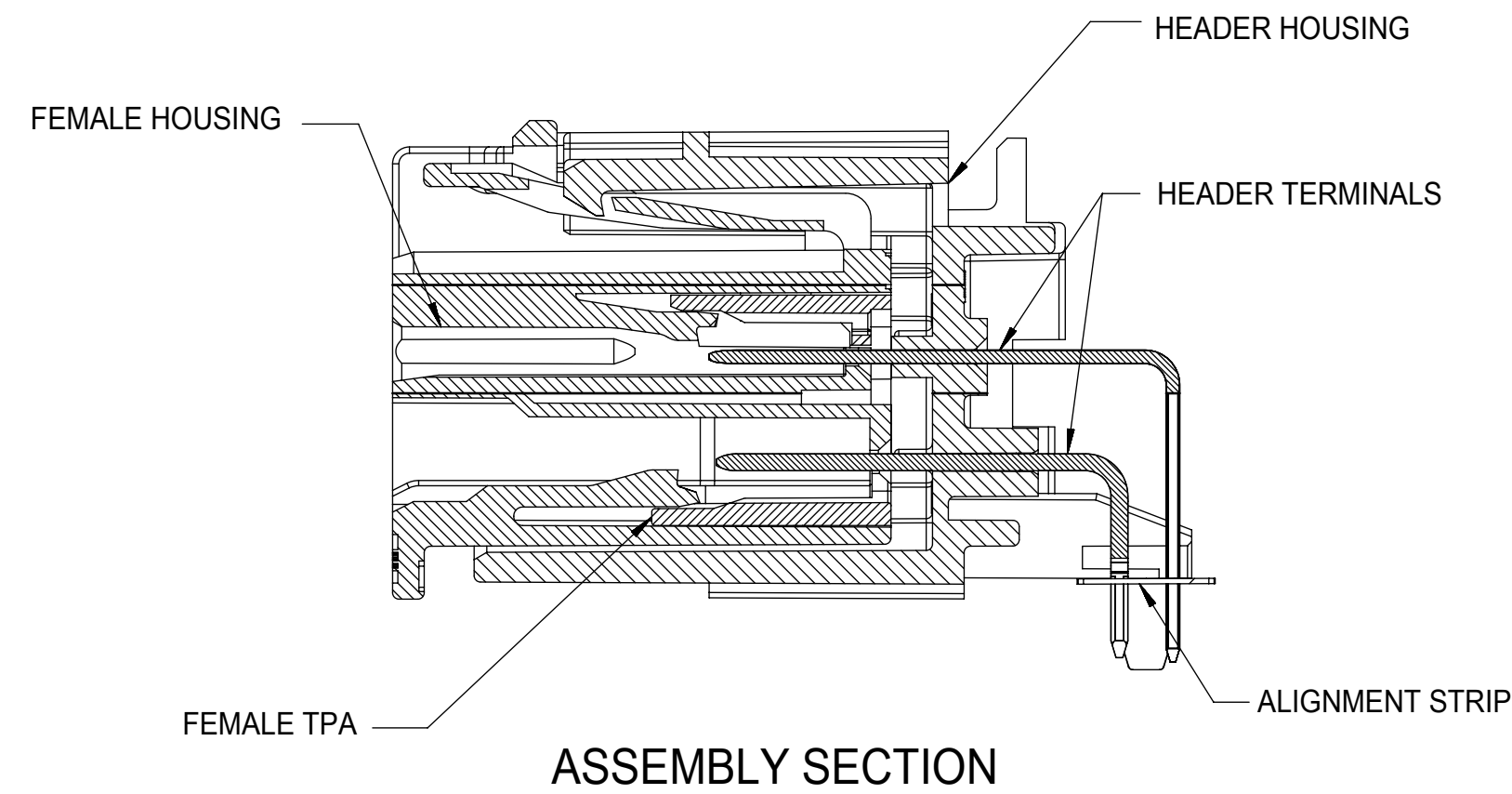


POLARIZATION OPTION "C"
P/N: 34969-0142

MOLEX ASSEMBLY PART NO.'S	MATING COMPONENT	
	VERTICAL HEADER	RIGHT ANGLE HEADER
34969-0140	34772-0140	34773-0140
34969-0141	34772-0141	34773-0141
34969-0142	34772-0142	34773-0142

ITEM	DESCRIPTION	COLOR	MOLEX COMPONENTS PART NO.	RECYCLING CODE	WEIGHT	NO OF ITEMS REQUIRED	
1	FEMALE HOUSING POL A	BLACK	34969-3140	PBT-GF30	7.24g	1	
2	FEMALE HOUSING POL B	GRAY	34969-3141	PBT-GF30	7.24g		1
3	FEMALE HOUSING POL C	BROWN	34969-3142	PBT-GF30	7.24g		1
3	TPA	NATURAL	34927-1200	PBT-GF30	1.14g	1	1

ITEM	APPLICABLE COMPONENTS			APPLICABLE WIRE SIZE		PAYOFF
	DESCRIPTION	TYPE	SUPPLIER COMPONENTS PART NO.	WIRE GAGE	MAXIMUM INSULATION DIAMETER	DIRECTION
1	MOLEX CTX64 TERMINAL	Sn	34803-3212	20 AWG	1.90 mm	LEFT
2		Sn	34803-3211	22 AWG	1.65 mm	LEFT
3		Sn	34803-3214	20 AWG	1.90 mm	RIGHT
4		Sn	34803-3213	22 AWG	1.65 mm	RIGHT
5	TYCO 2.8 TERMINAL	Sn	1326030-4	10/12 AWG	4.04 mm	\
6		Sn	1326030-3	14/16 AWG	2.69 mm	\
7		Sn	1326030-2	18/20 AWG	2.06 mm	\
8	TYCO 2.8 TERMINAL	Sn	1326030-1	22 AWG	1.65 mm	\
9		Sn	7116-4112-02	14 AWG	2.69 mm	\
10		Sn	7116-4111-02	16/18 AWG	2.34 mm	\
11		Sn	7116-4110-02	20/22 AWG	1.85 mm	\



NOTES: VALID UNLESS OTHERWISE SPECIFIED

1. GENERAL:

- a. APPLICATION SPECIFICATION SEE: AS-34729-010
- b. PRODUCT SPECIFICATION SEE: PS-34969-100
- c. PACKAGING SPECIFICATION PER MOLEX DRAWING: PK-31301-211
- d. PARTS MUST BE IN COMPLIANCE TO MOLEX CHEMICAL SUBSTANCES FOR PRODUCTS AND PACKAGING SPECIFICATION: PS-40000-5015
- e. DATA MUST BE SUBMITTED UNDER THE MOLEX PART NUMBER TO IMDS (COMPANY ID#13255)

2. DESIGN - MATERIALS:

- a. SEE BOM TABLE

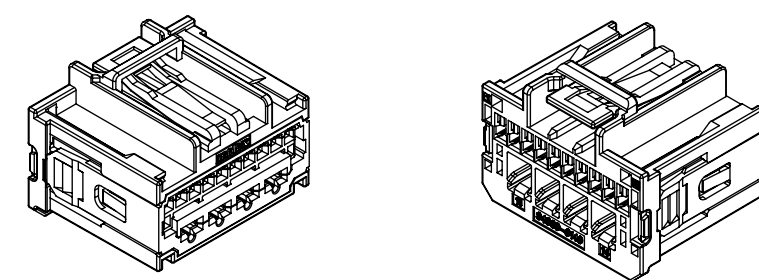
3. DESIGN - GEOMETRY:

- a. THIS IS A 100% CAD GENERATED PART. THE CAD MATHEMATICAL DATA IS THE MASTER FOR THIS PART. FOR DIMENSIONAL OR ANY INFORMATION NOT SHOWN ON THIS DRAWING, ANALYZE THE CAD MODEL.
- b. GEOMETRIC DIMENSIONS AND TOLERANCES PER ASME Y14.5M - 1994
- c. EDGES AND UNDIMENSIONED DETAILS PER ISO13715
- d. CORNERS SHOWN AS SHARP TO BE R 0.2 MAX.
- e. LETTERING SHALL BE 0.15 MAX RAISED IN 0.25 MAX RECESS PAD. THIS INCLUDES RECYCLING CODE, CAVITY ID, VENDOR IDENTIFICATION, AND CUSTOMER MATERIAL NUMBER.
- f. VISUAL DEFECTS SHALL MEET COSMETIC STANDARD PS-45499-002 (Class B)

4. DESIGN - MANUFACTURING:

- a. TPAs MAY BECOME SEATED DURING TRANSIT. IF THIS OCCURS, REFERENCE MOLEX PRODUCT SPECIFICATION PS-34646-001

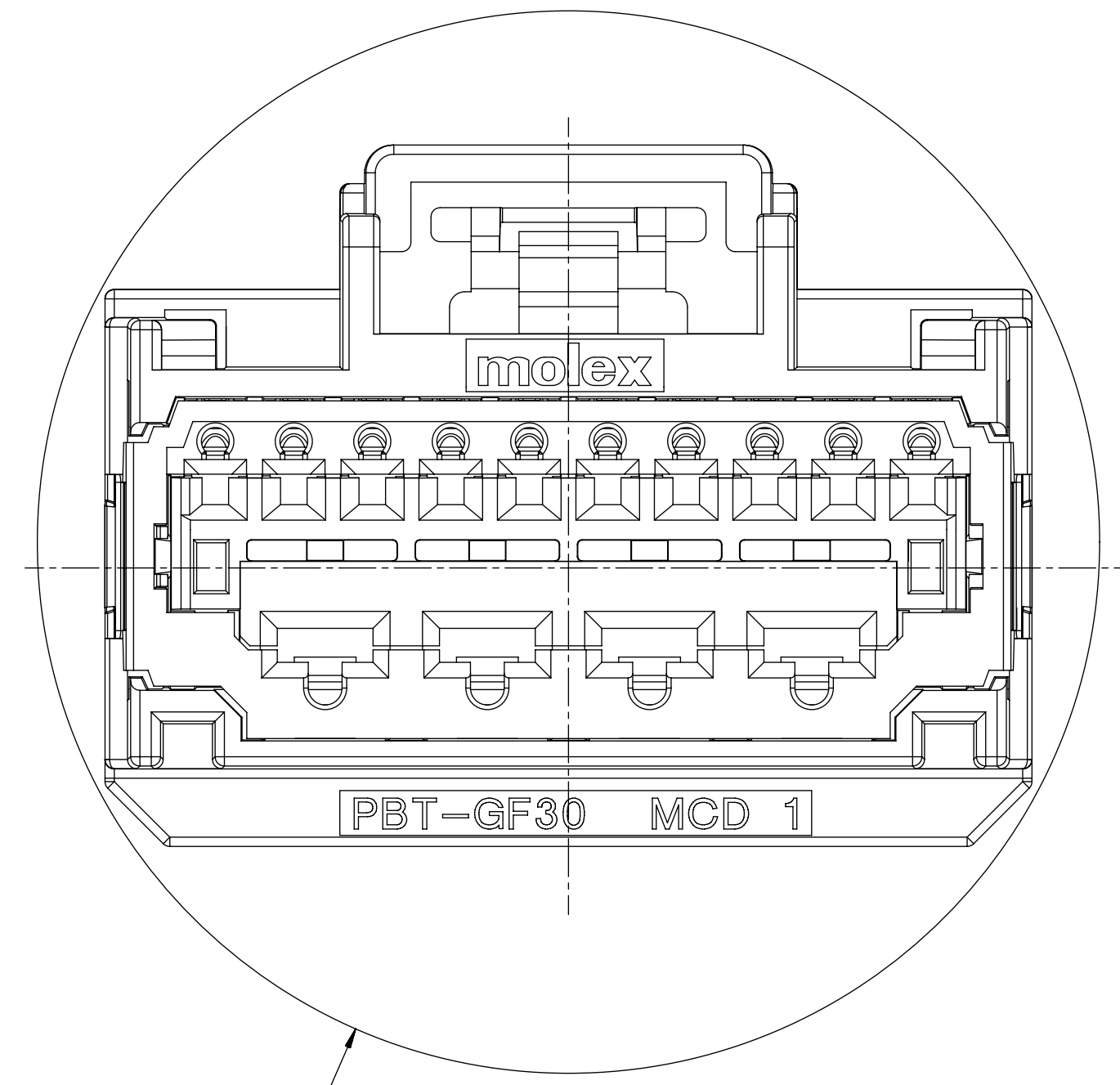
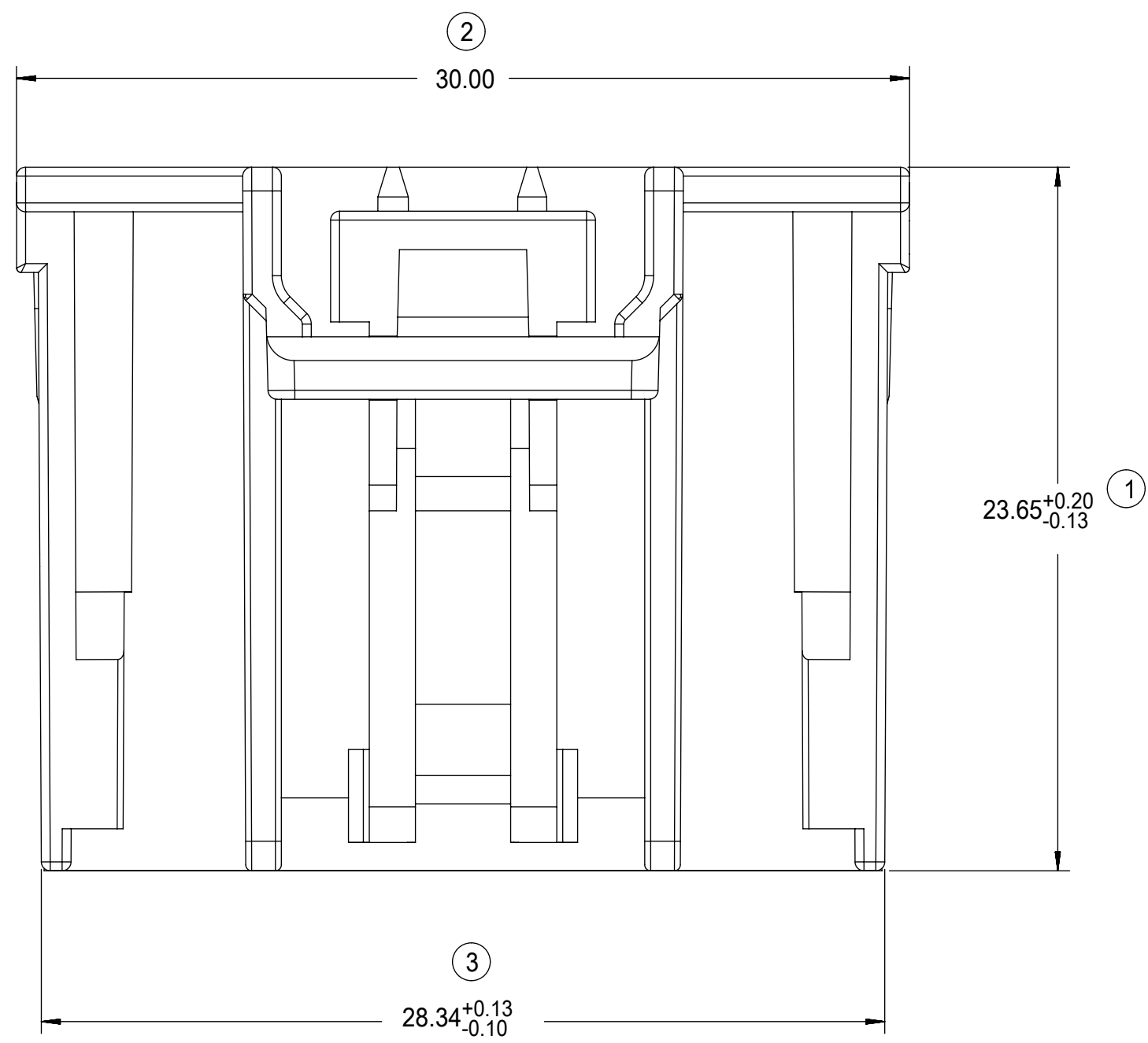
A2	CORRECTED CTX64 TERMINAL PNs : 34803-3212 WAS 34803-0212 34803-3211 WAS 34803-0211 34803-3214 WAS 34803-0214 34803-3213 WAS 34803-0213 17-Feb-2020 YPENG47
REV.	REV DESCRIPTION



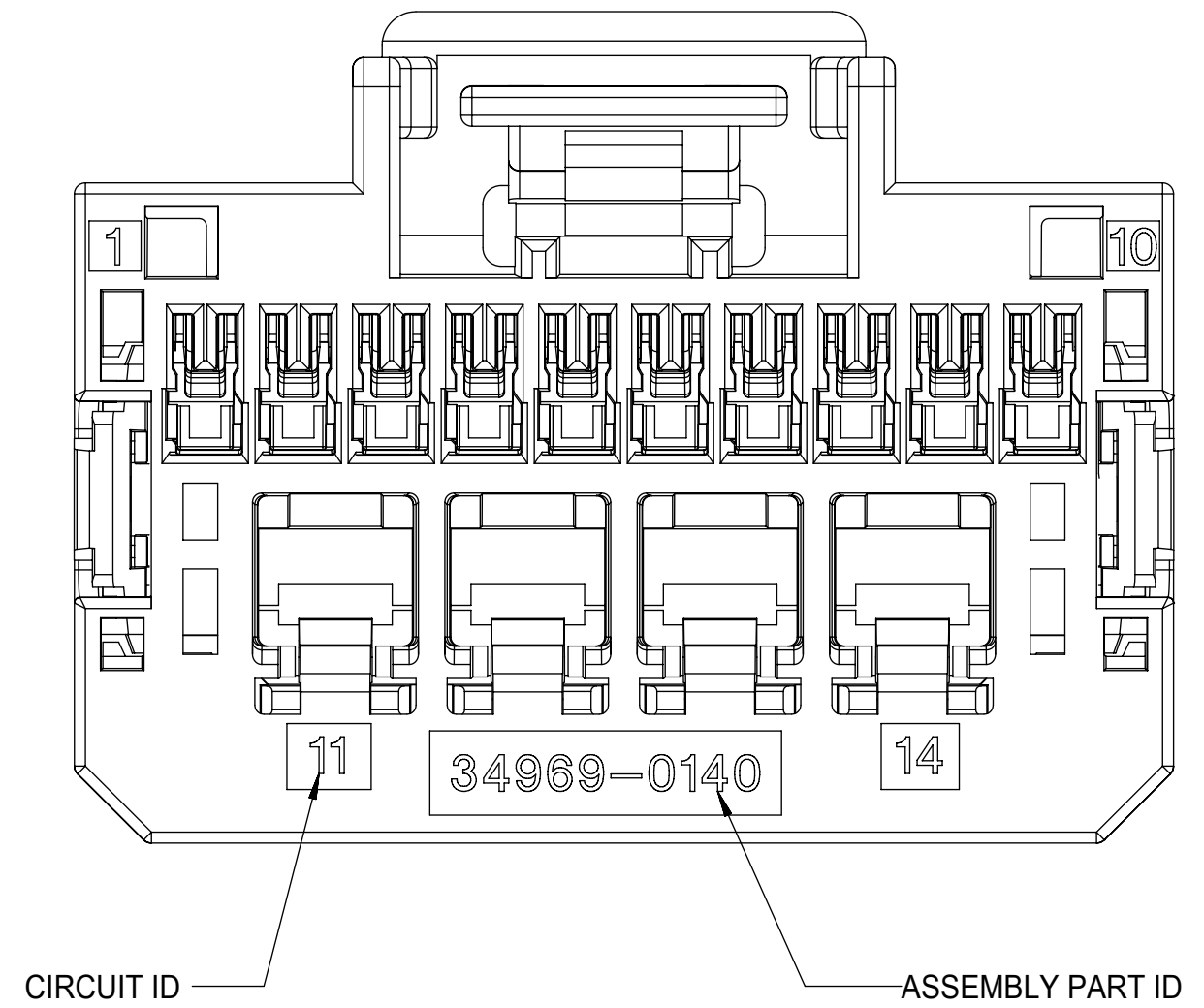
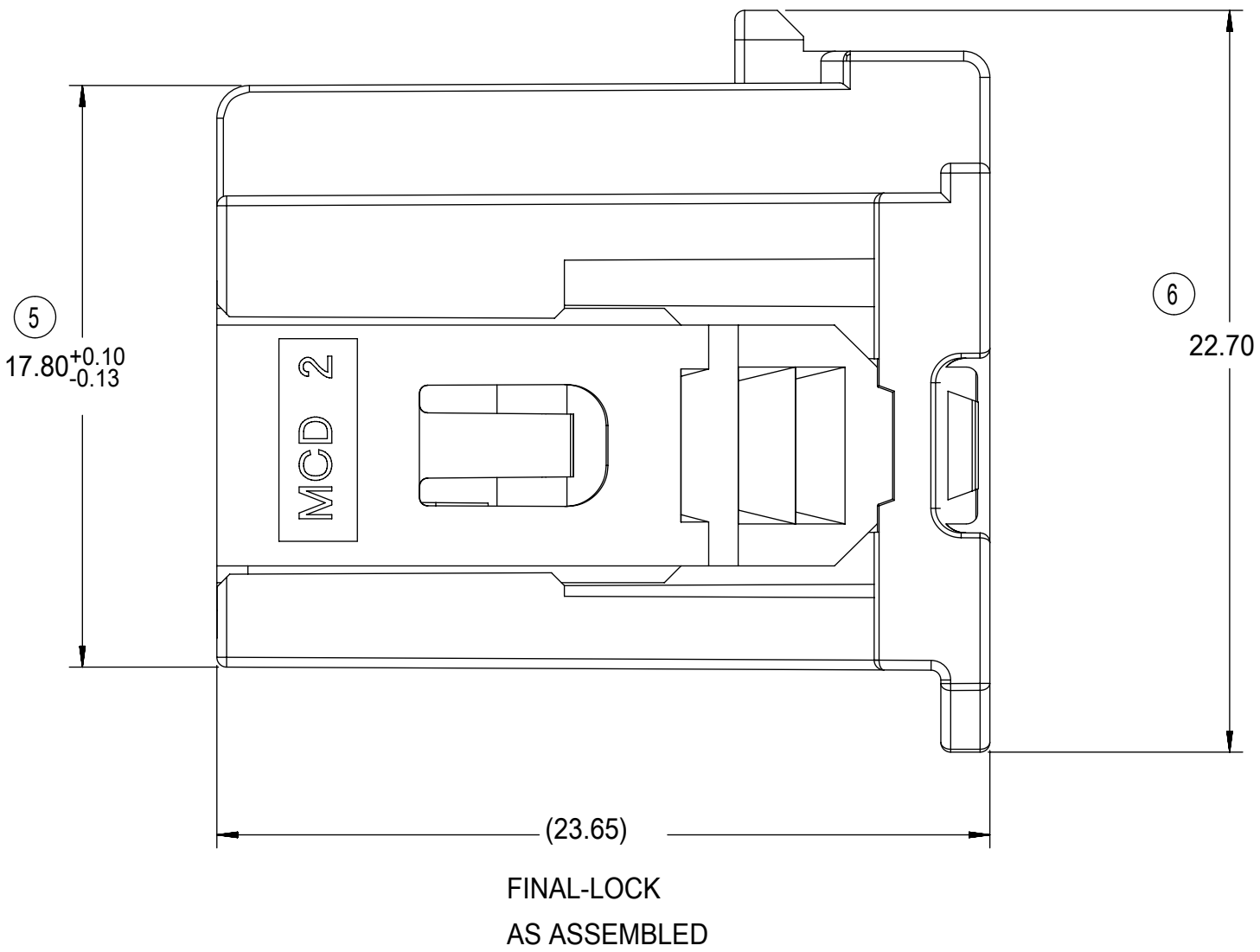
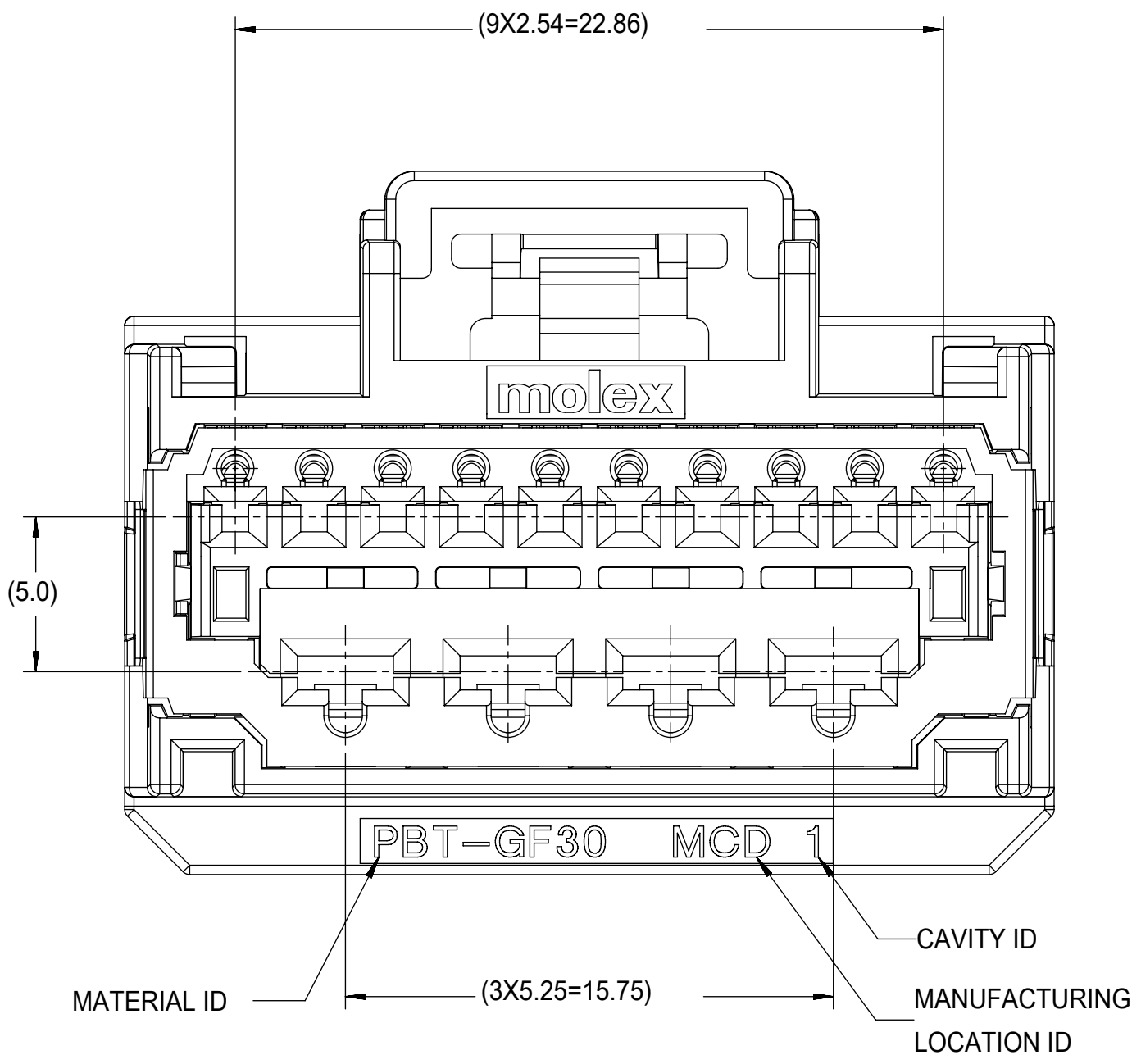
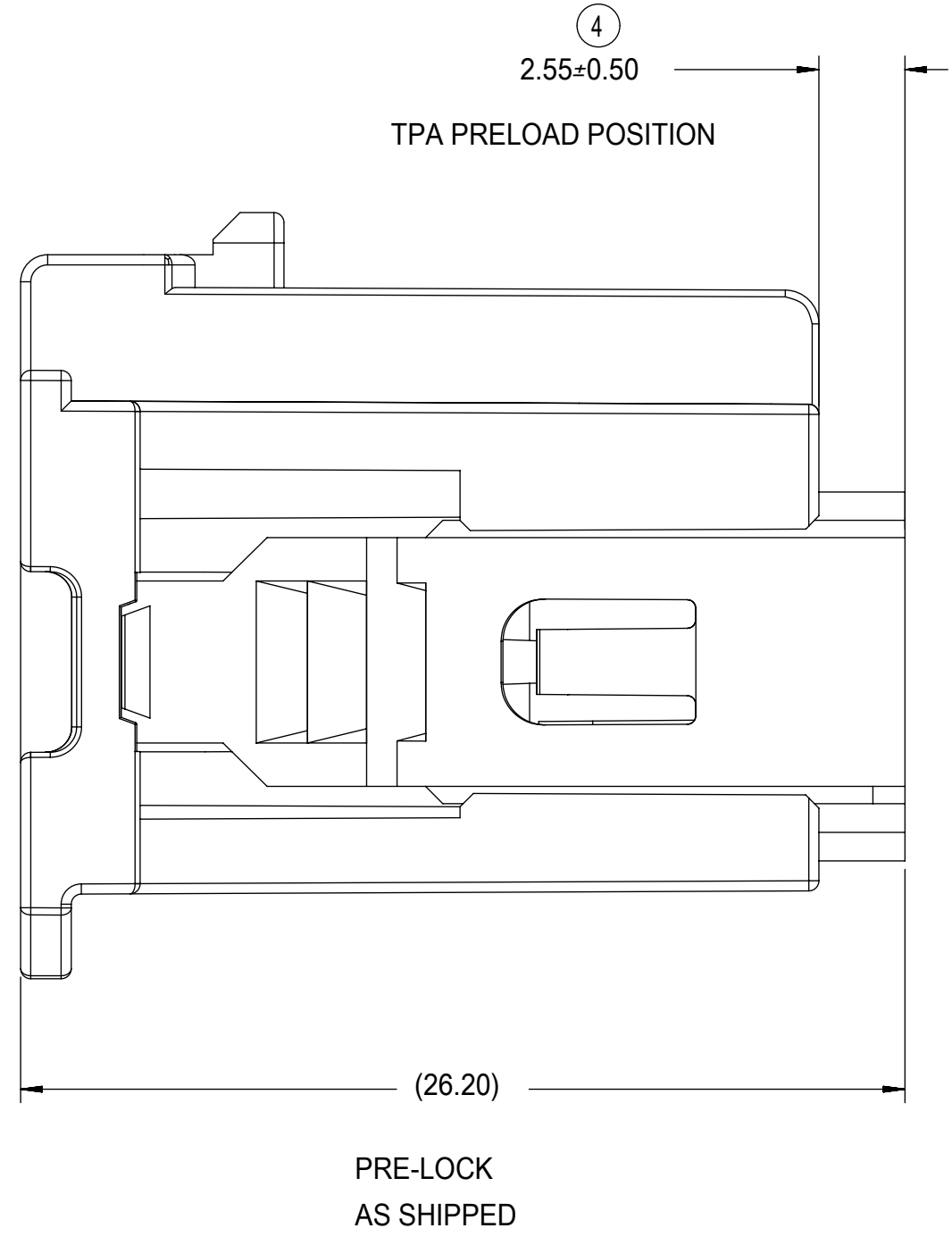
ISOMETRIC VIEWS
SCALE 1:1
(POLARITY A SHOWN)

INSPECTION BALLOON NUMBER LOG	
PER DRAWING REVISION:	A2
LAST BALLOON NUMBER USED:	6
ADDED BALLOON NUMBERS:	
REMOVED BALLOON NUMBERS:	

SYMBOLS	THIS DRAWING CONTAINS INFORMATION THAT IS PROPRIETARY TO MOLEX ELECTRONIC TECHNOLOGIES, LLC AND SHOULD NOT BE USED WITHOUT WRITTEN PERMISSION		CURRENT REV DESC: SEE REV DESCRIPTION A2	
▽ = 0	DIMENSION UNITS	SCALE	mm 3:1	
▽ = 0	GENERAL TOLERANCES (UNLESS SPECIFIED)			
▽ = 0	ANGULAR TOL ± 3.0°			
▽ = 0	4 PLACES	±	EC NO: 630844	
▽ = 0	3 PLACES	±	DRWN: YPENG47 2019/08/26	
▽ = 0	2 PLACES	± 0.13	CHK'D: CZHANG118 2020/01/09	
▽ = 0	1 PLACE	± 0.25	APPR: CDZHANG 2020/02/27	
▽ = 0	0 PLACES	±	INITIAL REVISION:	
⊠ = 0	DRAFT WHERE APPLICABLE MUST REMAIN WITHIN DIMENSIONS		DRWN: CYMA 2012/10/30	2013/01/04
⊠ = 0	THIRD ANGLE PROJECTION	DRAWING	SERIES	MATERIAL NUMBER
	⊕	D-SIZE	34969	GENERAL MARKET
DOCUMENT STATUS			P1	RELEASE DATE
2020/02/27			07:23:30	
DOCUMENT NUMBER		DOC TYPE	DOC PART	REVISION
SD-34969-010		PSD	001	A2
SHEET NUMBER			1 OF 2	



(Ø35.38)PASS-THRU
WITH ±1.0 PER SIDE



SYMBOLS	THIS DRAWING CONTAINS INFORMATION THAT IS PROPRIETARY TO MOLEX ELECTRONIC TECHNOLOGIES, LLC AND SHOULD NOT BE USED WITHOUT WRITTEN PERMISSION		
	DIMENSION UNITS	SCALE	CURRENT REV DESC: SEE REV DESCRIPTION A2
▽ = 0	mm	5:1	
▽ = 0	GENERAL TOLERANCES (UNLESS SPECIFIED)		
▽ = 0	ANGULAR TOL	± 3.0°	
▽ = 0	4 PLACES	±	EC NO: 630844
▽ = 0	3 PLACES	±	DRWN: YPENG47 2019/08/26
▽ = 0	2 PLACES	± 0.13	CHK'D: CZHANG118 2020/01/09
▽ = 0	1 PLACE	± 0.25	APPR: CDZHANG 2020/02/27
▽ = 0	0 PLACES	±	INITIAL REVISION:
▽ = 0	DRAFT WHERE APPLICABLE MUST REMAIN WITHIN DIMENSIONS		DRWN: CYMA 2012/10/30
▽ = 0	THIRD ANGLE PROJECTION		APPR: RBAUMAN 2013/01/04
		DRAWING	SERIES
		D-SIZE	34969
DOCUMENT STATUS		P1	RELEASE DATE
2020/02/27		07:23:30	
DOCUMENT NUMBER		DOC TYPE	DOC PART
SD-34969-010		PSD	001
REVISION		A2	
MATERIAL NUMBER		CUSTOMER	SHEET NUMBER
34969		GENERAL MARKET	2 OF 2

molex

14 CKT HYBRID
CTX 0.64 AND GENY 2.80 RECEPTACLE

PRODUCT CUSTOMER DRAWING