

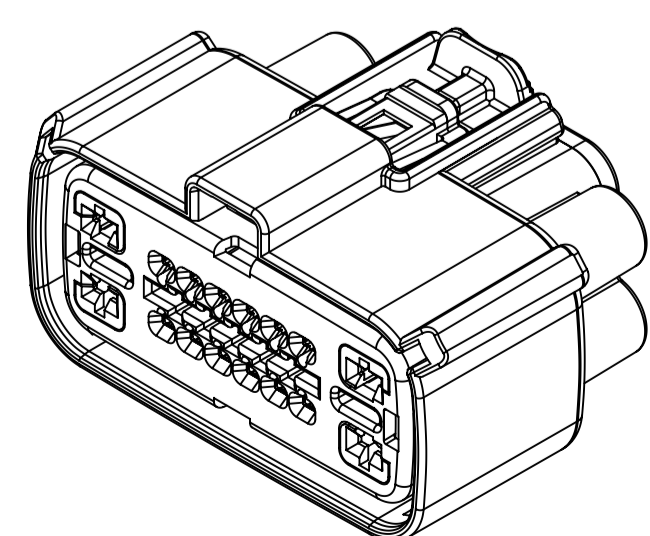
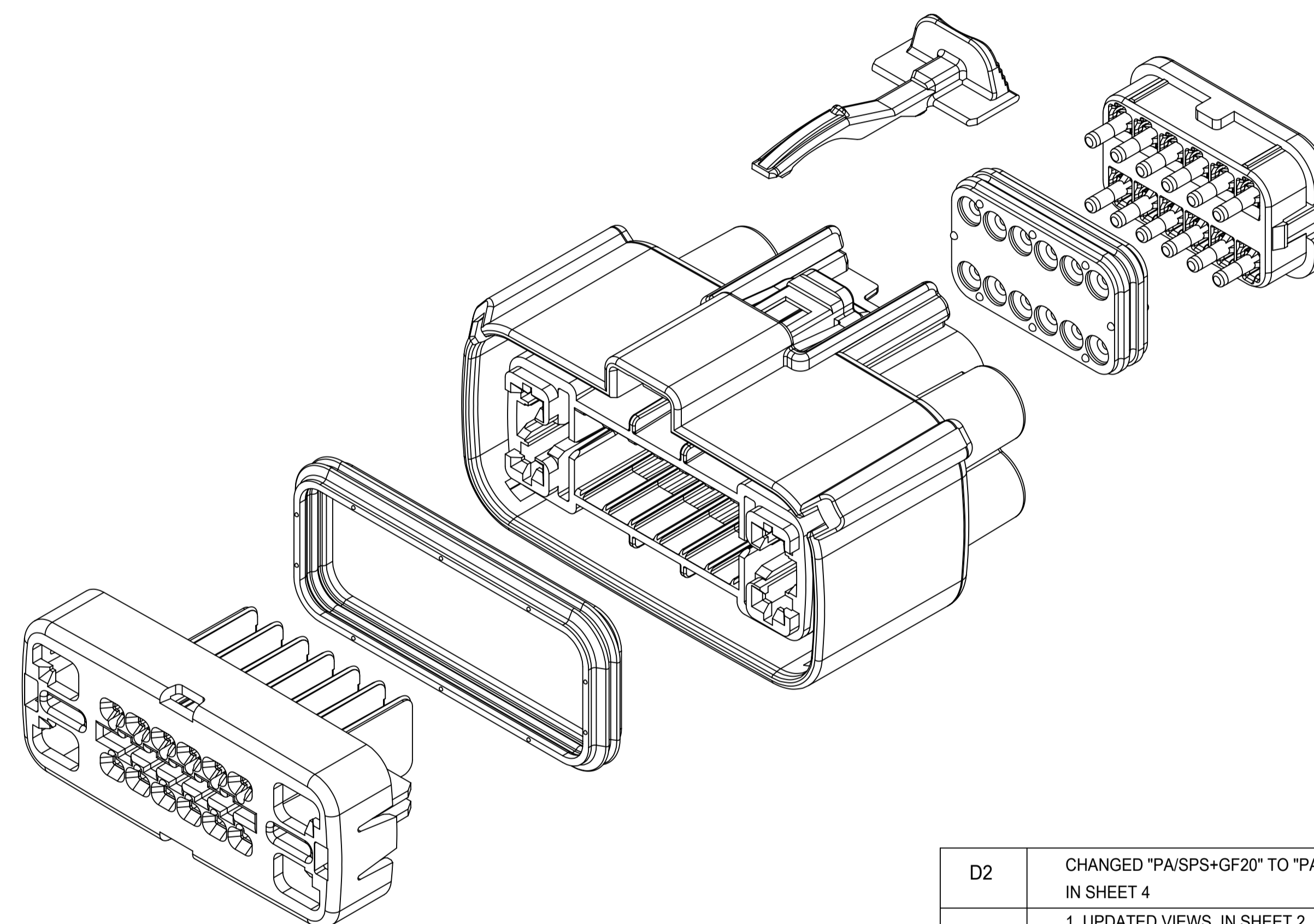
TABLE OF CONTENTS	
SHEET NO.	SHEET DESCRIPTION
1	NOTES AND BOM
2	CONFIGURATIONS
3	KEY CONFIGURATIONS
4	RECEPTACLE CONNECTOR ASSEMBLY

NOTES: VALID UNLESS OTHERWISE SPECIFIED

1. GENERAL:
- a. APPLICATION SPECIFICATION SEE: AS-33472-100
- CONTAINS: PRODUCT INTRODUCTION, PRODUCT SUMMARY, CONNECTOR ASSEMBLY, PACKAGING INFORMATION, CONNECTOR MATING, SERVICE INSTRUCTIONS, ELECTRICAL CONTINUITY CHECKING, CRIMPING, AND TROUBLESHOOTING.
 - DESIGNED TO MATE WITH DEVICE OR CONNECTOR AS SPECIFIED IN THE MATING INTERFACE/CONNECTOR DRAWINGS CHART.
 - *DENOTES DRAWINGS THAT CAN BE ACCESSED AT <http://ewcap.uscarteams.org/>.
 - ASSEMBLY SHIPPED WITH PLR IN PRE-LOCK POSITION (SEE PLR PRE-LOCK VIEW SHEET 4).
- b. PRODUCT SPECIFICATION SEE: PS-33476-000
- CONTAINS: PRODUCT INTRODUCTION, PRODUCT SUMMARY, RATINGS (CURRENT, TEMPERATURE, SEALING, AND FLAMMABILITY), TERMINALS, WIRE DIAMETER RANGE, PRODUCT VALIDATION, AND PRODUCT DEVIATIONS.
- c. PACKAGING SPECIFICATION PER MOLEX DRAWING: SEE PACKAGING CHART
- d. PARTS MUST BE IN COMPLIANCE TO MOLEX CHEMICAL SUBSTANCES FOR PRODUCTS AND PACKAGING SPECIFICATION: QEHS-699000-300
- e. DATA MUST BE SUBMITTED UNDER THE MOLEX PART NUMBER TO IMDS (COMPANY ID#13255)
2. DESIGN - MATERIALS:
- a. SEE BOM TABLE IN SD-34985-8002
3. DESIGN - GEOMETRY:
- a. THE 3-D CAD DATA IS BASIC (WITHOUT TOLERANCE) AND MASTER FOR THIS PART WITH THE EXCEPTION OF UNDERLINED DIMENSIONS. DIMENSIONAL INFORMATION NOT SHOWN ON THIS DRAWING IS DEFINED BY THE DATA FILE AT ITS LATEST REVISION.
- b. GEOMETRIC DIMENSIONS AND TOLERANCES PER ASME Y14.5M-2009
- c. EDGES AND UNDIMENSIONED DETAILS PER ISO13715
- d. CORNERS SHOWN AS SHARP TO BE R 0.2 MAX.
- e. LETTERING SHALL BE 0.15 MAX RAISED IN 0.25 MAX RECESS PAD. THIS INCLUDES RECYCLING CODE, CAVITY ID, VENDOR IDENTIFICATION, AND CUSTOMER MATERIAL NUMBER.
- f. VISUAL DEFECTS SHALL MEET COSMETIC STANDARD PS-45499-002 (Class B).
- g. LASER MARKING:
1. PART NUMBER
 2. DAY OF THE YEAR
 3. SHIFT
 4. YEAR
- FOR ADDITIONAL INFORMATION SEE SECTION 5 UNDER PROCEDURES IN ES-34735-008.

PACKAGING	
DESCRIPTION	DRAWING NO.
W/ CLIPSLOT	PK-30907-895
W/O CLIPSLOT	PK-31300-094

MATING INTERFACE/CONNECTOR DRAWINGS		
DESCRIPTION	INTERFACE DEFINITION	MOLEX INLINE
W/O SHORTING BAR	*999-S-016-2-Z02	SD-34986-8001
W/ SHORTING BAR	N/A	SD-34986-8001



INSPECTION NUMBER LOG	
LAST NUMBER:	11
ADDED:	
REMOVED:	

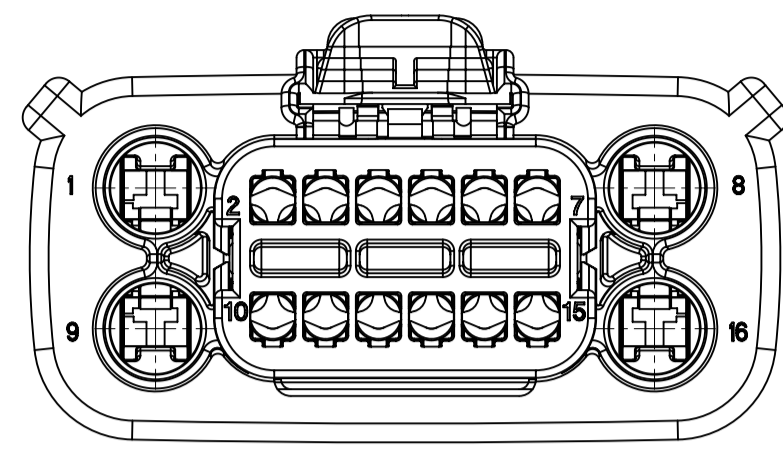
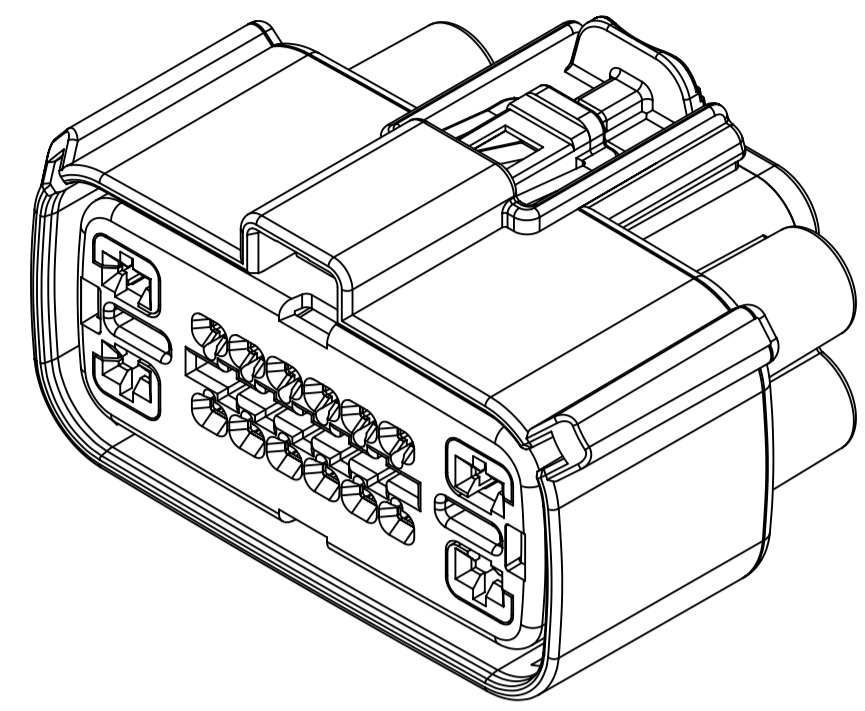
D2	CHANGED "PA/SPS+GF20" TO "PA/SPS-GF20" IN SHEET 4
D1	1. UPDATED VIEWS IN SHEET 2 2. CHANGED DIM 10.98 TO 11.00, 6.61 TO 6.60, 15.00+/-0.10 TO 15.00+0.30/-0.20 IN SHEET 4
D	REMOVED BOM (REFER TO SD-34985-8002)
C	NEW P/N 34985-4026 THRU 4028
B	NEW P/N 34985-4023 THRU 4025
A2	UPDATED PACKAGING DWGS
A1	FIXED TYPO IN NOTE 1a
A	INITIAL RELEASE
REV	REV DESCRIPTION

SYMBOLS		THIS DRAWING CONTAINS INFORMATION THAT IS PROPRIETARY TO MOLEX ELECTRONIC TECHNOLOGIES, LLC AND SHOULD NOT BE USED WITHOUT WRITTEN PERMISSION	
DIMENSION UNITS	SCALE	CURRENT REV DESC:	
mm	1.5:1	EC NO: 619601	
GENERAL TOLERANCES (UNLESS SPECIFIED)		DRWN: HKLIANG 2019/07/25	
ANGULAR TOL ± 3.0°		CHK'D: MVANSLAMBROU 2019/08/02	
4 PLACES ±		APPR: MVANSLAMBROU 2019/08/02	
3 PLACES ±		INITIAL REVISION:	
2 PLACES ± 0.1		DRWN: TYE 2014/09/12	
1 PLACE ± 0.3		APPR: VKOSHY 2014/09/22	
0 PLACES ±		THIRD ANGLE PROJECTION	
DRAFT WHERE APPLICABLE MUST REMAIN WITHIN DIMENSIONS		DRAWING	SERIES
		A1-SIZE	34985

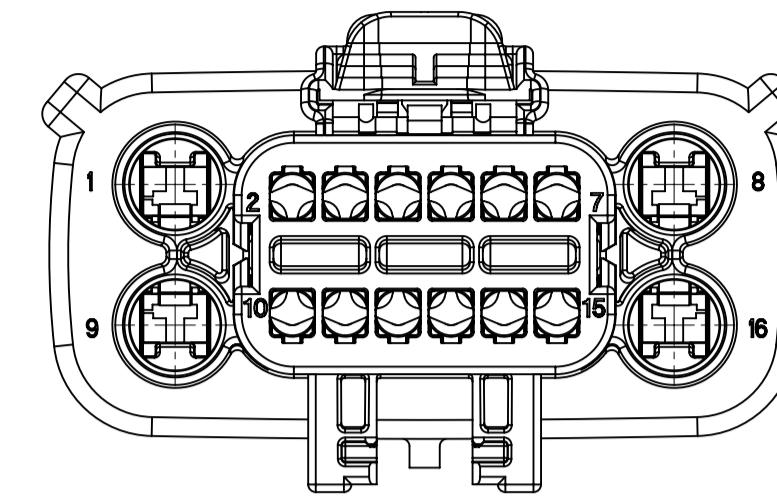
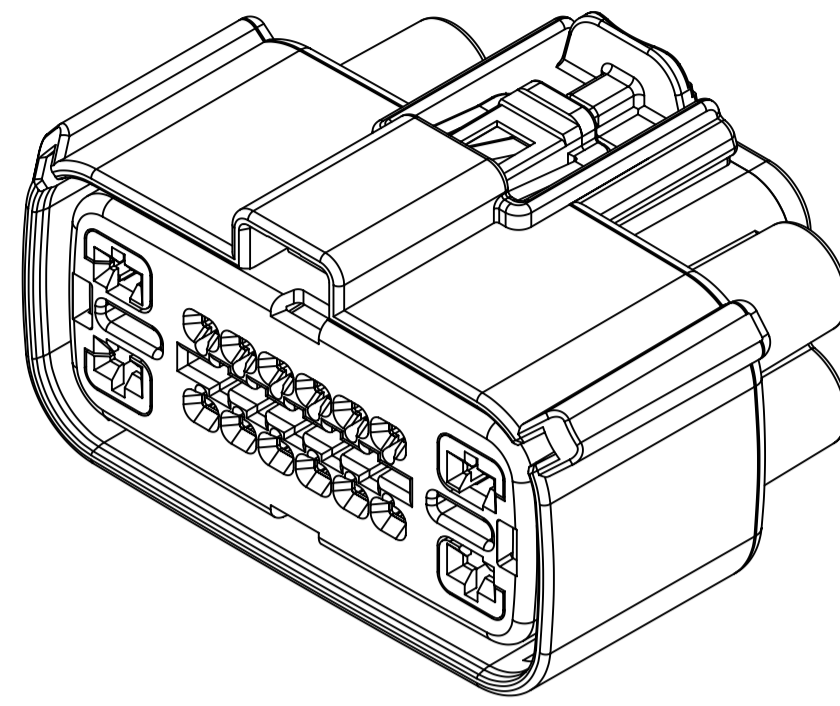
molex			
MX150 16 WAY HYBRID RECP T SEALED ASSEMBLY			
PRODUCT CUSTOMER DRAWING			
DOCUMENT NUMBER	DOC TYPE	DOC PART	REVISION
SD-34985-8001	PSD	001	D2
MATERIAL NUMBER	CUSTOMER		SHEET NUMBER
	GENERAL MARKET		1 OF 4

SHEET DESCRIPTION

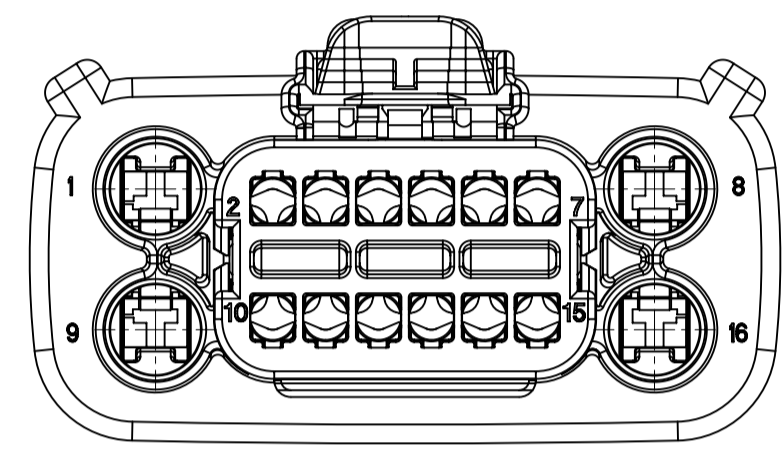
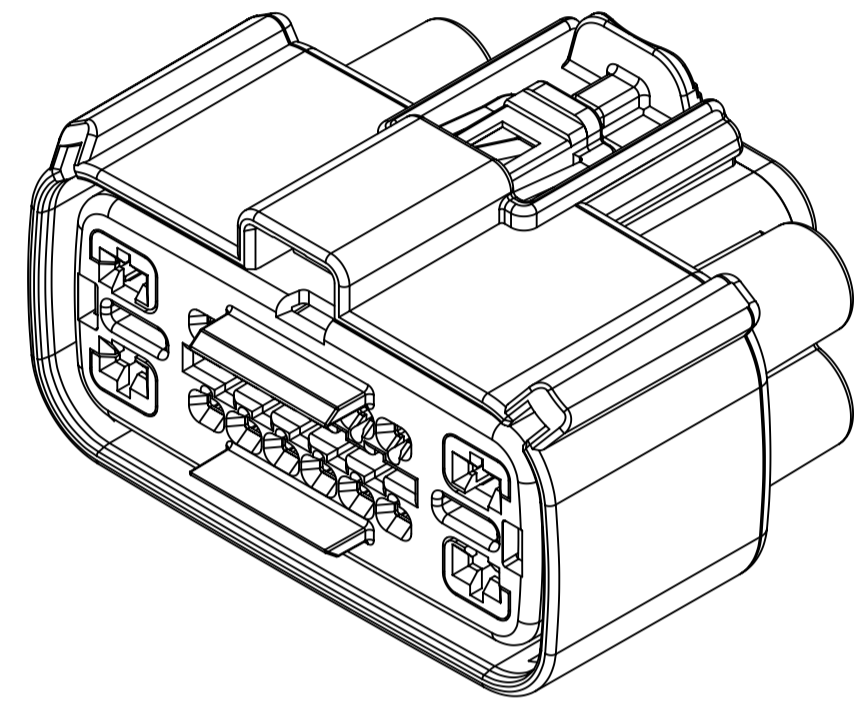
CONFIGURATIONS



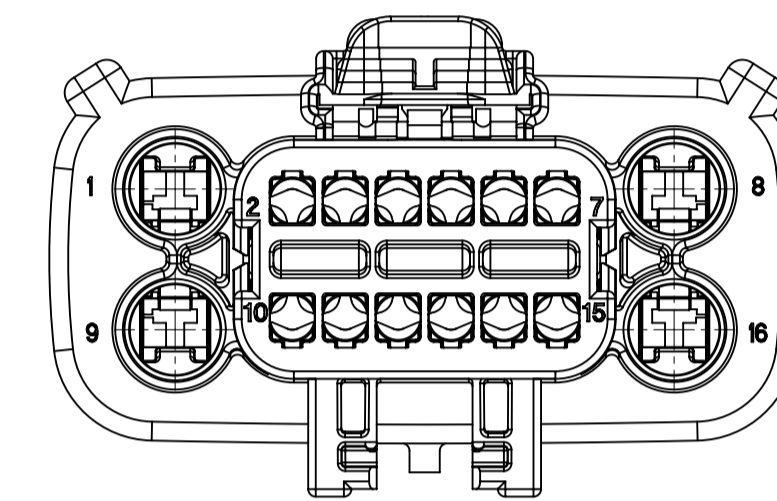
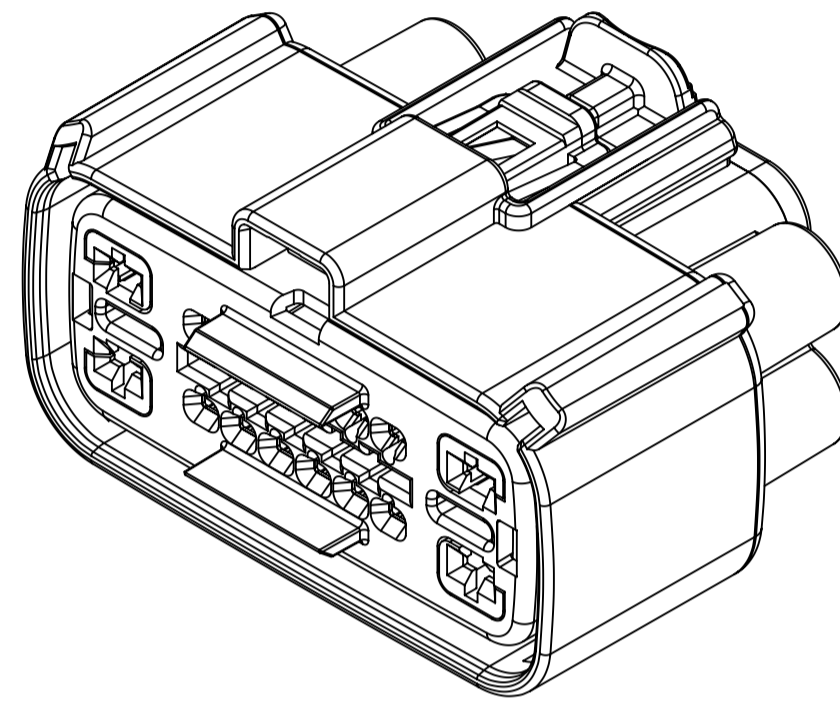
STANDARD (STD) - ALL OPEN 2.8mm CAVITIES



STANDARD (STD) - ALL OPEN 2.8mm CAVITIES WITH CLIPSLOT



SHORTING (SHRT) BAR - ALL OPEN 2.8mm CAVITIES

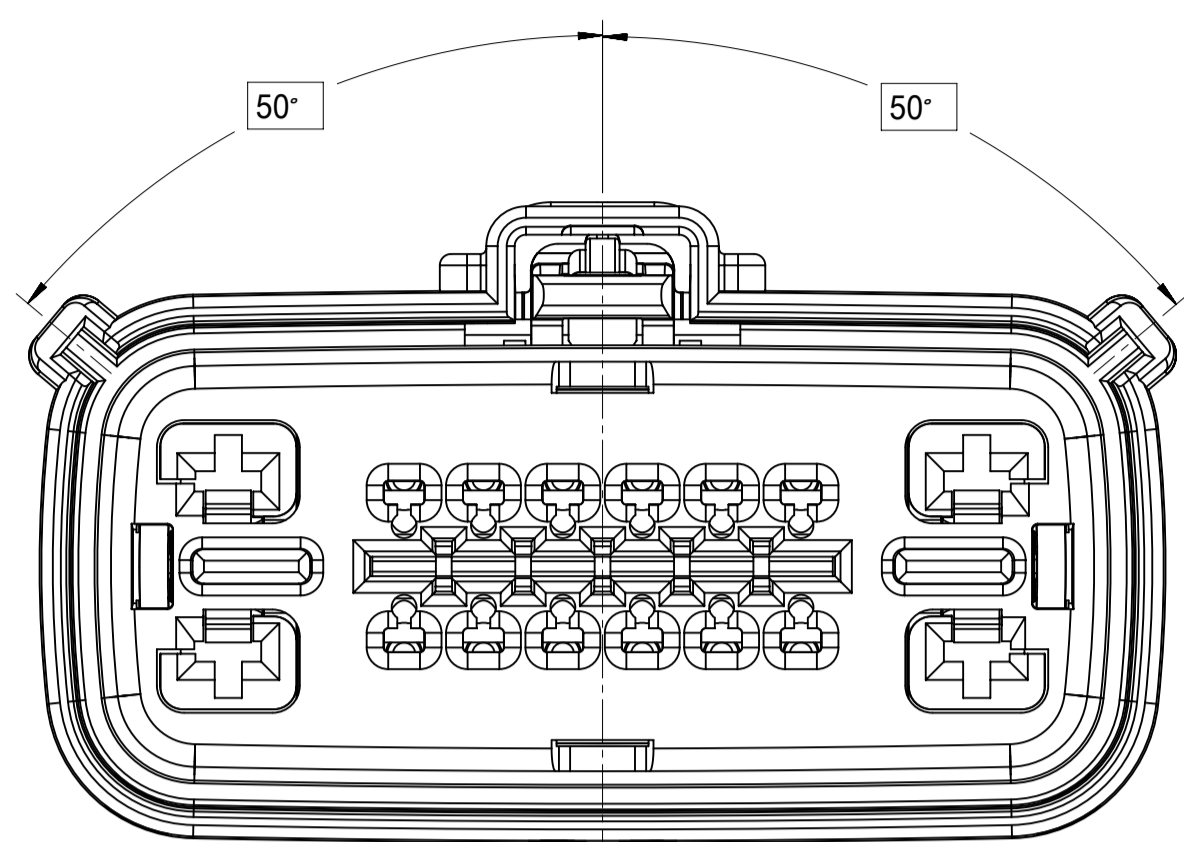


SHORTING (SHRT) BAR - ALL OPEN 2.8mm CAVITIES WITH CLIPSLOT

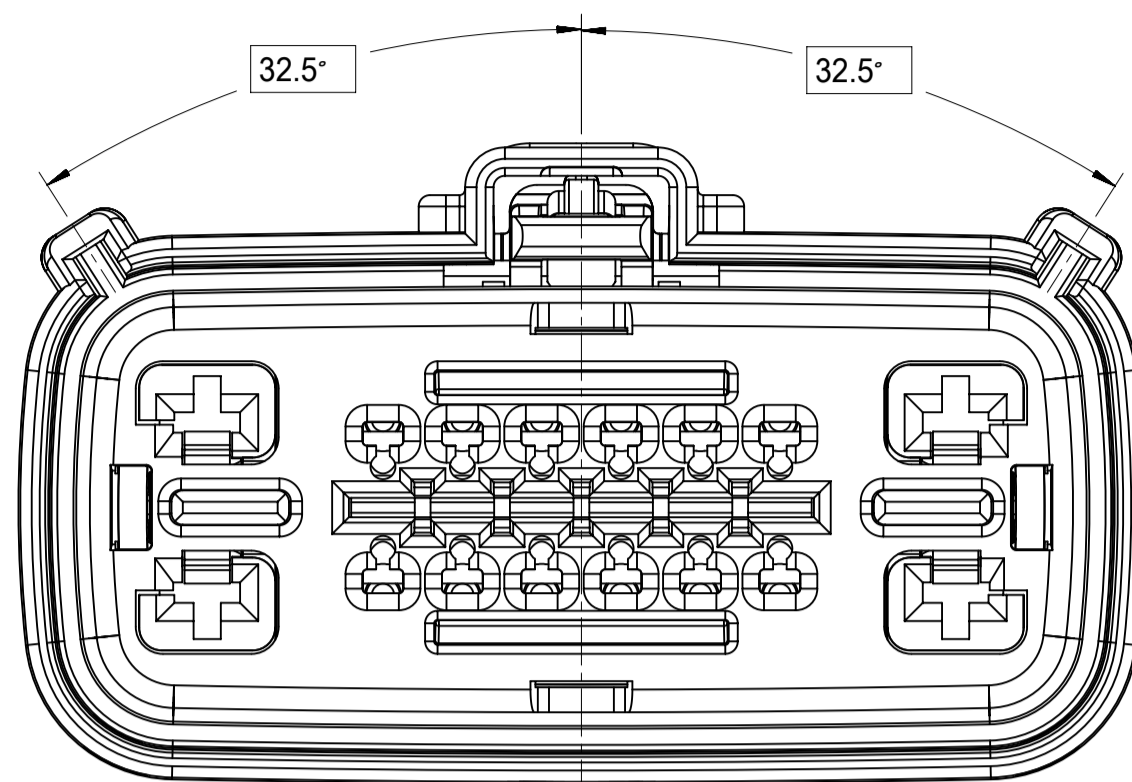
SYMBOLS = 0 = 0 = 0 = 0 = 0 = 0 = 0 = 0 = 0 = 0	THIS DRAWING CONTAINS INFORMATION THAT IS PROPRIETARY TO MOLEX ELECTRONIC TECHNOLOGIES, LLC AND SHOULD NOT BE USED WITHOUT WRITTEN PERMISSION DIMENSION UNITS: mm SCALE: 2:1	CURRENT REV DESC: EC NO: 619601 DRWN: HKLIANG 2019/07/25 CHK'D: MVANSLAMBROU 2019/08/02 APPR: MVANSLAMBROU 2019/08/02				
	GENERAL TOLERANCES (UNLESS SPECIFIED) ANGULAR TOL ± 3.0°	INITIAL REVISION: DRWN: TYE 2014/09/12 APPR: VKOSHY 2014/09/22	MX150 16 WAY HYBRID RECPT SEALED ASSEMBLY			
PRODUCT CUSTOMER DRAWING			DOCUMENT NUMBER SD-34985-8001	DOC TYPE PSD	DOC PART 001	REVISION D2
DRAFT WHERE APPLICABLE MUST REMAIN WITHIN DIMENSIONS		THIRD ANGLE PROJECTION 	DRAWING A1-SIZE	SERIES 34985	MATERIAL NUMBER GENERAL MARKET	SHEET NUMBER 2 OF 4

SHEET DESCRIPTION

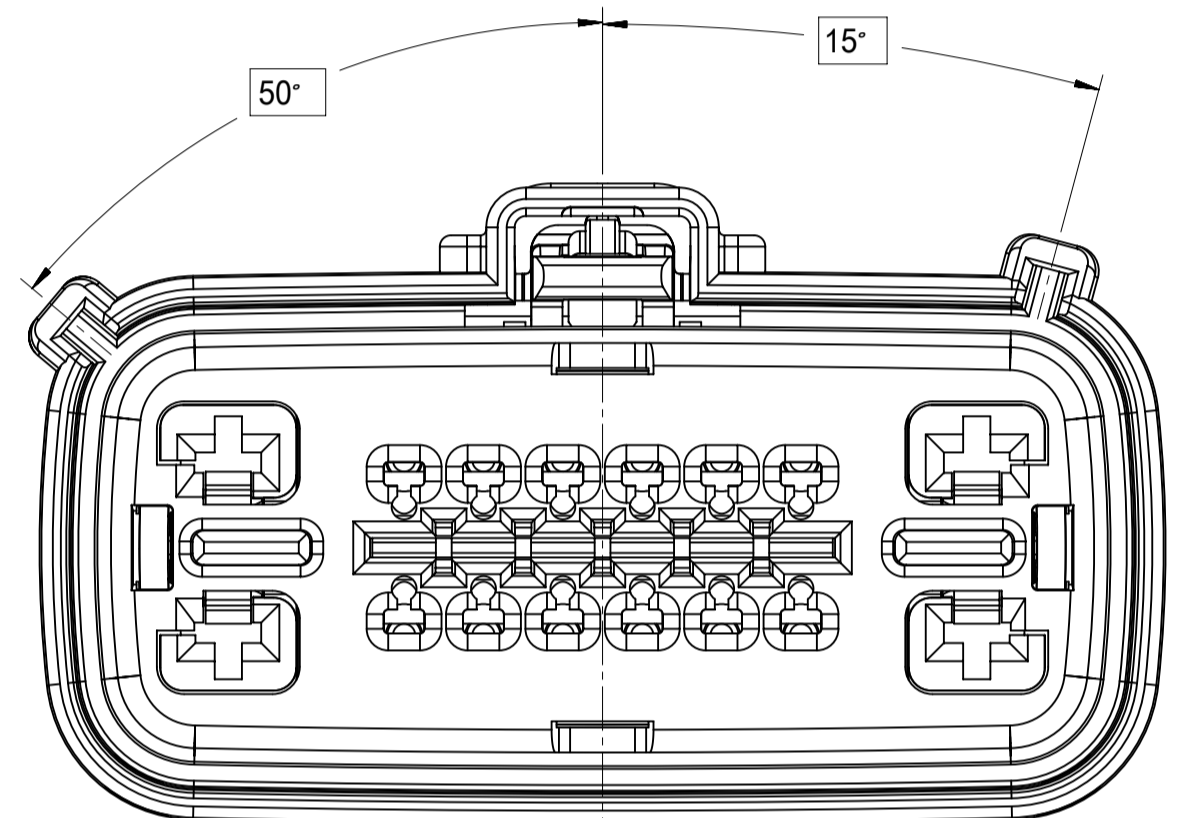
KEY CONFIGURATIONS



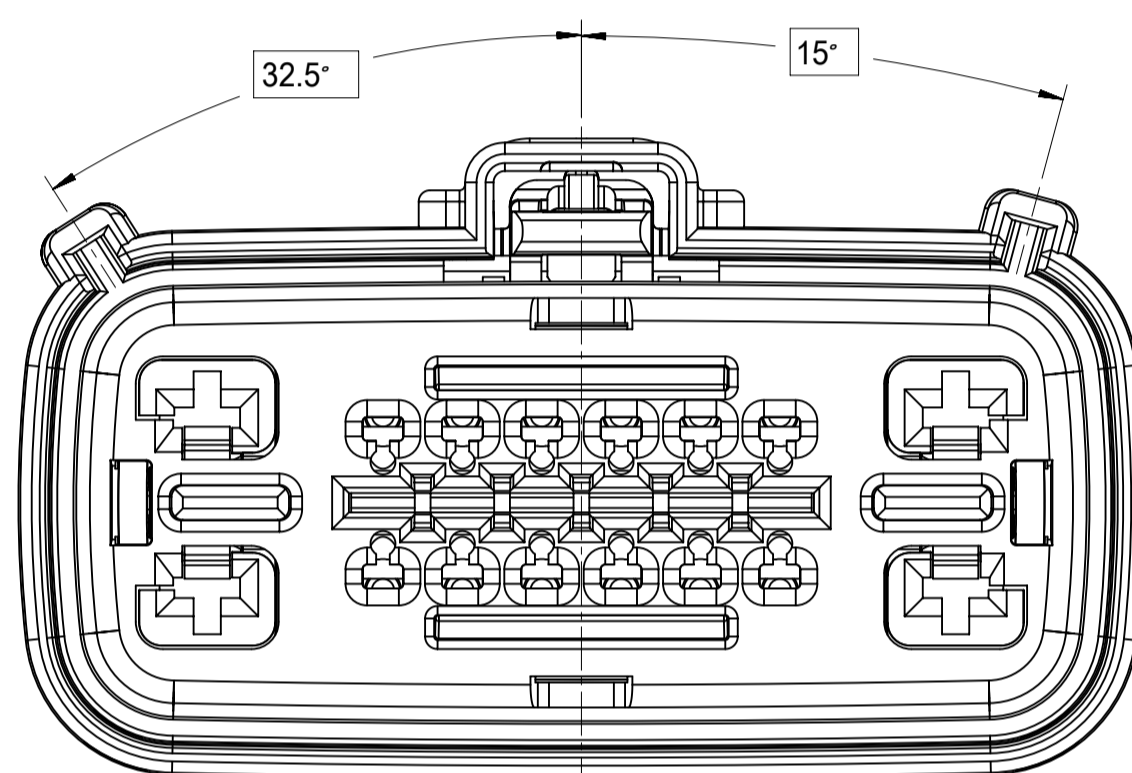
KEY A



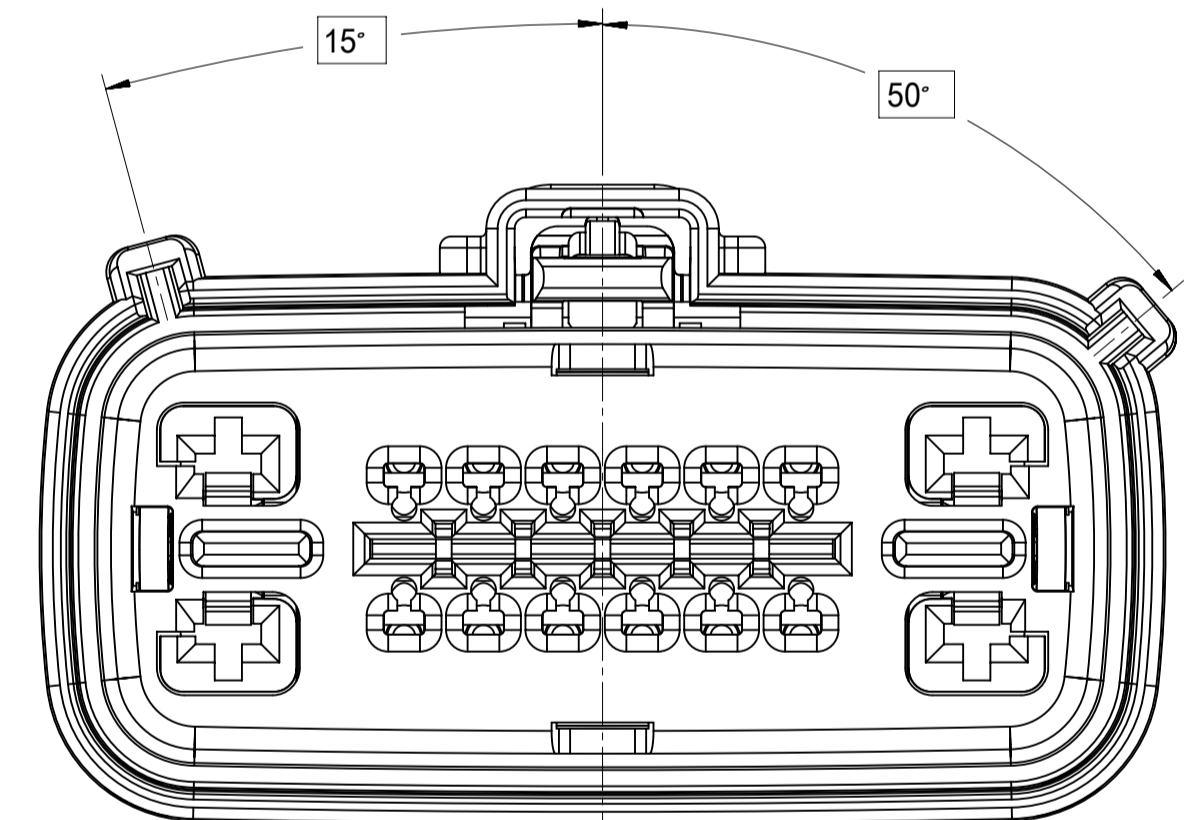
KEY E



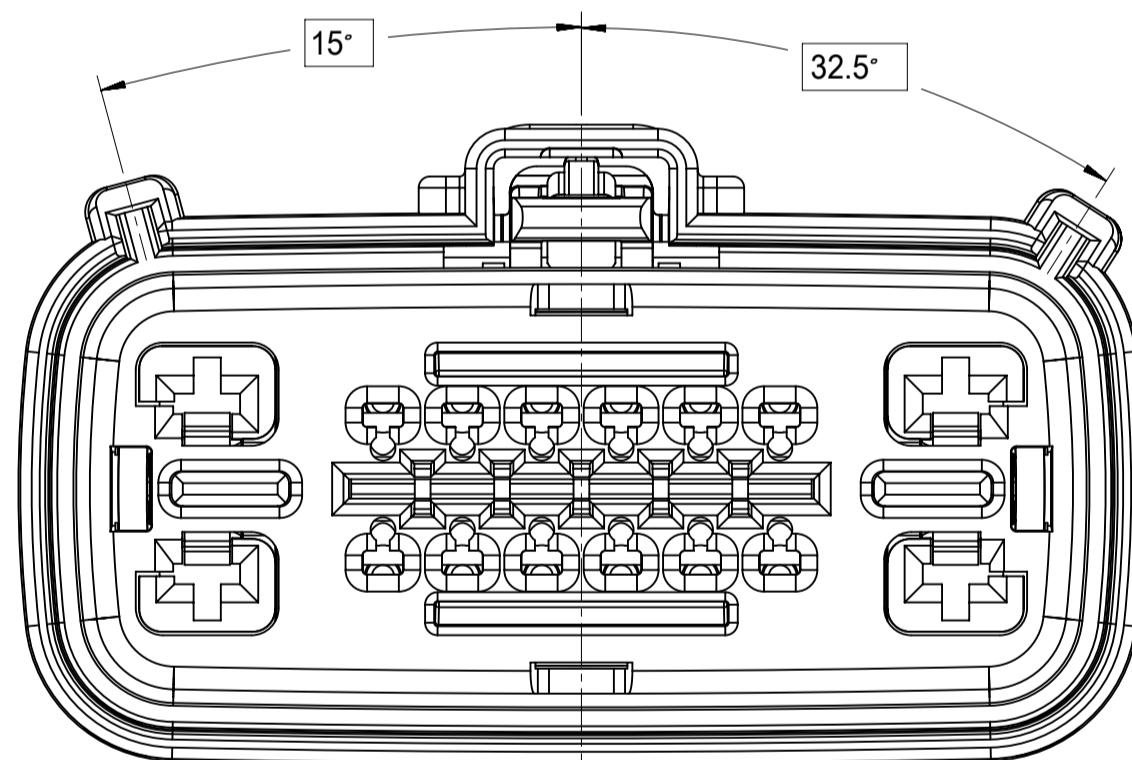
KEY B



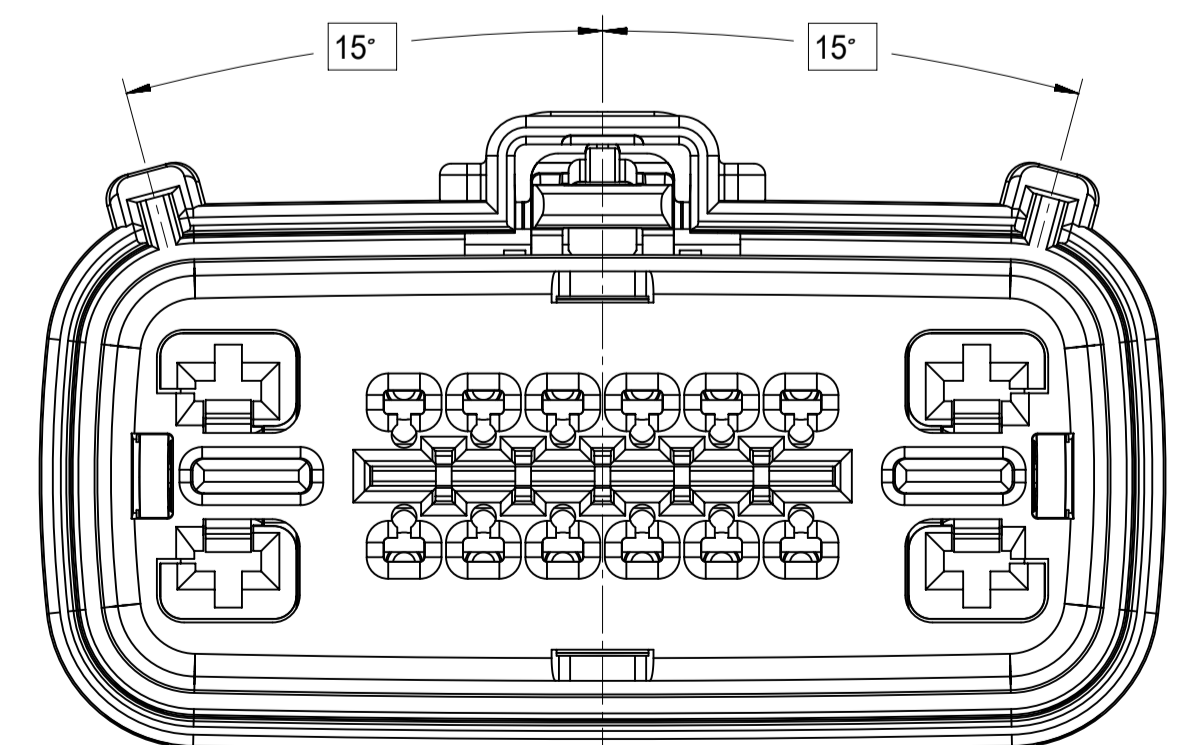
KEY F



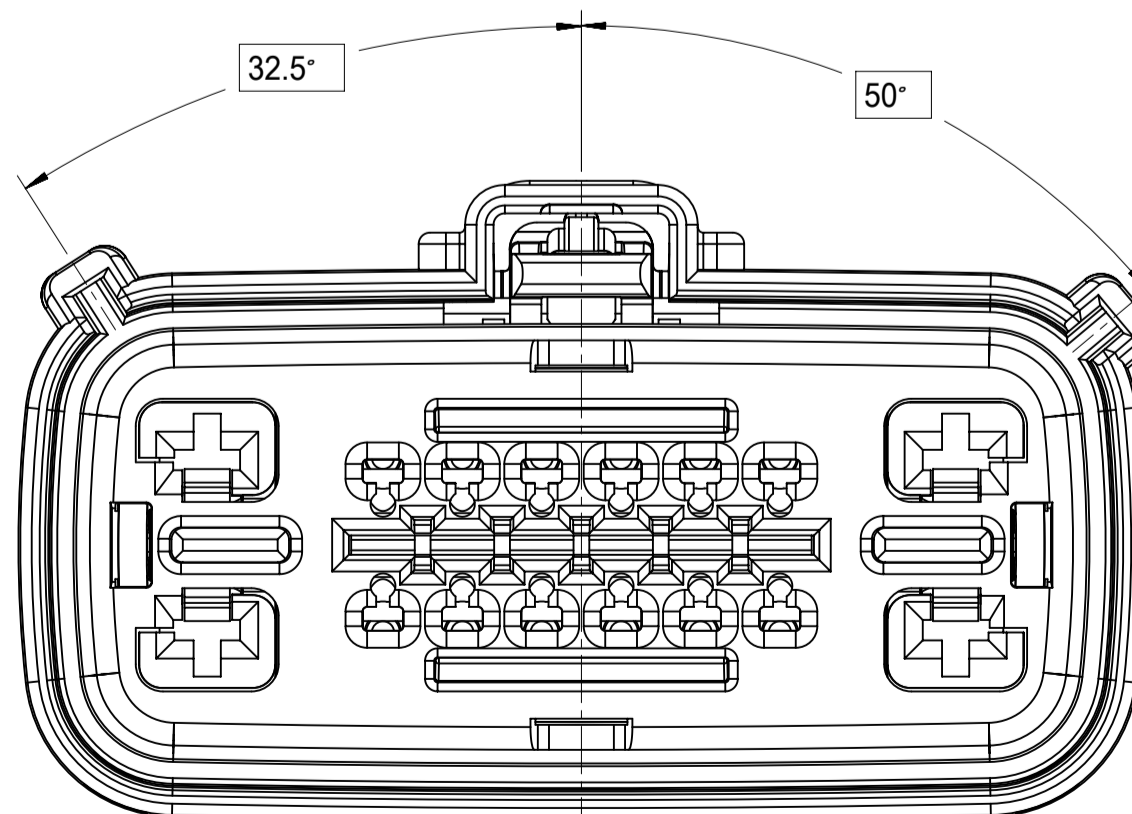
KEY C



KEY G



KEY D

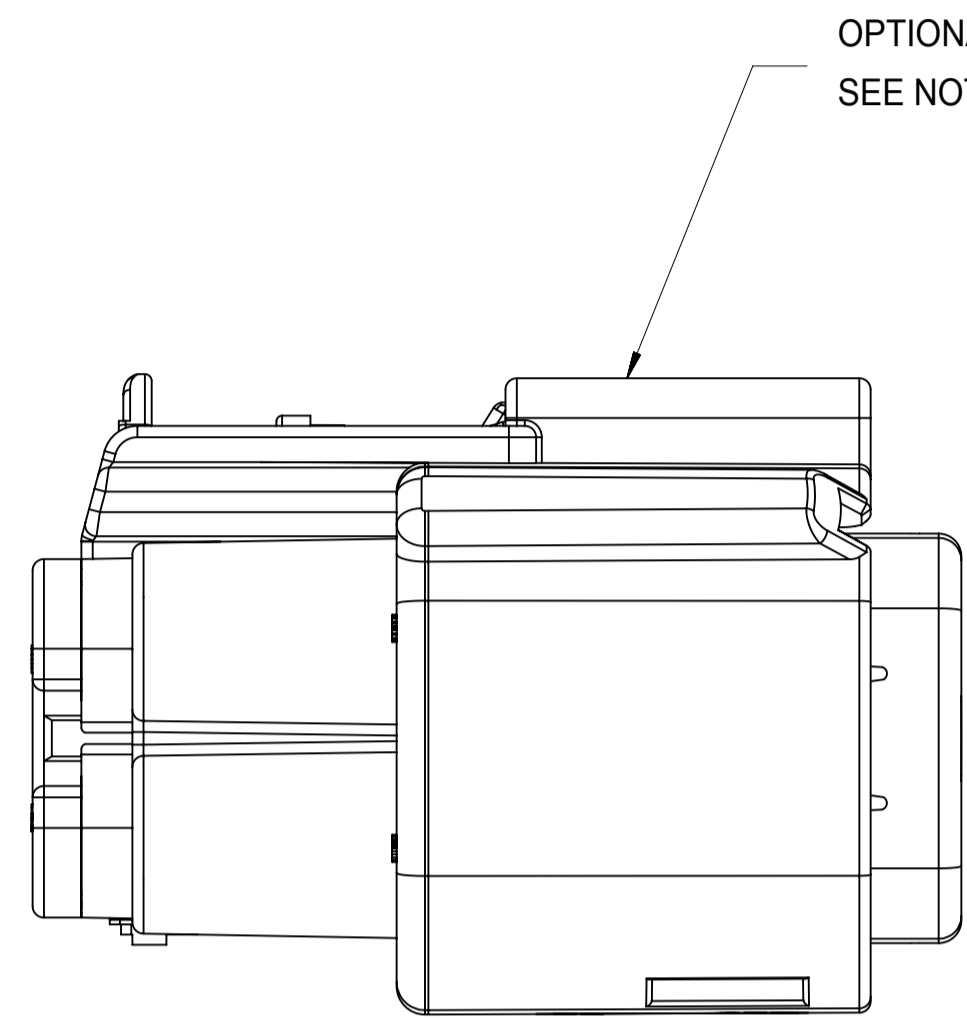


KEY H

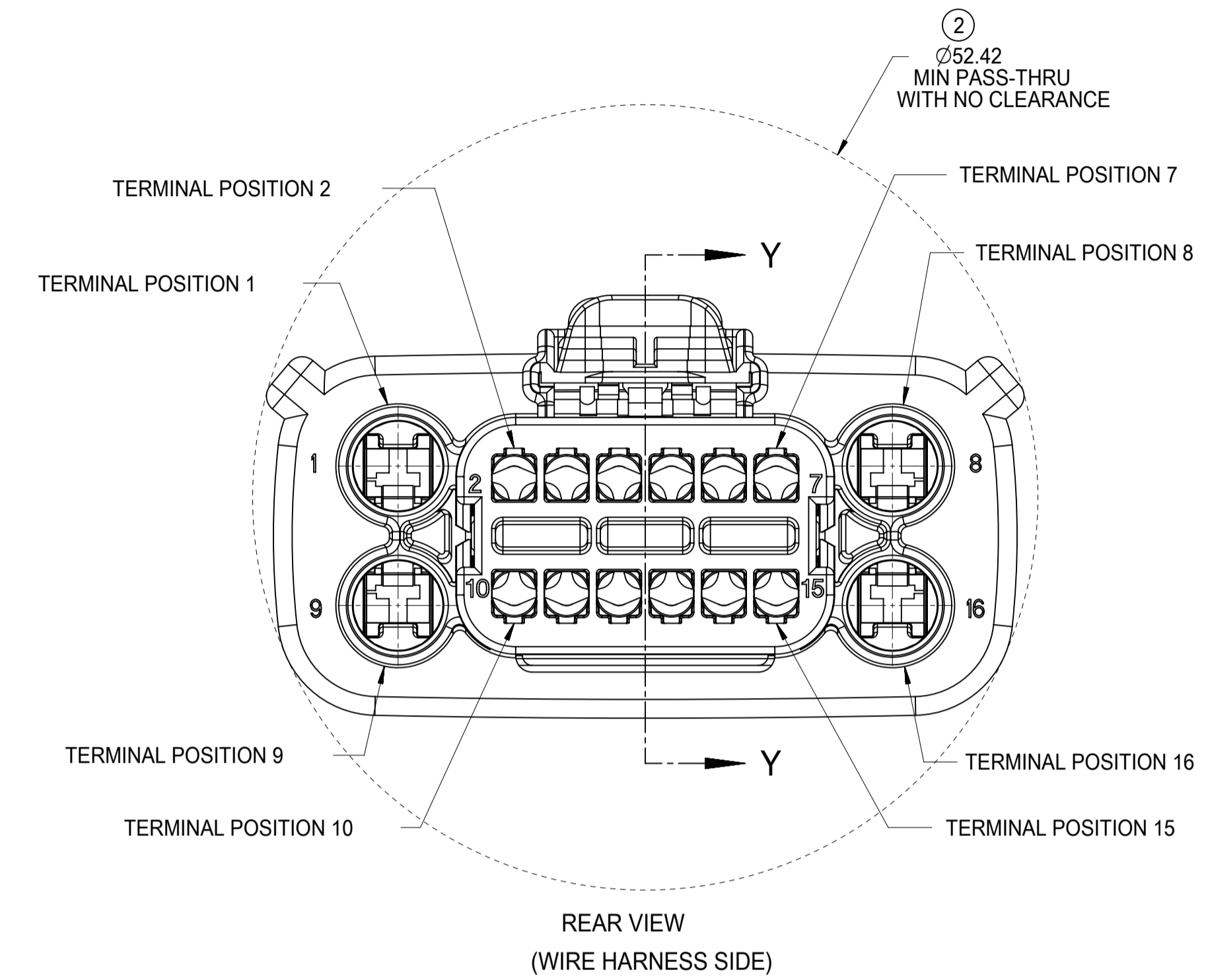
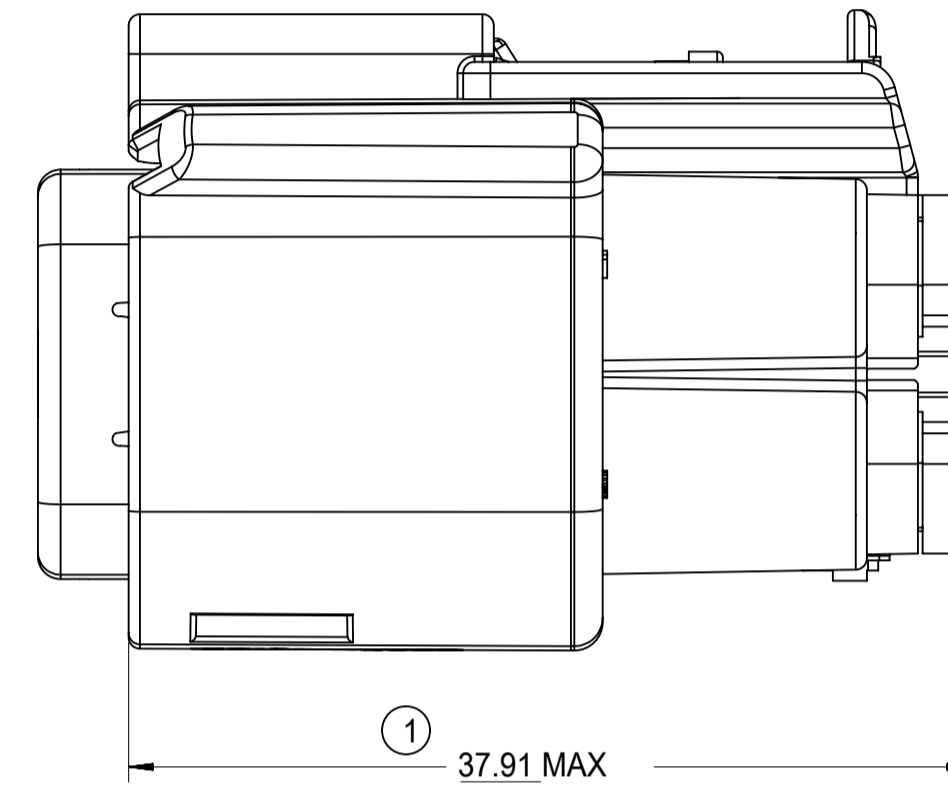
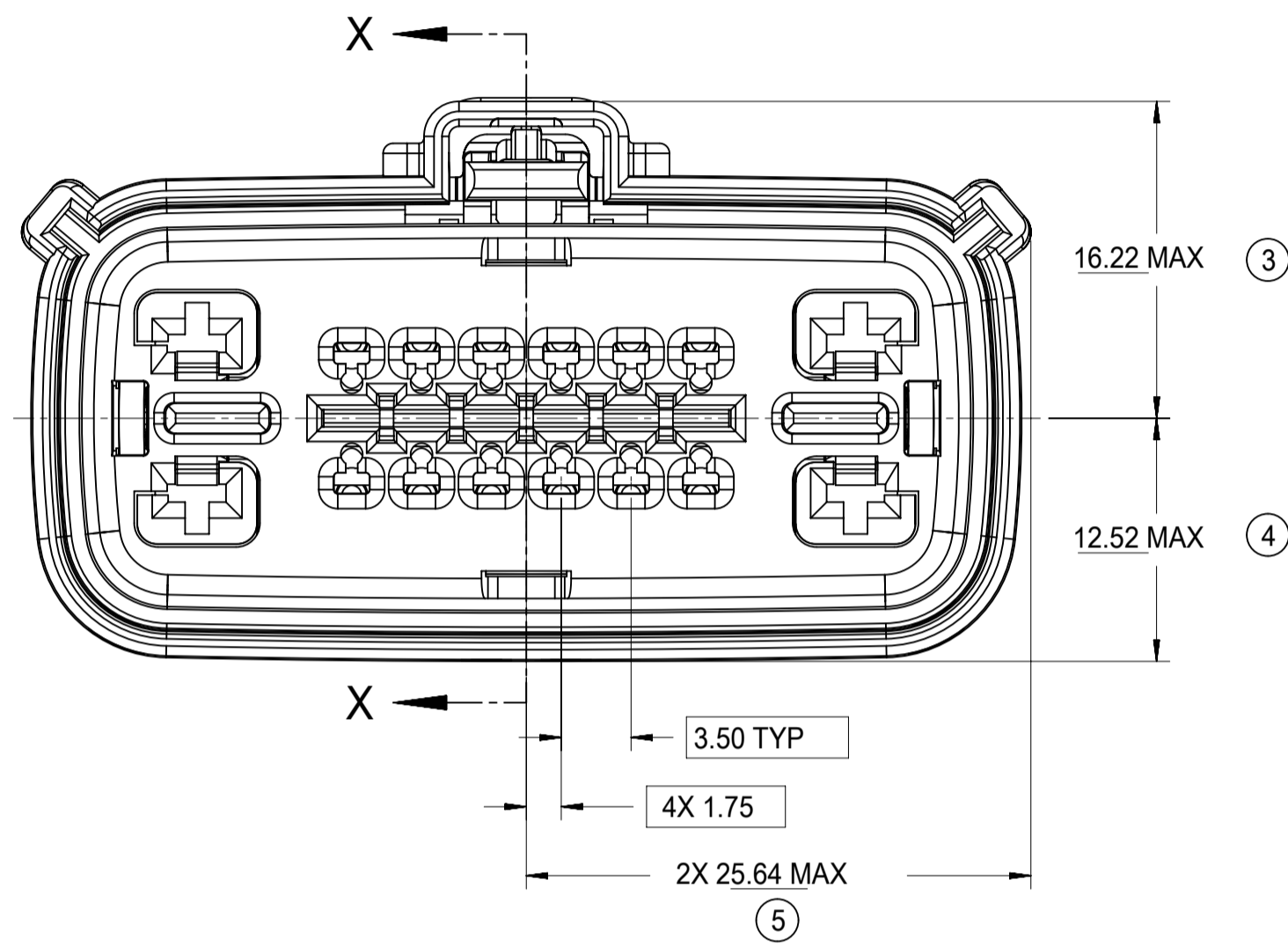
SYMBOLS	THIS DRAWING CONTAINS INFORMATION THAT IS PROPRIETARY TO MOLEX ELECTRONIC TECHNOLOGIES, LLC AND SHOULD NOT BE USED WITHOUT WRITTEN PERMISSION		CURRENT REV DESC:				
	DIMENSION UNITS	SCALE					
▽ = 0	mm	3:1	GENERAL TOLERANCES (UNLESS SPECIFIED)		CHK'D: MVANSLAMBROU	2019/08/02	PRODUCT CUSTOMER DRAWING
▽ = 0	ANGULAR TOL ± 3.0°		4 PLACES ±		APPR: MVANSLAMBROU	2019/08/02	
▽ = 0	3 PLACES ±		INITIAL REVISION:		DRWN: TYE	2014/09/12	DOCUMENT NUMBER
▽ = 0	2 PLACES ± 0.1		1 PLACE ± 0.3		APPR: VKOSHY	2014/09/22	SD-34985-8001
▽ = 0	1 PLACE ± 0.3		0 PLACES ±		THIRD ANGLE PROJECTION	DRAWING	DOC TYPE DOC PART REVISION
⊠ = 0	DRAFT WHERE APPLICABLE MUST REMAIN WITHIN DIMENSIONS		THIRD ANGLE PROJECTION		A1-SIZE	SERIES	PSD 001 D2
■ = 0					34985	MATERIAL NUMBER	CUSTOMER
▽ = 0							GENERAL MARKET
							SHEET NUMBER
							3 OF 4

SHEET DESCRIPTION

RECEPTACLE CONNECTOR ASSEMBLY



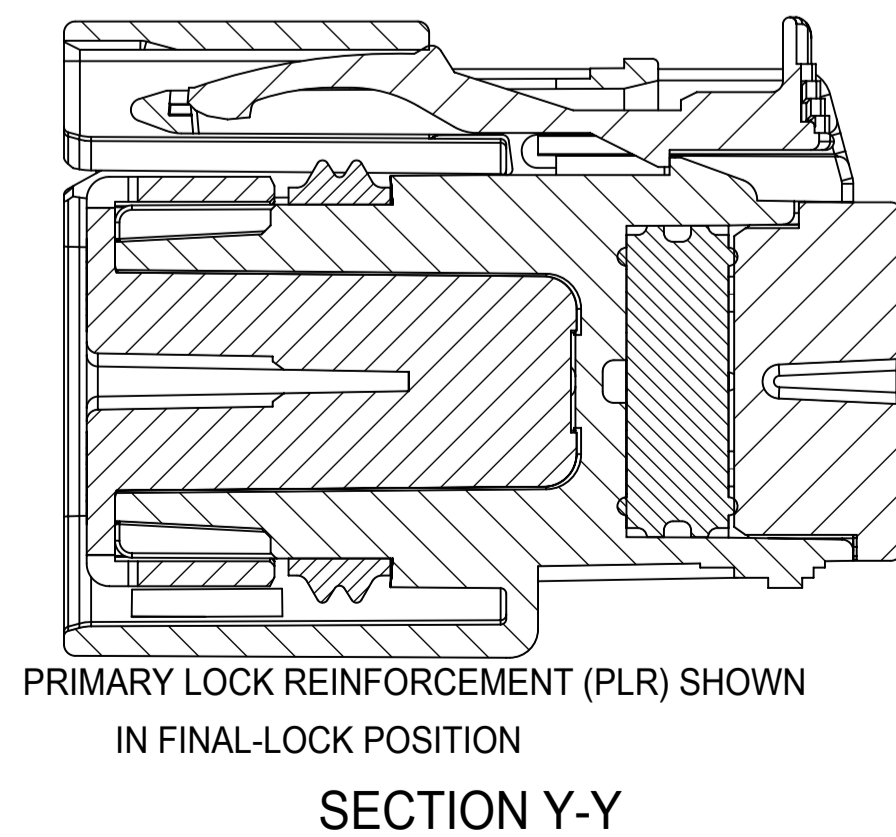
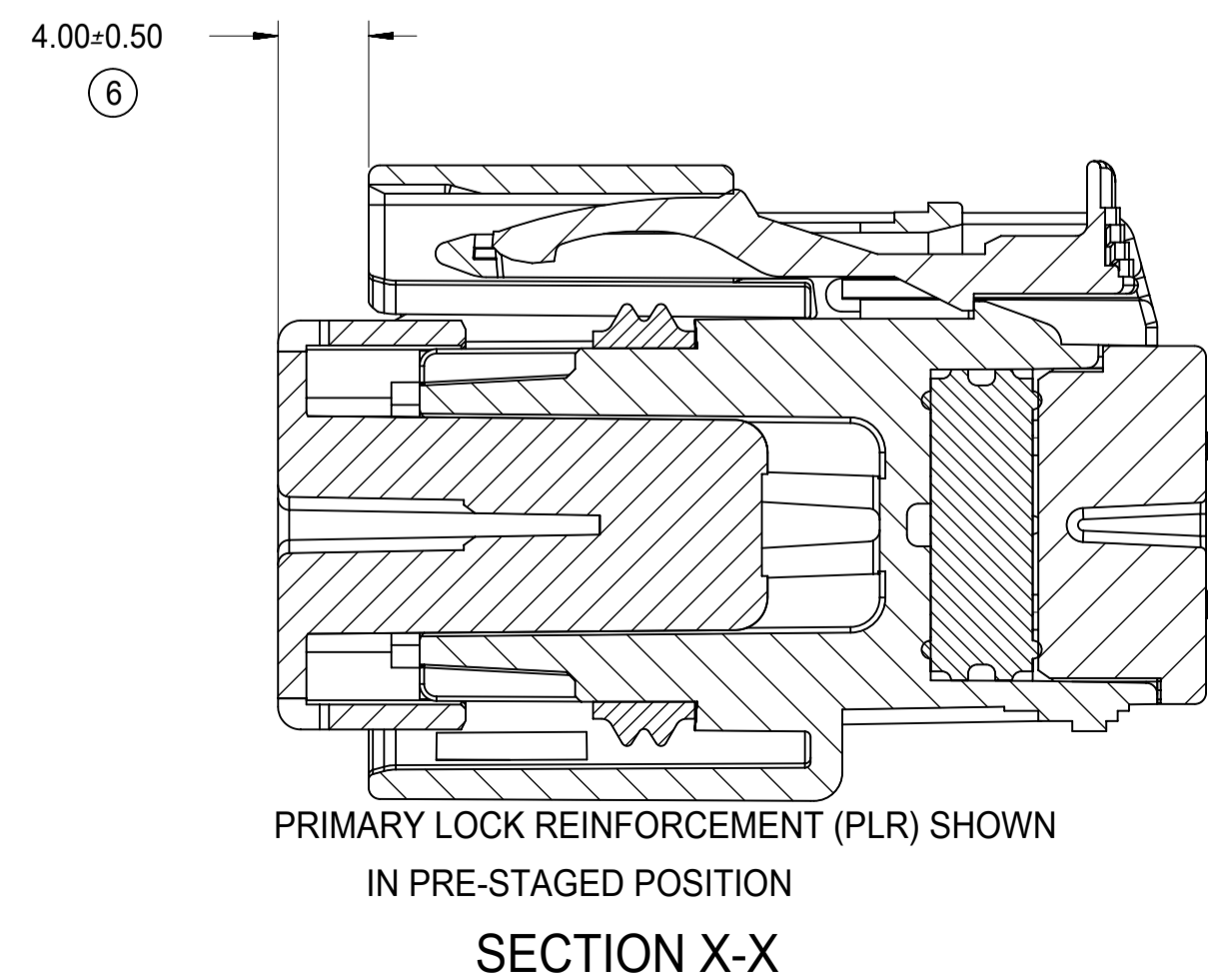
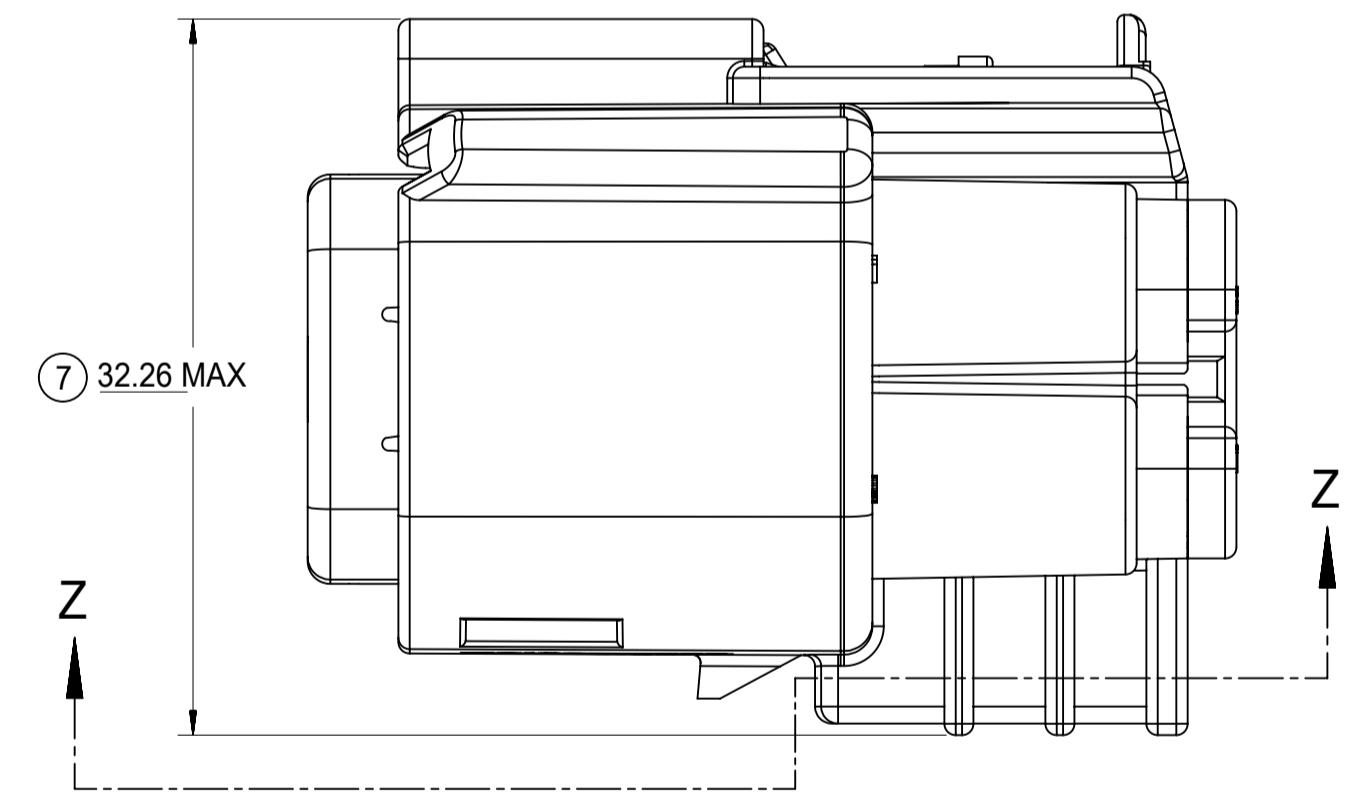
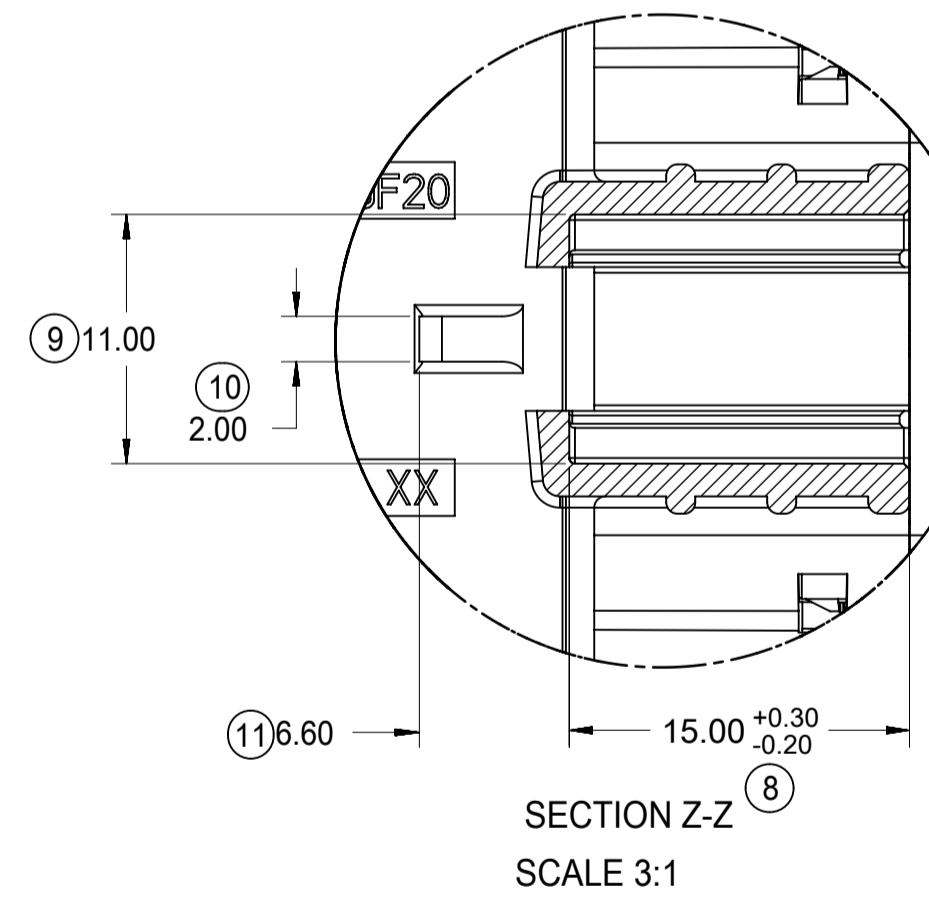
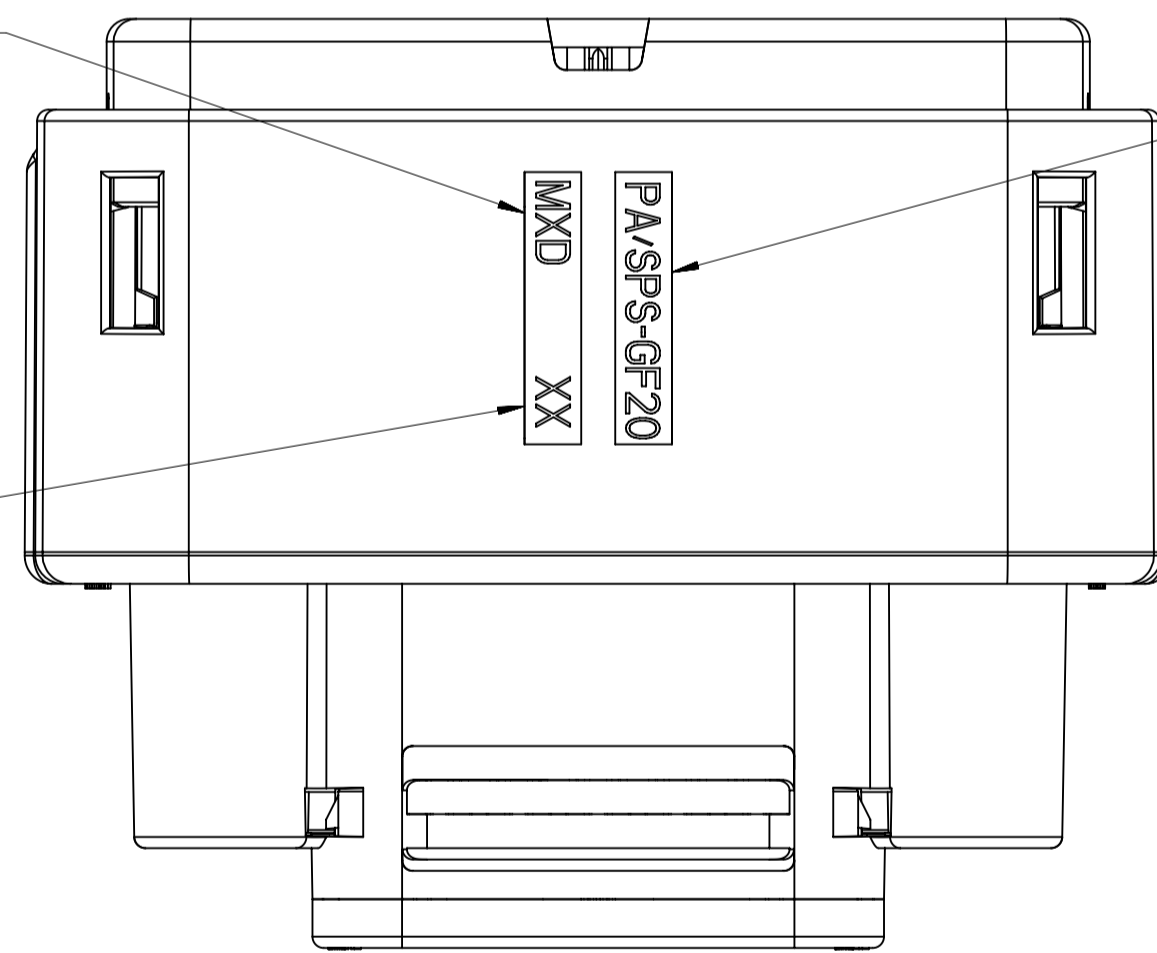
OPTIONAL LASER MARKING ON THIS SURFACE
SEE NOTE 3g.



MANUFACTURING LOCATION
CODE THIS LOCATION

RECYCLE CODE
THIS LOCATION

MOLD CAVITY I.D.
THIS LOCATION



SYMBOLS		THIS DRAWING CONTAINS INFORMATION THAT IS PROPRIETARY TO MOLEX ELECTRONIC TECHNOLOGIES, LLC AND SHOULD NOT BE USED WITHOUT WRITTEN PERMISSION		CURRENT REV DESC:		molex	
▽ = 0	mm	SCALE	3:1	EC NO: 619601		MX150 16 WAY HYBRID RECPT SEALED ASSEMBLY	
▽ = 0	GENERAL TOLERANCES (UNLESS SPECIFIED)			DRWN: HKLIANG	2019/07/25	PRODUCT CUSTOMER DRAWING	
▽ = 0	ANGULAR TOL ± 3.0°			CHK'D: MVANSLAMBROU	2019/08/02	DOCUMENT NUMBER	
▽ = 0	4 PLACES	±		APPR: MVANSLAMBROU	2019/08/02	DOC TYPE DOC PART REVISION	
▽ = 0	3 PLACES	±		INITIAL REVISION:		SD-34985-8001	
▽ = 0	2 PLACES	± 0.1		DRWN: TYE	2014/09/12	PSD 001 D2	
▽ = 0	1 PLACE	± 0.3		APPR: VKOSHY	2014/09/22	MATERIAL NUMBER	
▽ = 0	0 PLACES	±		DRAFT WHERE APPLICABLE MUST REMAIN WITHIN DIMENSIONS		CUSTOMER	
▽ = 0	THIRD ANGLE PROJECTION			DRAWING		SHEET NUMBER	
▽ = 0	A1-SIZE			SERIES		GENERAL MARKET	
				34985		4 OF 4	

BOM AND PIN OUT SHEET

ASSEMBLY DESCRIPTION	ASSEMBLY PART NUMBER	COMPONENT							BLOCKED TERMINALS																STATUS	COMMENTS	OPTIONAL ATTACHMENTS SOLD SEPERATELY		
		THE PRESENCE OF AN ABBREVIATION INDICATES THE PRESENCE OF THAT COMPONENT.							CAVITY WITH A NUMBER INDICATES BLOCKED TERMINAL POSITION CAVITY WITHOUT A NUMBER INDICATES OPEN TERMINAL POSITION																		BACKSHELL WITH RIBS	BACKSHELL WITHOUT RIBS	
		HOUSING KEY/COLOR	GROMMET CAP	PLR	CPA	MAT SEAL	RING SEAL	1	2	3	4	5	6	7	8	9	10	11	12	13	14	15	16						
KEY A, BLACK, W/O CPA	34985-2140	A-BLK	GC	PLR		M	R											10	11	12	13		15	SALEABLE		NOT AVAILABLE	NOT AVAILABLE		
KEY A, BLACK, W/O CPA	34985-2142	A-BLK	GC	PLR		M	R											10	11		13	14	15		SALEABLE		NOT AVAILABLE	NOT AVAILABLE	
KEY A, BLACK, W/O CPA	34985-2143	A-BLK	GC	PLR		M	R											10	11						SALEABLE		NOT AVAILABLE	NOT AVAILABLE	
KEY A, BLACK, W/CPA	34985-2144	A-BLK	GC	PLR	CPA	M	R											10	11	12					SALEABLE		NOT AVAILABLE	NOT AVAILABLE	
KEY B, LIGHT GRAY, W/O CPA	34985-2145	B-LG	GC	PLR		M	R											10	11	12	13	14	15		SALEABLE		NOT AVAILABLE	NOT AVAILABLE	
KEY A, BLACK, W/CPA	34985-2146	A-BLK	GC	PLR	CPA	M	R											10	11	12		14	15		SALEABLE		NOT AVAILABLE	NOT AVAILABLE	
KEY A, BLACK, W/CPA	34985-2147	A-BLK	GC	PLR	CPA	M	R											10	11						SALEABLE		NOT AVAILABLE	NOT AVAILABLE	
KEY A, BLACK, W/CPA	34985-2148	A-BLK	GC	PLR	CPA	M	R											10	11	12		14	15		SALEABLE		NOT AVAILABLE	NOT AVAILABLE	
KEY A, BLACK, W/O CPA	34985-2149	A-BLK	GC	PLR		M	R											10	11						SALEABLE		NOT AVAILABLE	NOT AVAILABLE	
KEY A, BLACK, W/CPA	34985-2150	A-BLK	GC	PLR	CPA	M	R											10	11						SALEABLE		NOT AVAILABLE	NOT AVAILABLE	
KEY A, BLACK, W/O CPA	34985-2151	A-BLK	GC	PLR		M	R											10	11	12		14	15		SALEABLE		NOT AVAILABLE	NOT AVAILABLE	
KEY A, BLACK, W/O CPA	34985-2152	A-BLK	GC	PLR		M	R											10	11						SALEABLE		NOT AVAILABLE	NOT AVAILABLE	
KEY A, BLACK, W/O CPA	34985-2153	A-BLK	GC	PLR		M	R											10	11	12		14	15		SALEABLE		NOT AVAILABLE	NOT AVAILABLE	
KEY A, BLACK, W/CPA	34985-2154	A-BLK	GC	PLR	CPA	M	R											10	11	12		14	15		SALEABLE		NOT AVAILABLE	NOT AVAILABLE	
KEY A, BLACK, W/O CPA	34985-2155	A-BLK	GC	PLR		M	R											10	11						SALEABLE		NOT AVAILABLE	NOT AVAILABLE	
KEY A, BLACK, W/O CPA	34985-2156	A-BLK	GC	PLR		M	R											10	11						SALEABLE		NOT AVAILABLE	NOT AVAILABLE	
KEY D, STONE GRAY, W/O CPA	34985-2157	D-SG	GC	PLR		M	R											10	11						SALEABLE		NOT AVAILABLE	NOT AVAILABLE	
KEY A, BLACK, W/O CPA	34985-2158	A-BLK	GC	PLR		M	R											10	11						SALEABLE		NOT AVAILABLE	NOT AVAILABLE	
KEY A, BLACK, W/O CPA	34985-2159	A-BLK	GC	PLR		M	R											10	11						SALEABLE		NOT AVAILABLE	NOT AVAILABLE	
KEY C, DARK GRAY, W/CPA	34985-2160	C-DG	GC	PLR	CPA	M	R											10	11	12		14	15		SALEABLE		NOT AVAILABLE	NOT AVAILABLE	
KEY A, YELLOW, W/CPA	34985-2161	A-YW	GC	PLR	CPA	M	R											10	11						SALEABLE		NOT AVAILABLE	NOT AVAILABLE	
KEY A, BLACK, W/CPA	34985-2162	A-BLK	GC	PLR	CPA	M	R											10	11				15		SALEABLE		NOT AVAILABLE	NOT AVAILABLE	
KEY B, LIGHT GRAY, W/CPA	34985-2163	B-LG	GC	PLR	CPA	M	R											10	11			14			SALEABLE		NOT AVAILABLE	NOT AVAILABLE	
KEY B, LIGHT GRAY, W/O CPA	34985-2164	B-LG	GC	PLR		M	R											10	11			14			SALEABLE		NOT AVAILABLE	NOT AVAILABLE	
KEY A, BLACK, W/CPA	34985-2165	A-BLK	GC	PLR	CPA	M	R											10	11		12	13	14	15		SALEABLE		NOT AVAILABLE	NOT AVAILABLE
KEY A, BLACK, W/CPA	34985-2166	A-BLK	GC	PLR	CPA	M	R											10	11			13	15		SALEABLE		NOT AVAILABLE	NOT AVAILABLE	
KEY A, BLACK, W/CPA	34985-2167	A-BLK	GC	PLR	CPA	M	R											10	11			13			SALEABLE		NOT AVAILABLE	NOT AVAILABLE	
KEY A, BLACK, W/CPA	34985-2168	A-BLK	GC	PLR	CPA	M	R											10	11			13			SALEABLE		NOT AVAILABLE	NOT AVAILABLE	
KEY B, LIGHT GRAY, W/CPA	34985-2169	B-LG	GC	PLR	CPA	M	R											10	11						SALEABLE		NOT AVAILABLE	NOT AVAILABLE	
KEY C, DARK GRAY, W/CPA	34985-2170	C-DG	GC	PLR	CPA	M	R											10	11			13	15		SALEABLE		NOT AVAILABLE	NOT AVAILABLE	
KEY C, DARK GRAY, W/O CPA	34985-2171	C-DG	GC	PLR		M	R											10	11			13	15		SALEABLE		NOT AVAILABLE	NOT AVAILABLE	
KEY B, LIGHT GRAY, W/O CPA	34985-2172	B-LG	GC	PLR		M	R											10	11						SALEABLE		NOT AVAILABLE	NOT AVAILABLE	
KEY A, BLACK, W/CPA	34985-2173	A-BLK	GC	PLR	CPA	M	R											10	11			12			SALEABLE		NOT AVAILABLE	NOT AVAILABLE	
KEY A, BLACK, W/CPA	34985-2174	A-BLK	GC	PLR	CPA	M	R											10	11			12	13		SALEABLE		NOT AVAILABLE	NOT AVAILABLE	
KEY B, LIGHT GRAY, W/CPA	34985-2175	B-LG	GC	PLR	CPA	M	R											10	11			13			SALEABLE		NOT AVAILABLE	NOT AVAILABLE	
KEY A, BLACK, W/CPA	34985-2176	A-BLK	GC	PLR	CPA	M	R											10	11			12	13	14	15	SALEABLE		NOT AVAILABLE	NOT AVAILABLE
KEY B, LIGHT GRAY, W/CPA	34985-2177	B-LG	GC	PLR	CPA	M	R											10	11			12	13	14		SALEABLE		NOT AVAILABLE	NOT AVAILABLE
KEY A, BLACK, W/O CPA	34985-2178	A-BLK	GC	PLR		M	R											10	11			12			SALEABLE		NOT AVAILABLE	NOT AVAILABLE	
KEY B, LIGHT GRAY, W/CPA	34985-2179	B-LG	GC	PLR	CPA	M	R											10	11						SALEABLE		NOT AVAILABLE	NOT AVAILABLE	
KEY B, LIGHT GRAY, W/CPA	34985-2180	B-LG	GC	PLR	CPA	M	R											10	11	12	13				SALEABLE		NOT AVAILABLE	NOT AVAILABLE	
KEY B, LIGHT GRAY, W/CPA	34985-2181	B-LG	GC	PLR	CPA	M	R											10	11	12	13				SALEABLE		NOT AVAILABLE	NOT AVAILABLE	
KEY B, LIGHT GRAY, W/CPA	34985-2182	B-LG	GC	PLR	CPA	M	R											10	11						SALEABLE		NOT AVAILABLE	NOT AVAILABLE	
KEY A, BLACK, W/CPA	34985-2183	A-BLK	GC	PLR	CPA	M	R											10	11						SALEABLE		NOT AVAILABLE	NOT AVAILABLE	
KEY D, STONE GRAY, W/CPA	34985-2184	D-SG	GC	PLR	CPA	M	R											10	11						SALEABLE		NOT AVAILABLE	NOT AVAILABLE	
KEY A, BLACK, W/O CPA	34985-2185	A-BLK	GC	PLR		M	R											10	11	12			15		SALEABLE		NOT AVAILABLE	NOT AVAILABLE	
KEY A, BLACK, W/O CPA	34985-2186	A-BLK	GC	PLR		M	R											10	11	12		14	15		SALEABLE		NOT AVAILABLE	NOT AVAILABLE	
KEY A, BLACK, W/O CPA	34985-2187	A-BLK	GC	PLR		M	R											10	11			13			SALEABLE		NOT AVAILABLE	NOT AVAILABLE	
KEY A, BLACK, W/CPA	34985-2188	A-BLK	GC	PLR	CPA	M	R											10	11			13	14	15		SALEABLE		NOT AVAILABLE	NOT AVAILABLE
KEY A, BLACK, W/CPA	34985-2189	A-BLK	GC	PLR	CPA	M	R											10	11	12	13				SALEABLE		NOT AVAILABLE	NOT AVAILABLE	
KEY A, BLACK, W/O CPA	34985-2190	A-BLK	GC	PLR		M	R											10	11						SALEABLE		NOT AVAILABLE	NOT AVAILABLE	
KEY A, YELLOW, W/CPA	34985-2191	A-YW	GC	PLR	CPA	M	R											10	11			14	15		SALEABLE		NOT AVAILABLE	NOT AVAILABLE	
KEY A, YELLOW, W/CPA	34985-2192	A-YW	GC	PLR	CPA	M	R											10	11			14	15		SALEABLE		NOT AVAILABLE	NOT AVAILABLE	
KEY B, LIGHT GRAY, W/CPA	34985-2193	B-LG	GC	PLR	CPA	M	R											10	11			14	15		SALEABLE		NOT AVAILABLE	NOT AVAILABLE	
KEY B, LIGHT GRAY, W/CPA	34985-2194	B-LG	GC	PLR	CPA	M	R											10	11	12	13	14	15		SALEABLE		NOT AVAILABLE	NOT AVAILABLE	
KEY B, LIGHT GRAY, W/CPA	34985-2195	B-LG	GC	PLR	CPA	M	R											10	11			13			SALEABLE		NOT AVAILABLE	NOT AVAILABLE	
KEY A, BLACK, W/O CPA	34985-2196	A-BLK	GC	PLR		M	R											10	11						SALEABLE		NOT AVAILABLE	NOT AVAILABLE	
KEY A, BLACK, W/O CPA	34985-2197	A-BLK	GC	PLR		M	R											10	11			14	15		SALEABLE		NOT AVAILABLE	NOT AVAILABLE	
KEY A, BLACK, W/O CPA	34985-2198	A-BLK	GC	PLR		M	R											10	11			14	15		SALEABLE		NOT AVAILABLE	NOT AVAILABLE	
KEY A, BLACK, W/O CPA	34985-2199	A-BLK	GC	PLR		M	R											10	11						SALEABLE		NOT AVAILABLE	NOT AVAILABLE	
KEY A, BLACK, W/O CPA	34985-2200	A-BLK	GC	PLR		M	R											10	11						SALEABLE		NOT AVAILABLE	NOT AVAILABLE	
KEY A, BLACK, W/O CPA	34985-4000	A-BLK	GC	PLR		M	R											10	11			14	15		SALEABLE		NOT AVAILABLE	NOT AVAILABLE	
KEY A, BLACK, W/O CPA	34985-4001	A-BLK	GC	PLR		M	R											10	11	12	13				SALEABLE		NOT AVAILABLE	NOT AVAILABLE	
KEY A, BLACK, W/O CPA	34985-4002	A-BLK	GC	PLR		M	R											10	11			13	14	15		SALEABLE		NOT AVAILABLE	NOT AVAILABLE
KEY A, BLACK, W/CPA	34985-4003	A-BLK	GC	PLR	CPA	M	R											10	11	12	13	14			SALEABLE		NOT AVAILABLE	NOT AVAILABLE	
KEY C, DARK GRAY, W/CPA	34985-4004	C-DG	GC	PLR	CPA	M	R											10	11	12	13	14			SALEABLE		NOT AVAILABLE	NOT AVAILABLE	
KEY A, BLACK, W/O CPA	34985-4005	A-BLK	GC	PLR		M	R											10	11						SALEABLE		NOT AVAILABLE	NOT AVAILABLE	
KEY B, LIGHT GRAY, W/O CPA	34985-4006	B-LG	GC	PLR		M	R											10	11						SALEABLE		NOT AVAILABLE	NOT AVAILABLE	
KEY B, LIGHT GRAY, W/O CPA	34985-4007	B-LG	GC	PLR		M	R											10											

MX150 16 WAY HYBRID RECEPTACLE SEALED ASSEMBLY MAT SEAL (WITH CLIPSLOT, 2.8mm CAVITIES OPEN)
BOM AND PIN OUT SHEET

ASSEMBLY DESCRIPTION	ASSEMBLY PART NUMBER	COMPONENT						BLOCKED TERMINALS																STATUS	COMMENTS	OPTIONAL ATTACHMENTS SOLD SEPARATELY		
		THE PRESENCE OF AN ABBREVIATION INDICATES THE PRESENCE OF THAT COMPONENT.						CAVITY WITH A NUMBER INDICATES BLOCKED TERMINAL POSITION CAVITY WITHOUT A NUMBER INDICATES OPEN TERMINAL POSITION																		BACKSHELL WITH RIBS	BACKSHELL WITHOUT RIBS	
		HOUSING KEY/COLOR	GROMMET CAP	PLR	CPA	MAT SEAL	RING SEAL	1	2	3	4	5	6	7	8	9	10	11	12	13	14	15	16					
KEY A, BLACK, W/ CLIPSLOT, W/O CPA	34985-2055	A-BLK-CLIP	GC	PLR		M	R			3	4			6			10	11	12	13		15	SALEABLE		349521611	NOT AVAILABLE		
KEY A, BLACK, W/ CLIPSLOT, W/O CPA	34985-2056	A-BLK-CLIP	GC	PLR		M	R			3	4			6	7		10	11	12	13		15	SALEABLE		349521611	NOT AVAILABLE		
KEY A, BLACK, W/ CLIPSLOT, W/O CPA	34985-2057	A-BLK-CLIP	GC	PLR		M	R									10	11				14		SALEABLE		349521611	NOT AVAILABLE		
KEY A, BLACK, W/ CLIPSLOT, W/O CPA	34985-2058	A-BLK-CLIP	GC	PLR		M	R							6	7		10	11	12	13	14	15	SALEABLE		349521611	NOT AVAILABLE		
KEY A, BLACK, W/ CLIPSLOT, W/O CPA	34985-2059	A-BLK-CLIP	GC	PLR		M	R		2							11	12	13					SALEABLE		349521611	NOT AVAILABLE		
KEY A, BLACK, W/ CLIPSLOT, W/O CPA	34985-2064	A-BLK-CLIP	GC	PLR		M	R							6	7			12	13	14	15		SALEABLE		349521611	NOT AVAILABLE		
KEY A, BLACK, W/ CLIPSLOT, W/O CPA	34985-2065	A-BLK-CLIP	GC	PLR		M	R		2					6	7			12	13	14	15		SALEABLE		349521611	NOT AVAILABLE		
KEY A, BLACK, W/ CLIPSLOT, W/O CPA	34985-2066	A-BLK-CLIP	GC	PLR		M	R			3	4	5		7			10	11		13	14	15	SALEABLE		349521611	NOT AVAILABLE		
KEY A, BLACK, W/ CLIPSLOT, W/O CPA	34985-2070	A-BLK-CLIP	GC	PLR		M	R									10	11	12			14		SALEABLE		349521611	NOT AVAILABLE		
KEY B, LIGHT GRAY, W/ CLIPSLOT, W/O CPA	34985-2071	B-LG-CLIP	GC	PLR		M	R																SALEABLE		349521611	NOT AVAILABLE		
KEY B, LIGHT GRAY, W/ CLIPSLOT, W/O CPA	34985-2072	B-LG-CLIP	GC	PLR		M	R		2	3	4	5	6	7		10	11	12	13	14	15		SALEABLE		349521611	NOT AVAILABLE		
KEY B, LIGHT GRAY, W/ CLIPSLOT, W/O CPA	34985-2103	B-LG-CLIP	GC	PLR		M	R				4												SALEABLE		349521611	NOT AVAILABLE		
KEY B, LIGHT GRAY, W/ CLIPSLOT, W/O CPA	34985-2104	B-LG-CLIP	GC	PLR		M	R				4								13				SALEABLE		349521611	NOT AVAILABLE		
KEY A, BLACK, W/ CLIPSLOT, W/O CPA	34985-2105	A-BLK-CLIP	GC	PLR		M	R		2					5	6				12	13	14	15	SALEABLE		349521611	NOT AVAILABLE		
KEY A, BLACK, W/ CLIPSLOT, W/O CPA	34985-2108	A-BLK-CLIP	GC	PLR		M	R		2	3	4				7		10	11	12	13	14	15	SALEABLE		349521611	NOT AVAILABLE		
KEY A, BLACK, W/ CLIPSLOT, W/O CPA	34985-2109	A-BLK-CLIP	GC	PLR		M	R		2										12	13	14	15	SALEABLE		349521611	NOT AVAILABLE		
KEY A, BLACK, W/ CLIPSLOT, W/O CPA	34985-2114	A-BLK-CLIP	GC	PLR		M	R			3	4	5		7			10	11	12	13	14	15	SALEABLE		349521611	NOT AVAILABLE		
KEY A, BLACK, W/ CLIPSLOT, W/O CPA	34985-2122	A-BLK-CLIP	GC	PLR		M	R				4										14	15	SALEABLE		349521611	NOT AVAILABLE		
KEY A, BLACK, W/ CLIPSLOT, W/O CPA	34985-2123	A-BLK-CLIP	GC	PLR		M	R		2	3				5	6		10	11	12	13	14	15	SALEABLE		349521611	NOT AVAILABLE		
KEY A, BLACK, W/ CLIPSLOT, W/O CPA	34985-2124	A-BLK-CLIP	GC	PLR		M	R				4					10					14	15	SALEABLE		349521611	NOT AVAILABLE		
KEY H, YELLOW, W/ CLIPSLOT, W/CPA	34985-2127	H-YW-CLIP	GC	PLR	CPA	M	R		2	3													SALEABLE		349521611	NOT AVAILABLE		
KEY A, BLACK, W/ CLIPSLOT, W/O CPA	34985-2128	A-BLK-CLIP	GC	PLR		M	R		2	3				5	6			11			14	15	SALEABLE		349521611	NOT AVAILABLE		
KEY H, YELLOW, W/ CLIPSLOT, W/ SHRT BAR, W/CPA	34985-2129	H-YW-CLIP	GC	PLR-SB	CPA	M	R		2														SALEABLE		349521611	NOT AVAILABLE		
KEY A, BLACK, W/ CLIPSLOT, W/O CPA	34985-2130	A-BLK-CLIP	GC	PLR		M	R		2						6	7		10	11	12	13	14	15	SALEABLE		349521611	NOT AVAILABLE	
KEY A, YELLOW, W/ CLIPSLOT, W/O CPA	34985-2133	A-YW-CLIP	GC	PLR		M	R		2														SALEABLE		349521611	NOT AVAILABLE		
KEY F, LIGHT GRAY, W/ CLIPSLOT, W/ SHRT BAR, W/O CPA	34985-2134	F-LG-CLIP	GC	PLR-SB		M	R				4	5	6	7			10	11	12	13	14	15	SALEABLE		349521611	NOT AVAILABLE		
KEY F, LIGHT GRAY, W/ CLIPSLOT, W/ SHRT BAR, W/O CPA	34985-2135	F-LG-CLIP	GC	PLR-SB		M	R		2	3												14	15	SALEABLE		349521611	NOT AVAILABLE	
KEY F, LIGHT GRAY, W/ CLIPSLOT, W/ SHRT BAR, W/O CPA	34985-2136	F-LG-CLIP	GC	PLR-SB		M	R															14	15	SALEABLE		349521611	NOT AVAILABLE	
KEY A, BLACK, W/ CLIPSLOT, W/O CPA	34985-2137	A-BLK-CLIP	GC	PLR		M	R		2	3				5	6			11					SALEABLE		349521611	NOT AVAILABLE		
KEY A, BLACK, W/ CLIPSLOT, W/O CPA	34985-2139	A-BLK-CLIP	GC	PLR		M	R		2	3	4	5	6	7			10	11	12	13	14	15	SALEABLE		349521611	NOT AVAILABLE		
KEY B, LIGHT GRAY, W/ CLIPSLOT, W/O CPA	34985-2141	B-LG-CLIP	GC	PLR		M	R				4									13			SALEABLE		349521611	NOT AVAILABLE		
KEY E, BLACK, W/ CLIPSLOT, W/ SHRT BAR, W/O CPA	34985-2201	E-BLK-CLIP	GC	PLR-SB		M	R																SALEABLE		349521611	NOT AVAILABLE		
KEY F, LIGHT GRAY, W/ CLIPSLOT, W/ SHRT BAR, W/O CPA	34985-2202	F-LG-CLIP	GC	PLR-SB		M	R			2	3				6	7				13	14	15	SALEABLE		349521611	NOT AVAILABLE		
KEY F, LIGHT GRAY, W/ CLIPSLOT, W/ SHRT BAR, W/O CPA	34985-2203	F-LG-CLIP	GC	PLR-SB		M	R			2					6								SALEABLE		349521611	NOT AVAILABLE		
KEY F, LIGHT GRAY, W/ CLIPSLOT, W/ SHRT BAR, W/O CPA	34985-2204	F-LG-CLIP	GC	PLR-SB		M	R		2	3											13		SALEABLE		349521611	NOT AVAILABLE		
KEY F, LIGHT GRAY, W/ CLIPSLOT, W/ SHRT BAR, W/O CPA	34985-2205	F-LG-CLIP	GC	PLR-SB		M	R													12			SALEABLE		349521611	NOT AVAILABLE		
KEY F, LIGHT GRAY, W/ CLIPSLOT, W/ SHRT BAR, W/O CPA	34985-2206	F-LG-CLIP	GC	PLR-SB		M	R		2						6			10	11	12			SALEABLE		349521611	NOT AVAILABLE		
KEY F, LIGHT GRAY, W/ CLIPSLOT, W/ SHRT BAR, W/O CPA	34985-2207	F-LG-CLIP	GC	PLR-SB		M	R								6						12		SALEABLE		349521611	NOT AVAILABLE		
KEY F, LIGHT GRAY, W/ CLIPSLOT, W/ SHRT BAR, W/O CPA	34985-2208	F-LG-CLIP	GC	PLR-SB		M	R								6				11	12			SALEABLE		349521611	NOT AVAILABLE		
KEY F, LIGHT GRAY, W/ CLIPSLOT, W/ SHRT BAR, W/O CPA	34985-2209	F-LG-CLIP	GC	PLR-SB		M	R		2	3					6			10					SALEABLE		349521611	NOT AVAILABLE		
KEY F, LIGHT GRAY, W/ CLIPSLOT, W/ SHRT BAR, W/O CPA	34985-2210	F-LG-CLIP	GC	PLR-SB		M	R								6								SALEABLE		349521611	NOT AVAILABLE		
KEY F, LIGHT GRAY, W/ CLIPSLOT, W/ SHRT BAR, W/O CPA	34985-2211	F-LG-CLIP	GC	PLR-SB		M	R		2	3	4	5	6			10							SALEABLE		349521611	NOT AVAILABLE		
KEY A, BLACK, W/ CLIPSLOT, W/O CPA	34985-2212	A-BLK-CLIP	GC	PLR		M	R				3	4			6	7				13	14	15	SALEABLE		349521611	NOT AVAILABLE		
KEY A, BLACK, W/ CLIPSLOT, W/O CPA	34985-2213	A-BLK-CLIP	GC	PLR		M	R				3				5	6	7		10	11	12	13	14	15	SALEABLE		349521611	NOT AVAILABLE
KEY A, BLACK, W/ CLIPSLOT, W/O CPA	34985-2214	A-BLK-CLIP	GC	PLR		M	R		2	3				5	6	7							SALEABLE		349521611	NOT AVAILABLE		
KEY F, LIGHT GRAY, W/ CLIPSLOT, W/ SHRT BAR, W/O CPA	34985-2215	F-LG-CLIP	GC	PLR-SB		M	R		2	3	4	5	6	7			10	11	12	13	14	15	SALEABLE		349521611	NOT AVAILABLE		
KEY A, BLACK, W/ CLIPSLOT, W/O CPA	34985-2216	A-BLK-CLIP	GC	PLR		M	R				3	4					10	11	12	13	14	15	SALEABLE		349521611	NOT AVAILABLE		
KEY A, BLACK, W/ CLIPSLOT, W/O CPA	34985-2217	A-BLK-CLIP	GC	PLR		M	R		2	3	4	5	6	7				11					SALEABLE		349521611	NOT AVAILABLE		
KEY A, BLACK, W/ CLIPSLOT, W/O CPA	34985-2218	A-BLK-CLIP	GC	PLR		M	R		2	3				5	6	7			11			14	15	SALEABLE		349521611	NOT AVAILABLE	
KEY A, BLACK, W/ CLIPSLOT, W/O CPA	34985-2219	A-BLK-CLIP	GC	PLR		M	R				3				5	6	7				13	14	15	SALEABLE		349521611	NOT AVAILABLE	
KEY A, BLACK, W/ CLIPSLOT, W/O CPA	34985-2220	A-BLK-CLIP	GC	PLR		M	R										10	11	12	13	14	15	SALEABLE		349521611	NOT AVAILABLE		
KEY A, BLACK, W/ CLIPSLOT, W/O CPA	34985-2221	A-BLK-CLIP	GC	PLR		M	R		2			4	5				10	11	12	13	14	15	SALEABLE		349521611	NOT AVAILABLE		
KEY A, BLACK, W/ CLIPSLOT, W/O CPA	34985-2222	A-BLK-CLIP	GC	PLR		M	R		2	3	4	5	6	7				11	12	13	14	15	SALEABLE		349521611	NOT AVAILABLE		
KEY A, BLACK, W/ CLIPSLOT, W/O CPA	34985-2223	A-BLK-CLIP	GC	PLR		M	R		2	3				5	6	7				11	12	13	14	15	SALEABLE		349521611	NOT AVAILABLE
KEY A, BLACK, W/ CLIPSLOT, W/O CPA	34985-2224	A-BLK-CLIP	GC	PLR		M	R		2												12	13	14	SALEABLE		349521611	NOT AVAILABLE	
KEY A, BLACK, W/ CLIPSLOT, W/O CPA	34985-2225	A-BLK-CLIP	GC	PLR		M	R				3				5	6	7		10	11			SALEABLE		349521611	NOT AVAILABLE		
KEY A, BLACK, W/ CLIPSLOT, W/O CPA	34985-2226	A-BLK-CLIP	GC	PLR		M	R				3				5	6	7					15	SALEABLE		349521611	NOT AVAILABLE		
KEY A, BLACK, W/ CLIPSLOT, W/O CPA	34985-2227	A-BLK-CLIP	GC	PLR		M	R				3						10	11					SALEABLE		349521611	NOT AVAILABLE		
KEY A, BLACK, W/ CLIPSLOT, W/O CPA	34985-2228	A-BLK-CLIP	GC	PLR		M	R							5									SALEABLE		349521611	NOT AVAILABLE		
KEY A, BLACK, W/ CLIPSLOT, W/O CPA	34985-2229	A-BLK-CLIP	GC	PLR		M	R		2								10						SALEABLE		349521611	NOT AVAILABLE		
KEY A, BLACK, W/ CLIPSLOT, W/O CPA	34985-2230	A-BLK-CLIP	GC	PLR		M	R		2	3	4	5	6	7			10	11	12	13		15	SALEABLE		349521611	NOT AVAILABLE		
KEY A, BLACK, W/ CLIPSLOT, W/O CPA	34985-2231	A-BLK-CLIP	GC	PLR		M	R		2	3				5	6	7					14	15	SALEABLE		349521611	NOT AVAILABLE		
KEY A, BLACK, W/ CLIPSLOT, W/O CPA	34985-2232	A-BLK-CLIP	GC	PLR		M	R		2			4	5	6	7								SALEABLE		349521611	NOT AVAILABLE		
KEY A, BLACK, W/ CLIPSLOT, W/O CPA	34985-2233	A-BLK-CLIP	GC	PLR		M	R		2																			

