

CPA TO BE INSTALLED IN PRE-LOCK POSITION AS SHOWN IN BOTH VIEWS. SEE NOTE #5

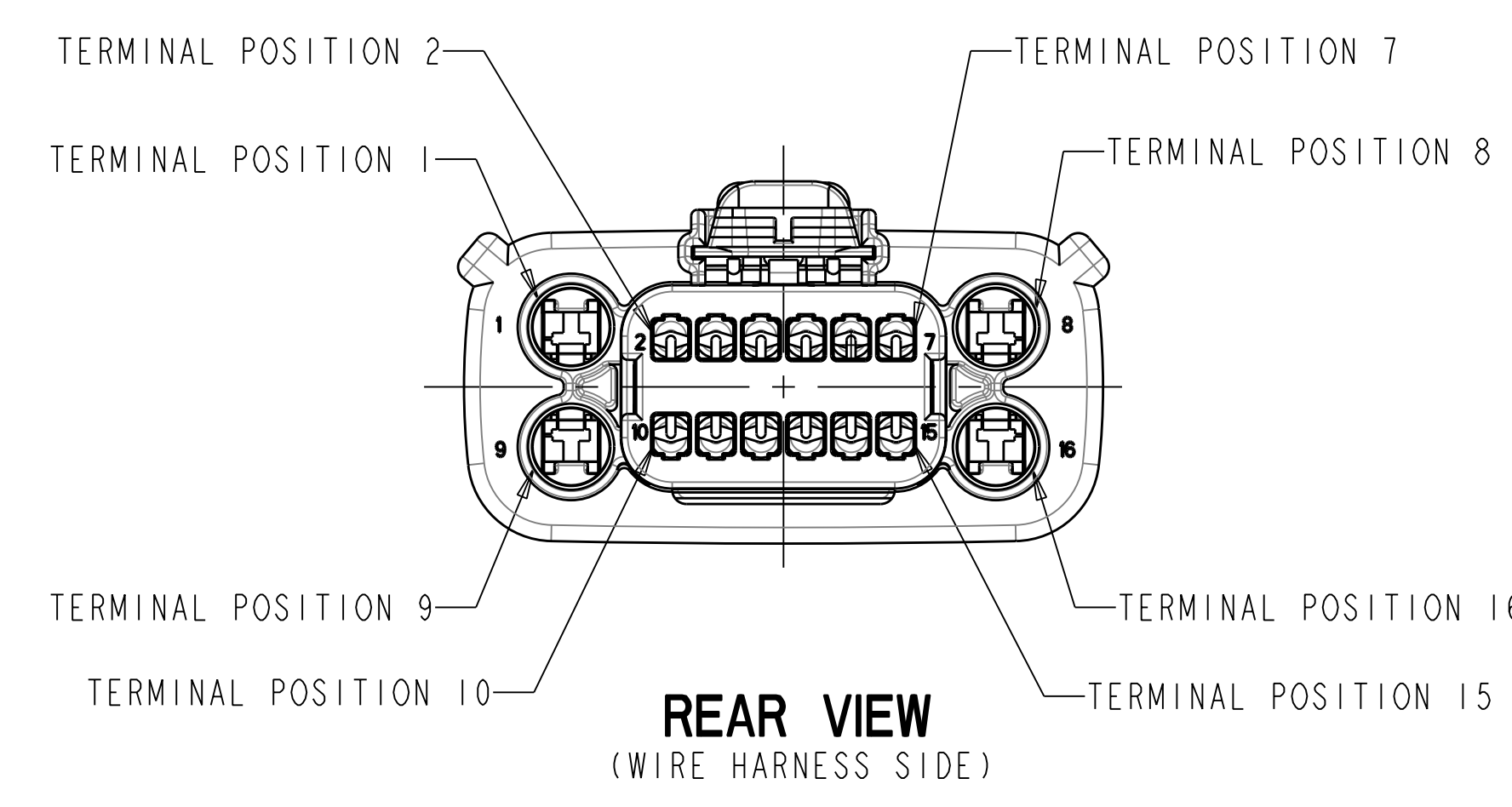
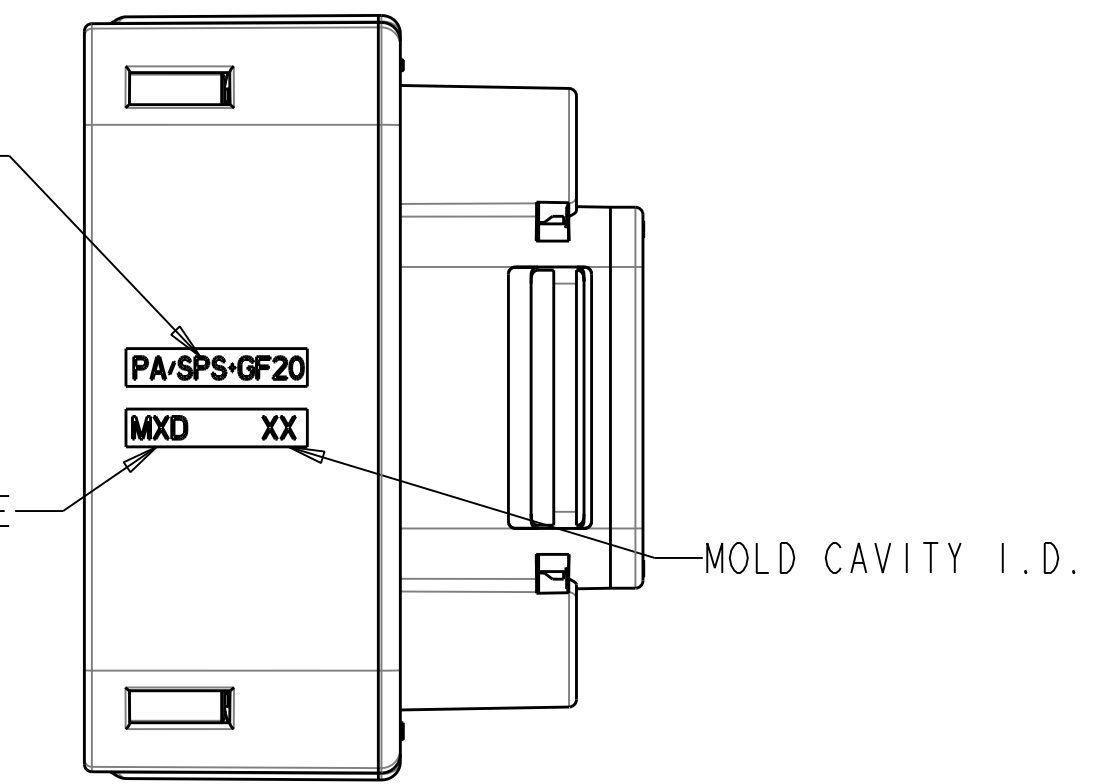
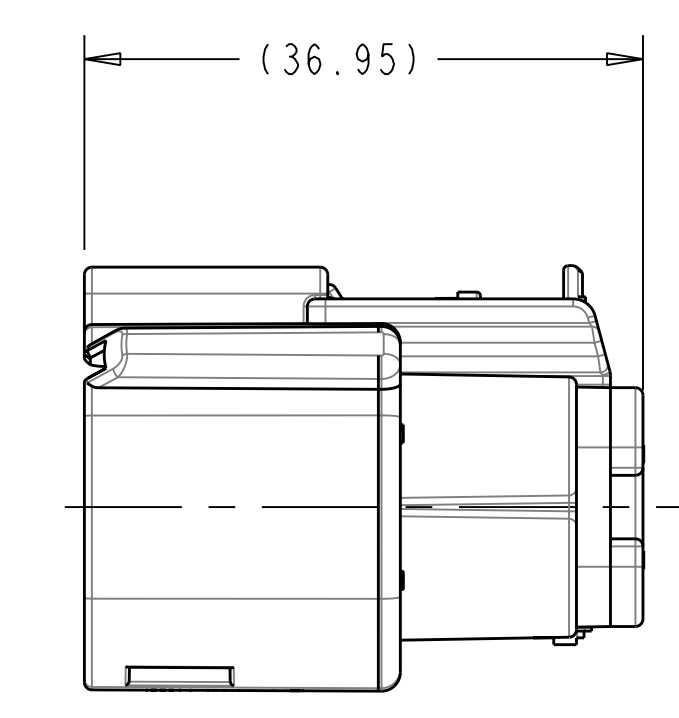
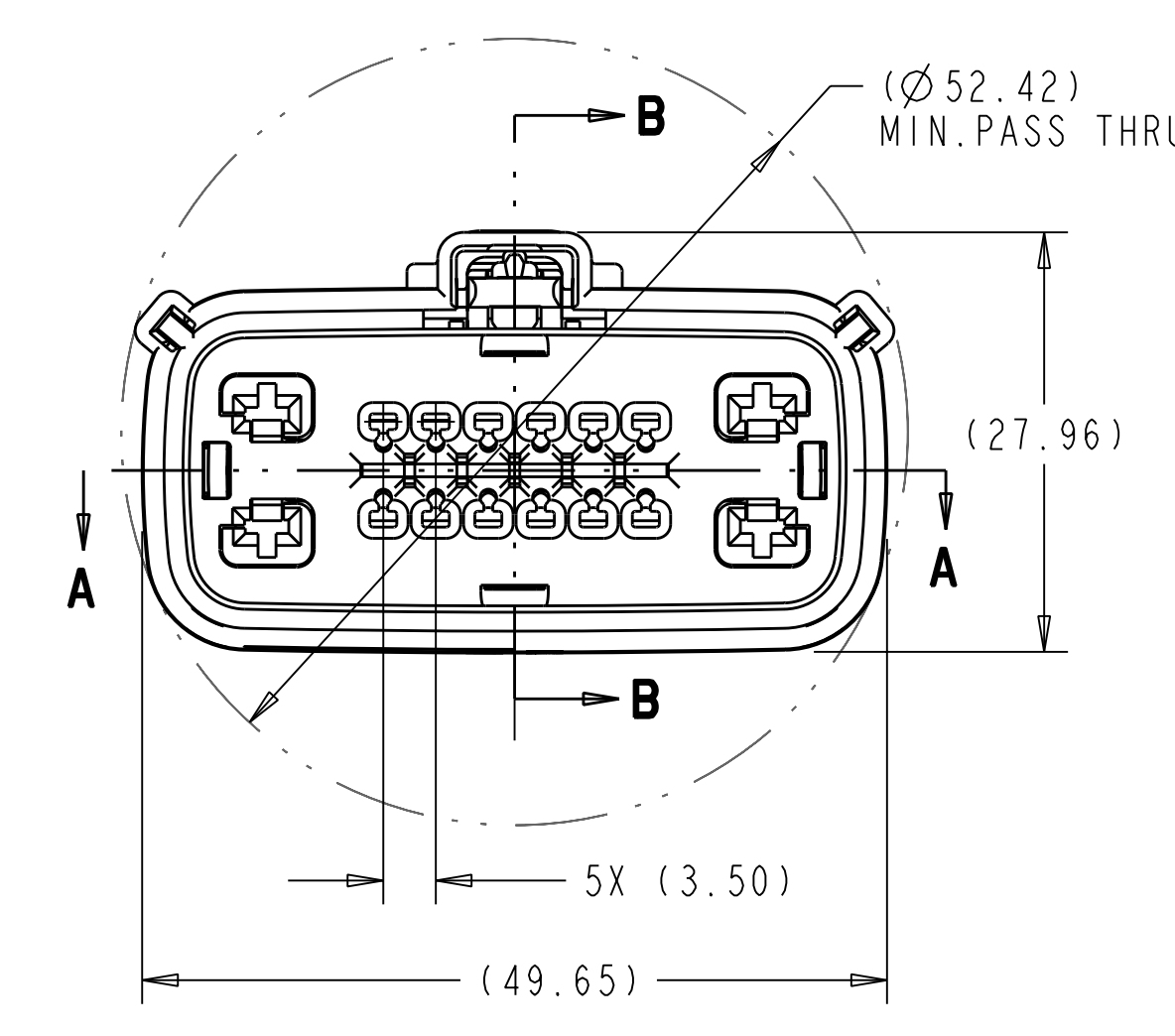
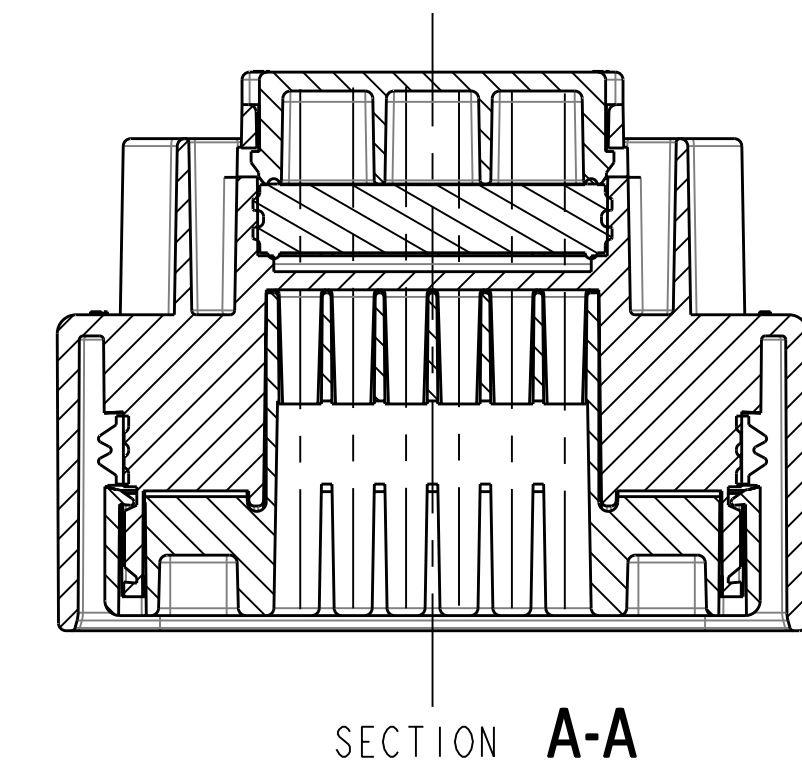
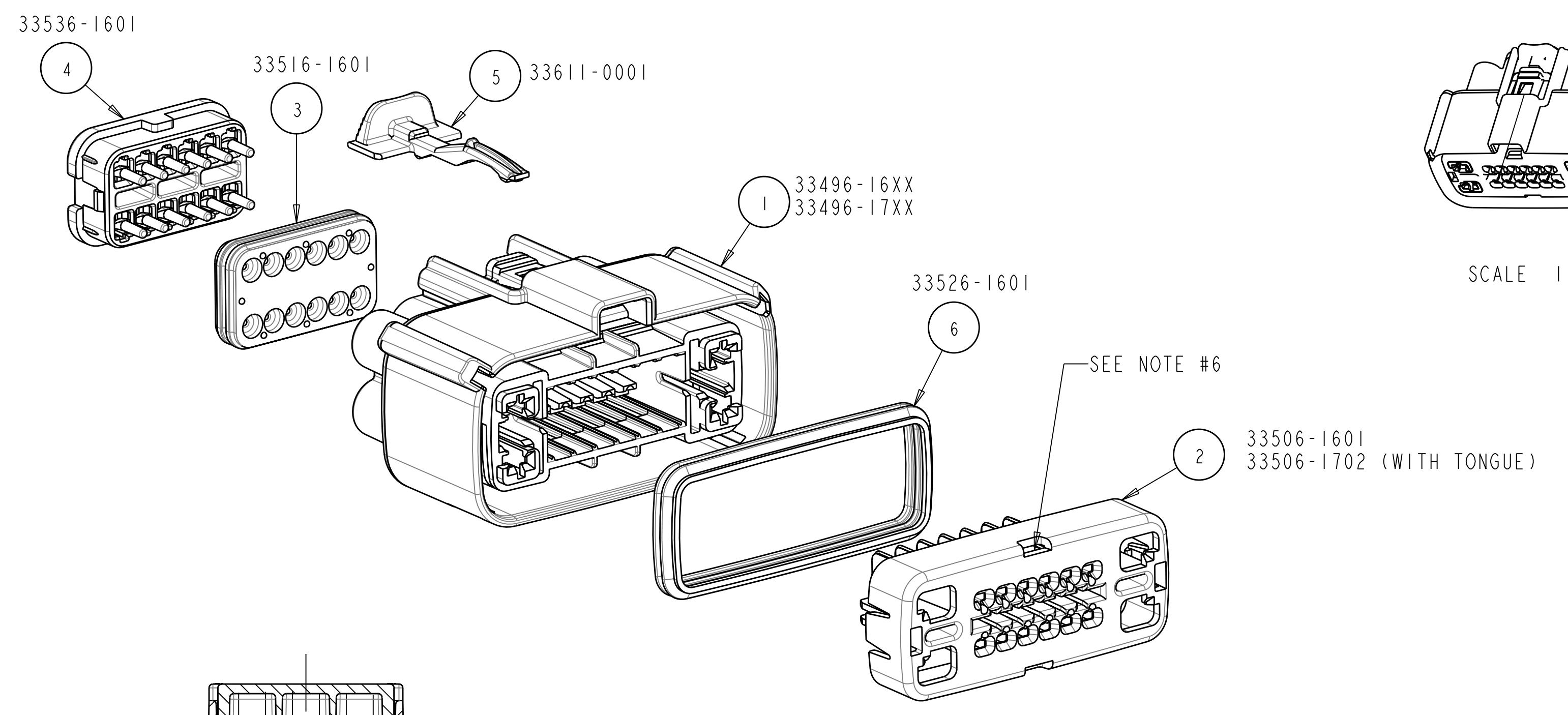
CPA TO BE INSTALLED IN PRE-LOCK POSITION AS SHOWN IN BOTH VIEWS. SEE NOTE #5

SECTION B-B  
(RECEPTACLE INSERT WITH SHORTING BAR SHOWN IN PRE-LOCK)  
SEE NOTE #2

SECTION B-B  
(RECEPTACLE INSERT WITH SHORTING BAR SHOWN IN FULL-LOCK)  
SEE NOTE #2

SECTION B-B  
(RECEPTACLE INSERT SHOWN IN PRE-LOCK POSITION)  
SEE NOTE #2

SECTION B-B  
(RECEPTACLE INSERT SHOWN IN FULL-LOCK POSITION)  
SEE NOTE #2



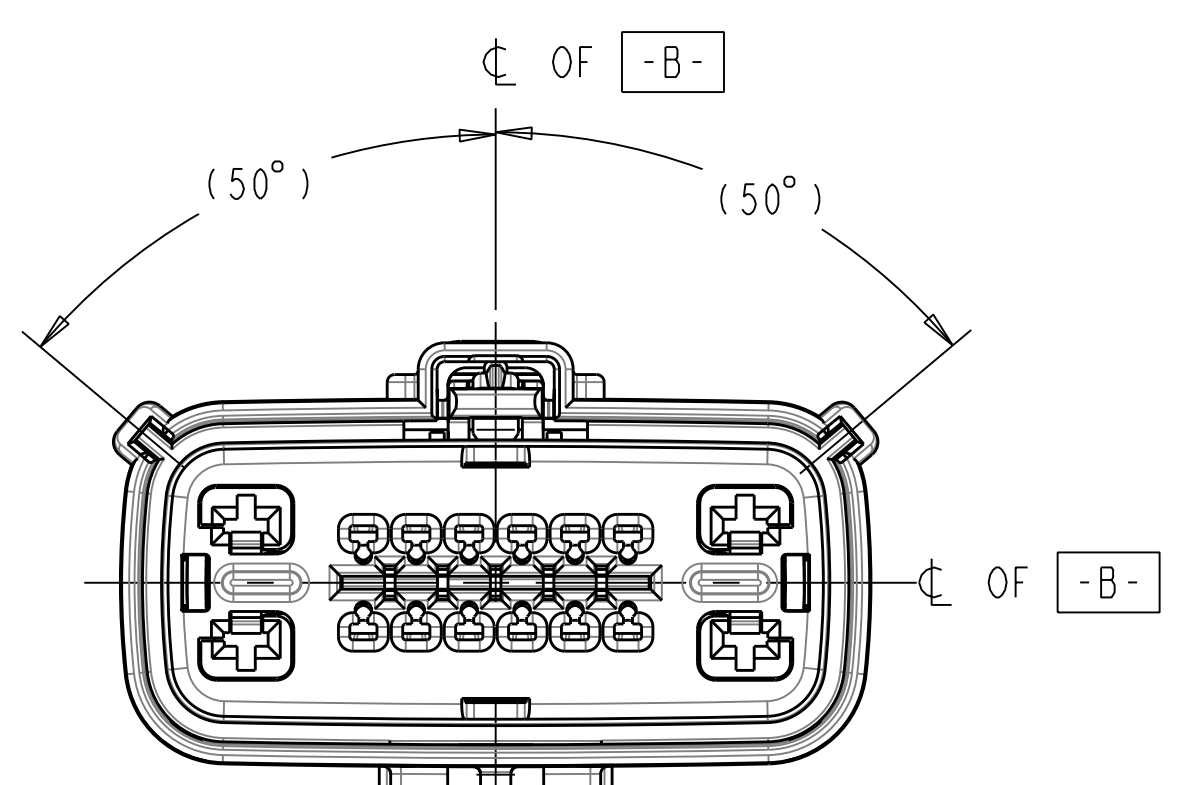
- NOTES: UNLESS OTHERWISE SPECIFIED
- DESIGNED TO MATE WITH BLADE HOUSING ASSEMBLY SPECIFIED IN CHARTED DRAWING E-33486-161 OR DEVICE CONNECTION AS SPECIFIED IN DRAWING E-33586-161. SEE CHART
  - ASSEMBLY SHIPPED WITH RECEPTACLE INSERT IN PRE-LOCK POSITION (SEE SECTION B-B PRE-LOCK). UPON FULL TERMINAL ASSEMBLY, EACH RECEPTACLE INSERT MUST BE SNAPPED INTO ITS FINAL-LOCK POSITION.
  - FOR 1.5mm RECEPTACLE TERMINALS TO BE USED WITH THIS ASSEMBLY, SEE MOLEX DRAWING E-33012-001. FOR FORD 2.8mm FEMALE RECEPTACLE SEE CHART.
  - SYSTEM TO BE USED WITH WIRE WITHIN Ø RANGE OF 1.2mm TO 2.4mm.
  - OPTIONAL CPA SHOWN IN ALL VIEWS. SEE TABLES FOR SPECIFIC ASSEMBLY OPTION AND NUMBER. CPA MUST BE INSERTED TO THE PRE-LOCK POSITION, AS SHOWN IN SECTION B-B. WHEN CORRECTLY SEATED THE CPA DOES NOT MOVE, FREELY.
  - SERVICE WITH SCREWDRIVER.
  - REFER TO SHEET # 2 OF THIS DRAWING FOR ALL PART NUMBER CONFIGURATION OPTIONS.
  - REFER TO ASSEMBLY DRAWING E-33476-181 FOR RECEPTACLE WITH CLIP SLOT OPTIONS.
  - ENGAGEMENT FORCE - NO TERMINALS (PRE TO FINAL): 15N MIN.
  - ENGAGEMENT FORCE - WITH TERMINALS (PRE TO FINAL): 60N MAX.
  - DISENGAGEMENT FORCE - WITH TERMINALS (FINAL TO PRE): 18N MIN. 60N MAX.
  - PARTIALLY INSTALLED TERMINAL DETECTION - 80N MIN OR 40N GREATER THAN (b) WHICHEVER IS GREATER.
  - REMOVAL FORCE - WITH TERMINALS (FINAL TO OUT OF CONNECTOR): 25N MIN.

TYCO 2.8mm CABLE SEAL TERMINAL	
FORD P/N	GRIP SIZE
IFIT-14474-KA	12
IFIT-14474-JA	14
IFIT-14474-HA	16
IFIT-14474-GA	18
IFIT-14474-FA	20
IFIT-14474-EA	22

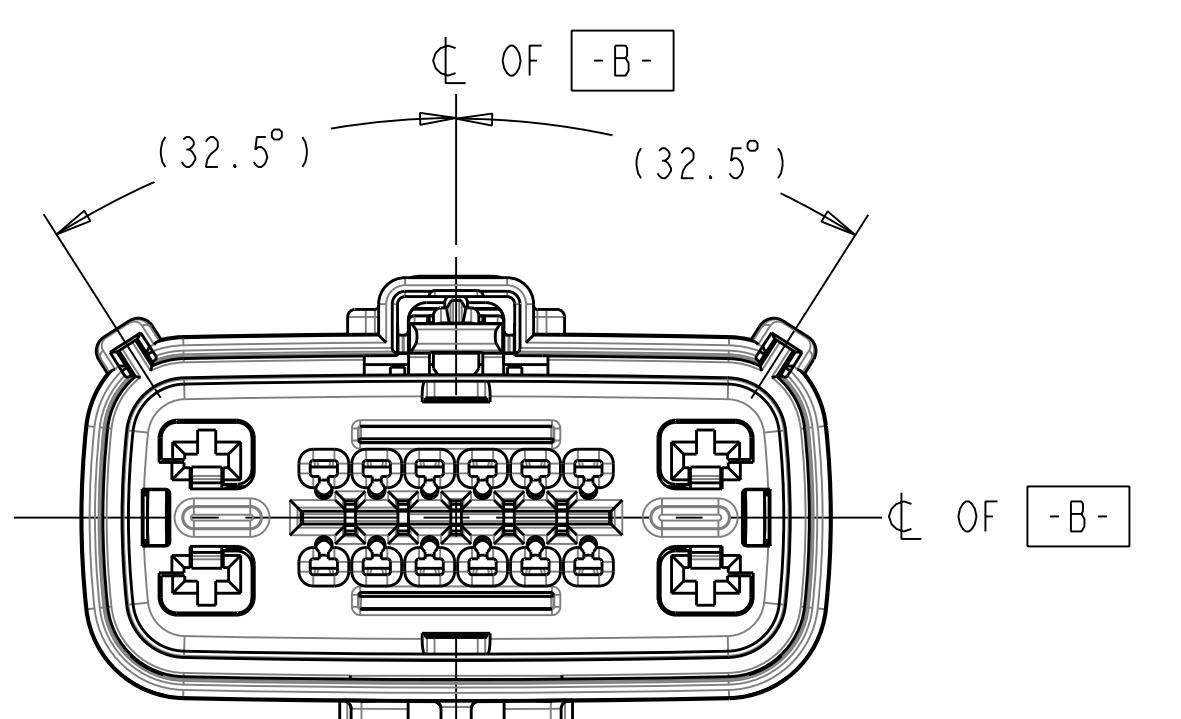
EC NO: UA02005-0053 DRWN: D.GRIFFITHS 08-11-04 CHK: D.GRIFFITHS 08-11-04 APPR: D.GRIFFITHS 08-11-04	DESCRIPTION	QUALITY SYMBOLS	GENERAL TOLERANCES (UNLESS SPECIFIED)		SCALE 2:1	DESIGN UNITS mm	THIRD ANGLE PROJECTION	REVISE ON CAD ONLY
			mm	INCH	DIMENSION STYLE mm		TITLE	
N	REV	0	4 PLACES	± .05	± .0015		DRAWN BY J. WESLEY DATE 06-16-02 CHECKED BY D.GRIFFITHS DATE 07-09-02 APPROVED BY F.HOLUB DATE 07-09-02	MATERIAL NO. - DOCUMENT NO. SD-33476-161 SHEET NO. 1 OF 2
		0	2 PLACES	± 0.10	± .004			
			1 PLACE	± 0.3	± .012			
			ANGULAR		± 3°			

1.5mm/2.8mm HYBRID CONNECTOR, RCPT 2 ROW HOUSING, SEALED, 16 WAY		MOLEX INCORPORATED	
THIS DRAWING CONTAINS INFORMATION THAT IS PROPRIETARY TO MOLEX INCORPORATED AND SHOULD NOT BE USED WITHOUT WRITTEN PERMISSION		E	

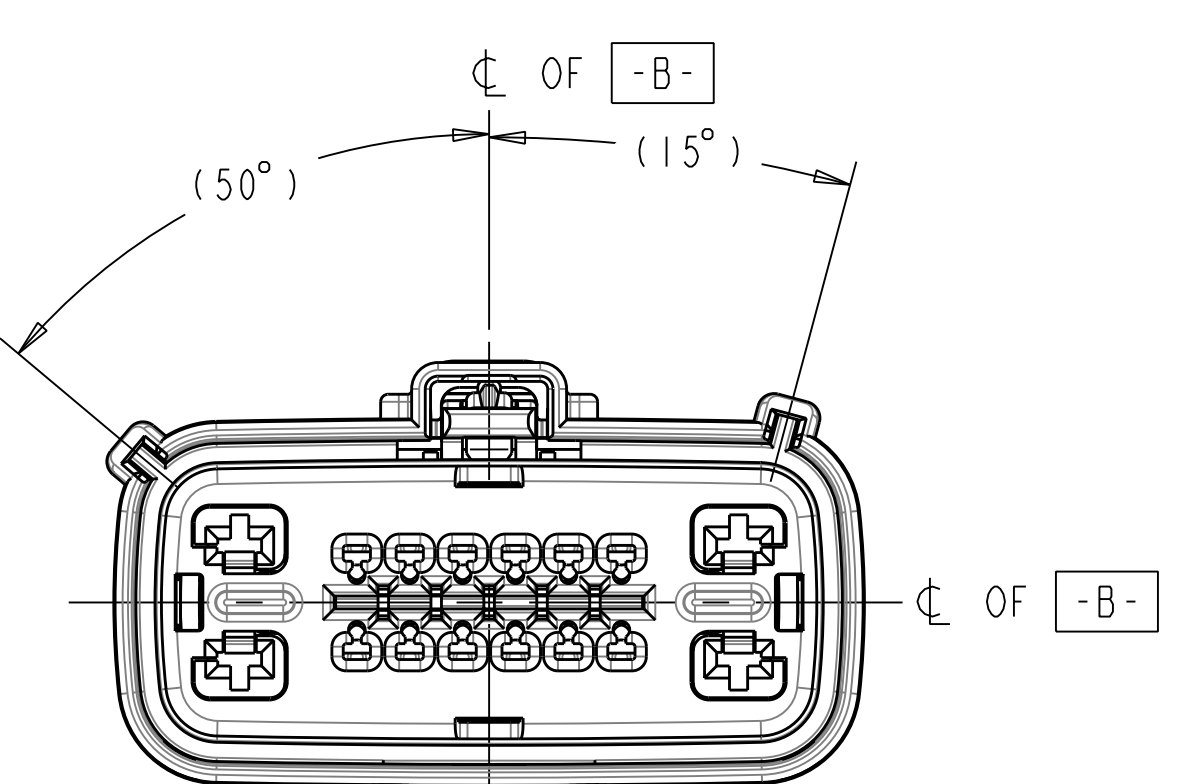




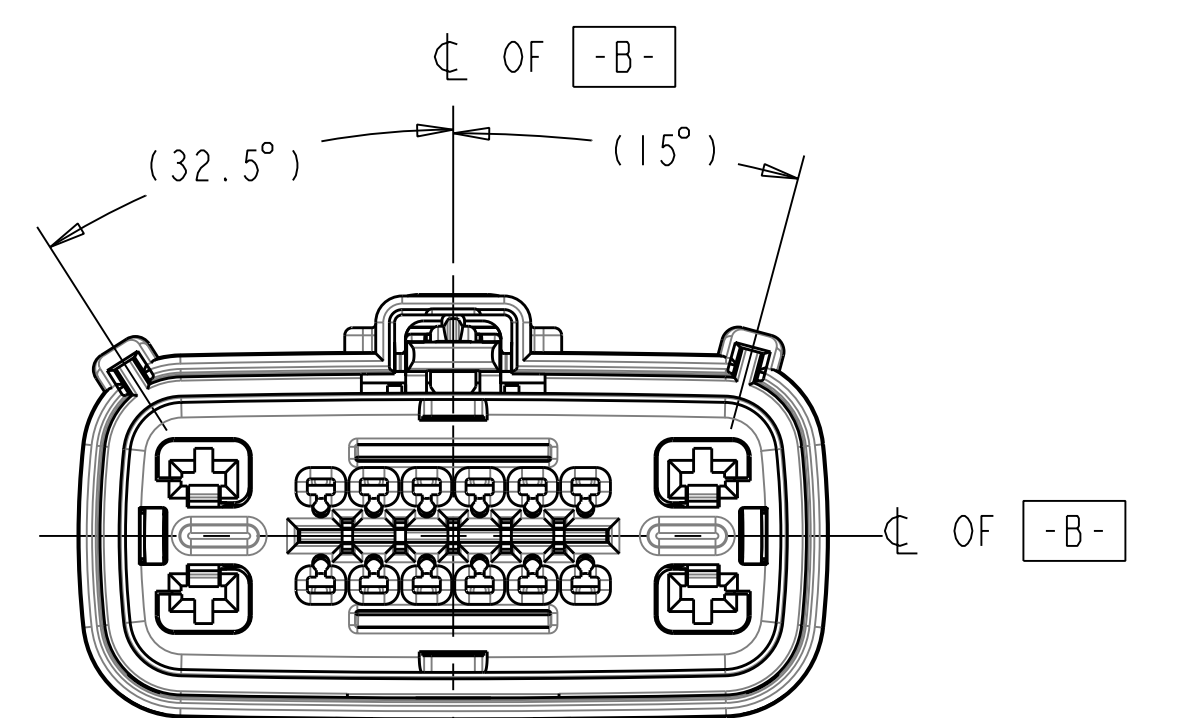
KEYING OPTION A  
SCALE 2:1



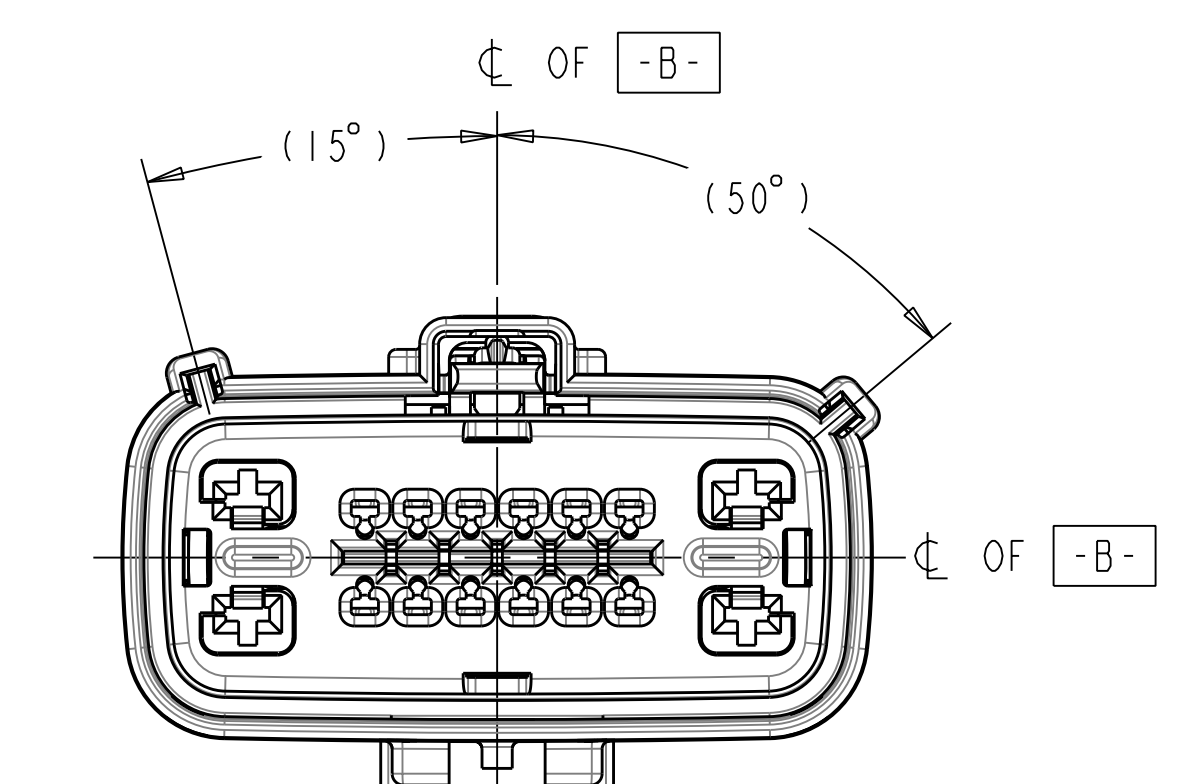
KEYING OPTION E  
SCALE 2:1



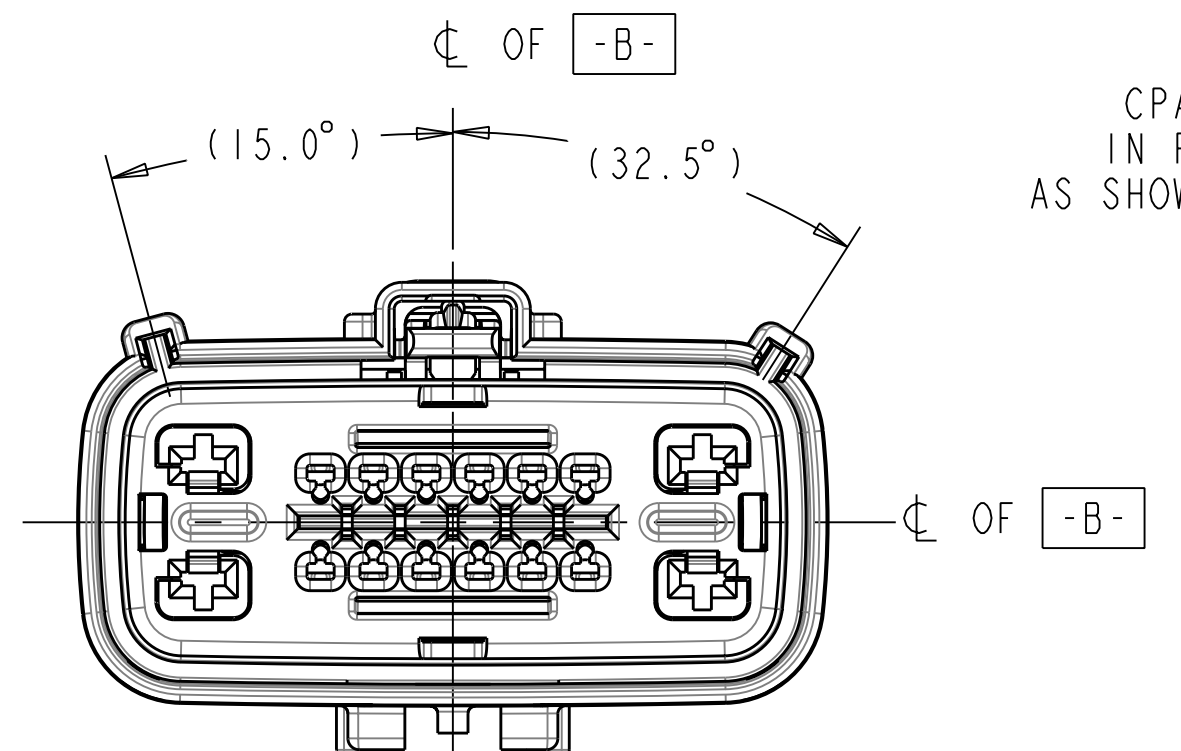
KEYING OPTION B  
SCALE 2:1



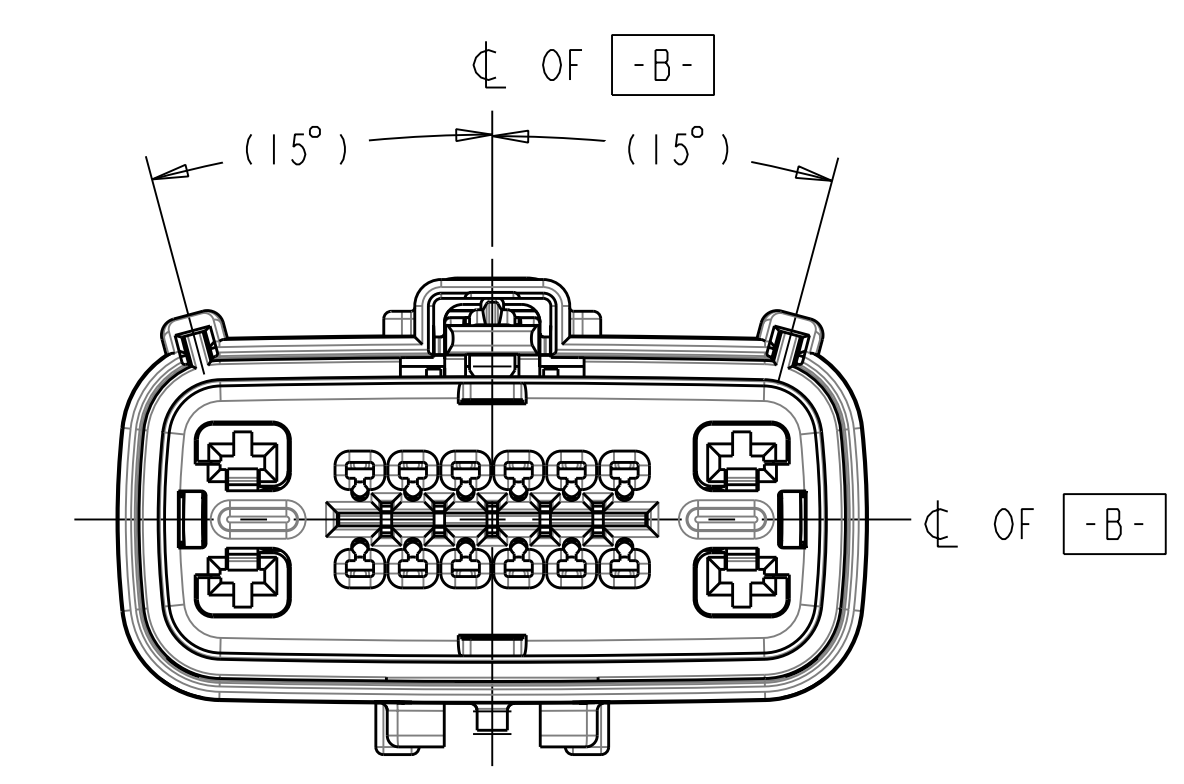
KEYING OPTION F  
SCALE 2:1



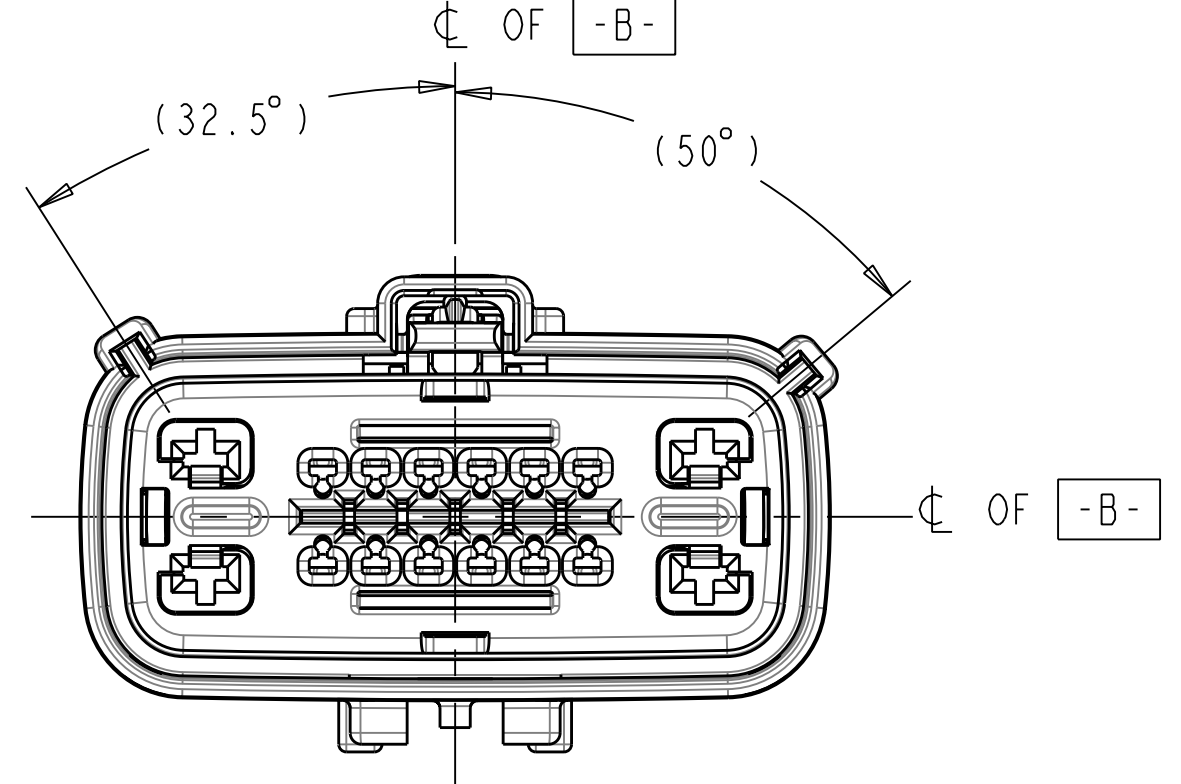
KEYING OPTION C  
SCALE 2:1



KEYING OPTION G  
SCALE 2:1

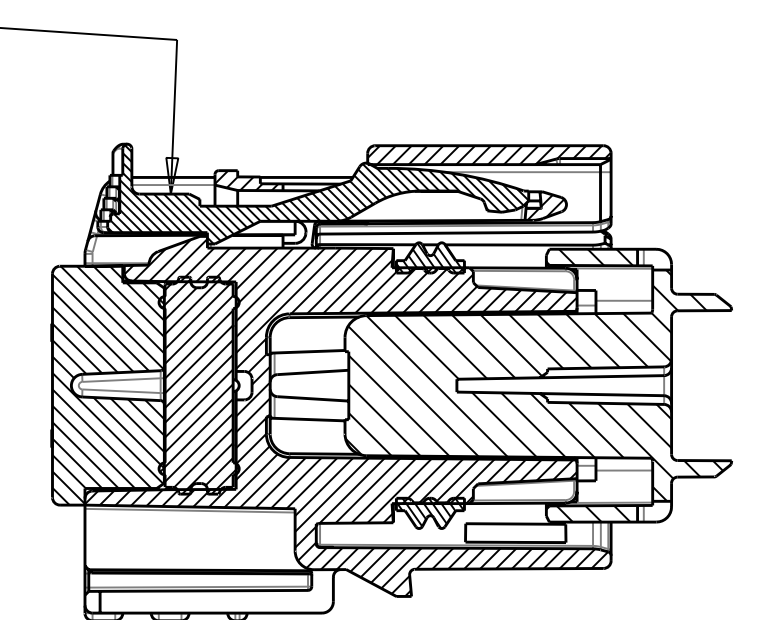


KEYING OPTION D  
SCALE 2:1

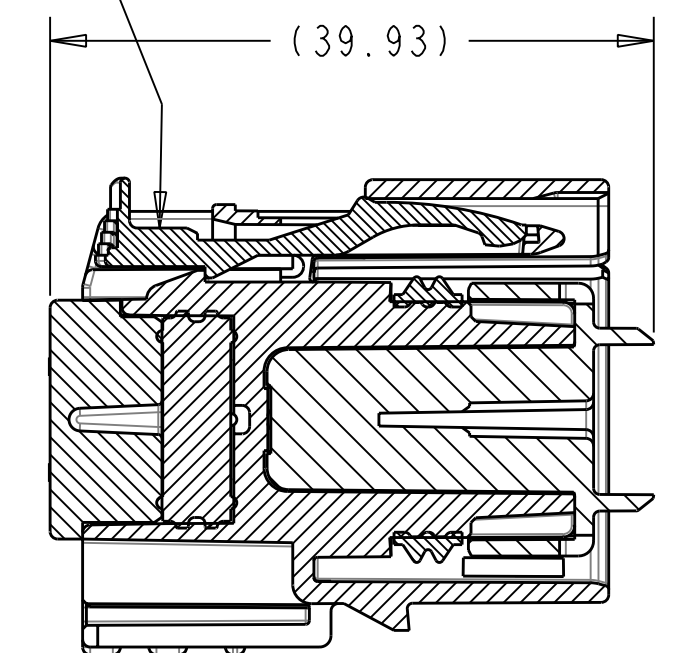


KEYING OPTION H  
SCALE 2:1

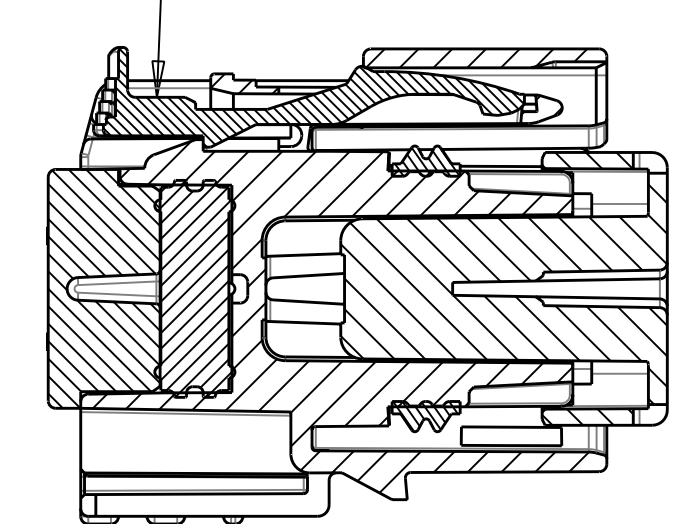
CPA TO BE INSTALLED  
IN PRE-LOCK POSITION  
AS SHOWN IN BOTH VIEWS,  
SEE NOTE #5



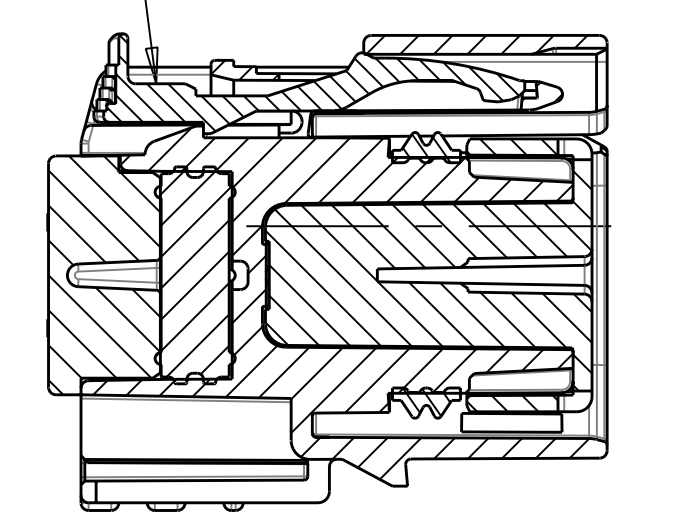
SECTION B-B  
(RECEPTACLE INSERT WITH  
SHORTING BAR LIFTER  
SHOWN IN PRE-LOCK)  
SEE NOTE #2



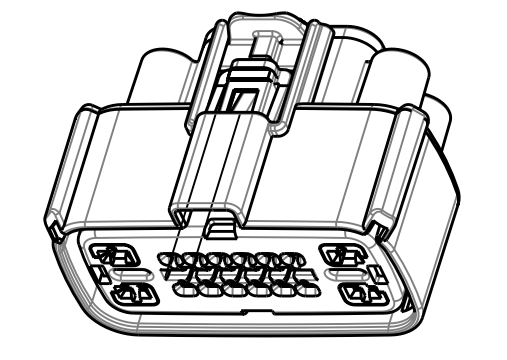
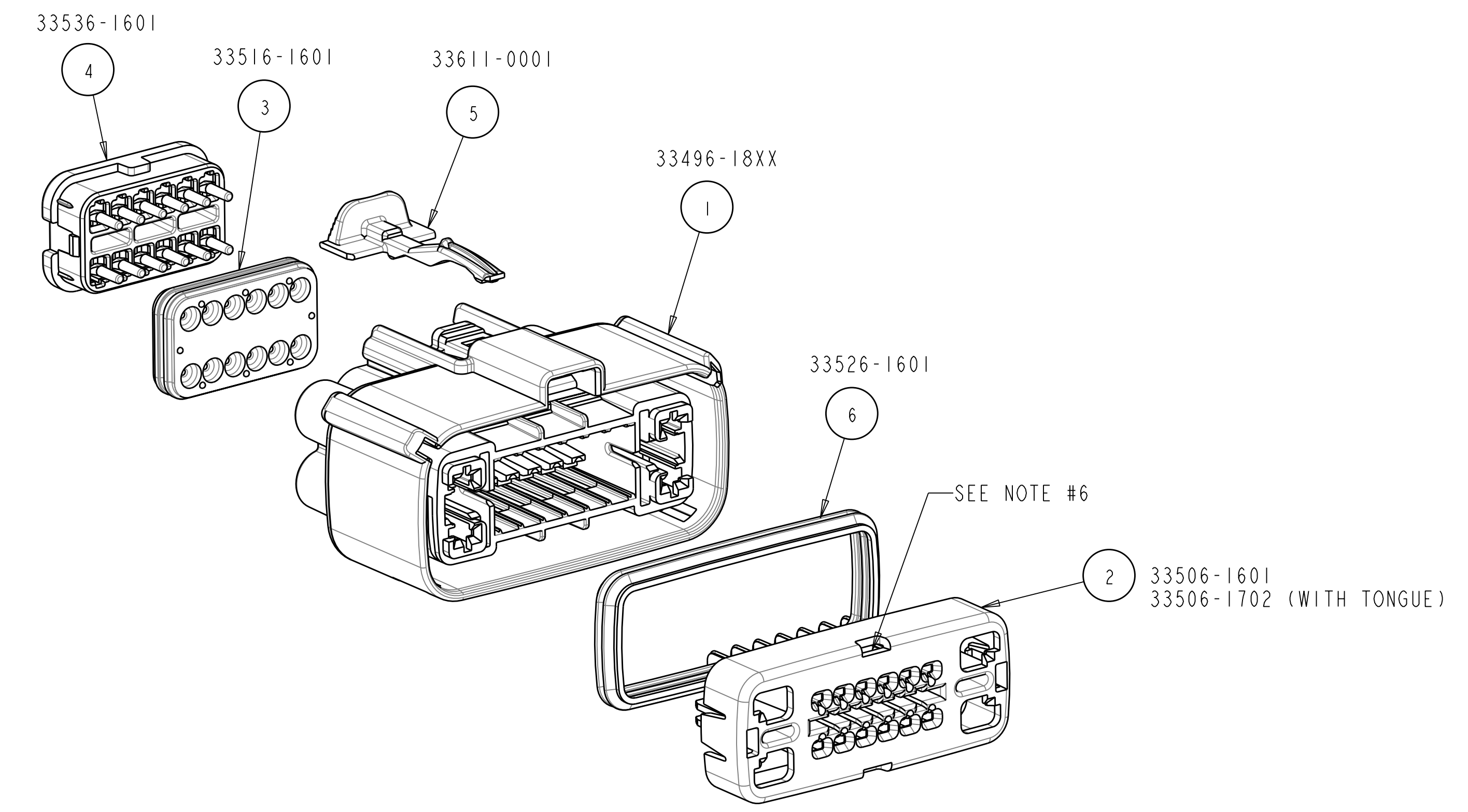
SECTION B-B  
(RECEPTACLE INSERT WITH  
SHORTING BAR LIFTER  
SHOWN IN FULL-LOCK)  
SEE NOTE #2



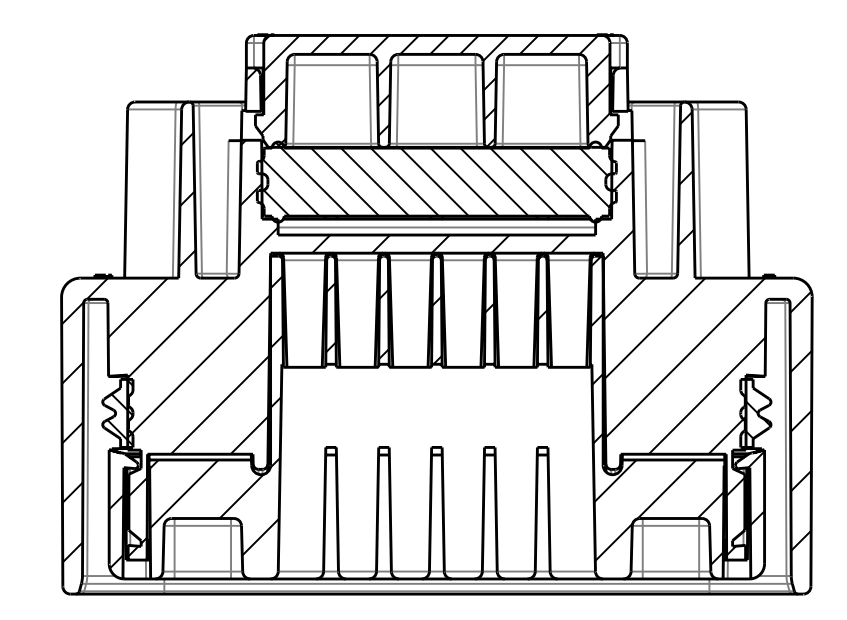
SECTION B-B  
(RECEPTACLE INSERT  
SHOWN IN PRE-LOCK)  
SEE NOTE #2



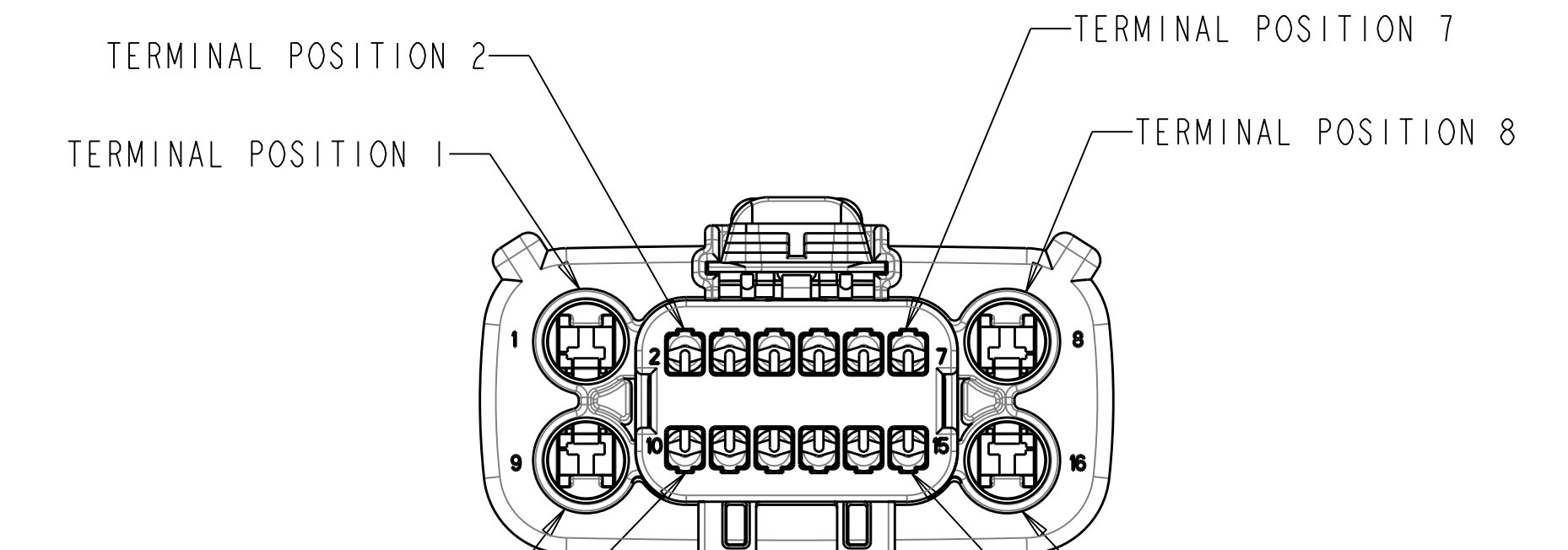
SECTION B-B  
(RECEPTACLE INSERT  
SHOWN IN FULL-LOCK)  
SEE NOTE #2



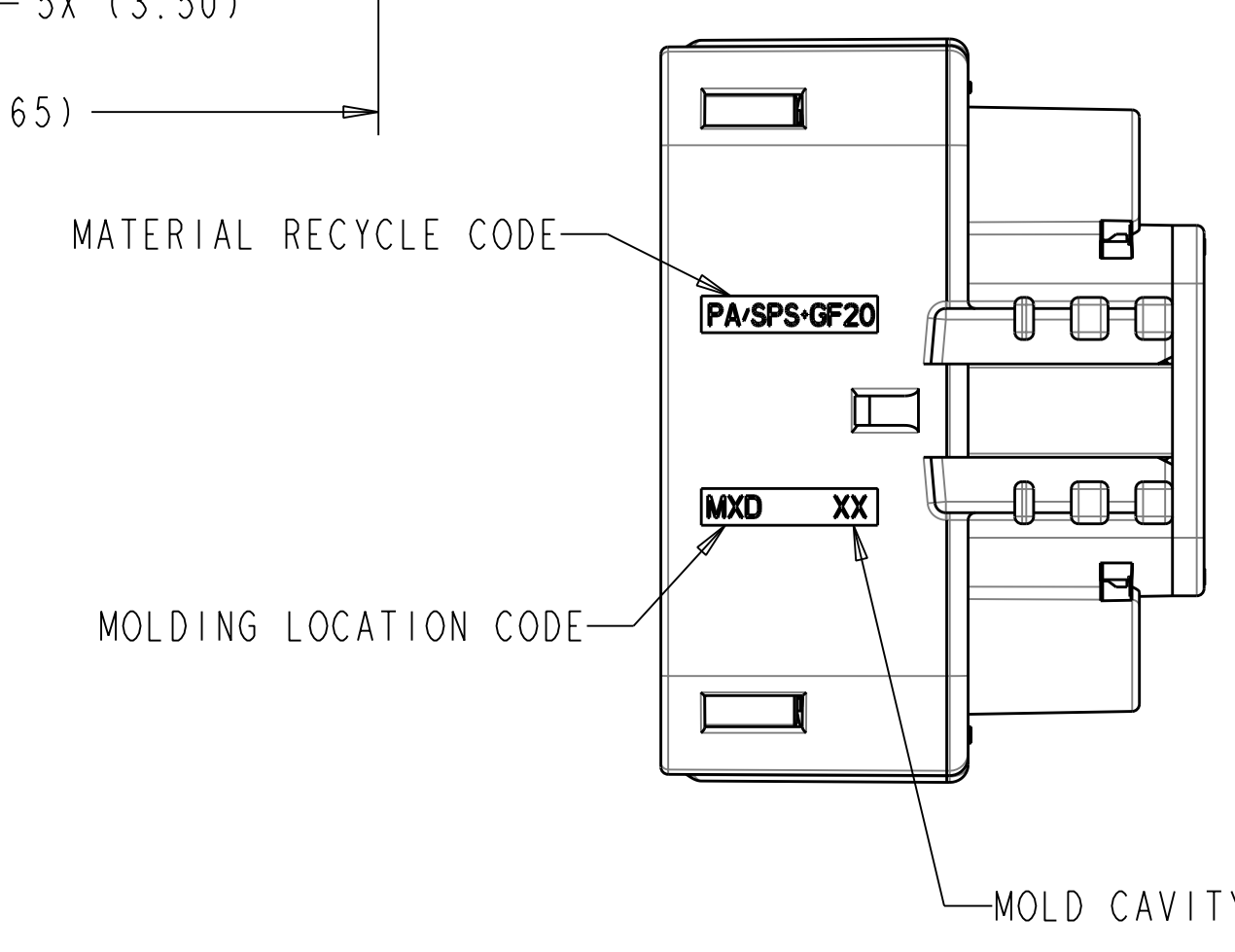
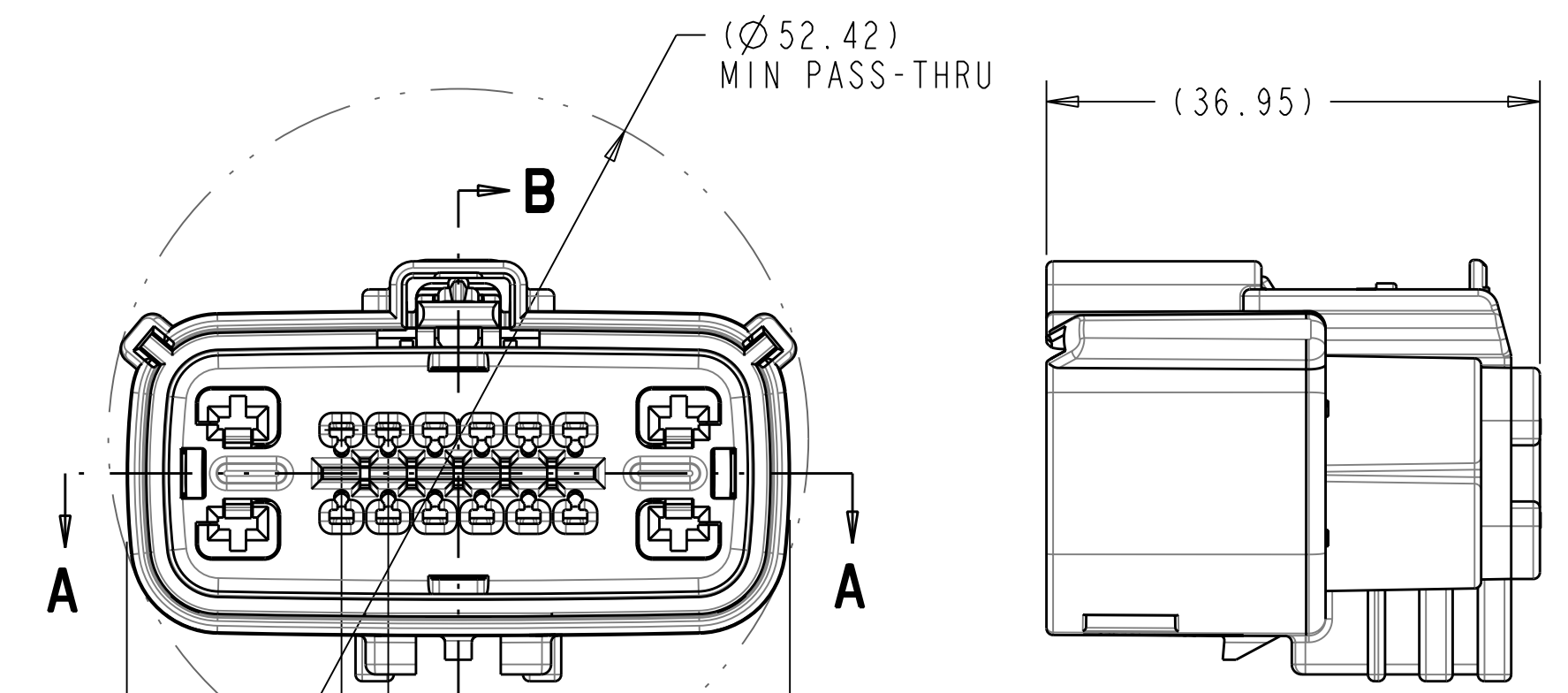
SCALE 1:1



SECTION A-A



REAR VIEW  
(WIRE HARNESS SIDE)



- NOTES: UNLESS OTHERWISE SPECIFIED
- DESIGNED TO MATE WITH BLADE HOUSING ASSEMBLY SPECIFIED IN CHARTED DRAWING E-33486-161 OR DEVICE CONNECTION AS SPECIFIED IN DRAWING E-33586-161. SEE CHART
  - ASSEMBLY SHIPPED WITH RECEPTACLE INSERT IN PRE-LOCK POSITION (SEE SECTION B-B PRE-LOCK). UPON FULL TERMINAL ASSEMBLY, EACH RECEPTACLE INSERT MUST BE SNAPPED INTO ITS FINAL-LOCK POSITION.
  - FOR 1.5mm RECEPTACLE TERMINALS TO BE USED WITH THIS ASSEMBLY, SEE MOLEX DRAWING E-33012-001. FOR FORD 2.8mm FEMALE RECEPTACLE SEE CHART.
  - SYSTEM TO BE USED WITH WIRE WITHIN Ø RANGE OF 1.2mm TO 2.4mm.
  - OPTIONAL CPA SHOWN IN ALL VIEWS. SEE TABLES FOR SPECIFIC ASSEMBLY OPTION AND NUMBER. CPA MUST BE INSERTED TO THE PRE-LOCK POSITION, AS SHOWN IN SECTION B-B. WHEN CORRECTLY SEATED THE CPA DOES NOT MOVE, FREELY.
  - SERVICE WITH SCREWDRIVER.
  - REFER TO TABLE ON SHEET 2 OF THIS DRAWING FOR ALL PART NUMBER CONFIGURATION OPTIONS.
  - REFER TO ASSEMBLY DRAWING E-33476-161 FOR RECEPTACLE WITHOUT CLIP SLOT OPTIONS.
  - 9a. ENGAGEMENT FORCE - NO TERMINALS (PRE TO FINAL): 15N MIN.  
9b. ENGAGEMENT FORCE - WITH TERMINALS (PRE TO FINAL): 60N MAX.  
9c. DISENGAGEMENT FORCE - WITH TERMINALS (FINAL TO PRE): 18N MIN, 60N MAX.  
9d. PARTIALLY INSTALLED TERMINAL DETECTION - 80N MIN OR 40N GREATER THAN (b) WHICHEVER IS GREATER.  
9e. REMOVAL FORCE - WITH TERMINALS (FINAL TO OUT OF CONNECTOR): 25N MIN.

TYCO 2.8mm CABLE SEAL TERMINAL	
FORD P/N	GRIP SIZE
IFIT-14474-RA	12
IFIT-14474-JA	14
IFIT-14474-HA	16
IFIT-14474-GA	18
IFIT-14474-FA	20
IFIT-14474-EA	22

EC NO: UAU2005-0053	DRWN: D.GRIFFITHS 08-11-04
CH'K: D.GRIFFITHS 08-11-04	APPR: D.GRIFFITHS 08-11-04
REV	DESCRIPTION
M	

QUALITY SYMBOLS	GENERAL TOLERANCES (UNLESS SPECIFIED)	
	mm	INCH
4 PLACES	± .10	± .004
3 PLACES	± .15	± .005
2 PLACES	± 0.10	± .004
1 PLACE	± 0.3	± .012
	ANGULAR ± 3°	

SCALE 2:1	DESIGN UNITS mm
DIMENSION STYLE mm	
DRAWN BY D.GRIFFITHS	DATE 05-21-03
CHECKED BY D.GRIFFITHS	DATE 05-21-03
APPROVED BY D.GRIFFITHS	DATE 05-21-03

THIRD ANGLE PROJECTION	REVISE ON CAD ONLY
TITLE 1.5mm/2.8mm HYBRID CONNECTOR, RCPT 2 ROW HOUSING w/ CLIP SLOT SEALED, 16 WAY	
MOLEX MOLEX INCORPORATED	
MATERIAL NO. -	DOCUMENT NO. SD-33476-181
SHEET NO. 1 OF 2	

THIS DRAWING CONTAINS INFORMATION THAT IS PROPRIETARY TO MOLEX INCORPORATED AND SHOULD NOT BE USED WITHOUT WRITTEN PERMISSION

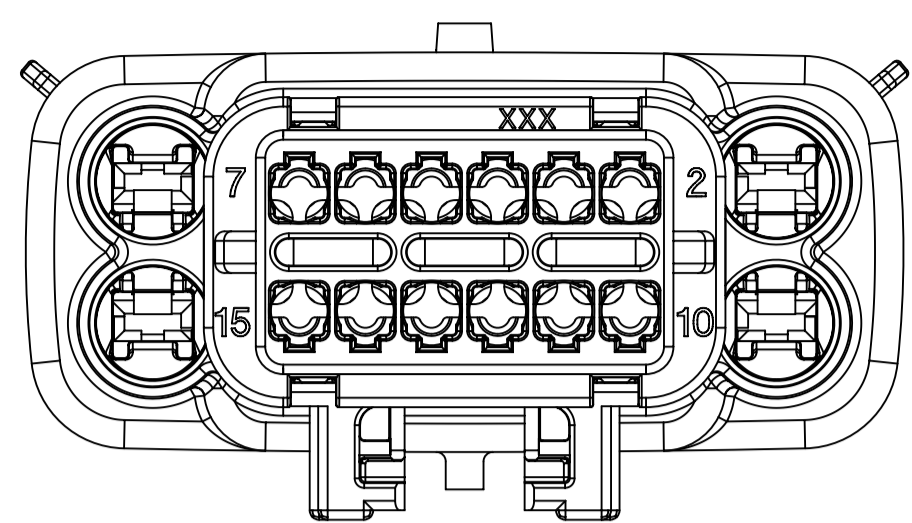
T	ASSEMBLY PART NUMBER	HOUSING PART NUMBER	COLOR	KEYING OPTION	MAT SEAL CAP	CAVITY TYPE & STATUS (X = PLUGGED)										CPA	INTERFACE SEAL	MAT SEAL	INSERT/TPA	
						2	3	4	5	6	7	10	11	12	13					14
T	33476-1713	33496-1806	BLACK	E	33536-1601													33526-1601	33516-1601	33506-1702
T	33476-1841	33496-1801	BLACK	A	33536-1601													33526-1601	33516-1601	33506-1601
T	33476-1848	33496-1801	BLACK	A	33536-1601	X											33611-0001	33526-1601	33516-1601	33506-1601
T	33476-1849	33496-1801	BLACK	A	33536-1601												33611-0001	33526-1601	33516-1601	33506-1601
S	33476-1850	33496-1801	BLACK	A	33536-1601	X					X	X						33526-1601	33516-1601	33506-1601
S	33476-1851	33496-1807	LT. GRAY	F	33536-1601	X	X			X	X				X	X	X	33526-1601	33516-1601	33506-1702
S	33476-1852	33496-1807	LT. GRAY	F	33536-1601					X								33526-1601	33516-1601	33506-1702
S	33476-1853	33496-1807	LT. GRAY	F	33536-1601	X	X			X					X			33526-1601	33516-1601	33506-1702
S	33476-1854	33496-1807	LT. GRAY	F	33536-1601					X					X			33526-1601	33516-1601	33506-1702
R	33476-1855	33496-1807	LT. GRAY	F	33536-1601	X				X		X	X		X			33526-1601	33516-1601	33506-1702
R	33476-1856	33496-1807	LT. GRAY	F	33536-1601					X					X			33526-1601	33516-1601	33506-1702
R	33476-1857	33496-1807	LT. GRAY	F	33536-1601					X			X	X				33526-1601	33516-1601	33506-1702
R	33476-1858	33496-1807	LT. GRAY	F	33536-1601	X	X			X					X			33526-1601	33516-1601	33506-1702
R	33476-1859	33496-1807	LT. GRAY	F	33536-1601										X			33526-1601	33516-1601	33506-1702
O	33476-1860	33496-1807	LT. GRAY	F	33536-1601	X	X	X	X	X		X						33526-1601	33516-1601	33506-1702
O	33476-1861	33496-1801	BLACK	A	33536-1601	X	X	X				X	X		X			33526-1601	33516-1601	33506-1601
O	33476-1862	33496-1806	BLACK	E	33536-1601	X										X		33526-1601	33516-1601	33506-1702
O	33476-1875	33496-1806	BLACK	E	33536-1601							X	X		X			33526-1601	33516-1601	33506-1702
O	33476-1876	33496-1806	BLACK	E	33536-1601					X	X	X	X		X			33526-1601	33516-1601	33506-1702
O	33476-1877	33496-1806	BLACK	E	33536-1601										X	X		33526-1601	33516-1601	33506-1702
P	33476-1878	33496-1806	BLACK	E	33536-1601										X			33526-1601	33516-1601	33506-1702
P	33476-1881	33496-1801	BLACK	A	33536-1601					X	X				X			33526-1601	33516-1601	33506-1601
P	33476-1891	33496-1801	BLACK	A	33536-1601	X	X			X								33526-1601	33516-1601	33506-1601
P	33476-1892	33496-1806	BLACK	E	33536-1601	X	X								X	X		33526-1601	33516-1601	33506-1702
O	33476-1893	33496-1806	BLACK	E	33536-1601							X	X		X	X		33526-1601	33516-1601	33506-1702
O	33476-1894	33496-1807	LT. GRAY	F	33536-1601										X	X	X	33526-1601	33516-1601	33506-1702
O	33476-1895	33496-1809	YELLOW	H	33536-1601													33526-1601	33516-1601	33506-1702
O	33476-1896	33496-1809	YELLOW	H	33536-1601										X			33526-1601	33516-1601	33506-1702
O	33476-1897	33496-1807	LT. GRAY	F	33536-1601					X	X	X	X	X	X	X		33526-1601	33516-1601	33506-1702
N	33476-1898	33496-1807	LT. GRAY	F	33536-1601					X		X	X	X	X	X		33526-1601	33516-1601	33506-1702
N	33476-1899	33496-1809	YELLOW	H	33536-1601					X	X	X	X		X			33526-1601	33516-1601	33506-1702
N	33476-1900	33496-1809	YELLOW	H	33536-1601					X		X	X		X			33526-1601	33516-1601	33506-1702
N	33476-2201	33496-1806	BLACK	E	33536-1601													33526-1601	33516-1601	33506-1702
N	33476-2202	33496-1807	LT. GRAY	F	33536-1601	X	X			X	X				X	X	X	33526-1601	33516-1601	33506-1702
N	33476-2203	33496-1807	LT. GRAY	F	33536-1601					X								33526-1601	33516-1601	33506-1702
M	33476-2204	33496-1807	LT. GRAY	F	33536-1601	X	X			X					X			33526-1601	33516-1601	33506-1702
M	33476-2205	33496-1807	LT. GRAY	F	33536-1601					X					X			33526-1601	33516-1601	33506-1702
M	33476-2206	33496-1807	LT. GRAY	F	33536-1601	X				X		X	X					33526-1601	33516-1601	33506-1702
M	33476-2207	33496-1807	LT. GRAY	F	33536-1601					X					X			33526-1601	33516-1601	33506-1702
M	33476-2208	33496-1807	LT. GRAY	F	33536-1601					X			X	X				33526-1601	33516-1601	33506-1702
L	33476-2209	33496-1807	LT. GRAY	F	33536-1601	X	X			X		X						33526-1601	33516-1601	33506-1702
L	33476-2210	33496-1807	LT. GRAY	F	33536-1601							X						33526-1601	33516-1601	33506-1702
L	33476-2211	33496-1807	LT. GRAY	F	33536-1601	X	X	X	X	X								33526-1601	33516-1601	33506-1702

EC NO: UAU2005-0053 DRWN: D.GRIFFITHS 08-11-04 CHK: D.GRIFFITHS 08-11-04 APPR: D.GRIFFITHS 08-11-04	QUALITY SYMBOLS 	GENERAL TOLERANCES (UNLESS SPECIFIED)		SCALE 2.000	DESIGN UNITS mm	THIRD ANGLE PROJECTION REVISE ON CAD ONLY		
		4 PLACES	± .00	± .00	DIMENSION STYLE mm		TITLE	
		3 PLACES	± .01	± .01	DRAWN BY D.GRIFFITHS DATE 05-21-03		MOLEX INCORPORATED	
		2 PLACES	± 0.10	± .01	CHECKED BY D.GRIFFITHS DATE 05-21-03			
1 PLACE	± 0.3	± .01	APPROVED BY D.GRIFFITHS DATE 05-21-03		MATERIAL NO. -	DOCUMENT NO. SD-33476-181		SHEET NO. 2 OF 2
M	REV	THIS DRAWING CONTAINS INFORMATION THAT IS PROPRIETARY TO MOLEX INCORPORATED AND SHOULD NOT BE USED WITHOUT WRITTEN PERMISSION						

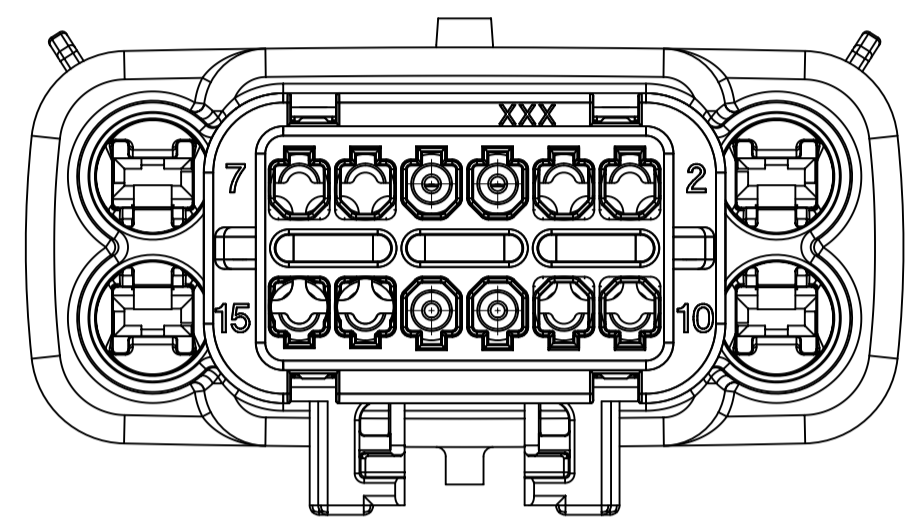


# SHEET DESCRIPTION

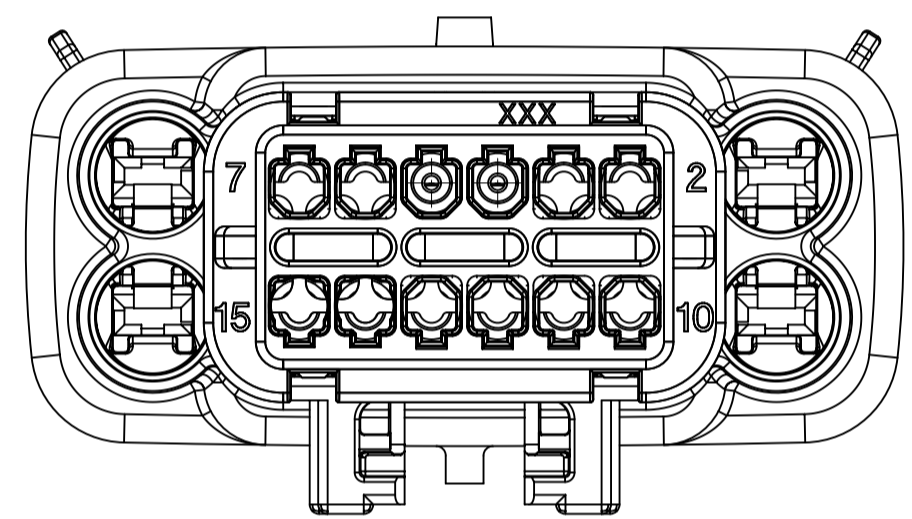
## CONFIGURATIONS



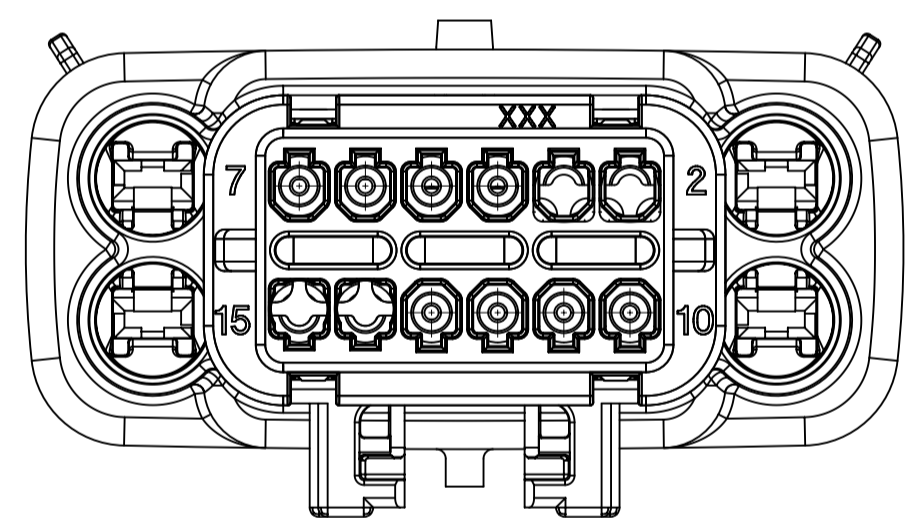
STANDARD GROMMET CAP



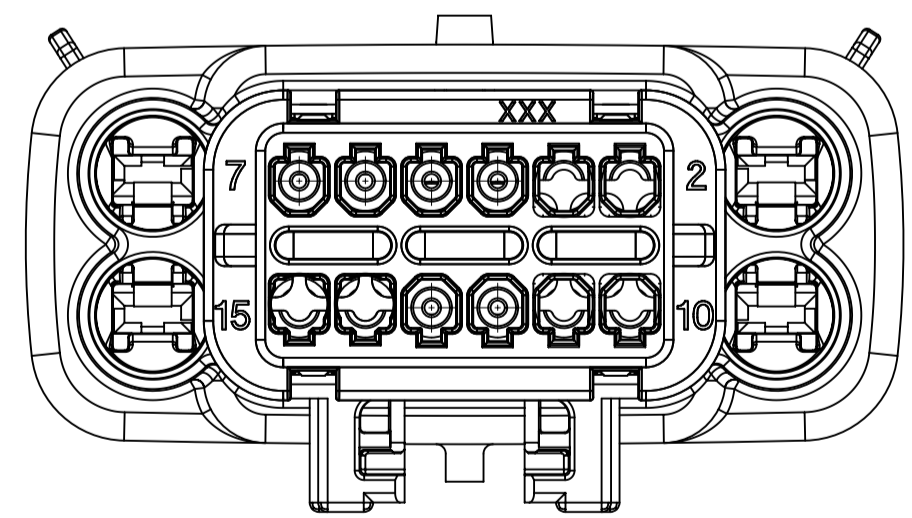
SHORTING BAR GROMMET CAP 1



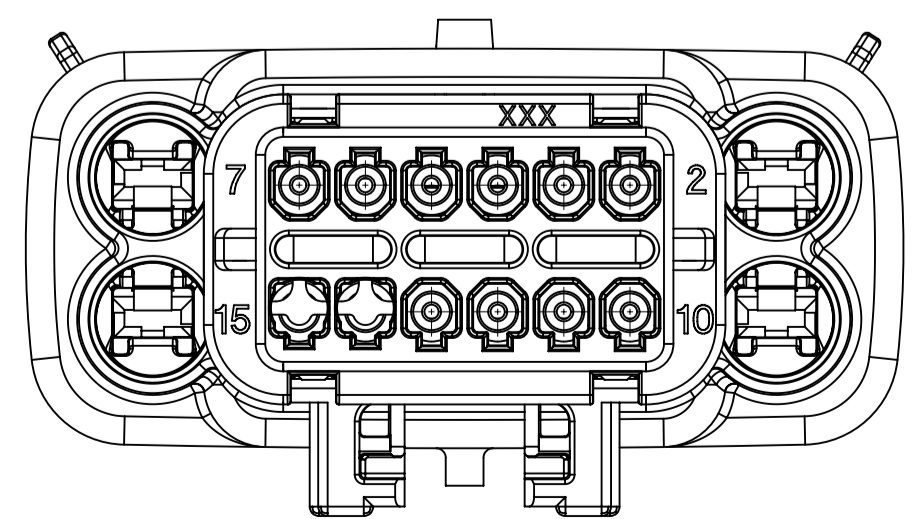
SHORTING BAR GROMMET CAP 2



SHORTING BAR GROMMET CAP 3



SHORTING BAR GROMMET CAP 4

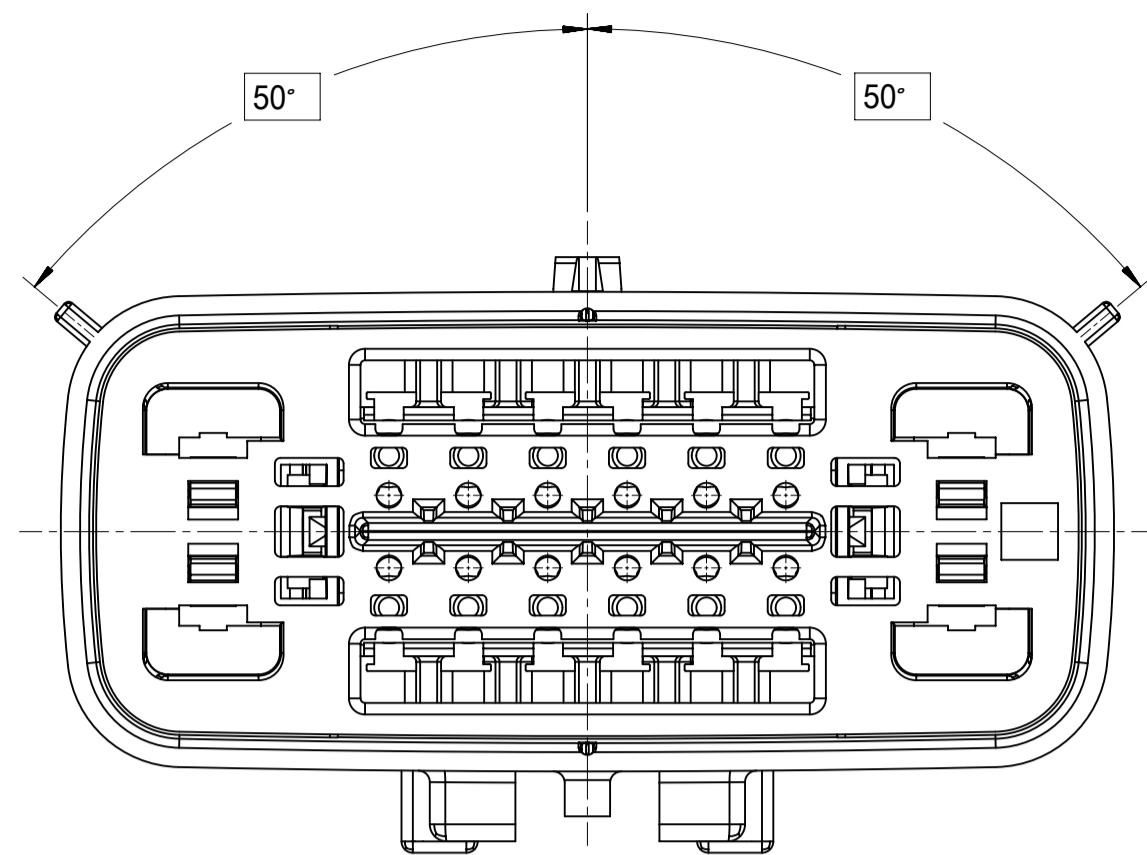


SHORTING BAR GROMMET CAP 5

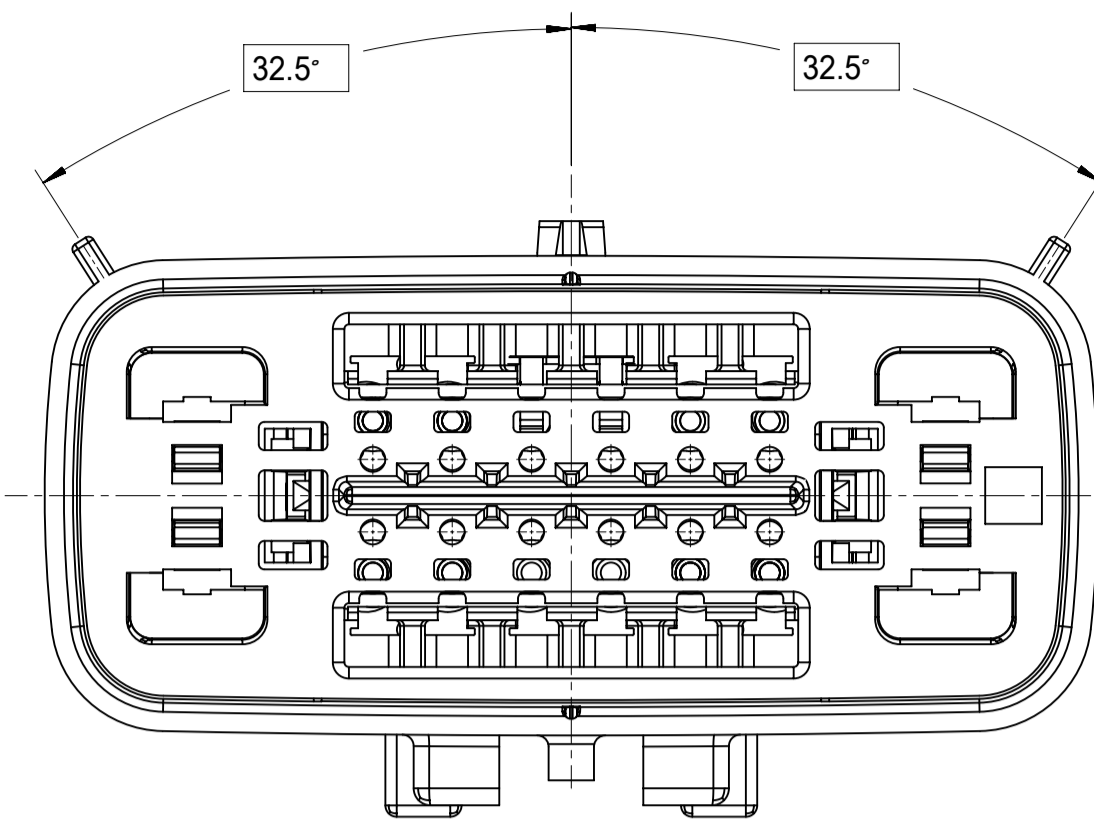
SYMBOLS	THIS DRAWING CONTAINS INFORMATION THAT IS PROPRIETARY TO MOLEX ELECTRONIC TECHNOLOGIES, LLC AND SHOULD NOT BE USED WITHOUT WRITTEN PERMISSION		CURRENT REV DESC:					
	DIMENSION UNITS	SCALE						EC NO: 177763
▽ = 0	mm	2.5:1	GENERAL TOLERANCES (UNLESS SPECIFIED)		CHK'D: MVANSLAMBROU	2018/06/12	PRODUCT CUSTOMER DRAWING	
▽ = 0	ANGULAR TOL ± 3.0°		APPR: MVANSLAMBROU		2018/06/12	DOCUMENT NUMBER		
▽ = 0	4 PLACES ±		INITIAL REVISION:		DRWN: APROFFITT	2013/05/06	SD-34986-8001	
▽ = 0	3 PLACES ±		APPR: VKOSHY		2013/05/16	DOC TYPE		
▽ = 0	2 PLACES ± 0.1		DRWN: APROFFITT		2013/05/06	PSD	001	
▽ = 0	1 PLACE ± 0.3		APPR: VKOSHY		2013/05/16			C1
▽ = 0	0 PLACES ±		DRAFT WHERE APPLICABLE MUST REMAIN WITHIN DIMENSIONS		THIRD ANGLE PROJECTION	DRAWING	SERIES	
▽ = 0						A1-SIZE	34986	MATERIAL NUMBER
								CUSTOMER
								GENERAL MARKET
								SHEET NUMBER
								2 OF 5

# SHEET DESCRIPTION

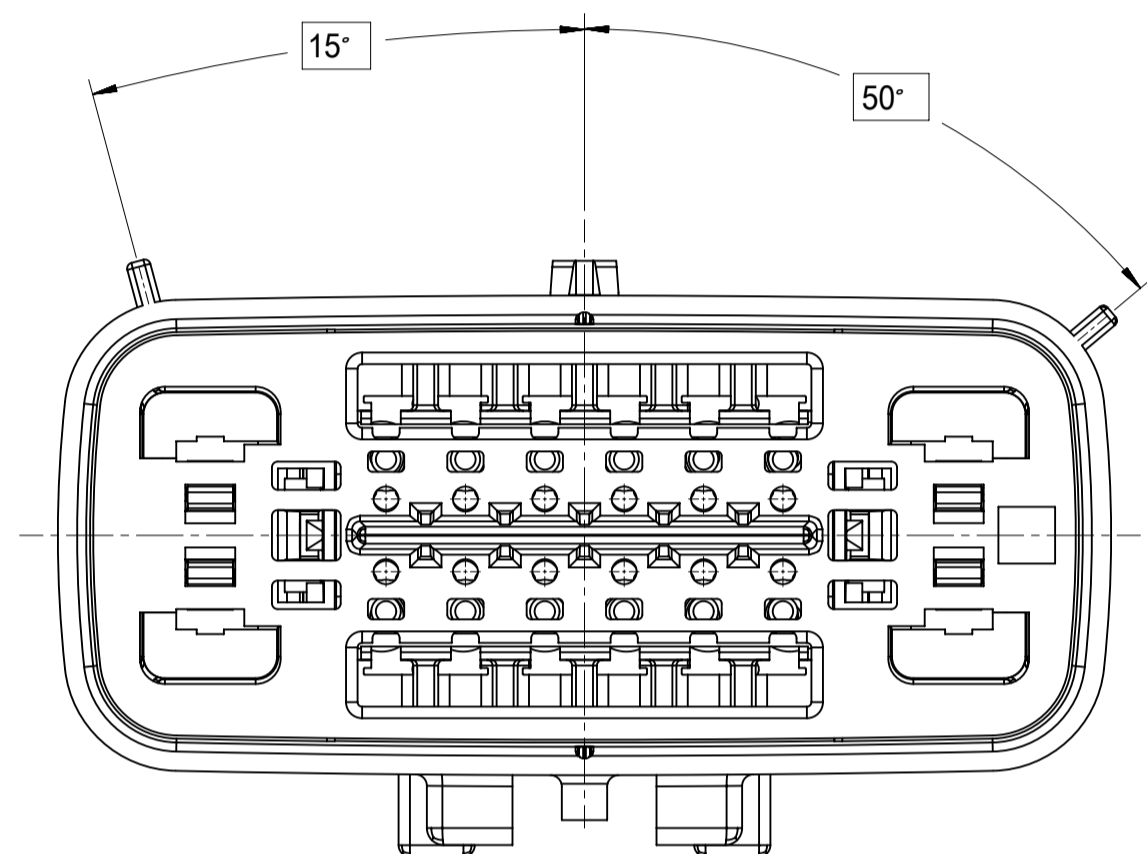
## KEY CONFIGURATIONS



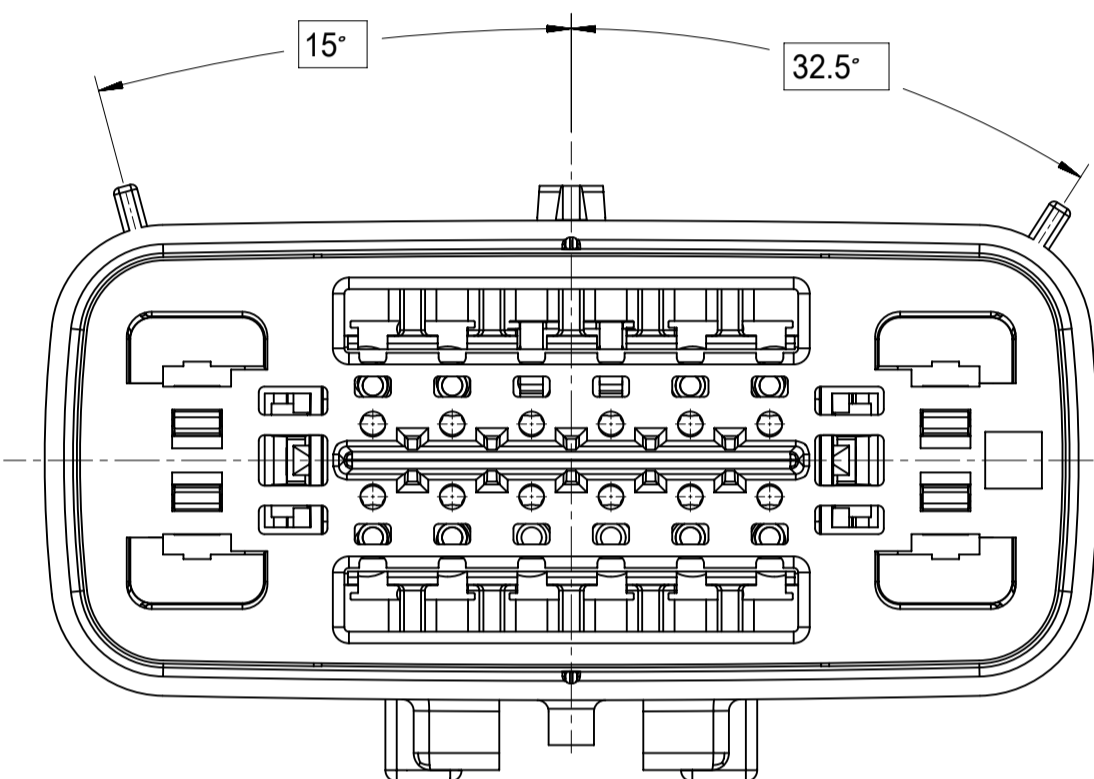
KEY A



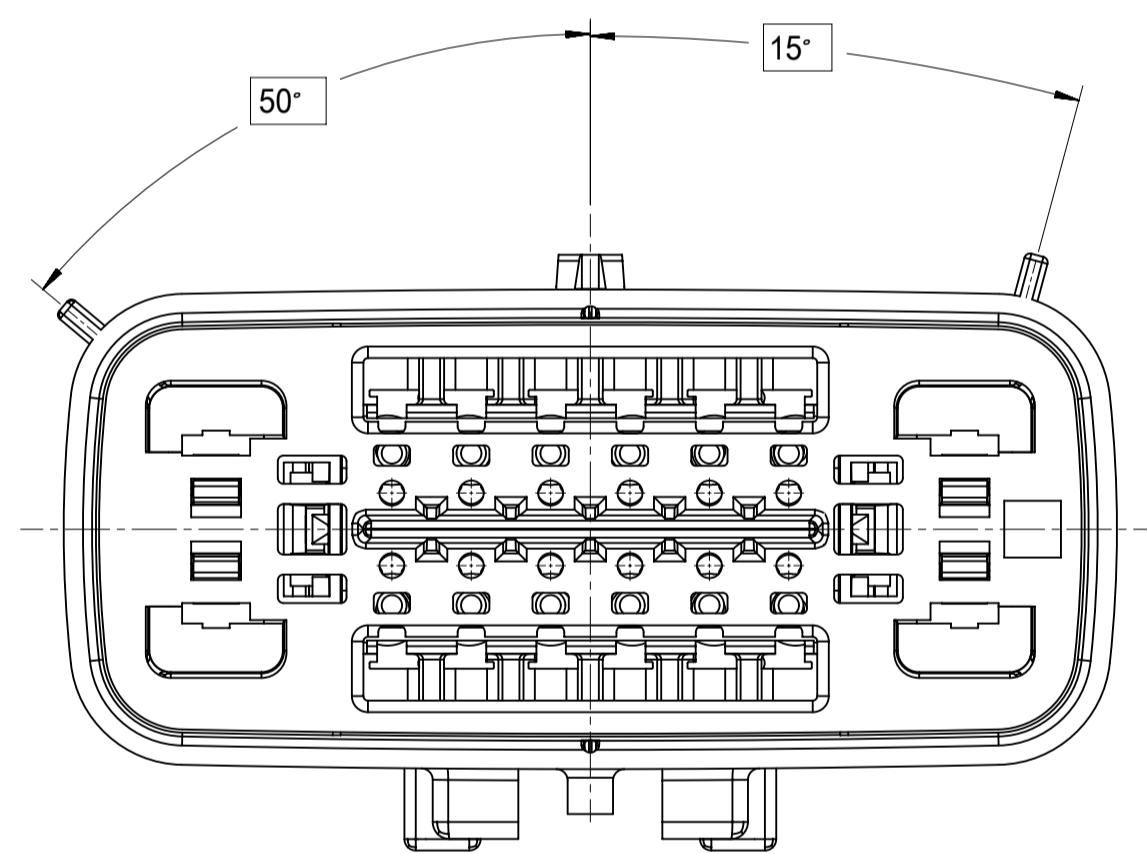
KEY E



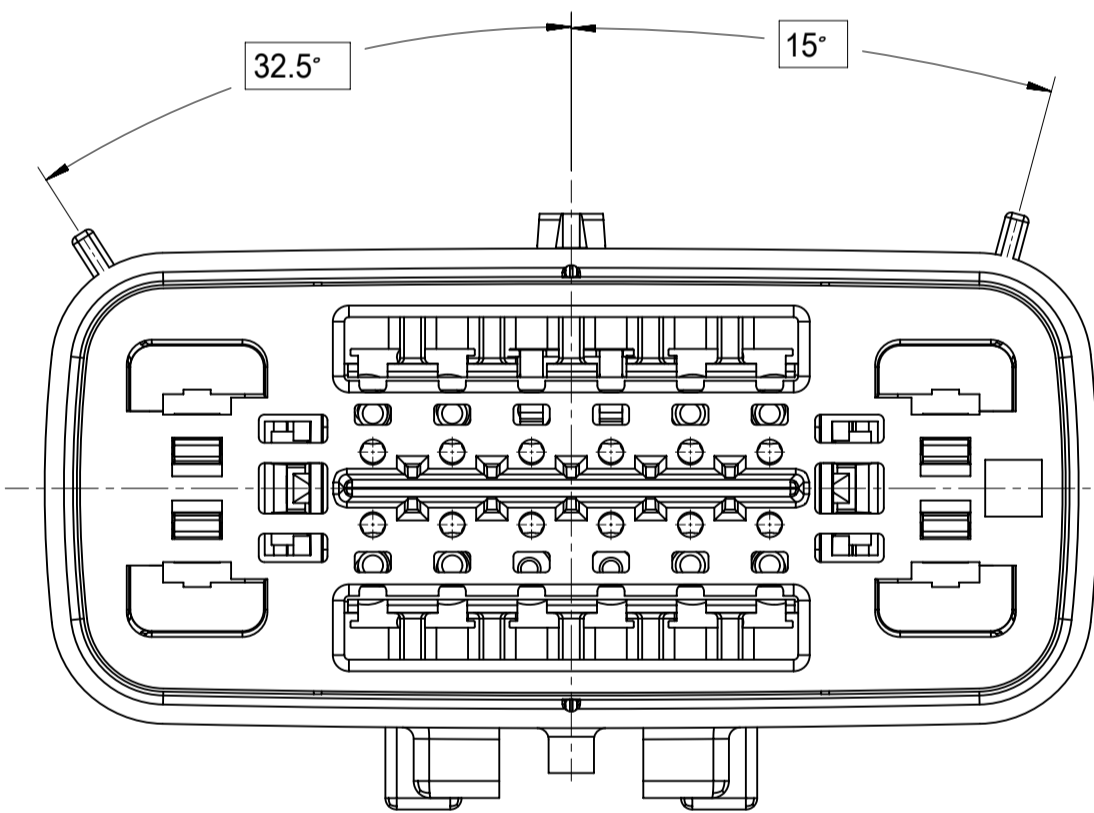
KEY B



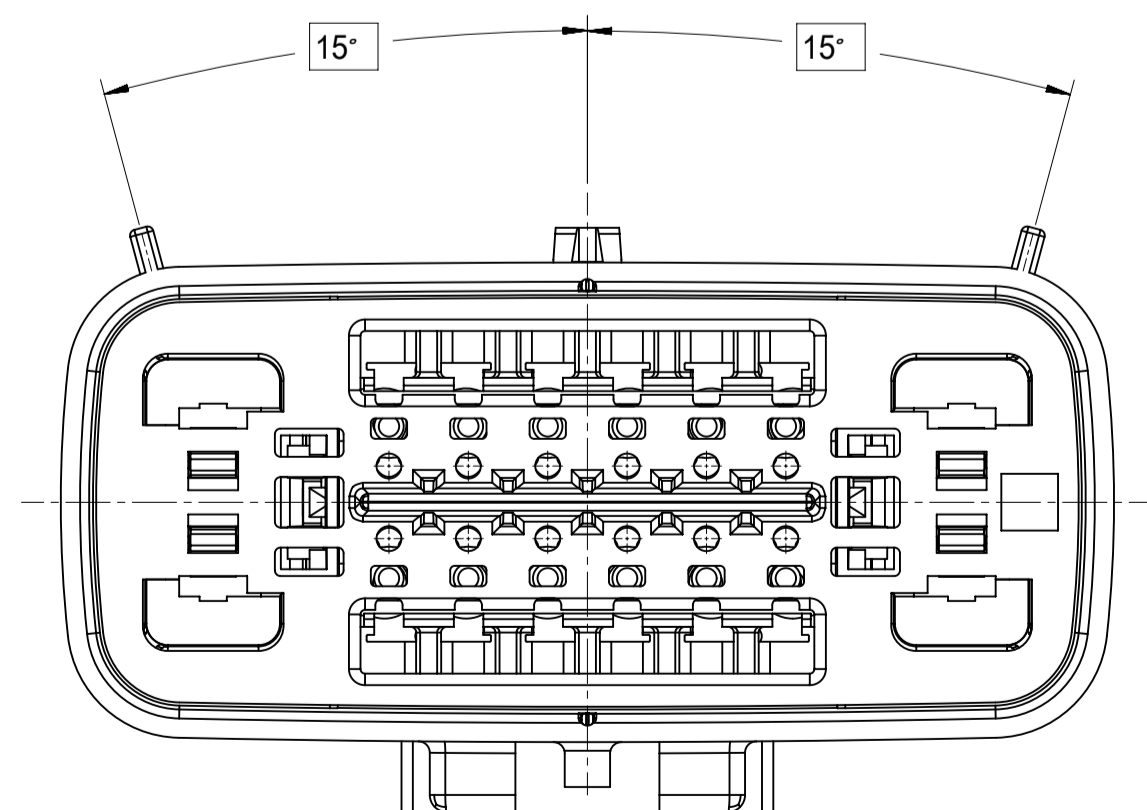
KEY F



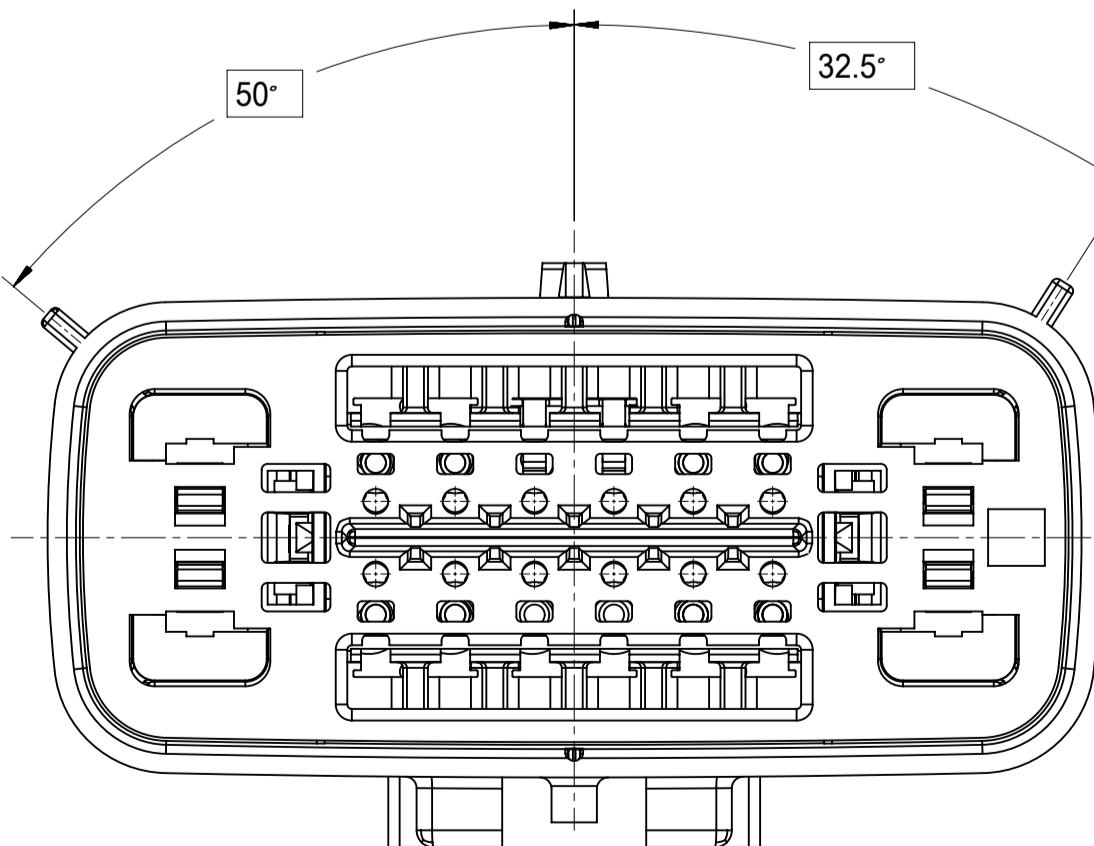
KEY C



KEY G



KEY D



KEY H

SYMBOLS	THIS DRAWING CONTAINS INFORMATION THAT IS PROPRIETARY TO MOLEX ELECTRONIC TECHNOLOGIES, LLC AND SHOULD NOT BE USED WITHOUT WRITTEN PERMISSION		CURRENT REV DESC:	
	DIMENSION UNITS	SCALE		
▽ = 0	mm	3:1		
▽ = 0	GENERAL TOLERANCES (UNLESS SPECIFIED)			
▽ = 0	ANGULAR TOL ± 3.0°			
▽ = 0	4 PLACES	±	EC NO: 177763	
▽ = 0	3 PLACES	±	DRWN: LSONG05 2018/05/30	
▽ = 0	2 PLACES	± 0.1	CHK'D: MVANSLAMBROU 2018/06/12	
▽ = 0	1 PLACE	± 0.3	APPR: MVANSLAMBROU 2018/06/12	
▽ = 0	0 PLACES	±	INITIAL REVISION:	
⊠ = 0	DRAFT WHERE APPLICABLE MUST REMAIN WITHIN DIMENSIONS		DRWN: APROFFITT 2013/05/06	
⊠ = 0			APPR: VKOSHY 2013/05/16	
⊠ = 0	THIRD ANGLE PROJECTION	DRAWING	SERIES	DOCUMENT NUMBER
		A1-SIZE	34986	SD-34986-8001
				DOC TYPE   DOC PART   REVISION
				PSD   001   C1
				PRODUCT CUSTOMER DRAWING
				MATERIAL NUMBER   CUSTOMER   SHEET NUMBER
				GENERAL MARKET   3 OF 5

**molex**

MX150 16 WAY HYBRID  
BLADE SEALED ASSEMBLY

PRODUCT CUSTOMER DRAWING

SD-34986-8001

PSD 001 C1

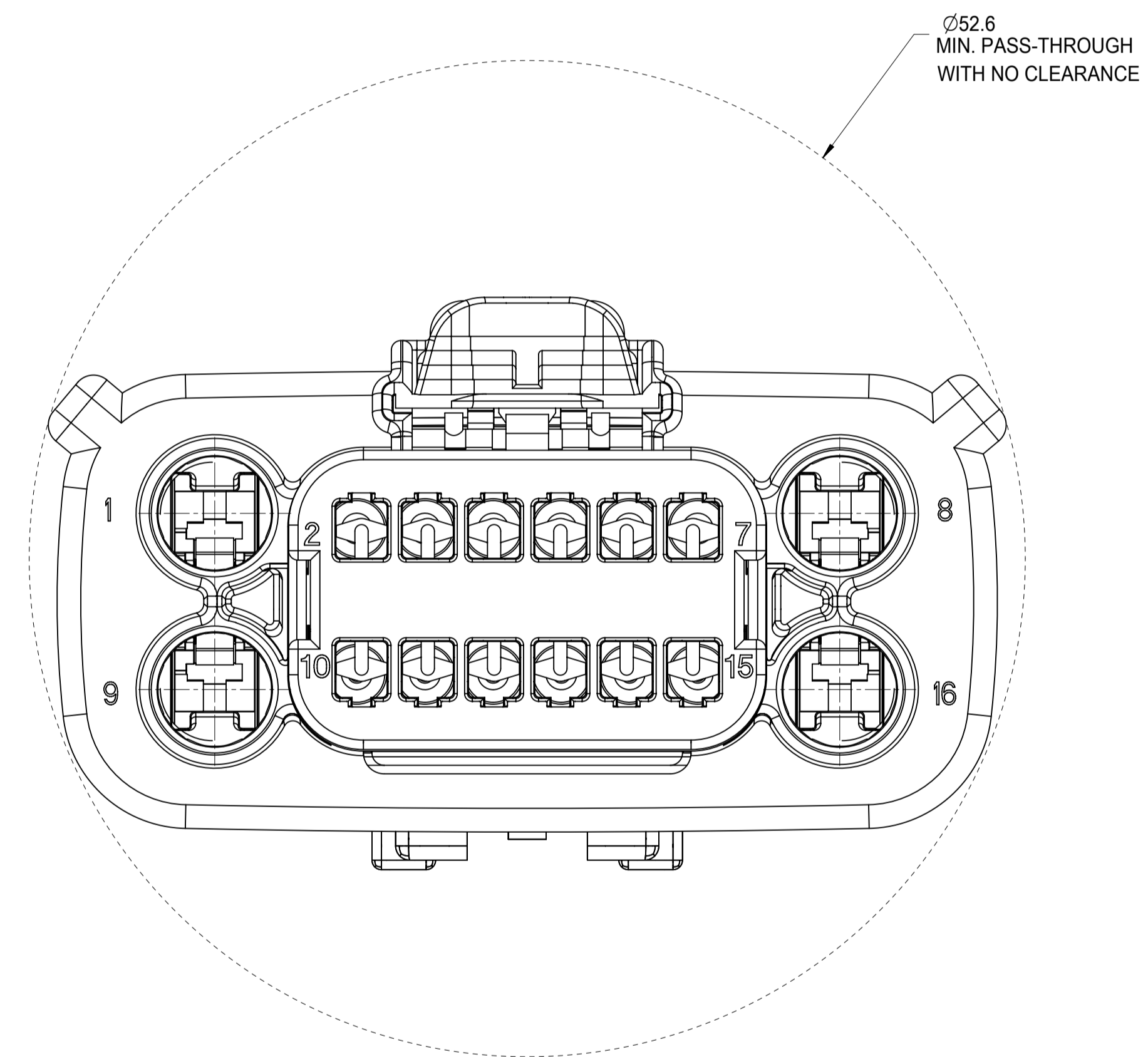
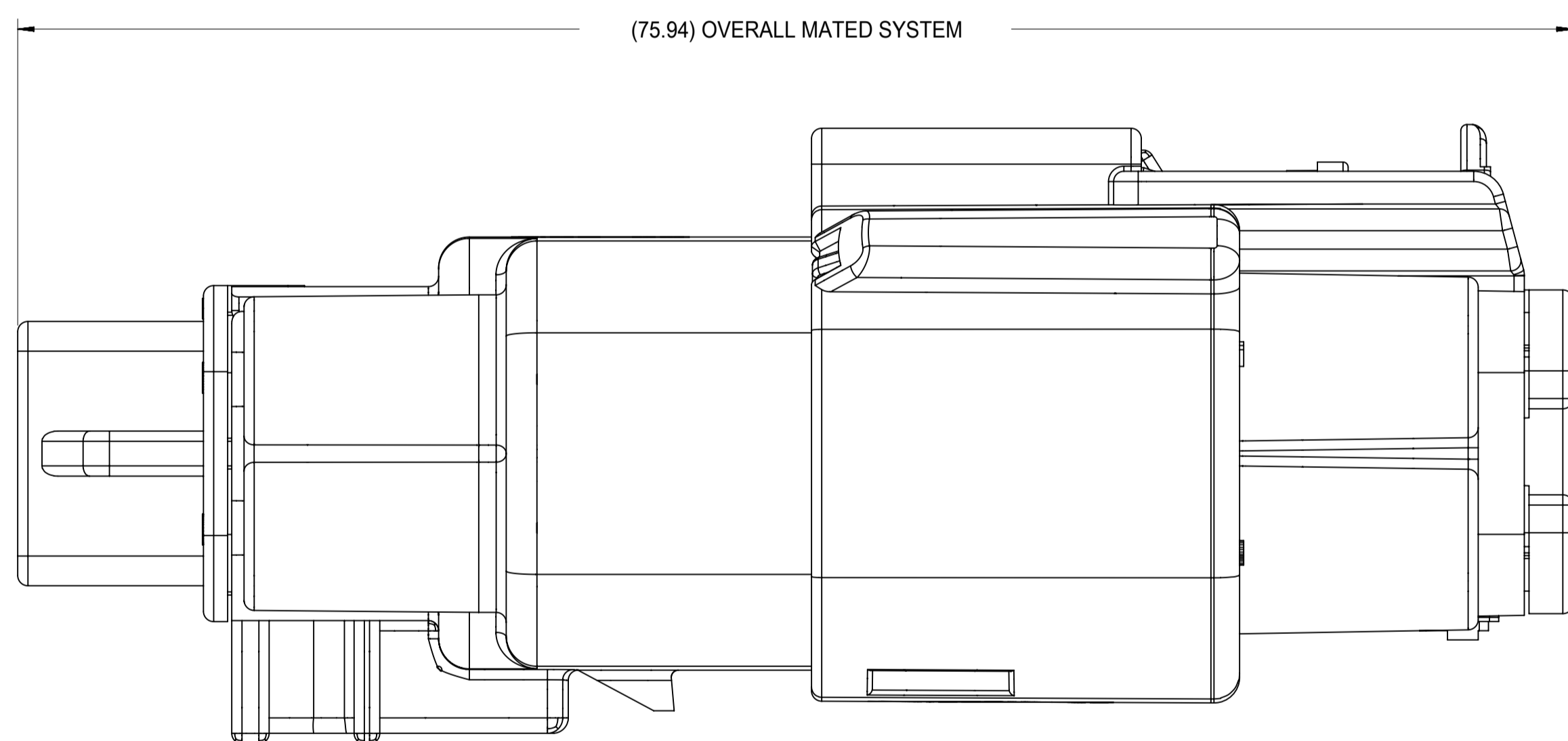
GENERAL MARKET 3 OF 5





# SHEET DESCRIPTION

SYSTEM PACKAGING



SYMBOLS		THIS DRAWING CONTAINS INFORMATION THAT IS PROPRIETARY TO MOLEX ELECTRONIC TECHNOLOGIES, LLC AND SHOULD NOT BE USED WITHOUT WRITTEN PERMISSION		CURRENT REV DESC:		molex	
▽ = 0	DIMENSION UNITS	mm	SCALE	3:1		MX150 16 WAY HYBRID BLADE SEALED ASSEMBLY	
▽ = 0	GENERAL TOLERANCES (UNLESS SPECIFIED)		EC NO: 177763		PRODUCT CUSTOMER DRAWING		
▽ = 0	ANGULAR TOL ± 3.0°		DRWN: LSONG05 2018/05/30		DOCUMENT NUMBER		DOC TYPE   DOC PART   REVISION
▽ = 0	4 PLACES ±	CHK'D: MVANSLAMBROU 2018/06/12		SD-34986-8001		PSD	001   C1
▽ = 0	3 PLACES ±	APPR: MVANSLAMBROU 2018/06/12		INITIAL REVISION:			
▽ = 0	2 PLACES ± 0.1	DRWN: APROFFITT 2013/05/06		DRWN: APROFFITT 2013/05/06		MATERIAL NUMBER	
▽ = 0	1 PLACE ± 0.3	APPR: VKOSHY 2013/05/16		APPR: VKOSHY 2013/05/16		CUSTOMER	
☒ = 0	DRAFT WHERE APPLICABLE MUST REMAIN WITHIN DIMENSIONS		THIRD ANGLE PROJECTION		DRAWING		SHEET NUMBER
■ = 0			A1-SIZE		SERIES		GENERAL MARKET
▽ = 0			34986				5 OF 5



MX150 16 WAY HYBRID BLADE SEALED ASSEMBLY MAT SEAL (2.8mm CAVITIES OPEN)
BOM AND PIN OUT SHEET

Main table with columns: ASSEMBLY DESCRIPTION, ASSEMBLY PART NUMBER, COMPONENT (HOUSING KEY/COLOR, GROMMET CAP, PLR, MAT SEAL, SB QTY), BLOCKED TERMINALS (1-16), STATUS, COMMENTS, and OPTIONAL ATTACHMENTS SOLD SEPARATELY (BACKSHELL WITH RIBS, BACKSHELL WITHOUT RIBS).



MX150 16 WAY HYBRID BLADE SEALED ASSEMBLY MAT SEAL (2.8mm CAVITIES OPEN)

BOM AND PIN OUT SHEET

Table with columns: ASSEMBLY DESCRIPTION, ASSEMBLY PART NUMBER, COMPONENT (HOUSING KEY/COLOR, GROMMET CAP, PLR, MAT SEAL, SB QTY), BLOCKED TERMINALS (1-16), STATUS, COMMENTS, and OPTIONAL ATTACHMENTS SOLD SEPARATELY (BACKSHELL WITH RIBS, BACKSHELL WITHOUT RIBS).





