

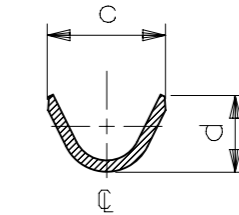
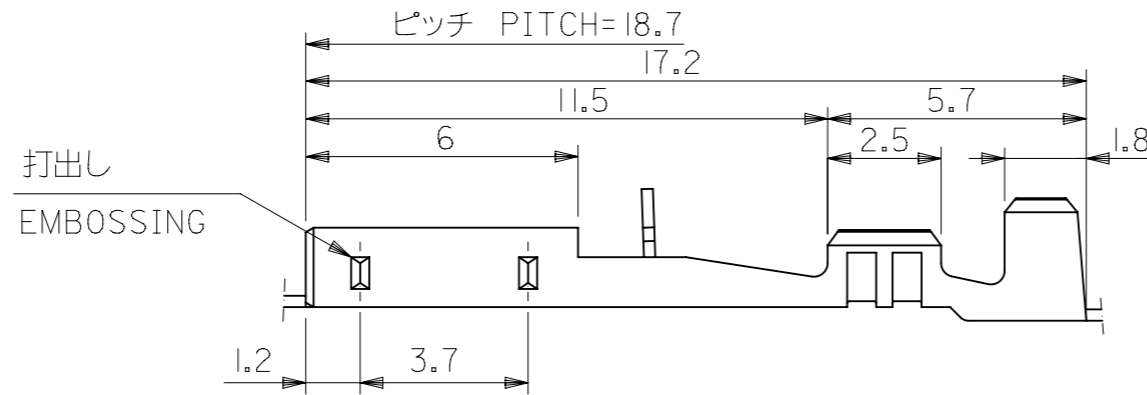
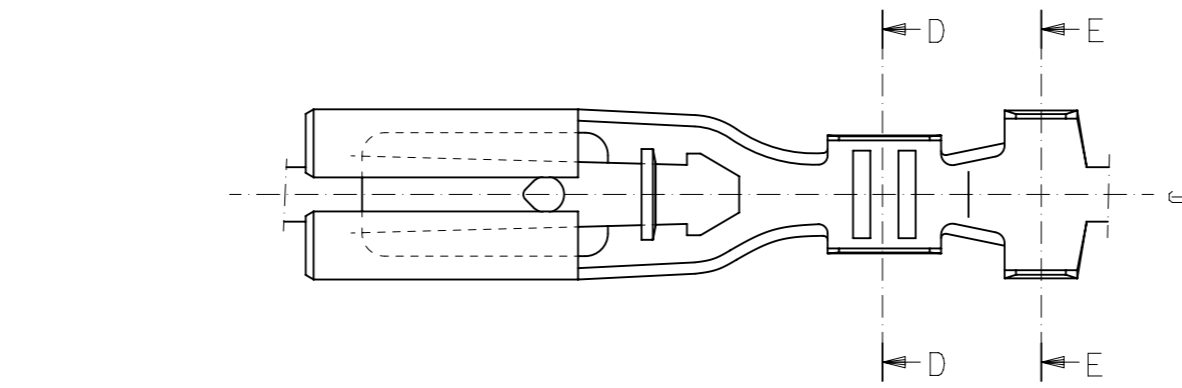
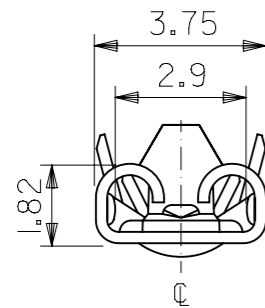
NOTES

- 1. MATERIAL: TIN-PLATED BRASS 0.25mm THICK'
- 2. FINISH: PRE-TIN PLATING
- 3. MATING TAB: 0.5(+) \times 2.8(w)

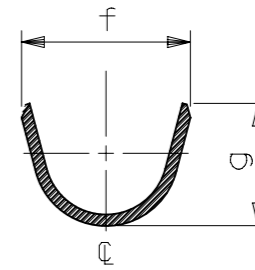
ENG.NO.	c	d	f	g	WIRE RANGE
35097-9702	2.0	1.85	3.3	3.0	AWG #26-#20
35097-9902	2.8	2.75	5.9	5.0	AWG #20 \times 2

THIS DRAWING CONTAINS INFORMATION THAT IS PROPRIETARY TO MOLEX ELECTRONIC TECHNOLOGIES, LLC AND SHOULD NOT BE USED WITHOUT WRITTEN PERMISSION

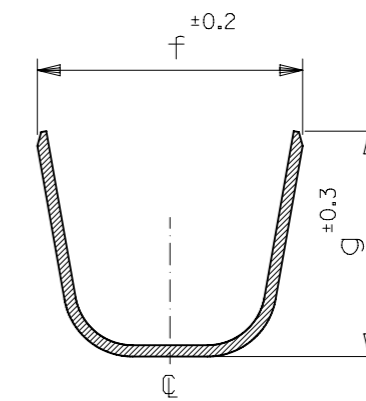
DIMENSION UNITS mm	SCALE 6:1	CURRENT REV DESC: OBSOLETE PART NO		molex		
GENERAL TOLERANCES (UNLESS SPECIFIED)		EC NO: 625872				
4 PLACES \pm		DRWN: AKUMAR19	2019/06/12	PRODUCT CUSTOMER DRAWING		
3 PLACES \pm		CHK'D: GB	2019/11/06	DOCUMENT NUMBER		
2 PLACES \pm 0.3		APPR: GGA	2019/11/12	SD-35097-9X02		
1 PLACE \pm 0.3		INITIAL REVISION:		DOC TYPE	DOC PART	REVISION
0 PLACES \pm		DRWN: W.Y.YANG	1996/12/02	PSD	001	E
ANGULAR TOL \pm 0.5°		APPR: C.D.LEE	1996/12/02	MATERIAL NUMBER		SHEET NUMBER
DRAFT WHERE APPLICABLE MUST REMAIN WITHIN DIMENSIONS	THIRD ANGLE PROJECTION	DRAWING	SERIES	CUSTOMER		1 OF 1
		B-SIZE	35097	SEE TABLE		



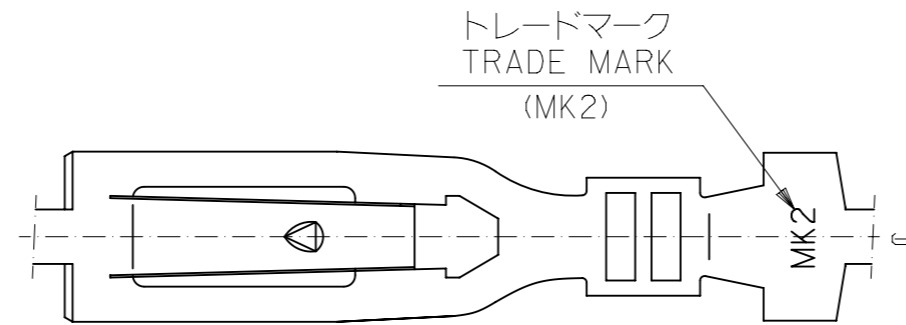
SECT D-D



SECT E-E



SECT E-E
35097-9902



注記
NOTES

- 1 材料：黄銅，厚さ0.25mm
MATERIAL :BRASS ,THICKNESS 0.25mm
- 2 メッキ仕様：錫メッキ
PRE-TIN PLATING
- 3 適合タブ 厚さ0.5mm、幅2.8mm
MATING TAB THICKNESS 0.5mm, WIDTH 2.8mm
- 4 製品番号
ENG. NO.

製品番号 ENG. NO.	c	d	f	g	電線サイズ WIRE SIZE
35097-9702	2.0	1.85	3.3	3.0	AWG #26~#20
35097-9902	2.8	2.75	5.9	5.0	AWG #20X2

- 5 一般公差：±0.3
GENERAL TOLERANCE : ±0.3

角度 ANGLE	公差 TOLERANCE
30°以上 OVER	±3°
10°以上 30°未満 OVER 30 UNDER	±0.3
10°未満 UNDER	±0.25
一般公差 GENERAL TOLERANCES	±0.2

材料 MATERIAL	注記参照 SEE NOTES
仕上げ FINISH	— —
適用電線範囲 WIRE RANGE	— —
被覆外径 INS. RANGE	— —

THIS DRAWING CONTAINS INFORMATION THAT IS PROPRIETARY TO MOLEX ELECTRONIC TECHNOLOGIES, LLC AND SHOULD NOT BE USED WITHOUT WRITTEN PERMISSION		CURRENT REV DESC: OBSOLETE PART NO		molex		
DIMENSION UNITS	SCALE	EC NO: 625872				
mm	6:1	DRWN: AKUMAR19 2019/06/12		.110 MP-LOCK RECEPTACLE TERMINAL		
GENERAL TOLERANCES (UNLESS SPECIFIED)		CHK'D: GB 2019/11/06				
4 PLACES	±	APPR: GGA 2019/11/12		PRODUCT CUSTOMER DRAWING		
3 PLACES	±	INITIAL REVISION:		DOCUMENT NUMBER		
2 PLACES	±	DRWN: S.NISHIMAKI 1997/09/09		SD-35097-9X02		
1 PLACE	±	APPR: M.FUKUSHIMA 1997/09/09		DOC TYPE DOC PART REVISION		
0 PLACES	±	ANGULAR TOL ± °		PSD 010 E		
DRAFT WHERE APPLICABLE MUST REMAIN WITHIN DIMENSIONS		THIRD ANGLE PROJECTION	DRAWING	SERIES	MATERIAL NUMBER	CUSTOMER
			A3-SIZE	35097	SEE TABLE	
				SHEET NUMBER		1 OF 1