

**PLEASE CHECK WWW.MOLEX.COM FOR LATEST PART INFORMATION**

**Part Number:** [35156-1100](#)  
**Status:** **Active**  
**Description:** 3.96mm Pitch Wire-to-Board Housing: Positive Locking, 11 Circuits, Natural

**Documents:**

[3D Model](#) [Packaging Specification PK-35156-001 \(PDF\)](#)  
[Drawing \(PDF\)](#) [RoHS Certificate of Compliance \(PDF\)](#)  
[Product Specification PS-35156-003 \(PDF\)](#)

**Agency Certification**

CSA LR19980  
TUV R72081037  
UL E29179

**General**

Product Family Crimp Housings  
Series [35156](#)  
Application Power, Wire-to-Board  
Product Name N/A  
UPC 800753876910

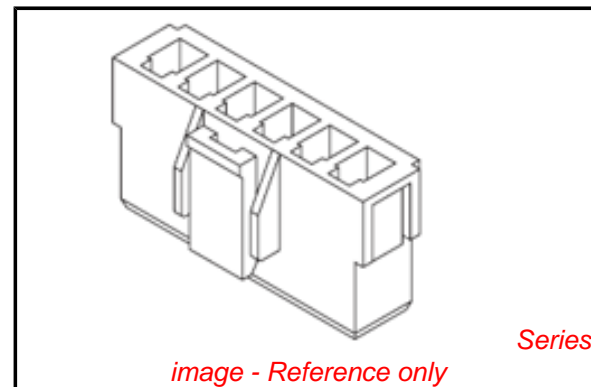
**Physical**

Breakaway No  
Circuits (maximum) 11  
Color - Resin Natural  
Flammability 94V-0  
Gender Female  
Glow-Wire Compliant No  
Keying to Mating Part None  
Lock to Mating Part Yes  
Material - Resin Polyester  
Net Weight 2.653/g  
Number of Rows 1  
Packaging Type Bag  
Panel Mount No  
Pitch - Mating Interface 3.96mm  
Pitch - Termination Interface 3.96mm  
Stackable No  
Temperature Range - Operating -40°C to +105°C

**Material Info**

**Reference - Drawing Numbers**

Packaging Specification PK-35156-001  
Product Specification PS-35156-003, RPS-35156-003, RPS-35156-101  
Sales Drawing SD-35156-\*\*0\*



**EU RoHS**

**ELV and RoHS Compliant**  
**REACH SVHC Contains SVHC: No**  
**Low-Halogen Status Not Low-Halogen**

**China RoHS**



**Need more information on product environmental compliance?**

Email [productcompliance@molex.com](mailto:productcompliance@molex.com)  
For a multiple part number RoHS Certificate of Compliance, [click here](#)

Please visit the [Contact Us](#) section for any non-product compliance questions.

**Search Parts in this Series**

[35156Series](#)

**Mates With**

**Use With**

[50217 Crimp Terminals](#)