

**PLEASE CHECK WWW.MOLEX.COM FOR LATEST PART INFORMATION**

**Part Number:** [35189-0250](#)  
**Status:** **Active**  
**Description:** 4.75mm Tab, MP-Lock™ Housing, 2 Circuits, 16.00mm Pitch, UL94V-2, Natural

**Documents:**

[3D Model](#) [Packaging Specification PK-35189-002 \(PDF\)](#)  
[Drawing \(PDF\)](#) [RoHS Certificate of Compliance \(PDF\)](#)

**Agency Certification**

CSA LR95446  
 UL E29179

**General**

Product Family Crimp Housings  
 Series [35189](#)  
 Application Power  
 Product Name MP-Lock™  
 UPC 800753340633

**Physical**

Breakaway No  
 Circuits (maximum) 2  
 Flammability 94V-2  
 Gender Female  
 Glow-Wire Compliant No  
 Keying to Mating Part None  
 Lock to Mating Part None  
 Net Weight 1.113/g  
 Number of Rows 1  
 Packaging Type Bag  
 Panel Mount No  
 Pitch - Mating Interface 16.00mm  
 Polarized to Mating Part Yes  
 Stackable No  
 Temperature Range - Operating -40°C to +105°C

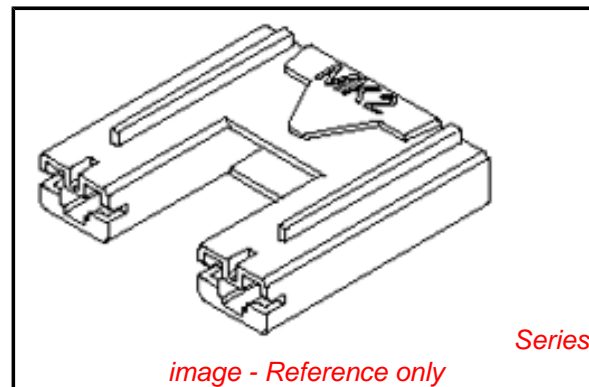
**Electrical**

Current - Maximum per Contact 12A

**Material Info**

**Reference - Drawing Numbers**

Packaging Specification PK-35189-002  
 Product Specification RPS-35068-001  
 Sales Drawing SD-35189-0250



**EU RoHS**

**ELV and RoHS Compliant**  
**REACH SVHC Contains SVHC: No**  
**Low-Halogen Status Low-Halogen**

**China RoHS**



**Need more information on product environmental compliance?**

Email [productcompliance@molex.com](mailto:productcompliance@molex.com)  
 For a multiple part number RoHS Certificate of Compliance, [click here](#)

Please visit the [Contact Us](#) section for any non-product compliance questions.

**Search Parts in this Series**

[35189Series](#)

**Mates With**

Appliance Motor|Appliance Transformer

**Use With**

[35068 MP-Lock™ Quick Disconnect](#)