

PLEASE CHECK WWW.MOLEX.COM FOR LATEST PART INFORMATION

Part Number: [35189-0281](#)
Status: **Active**
Description: 4.75mm Tab, MP-Lock™ Housing, 2 Circuits, 10.00mm Pitch, UL94V-0, Natural

Documents:

[3D Model](#) [Packaging Specification PK-35189-002 \(PDF\)](#)
[Drawing \(PDF\)](#) [RoHS Certificate of Compliance \(PDF\)](#)
[Product Specification PS-35189-004 \(PDF\)](#)

Agency Certification

CSA LR95446
 UL E29179

General

Product Family Crimp Housings
 Series [35189](#)
 Application Power
 Product Name MP-Lock™

Physical

Breakaway No
 Circuits (maximum) 2
 Flammability 94V-2
 Gender Female
 Glow-Wire Compliant No
 Keying to Mating Part None
 Lock to Mating Part None
 Number of Rows 1
 Packaging Type Bag
 Panel Mount No
 Pitch - Mating Interface 10.00mm
 Polarized to Mating Part Yes
 Stackable No
 Temperature Range - Operating -40°C to +105°C

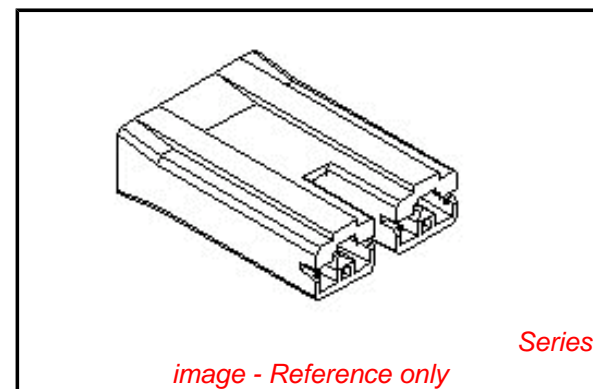
Electrical

Current - Maximum per Contact 12A

Material Info

Reference - Drawing Numbers

[Packaging Specification](#) PK-35189-002
[Product Specification](#) PS-35189-004, RPS-35189-002
[Sales Drawing](#) SD-35189-*281



EU RoHS

ELV and RoHS Compliant
REACH SVHC
Contains SVHC: Yes

China RoHS



Tris(2-chloroethyl)phosphate (TCEP)
 2,4-Dinitrotoluene
 Aluminosilicate,
 Refractory ceramic fibers
 Zironia
 Aluminosilicate,
 Refractory ceramic fiber

Low-Halogen Status

Low-Halogen

Need more information on product environmental compliance?

Email productcompliance@molex.com
 For a multiple part number RoHS Certificate of Compliance, [click here](#)

Please visit the [Contact Us](#) section for any non-product compliance questions.

Search Parts in this Series

[35189Series](#)

Mates With

[Appliance Heater](#)

Use With

[35068](#) MP-Lock™ Quick Disconnect