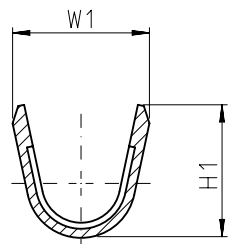
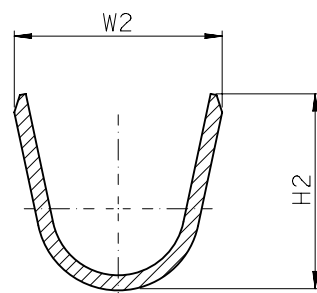


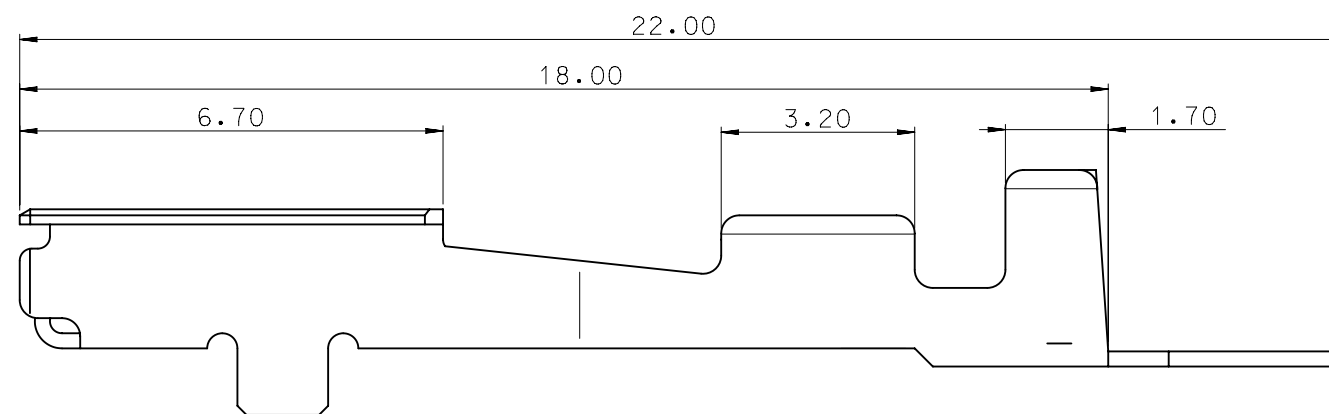
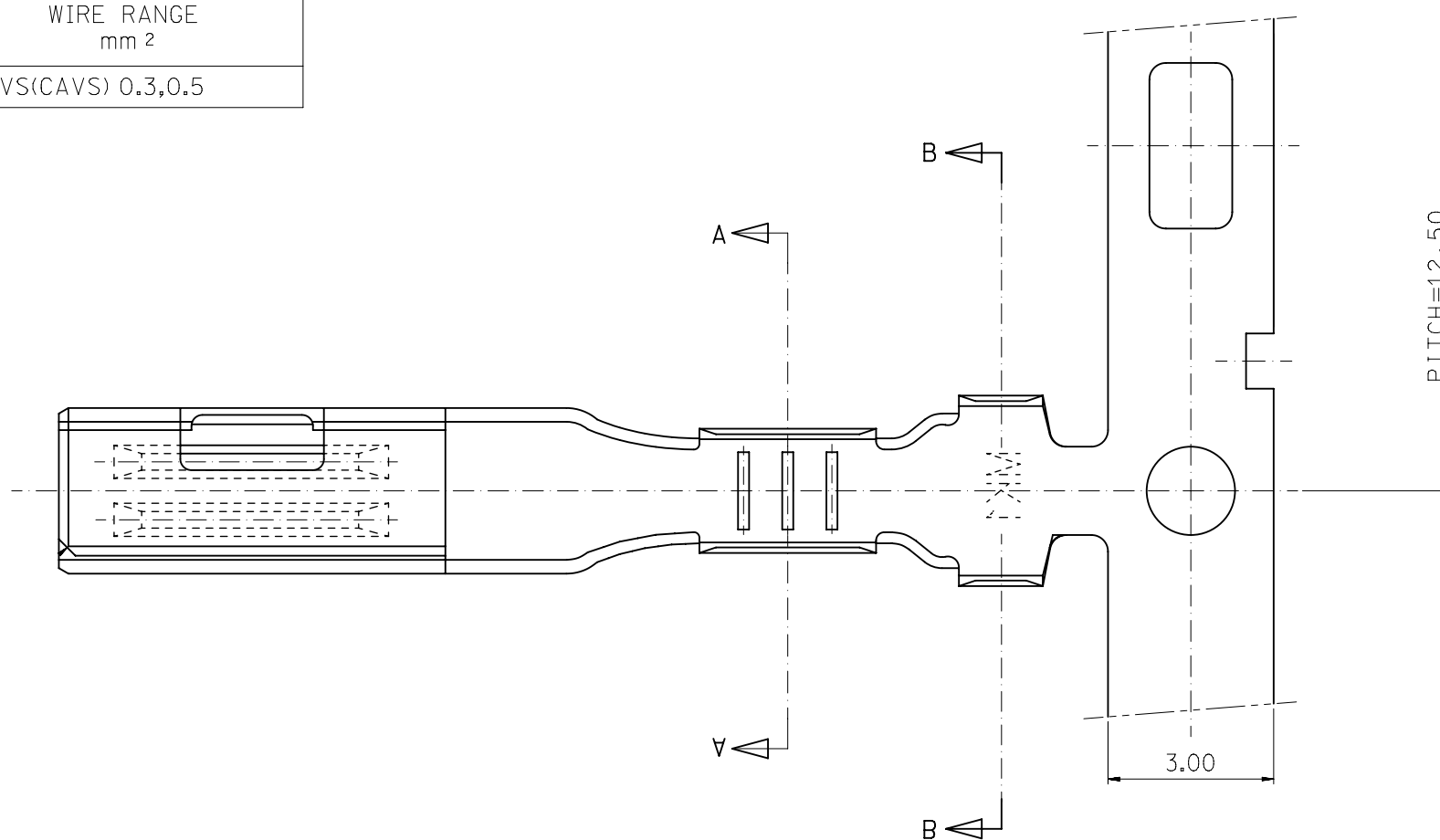
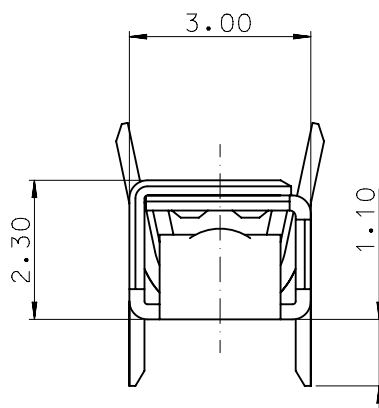
"B" TYPE ENG.NO	DESCRIPTION	DIMENSION				WIRE RANGE mm ²
		W1	H1	W2	H2	
35421-6102	UNICONN FEMALE TERMINAL (S)	2.1	2.2	3.4	3.25	AVS(CAVS) 0.3,0.5



SECTION A-A



SECTION B-B



NOTES

- MATERIAL: COPPER ALLOY 0.25+ ±0.01
- FINISH: PRE-TIN PLATED
- INSERTION-EXTRACTION FORCE WITH TAB TERMINAL P/N 35420.
INSERTION FORCE : 0.30±1.0 Kgf.
AFTER SIX TIMES OF INSERTION & EXTRACTION FORCE : 0.15±1.0 Kgf.

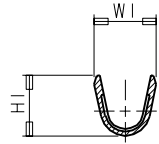
THIS DRAWING CONTAINS INFORMATION THAT IS PROPRIETARY TO MOLEX ELECTRONIC TECHNOLOGIES, LLC AND SHOULD NOT BE USED WITHOUT WRITTEN PERMISSION									
DIMENSION UNITS mm		SCALE 8:1		CURRENT REV DESC:				molex	
GENERAL TOLERANCES (UNLESS SPECIFIED)				EC NO: 624787					
4 PLACES ±		MM		INCH		DRWN: RPRABHUM 2019/05/20		UNICONN FEMALE TERMINAL	
3 PLACES ±						CHK'D: GGA 2019/11/11			
2 PLACES ± 0.3						APPR: GGA 2019/11/11		PRODUCT CUSTOMER DRAWING	
1 PLACE ± 0.3						INITIAL REVISION:		DOCUMENT NUMBER	
0 PLACES ±						DRWN: W.Y YANG 1997/12/03		SD-35421-002	
ANGULAR TOL ± 1.0°						APPR: C.W.LEE 1997/12/03		PSD 001 D1	
DRAFT WHERE APPLICABLE MUST REMAIN WITHIN DIMENSIONS				THIRD ANGLE PROJECTION		DRAWING		SERIES	
				B-SIZE		35421		MATERIAL NUMBER	
								CUSTOMER	
								GENERAL MARKET	
								SEE TABLE	
								SHEET NUMBER	
								1 OF 1	

ENG. NO.

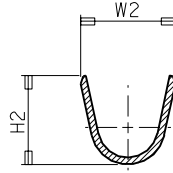
EDP NO.

SIMILAR ITEM

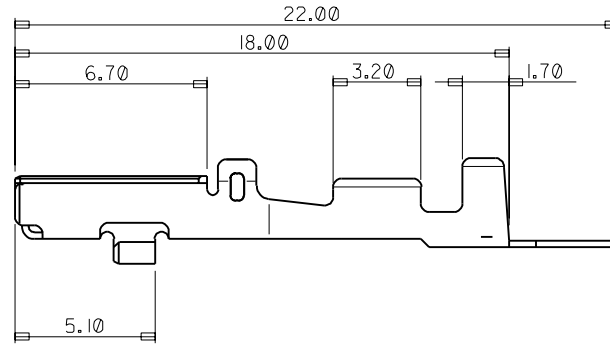
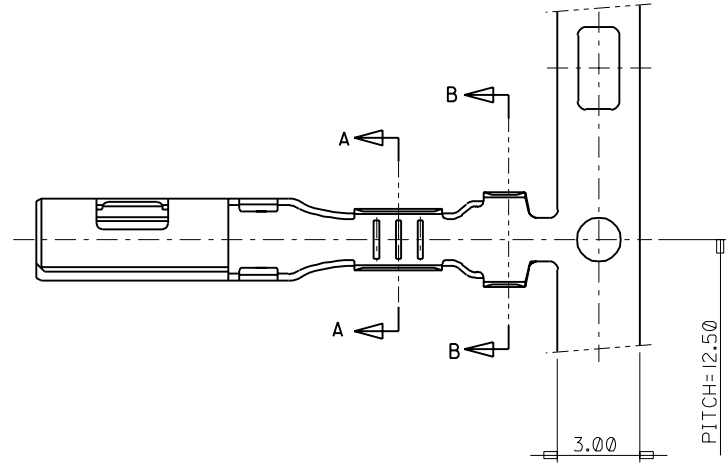
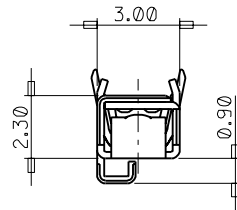
PROJECT NO.



SECTION A-A



SECTION B-B



ENG.NO	DESCRIPTION	DIMENSION				WIRE RANGE mm ²
		W1	H1	W2	H2	
35421-6702	UNICONN FEMALE TERMINAL (S)	2.1	2.2	3.4	3.25	AVS(CAVS) 0.3,0.5
35421-6802	UNICONN FEMALE TERMINAL (M)	2.6	2.95	4.0	3.8	AVS(CAVS) 0.5,0.85,1.25
35421-6902	UNICONN FEMALE TERMINAL (L)	3.6	4.0	4.3	3.9	AVSS 2f

				MATERIAL PRE-TIN PLATED COPPER ALLOY 0.25t		MOLEX-KOREA CO.,LTD.	
				GENERAL TOLERANCE DIMENSION : +0.30 ANGLE :		DRAWN BY Y.SIK,KIM	CHK'D BY
				DIMENSION CLASSIFICATION ▽ : CRITICAL ▼ : MAJOR () : REFERENCE		APP'D BY	SCALE 6:1
A	NEW RELEASE	KOR 97-0162	97.12.03	ASS'Y PART		TITLE : UNICONN FEMALE TERMINAL	
LTR	REVISION RECORD	ECN	DATE	DESCRIPTION ENG. NO.		SHEET 1/1	
REVISE ONLY ON CAD SYSTEM						ENG. NO. SD 35421-6*02	REV A