

DO NOT SCALE DRAWING  
DIMENSION IN METRIC

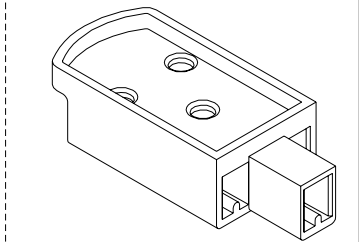
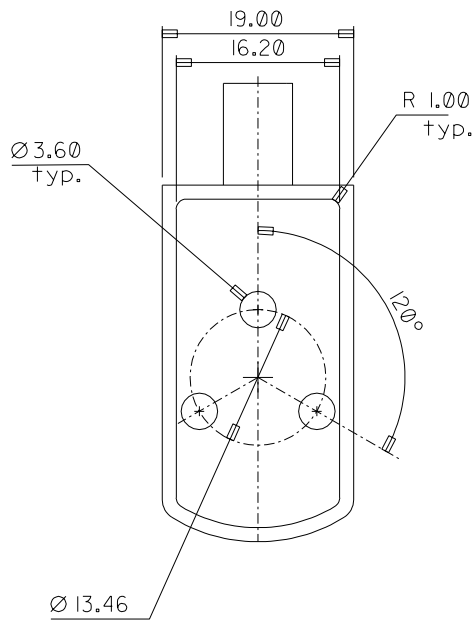
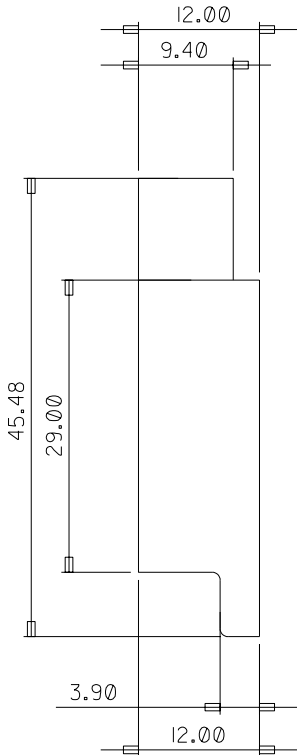
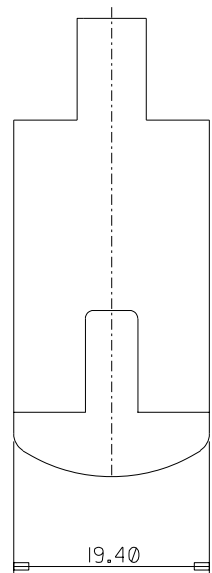
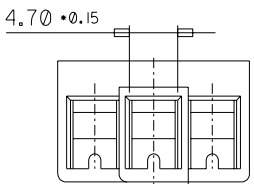
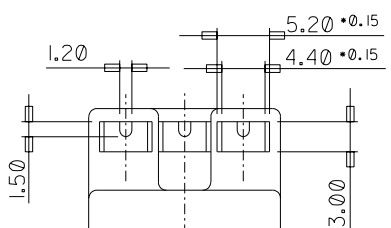
B

C

PROJECT NO.

SIMILAR ITEM

DWG. NO.  
SD-35548-001



NOTES

- MATERIAL: PBT UL94 HB  
35548-0300: VALOX420 (30% GLASS FILLED)  
35548-0330: VALOX310 (UNFILLED)
- APPLICABLE TERMINAL P/N: 35454-8702  
35454-8902

REVISED	EC NO. KOR2003-0022	DRWN: C.B.CHIN 02/07/18	CHK: W.Y.YANG	APPR: C.W.LEE
A1	REV	DESCRIPTION		

QUALITY SYMBOLS	MAJOR = 0	CRITICAL C = 0
-----------------	-----------	----------------

GENERAL TOLERANCES: (UNLESS SPECIFIED)	mm	INCH
4 PLACES	±0.	±.
3 PLACES	±0.	±.
2 PLACES	±0.20	±.
1 PLACE	±0.30	±.
ANGULAR: ± 3.0°		
DRAFT WHERE APPLICABLE MUST REMAIN WITHIN DIMENSIONS		

SCALE 2:1	DESIGN UNITS <input checked="" type="checkbox"/> mm <input type="checkbox"/> INCH
DRAWN BY & DATE W.Y.YANG 00/08/14	CHECKED BY & DATE B.K.CHOI 00/08/14
APPROVED BY & DATE C.W.LEE 00/08/14	CAD FILENAME S5480300.DGN

DIMENSIONS: <input type="checkbox"/> mm <input type="checkbox"/> INCH <input checked="" type="checkbox"/> mm ONLY		SHT	REV
THIRD ANGLE PROJECTION <input type="checkbox"/> <input checked="" type="checkbox"/>		REVISE ON CAD ONLY	
TITLE: COMP HOUSING-3P (MAGNET WIRE)			
MOLEX INCORPORATED			
MATERIAL NO. SEE NOTES	DRAWING NO. SD-35548-001	SHEET NO. 1/1	SIZE B
THIS DRAWING CONTAINS INFORMATION THAT IS PROPRIETARY TO MOLEX INCORPORATED AND SHOULD NOT BE USED WITHOUT WRITTEN PERMISSION.			