

PLEASE CHECK WWW.MOLEX.COM FOR LATEST PART INFORMATION

Part Number: [35548-0300](#)
Status: **Active**
Description: 3.18mm Diameter Pin MagKrimp™ Cluster Block Connector Housing, Glass-filled

Documents:

[3D Model](#) [Packaging Specification PK-35548-001 \(PDF\)](#)
[Drawing \(PDF\)](#) [RoHS Certificate of Compliance \(PDF\)](#)
[Product Specification PS-35548-001 \(PDF\)](#)

Agency Certification

UL E29179

General

Product Family Crimp Housings
 Series [35548](#)
 Application Power
 Product Name N/A
 UPC 756054239957

Physical

Circuits (maximum) 3
 Flammability 94HB
 Gender Female
 Glow-Wire Compliant No
 Lock to Mating Part None
 Net Weight 5.025/g
 Number of Rows 1
 Packaging Type Bag
 Panel Mount No
 Pitch - Mating Interface 5.84mm
 Polarized to Mating Part Yes
 Temperature Range - Operating -40°C to +120°C

Material Info

Reference - Drawing Numbers

Packaging Specification PK-35548-001
 Product Specification PS-35548-001
 Sales Drawing SD-35548-001

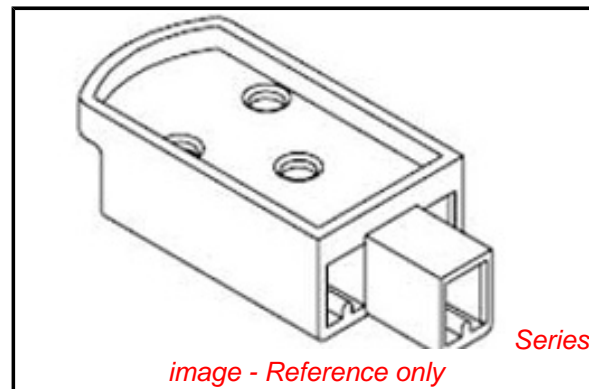


image - Reference only

EU RoHS

**ELV and RoHS
Compliant**

REACH SVHC

Not Reviewed

Low-Halogen Status

Not Low-Halogen

China RoHS



**Need more information on product
environmental compliance?**

Email productcompliance@molex.com
 For a multiple part number RoHS Certificate of
 Compliance, [click here](#)

Please visit the [Contact Us](#) section for any
 non-product compliance questions.

Search Parts in this Series

[35548Series](#)

Mates With

Device

Use With

[354548702](#) 4001600 CMA Terminal,
[354548902](#) 15004200 CMA Terminal