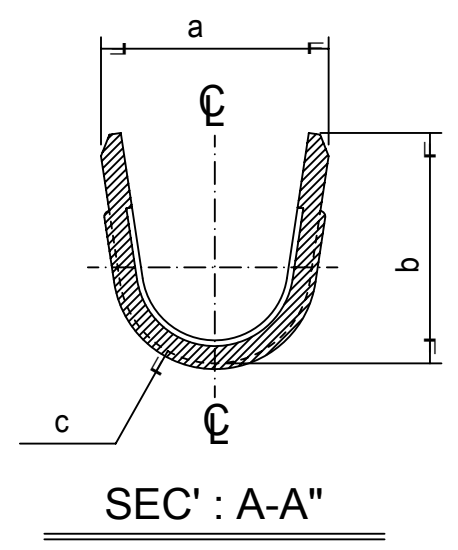


NOTES
 1. MATERIAL : BRASS THICKNESS : 0.6mm
 2. MATERIAL NO.

PART NO.	a	b	c	FINISH	WIRE RANGE	QUANTITY
35760-7300	6.0	6.0	R2.5	UNPLATED	4.0-6.0mm ²	2,000/REEL
35760-7500	5.4	5.2	R2.2	UNPLATED	2.5-4.0mm ²	3,000/REEL
35760-7510				POST PLATED TIN		



THIS DRAWING CONTAINS INFORMATION THAT IS PROPRIETARY TO MOLEX ELECTRONIC TECHNOLOGIES, LLC AND SHOULD NOT BE USED WITHOUT WRITTEN PERMISSION

DIMENSION UNITS mm	SCALE 5:1	CURRENT REV DESC: OBSOLETE PART NO		molex		
GENERAL TOLERANCES (UNLESS SPECIFIED)		EC NO: 625872				
4 PLACES ±	MM INCH	DRWN: AKUMAR19	2019/06/14	PRODUCT CUSTOMER DRAWING		
3 PLACES ±		CHK'D: GB	2019/11/06			
2 PLACES ± 0.2		APPR: GGA	2019/11/12	DOC TYPE DOC PART REVISION PSD 001 C		
1 PLACE ± 0.3		INITIAL REVISION:				
0 PLACES ±		DRWN: J.S.KANG	1993/10/08	CUSTOMER GENERAL MARKET		
ANGULAR TOL ± 0.1°		APPR: C.W.LEE	1993/10/08			
DRAFT WHERE APPLICABLE MUST REMAIN WITHIN DIMENSIONS	THIRD ANGLE PROJECTION	DRAWING B-SIZE	SERIES 35760			