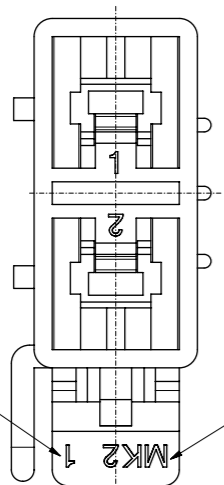


9 8 7 6 5 4 3 2 1

E
D
C
B
A

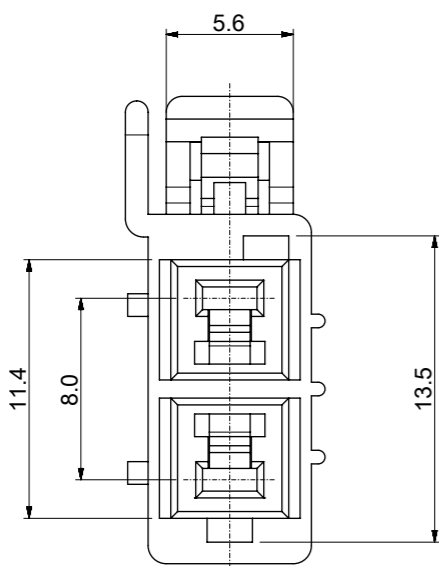
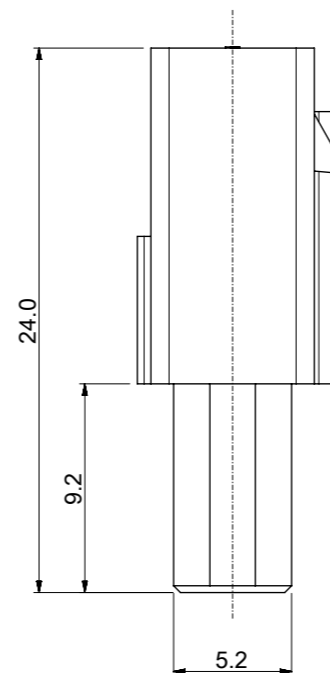
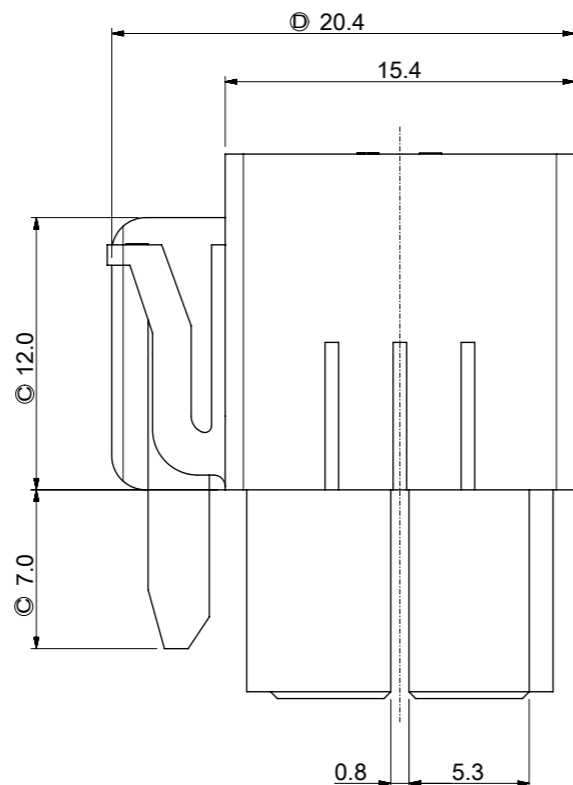
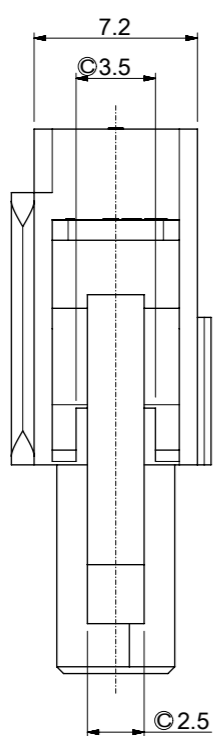
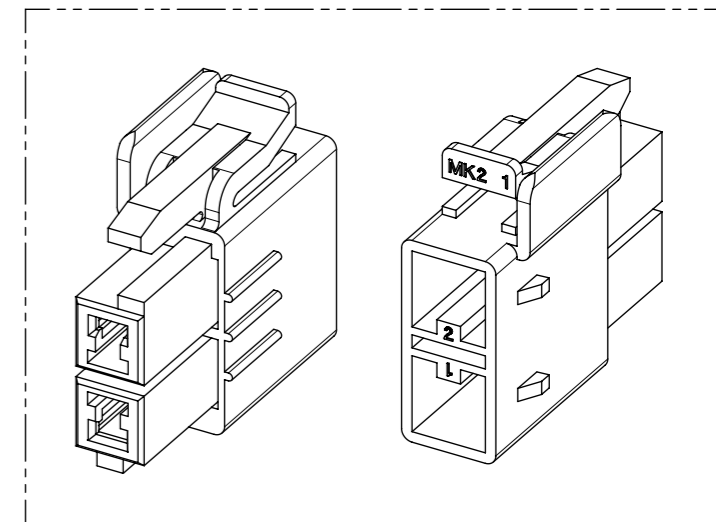


CAVITY NO.

TRADE MARK

NOTE

1. MATERIAL & COLOR : SEE TABLE
2. MATED HOSUING : 35180-*60*
3. APPLICABLE TERMINAL : 35748-0*10
4. MATED TPA : 35965-029*
5. PRODUCT SPECIFICATION : PS 351800600
6. PACKAGING SPECIFICATION : PK-35965-001



NO.	POLYESTER(PBT)		◎ PET/PC (UL94V-0)	
	MATERIAL	COLOR	MATERIAL	COLOR
1	35965-0220	NATURAL	35965-9220	NATURAL
2			35965-9222	RED
3	35965-0224	BLUE	35965-9223	YELLOW
4			35965-9224	BLUE

SYMBOLS ▽ = 0 ▽ = 0 ▽ = 0 ▽ = 0 ▽ = 0 ▽ = 0 ▽ = 0 ▽ = 0 ▽ = 0 ▽ = 0	THIS DRAWING CONTAINS INFORMATION THAT IS PROPRIETARY TO MOLEX ELECTRONIC TECHNOLOGIES, LLC AND SHOULD NOT BE USED WITHOUT WRITTEN PERMISSION		CURRENT REV DESC:			
	DIMENSION UNITS	SCALE	EC NO: 624787			
	mm	3:1	DRWN: RPRABHUM 2019/06/03			
	GENERAL TOLERANCES (UNLESS SPECIFIED)		CHK'D: GGA 2019/11/11			
ANGULAR TOL ± 1.0°		APPR: GGA 2019/11/11		PRODUCT CUSTOMER DRAWING		
4 PLACES ±		INITIAL REVISION:		DOCUMENT NUMBER	DOC TYPE	
3 PLACES ±		DRWN: SCHONG03 2017/12/15		359659220	PSD	
2 PLACES ±		APPR: YSKIM02 2018/06/08				DOC PART
1 PLACE ± 0.3		DRAWING		SEE TABLE	GENERAL MARKET	
0 PLACES ± 0.3		SERIES				1 OF 1
DRAFT WHERE APPLICABLE MUST REMAIN WITHIN DIMENSIONS		THIRD ANGLE PROJECTION	A3-SIZE	MATERIAL NUMBER	CUSTOMER	
			35965	SEE TABLE	GENERAL MARKET	1 OF 1

9 8 7 6 5 4 3 2 1