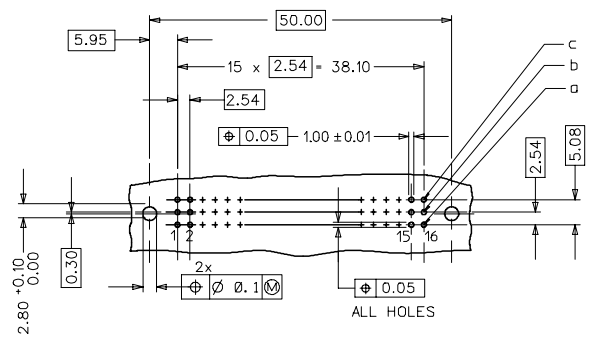
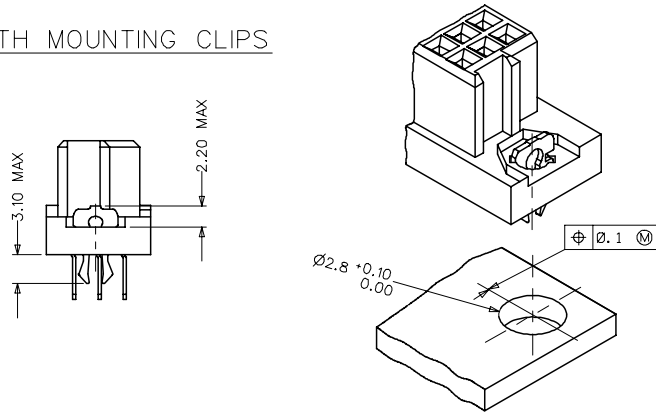


RECOMMENDED PCB LAYOUT
COMPONENT SIDE



WITH MOUNTING CLIPS



NOTES:


- MATERIALS: THERMOPLASTIC POLYESTER, GLASS FILLED, UL94V-0. COLOUR: PEBBLE GREY RAL 7032
TERMINAL - PHOSPHOR BRONZE
MOUNTING CLIP: STEEL
- FINISH: TERMINAL:-
CONTACT AREA
1. PERFORMANCE LEVEL 1: SELECTIVE GOLD (Au), THICKNESS = 1.1 MICROMETER OVER NICKEL, THICKNESS = 1.5 MICROMETER
2. PERFORMANCE LEVEL 2: SELECTIVE GOLD (Au), THICKNESS = 0.6 MICROMETER OVER NICKEL, THICKNESS = 1.5 MICROMETER
3. PERFORMANCE LEVEL 3: SELECTIVE GOLD (Au), THICKNESS = 0.3 MICROMETER OVER NICKEL, THICKNESS = 1.5 MICROMETER
TERMINATION AREA:
SELECTIVE TIN, THICKNESS = 5 MICROMETER OVER NICKEL, THICKNESS = 1.5 MICROMETER OVERALL
- MOUNTING CLIP:-
TIN (Sn), THICKNESS = 5-10 MICROMETER, OVER NICKEL (Ni), THICKNESS = 2.5 MICROMETER
- FOR NON MOUNTING CLIP OPTION, CONNECTOR TO BE SECURED WITH RIVETS: 2 TUBULAR RIVETS 2.5 x 0.3 ... DIN 7340
SCREWS: 2 CHEESEHEAD SCREWS M2.5 x ... DIN 84 AND 2 HEXAGONAL NUTS M2.5 DIN 934
- MATERIAL No, BATCH CODE, UL AND CSA MARKING TO BE PRINTED ON THE CONNECTOR.
- CUT FACES OF TIP WITHOUT PLATING PERMITTED.
- PRODUCT SPECIFICATION PS-36500-001

RoHS COMPLIANT

ENTER DESCRIPTION ELC INC 12007 0044 2006/10/10 DRWNGSATTI/MARAD 2006/10/11 CHKD/SSUDHIR 2006/10/10 APPR/SSUDHIR 2006/10/10	QUALITY SYMBOLS ▽=0 ▽=0	GENERAL TOLERANCES (UNLESS SPECIFIED)		DIMENSION STYLE MM ONLY		SCALE 2:1	DESIGN UNITS METRIC	THIRD ANGLE PROJECTION	
		4 PLACES ± --- ± --- 3 PLACES ± 0.005 ± --- 2 PLACES ± 0.1 ± --- 1 PLACE ± 0.15 ± ---	INCH ± --- ± --- ± ---	DRAWN BY SHANKAR	DATE 2006/04/25	TITLE ASSY DIN41612 C/2 FEMALE 48 POS 1.0MM PCB DIA	APPROVED BY SSUDHIR	DATE 2006/04/25	MATERIAL NO. SEE SHEET 2
DRAFT WHERE APPLICABLE MUST REMAIN WITHIN DIMENSIONS		THIS DRAWING CONTAINS INFORMATION THAT IS PROPRIETARY TO MOLEX INCORPORATED AND SHOULD NOT BE USED WITHOUT WRITTEN PERMISSION							

	20	19	18	17	16	15	14	13	12	11	10	9	8	7	6	5	4	3	2	1	
	MATERIAL No	MOLEX ENG No	PERF LEVEL	PLATING	CONTACT SEQUENCE/ROW	DIM "L" mm	MOUNTING CLIP	FLUX PROOF													
	36501-0001	MM-B2401-C480	1	Au+Ni	1.2.3....16 a+b+c	2.9	NO	NO													
	36501-0002	MM-B2501-C480	2	Au+Ni	1.2.3....16 a+b+c	2.9	NO	NO													
	36501-0003	MM-B2601-C480	3	Au+Ni	1.2.3....16 a+b+c	2.9	NO	NO													
L	36501-0007	MM-B2401-C410	1	Au+Ni	1.2.3....16 a+b+c	2.9	YES	NO													
	36501-0008	MM-B2501-C410	2	Au+Ni	1.2.3....16 a+b+c	2.9	YES	NO													
	36501-0009	MM-B2601-C410	3	Au+Ni	1.2.3....16 a+b+c	2.9	YES	NO													
	36501-0013	MM-B2401-C480-133	1	Au+Ni	1.2.3....16 a+b+c	2.9	NO	YES													
	36501-0014	MM-B2501-C480-133	2	Au+Ni	1.2.3....16 a+b+c	2.9	NO	YES													
K	36501-0015	MM-B2601-C480-133	3	Au+Ni	1.2.3....16 a+b+c	2.9	NO	YES													
	36501-0019	MM-B2401-C410-133	1	Au+Ni	1.2.3....16 a+b+c	2.9	YES	YES													
	36501-0020	MM-B2501-C410-133	2	Au+Ni	1.2.3....16 a+b+c	2.9	YES	YES													
	36501-0021	MM-B2601-C410-133	3	Au+Ni	1.2.3....16 a+b+c	2.9	YES	YES													
J	36501-0025	MM-B2402-C480	1	Au+Ni	1.2.3....16 a+b+c	4.5	NO	NO													
	36501-0026	MM-B2502-C480	2	Au+Ni	1.2.3....16 a+b+c	4.5	NO	NO													
	36501-0027	MM-B2602-C480	3	Au+Ni	1.2.3....16 a+b+c	4.5	NO	NO													
	36501-0031	MM-B2402-C410	1	Au+Ni	1.2.3....16 a+b+c	4.5	YES	NO													
	36501-0032	MM-B2502-C410	2	Au+Ni	1.2.3....16 a+b+c	4.5	YES	NO													
I	36501-0033	MM-B2602-C410	3	Au+Ni	1.2.3....16 a+b+c	4.5	YES	NO													
	36501-0037	MM-B2402-C480-133	1	Au+Ni	1.2.3....16 a+b+c	4.5	NO	YES													
	36501-0038	MM-B2502-C480-133	2	Au+Ni	1.2.3....16 a+b+c	4.5	NO	YES													
	36501-0039	MM-B2602-C480-133	3	Au+Ni	1.2.3....16 a+b+c	4.5	NO	YES													
H	36501-0043	MM-B2402-C410-133	1	Au+Ni	1.2.3....16 a+b+c	4.5	YES	YES													
	36501-0044	MM-B2502-C410-133	2	Au+Ni	1.2.3....16 a+b+c	4.5	YES	YES													
	36501-0045	MM-B2602-C410-133	3	Au+Ni	1.2.3....16 a+b+c	4.5	YES	YES													

RoHS COMPLIANT

ENTER DESCRIPTION ELC.NCL.12007.0044 B1 DRWNGSATTI/MARAD 2006/10/10 CHKD/SSUDHIR 2006/10/11 APPR/SSUDHIR 2006/10/16	QUALITY SYMBOLS 	GENERAL TOLERANCES (UNLESS SPECIFIED) <table border="1"> <tr> <th></th> <th>mm</th> <th>INCH</th> </tr> <tr> <td>4 PLACES</td> <td>±---</td> <td>±---</td> </tr> <tr> <td>3 PLACES</td> <td>±---</td> <td>±---</td> </tr> <tr> <td>2 PLACES</td> <td>±---</td> <td>±---</td> </tr> <tr> <td>1 PLACE</td> <td>±---</td> <td>±---</td> </tr> <tr> <td colspan="3">ANGULAR ±---°</td> </tr> </table>		mm	INCH	4 PLACES	±---	±---	3 PLACES	±---	±---	2 PLACES	±---	±---	1 PLACE	±---	±---	ANGULAR ±---°			DIMENSION STYLE MM ONLY	SCALE ---	DESIGN UNITS METRIC	THIRD ANGLE PROJECTION
		mm	INCH																					
	4 PLACES	±---	±---																					
	3 PLACES	±---	±---																					
2 PLACES	±---	±---																						
1 PLACE	±---	±---																						
ANGULAR ±---°																								
DESCRIPTION ASSY DIN41612 C/2 FEMALE 48 POS 1.0MM PCB DIA	DRAWN BY SHANKAR	DATE 2006/04/25	TITLE ASSY DIN41612 C/2 FEMALE 48 POS 1.0MM PCB DIA	CHECKED BY SSUDHIR	DATE 2006/04/25	APPROVED BY SSUDHIR	DATE 2006/04/25																	
DRAFT WHERE APPLICABLE MUST REMAIN WITHIN DIMENSIONS	MATERIAL NO. SEE CHART	DOCUMENT NO. SD-36501-0001	SHEET NO. 2 OF 2	THIS DRAWING CONTAINS INFORMATION THAT IS PROPRIETARY TO MOLEX INCORPORATED AND SHOULD NOT BE USED WITHOUT WRITTEN PERMISSION																				
SIZE A 1																								