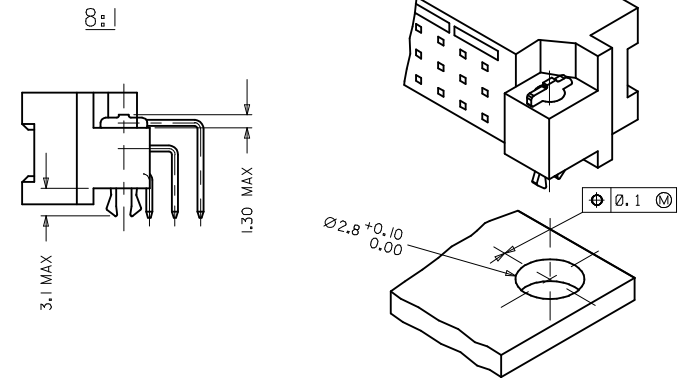


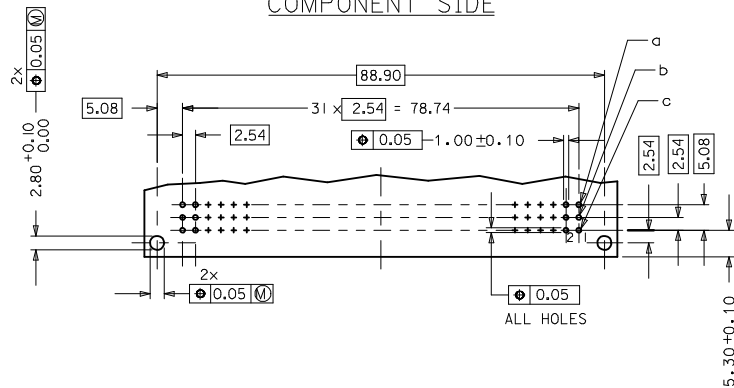
WITH MOUNTING CLIPS



NOTES:

- 1) MATERIAL : THERMOPLASTIC POLYESTER, GLASS FILLED
UL94 V-0, COLOR : PEBBLE GREY RAL 7032
TERMINAL - BRASS
MOUNTING CLIP : STEEL
- 2) FINISH : TERMINAL CONTACT AREA
1) PERFORMANCE LEVEL 3: SELECTIVE GOLD (Au), THICKNESS = 0.3 MICROMETER
OVER NICKEL, THICKNESS = 1.25 MICROMETER
TERMINATION AREA:
SELECTIVE TIN, THICKNESS = 2.5 MICROMETER
OVER NICKEL, THICKNESS = 1.25 MICROMETER OVERALL
- 3) MOUNTING CLIP :
TIN (Sn), THICKNESS = 5-10 MICROMETER
OVER NICKEL (Ni) THICKNESS = 2.5 MICROMETER
- 4) FOR NON MOUNTING CLIP OPTION, CONNECTOR TO BE SECURED WITH RIVETS : 2 TUBULAR RIVETS 2.5 X 0.3 ... DIN 7340
SCREWS : 2 CHEESEHEAD SCREWS M2.5 X ... DIN 84 AND HEXAGONAL NUTS M2.5 DIN 934
- 5) MATERIAL NUMBER, BATCH CODE, UL AND CSA MARKING TO BE PRINTED ON THE CONNECTOR
- 6) CUT FACE OF TIP WITHOUT PLATING PERMITTED
- 7) PRODUCT SPECIFICATION PS: 36502-001

RECOMMENDED PCB LAYOUT
COMPONENT SIDE

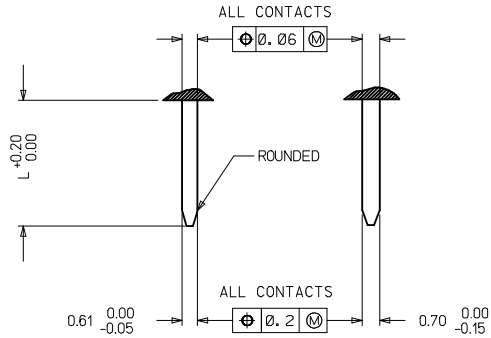


RoHS COMPLIANT

EC NO: I2009-0311 DRAWN BY: DRWNPJT CHKD BY: HARSR APPR: SPANDI DATE: 2009/02/03	QUALITY SYMBOLS ▽ 0 ▽ - 0	GENERAL TOLERANCES (UNLESS SPECIFIED)		SCALE: 1:1	DESIGN UNITS: METRIC	THIRD ANGLE PROJECTION	REVISE ON CAD ONLY
		DIMENSION STYLE: MM ONLY		TITLE: ASSEMBLY, DIN 41612 C MALE, 96 POS CODING	MATERIAL NO. MOLEX INCORPORATED		
B2	DESCRIPTION	4 PLACES ± --- ± ---	DRAWN BY: SHIVA	DATE: 2004/05/17	MATERIAL NO. MOLEX INCORPORATED		
		3 PLACES ± --- ± ---	CHECKED BY: KPRASAD	DATE: 2004/05/17	DOCUMENT NO. SD-36504-004		
		2 PLACES ± 0.15 ± ---	APPROVED BY: DATHA	DATE: 2004/05/17	SHEET NO. 1 OF 2		
		1 PLACE ± 0.2 ± ---	DRAFT WHERE APPLICABLE		THIS DRAWING CONTAINS INFORMATION THAT IS PROPRIETARY TO MOLEX INCORPORATED AND SHOULD NOT BE USED WITHOUT WRITTEN PERMISSION		
		ANGULAR ± 2 °	MUST REMAIN WITHIN DIMENSIONS		A1		

20	19	18	17	16	15
MATERIAL NUMBER	PERF LEVEL	PLATING	STD. CONTACT SEQUENCE/ROW	PREMATING CONTACT POS.	MOUNTING CLIP
36504-0049	3	Au+Ni	a2-31, b1-32, c2-31	a1, a32, c1, c32	YES

DETAILY DETAILX



PRE MATING CONTACTS	5.4
NORMAL CONTACTS	4.8
	L

RoHS COMPLIANT

EC NO: 12009-0311 DRAWN BY: DRWNPJT 2009/02/02 CHECKED BY: HARSR#09/02/02 APPR: SPANDI 2009/02/03	QUALITY SYMBOLS	GENERAL TOLERANCES (UNLESS SPECIFIED)		SCALE 1:1	DESIGN UNITS METRIC	THIRD ANGLE PROJECTION	REVISE ON CAD ONLY	
	DESCRIPTION ▽ 0 ▽ -0		mm	INCH	DIMENSION STYLE MM ONLY		TITLE ASSEMBLY, DIN 41612 C MALE, 96 POS CODING	
		4 PLACES	± 0.15	± 0.006	DRAWN BY SHIVA	DATE 2004/05/17	MATERIAL NO. 36504-0049	
		3 PLACES	± 0.15	± 0.006	CHECKED BY KPRASAD	DATE 2004/05/17	DOCUMENT NO. SD-36504-004	SHEET NO. 2 OF 2
	2 PLACES	± 0.2	± 0.008	APPROVED BY DATHA		DATE 2004/05/17	THIS DRAWING CONTAINS INFORMATION THAT IS PROPRIETARY TO MOLEX INCORPORATED AND SHOULD NOT BE USED WITHOUT WRITTEN PERMISSION	
	1 PLACE	± 0.2	± 0.008	DRAFT WHERE APPLICABLE MUST REMAIN WITHIN DIMENSIONS				A1