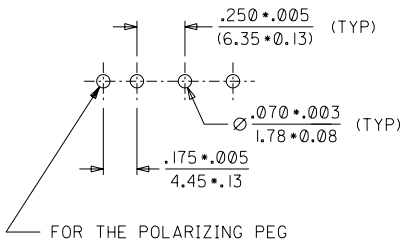


$\frac{.200}{(5.08)}$  LENGTH OF COMPLIANT/POLARIZING PEG (TYP)

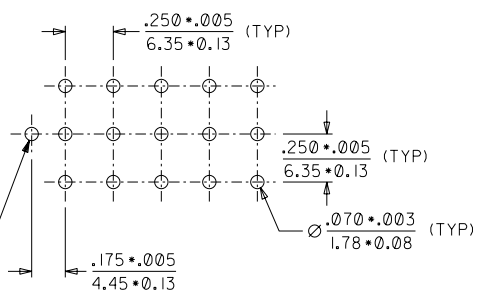
P.C. BOARD MOUNTING DIMENSIONS

2, 3 & 4 POSITION HEADER ASSEMBLIES



FOR THE POLARIZING PEG

6, 9, 12 & 15 POSITION HEADER ASSEMBLY



FOR THE POLARIZING PEG

NOTES:

- 1) MATERIAL CODES:  
HOUSING :  
\*A= UNREINFORCED POLYESTER, 94V-0.  
COLOR: WHITE  
\*B= UNREINFORCED POLYESTER, 94V-0.  
COLOR: BRICK RED  
\*C= NYLON (PA66), UL94V-2  
COLOR: WHITE, TRANSLUCENT  
TERMINAL : PHOSPHOR BRONZE
- 2) FINISH:  
TIN-LEAD 20 MICROINCH (0.51 MICRONS) MINIMUM
- 3) TERMINAL LENGTH IS SUITABLE FOR .062/(1.57) THICK P.C BOARD
- 4) DIMENSIONS ARE FOR REFERENCE ONLY UNLESS INDICATED OTHERWISE.
- 5) HEADER ASSEMBLY HOUSINGS MATE WITH :  
- PLUG HOUSINGS, .084/(2.13) DIA. SERIES: (42021-\*\*)
- 6) CONTACTS ARE ON .250/(6.35) GRID CENTERLINE SPACING.

EC NO. I 2003-0027 A1	DRWNS.S 20/01/03 CHK: G.L 20/01/03 APPR: G.L 20/01/03	DESCRIPTION	QUALITY SYMBOLS	GENERAL TOLERANCES: (UNLESS SPECIFIED)	SCALE 1.5:1	DESIGN UNITS <input type="checkbox"/> mm <input checked="" type="checkbox"/> INCH	DIMENSIONS: <input type="checkbox"/> mm <input checked="" type="checkbox"/> INCH <input type="checkbox"/> mm ONLY	SHT	REV
			MAJOR $\nabla$ =	mm INCH	DRAWN BY & DATE S.S 01/09/28	TITLE: HEADER HOUSING ASSEMBLIES .084/(2.13) SERIES WITH COMPLIANT/POLARISING PEG	REVISE ON CAD ONLY		
REV			CRITICAL $\nabla$ =	4 PLACES ±0. INCH ±.010	CHECKED BY & DATE G.L 01/09/28	APPROVED BY & DATE G.L 01/09/28	MATERIAL NO. SD-36538-001	DRAWING NO. SD-36538-001	SHEET NO. 1 OF 2
				3 PLACES ±0. INCH ±.010	APPROVED BY & DATE G.L 01/09/28	MATERIAL NO. SD-36538-001			
				2 PLACES ±0.25 INCH ±.014	CAD FILENAME SD-36538-001.S01	MATERIAL NO. SD-36538-001		SHEET NO. 1 OF 2	
				1 PLACE ±0.36 INCH ±.014	DRAFT WHERE APPLICABLE MUST REMAIN WITHIN DIMENSIONS		THIS DRAWING CONTAINS INFORMATION THAT IS PROPRIETARY TO MOLEX INCORPORATED AND SHOULD NOT BE USED WITHOUT WRITTEN PERMISSION.		SIZE C
				ANGULAR: ± 1/2°					

ITEM NO.	CIRCUIT SIZE	MATERIAL COLOR (SEE NOTE 1)
36538-0001	2	A
36538-0002		B
36538-0003		C
36538-0004	3	A
36538-0005		B
36538-0006		C
36538-0007	9	A
36538-0008		B
36538-0009		C
36538-0010	4	A
36538-0011		B
36538-0012		C
36538-0013	6	A
36538-0014		B
36538-0015		C
36538-0016	15	A
36538-0017		B
36538-0018		C
36538-0019	12	A
36538-0020		B
36538-0021		C

EC No. I 2003-0027 DRWMS: S 20/01/03 CHK: G.L 20/01/03 APPR: G.L 20/01/03	DESCRIPTION REV	QUALITY SYMBOLS MAJOR = CRITICAL =	GENERAL TOLERANCES: (UNLESS SPECIFIED) mm      INCH		SCALE DRAWN BY & DATE S.S 01/09/28	DESIGN UNITS <input type="checkbox"/> mm <input checked="" type="checkbox"/> INCH	DIMENSIONS: <input type="checkbox"/> mm <input checked="" type="checkbox"/> INCH <input type="checkbox"/> mm ONLY	THIRD ANGLE PROJECTION	SHT    REV REVISE ON CAD ONLY
		4 PLACES ±0.      ±.	DRAWN BY & DATE S.S 01/09/28	TITLE: HEADER HOUSING ASSEMBLIES .084/(2.13) SERIES WITH COMPLIANT/POLARIZING PEG					
		3 PLACES ±0.      ±. 010	CHECKED BY & DATE G.L 01/09/28	MOLEX INCORPORATED					
		2 PLACES ±0.25      ±. 014 1 PLACE ±0.36      ±.	APPROVED BY & DATE G.L 01/09/28	CAD FILENAME SD-36538-001.S02	MATERIAL NO. SEE CHART	DRAWING NO. SD-36538-001	SHEET NO. 2 OF 2		
DRAFT WHERE APPLICABLE MUST REMAIN WITHIN DIMENSIONS		THIS DRAWING CONTAINS INFORMATION THAT IS PROPRIETARY TO MOLEX INCORPORATED AND SHOULD NOT BE USED WITHOUT WRITTEN PERMISSION.							