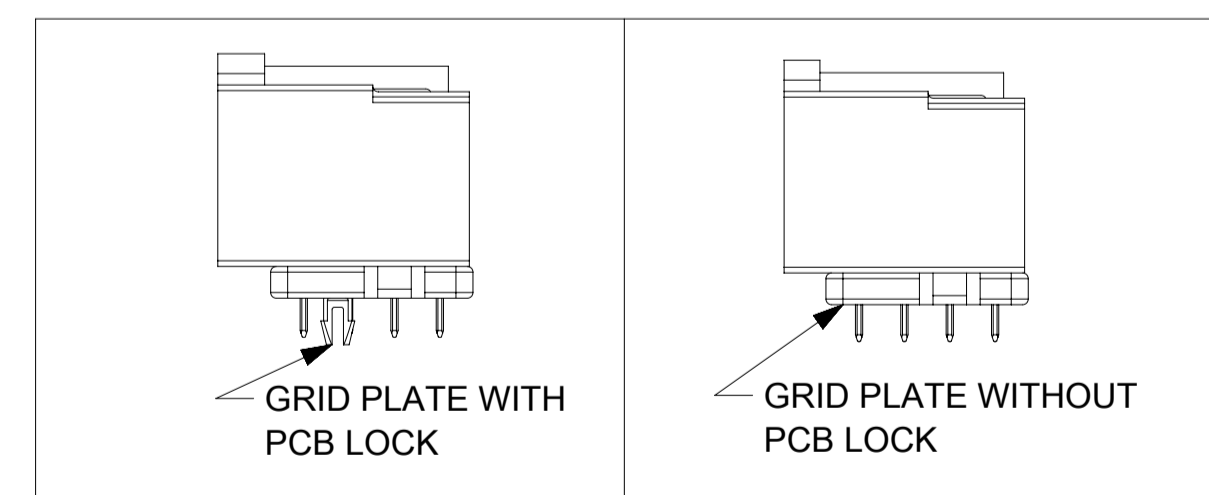
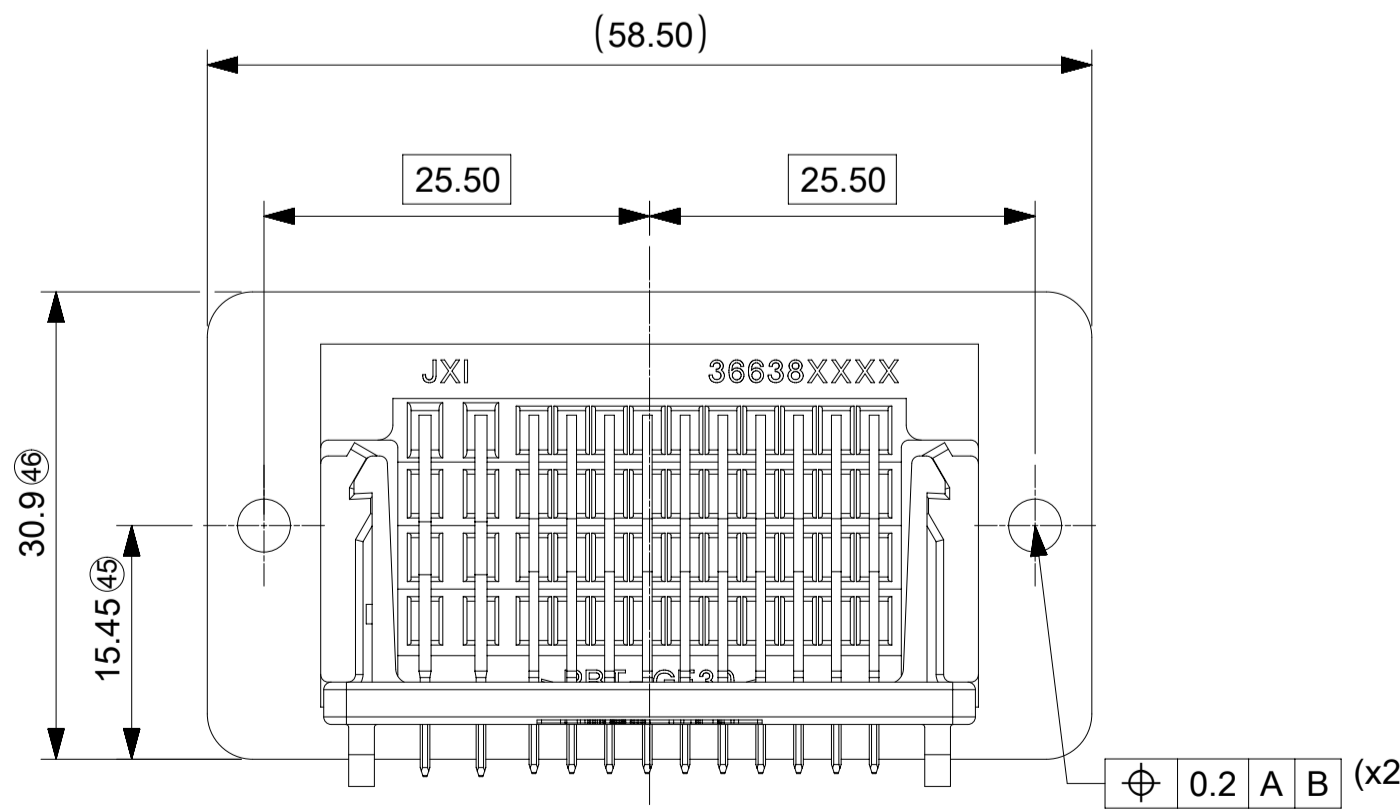
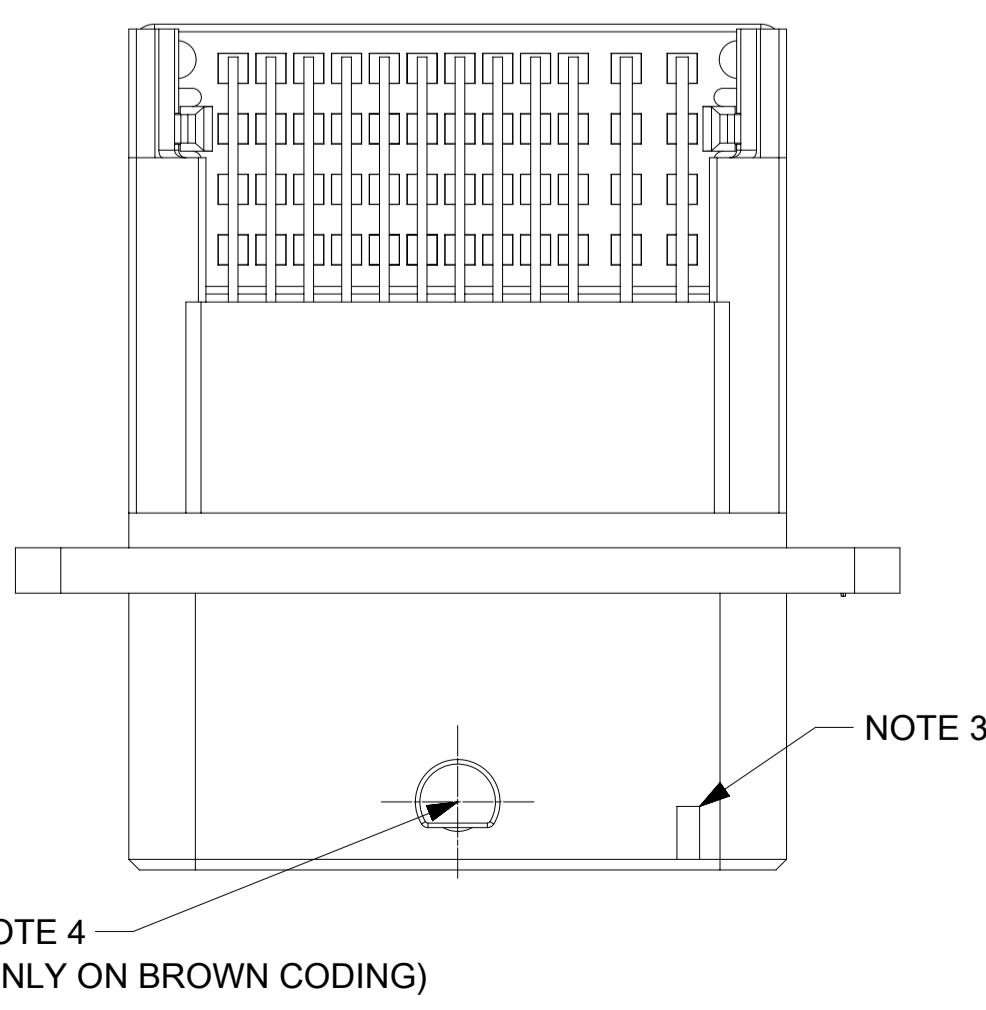
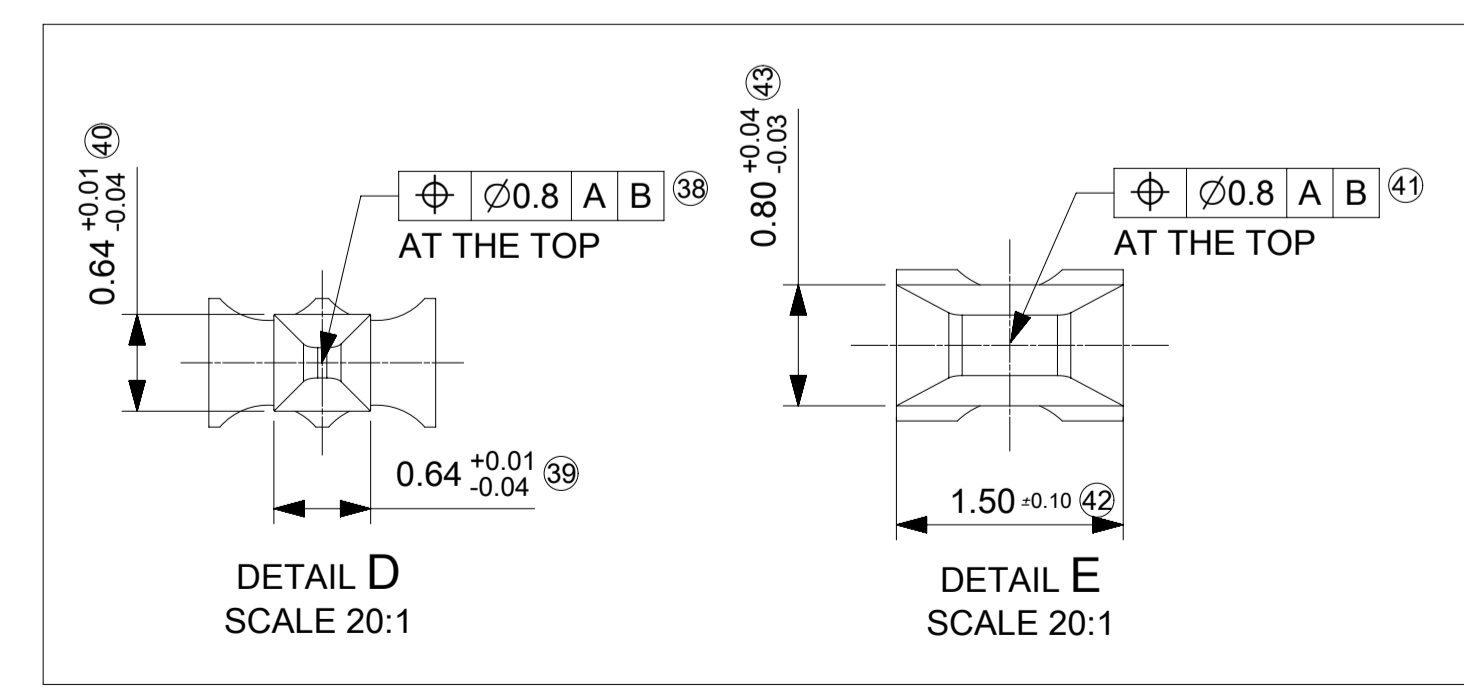
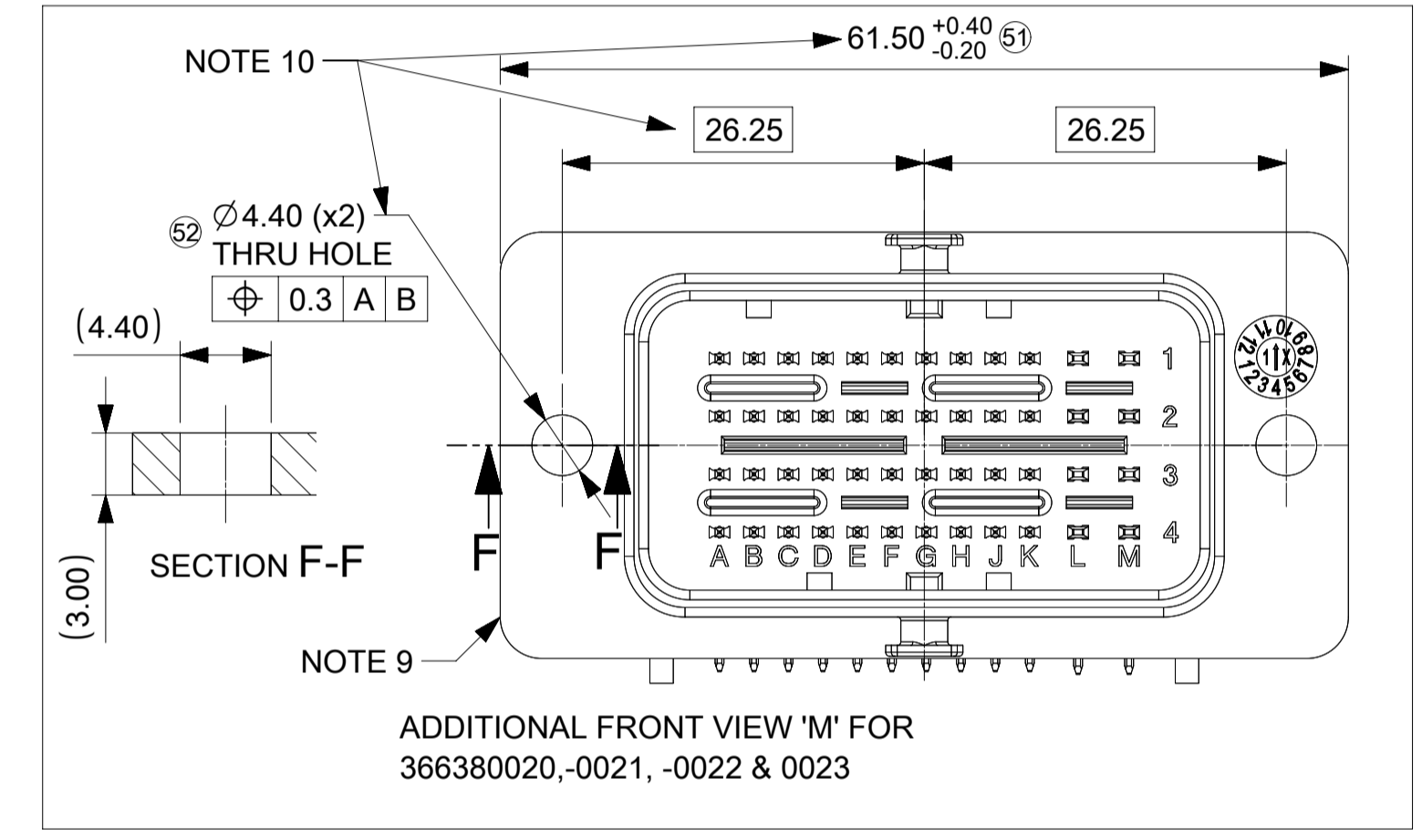
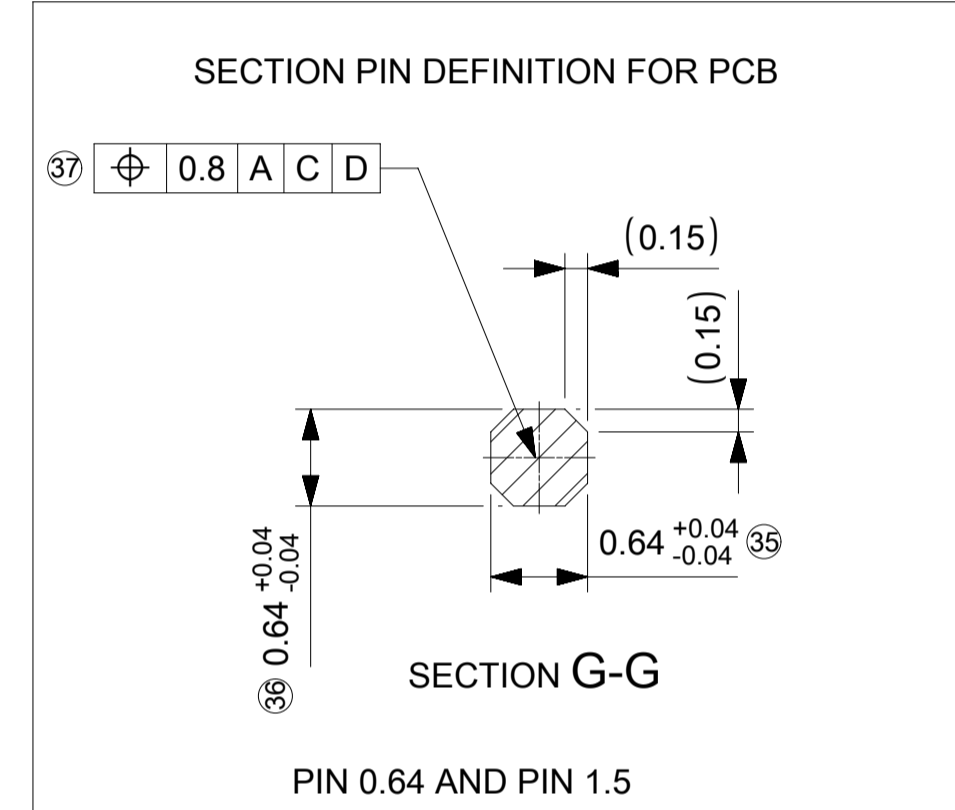
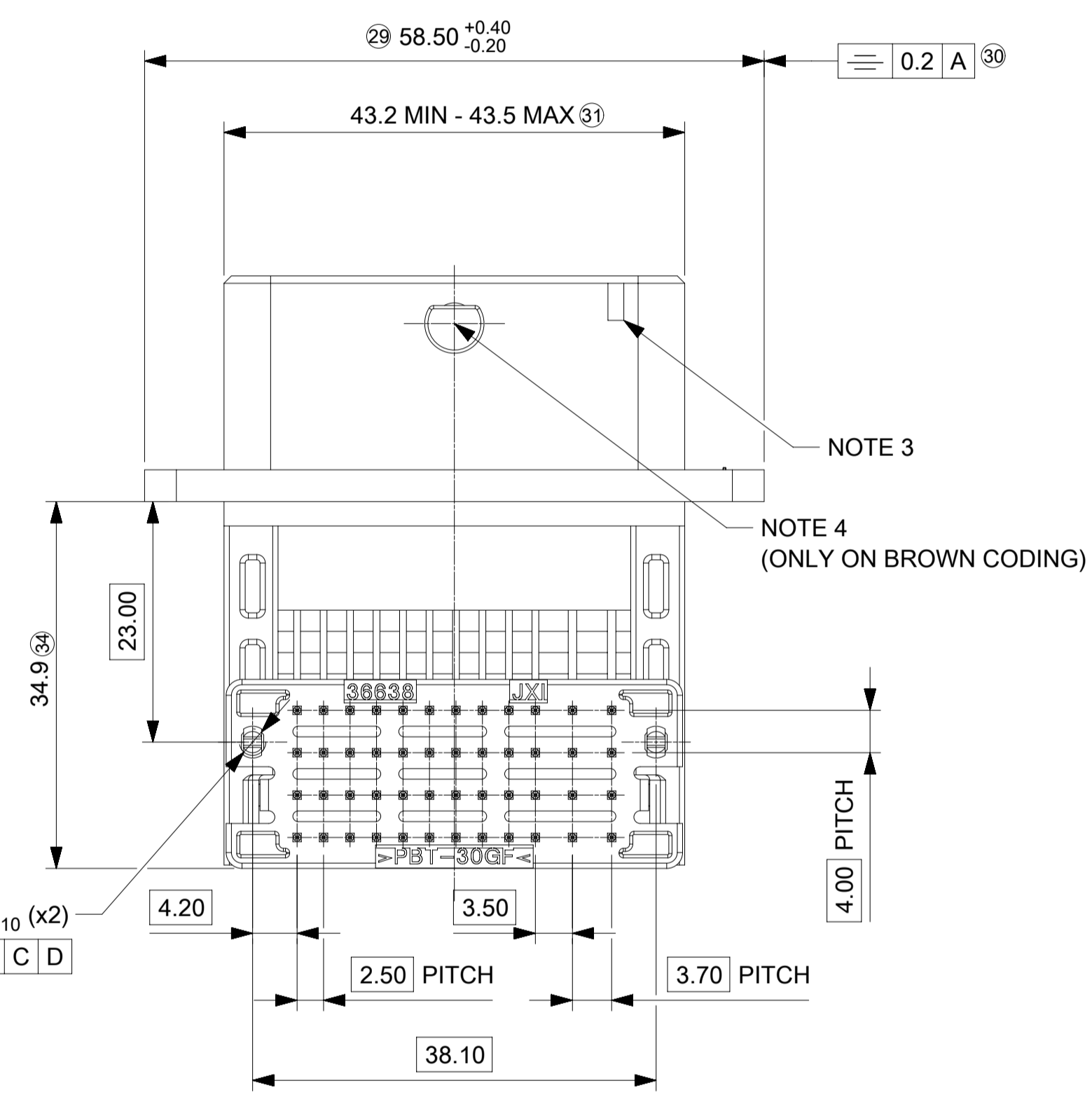
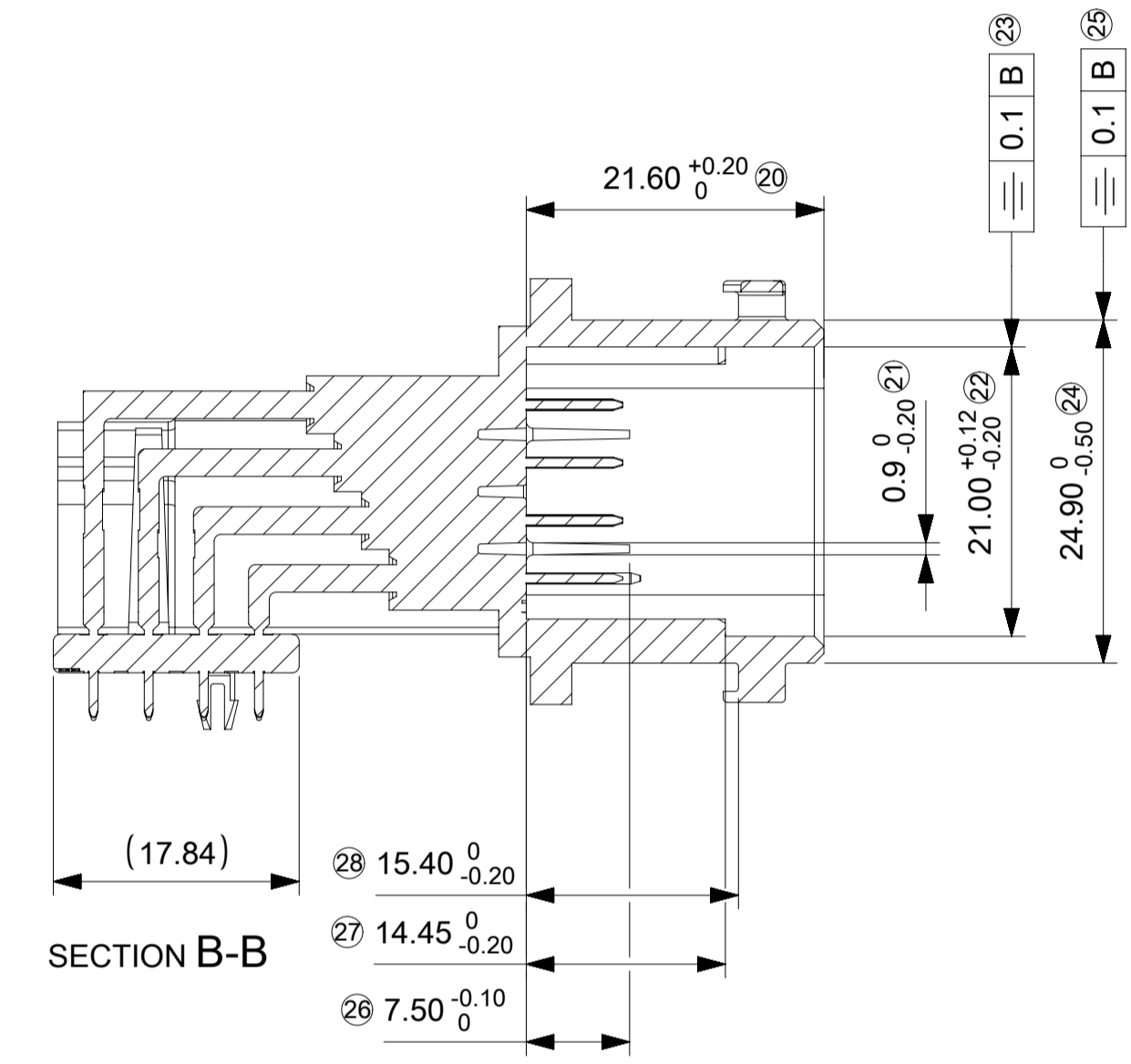


CODING:

DIM	BLACK	BROWN
A	12.90	8.50
B	6.30	10.70
C	8.50	12.90
D	6.30	12.90



THIS DRAWING CONTAINS INFORMATION THAT IS PROPRIETARY TO MOLEX ELECTRONIC TECHNOLOGIES, LLC AND SHOULD NOT BE USED WITHOUT WRITTEN PERMISSION

DIMENSION UNITS	SCALE	CURRENT REV DESC: CHANGES IN TOLERANCE ON DIM 13,21, 27, 31, 32.	
mm	2:1		
GENERAL TOLERANCES (UNLESS SPECIFIED)			
ANGULAR TOL	± 1.0°	EC NO: 617646	
4 PLACES	±	DRWN: SSUVARNA	2019/05/16
3 PLACES	±	CHK'D: RGV	2019/05/21
2 PLACES	± 0.1	APPR: SLAFAURE	2019/10/11
1 PLACE	± 0.2	INITIAL REVISION:	
0 PLACES	±	DRWN: SSUVARNA	2018/12/20
DRAFT WHERE APPLICABLE MUST REMAIN WITHIN DIMENSIONS		APPR: SLAFAURE	2019/01/08
THIRD ANGLE PROJECTION	DRAWING	SERIES	MATERIAL NUMBER
	A1-SIZE	36638	SEE BOM TABLE
CUSTOMER		SHEET NUMBER	
GENERAL MARKET		2 OF 4	

RoHS COMPLIANT

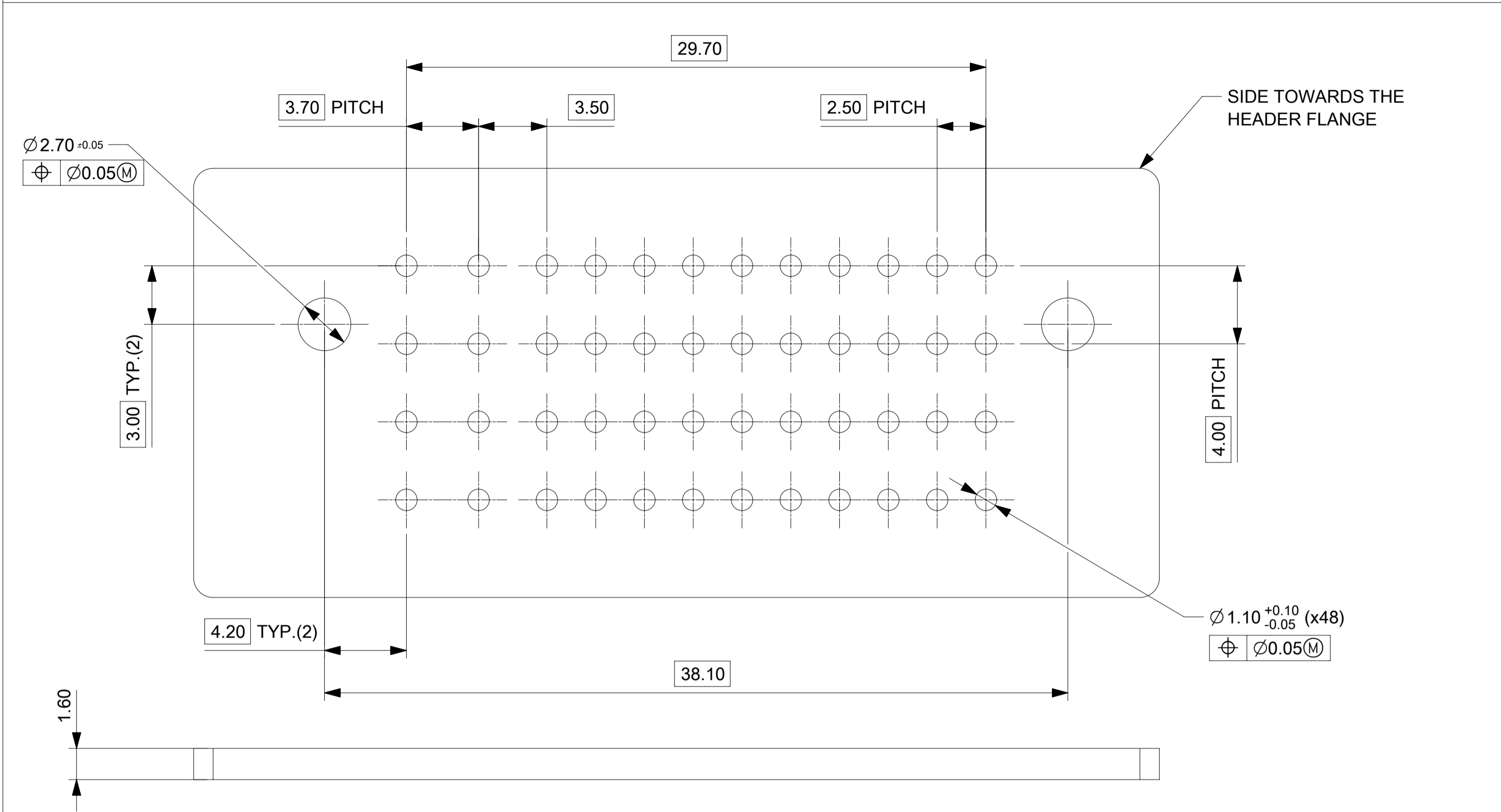
**molex**

48CKT RA S CMC HEADER

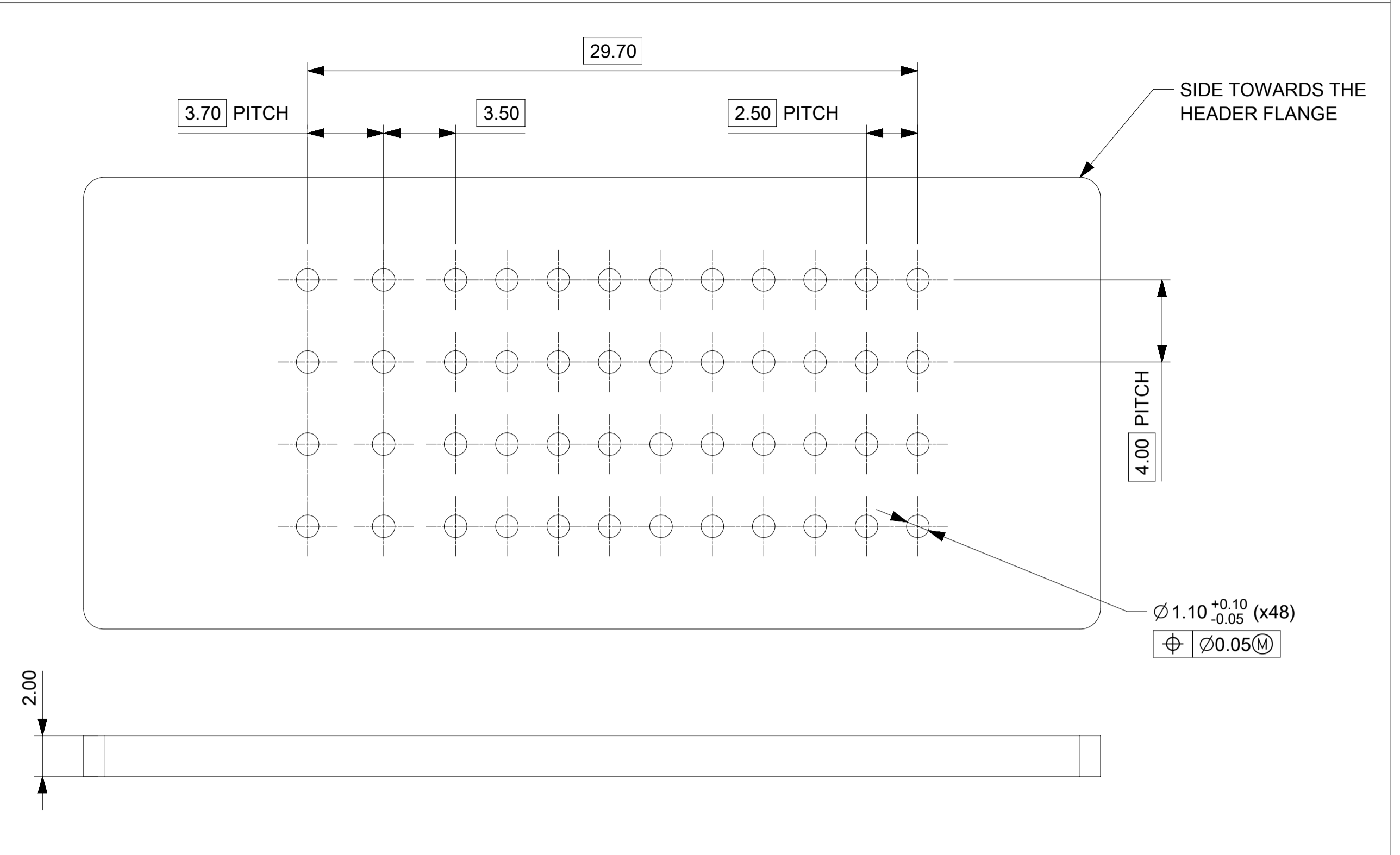
PRODUCT CUSTOMER DRAWING

DOCUMENT NUMBER	DOC TYPE	DOC PART	REVISION
366381000	PSD	000	A4

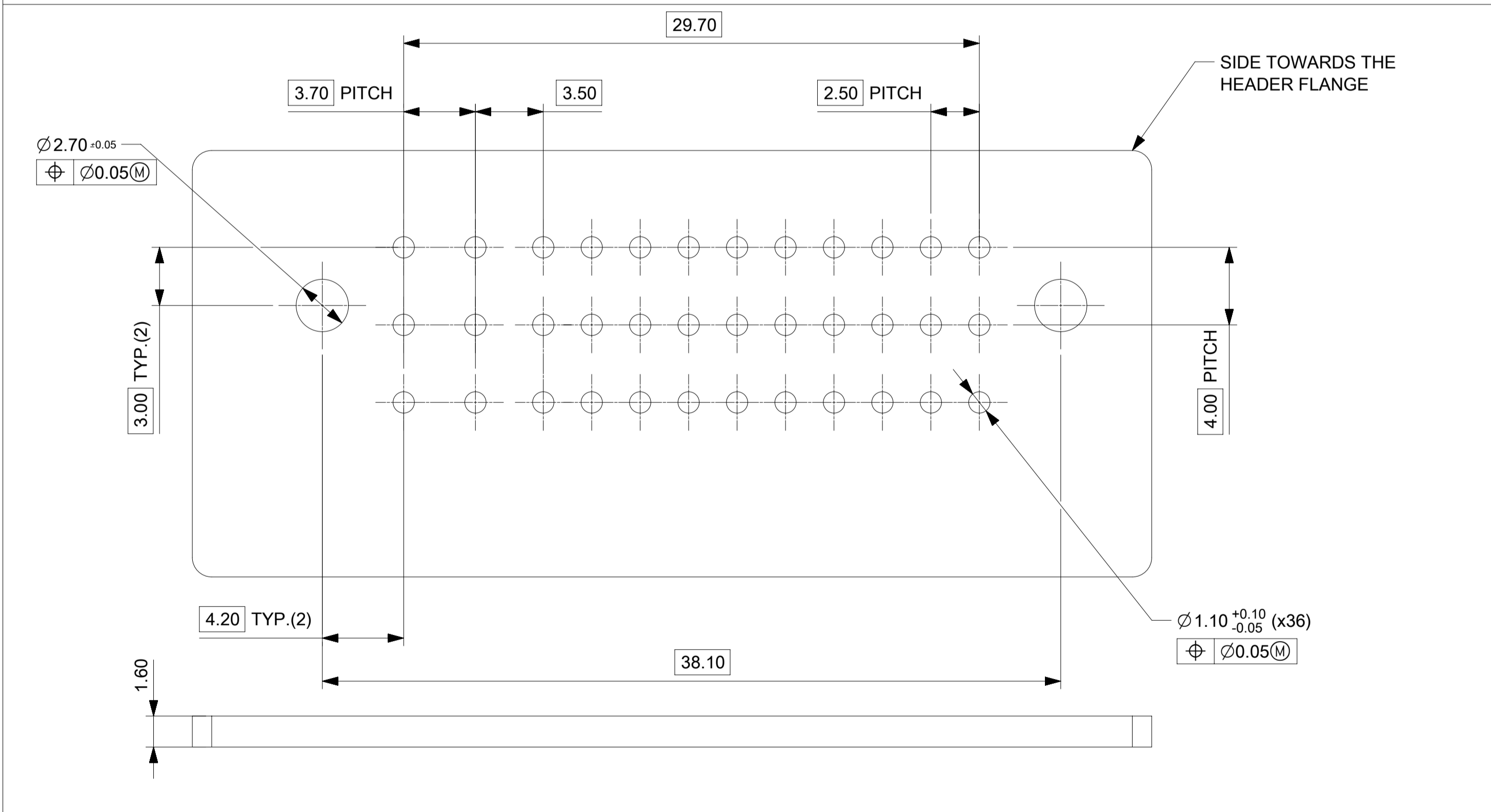
# RECOMMENDED PCB PAYOUT



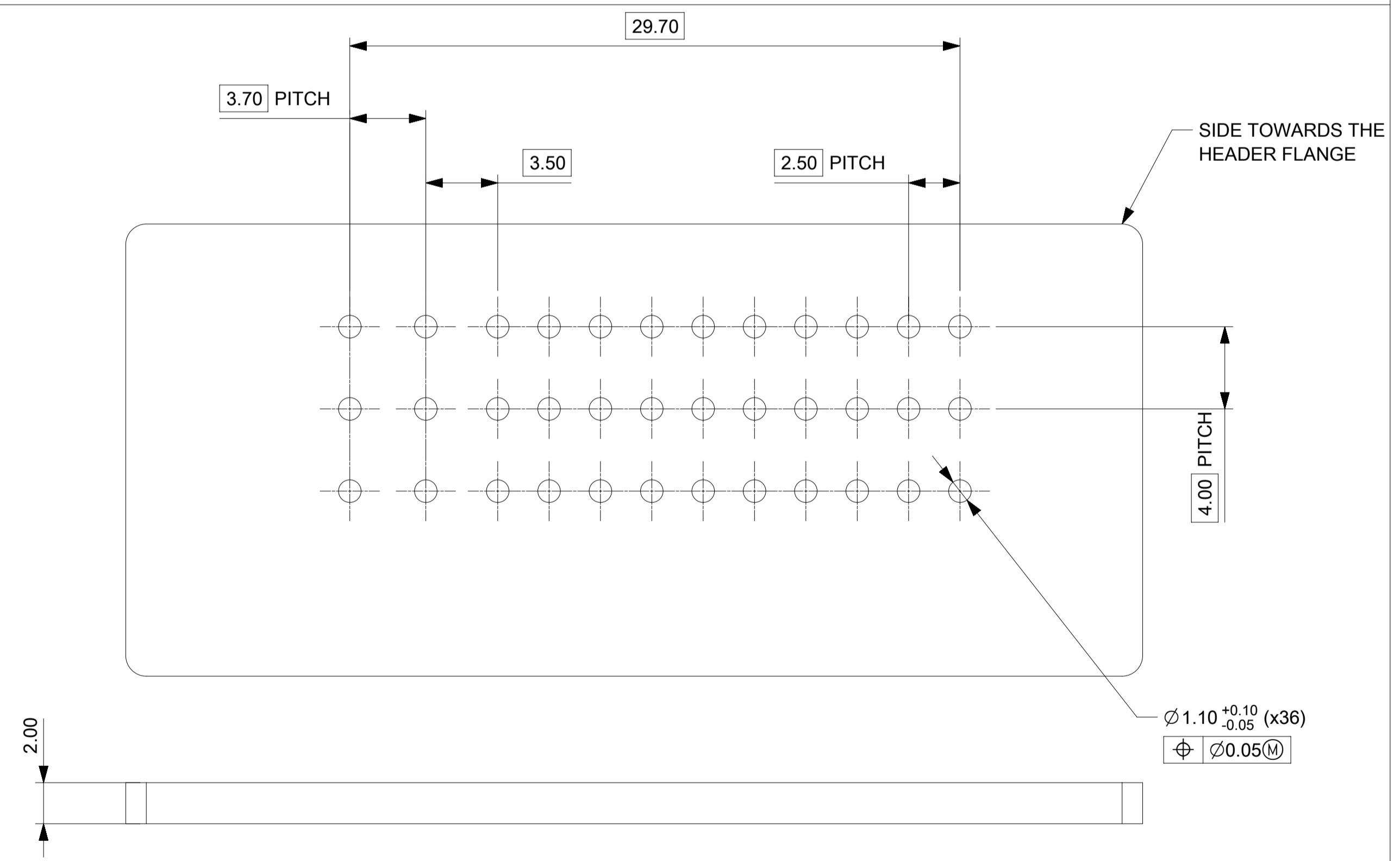
FOR PN 366380002, 366380003, 366380020, 366380021



FOR PN 366380004, 366380005, 366380022, 366380023



FOR PN 366380006, 366380007 AND 366380013

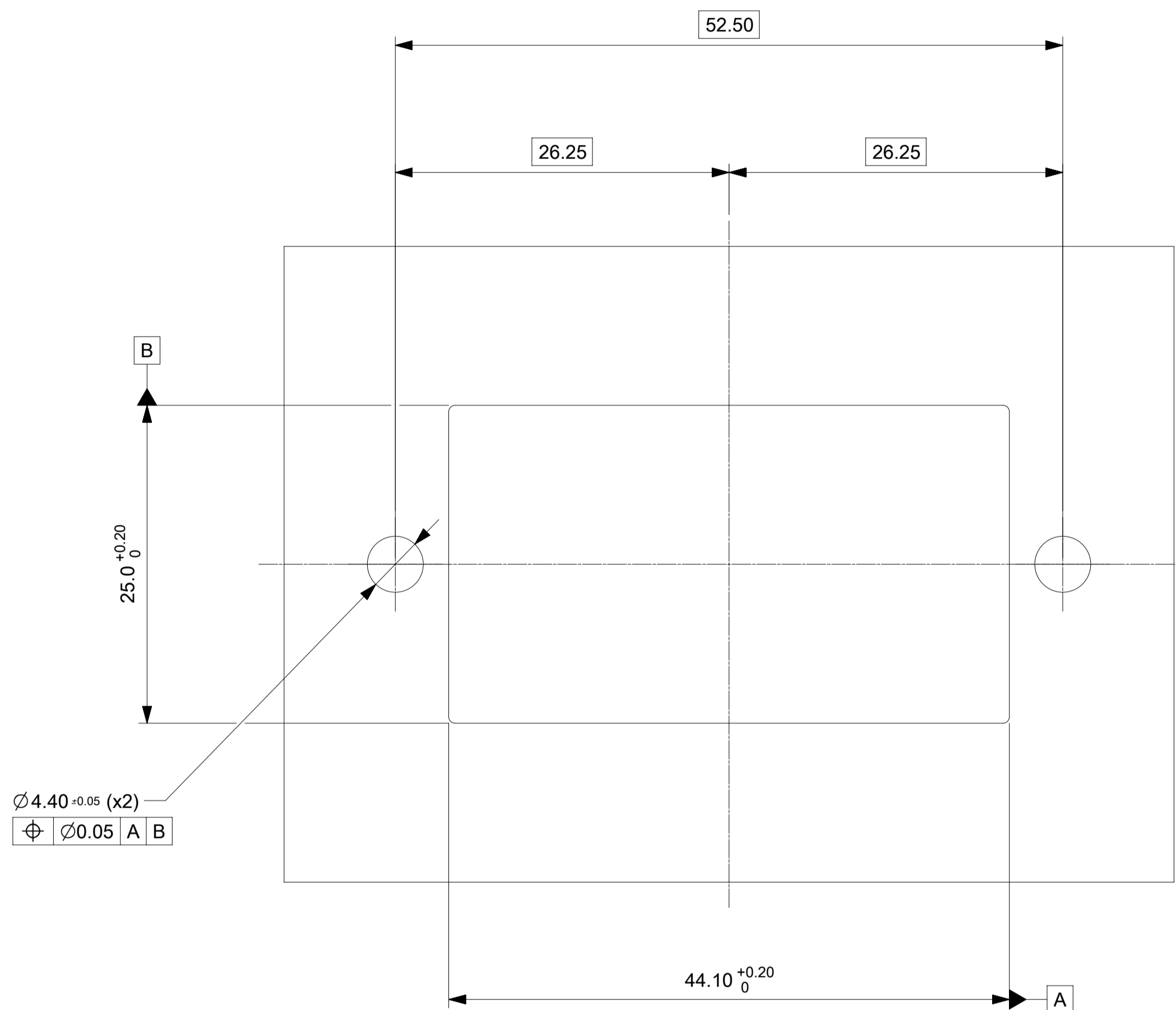
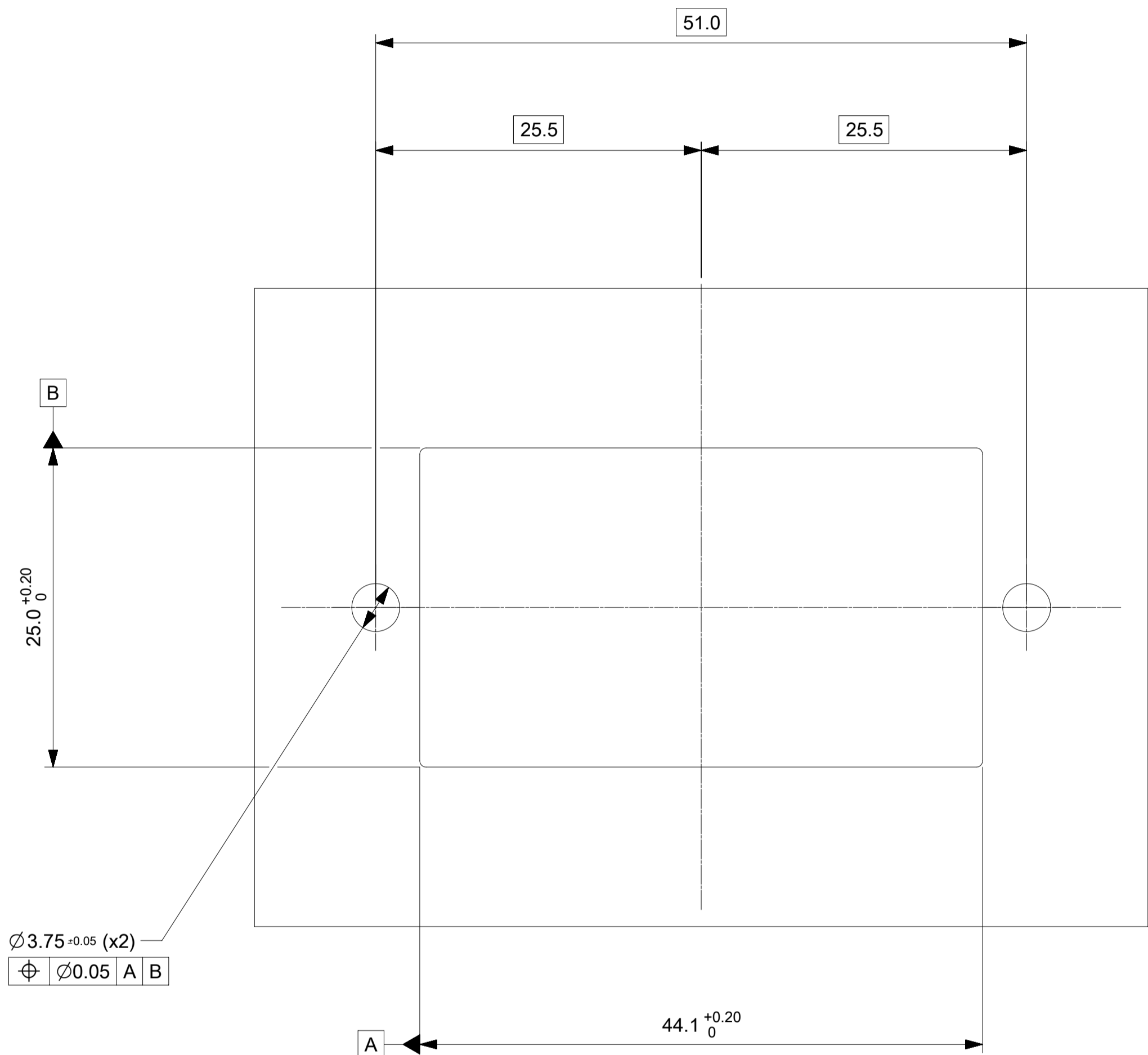


FOR PN 366380008, 366380009 AND 366380019

- NOTES:
1. THE VIEW 'RECOMMENDED PCB LAYOUT' SHOWS THE SECTION OF THE HOLE POSITION CONCERNING THE HEADER-PIN, GUIDING AND LOCKING LAYOUT.
  2. THIS VIEW OF THE HOLE PATTERN DOESN'T POINT TO THE ABSOLUTE POSITION ON THE PCB.
  3. THE HOLE PATTERN IS THE COPY OF THE HEADER LAYOUT.
  4. PLEASE COMBINE THE TWO ELEMENTS (HEADER AND VIEW OF THE HOLE PATTERN).

THIS DRAWING CONTAINS INFORMATION THAT IS PROPRIETARY TO MOLEX ELECTRONIC TECHNOLOGIES, LLC AND SHOULD NOT BE USED WITHOUT WRITTEN PERMISSION		CURRENT REV DESC: CHANGES IN TOLERANCE ON DIM 13,21, 27, 31, 32.			
DIMENSION UNITS	SCALE	EC NO: 617646			
mm	5:1	DRWN: SSUVARNA 2019/05/16		PRODUCT CUSTOMER DRAWING	
GENERAL TOLERANCES (UNLESS SPECIFIED)		CHK'D: RGV 2019/05/21		DOCUMENT NUMBER	
ANGULAR TOL	± 1.0°	APPR: SLAFAURE 2019/10/11		366381000	
4 PLACES	±	INITIAL REVISION:		DOC TYPE   DOC PART   REVISION	
3 PLACES	±	DRWN: SSUVARNA 2018/12/20		PSD   000   A4	
2 PLACES	± 0.1	APPR: SLAFAURE 2019/01/08		MATERIAL NUMBER	
1 PLACE	± 0.2	DRAFT WHERE APPLICABLE MUST REMAIN WITHIN DIMENSIONS		CUSTOMER	
0 PLACES	±	THIRD ANGLE PROJECTION		GENERAL MARKET	
		DRAWING		SHEET NUMBER	
		A1-SIZE		3 OF 4	
		SERIES			
		36638			

# RECOMMENDED PANEL LAYOUT



RECOMMENDED LAYOUT FOR PN 366382020, 366382021, 366382022, 366382023

NOTES:  
1. REQUIRED MATING SURFACE FINISH: Ra 3.0µm MAX OR POLISHED

THIS DRAWING CONTAINS INFORMATION THAT IS PROPRIETARY TO MOLEX ELECTRONIC TECHNOLOGIES, LLC AND SHOULD NOT BE USED WITHOUT WRITTEN PERMISSION									
DIMENSION UNITS <b>mm</b>		SCALE <b>1:1</b>		CURRENT REV DESC: CHANGES IN TOLERANCE ON DIM 13,21, 27, 31, 32.				<b>molex</b>	
GENERAL TOLERANCES (UNLESS SPECIFIED)				EC NO: 617646					
ANGULAR TOL ± 1.0°		4 PLACES ±		DRWN: SSUVARNA 2019/05/16		48CKT RA S CMC HEADER		PRODUCT CUSTOMER DRAWING	
3 PLACES ±		2 PLACES ± 0.1		CHK'D: RGV 2019/05/21		APPR: SLAFAURE 2019/10/11		DOCUMENT NUMBER	
1 PLACE ± 0.2		0 PLACES ±		INITIAL REVISION:		DRWN: SSUVARNA 2018/12/20		366381000	
DRAFT WHERE APPLICABLE MUST REMAIN WITHIN DIMENSIONS		THIRD ANGLE PROJECTION		DRAWING		SERIES		DOC TYPE   DOC PART   REVISION	
		A1-SIZE		36638		MATERIAL NUMBER		CUSTOMER	
						GENERAL MARKET		SHEET NUMBER	
								4 OF 4	