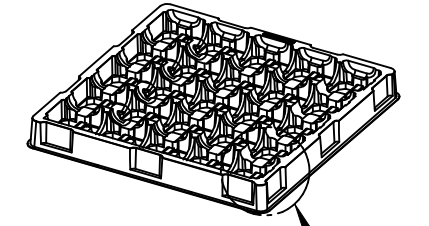
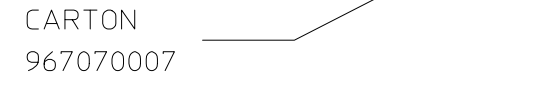
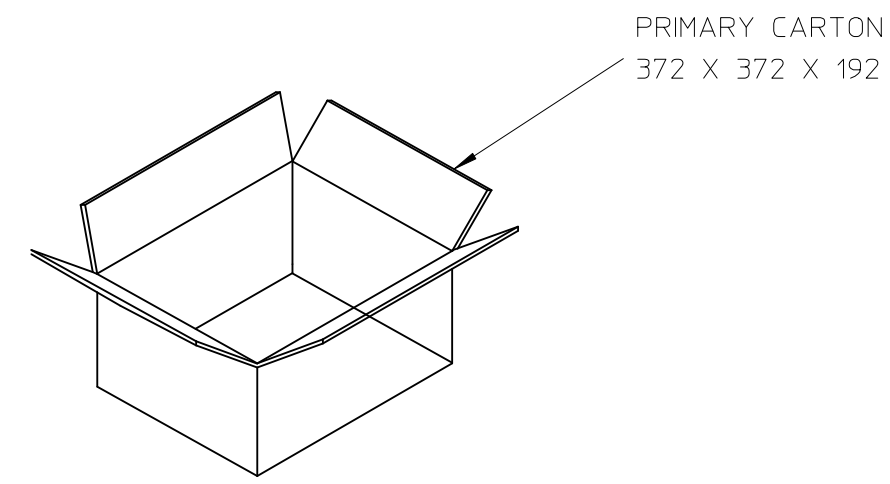


DETAIL 1  
SCALE 1:5



DETAIL 1


REV	DESCRIPTION
G	BOM IS UPDATED WITH NEW TRAY PACKAGING DETAILS

SEE REV. DESCR. EC NO: I2017-0039 DRWN:RGV 2016/10/05 CHKD: APPR: VUTTARKAR 2016/10/26	QUALITY SYMBOLS	GENERAL TOLERANCES (UNLESS SPECIFIED)	DIMENSION STYLE	SCALE	DESIGN UNITS	THIRD ANGLE PROJECTION	
	$\nabla_A = 0$ $\nabla_C = 0$ $\nabla_P = 0$	mm      INCH 4 PLACES ± --- ± --- 3 PLACES ± --- ± --- 2 PLACES ± --- ± --- 1 PLACE ± 2 ± --- 0 PLACE ±      ±	MM ONLY	DRAWN BY: ROOPESH      DATE: 07/06/2006 CHECKED BY: DINESH      DATE: 07/06/2006 APPROVED BY: KPRASAD      DATE: 2010/04/14	TITLE	METRIC	
	ANGULAR ± 1/2° DRAFT WHERE APPLICABLE MUST REMAIN WITHIN DIMENSIONS	SEE CHART	MATERIAL NO. DOCUMENT NO.	PACKING SPECIFICATION CMC HEADER 48/36 WAY			
		SIZE A3	THIS DRAWING CONTAINS INFORMATION THAT IS PROPRIETARY TO MOLEX INCORPORATED AND SHOULD NOT BE USED WITHOUT WRITTEN PERMISSION		SHEET NO. 1 OF 2	<b>molex</b> PK-36638-001	
	REV	DESCRIPTION					

SI. NO.	PART NO.	DESCRIPTION	PACKAGING TRAY NUMBER	CARTON NUMBER	QTY/ TRAY	TRAY/ CARTON	QTY/ CARTON	INTERLEAF NUMBER	INTER LEAF QTY	STANDARD PACK QTY. (SPQ)
1	366380002	CMC HDR WITH SPLIT PEG T3/BK/48	366380392	967070007	25	5	125	365180254	4	125
2	366380003	CMC HDR WITH SPLIT PEG T3/BR/48	366380392	967070007	25	5	125	365180254	4	125
3	366380004	CMC HDR W/O SPLIT PEG T3/BK/48	366380392	967070007	25	5	125	365180254	4	125
4	366380005	CMC HDR W/O SPLIT PEG T3/BR/48	366380392	967070007	25	5	125	365180254	4	125
5	366380006	CMC HDR WITH SPLIT PEG T3/BK/36	366380392	967070007	25	5	125	365180254	4	125
6	366380007	CMC HDR WITH SPLIT PEG T3/BR/36	366380392	967070007	25	5	125	365180254	4	125
7	366380008	CMC HDR W/O SPLIT PEG T3/BK/36	366380392	967070007	25	5	125	365180254	4	125
8	366380009	CMC HDR W/O SPLIT PEG T3/BR/36	366380392	967070007	25	5	125	365180254	4	125
9	366380013	CMC HDR WITH SPLIT PEG T3/BK/36 GOLDPLT	366380392	967070007	25	5	125	365180254	4	125
10	366380021	CMC HDR WITH SPLIT PEG T3/BR/48 3.9MM MOUNTING DIA	366380392	967070007	25	5	125	365180254	4	125
11	366380023	CMC HDR W/O SPLIT PEG T3/BR/36 3.9MM MOUNTING DIA	366380392	967070007	25	5	125	365180254	4	125
12	366380027	CMC HDR WITH SPLIT PEG T3/BK/48 WITH SCREW TAB	366380392	967070007	25	5	125	365180254	4	125
13	366380028	CMC HDR WITH SPLIT PEG T3/BR/48 WITH SCREW TAB	366380392	967070007	25	5	125	365180254	4	125

NOTE:

- REFER TABLE FOR FG PART NUMBERS, SPQ, TRAY AND CARTON BOX USED.
- FOLD AND TAPE THE BOTTOM FLAPS OF THE CARTON-967070007.
- PLACE 5 TRAYS ONE OVER OTHER.PLACE A LAYER PAD ON TOP OF THE TRAYS.
- USE MASKING TAPE/RUBBER BAND TO BIND THE TRAYS AT THE ENDS AS SHOWN IN SHEET 1.  
TAPE 2 ROUND IN BOTH LEFT AND RIGHT SIDE AS SHOWN SHEET 1.
- PLACE THE TRAYS INSIDE THE CARTON BOX.FOLD AND TAPE THE TOP FLAPS OF THE CARTON.

SEE SHEET 1 EC NO: I2017-0039 DRWN:RGV 2016/10/05 CHKD: APPR: VUTTARKAR 2016/10/26 REV	QUALITY SYMBOLS	GENERAL TOLERANCES (UNLESS SPECIFIED)		DIMENSION STYLE MM ONLY		SCALE 1:1	DESIGN UNITS METRIC	THIRD ANGLE PROJECTION	
	$F_A=0$	mm	INCH	DRAWN BY	DATE	TITLE PACKING SPECIFICATION CMC HEADER 48/36 WAY			
	$F_E=0$	4 PLACES ± ---	± ---	ROOPESH	07/06/2006				
	$F_P=0$	3 PLACES ± ---	± ---	CHECKED BY	DATE				
		2 PLACES ± ---	± ---	DINESH	07/06/2006				
	1 PLACE ± 2	± ---	APPROVED BY	DATE	MATERIAL NO.		DOCUMENT NO.		SHEET NO.
	0 PLACE ±	±	KPRASAD	2010/04/14	SEE SHEET 1		PK-36638-001		2 OF 2
ANGULAR ±1/2°			DRAFT WHERE APPLICABLE MUST REMAIN WITHIN DIMENSIONS			THIS DRAWING CONTAINS INFORMATION THAT IS PROPRIETARY TO MOLEX INCORPORATED AND SHOULD NOT BE USED WITHOUT WRITTEN PERMISSION			