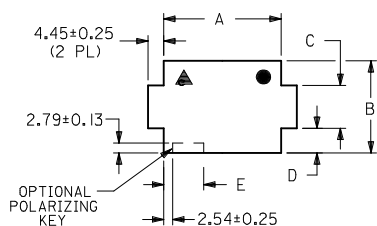
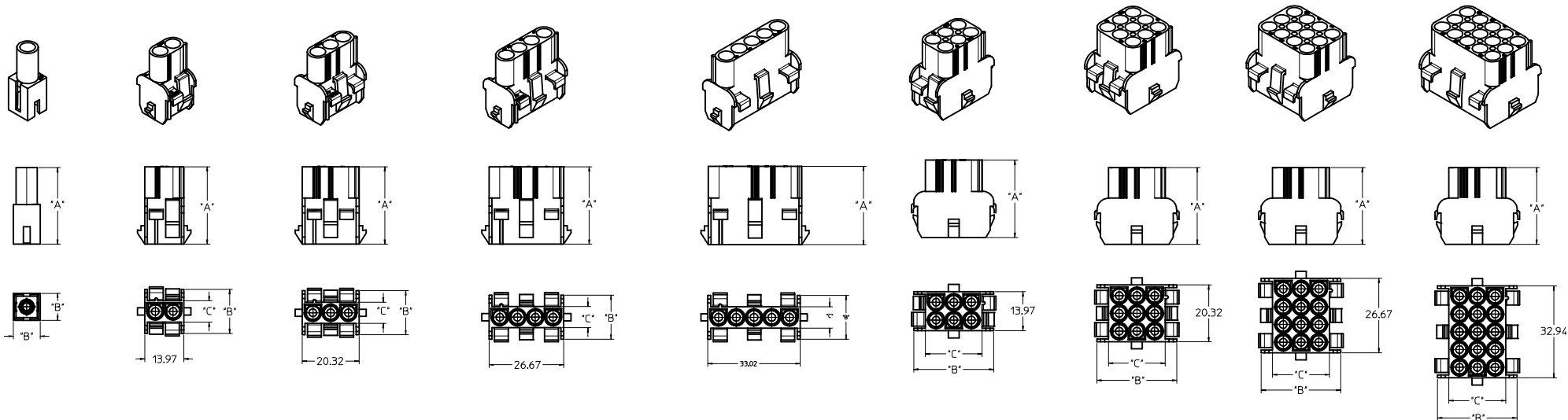


PART NO.	CIRCUIT SIZE	MATERIAL (SEE NOTE 1)	DIM. "A"	DIM. "B"	DIM. "C"
366440001	1	D	27.70	9.65	----
366440002	2	D	27.70	15.75	7.62
366440003	3	D	27.70	15.75	7.62
366440004	4	D	27.70	15.75	7.62
366440010	5	D	27.70	15.75	7.62
366440005	6	D	27.70	28.45	20.32
366440006	9	D	27.70	28.45	20.32
366440007	12	D	27.70	28.45	20.32
366440008	15	D	27.70	28.45	20.32

GENERAL TOL REVISED EC NO: 12018-0003 DRWNGS: 2017/08/30 CHKD: SAGARAVENKA 2017/08/30 APPR: KPRASAD 2017/09/07	DESCRIPTION REV	QUALITY SYMBOLS	GENERAL TOLERANCES (UNLESS SPECIFIED)		DIMENSION STYLE MM ONLY		SCALE 1:1	DESIGN UNITS METRIC	THIRD ANGLE PROJECTION	
		▽=0	4 PLACES ±----	mm	INCH	DRAWN BY	DATE	TITLE HOUSING, CAP 2.13 DIA. SERIES		
		▽=0	3 PLACES ±----	±----	±----	MRAMAKRI SHNA	2013/01/31			
		▽=0	2 PLACES ±0.25	±----	±----	CHECKED BY	DATE	molex DOCUMENT NO. SD-36644-009		
▽=0	1 PLACE ±0.36	±----	±----	APPROVED BY	DATE					
		0 PLACE ±----	±----	±----	KPRASAD	2013/03/11	SHEET NO. 2 OF 2			
ANGULAR ±----°		DRAFT WHERE APPLICABLE MUST REMAIN WITHIN DIMENSIONS		MATERIAL NO.		SEE TABLE				
THIS DRAWING CONTAINS INFORMATION THAT IS PROPRIETARY TO MOLEX INCORPORATED AND SHOULD NOT BE USED WITHOUT WRITTEN PERMISSION										



RECOMMENDED PANEL CUTOUT

PANEL THICKNESS: 0.76-2.29
(SEE NOTE 6)

CIRCUIT SIZE	DIMENSIONS				
	A±.005	B±.005	C±.010	D±.010	E±.010
2	14.35	13.46	8.64	2.41	6.35
3	20.70	13.46	8.64	2.41	6.35
4	27.05	13.46	8.64	2.41	6.35
5	33.40	13.46	8.64	2.41	6.35
6	14.35	26.16	12.19	6.99	6.35
8	52.45	13.46	8.64	2.41	6.35
9	20.70	26.16	12.19	6.99	6.35
12	27.05	26.16	12.19	6.99	8.89
15	33.40	26.16	12.19	6.99	8.89

▲ - CIRCUIT #1 LOCATION WHEN USING POLARIZING KEY OPTION WITH 2, 3, 4 AND 8 CIRCUIT HOUSINGS.

● OPTION WITH 6, 9, 12 AND 15 CIRCUIT HOUSINGS.

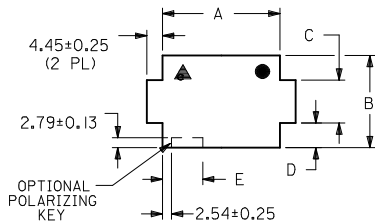
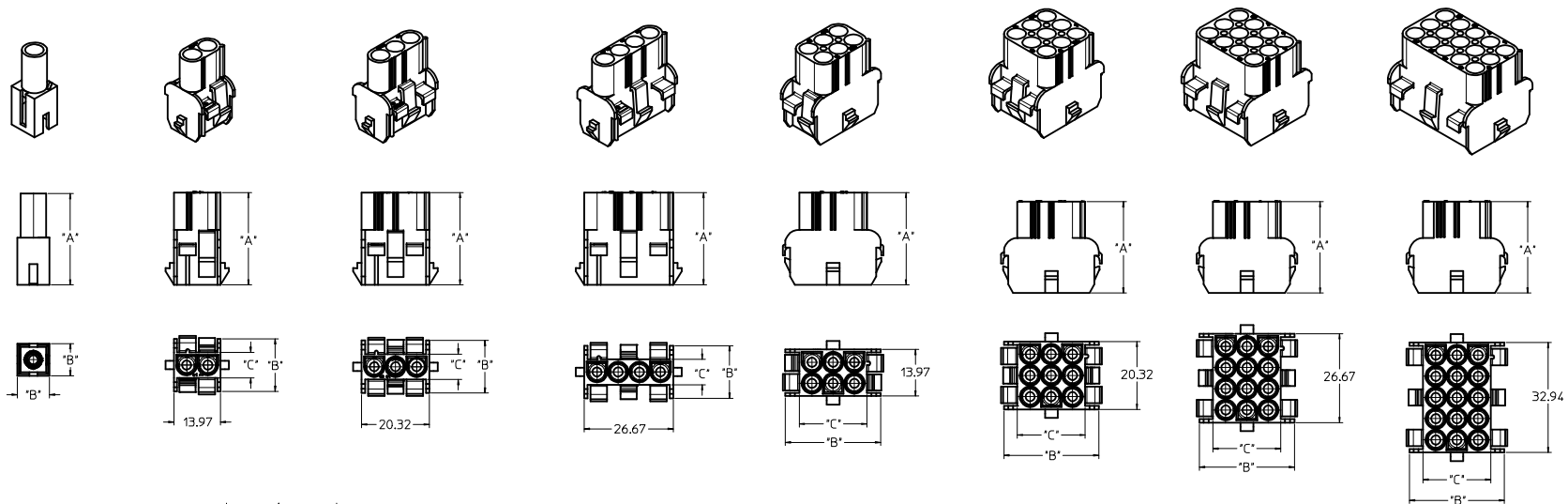
NOTES:

- MATERIAL CODE
D= NYLON, UL94 V-2
COLOUR : NATURAL
GLOW WIRE COMPATIBLE WITH CTI OF 325 VOLTS, ACCORDING TO IEC 60335-4TH EDITION
- UNLESS OTHERWISE INDICATED, DIMENSIONS ARE FOR REFERENCE ONLY
- CAP HOUSINGS MATE WITH:
- PLUG HOUSINGS, 2.13 DIA.SERIES 36643 (SD-36643-009)
- HOUSINGS DESIGNED TO BE USED WITH TERMINALS:
- PINS, 2.13 DIA. SERIES 42023
- SOCKETS, 2.13 DIA. SERIES 42024
- CONTACTS ARE ON 6.35 GRID CENTERLINE SPACING
- PANEL TO BE PUNCHED SO THAT THE HOUSING ENTERS THE PANEL OPPOSITE THE SIDE WITH THE BURR (I.E. OPPOSITE THE BREAK SIDE)
- PRODUCT SPECIFICATION PS-42022-0001 APPLIES

WIPES UPDATED EC NO. 2006-005 2010/08/28 CHANDRASEKHAR 2010/08/28 APPROVED BY: KPRASAD 2010/09/07	QUALITY SYMBOLS	GENERAL TOLERANCES (UNLESS SPECIFIED)	DIMENSION STYLE	SCALE	DESIGN UNITS	THIRD ANGLE PROJECTION
	▽=0	mm INCH	MM ONLY	1:1	METRIC	
	▽=0	4 PLACES ± --- ± ---	DRAWN BY DATE			
	▽=0	3 PLACES ± --- ± ---	MRAMAKRISHNA 2013/01/31			
	2 PLACES ± 0.25 ± ---	CHECKED BY DATE				
	1 PLACE ± 0.36 ± ---	APPROVED BY DATE				
	0 PLACE ± --- ± ---	KPRASAD 2013/03/11				
	ANGULAR ± --- °	MATERIAL NO.	SEE SHEET 2			
	DRAFT WHERE APPLICABLE MUST REMAIN WITHIN DIMENSIONS	SIZE	THIS DRAWING CONTAINS INFORMATION THAT IS PROPRIETARY TO MOLEX INCORPORATED AND SHOULD NOT BE USED WITHOUT WRITTEN PERMISSION			
		DOCUMENT NO.	SD-36644-009			
		SHEET NO.	1 OF 2			

PART NO.	CIRCUIT SIZE	MATERIAL (SEE NOTE 1)	DIM. "A"	DIM. "B"	DIM. "C"
366440001	1	D	27.70	9.65	----
366440002	2	D	27.70	15.75	7.62
366440003	3	D	27.70	15.75	7.62
366440004	4	D	27.70	15.75	7.62
366440010	5	D	27.70	15.75	7.62
366440005	6	D	27.70	28.45	20.32
366440006	9	D	27.70	28.45	20.32
366440007	12	D	27.70	28.45	20.32
366440008	15	D	27.70	28.45	20.32

GENERAL TOL REVISED EC NO: 12018-0003 DRWNGS: 2017/08/30 CHKD: SAGARAVENKA/2017/08/30 APPR: KPRASAD_2017/09/07	DESCRIPTION REV	QUALITY SYMBOLS	GENERAL TOLERANCES (UNLESS SPECIFIED)		DIMENSION STYLE MM ONLY		SCALE 1:1	DESIGN UNITS METRIC	THIRD ANGLE PROJECTION	
		▽=0	4 PLACES ±----	mm	INCH	DRAWN BY	DATE	TITLE HOUSING, CAP 2.13 DIA. SERIES		
		▽=0	3 PLACES ±----	±----	MRAMAKRI SHNA	2013/01/31				
		▽=0	2 PLACES ±0.25	±----	CHECKED BY	DATE	APPROVED BY molex			
▽=0	1 PLACE ±0.36	±----	KPRASAD	2013/03/11						
ANGULAR ±----°			DRAFT WHERE APPLICABLE MUST REMAIN WITHIN DIMENSIONS		MATERIAL NO.	DOCUMENT NO.	SHEET NO. 2 OF 2			
SIZE A2			THIS DRAWING CONTAINS INFORMATION THAT IS PROPRIETARY TO MOLEX INCORPORATED AND SHOULD NOT BE USED WITHOUT WRITTEN PERMISSION							



RECOMMENDED PANEL CUTOUT

PANEL THICKNESS: 0.76-2.29
(SEE NOTE 6)

CIRCUIT SIZE	DIMENSIONS				
	A±0.12	B±0.12	C±0.25	D±0.25	E±0.25
2	14.35	13.46	8.64	2.41	6.35
3	20.70	13.46	8.64	2.41	6.35
4	27.05	13.46	8.64	2.41	6.35
6	14.35	26.16	12.19	6.99	6.35
8	52.45	13.46	8.64	2.41	6.35
9	20.70	26.16	12.19	6.99	6.35
12	27.05	26.16	12.19	6.99	8.89
15	33.40	26.16	12.19	6.99	8.89

▲ - CIRCUIT #1 LOCATION WHEN USING POLARIZING KEY OPTION WITH 2, 3, 4 AND 8 CIRCUIT HOUSINGS.

● - OPTION WITH 6, 9, 12 AND 15 CIRCUIT HOUSINGS.

NOTES:

1) MATERIAL CODES:

- *A* = PA6/6, V-2
COLOUR: NATURAL-TRANSLUCENT
- *C* = PA66/6, V-0
COLOUR: NATURAL-OPAQUE
- *E* = NYLON PA66, 94V-2
COLOUR: BLACK (ZYTEL 101F)

2) UNLESS OTHERWISE INDICATED, DIMENSIONS ARE FOR REFERENCE ONLY.

3) CAP HOUSINGS MATE WITH :
- PLUG HOUSINGS, 2.13 DIA. SERIES: (4201-***)
(4202-***)

4) HOUSINGS DESIGNED TO BE USED WITH TERMINALS:
- PINS, 2.13 DIA. SERIES: (42023-****)
- SOCKETS, 2.13 DIA. SERIES: (42024-****)

5) CONTACTS ARE ON 6.35 GRID CENTERLINE SPACING.

6) PANEL TO BE PUNCHED SO THAT THE HOUSING ENTERS THE PANEL OPPOSITE THE SIDE WITH THE BURR (I.E. OPPOSITE THE BREAK SIDE).

7) PRODUCT SPECIFICATION PS-42022-0001 APPLIES.

8) REFER DOCUMENT NO SD-36644-009 FOR GLOW WIRE COMPATIBLE PART NUMBERS.

NEWS UPDATED EC NO: Z096-0005 IFC: 2012/08/02 IFC: 2012/08/02 IFC: 2012/08/02 APPROVED: 2012/08/02	QUALITY SYMBOLS ▽=0 ▽=0 ▽=0	GENERAL TOLERANCES (UNLESS SPECIFIED)		DIMENSION STYLE		SCALE	DESIGN UNITS	THIRD ANGLE PROJECTION	
				MM ONLY		2:1	METRIC		
				mm	INCH	DRAWN BY		DATE	TITLE
				4 PLACES ± --- ± ---	3 PLACES ± --- ± ---	2 PLACES ± 0.25 ± ---	1 PLACE ± 0.36 ± ---	0 PLACE ± --- ± ---	APPROVED BY
		ANGULAR ± --- °		MATERIAL NO.		DOCUMENT NO.		SHEET NO.	
		DRAFT WHERE APPLICABLE MUST REMAIN WITHIN DIMENSIONS		SEE SHEET 2		SD-42022-***		1 OF 2	
		THIS DRAWING CONTAINS INFORMATION THAT IS PROPRIETARY TO MOLEX INCORPORATED AND SHOULD NOT BE USED WITHOUT WRITTEN PERMISSION							

PART NO	CIRCUIT SIZE	MATERIAL (SEE NOTE 1)	DIM "A"	DIM "B"	DIM "C"
050-84-2010	1	A	27.70	9.65	---
050-84-2012	1	C			
366480021	1	E			
050-84-2020	2	A	27.70	15.75	7.62
050-84-2022	2	C			
366480022	2	E			
050-84-2030	3	A	27.70	15.75	7.62
050-84-2032	3	C			
366480023	3	E			
050-84-2040	4	A	27.70	15.75	7.62
050-84-2042	4	C			
366480024	4	E			
050-84-2060	6	A	27.70	28.45	20.32
050-84-2062	6	C			
366480025	6	E			
050-84-2090	9	A	27.70	28.45	20.32
050-84-2092	9	C			
366480026	9	E			
050-84-2120	12	A	27.70	28.45	20.32
050-84-2122	12	C			
366480027	12	E			
050-84-2150	15	A	27.70	28.45	20.32
050-84-2152	15	C			
366480028	15	E			

SEE SHEET 1 EC IND. 2/26-003 CHC/SAR/ENK/017/08/02 APPROVED 2017/09/07 APPROVED 2017/09/07	QUALITY SYMBOLS	GENERAL TOLERANCES (UNLESS SPECIFIED)	DIMENSION STYLE	SCALE	DESIGN UNITS	THIRD ANGLE PROJECTION
	▽=0	mm INCH	MM ONLY		METRIC	
	▽=0	4 PLACES ±--- ±---	DRAWN BY DATE			
	▽=0	3 PLACES ±--- ±---	RV 87/11/15			
	2 PLACES ±0.25 ±---	CHECKED BY DATE				TITLE
	1 PLACE ±0.36 ±---	GW 87/11/15				HOUSING CAP
	0 PLACE ±--- ±---	APPROVED BY DATE				.084/(2.13) DIA. SERIES
	ANGULAR ±---°	GW 87/11/15				molex
	DRAFT WHERE APPLICABLE	MATERIAL NO. ()				DOCUMENT NO. SD-42022-***
	MUST REMAIN WITHIN DIMENSIONS	SEE CHART				SHEET NO. 2 OF 2
		SIZE 1 THIS DRAWING CONTAINS INFORMATION THAT IS PROPRIETARY TO MOLEX INCORPORATED AND SHOULD NOT BE USED WITHOUT WRITTEN PERMISSION				