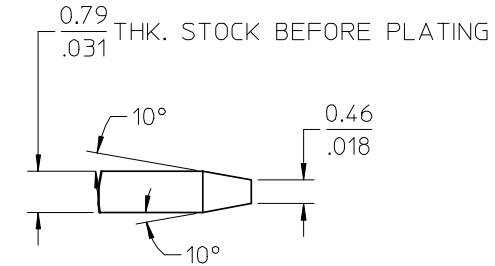
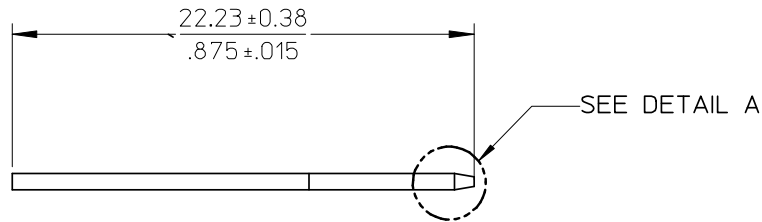
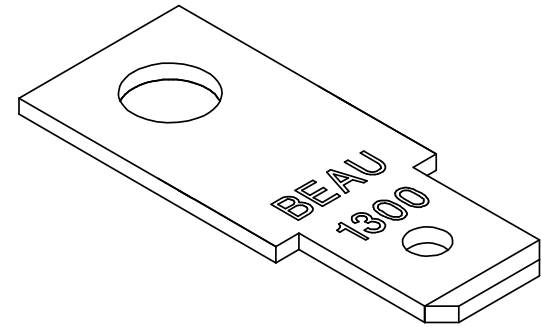
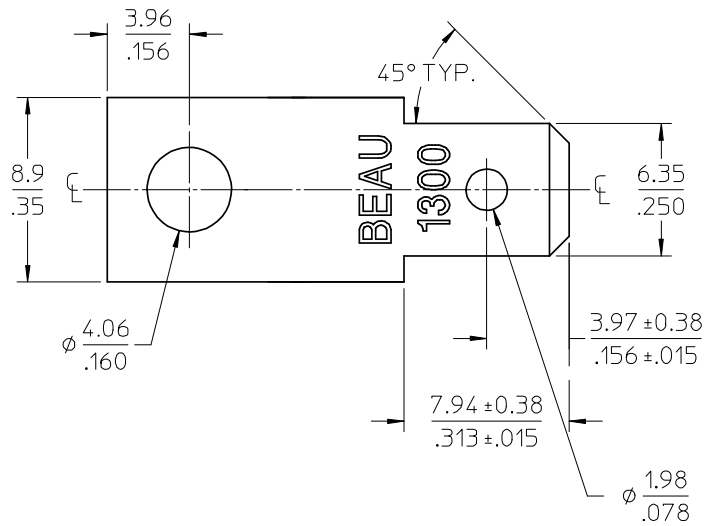


MATERIAL NO.	ENGINEERING NO.	DESCRIPTION	MATERIAL	FINISH
380020080	1313	TERMINAL, FAST TAB, FL	BRASS	TIN OVER COPPER PLATED



DETAIL A
SCALE 10:1

NOTES:
1. PART IS ROHS COMPLIANT.

INITIAL RELEASE EC NO: WNA2008-0052 DRWN: JENCINAS 2008/04/30 CHKD: CYORK 2008/04/30 APPR: JMACNEIL 2008/04/30	DESCRIPTION A	QUALITY SYMBOLS ▽=0 ◻=0	GENERAL TOLERANCES (UNLESS SPECIFIED)		DIMENSION STYLE MM/IN		SCALE 4:1	DESIGN UNITS INCH	THIRD ANGLE PROJECTION
		4 PLACES ± --- ± ---	DRAWN BY J. ENCINAS	DATE 2008/03/31	TITLE TERMINAL, FT, FL (CAT# 1313)				
		3 PLACES ± --- ± .005	CHECKED BY C. YORK	DATE 2008/03/31	MOLEX INCORPORATED				
		2 PLACES ± 0.13 ± .01	APPROVED BY JMACNEIL	DATE 2008/03/31	MATERIAL NO. SEE CHART	DOCUMENT NO. SD-38002-059	SHEET NO. 1 OF 1		
1 PLACE ± 0.3 ± ---			ANGULAR ± 2 °		DRAFT WHERE APPLICABLE MUST REMAIN WITHIN DIMENSIONS		THIS DRAWING CONTAINS INFORMATION THAT IS PROPRIETARY TO MOLEX INCORPORATED AND SHOULD NOT BE USED WITHOUT WRITTEN PERMISSION		