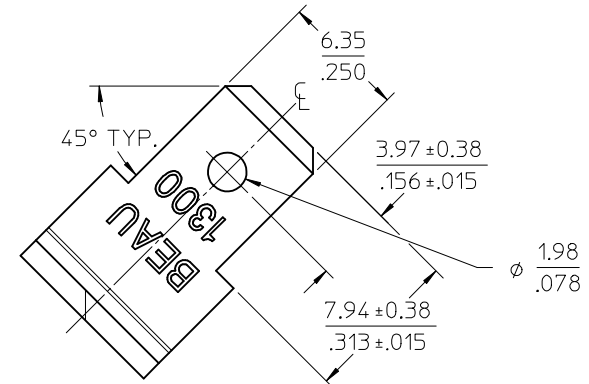
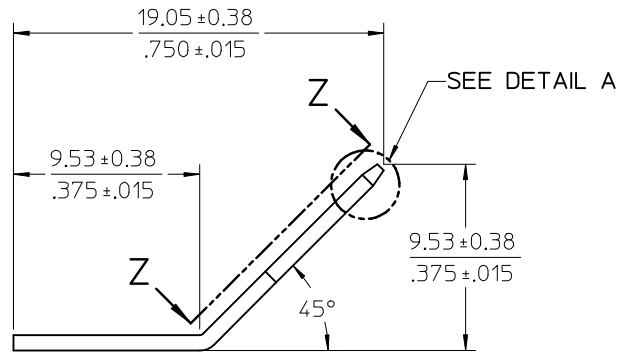
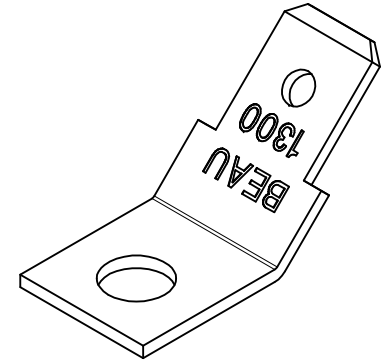


DETAIL A  
SCALE 10:1



VIEW Z-Z

NOTES:

- 1. MATERIAL: BRASS
- 2. FINISH: TIN PLATE
- 3. MUST BE ROHS COMPLIANT.

INITIAL RELEASE EC NO: ETC2006-0503 DRAWN BY: EPHILE 2006/07/17 CHKD: JMACNEIL 2006/07/19 APPR: RDEROSS 2006/07/20	DESCRIPTION A	QUALITY SYMBOLS	GENERAL TOLERANCES (UNLESS SPECIFIED)	DIMENSION STYLE	SCALE	DESIGN UNITS	THIRD ANGLE PROJECTION
		▼=0 ▽=0	mm INCH 4 PLACES ± --- ± --- 3 PLACES ± --- ± .005 2 PLACES ± 0.13 ± .01 1 PLACE ± 0.3 ± --- ANGULAR ± 2 °	MM/IN DRAWN BY: EPHILE CHECKED BY: JMACNEIL APPROVED BY: RDEROSS DATE: 2006/06/28	4:1	INCH	TITLE: TERMINAL, 250 FAST-TAB, SL
		DRAFT WHERE APPLICABLE MUST REMAIN WITHIN DIMENSIONS	MATERIAL NO. 380020084 SIZE B	DATE: 2006/06/28	DOCUMENT NO. SD-38002-049	SHEET NO. 1 OF 1	
		THIS DRAWING CONTAINS INFORMATION THAT IS PROPRIETARY TO MOLEX INCORPORATED AND SHOULD NOT BE USED WITHOUT WRITTEN PERMISSION					