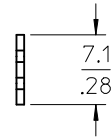
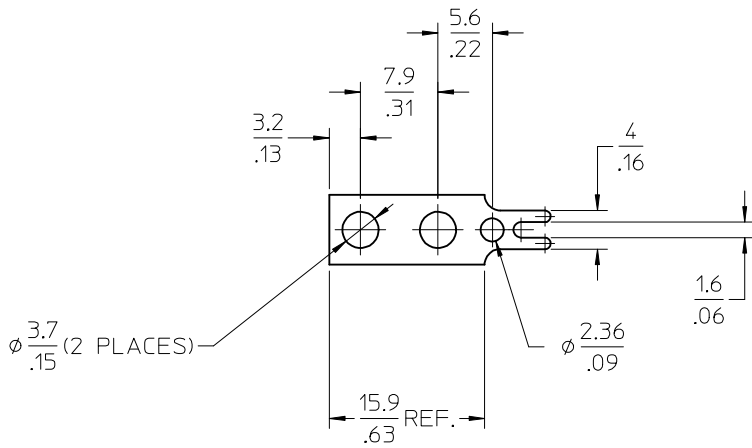
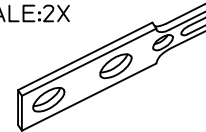


AUX.VIEW
SCALE:2X



NOTES:

1. MATERIAL: SEE TABLE
2. FINISHES: SEE TABLE
3. PRODUCT SPECIFICATION: NOT REQUIRED
4. MATES WITH: NONE

1	1	TERMINAL	BRASS	TIN PLATED
ITEM	QTY.	DESCRIPTION	MATERIAL	FINISH

tb_frame_B
rev. B1 2000/08/01

EC NO: NEO2004-0505
DRWN:RSTONE 2004/02/03
CHKD:RK 2004/02/10
APPR:GROBERTS2004/02/16

REV	DESCRIPTION
A	

QUALITY SYMBOLS	GENERAL TOLERANCES (UNLESS SPECIFIED)	
	mm	INCH
▽ - 0	4 PLACES ± ---	± .0015
	3 PLACES ± 0.038	± .005
	2 PLACES ± 0.13	± .01
▽ / 0	1 PLACE ± 0.3	± ---
	ANGULAR ± 1/2°	
DRAFT WHERE APPLICABLE MUST REMAIN WITHIN DIMENSIONS		

SCALE 2:1	DESIGN UNITS INCH	THIRD ANGLE PROJECTION	REVISE ON CAD ONLY
DIMENSION STYLE MM/IN		TITLE TERMINAL, SOLDER TAB CAT.#141	
DRAWN BY R.STONE	DATE 08-14-03	MATERIAL NO. 380020204	
CHECKED BY RK	DATE 2-5-04	DOCUMENT NO. SD-38002-006	SHEET NO. 1 OF 1
APPROVED BY GHR	DATE 2-26-04	THIS DRAWING CONTAINS INFORMATION THAT IS PROPRIETARY TO MOLEX INCORPORATED AND SHOULD NOT BE USED WITHOUT WRITTEN PERMISSION	

MOLEX INCORPORATED	
--------------------	--