

NOTES:

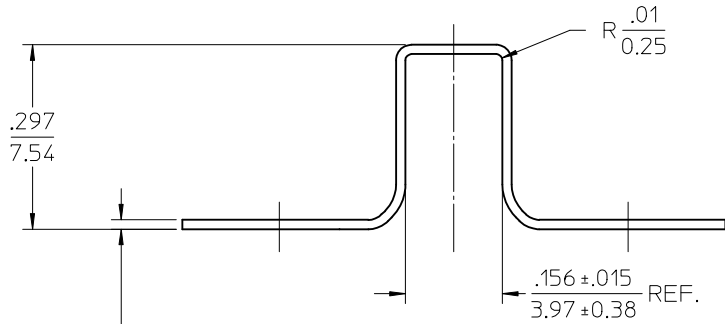
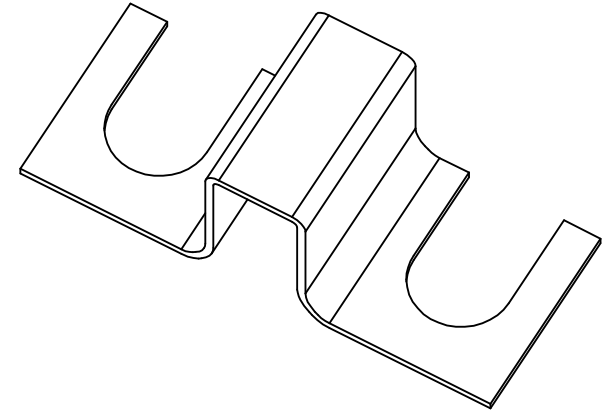
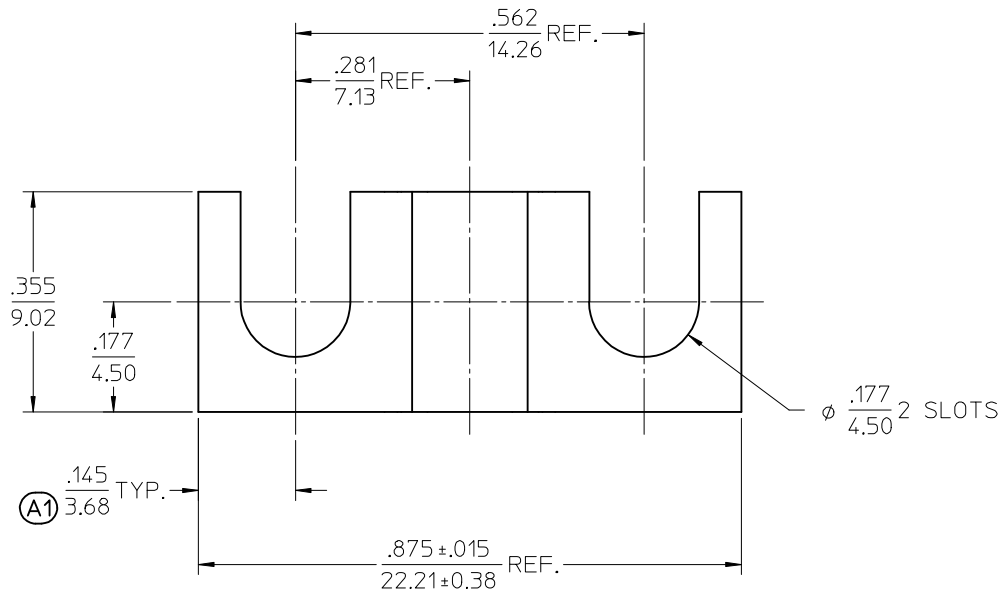
1. MATERIAL: SEE TABLE
2. FINISHES: SEE TABLE
3. PRODUCT SPECIFICATION: NOT REQUIRED
4. PACKAGING: NOT REQUIRED
5. MATES WITH: 21, 22, AND 26 SERIES BTS

380020442	2132	BRASS	NICKEL PLATED
MATERIAL NO.	ENG. NO.	MATERIAL	FINISH

DIMENSION STYLE IN/MM	SCALE 5:1	DESIGN UNITS INCH	THIRD ANGLE PROJECTION
DRAWN BY C. YORK	DATE 2004/03/11	TITLE JUMPER TERMINAL, SLOTTED TYPE	
CHECKED BY R. STONE	DATE 2004/03/16	APPROVED BY GHR	
MATERIAL NO.		DOCUMENT NO.	
SEE CHART		SD-38002-036	

CHANGED SLOT DIM EC NO: ETC2006-0370 DRWN:ASVDH 2006/04/12 CHKD:RDEROSS 2006/04/17 APPR:RDEROSS 2006/04/18	QUALITY SYMBOLS	GENERAL TOLERANCES (UNLESS SPECIFIED)
	▽=0	mm INCH
	▽=0	4 PLACES ± --- ± ---
		3 PLACES ± --- ± .005
		2 PLACES ± 0.13 ± .01
		1 PLACE ± 0.3 ± ---
		ANGULAR ± 2 °
		DRAFT WHERE APPLICABLE MUST REMAIN WITHIN DIMENSIONS

APPROVED BY GHR	DATE 2004/03/17	MATERIAL NO.	DOCUMENT NO.	SHEET NO.
		SEE CHART	SD-38002-036	1 OF 1
THIS DRAWING CONTAINS INFORMATION THAT IS PROPRIETARY TO MOLEX INCORPORATED AND SHOULD NOT BE USED WITHOUT WRITTEN PERMISSION				



.015 STOCK THICKNESS
.381

NOTES:

1. MATERIAL: SEE TABLE
2. FINISHES: SEE TABLE
3. PRODUCT SPECIFICATION: NOT REQUIRED
4. PACKAGING: NOT REQUIRED
5. MATES WITH: 21, 22, AND 26 SERIES BTS

380020442	2132	BRASS	NICKEL PLATED
MATERIAL NO.	ENG. NO.	MATERIAL	FINISH

CHANGED SLOT DIM EC NO: ETC2006-0370 DRWN: ASYDGH 2006/04/12 CHKD: RDEROSS 2006/04/17 APPR: RDEROSS 2006/04/18	QUALITY SYMBOLS	GENERAL TOLERANCES (UNLESS SPECIFIED)	DIMENSION STYLE	SCALE	DESIGN UNITS	THIRD ANGLE PROJECTION
	▽=0	4 PLACES ± --- ± ---	IN/MM	5:1	INCH	☉
	▽=0	3 PLACES ± --- ± .005				
		2 PLACES ± 0.13 ± .01				
		1 PLACE ± 0.3 ± ---				
		ANGULAR ± 2 °				
		DRAFT WHERE APPLICABLE MUST REMAIN WITHIN DIMENSIONS				
			MATERIAL NO.	DOCUMENT NO.	TITLE	
			SEE CHART	SD-38002-036	JUMPER TERMINAL, SLOTTED TYPE	
			SIZE B	THIS DRAWING CONTAINS INFORMATION THAT IS PROPRIETARY TO MOLEX INCORPORATED AND SHOULD NOT BE USED WITHOUT WRITTEN PERMISSION		