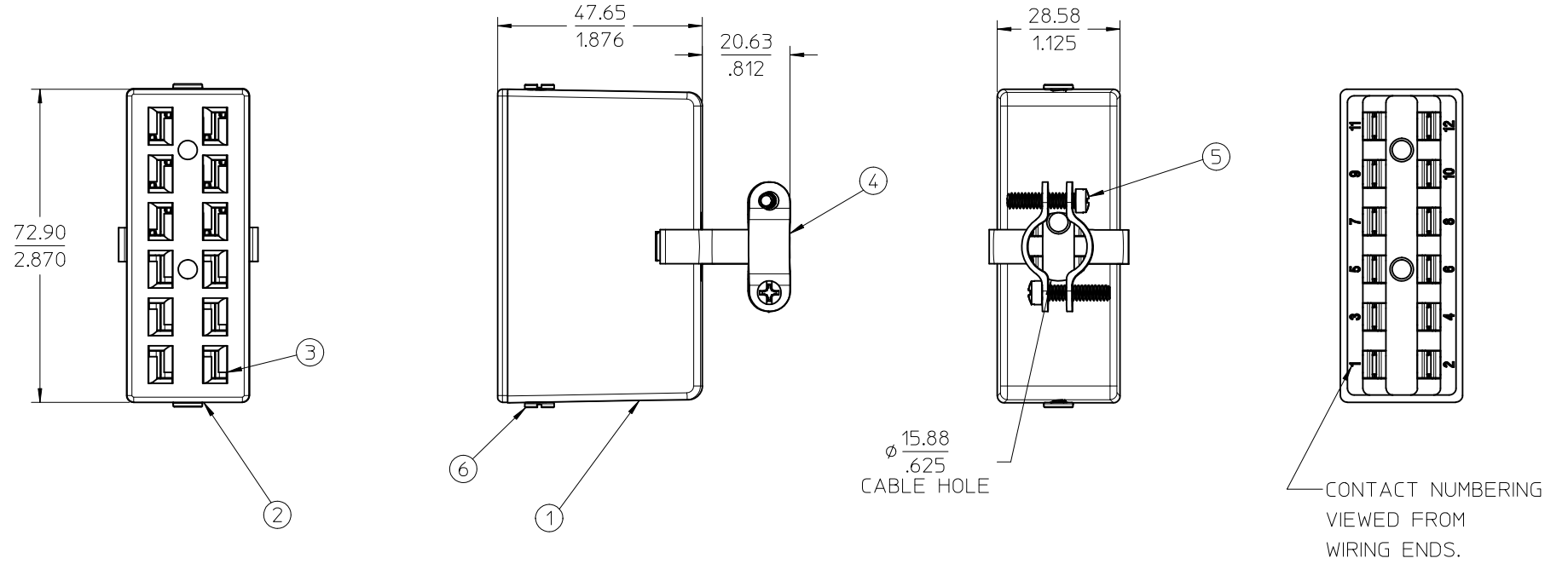
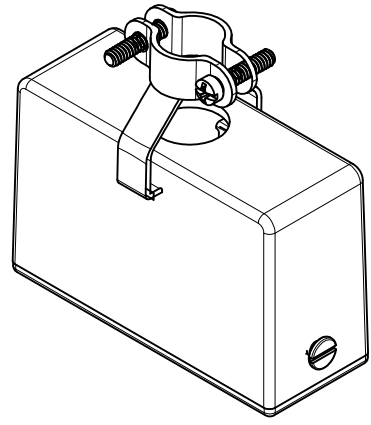


10 9 8 7 6 5 4 3 2 1



CONTACT NUMBERING
VIEWED FROM
WIRING ENDS.



ITEM	QTY	DESCRIPTION	MATERIAL	FINISH
6	2	SCREW #6-32X.312 PAN SLOTNI/STEEL	STEEL	NICKEL
5	2	SCREW #6-32X.625 FIL SLOTZN/BR/STL	STEEL	ZINC
4	2	CLAMP CABLE 3300 NI	STEEL	NICKEL
3	12	CONTAC S1 5400 SN/D	PHOS,BRONZE	TIN
2	1	BASE SOCKET 5412 MOGPP	PHENOLIC	BLACK
1	1	BCKSHL P S 5412 MO	POLYESTER	BLACK

NOTES:
1. ASSEMBLY IS ROHS COMPLIANT.

INITIAL RELEASE	2010/07/10	2010/07/12
EC NO: WNA2010-0319	2010/05/13	
DRWNGES	CHKD:CLYORK	APPR:DTITUS
DESCRIPTION		
REV		

QUALITY SYMBOLS ▽=0 ∇=0	GENERAL TOLERANCES (UNLESS SPECIFIED)		DIMENSION STYLE MM/IN	SCALE 1:1	DESIGN UNITS INCH	THIRD ANGLE PROJECTION
	mm	INCH	DRAWN BY GES	DATE 2010/02/10	TITLE SOCKET, CCT 5412 ASY	
	4 PLACES ± --- ± ---	3 PLACES ± --- ± .015	CHECKED BY CLYORK	DATE 2010/05/13		
	2 PLACES ± 0.38 ± ---	1 PLACE ± --- ± ---	APPROVED BY DTITUS	DATE 2010/07/12		
	ANGULAR ± 1/2°		MATERIAL NO. 385418412	DOCUMENT NO. SD-38541-016	SHEET NO. 1 OF 1	
DRAFT WHERE APPLICABLE MUST REMAIN WITHIN DIMENSIONS			THIS DRAWING CONTAINS INFORMATION THAT IS PROPRIETARY TO MOLEX INCORPORATED AND SHOULD NOT BE USED WITHOUT WRITTEN PERMISSION			

9 8 7 6 5 4 3 2 1