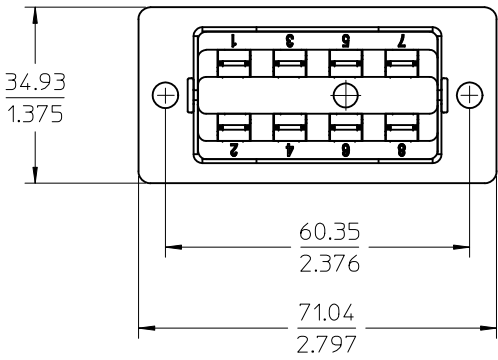
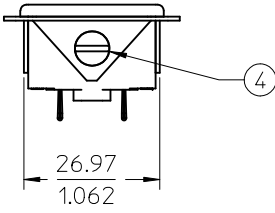
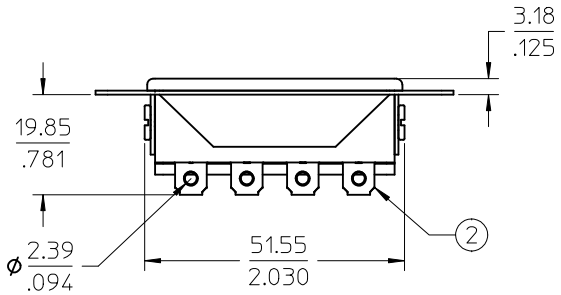
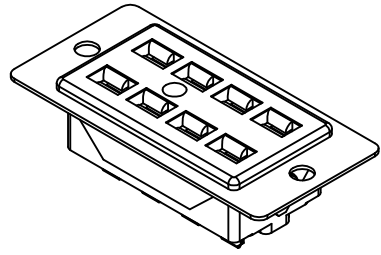


HOLE-CLEARANCE FOR .156 DIA POLARIZING PIN

.200 DIA. 2 HOLES



NOTES:
1.ASSEMBLY IS ROHS COMPLIANT

ITEM	QTY	DESCRIPTION	MATERIAL	FINISH
4	2	SCREW #6-32 X.312 PAN SLOT NI/STEEL	STEEL	NICKEL
3	1	BRACKET SHALLOW 5408 PAINT	STEEL	BLACK PAINT/ZINC
2	8	CONTACT S 5400 SN/D	PHOS.BRONZE	TIN
1	1	BASE SOCKET 5408 SN/D MOGPP	PHENOLIC	BLACK

INITIAL RELEASE EC NO: WNA2010-0273 DRWNGES 2009/10/23 CHKD: CLYORK 2010/05/11 APPR: DTITUS 2010/07/12	DESCRIPTION REV A	QUALITY SYMBOLS ▽=0 ◻=0	GENERAL TOLERANCES (UNLESS SPECIFIED) mm INCH 4 PLACES ± --- ± --- 3 PLACES ± --- ± .015 2 PLACES ± 0.38 ± --- 1 PLACE ± --- ± --- ANGULAR ± 1/2°	DIMENSION STYLE MM/IN DRAWN BY CLYORK DATE 2009/10/22 CHECKED BY CLYORK DATE 2010/05/11 APPROVED BY RDEROSS DATE 2009/10/22	SCALE 1:1 DESIGN UNITS INCH THIRD ANGLE PROJECTION	TITLE SOCKET, SB 5408 ASY
		DRAFT WHERE APPLICABLE MUST REMAIN WITHIN DIMENSIONS		MATERIAL NO. 385421308	DOCUMENT NO. SD-38542-007	SHEET NO. 1 OF 1
		THIS DRAWING CONTAINS INFORMATION THAT IS PROPRIETARY TO MOLEX INCORPORATED AND SHOULD NOT BE USED WITHOUT WRITTEN PERMISSION				
		MOLEX INCORPORATED				