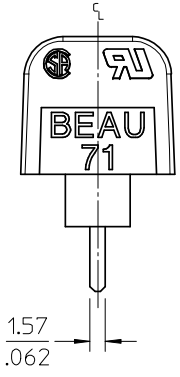
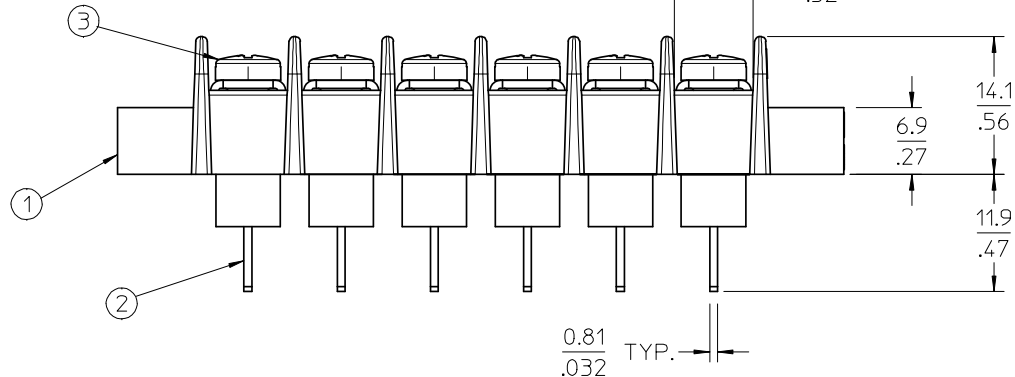
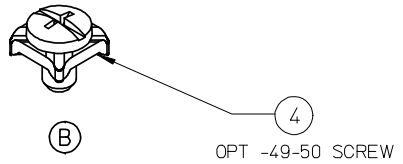
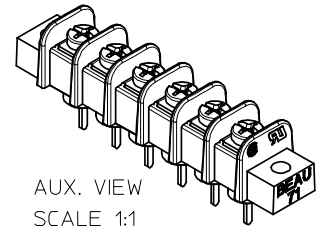
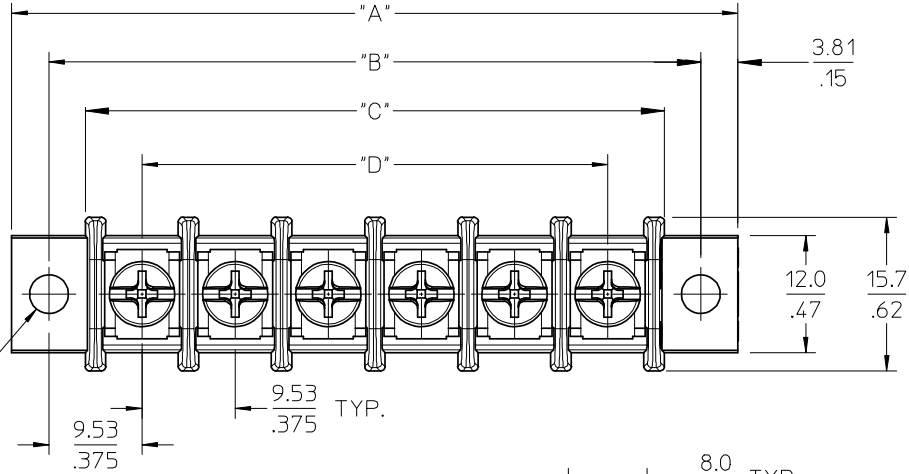


MATERIAL NUMBER (OPT -49-50)	MATERIAL NUMBER (OPT -49)	# OF CIRC. XX	DIM. "A"	DIM. "B"	DIM. "C"	DIM. "D"
⑥	387190540	2	40.1 (1.59)	28.58 (1.125)	21.1 (0.83)	9.53 (0.375)
F	387190624	3	49.6 (1.96)	38.10 (1.500)	30.7 (1.21)	19.05 (0.750)
	387190539	4	59.2 (2.34)	47.63 (1.875)	40.2 (1.58)	28.58 (1.125)
	387190260	5	68.7 (2.71)	57.15 (2.250)	49.7 (1.96)	38.10 (1.500)
	387190436	6	78.2 (3.09)	66.68 (2.625)	59.2 (2.33)	47.63 (1.875)
	387190258	7	87.7 (3.46)	76.20 (3.000)	66.8 (2.71)	57.15 (2.250)
	387190378	8	97.3 (3.84)	85.73 (3.375)	78.3 (3.08)	66.68 (2.625)
E	387190235	9	106.8 (4.21)	95.25 (3.750)	87.8 (3.46)	76.20 (3.000)
	387190239	10	116.3 (4.59)	104.78 (4.125)	97.3 (3.83)	85.73 (3.375)
	387190535	11	125.8 (4.96)	114.30 (4.500)	106.9 (4.21)	95.25 (3.750)
	387190566	12	135.4 (5.34)	123.83 (4.875)	116.4 (4.58)	104.78 (4.125)
	387190439	13	144.9 (5.71)	133.35 (5.250)	125.9 (4.96)	114.30 (4.500)



- NOTES:
 1. MATERIAL: SEE TABLE
 2. FINISHES: SEE TABLE
 3. PRODUCT SPECIFICATION: NOT REQUIRED
 4. DIMS ARE SHOWN IN MM/INCH
 5. XX REFERS TO THE NUMBER OF CIRCUITS
 6. ROHS COMPLIANT.

ITEM	QTY	DESCRIPTION	MATERIAL	FINISH
4	XX	6-32 PHSL SCREW W/WASHER (OPT -49-50)	BRASS	NICKEL PLATE
3	XX	6-32 BHD PHIL-SLOTTED SCREW (OPT -49)	BRASS	NICKEL PLATE
2	XX	TERMINAL WW, 6-32	BRASS	TIN PLATE
1	1	SR BTS INSUL 12 MOMTG EV	THERMOPLASTIC	BLACK

ADD PART NUMBER EC NO: WNA2008-0402 2008/07/28 DRAWN: JENC INAS 2008/08/15 CHKD: CYORK 2008/08/15 APPR: JMACNEIL 2008/08/15 B	QUALITY SYMBOLS ▽=0 ▽=0	GENERAL TOLERANCES (UNLESS SPECIFIED)		DIMENSION STYLE MM/IN		SCALE 2:1	DESIGN UNITS INCH	THIRD ANGLE PROJECTION
		4 PLACES ± --- ± --- 3 PLACES ± --- ± .005 2 PLACES ± 0.13 ± .01 1 PLACE ± 0.3 ± ---	DRAWN BY JENC INAS	DATE 2007/11/02	TITLE 9.53/.375 LOW PROF. BTS WITH SOLID MOUNTING ENDS (713XX-E-49-50)			
		ANGULAR ± 2 °	CHECKED BY CYORK	DATE 2007/11/02	MOLEX INCORPORATED			
		DRAFT WHERE APPLICABLE MUST REMAIN WITHIN DIMENSIONS	APPROVED BY JMACNEIL	DATE 2007/11/02	MATERIAL NO. SEE CHART	DOCUMENT NO. SD-38719-009	SHEET NO. 1 OF 1	

THIS DRAWING CONTAINS INFORMATION THAT IS PROPRIETARY TO MOLEX INCORPORATED AND SHOULD NOT BE USED WITHOUT WRITTEN PERMISSION