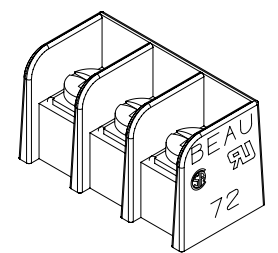
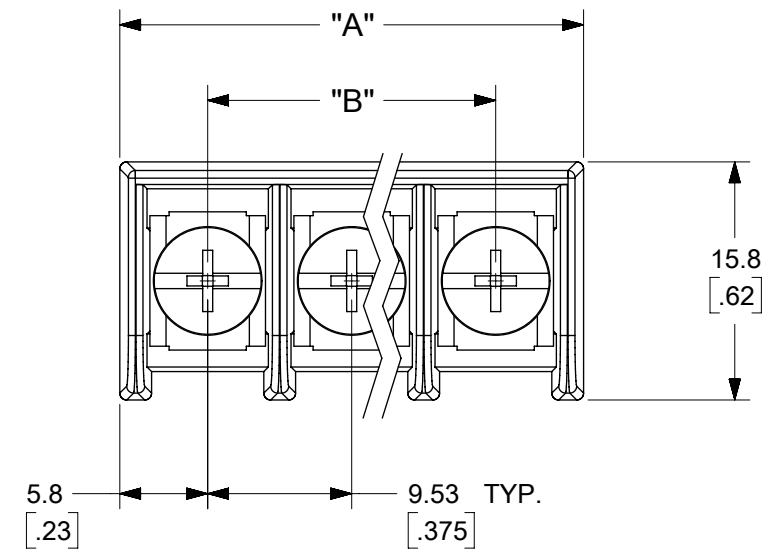


QTY. OF CIRCUITS "XX"	DIM "A"		DIM "B"		ASSEMBLY MATERIAL NO. (STANDARD)	ASSEMBLY MATERIAL NO. (-50 OPTION)
	MM	IN	MM	IN		
02	21.1	[.83]	9.53	[.375]	387244102	387244902
03	30.7	[1.21]	19.05	[.750]	387244103	387244903
04	40.2	[1.58]	28.58	[1.125]	387244104	387244904
05	49.7	[1.96]	38.10	[1.500]	387244105	387244905
06	59.2	[2.33]	47.63	[1.875]	387244106	387244906
07	68.8	[2.71]	57.15	[2.250]	387244107	387244907
08	78.3	[3.08]	66.68	[2.625]	387244108	387244908
09	87.8	[3.46]	76.20	[3.000]	387244109	387244909
10	97.3	[3.83]	85.73	[3.375]	387244110	387244910
11	106.9	[4.21]	95.25	[3.750]	387244111	387244911
12	116.4	[4.58]	104.78	[4.125]	387244112	387244912
13	125.9	[4.96]	114.30	[4.500]	387244113	387244913
14	135.4	[5.33]	123.83	[4.875]	387244114	387244914
15	145.0	[5.71]	133.35	[5.250]	387244115	387244915
16	154.5	[6.08]	142.88	[5.625]	387244116	387244916

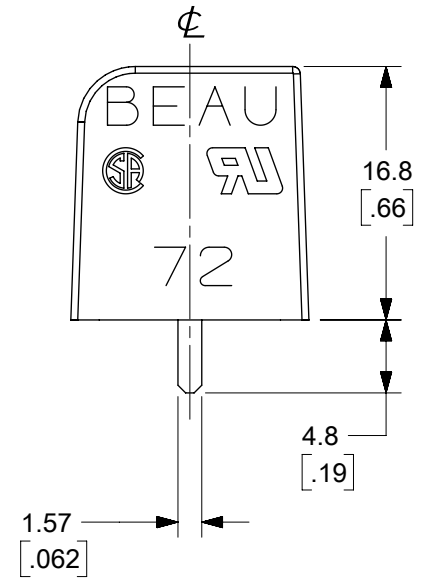
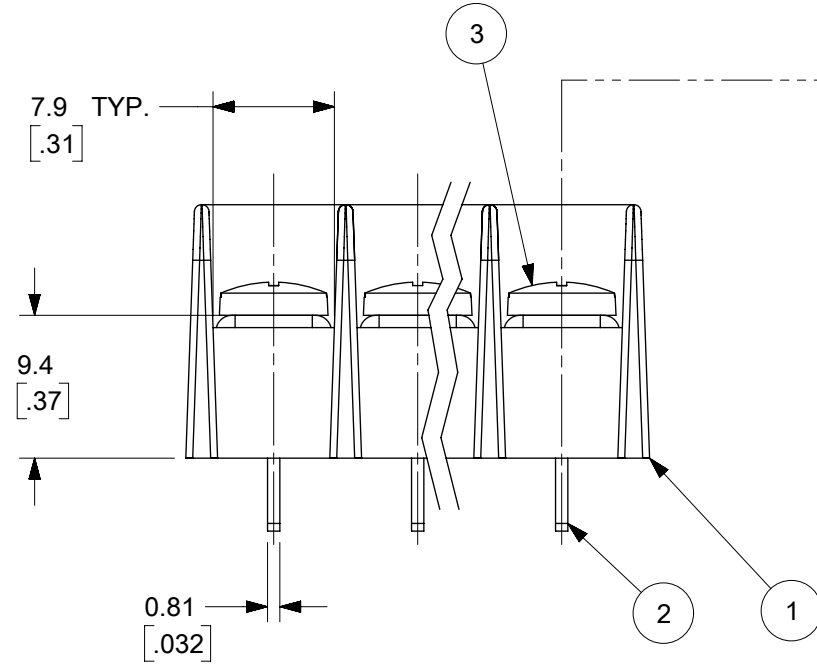
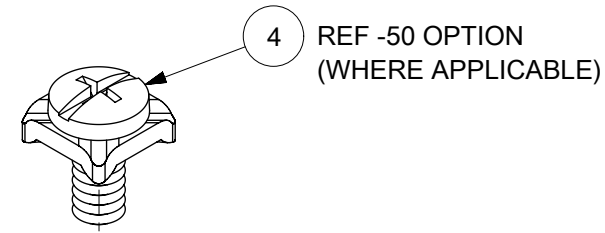
- NOTES:
1. MATERIAL: SEE TABLE
 2. FINISHES: SEE TABLE
 3. PRODUCT SPECIFICATION: NOT REQUIRED
 4. PACKAGING: NOT REQUIRED
 5. MATES WITH: NONE
 6. "XX" REFERS TO THE QUANTITY OF CIRCUITS.
 7. ALL COMPONENTS ARE ROHS COMPLIANT.

4	XX	SCREW W/WASHER, #6-32X.250, PANHD, PH-SL	STEEL	ZN, CLEAR CHROMATE
3	XX	SCREW, #6-32X.250, BHD, PHIL-SLOT	STEEL	ZN, CLEAR CHROMATE
2	XX	TERMINAL, PC	BRASS	TIN PLATE
1	1	INSULATOR, SR, CS, MOLDED, -C	PBT	BLACK
ITEM	QTY.	DESCRIPTION	MATERIAL	FINISH

DOCUMENT STATUS P1 RELEASE DATE 2018/10/22 22:01:56



ISOMETRIC VIEW
SCALE 1:1
3 CIRCUIT SHOWN



SYMBOLS	THIS DRAWING CONTAINS INFORMATION THAT IS PROPRIETARY TO MOLEX ELECTRONIC TECHNOLOGIES, LLC AND SHOULD NOT BE USED WITHOUT WRITTEN PERMISSION	
	DIMENSION UNITS	SCALE
▽ = 0	MM[INCH]	2:1
▽ = 0	GENERAL TOLERANCES (UNLESS SPECIFIED)	
▽ = 0	MM	INCH
▽ = 0	4 PLACES ±	± 0.0015
▽ = 0	3 PLACES ±	± 0.0038 ± 0.005
▽ = 0	2 PLACES ±	± 0.13 ± 0.01
▽ = 0	1 PLACE ±	± 0.3 ±
▽ = 0	0 PLACES ±	±
▽ = 0	ANGULAR TOL	± 2.0 °
▽ = 0	DRAFT WHERE APPLICABLE MUST REMAIN WITHIN DIMENSIONS	
▽ = 0	THIRD ANGLE PROJECTION	DRAWING
▽ = 0	38724	SERIES
CURRENT REV DESC: MIGRATION TO ECTR/NX AND P/N 387294904 CHANGED TO 387244904		EC NO: 605645
		DRWN: ABENJAMINLW 2018/10/05
		CHK'D: MBRZOZOWSKI 2018/10/09
		APPR: JFMURPHY 2018/10/22
INITIAL REVISION:		DOCUMENT NUMBER
DRWN: C. YORK 2006/03/24		SD-38724-002
APPR: RDEROSS 2006/03/24		DOC TYPE
		PSD
		DOC PART
		001
		REVISION
		A1
MATERIAL NUMBER		CUSTOMER
SEE CHART		GENERAL MARKET
SHEET NUMBER		1 OF 1