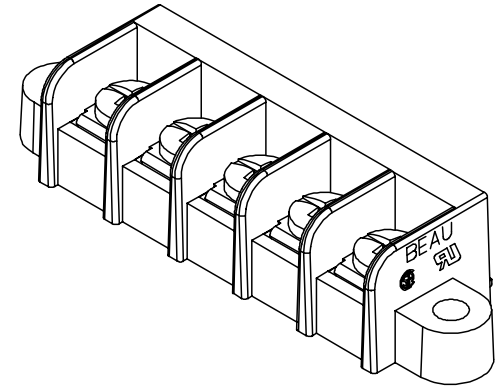
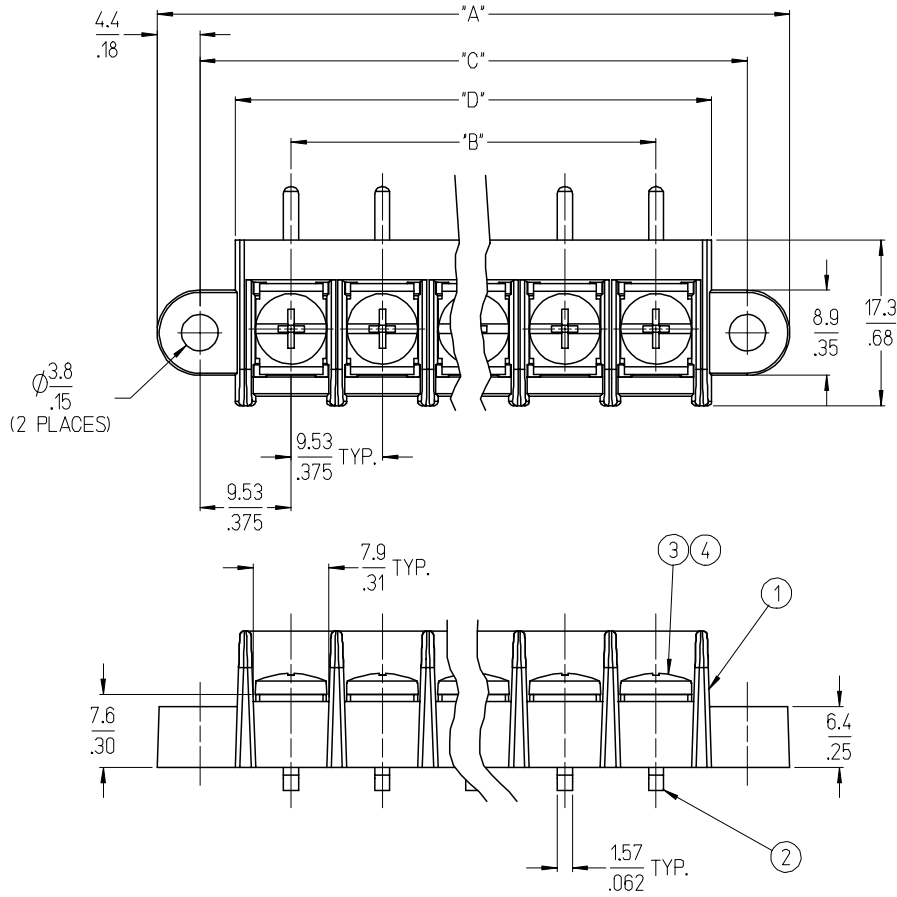
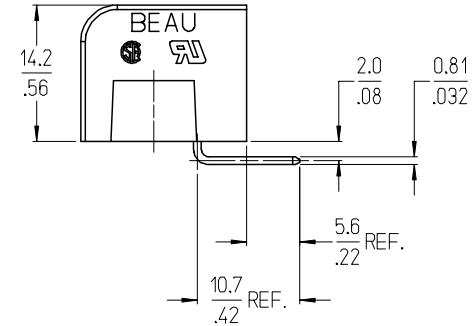


REF. -50 OPT. SCREW
(WHERE APPLICABLE)



5 CIRCUIT SHOWN



NOTES:

1. MATERIAL: SEE TABLE
2. 'XX' REFERS TO THE QUANTITY OF CIRCUITS.
3. TERMINAL TAILS ARE BENT AS SHOWN.
4. ALL COMPONENTS ARE ROHS COMPLIANT.

| ITEM | QTY. | DESCRIPTION | MATERIAL | FINISH |
|------|------|---|----------|--------------------|
| 5 | XX | SCREW&WASHER, #6-32X.25, PAN, PH/SL (-50 OPT) | STEEL | ZN, CLEAR CHROMATE |
| 4 | XX | SCREW, #6-32X.25, BHD, PH/SL (-49 OPT) | BRASS | NICKEL PLATE |
| 3 | XX | SCREW, #6-32X.25, BHD, PH/SL (STD.) | STEEL | ZN, CLEAR CHROMATE |
| 2 | XX | TERMINAL, WW | BRASS | TIN PLATE |
| 1 | 1 | INSULATOR, SR, CS, WITH MTG. | PBT | BLACK |

INITIAL RELEASE
EC NO: ETC2007-0155
DRAWN: CLYORK 2006/10/12
CHKD: JMACNEIL 2006/10/13
APPR: JMACNEIL 2006/10/16

QUALITY SYMBOLS

| GENERAL TOLERANCES (UNLESS SPECIFIED) | |
|---------------------------------------|--------------|
| mm | INCH |
| 4 PLACES | ± --- ± --- |
| 3 PLACES | ± --- ± .005 |
| 2 PLACES | ± 0.13 ± .01 |
| 1 PLACE | ± 0.3 ± --- |
| ANGULAR ± 2 ° | |

| DIMENSION STYLE | |
|-----------------|--------------|
| MM/IN | |
| DRAWN BY | DATE |
| C. YORK | 2006/10/09 |
| CHECKED BY | DATE |
| J. MACNEIL | 2006/10/09 |
| APPROVED BY | DATE |
| J. MACNEIL | 2006/10/09 |
| MATERIAL NO. | DOCUMENT NO. |
| SEE SHT. 2 | SD-38751-001 |

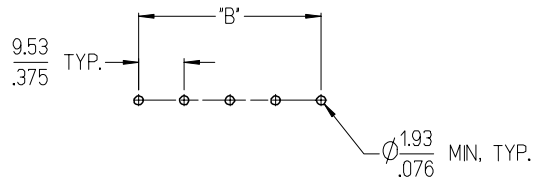
| SCALE | DESIGN UNITS | THIRD ANGLE PROJECTION |
|--|--------------|------------------------|
| 2:1 | INCH | |
| 9.53MM [.375] SR BTS CS ASSY, RA PC TERMINAL WITH MOUNTING ENDS | | |
| MOLEX INCORPORATED | | SHEET NO. |
| SEE SHT. 2 | | 1 OF 2 |

THIS DRAWING CONTAINS INFORMATION THAT IS PROPRIETARY TO MOLEX INCORPORATED AND SHOULD NOT BE USED WITHOUT WRITTEN PERMISSION

10 9 8 7 6 5 4 3 2 1

F
E
D
C
B
A

| NO. OF CIRCUITS | DIM. "A" | | DIM. "B" | | DIM. "C" | | DIM. "D" | | ASSEMBLY MATERIAL NO. (STANDARD) | ASSEMBLY MATERIAL NO. (-49 OPT) | ASSEMBLY MATERIAL NO. (-50 OPT) |
|-----------------|----------|-------|----------|-------|----------|--------|----------|------|----------------------------------|---------------------------------|---------------------------------|
| | mm | in | mm | in | mm | in | mm | in | | | |
| 02 | 37.5 | 1.48 | 9.53 | 0.375 | 28.58 | 1.125 | 20.9 | 0.82 | 387515102 | 387515402 | 387515702 |
| 03 | 47.0 | 1.85 | 19.05 | 0.750 | 38.10 | 1.500 | 30.4 | 1.20 | 387515103 | 387515403 | 387515703 |
| 04 | 56.5 | 2.23 | 28.58 | 1.125 | 47.63 | 1.875 | 39.9 | 1.57 | 387515104 | 387515404 | 387515704 |
| 05 | 66.0 | 2.60 | 38.10 | 1.500 | 57.15 | 2.250 | 49.5 | 1.95 | 387515105 | 387515405 | 387515705 |
| 06 | 75.6 | 2.98 | 47.63 | 1.875 | 66.68 | 2.625 | 59.0 | 2.32 | 387515106 | 387515406 | 387515706 |
| 07 | 85.1 | 3.35 | 57.15 | 2.250 | 76.20 | 3.000 | 68.5 | 2.70 | 387515107 | 387515407 | 387515707 |
| 08 | 94.6 | 3.73 | 66.68 | 2.625 | 85.73 | 3.375 | 78.0 | 3.07 | 387515108 | 387515408 | 387515708 |
| 09 | 104.1 | 4.10 | 76.20 | 3.000 | 95.25 | 3.750 | 87.6 | 3.45 | 387515109 | 387515409 | 387515709 |
| 10 | 113.7 | 4.48 | 85.73 | 3.375 | 104.78 | 4.125 | 97.1 | 3.82 | 387515110 | 387515410 | 387515710 |
| 11 | 123.2 | 4.85 | 95.25 | 3.750 | 114.30 | 4.500 | 106.6 | 4.20 | 387515111 | 387515411 | 387515711 |
| 12 | 132.7 | 5.23 | 104.78 | 4.125 | 123.83 | 4.875 | 116.1 | 4.57 | 387515112 | 387515412 | 387515712 |
| 13 | 142.2 | 5.60 | 114.30 | 4.500 | 133.35 | 5.250 | 125.7 | 4.95 | 387515113 | 387515413 | 387515713 |
| 14 | 151.8 | 5.98 | 123.83 | 4.875 | 142.88 | 5.625 | 135.2 | 5.32 | 387515114 | 387515414 | 387515714 |
| 15 | 161.3 | 6.35 | 133.35 | 5.250 | 152.40 | 6.000 | 144.7 | 5.70 | 387515115 | 387515415 | 387515715 |
| 16 | 170.8 | 6.73 | 142.88 | 5.625 | 161.93 | 6.375 | 154.2 | 6.07 | 387515116 | 387515416 | 387515716 |
| 17 | 180.3 | 7.10 | 152.40 | 6.000 | 171.45 | 6.750 | 163.8 | 6.45 | 387515117 | 387515417 | 387515717 |
| 18 | 189.9 | 7.48 | 161.93 | 6.375 | 180.98 | 7.125 | 173.3 | 6.82 | 387515118 | 387515418 | 387515718 |
| 19 | 199.4 | 7.85 | 171.45 | 6.750 | 190.50 | 7.500 | 182.8 | 7.20 | 387515119 | 387515419 | 387515719 |
| 20 | 208.9 | 8.23 | 180.98 | 7.125 | 200.03 | 7.875 | 192.3 | 7.57 | 387515120 | 387515420 | 387515720 |
| 21 | 218.4 | 8.60 | 190.50 | 7.500 | 209.55 | 8.250 | 201.9 | 7.95 | 387515121 | 387515421 | 387515721 |
| 22 | 228.0 | 8.98 | 200.03 | 7.875 | 219.08 | 8.625 | 211.4 | 8.32 | 387515122 | 387515422 | 387515722 |
| 23 | 237.5 | 9.35 | 209.55 | 8.250 | 228.60 | 9.000 | 220.9 | 8.70 | 387515123 | 387515423 | 387515723 |
| 24 | 247.0 | 9.73 | 219.08 | 8.625 | 238.13 | 9.375 | 230.4 | 9.07 | 387515124 | 387515424 | 387515724 |
| 25 | 256.5 | 10.10 | 228.60 | 9.000 | 247.65 | 9.750 | 240.0 | 9.45 | 387515125 | 387515425 | 387515725 |
| 26 | 266.1 | 10.48 | 238.13 | 9.375 | 257.18 | 10.125 | 249.5 | 9.82 | 387515126 | 387515426 | 387515726 |



RECOMMENDED PCB LAYOUT
SCALE 1:1

| | | | | | | | | |
|--|-------------------------------|--|--|--|--|---|--------------|------------------------|
| SEE SHEET 1 EC NO: ETC2007-0155 DRWN: C. YORK 2006/10/12 CHKD: J. MACNEIL 2006/10/13 APPR: J. MACNEIL 2006/10/16 | QUALITY SYMBOLS ▽=0 ▽=0 | GENERAL TOLERANCES (UNLESS SPECIFIED) | | DIMENSION STYLE | | SCALE | DESIGN UNITS | THIRD ANGLE PROJECTION |
| | | | | MM/IN | | 1:1 | INCH | |
| | | | | DRAWN BY DATE | | TITLE | | |
| | | | | CHECKED BY DATE | | 9.53MM [.375] SR BTS CS ASSY, RA PC TERMINAL WITH MOUNTING ENDS | | |
| | | APPROVED BY DATE | | MOLEX MOLEX INCORPORATED | | | | |
| | | MATERIAL NO. | | DOCUMENT NO. | | | | SHEET NO. |
| | | SEE CHART | | SD-38751-001 | | | | 2 OF 2 |
| | | DRAFT WHERE APPLICABLE MUST REMAIN WITHIN DIMENSIONS | | THIS DRAWING CONTAINS INFORMATION THAT IS PROPRIETARY TO MOLEX INCORPORATED AND SHOULD NOT BE USED WITHOUT WRITTEN PERMISSION | | | | |

9 8 7 6 5 4 3 2 1