

MATERIAL NUMBER LEGEND

389 XX X XX

INSULATOR STYLE

69 - NO MOUNTING ENDS

OF CIRCUITS

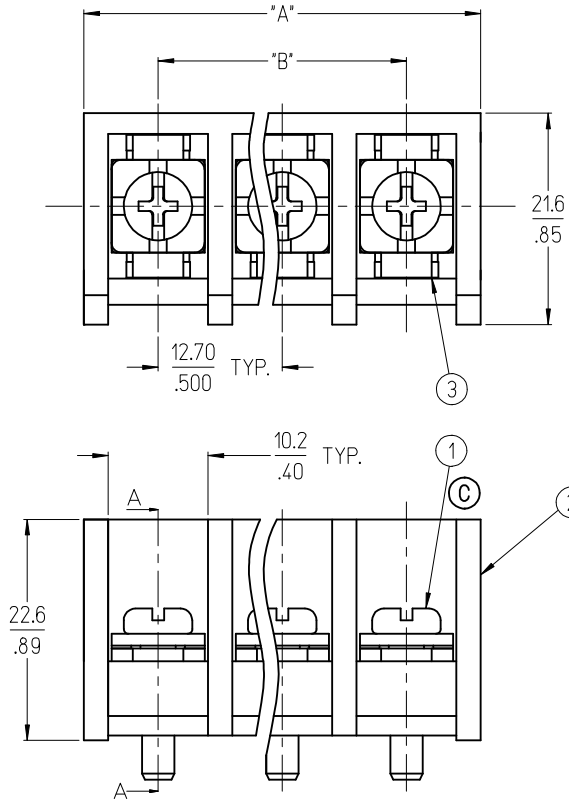
(02 - 15)

TERMINAL STYLE

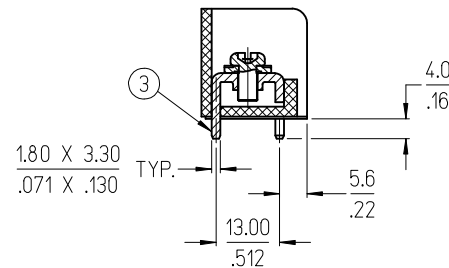
0 - PC TAILS

SCREW STYLE

0 - M4 WITH SQUARE WASHER, STEEL, ZINC PLATED



TERM. STYLE 0 - PC TAILS



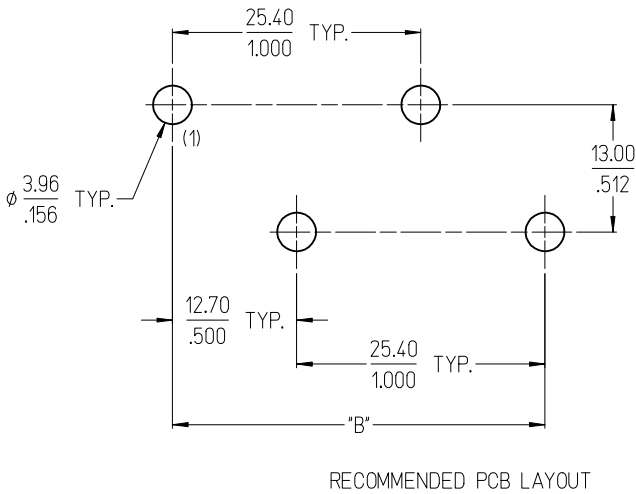
NOTES:

1. MATERIAL:
 - (1). SCREW: SEE LEGEND.
 - (2). INSULATOR: PBT, UL94V-0
 - (3). TERMINAL: BRASS, TIN PLATED
2. WIRE SIZE: 20-8 AWG.
3. RATING: 600V, 50A
4. MAX. TORQUE: 16 IN-LB.
5. OPERATING TEMPERATURE: -40°C TO +120°C
6. NUMBER OF CIRCUIT POSITIONS AVAILABLE = 2 THROUGH 15.
7. ASSEMBLY IS ROHS COMPLIANT.

CHANGE SCREW WASHER EC NO: WNAZ009-0750 DRW:ACL YORK 2009/05/26 CHKD:RDEROSS 2009/06/03 APPR:RDEROSS 2009/06/03	QUALITY SYMBOLS ▽=0 ▽=0	GENERAL TOLERANCES (UNLESS SPECIFIED)		DIMENSION STYLE MM/IN		SCALE 2:1	DESIGN UNITS INCH	THIRD ANGLE PROJECTION			
		4 PLACES ± --- ± ---	3 PLACES ± --- ± .005	DRAWN BY C. YORK	DATE 2006/11/20	TITLE 12.70MM [.500] SINGLE ROW TRI-BARRIER TERMINAL STRIP					
		2 PLACES ± 0.13 ± .01	1 PLACE ± 0.3 ± ---	CHECKED BY J. MACNEIL	DATE 2006/11/20						
		ANGULAR ± 2 °		APPROVED BY J. MACNEIL		DATE 2006/11/20	MOLEX INCORPORATED				
DRAFT WHERE APPLICABLE MUST REMAIN WITHIN DIMENSIONS		MATERIAL NO. SEE LEGEND		DOCUMENT NO. SD-38969-001	SHEET NO. 1 OF 2						

THIS DRAWING CONTAINS INFORMATION THAT IS PROPRIETARY TO MOLEX INCORPORATED AND SHOULD NOT BE USED WITHOUT WRITTEN PERMISSION

QUANTITY OF CIRCUITS	DIM. "A"		DIM. "B"	
	mm	in	mm	in
02	27.9	1.10	12.70	.500
03	40.6	1.60	25.40	1.000
04	53.3	2.10	38.10	1.500
05	66.0	2.60	50.80	2.000
06	78.7	3.10	63.50	2.500
07	91.4	3.60	76.20	3.000
08	104.1	4.10	88.90	3.500
09	116.8	4.60	101.60	4.000
10	129.5	5.10	114.30	4.500
11	142.2	5.60	127.00	5.000
12	154.9	6.10	139.70	5.500
13	167.6	6.60	152.40	6.000
14	180.3	7.10	165.10	6.500
15	193.0	7.60	177.80	7.000



SEE SHEET 1 EC NO: WNA2009-0750 DRAWN BY: C. YORK 2009/05/26 CHKD: RDEROSS 2009/06/03 APPR: RDEROSS 2009/06/03	QUALITY SYMBOLS ▽=0 ▽=0	GENERAL TOLERANCES (UNLESS SPECIFIED) <table border="1"> <thead> <tr> <th></th> <th>mm</th> <th>INCH</th> </tr> </thead> <tbody> <tr><td>4 PLACES</td><td>± ---</td><td>± ---</td></tr> <tr><td>3 PLACES</td><td>± ---</td><td>± .005</td></tr> <tr><td>2 PLACES</td><td>± 0.13</td><td>± .01</td></tr> <tr><td>1 PLACE</td><td>± 0.3</td><td>± ---</td></tr> </tbody> </table> ANGULAR ± 2 °		mm	INCH	4 PLACES	± ---	± ---	3 PLACES	± ---	± .005	2 PLACES	± 0.13	± .01	1 PLACE	± 0.3	± ---	DIMENSION STYLE MM/IN DRAWN BY: C. YORK DATE: 2006/11/20 CHECKED BY: J. MACNEIL DATE: 2006/11/20 APPROVED BY: J. MACNEIL DATE: 2006/11/20	SCALE: 2:1 DESIGN UNITS: INCH THIRD ANGLE PROJECTION	TITLE: 12.70MM [.500] SINGLE ROW TRI-BARRIER TERMINAL STRIP
		mm	INCH																	
	4 PLACES	± ---	± ---																	
	3 PLACES	± ---	± .005																	
2 PLACES	± 0.13	± .01																		
1 PLACE	± 0.3	± ---																		
DRAFT WHERE APPLICABLE MUST REMAIN WITHIN DIMENSIONS	MATERIAL NO.	MOLEX INCORPORATED	DOCUMENT NO. SD-38969-001	SHEET NO. 2 OF 2																
SEE LEGEND	THIS DRAWING CONTAINS INFORMATION THAT IS PROPRIETARY TO MOLEX INCORPORATED AND SHOULD NOT BE USED WITHOUT WRITTEN PERMISSION																			
SIZE B																				