

(E)

NOTES:

1. MATERIAL:
  - (A). SCREW: SEE LEGEND
  - (B). INSULATOR: PBT, UL94V-0
  - (C). TERMINAL: BRASS, TIN PLATED
2. NUMBER OF CIRCUIT POSITIONS AVAILABLE: 2 THROUGH 15
3. ELECTRICAL RATINGS:
  - (A). MAXIMUM VOLTAGE: 600V
  - (B). MAXIMUM CURRENT: 50A
  - (C). INSULATION RESISTANCE: 500MΩ PER MINUTE
  - (D). DIELECTRIC WITHSTAND VOLTAGE: 2200V AC
4. WIRE RANGE: 8 TO 20 AWG (SOLID OR STRANDED COPPER)
5. RECOMMENDED WIRE STRIP LENGTH: 0.32 IN. (8mm)
6. SCREW TORQUE: 16 LBF. IN. (1.8Nm)
7. OPERATING TEMPERATURE: -40°C TO +120°C

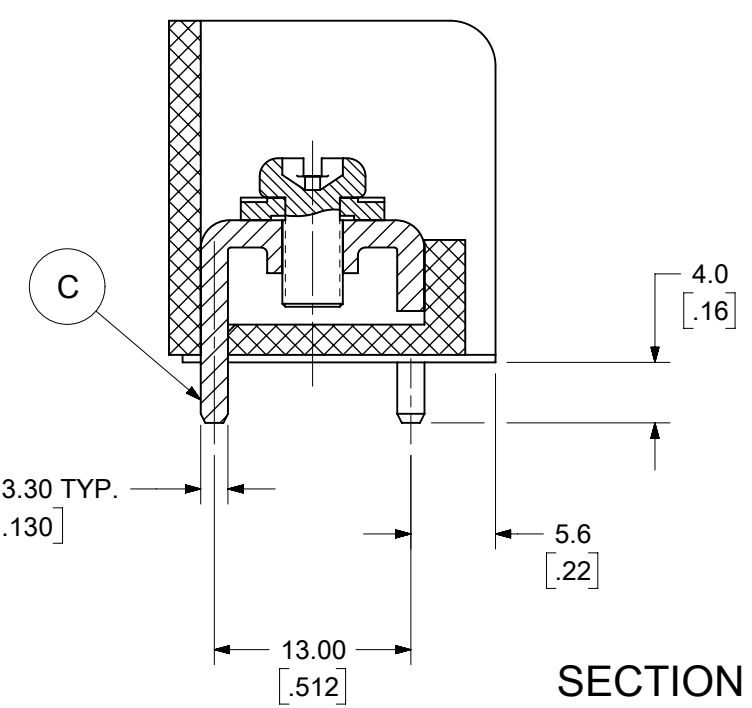
**MATERIAL NUMBER LEGEND**

389 XX X X XX

INSULATOR STYLE ——— NO. OF CIRCUITS  
 69- NO MOUNTING ENDS (02 - 15)

TERMINAL STYLE ——— SCREW STYLE  
 0 - PC TAILS 0 - M4 WITH SQUARE WASHER, STEEL, NICKEL PLATED

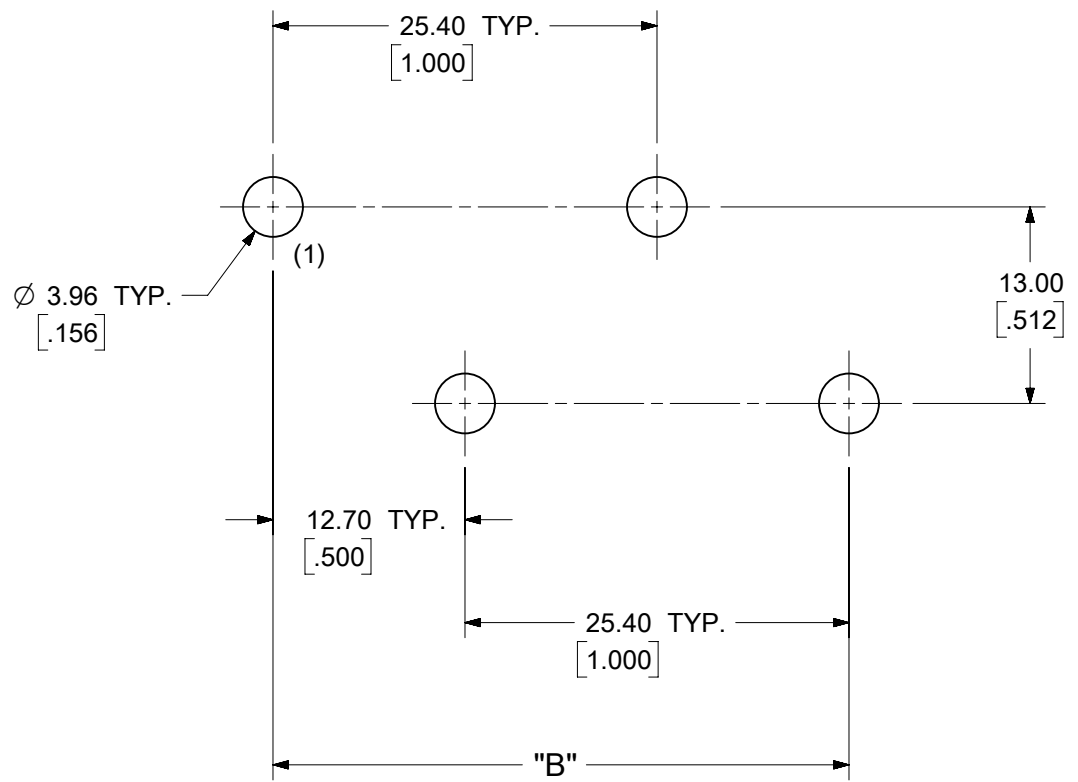
TERM. STYLE 0 - PC TAILS



SECTION A-A

THIS DRAWING CONTAINS INFORMATION THAT IS PROPRIETARY TO MOLEX ELECTRONIC TECHNOLOGIES, LLC AND SHOULD NOT BE USED WITHOUT WRITTEN PERMISSION											
SYMBOLS		DIMENSION UNITS		SCALE		CURRENT REV DESC: UPDATED NOTES					
▽ = 0 ▽ = 0 ▽ = 0 ▽ = 0 ▽ = 0 ▽ = 0 ▽ = 0 ▽ = 0 ▽ = 0 ▽ = 0		MM/INCH		2:1		SECTION					
GENERAL TOLERANCES (UNLESS SPECIFIED)						EC NO: 632901		DRWN: ABENJAMINLW 2020/01/14		DOCUMENT NUMBER	
4 PLACES ± .01						DRWN: DACHAMMER 2020/02/25		CHK'D: JFMURPHY 2020/03/09		DOC TYPE   DOC PART   REVISION	
3 PLACES ± .015						APPR: JFMURPHY 2020/03/09		INITIAL REVISION:		SD-38969-001	
2 PLACES ± 0.13 ± .01						DRWN: CLYORK 2006/11/22		APPR: JMACNEIL 2006/12/01		PSD 001 E	
1 PLACE ± 0.3 ± .01						DRAFT WHERE APPLICABLE MUST REMAIN WITHIN DIMENSIONS		THIRD ANGLE PROJECTION		MATERIAL NUMBER	
0 PLACES ± .015						DRAWING		SERIES		CUSTOMER	
ANGULAR TOL ± 2°						B-SIZE		38969		GENERAL MARKET	
SHEET NUMBER						1 OF 2					

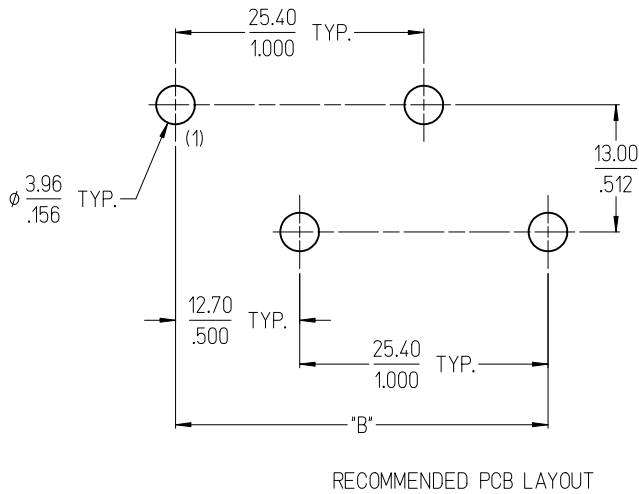
QUANTITY OF CIRCUITS	DIM. "A"		DIM. "B"	
	mm	IN	mm	IN
02	27.9	1.10	12.70	.500
03	40.6	1.60	25.40	1.000
04	53.3	2.10	38.10	1.500
05	66.0	2.60	50.80	2.000
06	78.7	3.10	63.50	2.500
07	91.4	3.60	76.20	3.000
08	104.1	4.10	88.90	3.500
09	116.8	4.60	101.60	4.000
10	129.5	5.10	114.30	4.500
11	142.2	5.60	127.00	5.000
12	154.9	6.10	139.70	5.500
13	167.6	6.60	152.40	6.000
14	180.3	7.10	165.10	6.500
15	193.0	7.60	177.80	7.000



RECOMMENDED PCB LAYOUT

SYMBOLS										THIS DRAWING CONTAINS INFORMATION THAT IS PROPRIETARY TO MOLEX ELECTRONIC TECHNOLOGIES, LLC AND SHOULD NOT BE USED WITHOUT WRITTEN PERMISSION									
DIMENSION UNITS					SCALE					CURRENT REV DESC: UPDATED NOTES SECTION									
MM/INCH					2:1														
GENERAL TOLERANCES (UNLESS SPECIFIED)																			
4 PLACES ± --- ± ---					MM					INCH					EC NO: 632901				
3 PLACES ± --- ± .005															DRWN: ABENJAMINLW 2020/01/14				
2 PLACES ± 0.13 ± .01															CHK'D: DACHAMMER 2020/02/25				
1 PLACE ± 0.3 ± ---															APPR: JFMURPHY 2020/03/09				
0 PLACES ± --- ± ---															INITIAL REVISION:				
ANGULAR TOL ± 2°															DRWN: CLYORK 2006/11/22				
DRAFT WHERE APPLICABLE MUST REMAIN WITHIN DIMENSIONS					THIRD ANGLE PROJECTION					DRAWING					SERIES				
					B-SIZE					38969					MATERIAL NUMBER				
															SD-38969-001				
															CUSTOMER				
															GENERAL MARKET				
															SHEET NUMBER				
															2 OF 2				

QUANTITY OF CIRCUITS	DIM. "A"		DIM. "B"	
	mm	in	mm	in
02	27.9	1.10	12.70	.500
03	40.6	1.60	25.40	1.000
04	53.3	2.10	38.10	1.500
05	66.0	2.60	50.80	2.000
06	78.7	3.10	63.50	2.500
07	91.4	3.60	76.20	3.000
08	104.1	4.10	88.90	3.500
09	116.8	4.60	101.60	4.000
10	129.5	5.10	114.30	4.500
11	142.2	5.60	127.00	5.000
12	154.9	6.10	139.70	5.500
13	167.6	6.60	152.40	6.000
14	180.3	7.10	165.10	6.500
15	193.0	7.60	177.80	7.000



SEE SHEET 1 EC NO: IPG2012-0065 DRAWN: MBRZOWSKI 2011/12/02 CHKD: RSTONE 2011/12/02 APPR: DJITUS 2011/12/02	QUALITY SYMBOLS ▽=0 ▽=0	GENERAL TOLERANCES (UNLESS SPECIFIED) mm INCH 4 PLACES ± --- ± --- 3 PLACES ± --- ± .005 2 PLACES ± 0.13 ± .01 1 PLACE ± 0.3 ± --- ANGULAR ± 2 °	DIMENSION STYLE MM/IN DRAWN BY DATE C. YORK 2006/11/20 CHECKED BY DATE J. MACNEIL 2006/11/20 APPROVED BY DATE J. MACNEIL 2006/11/20	SCALE DESIGN UNITS INCH THIRD ANGLE PROJECTION	TITLE 12.70MM [.500] SINGLE ROW TRI-BARRIER TERMINAL STRIP	
	DRAFT WHERE APPLICABLE MUST REMAIN WITHIN DIMENSIONS		MATERIAL NO. SEE LEGEND	MOLEX INCORPORATED	DOCUMENT NO. SD-38969-001	SHEET NO. 2 OF 2
	THIS DRAWING CONTAINS INFORMATION THAT IS PROPRIETARY TO MOLEX INCORPORATED AND SHOULD NOT BE USED WITHOUT WRITTEN PERMISSION					
	SIZE B					