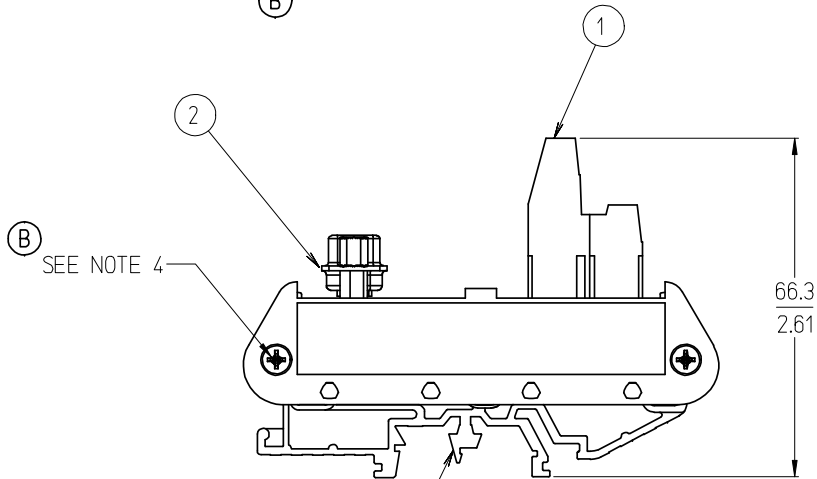
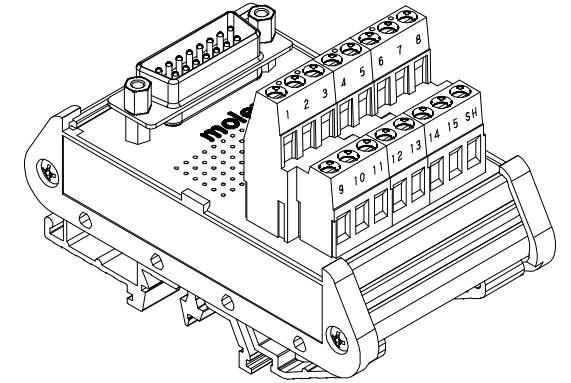


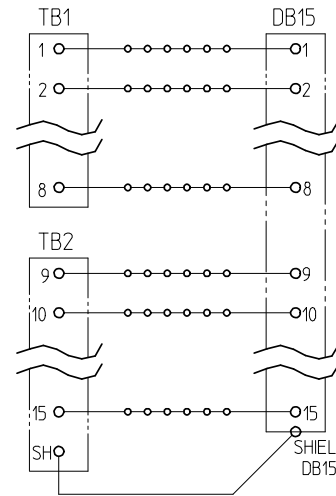
(B) SEE NOTE 5



(B) SEE NOTE 4



15 POSITION SHOWN



TYPICAL SCHEMATIC
(15 POSITION SHOWN)

NO. OF CIRCUITS	DIM. "A"	MATERIAL NUMBER
09	39.4 [1.55]	39170-2009
15	54.4 [2.14]	39170-2015
25	79.8 [3.14]	39170-2025
37	106.4 [4.19]	39170-2037

NOTES:

- 1. MATERIAL: SEE TABLE
- 2. FINISHES: SEE TABLE
- 3. MATES WITH: FEMALE D-SUB
- (B) 4. END CAP MOUNT SCREW TORQUE: 0.5 N-m (4.4 lbf-in) MINIMUM
0.6 N-m (5.3 lbf-in) MAXIMUM
- (B) 5. TERMINAL BLOCK SCREW TORQUE: 0.8 N-m (7.1 lbf-in)
- 6. 39170-2015 IS ROHS COMPLIANT, ALL OTHERS NOT REQUIRED.

ITEM	QTY.	DESCRIPTION	MATERIAL	FINISH
3	2	DIN RAIL ADAPTOR UNIT	THERMOPLASTIC	BLACK
2	1	MALE D-SUB TO 5.08 FIXED, PC BOARD ASSY.	-	-
1	1	5.08 FIXED DUAL LEVEL BTS	SEE SD-39880-006	BLACK

ADD SCREW TORQUE
EC NO: ETC2007-0331
DRWN: CLYORK
CHKD: JMACNEIL
APPR: JMACNEIL
DESCRIPTION
REV

QUALITY SYMBOLS
▽=0
∇=0

GENERAL TOLERANCES (UNLESS SPECIFIED)

	mm	INCH
4 PLACES	± ---	± ---
3 PLACES	± ---	± .005
2 PLACES	± 0.13	± .01
1 PLACE	± 0.3	± ---

ANGULAR ± 2 °

DRAFT WHERE APPLICABLE
MUST REMAIN
WITHIN DIMENSIONS

DIMENSION STYLE
MM/IN

DRAWN BY: C. YORK
DATE: 2004/11/09

CHECKED BY: R. STONE
DATE: 2004/11/16

APPROVED BY: G. ROBERTSON
DATE: 2004/11/16

SCALE: 1:1
DESIGN UNITS: INCH
THIRD ANGLE PROJECTION

TITLE: DIN RAIL INTERFACE MODULE, MALE D-SUB TO 5.08MM DUAL LEV. FIXED

MATERIAL NO.: SEE CHART
DOCUMENT NO.: SD-39170-004
SHEET NO.: 1 OF 1

THIS DRAWING CONTAINS INFORMATION THAT IS PROPRIETARY TO MOLEX INCORPORATED AND SHOULD NOT BE USED WITHOUT WRITTEN PERMISSION