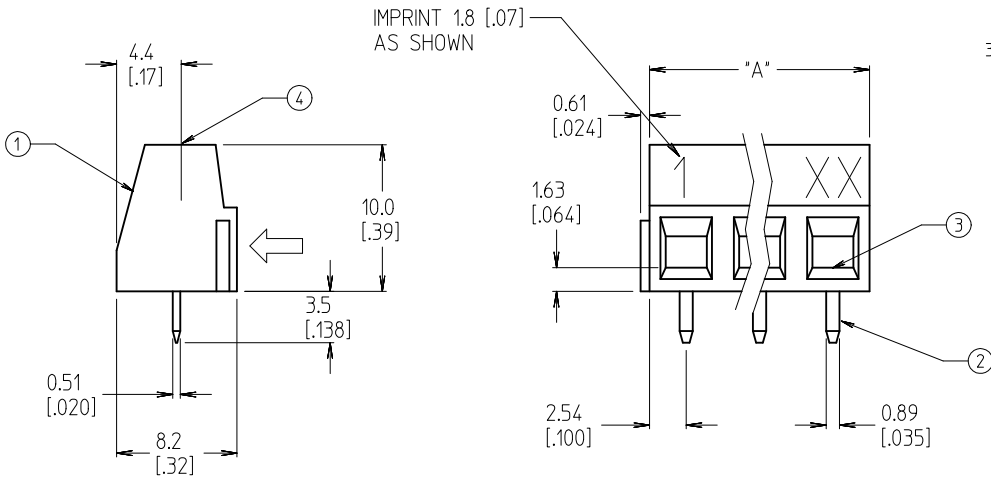


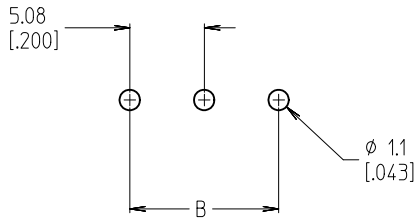
3 CIRCUIT SHOWN



IMPRINT 1.8 [.07]
AS SHOWN

NOTES:

1. MATERIAL: SEE TABLE
2. FINISHES: SEE TABLE
3. ASSEMBLY IS ROHS COMPLIANT BY EXEMPTION. COMPONENTS MARKED WITH AN ASTERISK (*) ARE ROHS COMPLIANT BY EXEMPTION. ALL OTHERS ARE ROHS COMPLIANT.
4. INCH DIMS ARE SHOWN IN BRACKETS [XXX].



MATERIAL NO. 10A, GREEN	MATERIAL NO. 10A, BLACK	MATERIAL NO. (GREEN)	MATERIAL NO. (BLACK)	NO. OF CIRCUITS "XX"	DIM. "A"	DIM. "B"
	398820302	398804302	398800302	02	10.2 [40]	5.08 [200]
	398820303	398804303	398800303	03	15.2 [60]	10.16 [400]
	398820304	398804304	398800304	04	20.3 [80]	15.24 [600]
		398804305	398800305	05	25.4 [100]	20.32 [800]
		398804306	398800306	06	30.5 [120]	25.40 [1000]
		398804307	398800307	07	35.6 [140]	30.48 [1200]
398890028		398804308	398800308	08	40.6 [160]	35.56 [1400]
		398804309	398800309	09	45.7 [180]	40.64 [1600]
		398804310	398800310	10	50.8 [200]	45.72 [1800]
		398804311	398800311	11	55.9 [220]	50.80 [2000]
		398804312	398800312	12	61.0 [240]	55.88 [2200]
		398804313	398800313	13	66.0 [260]	60.96 [2400]
		398804314	398800314	14	71.1 [280]	66.04 [2600]
		398804315	398800315	15	76.2 [300]	71.12 [2800]
		398804316	398800316	16	81.3 [320]	76.20 [3000]
		398804317	398800317	17	86.4 [340]	81.28 [3200]
		398804318	398800318	18	91.4 [360]	86.36 [3400]
		398804319	398800319	19	96.5 [380]	91.44 [3600]
		398804320	398800320	20	101.6 [400]	96.52 [3800]
		398804321	398800321	21	106.7 [420]	101.60 [4000]
		398804322	398800322	22	111.8 [440]	106.68 [4200]
		398804323	398800323	23	116.8 [460]	111.76 [4400]
		398804324	398800324	24	121.9 [480]	116.84 [4600]
		398804325	398800325	25	127.0 [500]	121.92 [4800]

REVISIONS					QUALITY SYMBOLS		GENERAL TOLERANCES (UNLESS SPECIFIED)		DIMENSION STYLE		SCALE		DESIGN UNITS		THIRD ANGLE PROJECTION	
REV	DESCRIPTION	DATE	BY	APPR	▽=0	▽=0	mm	INCH	MM/IN	3:1	INCH					
4	XX	SCREW, M3	COPPER ALLOY	NICKEL PLATED			4 PLACES	± ---	± ---	DRAWN BY	DATE	TITLE 5.08/.200 EUROSTYLE LOW, SINGLE ROW FIXED BLOCK				
3	XX	CAGE CLAMP (*)	COPPER ALLOY	NICKEL PLATED			3 PLACES	± ---	± .005	CLYORK	2010/01/26					
2	XX	TERMINAL, PC	COPPER ALLOY	TIN PLATED (E)			2 PLACES	± 0.13	± .010	CHECKED BY	DATE	MOLEX INCORPORATED				
1	1	INSULATOR	POLYAMIDE	BLACK			1 PLACE	± 0.3	± ---	DTITUS	2010/01/26					
EC NO: WNA2010-0469 DRAWN BY: CLYORK 2010/01/26 CHKD: DTITUS 2010/01/26 APPR: DTITUS 2010/02/02					DRAFT WHERE APPLICABLE MUST REMAIN WITHIN DIMENSIONS		ANGULAR ± 2 °		APPROVED BY DTITUS 2010/02/01		MATERIAL NO. SEE CHART		DOCUMENT NO. SD-39880-003		SHEET NO. 1 OF 1	