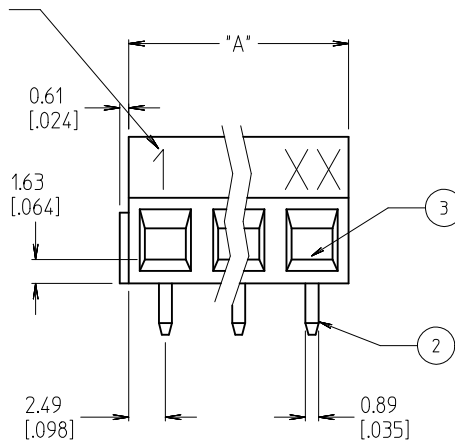
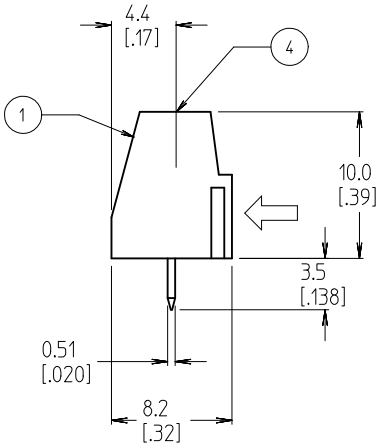


3 CIRCUIT SHOWN

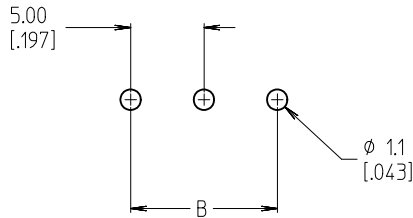
IMPRINT 1.8 [.07]  
AS SHOWN



MATERIAL NO. 10A, BLACK	MATERIAL NO. (GREEN)	MATERIAL NO. (BLACK)	NO. OF CIRCUITS "XX"	DIM. "A"	DIM. "B"
398990024	398904302	398900302	02	10.0 [.39]	5.00 [.197]
398990026	398904303	398900303	03	15.0 [.59]	10.00 [.394]
398990027	398904304	398900304	04	20.0 [.79]	15.00 [.591]
398990028	398904305	398900305	05	25.0 [.98]	20.00 [.787]
	398904306	398900306	06	30.0 [1.18]	25.00 [.984]
	398904307	398900307	07	35.0 [1.38]	30.00 [1.181]
	398904308	398900308	08	40.0 [1.57]	35.00 [1.378]
	398904309	398900309	09	45.0 [1.77]	40.00 [1.575]
	398904310	398900310	10	50.0 [1.97]	45.00 [1.772]
	398904311	398900311	11	55.0 [2.17]	50.00 [1.969]
	398904312	398900312	12	60.0 [2.36]	55.00 [2.165]
	398904313	398900313	13	65.0 [2.56]	60.00 [2.362]
	398904314	398900314	14	70.0 [2.76]	65.00 [2.559]
	398904315	398900315	15	75.0 [2.95]	70.00 [2.756]
	398904316	398900316	16	80.0 [3.15]	75.00 [2.953]
	398904317	398900317	17	85.0 [3.35]	80.00 [3.150]
	398904318	398900318	18	90.0 [3.54]	85.00 [3.346]
	398904319	398900319	19	95.0 [3.74]	90.00 [3.543]
	398904320	398900320	20	100.0 [3.94]	95.00 [3.740]
	398904321	398900321	21	105.0 [4.13]	100.00 [3.937]
	398904322	398900322	22	110.0 [4.33]	105.00 [4.134]
	398904323	398900323	23	115.0 [4.53]	110.00 [4.331]
	398904324	398900324	24	120.0 [4.72]	115.00 [4.528]
	398904325	398900325	25	125.0 [4.92]	120.00 [4.724]

NOTES:

1. MATERIAL: SEE TABLE
2. FINISHES: SEE TABLE
3. ASSEMBLY IS ROHS COMPLIANT BY EXEMPTION. COMPONENTS MARKED WITH AN ASTERISK (\*) ARE ROHS COMPLIANT BY EXEMPTION. ALL OTHERS ARE ROHS COMPLIANT.
4. INCH DIMS ARE SHOWN IN BRACKETS [XXX].



REVISED & REDRAWN  
EC NO: WNA2010-0469  
DRAWN: CLYORK 2010/01/26  
CHKD: DTITUS 2010/01/26  
APPR: DTITUS 2010/02/02

QUALITY SYMBOLS  
▽=0  
▽=0

GENERAL TOLERANCES (UNLESS SPECIFIED)  
mm INCH  
4 PLACES ± --- ± ---  
3 PLACES ± --- ± .005  
2 PLACES ± 0.13 ± .010  
1 PLACE ± 0.3 ± ---  
ANGULAR ± 2 °  
DRAFT WHERE APPLICABLE  
MUST REMAIN WITHIN DIMENSIONS

DIMENSION STYLE  
MM/IN  
DRAWN BY DATE  
CLYORK 2010/01/26  
CHECKED BY DATE  
DTITUS 2010/01/26  
APPROVED BY DATE  
DTITUS 2010/02/01

SCALE 3:1  
DESIGN UNITS INCH  
THIRD ANGLE PROJECTION  
5.00/.197 EUROSTYLE LOW, SINGLE ROW FIXED BLOCK  
MATERIAL NO. SEE CHART  
DOCUMENT NO. SD-39890-003  
SHEET NO. 1 OF 1  
THIS DRAWING CONTAINS INFORMATION THAT IS PROPRIETARY TO MOLEX INCORPORATED AND SHOULD NOT BE USED WITHOUT WRITTEN PERMISSION

ITEM	QTY.	DESCRIPTION	MATERIAL	FINISH
4	XX	SCREW, M3	COPPER ALLOY	NICKEL PLATED
3	XX	CAGE CLAMP (*)	COPPER ALLOY	NICKEL PLATED
2	XX	TERMINAL, PC	COPPER ALLOY	TIN PLATED (E)
1	1	INSULATOR	POLYAMIDE	BLACK