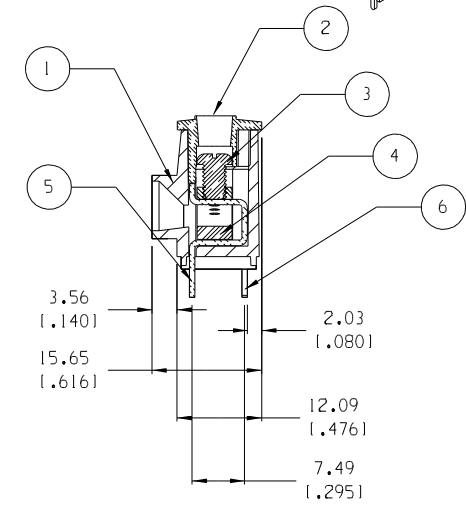
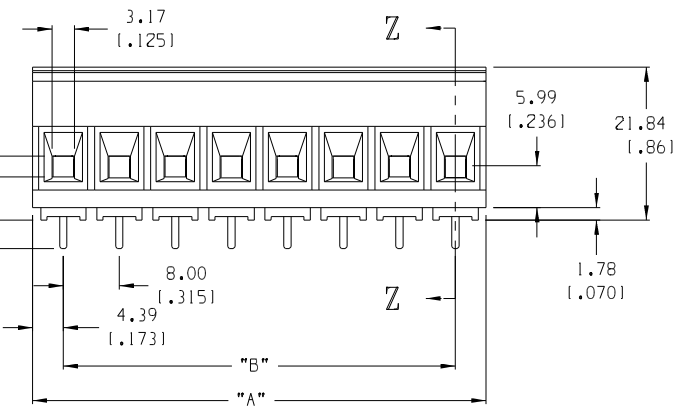
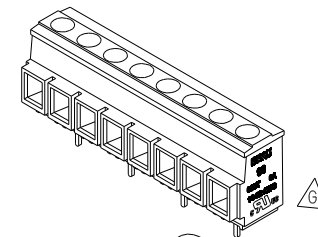
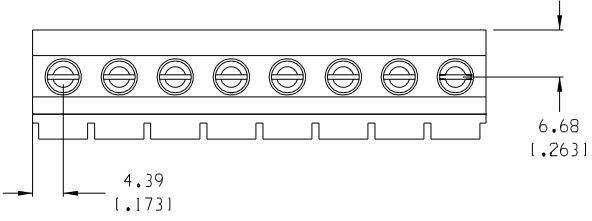
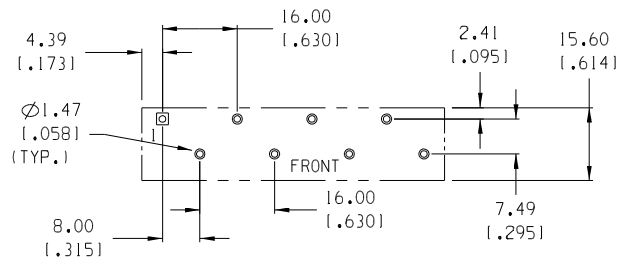


MATERIAL NO.	NUMBER OF CIRCUITS "XX"	DIM. "A"	DIM. "B"
39960-0103	03	24.9 [.981]	16.00 [.630]
39960-0104	04	32.9 [1.30]	24.00 [.945]
39960-0105	05	40.9 [1.61]	32.00 [1.260]
39960-0106	06	48.9 [1.93]	40.00 [1.575]
39960-0107	07	56.9 [2.24]	48.00 [1.890]
39960-0108	08	64.9 [2.56]	56.00 [2.205]
39960-0109	09	72.9 [2.87]	64.00 [2.520]
39960-0110	10	80.9 [3.19]	72.00 [2.835]
39960-0111	11	88.9 [3.50]	80.00 [3.150]
39960-0112	12	96.9 [3.82]	88.00 [3.465]



SECTION Z-Z



PTH PATTERN

NOTES:

1. MATERIAL: SEE TABLE
2. FINISHES: SEE TABLE
3. PRODUCT SPECIFICATION: NOT REQUIRED
4. PACKAGING: NOT REQUIRED
5. MATES WITH: NONE
6. ALL CREEP DISTANCES FOR UL 1059, CLASS C, 600V GENERAL INDUSTRIAL.
7. FOR USE WITH #22-#10 AWG SOLID AND STRANDED WIRES.
8. TORQUE RATING IS 7 IN.-LB.
9. "XX" REFERS TO THE NUMBER OF CIRCUITS.

ITEM	QTY.	DESCRIPTION	MATERIAL	FINISH
6	XX/2	REAR TERMINAL	BRASS	TIN
5	XX/2	FRONT TERMINAL	BRASS	TIN
4	XX	CAGE	BRASS	NICKEL
3	XX	SCREW, M3.5 X 0.6	BRONZE	TIN
2	1	COVER	THERMOPLASTIC	BLACK
1	1	BODY	THERMOPLASTIC	BLACK

EC NO. ECN 3920
 DRWN: JF 12-20-04
 CH'KT
 APPR:
 REV

QUALITY SYMBOLS
 MAJOR
 CRITICAL

GENERAL TOLERANCES: (UNLESS SPECIFIED)	
mm	INCH
4 PLACES	±.0015
3 PLACES	±.038 ±.005
2 PLACES	±.13 ±.01
1 PLACE	±.3
ANGULAR: ±2°	
DRAFT WHERE APPLICABLE MUST REMAIN WITHIN DIMENSIONS	

SCALE	DESIGN UNITS
3:2	<input type="checkbox"/> mm <input checked="" type="checkbox"/> INCH
DRAWN BY & DATE GHR 3-19-02	
CHECKED BY & DATE A. PLAZA 6-18-02	
APPROVED BY & DATE L. ROTHHAUS 6-18-02	
CAD FILENAME 9605-XX	

DIMENSIONS:		SHT	REV
<input checked="" type="checkbox"/> mm	<input type="checkbox"/> INCH		
<input type="checkbox"/> mm	<input type="checkbox"/> INCH		
<input type="checkbox"/> mm ONLY			
THIRD ANGLE PROJECTION			
TITLE: SR BTS, PKKT, #10 AWG, ASSY 600V, 30A			
MATERIAL NO. SEE CHART			
DRAWING NO. SD-39960-002		SHEET NO. 1 OF 1	
THIS DRAWING CONTAINS INFORMATION THAT IS PROPRIETARY TO MOLEX INCORPORATED AND SHOULD NOT BE USED WITHOUT WRITTEN PERMISSION.			
			SIZE B