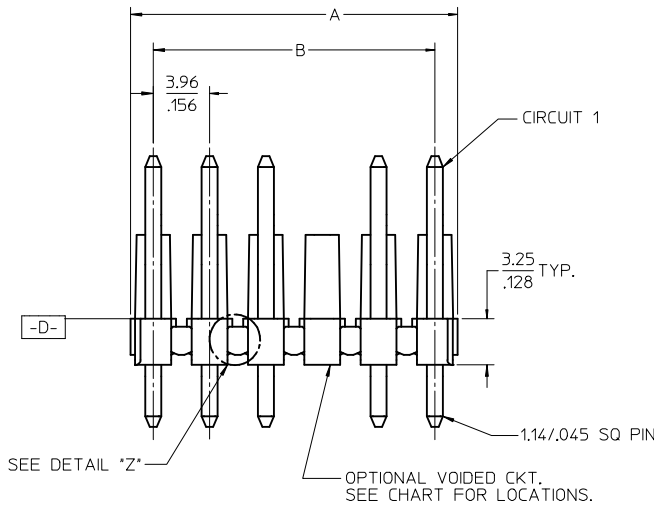
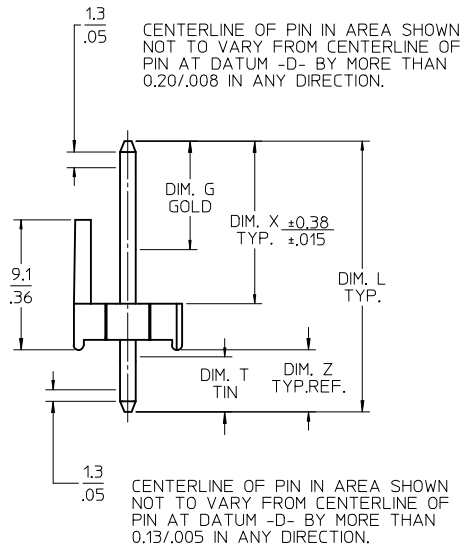
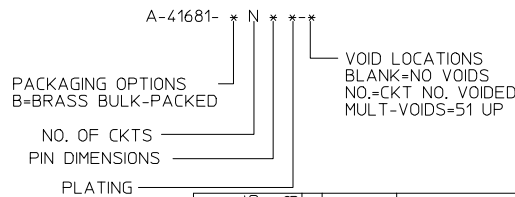


PCB LAYOUT: COMPONENT SIDE
RECOMMENDED PCB THICKNESS:
1.57 ± 0.18 / .062 ± .007



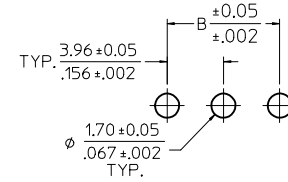
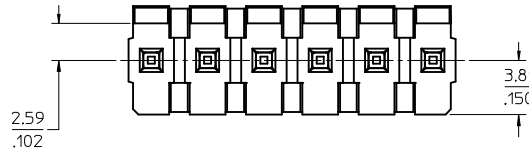
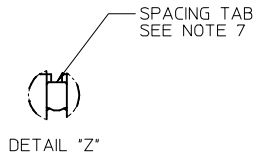
- NOTES:
- MATERIAL: HEADER: GLASS FILLED POLYESTER, 94V-0, MOLDED BLACK PINS- BRASS
 - FINISH:
 - (197) = OVERALL REFLOWED MATTE TIN: (0.00152)/.000060 MIN. OVER (0.00127)/.000050 MIN.
 - (208) = SELECT GOLD: (0.00038)/.000015 MIN. OVER SELECT TIN: (0.00254)/.000100 MIN. OVER NICKEL OVERALL: (0.000127)/.000050 MIN.
 - (228) = SELECT GOLD: (0.00076)/.000030 MIN. OVER NICKEL OVERALL: (0.00127)/.000050 MIN.
 - (241) = SELECT GOLD: (0.00051)/.000020 MIN. OVER NICKEL OVERALL: (0.00127)/.000050 MIN.
 - PRODUCT SPECIFICATION: PS-08-50.
 - PACKAGING: SEE CHART
 - SOLDERABILITY: PER SMES-152.
 - PIN PUSH-OUT FORCE: PRIOR TO SOLDERING, A 3 LB. MINIMUM FORCE IN EITHER DIRECTION SHALL BE REQUIRED TO PUSH THE PIN OUT OF THE HEADER.
 - PARTS ARE STACKABLE END TO END ON 3.96/.156 CENTERS. (SPACING TABS MUST BE REMOVED ON CIRCUIT SIZES 1-23 BEFORE PARTS ARE STACKABLE.)
 - TEXT ON PART IS FOR REFERENCE ONLY. TEXT AND TEXT LOCATION MAY VARY DEPENDING ON PART NUMBER AND/OR TOOL.



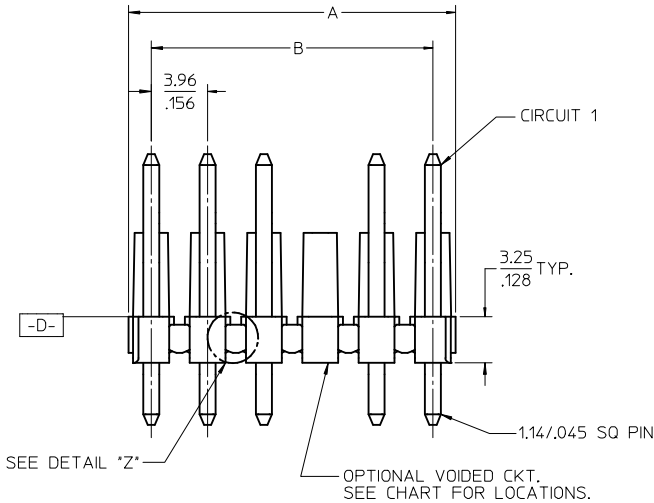
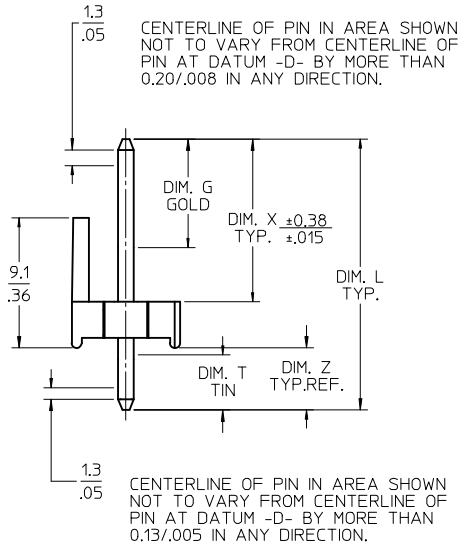
CIRCUIT	A	B
2	6.78/7.87 .267/.310	3.96 .156
3	10.74/11.84 .423/.466	7.92 .312
4	14.71/15.80 .579/.622	11.89 .468
5	18.67/19.76 .735/.778	15.85 .624
6	22.63/23.72 .891/.934	19.81 .780
7	26.59/27.69 1.047/1.090	23.77 .936
8	30.56/31.65 1.203/1.246	27.74 1.092
9	34.52/35.61 1.359/1.402	31.70 1.248
10	38.48/39.57 1.515/1.558	35.66 1.404
11	42.44/43.54 1.671/1.714	39.62 1.560
12	46.41/47.50 1.827/1.870	43.59 1.716
13	50.37/51.46 1.983/2.026	47.55 1.872
14	54.33/55.42 2.139/2.182	51.51 2.028
15	58.29/59.39 2.295/2.338	55.47 2.184
16	62.26/63.35 2.451/2.494	59.44 2.340
17	66.22/67.31 2.607/2.650	63.40 2.496
18	70.18/71.27 2.763/2.806	67.36 2.652
19	74.14/75.23 2.919/2.962	71.32 2.808
20	78.11/79.20 3.075/3.118	75.29 2.964
21	82.07/83.16 3.231/3.274	79.25 3.120
22	86.03/87.12 3.387/3.430	83.21 3.276
23	89.94/91.08 3.541/3.586	87.17 3.432
24	93.85/95.00 3.695/3.740	91.14 3.588

2-*	T
1	U
SHT.	REV.

ENTER DESCRIPTION EC NO: UCP2018-0013 DRAWINGS: 2017/07/05 CHKD: ISHWARG APPR: ISHWARG 2017/07/28 DESCRIPTION	QUALITY SYMBOLS	GENERAL TOLERANCES (UNLESS SPECIFIED)	DIMENSION STYLE	SCALE	DESIGN UNITS	THIRD ANGLE PROJECTION
	▽=0	4 PLACES ± --- ± ---	MM/IN	4:1	INCH	☉ □
	▽=0	3 PLACES ± --- ± .006	mm INCH	DRAWN BY	DATE	TITLE
	▽=0	2 PLACES ± 0.15 ± .010	SAMIEC 08/09/85	CHECKED BY	DATE	KK .156 HEADER ASSEMBLY POLARIZING STRAIGHT 2-24 CKTS.
		1 PLACE ± 0.25 ± ---	PATEL 08/09/85	APPROVED BY	DATE	molex
		0 PLACE ± ±	LENZ 08/09/85	MATERIAL NO.	DOCUMENT NO.	SEE CHART SD-41681-001
		ANGULAR ± 1/2°		DRAFT WHERE APPLICABLE MUST REMAIN WITHIN DIMENSIONS		SHEET NO. 1 OF *
			THIS DRAWING CONTAINS INFORMATION THAT IS PROPRIETARY TO MOLEX INCORPORATED AND SHOULD NOT BE USED WITHOUT WRITTEN PERMISSION			

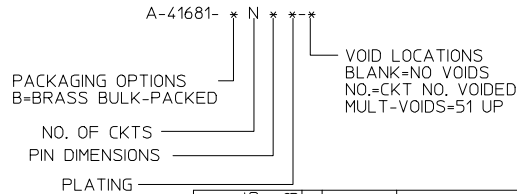


PCB LAYOUT: COMPONENT SIDE
RECOMMENDED PCB THICKNESS:
1.57 ± 0.18 / .062 ± .007



NOTES:

- MATERIAL: HEADER: GLASS FILLED POLYESTER, 94V-0, MOLDED BLACK PINS- BRASS
- FINISH:
 - (197) = OVERALL REFLOWED MATTE TIN: (0.00152) / .000060 MIN. OVER (0.00127) / .000050 MIN.
 - (208) = SELECT GOLD: (0.00038) / .000015 MIN. OVER SELECT TIN: (0.00254) / .000100 MIN. OVER NICKEL OVERALL: (0.000127) / .000050 MIN.
 - (228) = SELECT GOLD: (0.00076) / .000030 MIN. OVER NICKEL OVERALL: (0.00127) / .000050 MIN.
 - (241) = SELECT GOLD: (0.00051) / .000020 MIN. OVER NICKEL OVERALL: (0.00127) / .000050 MIN.
- PRODUCT SPECIFICATION: PS-08-50.
- PACKAGING: SEE CHART
- SOLDERABILITY: PER SMES-152.
- PIN PUSH-OUT FORCE: PRIOR TO SOLDERING, A 3 LB. MINIMUM FORCE IN EITHER DIRECTION SHALL BE REQUIRED TO PUSH THE PIN OUT OF THE HEADER.
- PARTS ARE STACKABLE END TO END ON 3.96 / .156 CENTERS. (SPACING TABS MUST BE REMOVED ON CIRCUIT SIZES 1-23 BEFORE PARTS ARE STACKABLE.)
- TEXT ON PART IS FOR REFERENCE ONLY. TEXT AND TEXT LOCATION MAY VARY DEPENDING ON PART NUMBER AND/OR TOOL.



CIRCUIT	A	B
2	6.78/7.87 .267/.310	3.96 .156
3	10.74/11.84 .423/.466	7.92 .312
4	14.71/15.80 .579/.622	11.89 .468
5	18.67/19.76 .735/.778	15.85 .624
6	22.63/23.72 .891/.934	19.81 .780
7	26.59/27.69 1.047/1.090	23.77 .936
8	30.56/31.65 1.203/1.246	27.74 1.092
9	34.52/35.61 1.359/1.402	31.70 1.248
10	38.48/39.57 1.515/1.558	35.66 1.404
11	42.44/43.54 1.671/1.714	39.62 1.560
12	46.41/47.50 1.827/1.870	43.59 1.716
13	50.37/51.46 1.983/2.026	47.55 1.872
14	54.33/55.42 2.139/2.182	51.51 2.028
15	58.29/59.39 2.295/2.338	55.47 2.184
16	62.26/63.35 2.451/2.494	59.44 2.340
17	66.22/67.31 2.607/2.650	63.40 2.496
18	70.18/71.27 2.763/2.806	67.36 2.652
19	74.14/75.23 2.919/2.962	71.32 2.808
20	78.11/79.20 3.075/3.118	75.29 2.964
21	82.07/83.16 3.231/3.274	79.25 3.120
22	86.03/87.12 3.387/3.430	83.21 3.276
23	89.94/91.08 3.541/3.586	87.17 3.432
24	93.85/95.00 3.695/3.740	91.14 3.588

2-*	T
1	U
SHT.	REV.

ENTER DESCRIPTION EC NO: UCP2018-0013 DRAWINGS: 2017/07/05 CHKD: ISHWARG APPR: ISHWARG 2017/07/28 DESCRIPTION	QUALITY SYMBOLS	GENERAL TOLERANCES (UNLESS SPECIFIED)	DIMENSION STYLE	SCALE	DESIGN UNITS	THIRD ANGLE PROJECTION
	▽=0	4 PLACES ± --- ± ---	MM/IN	4:1	INCH	☉ □
	▽=0	3 PLACES ± --- ± .006	mm INCH	DRAWN BY	DATE	TITLE
	▽=0	2 PLACES ± 0.15 ± .010	SAMIEC 08/09/85	CHECKED BY	DATE	KK .156 HEADER ASSEMBLY POLARIZING STRAIGHT 2-24 CKTS.
	1 PLACE ± 0.25 ± ---	1 PLACE ± 0.15 ± .010	PATEL 08/09/85	APPROVED BY	DATE	
	0 PLACE ± ±	0 PLACE ± ±	LENZ 08/09/85	MATERIAL NO.	DOCUMENT NO.	
		ANGULAR ± 1/2°	SEE CHART			
		DRAFT WHERE APPLICABLE MUST REMAIN WITHIN DIMENSIONS	SD-41681-001			
			THIS DRAWING CONTAINS INFORMATION THAT IS PROPRIETARY TO MOLEX INCORPORATED AND SHOULD NOT BE USED WITHOUT WRITTEN PERMISSION			

ENG. NO: A-41681-BNA197-*				ENG. NO: A-41681-BNA241-*				ENG. NO: A-41681-BNC197-*			
PIN NUMBER		43294-0240		PIN NUMBER		43294-0241		PIN NUMBER		43294-0193	
PLATING		197		PLATING		241		PLATING		197	
DIM. L		(19.05)/.750		DIM. L		(19.05)/.750		DIM. L		(17.78)/.700	
DIM. X		(11.43)/.450		DIM. X		(11.43)/.450		DIM. X		(11.35)/.447	
DIM. G (GOLD)		N/A		DIM. G (GOLD)		(6.86)/.270		DIM. G (GOLD)		N/A	
DIM. Z		(4.37)/.172		DIM. Z		(4.37)/.172		DIM. Z		(3.18)/.125	
DIM. T (TIN)		OVERALL		DIM. T (TIN)		(4.06)/.160		DIM. T (TIN)		OVERALL	
PACKAGING		PK-41681-001 (BULK)		PACKAGING		PK-41681-001 (BULK)		PACKAGING		PK-41681-001 (BULK)	
CKTS	EDP NO.	ENG. NO.	VOIDS	CKTS	EDP NO.	ENG. NO.	VOIDS	CKTS	EDP NO.	ENG. NO.	VOIDS
02	26-48-1023	A-41681-B2A197		02	26-48-2023	A-41681-B2A241		02	26-48-7025	A-41681-B2C197	
03	26-48-1033	A-41681-B3A197		03	26-48-2033	A-41681-B3A241		03	26-48-7035	A-41681-B3C197	
04	26-48-1043	A-41681-B4A197		04	26-48-2043	A-41681-B4A241		04	26-48-7045	A-41681-B4C197	
05	26-48-1053	A-41681-B5A197		05	26-48-2053	A-41681-B5A241		05	26-48-7055	A-41681-B5C197	
06	26-48-1063	A-41681-B6A197		06	26-48-2063	A-41681-B6A241		06	26-48-7065	A-41681-B6C197	
07	26-48-1073	A-41681-B7A197		07	26-48-2073	A-41681-B7A241		07	26-48-7075	A-41681-B7C197	
08	26-48-1083	A-41681-B8A197		08	26-48-2083	A-41681-B8A241		08	26-48-7085	A-41681-B8C197	
09	26-48-1093	A-41681-B9A197		09	26-48-2093	A-41681-B9A241		09	26-48-7095	A-41681-B9C197	
10	26-48-1103	A-41681-B10A197		10	26-48-2103	A-41681-B10A241		10	26-48-7105	A-41681-B10C197	
11	26-48-1113	A-41681-B11A197		11	26-48-2113	A-41681-B11A241		11	26-48-7115	A-41681-B11C197	
12	26-48-1123	A-41681-B12A197		12	26-48-2123	A-41681-B12A241		12	26-48-7125	A-41681-B12C197	
13	26-48-1133	A-41681-B13A197		13	26-48-2133	A-41681-B13A241		13	26-48-7135	A-41681-B13C197	
14	26-48-1143	A-41681-B14A197		14	26-48-2143	A-41681-B14A241		14	26-48-7145	A-41681-B14C197	
15	26-48-1153	A-41681-B15A197		15	26-48-2153	A-41681-B15A241		15	26-48-7155	A-41681-B15C197	
16	26-48-1163	A-41681-B16A197		16	26-48-2163	A-41681-B16A241		16	26-48-7165	A-41681-B16C197	
17	26-48-1173	A-41681-B17A197		17	26-48-2173	A-41681-B17A241		17	26-48-7175	A-41681-B17C197	
18	26-48-1183	A-41681-B18A197		18	26-48-2183	A-41681-B18A241		18	26-48-7185	A-41681-B18C197	
19	26-48-1193	A-41681-B19A197		19	26-48-2193	A-41681-B19A241		19	26-48-7195	A-41681-B19C197	
20	26-48-1203	A-41681-B20A197		20	26-48-2203	A-41681-B20A241		20	26-48-7205	A-41681-B20C197	
21	26-48-1213	A-41681-B21A197		21	26-48-2213	A-41681-B21A241		21	26-48-7215	A-41681-B21C197	
22	26-48-1223	A-41681-B22A197		22	26-48-2223	A-41681-B22A241		22	26-48-7225	A-41681-B22C197	
23	26-48-1233	A-41681-B23A197		23	26-48-2233	A-41681-B23A241		23	26-48-7235	A-41681-B23C197	
24	26-48-1243	A-41681-B24A197		24	26-48-2243	A-41681-B24A241		24	26-48-7245	A-41681-B24C197	
13	26-49-6137	A-41681-B13A197-12	12								
17	26-49-6177	A-41681-B17A197-2	2								
20	26-49-6207	A-41681-B20A197-17	17								

REV: T	ECR/ECN INFORMATION	TITLE: KK .156 HEADER ASSEMBLY POLARIZING STRAIGHT 2-24 CKTS	SHEET No.
	EC No: UCP2012-0114		- 2 -
	DATE: 7/26/2011		
DOCUMENT NUMBER: SD-41681-001	CREATED / REVISED BY: MMSTROH	CHECKED BY: MKIPPER	APPROVED BY: FSMITH

ENG. NO: A-41681-BNC228-*				ENG. NO: A-41681-BNA208-*				ENG. NO: A-41681-BNA228-*			
PIN NUMBER		43294-0192		PIN NUMBER		43294-0236		PIN NUMBER		43294-0237	
PLATING		228		PLATING		208		PLATING		228	
DIM. L		(17.78)/.700		DIM. L		(19.05)/.750		DIM. L		(19.05)/.750	
DIM. X		(11.35)/.447		DIM. X		(11.43)/.450		DIM. X		(11.43)/.450	
DIM. G (GOLD)		(6.85)/.270		DIM. G (GOLD)		(6.86)/.270		DIM. G (GOLD)		(6.86)/.270	
DIM. Z		(3.18)/.125		DIM. Z		(4.37)/.172		DIM. Z		(4.37)/.172	
DIM. T (TIN)		(4.06)/.160		DIM. T (TIN)		(4.06)/.160		DIM. T (TIN)		(4.06)/.160	
PACKAGING		PK-41681-001 (BULK)		PACKAGING		PK-41681-001 (BULK)		PACKAGING		PK-41681-001 (BULK)	
CKTS	EDP NO.	ENG. NO.	VOIDS	CKTS	EDP NO.	ENG. NO.	VOIDS	CKTS	EDP NO.	ENG. NO.	VOIDS
02	26-48-7028	A-41681-B2C228		02	41681-0001	A-41681-B02A208		02	41681-0024	A-41681-B02A228	
03	26-48-7038	A-41681-B3C228		03	41681-0002	A-41681-B03A208		03	41681-0025	A-41681-B03A228	
04	26-48-7048	A-41681-B4C228		04	41681-0003	A-41681-B04A208		04	41681-0026	A-41681-B04A228	
05	26-48-7058	A-41681-B5C228		05	41681-0004	A-41681-B05A208		05	41681-0027	A-41681-B05A228	
06	26-48-7068	A-41681-B6C228		06	41681-0005	A-41681-B06A208		06	41681-0028	A-41681-B06A228	
07	26-48-7078	A-41681-B7C228		07	41681-0006	A-41681-B07A208		07	41681-0029	A-41681-B07A228	
08	26-48-7088	A-41681-B8C228		08	41681-0007	A-41681-B08A208		08	41681-0030	A-41681-B08A228	
09	26-48-7098	A-41681-B9C228		09	41681-0008	A-41681-B09A208		09	41681-0031	A-41681-B09A228	
10	26-48-7108	A-41681-B10C228		10	41681-0009	A-41681-B10A208		10	41681-0032	A-41681-B10A228	
11	26-48-7118	A-41681-B11C228		11	41681-0010	A-41681-B11A208		11	41681-0033	A-41681-B11A228	
12	26-48-7128	A-41681-B12C228		12	41681-0011	A-41681-B12A208		12	41681-0034	A-41681-B12A228	
13	26-48-7138	A-41681-B13C228		13	41681-0012	A-41681-B13A208		13	41681-0035	A-41681-B13A228	
14	26-48-7148	A-41681-B14C228		14	41681-0013	A-41681-B14A208		14	41681-0036	A-41681-B14A228	
15	26-48-7158	A-41681-B15C228		15	41681-0014	A-41681-B15A208		15	41681-0037	A-41681-B15A228	
16	26-48-7168	A-41681-B16C228		16	41681-0015	A-41681-B16A208		16	41681-0038	A-41681-B16A228	
17	26-48-7178	A-41681-B17C228		17	41681-0016	A-41681-B17A208		17	41681-0039	A-41681-B17A228	
18	26-48-7188	A-41681-B18C228		18	41681-0017	A-41681-B18A208		18	41681-0040	A-41681-B18A228	
19	26-48-7198	A-41681-B19C228		19	41681-0018	A-41681-B19A208		19	41681-0041	A-41681-B19A228	
20	26-48-7208	A-41681-B20C228		20	41681-0019	A-41681-B20A208		20	41681-0042	A-41681-B20A228	
21	26-48-7218	A-41681-B21C228		21	41681-0020	A-41681-B21A208		21	41681-0043	A-41681-B21A228	
22	26-48-7228	A-41681-B22C228		22	41681-0021	A-41681-B22A208		22	41681-0044	A-41681-B22A228	
23	26-48-7238	A-41681-B23C228		23	41681-0022	A-41681-B23A208		23	41681-0045	A-41681-B23A228	
24	26-48-7248	A-41681-B24C228		24	41681-0023	A-41681-B24A208		24	41681-0046	A-41681-B24A228	

REV: T	<u>ECR/ECN INFORMATION</u>		<u>TITLE:</u> KK .156 HEADER ASSEMBLY POLARIZING STRAIGHT 2-24 CKTS	<u>SHEET No.</u> - 3 -
	<u>EC No:</u>	UCP2012-0114		
	<u>DATE:</u>	7/26/2011		
<u>DOCUMENT NUMBER:</u> SD-41681-001		<u>CREATED / REVISED BY:</u> MMSTROH	<u>CHECKED BY:</u> MKIPPER	<u>APPROVED BY:</u> FSMITH

ENG. NO: A-41681-BNB197-*				ENG. NO				ENG. NO			
PIN NUMBER		43294-0240		PIN NUMBER				PIN NUMBER			
PLATING		197		PLATING				PLATING			
DIM. L		(19.05)/.750		DIM. L				DIM. L			
DIM. X		(12.62)/.497		DIM. X				DIM. X			
DIM. G (GOLD)		N/A		DIM. G (GOLD)				DIM. G (GOLD)			
DIM. Z		(3.18)/.125		DIM. Z				DIM. Z			
DIM. T (TIN)		OVERALL		DIM. T (TIN)				DIM. T (TIN)			
PACKAGING		PK-41681-001 (BULK)		PACKAGING		PK-41681-001 (BULK)		PACKAGING		PK-41681-001 (BULK)	
CKTS	EDP NO.	ENG. NO.	VOIDS	CKTS	EDP NO.	ENG. NO.	VOIDS	CKTS	EDP NO.	ENG. NO.	VOIDS
02	41681-0047	A-41681-B2B197		02				02			
03	41681-0048	A-41681-B3B197		03				03			
04	41681-0049	A-41681-B4B197		04				04			
05	41681-0050	A-41681-B5B197		05				05			
06	41681-0051	A-41681-B6B197		06				06			
07	41681-0052	A-41681-B7B197		07				07			
08	41681-0053	A-41681-B8B197		08				08			
09	41681-0054	A-41681-B9B197		09				09			
10	41681-0055	A-41681-B10B197		10				10			
11	41681-0056	A-41681-B11B197		11				11			
12	41681-0057	A-41681-B12B197		12				12			
13	41681-0058	A-41681-B13B197		13				13			
14	41681-0059	A-41681-B14B197		14				14			
15	41681-0060	A-41681-B15B197		15				15			
16	41681-0061	A-41681-B16B197		16				16			
17	41681-0062	A-41681-B17B197		17				17			
18	41681-0063	A-41681-B18B197		18				18			
19	41681-0064	A-41681-B19B197		19				19			
20	41681-0065	A-41681-B20B197		20				20			
21	41681-0066	A-41681-B21B197		21				21			
22	41681-0067	A-41681-B22B197		22				22			
23	41681-0068	A-41681-B23B197		23				23			
24	26-48-6248	A-41681-B24B197		24				24			

REV: T	ECR/ECN INFORMATION	TITLE: KK .156 HEADER ASSEMBLY POLARIZING STRAIGHT 2-24 CKTS	SHEET No.
	EC No: UCP2012-0114		- 4 -
	DATE: 7/26/2011		
DOCUMENT NUMBER: SD-41681-001	CREATED / REVISED BY: MMSTROH	CHECKED BY: MKIPPER	APPROVED BY: FSMITH