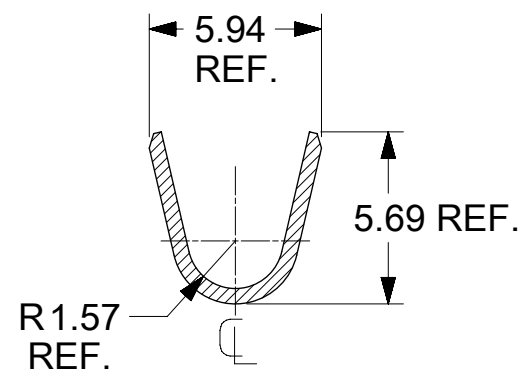
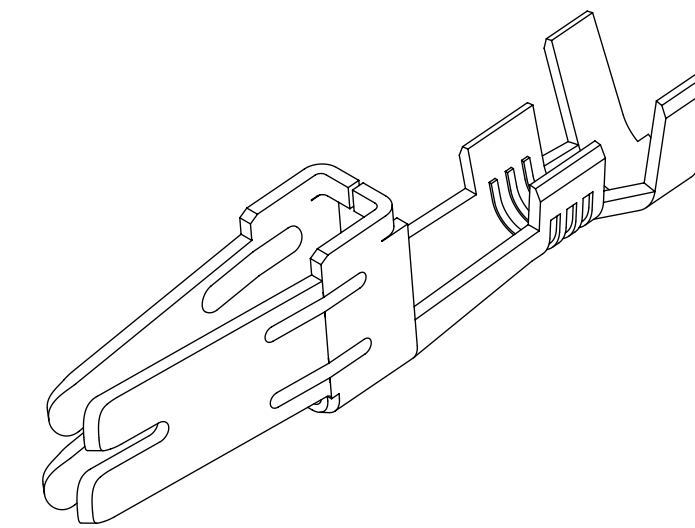
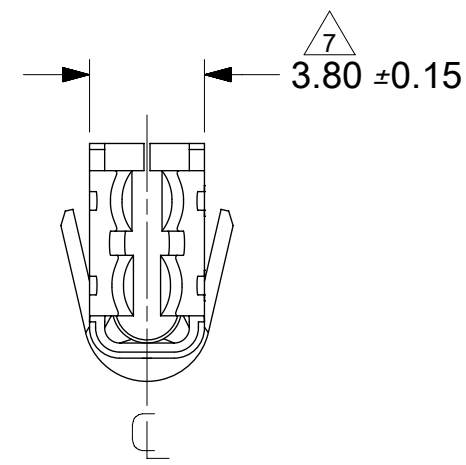
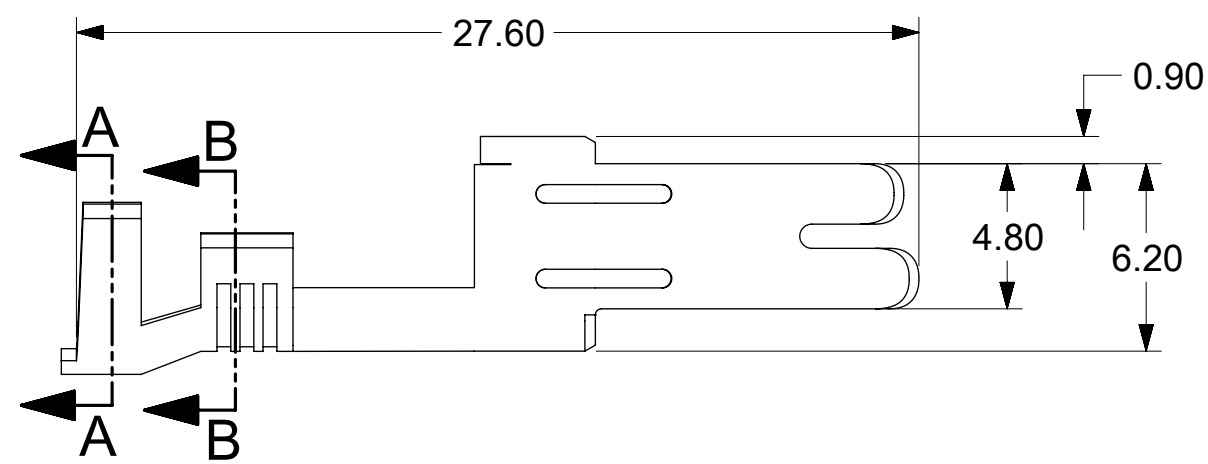
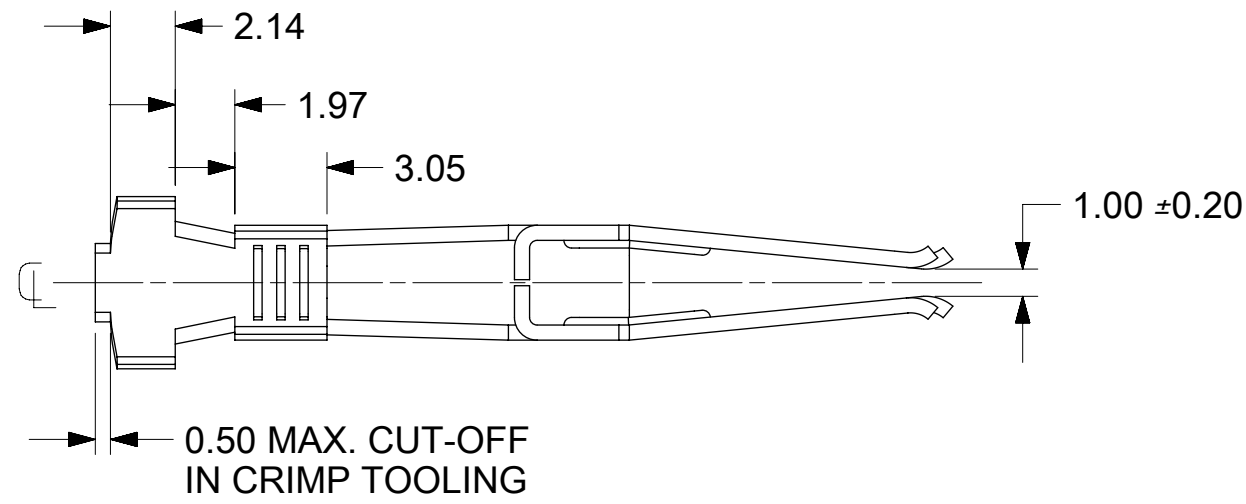
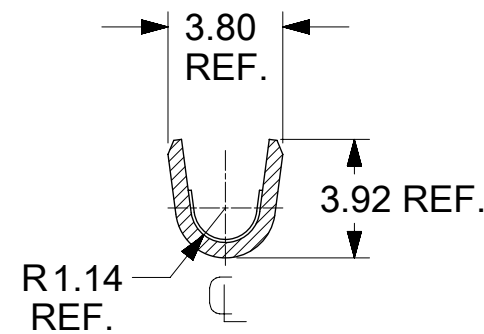


NOTES:

1. MATERIAL: COPPER ALLOY 151, 0.50mm THICK.
2. PLATING:
 OVERALL *TIN: 0.00254 MIN. BRIGHT TIN
 OVER 0.00127 MIN. NICKEL.
 SELECT GOLD: 0.00076 MIN. SELECT GOLD IN CONTACT AREA,
 0.00127 MIN. SELECT *TIN IN CRIMP AREA, OVER 0.00127 MIN. NICKEL.
 SELECT SILVER: 0.00254 MIN. SELECT SILVER IN CONTACT AREA,
 0.00254 MIN. SELECT *TIN IN CRIMP AREA, OVER 0.00127 MIN. NICKEL.
3. PRODUCT SPECIFICATION: PS-42815-001.
4. PACKAGING INFORMATION: PK-42815-001.
5. PART IS DESIGNED IN METRIC.
6. TERMINALS FOR USE WITH STRANDARED WIRE ONLY,
 STRANDED TINNED WIRE IS RECOMMENDED.
7. AFTER CRIMPING, THIS DIMENSION IS 3.55mm MINIMUM.
8. CRIMP SPECIFICATION: 638301000.
9. WHEN USING TIN-PLATED TERMINALS FOR APPLICATIONS
 INVOLVING VIBRATION AND/OR THERMAL CYCLING,
 MOLEX STRONGLY RECOMMENDS THE USE OF NYE LUBRICANT,
 NYOGEL 760G, ON THE MATING AREA OF THE TERMINAL.
 LUBRICANT SHOULD BE APPLIED AFTER THE TERMINALS ARE
 INSERTED INTO THE HOUSING.
10. PARTS CONFORM TO CLASS 'B' REQUIREMENT OF COSMETIC SPECPS-45499-002.
11. REFER AS-42815-001 FOR TIN PLATED TERMINALS RECOMMENDED LUBRICATION PROCEDURE.



SECTION A-A
INSULATION CRIMP



SECTION B-B
CONDUCTOR CRIMP

MATERIAL NO.	PLATING	STATUS
428150041	TIN	PLANNED FOR OBSOLESCENCE
428150042	SELECT GOLD	ACTIVE
428150144	SELECT SILVER	ACTIVE

THIS DRAWING CONTAINS INFORMATION THAT IS PROPRIETARY TO MOLEX ELECTRONIC TECHNOLOGIES, LLC AND SHOULD NOT BE USED WITHOUT WRITTEN PERMISSION

DIMENSION UNITS	SCALE	CURRENT REV	DESC:	molex			
MM	4:1			MINIFIT SR. FEMALE CRIMP TERMINAL, 14-16 AWG SELECT GOLD & SILVER PLT			
GENERAL TOLERANCES (UNLESS SPECIFIED)							
4 PLACES	±			PRODUCT CUSTOMER DRAWING			
3 PLACES	±			DOCUMENT NUMBER			
2 PLACES	± 0.25			SD-42815-020			
1 PLACE	± 0.4			DOC TYPE			
0 PLACES	±			PSD			
ANGULAR TOL	± 0.5 °			DOC PART			
DRAFT WHERE APPLICABLE MUST REMAIN WITHIN DIMENSIONS				REVISION			
THIRD ANGLE PROJECTION				C			
DRAWING				SERIES			
C-SIZE				42815			
MATERIAL NUMBER				CUSTOMER			
SEE CHART				GENERAL MARKET			
SHEET NUMBER				1 OF 1			