

**PLEASE CHECK WWW.MOLEX.COM FOR LATEST PART INFORMATION**

**Part Number:** [42819-3232](#)  
**Status:** **Active**  
**Overview:** [Mini-Fit Sr.™](#)  
**Description:** 10.00mm Pitch Mini-Fit Sr.™ Header, Single Row, Vertical, 3 Circuits, 3.18mm PCB Thickness, Tin (Sn) Plating

**Documents:**

[3D Model](#) [Test Summary TS-42815-001 \(PDF\)](#)  
[Drawing \(PDF\)](#) [RoHS Certificate of Compliance \(PDF\)](#)  
[Product Specification PS-42815-001 \(PDF\)](#)

**Agency Certification**

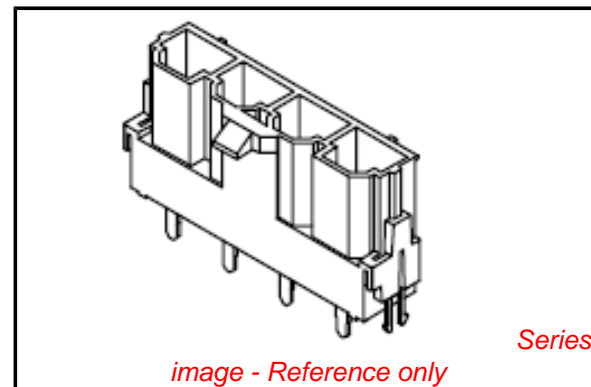
|     |           |
|-----|-----------|
| CSA | LR19980   |
| TUV | R72081037 |
| UL  | E29179    |

**General**

|                |                               |
|----------------|-------------------------------|
| Product Family | PCB Headers                   |
| Series         | <a href="#">42819</a>         |
| Application    | Power, Wire-to-Board          |
| Overview       | <a href="#">Mini-Fit Sr.™</a> |
| Product Name   | Mini-Fit Sr.™                 |

**Physical**

|                                |                                |
|--------------------------------|--------------------------------|
| Breakaway                      | No                             |
| Circuits (Loaded)              | 3                              |
| Circuits (maximum)             | 3                              |
| Color - Resin                  | Black                          |
| Durability (mating cycles max) | 30                             |
| First Mate / Last Break        | No                             |
| Flammability                   | 94V-0                          |
| Glow-Wire Compliant            | No                             |
| Guide to Mating Part           | No                             |
| Keying to Mating Part          | None                           |
| Lock to Mating Part            | Yes                            |
| Material - Metal               | Brass                          |
| Material - Plating Mating      | Tin                            |
| Material - Plating Termination | Tin                            |
| Material - Resin               | High Temperature Thermoplastic |
| Number of Rows                 | 1                              |
| Orientation                    | Vertical                       |
| PC Tail Length                 | 5.10mm                         |
| PCB Locator                    | Yes                            |
| PCB Retention                  | Yes                            |
| PCB Thickness - Recommended    | 3.20mm                         |
| Packaging Type                 | Tray                           |
| Pitch - Mating Interface       | 10.00mm                        |
| Pitch - Termination Interface  | 10.00mm                        |
| Plating min - Mating           | 2.540µm                        |
| Plating min - Termination      | 2.540µm                        |
| Polarized to Mating Part       | Yes                            |
| Polarized to PCB               | Yes                            |
| Shrouded                       | Fully                          |
| Stackable                      | No                             |
| Surface Mount Compatible (SMC) | No                             |
| Temperature Range - Operating  | -40°C to +105°C                |



**EU RoHS**

**ELV and RoHS Compliant**  
**REACH SVHC Contains SVHC: No**  
**Low-Halogen Status Not Low-Halogen**

**China RoHS**



**Need more information on product environmental compliance?**

Email [productcompliance@molex.com](mailto:productcompliance@molex.com)  
 For a multiple part number RoHS Certificate of Compliance, [click here](#)

Please visit the [Contact Us](#) section for any non-product compliance questions.

**Search Parts in this Series**

[42819Series](#)

**Mates With**

Mini-Fit Sr.™ Receptacle Housing with TPA  
[42816](#)

Termination Interface: Style

Through Hole

### **Electrical**

Current - Maximum per Contact

50A

Voltage - Maximum

600V

### **Solder Process Data**

Duration at Max. Process Temperature (seconds)

3

Lead-free Process Capability

Wave Capable (TH only)

Max. Cycles at Max. Process Temperature

1

Process Temperature max. C

265

### **Material Info**

#### **Reference - Drawing Numbers**

Product Specification

PS-42815-001, RPS-42815-001, RPS-42815-011,  
RPS-42815-012, RPS-42815-013, RPS-42815-014,  
RPS-42815-015

Sales Drawing

SDA-42819-0002

Test Summary

TS-42815-001

This document was generated on 03/29/2012

**PLEASE CHECK [WWW.MOLEX.COM](http://WWW.MOLEX.COM) FOR LATEST PART INFORMATION**