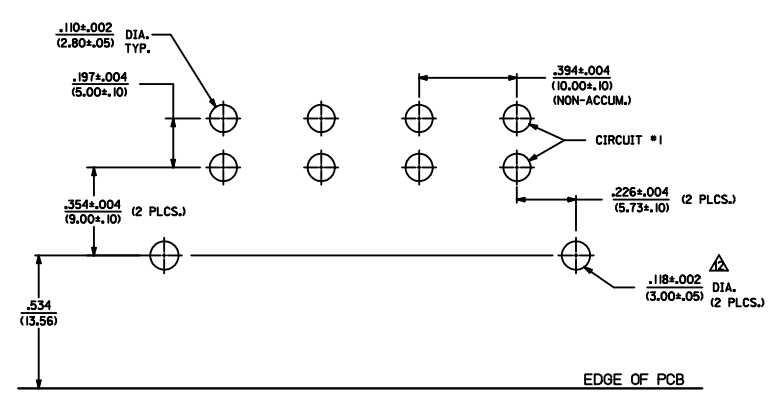
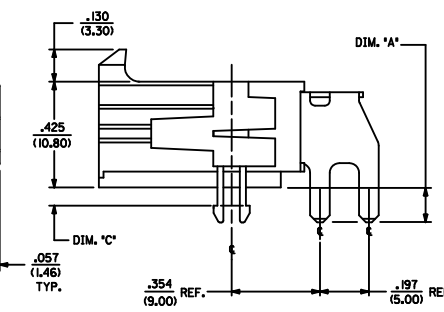
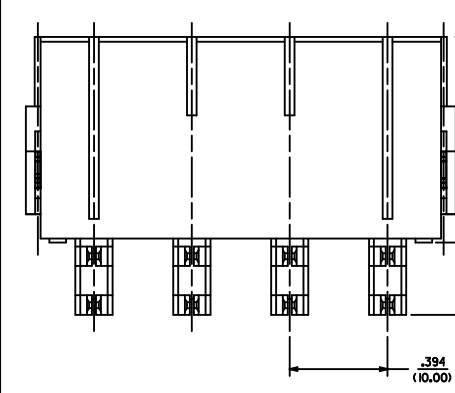
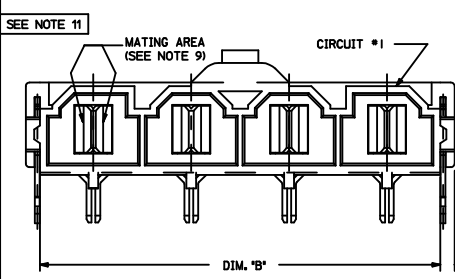
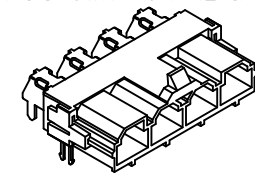


ITEM NUMBER	CKT. SIZE	DIM. 'A'	DIM. 'B'	DIM. 'C'	TERMINAL PLATING	CLIP PLATING
42820-2212	2	.138/(3.50)	.823/(20.90)	.071/(1.80)		
42820-2219	2	.136/(3.50)	.823/(20.90)	.071/(1.80)		
42820-2222	2	.201/(5.10)	.823/(20.90)	.102/(2.60)		
42820-2232	2	.201/(5.10)	.823/(20.90)	.134/(3.40)		
42820-2239	2	.201/(5.10)	.823/(20.90)	.134/(3.40)		
42820-2242	2	.327/(8.30)	.823/(20.90)	.259/(6.58)		
42820-3212	3	.138/(3.50)	1.217/(30.90)	.071/(1.80)		
42820-3222	3	.201/(5.10)	1.217/(30.90)	.102/(2.60)		
42820-3229	3	.201/(5.10)	1.217/(30.90)	.102/(2.60)		
42820-3232	3	.201/(5.10)	1.217/(30.90)	.134/(3.40)		
42820-3242	3	.327/(8.30)	1.217/(30.90)	.259/(6.58)		
42820-4212	4	.138/(3.50)	1.610/(40.90)	.071/(1.80)	OVERALL BRIGHT TIN	
42820-4312	4	.138/(3.50)	1.610/(40.90)	N/A		
42820-4222	4	.201/(5.10)	1.610/(40.90)	.102/(2.60)		
42820-4232	4	.201/(5.10)	1.610/(40.90)	.134/(3.40)		
42820-4242	4	.327/(8.30)	1.610/(40.90)	.259/(6.58)		
42820-5212	5	.138/(3.50)	2.004/(50.90)	.071/(1.80)		
42820-5222	5	.201/(5.10)	2.004/(50.90)	.102/(2.60)		
42820-5232	5	.201/(5.10)	2.004/(50.90)	.134/(3.40)		
42820-5242	5	.327/(8.30)	2.004/(50.90)	.259/(6.58)		
42820-6212	6	.138/(3.50)	2.389/(60.90)	.071/(1.80)		
42820-6222	6	.201/(5.10)	2.389/(60.90)	.102/(2.60)		
42820-6229	6	.201/(5.10)	2.389/(60.90)	.102/(2.60)		
42820-6232	6	.201/(5.10)	2.389/(60.90)	.134/(3.40)		
42820-6242	6	.327/(8.30)	2.389/(60.90)	.259/(6.58)		
42820-2332	2	.201/(5.10)	.823/(20.90)	N/A		
42820-2342	2	.327/(8.30)	.823/(20.90)	N/A		
42820-2213	2	.138/(3.50)	.823/(20.90)	.071/(1.80)		
42820-2223	2	.201/(5.10)	.823/(20.90)	.102/(2.60)		
42820-2233	2	.201/(5.10)	.823/(20.90)	.134/(3.40)		
42820-2243	2	.327/(8.30)	.823/(20.90)	.259/(6.58)		
42820-3213	3	.138/(3.50)	1.217/(30.90)	.071/(1.80)		
42820-3228	3	.138/(3.50)	1.217/(30.90)	.102/(2.60)		
42820-3223	3	.201/(5.10)	1.217/(30.90)	.102/(2.60)		
42820-3233	3	.201/(5.10)	1.217/(30.90)	.134/(3.40)		
42820-3243	3	.327/(8.30)	1.217/(30.90)	.259/(6.58)		
42820-4213	4	.138/(3.50)	1.610/(40.90)	.071/(1.80)		
42820-4223	4	.201/(5.10)	1.610/(40.90)	.102/(2.60)	SELECT GOLD IN CONTACT AREA	
42820-4233	4	.201/(5.10)	1.610/(40.90)	.134/(3.40)		
42820-4243	4	.327/(8.30)	1.610/(40.90)	.259/(6.58)	SELECT MATTE TIN ON SOLDER TAILS	
42820-5213	5	.138/(3.50)	2.004/(50.90)	.071/(1.80)		
42820-5223	5	.201/(5.10)	2.004/(50.90)	.102/(2.60)		
42820-5233	5	.201/(5.10)	2.004/(50.90)	.134/(3.40)		
42820-5243	5	.327/(8.30)	2.004/(50.90)	.259/(6.58)		
42820-6213	6	.138/(3.50)	2.389/(60.90)	.071/(1.80)		
42820-6223	6	.201/(5.10)	2.389/(60.90)	.102/(2.60)		
42820-6233	6	.201/(5.10)	2.389/(60.90)	.134/(3.40)		
42820-6243	6	.327/(8.30)	2.389/(60.90)	.259/(6.58)		



RECOMMENDED P.C. BOARD PLATED-THRU HOLE LAYOUT  
(4 CKT. SHOWN FOR REF.)



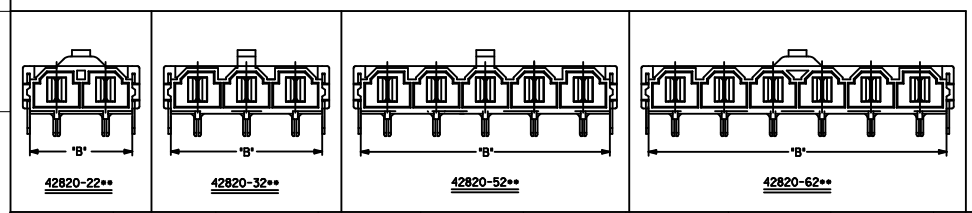
HEADER WITH RT. ANGLE TERMINAL & CLIP  
ISO VIEW

**LEGEND:**  
A-42820 - -   
CIRCUIT SIZE (2-6)

**MOUNTING OPTION**  
1 = FLANGES (SEE DWG. SDA-42820-\*\*\*)  
2 = RETENTION CLIP  
3 = NO RETENTION CLIP

**P.C. BOARD THICKNESS**  
1 = .062/(1.57) NOMINAL  
2 = .093/(2.36) NOMINAL  
3 = .125/(3.18) NOMINAL  
4 = .250/(6.35) NOMINAL

**PLATING**  
2 OR 9 = OVERALL BRIGHT TIN OVER NICKEL  
3 OR 8 = SELECT GOLD IN CONTACT AREA  
SELECT MATTE TIN ON SOLDER TAILS OVER NICKEL



ADD P/N 42820-4312 EC NO. UCP2012-245 DRAWN: AELHAG CHKD: J.BELL APPR: F.S.MITH DATE: 2012/02/02 DATE: 2012/02/10	<b>QUALITY SYMBOLS</b>  	<b>GENERAL TOLERANCES (UNLESS SPECIFIED)</b>		<b>DIMENSION STYLE</b> IN/MM		<b>SCALE</b> 4:1	<b>DESIGN UNITS</b> METRIC	<b>THIRD ANGLE PROJECTION</b>
		4 PLACES ±.005 3 PLACES ±.005 2 PLACES ±.025 1 PLACE ±.040 ANGULAR ±1/2°	mm INCH	DRAWN BY: AELHAG DATE: 2010/08/05 CHECKED BY: J.BELL DATE: 2010/08/05 APPROVED BY: F.S.MITH DATE: 2010/08/26	TITLE: RIGHT ANGLE HEADER ASSEMBLY MINIFIT SR. SERIES	<b>MOLEX INCORPORATED</b>		MATERIAL NO. SDA-42820-0002 DOCUMENT NO. SDA-42820-0002
DRAFT WHERE APPLICABLE MUST REMAIN WITHIN DIMENSIONS		SEE CHART		THIS DRAWING CONTAINS INFORMATION THAT IS PROPRIETARY TO MOLEX INCORPORATED AND SHOULD NOT BE USED WITHOUT WRITTEN PERMISSION				