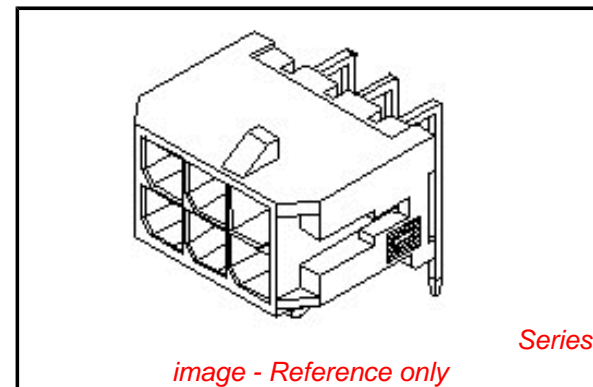


**PLEASE CHECK WWW.MOLEX.COM FOR LATEST PART INFORMATION**

**Part Number:** [43045-2410](#)  
**Status:** **Active**  
**Overview:** Micro-Fit 3.0™ Connectors  
**Description:** 3.00mm Pitch Micro-Fit 3.0™ Header, Surface Mount, Dual Row, Right Angle, with Solder Tab, 24 Circuits, 0.38µm Gold (Au) Selective Plating, Glow Wire Compatible

**Documents:**

|  |  |
|--|--|
| <a href="#">3D Model</a>                             | <a href="#">Test Summary TS-43045-002 (PDF)</a>      |
| <a href="#">Drawing (PDF)</a>                        | <a href="#">RoHS Certificate of Compliance (PDF)</a> |
| <a href="#">Product Specification PS-43045 (PDF)</a> | <a href="#">Product Literature (PDF)</a>             |
| <a href="#">Test Summary TS-43045-001 (PDF)</a>      |  |



**Agency Certification**

|     |           |
|-----|-----------|
| CSA | LR19980   |
| TUV | R72081037 |
| UL  | E29179    |

**General**

|                             |   |
|-----------------------------|---|
| Product Family              | PCB Headers   |
| Series                      | <a href="#">43045</a>   |
| Application                 | Power, Wire-to-Board  |
| Comments                    | "High Temperature Square Pin Solder Type<P><P>This Molex product is manufactured from material that has the following ratings, tested by independent agencies:. a) A Glow Wire Ignition Temperature (GWIT) of at least 775 deg C per IEC 60695-2-13.. b) A Glow Wire Flammability Index (GWFI) above 850 deg C per IEC 60695-2-12.and hence complies with the requirements set out in the International Standard IEC 60335-1 5th edition - household and similar electrical appliances - safety, section 30 Resistance to heat and fire. <P><P> The customers using this product must determine its suitability for use in their particular application through testing or other acceptable means as described in end-product glow-wire flammability test standard IEC 60695-2-11 and any applicable product end-use standard(s). <P> If it is determined during the customer's evaluation of suitability, that higher performance is required, please contact Molex for possible product options." |
| Overview                    | <a href="#">Micro-Fit 3.0™ Connectors</a>   |
| Product Literature Order No | 987650-5984   |
| Product Name                | Micro-Fit 3.0™  |

**Physical**

|                                |         |
|--------------------------------|---------|
| Breakaway                      | No      |
| Circuits (Loaded)              | 24      |
| Circuits (maximum)             | 24      |
| Color - Resin                  | Black   |
| Durability (mating cycles max) | 30      |
| Flammability                   | 94V-0   |
| Glow-Wire Compliant            | Yes     |
| Mated Height                   | 10.29mm |
| Material - Metal               | Brass   |
| Material - Plating Mating      | Gold    |
| Material - Plating Termination | Tin     |

**EU RoHS** **China RoHS**

**ELV and RoHS Compliant**  
**REACH SVHC Contains SVHC: No**  
**Low-Halogen Status Low-Halogen**



**Need more information on product environmental compliance?**

Email [productcompliance@molex.com](mailto:productcompliance@molex.com)  
 For a multiple part number RoHS Certificate of Compliance, [click here](#)

Please visit the [Contact Us](#) section for any non-product compliance questions.

**Search Parts in this Series**

[43045Series](#)

**Mates With**

[43025](#)

|                                |                                |
|--------------------------------|--------------------------------|
| Material - Resin               | High Temperature Thermoplastic |
| Number of Rows                 | 2                              |
| Orientation                    | Right Angle                    |
| PCB Locator                    | Yes                            |
| PCB Retention                  | Yes                            |
| PCB Thickness - Recommended    | 1.60mm                         |
| Packaging Type                 | Embossed Tape on Reel          |
| Pitch - Mating Interface       | 3.00mm                         |
| Plating min - Mating           | 0.381µm                        |
| Plating min - Termination      | 2.540µm                        |
| Polarized to PCB               | Yes                            |
| Shrouded                       | Fully                          |
| Stackable                      | No                             |
| Surface Mount Compatible (SMC) | N/A                            |
| Temperature Range - Operating  | -40°C to +105°C                |
| Termination Interface: Style   | Surface Mount                  |

### **Electrical**

|                               |      |
|-------------------------------|------|
| Current - Maximum per Contact | 5A   |
| Voltage - Maximum             | 250V |

### **Solder Process Data**

|  |                           |
|--|---------------------------|
| Duration at Max. Process Temperature (seconds) | 30                        |
| Lead-free Process Capability                   | Reflow Capable (SMT only) |
| Max. Cycles at Max. Process Temperature        | 3                         |
| Process Temperature max. C                     | 260                       |

### **Material Info**

### **Reference - Drawing Numbers**

|                       |  |
|-----------------------|--|
| Product Specification | PS-43045, RPS-43045-003, RPS-43045-004 |
| Sales Drawing         | SD-43045-004                           |
| Test Summary          | TS-43045-001, TS-43045-002             |

This document was generated on 03/30/2012

**PLEASE CHECK [WWW.MOLEX.COM](http://WWW.MOLEX.COM) FOR LATEST PART INFORMATION**