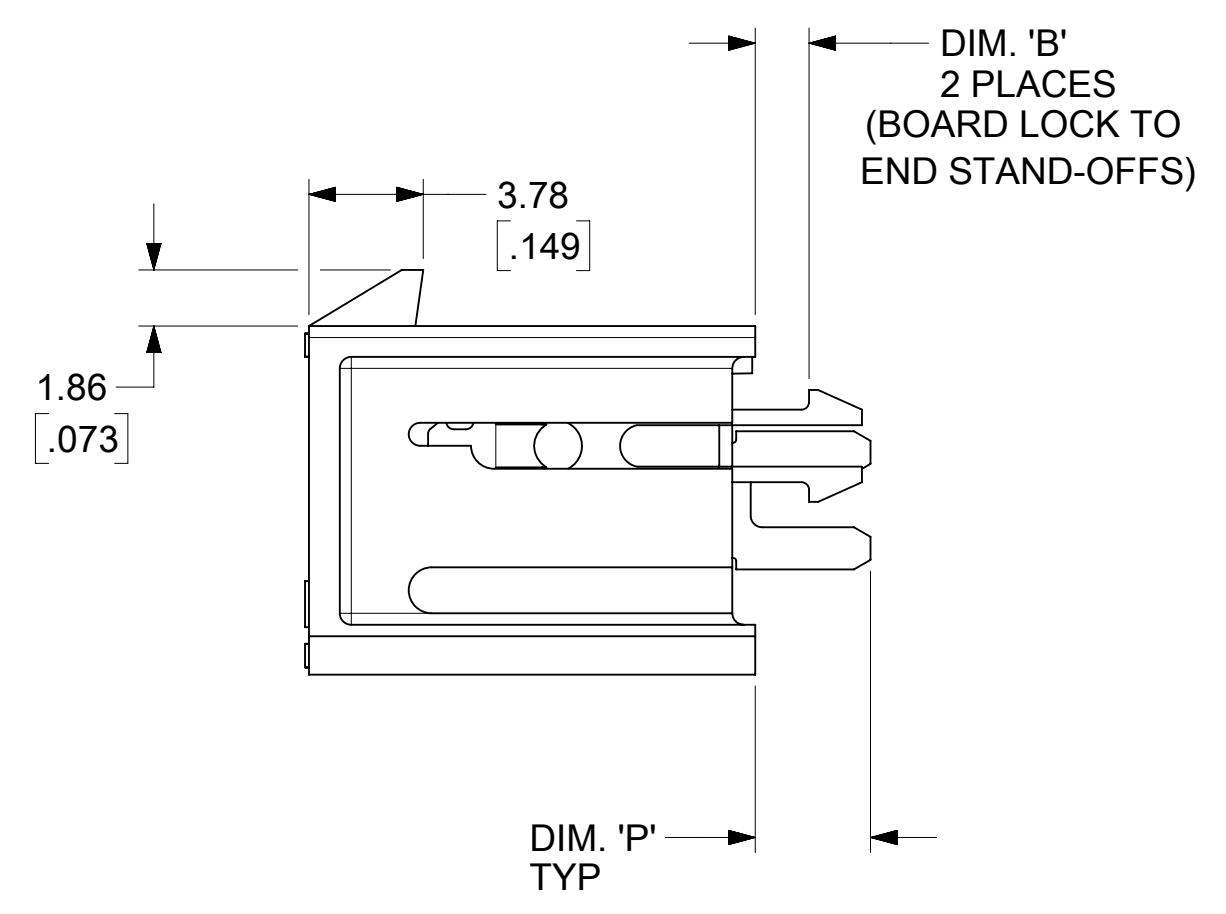
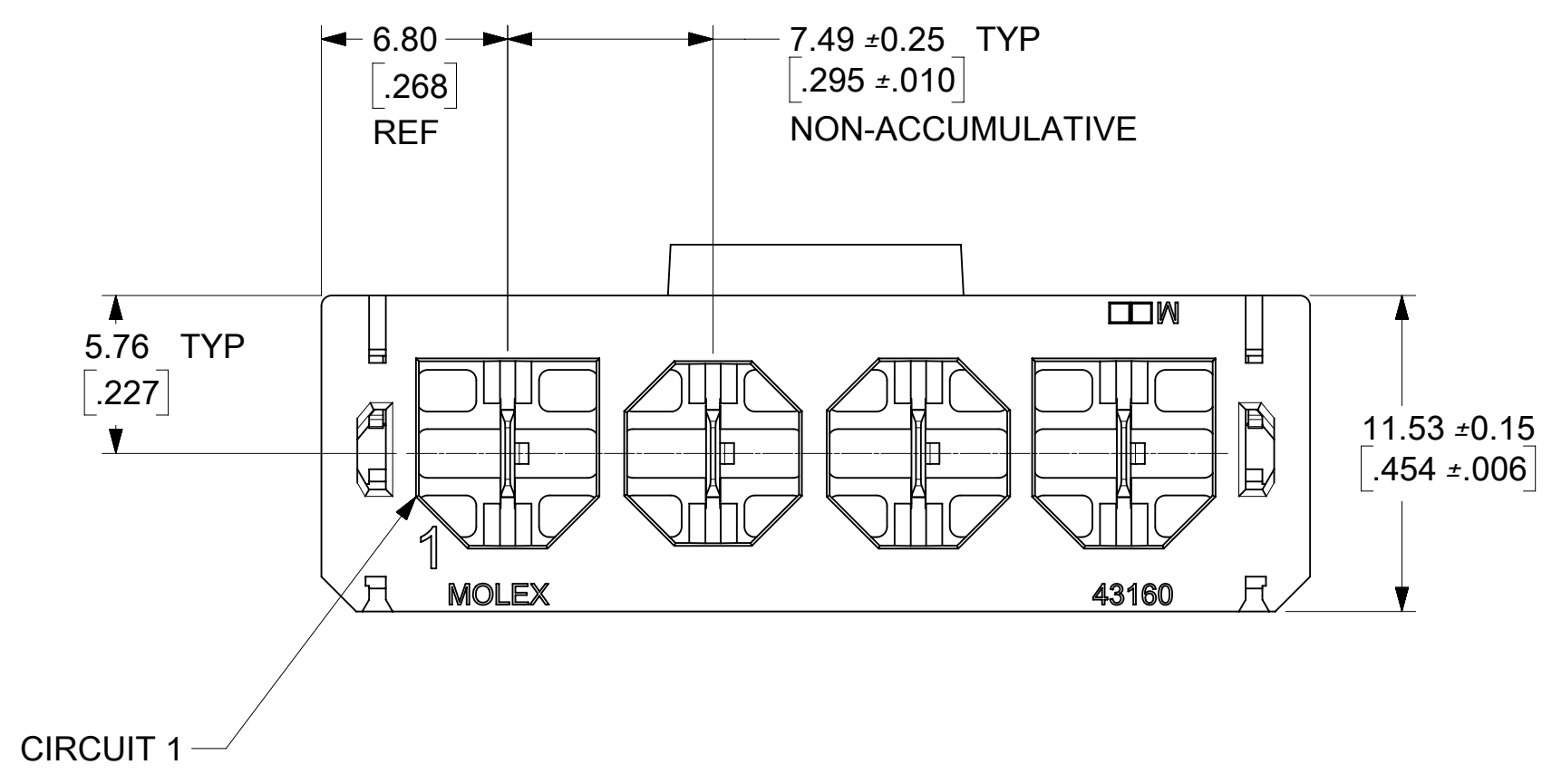
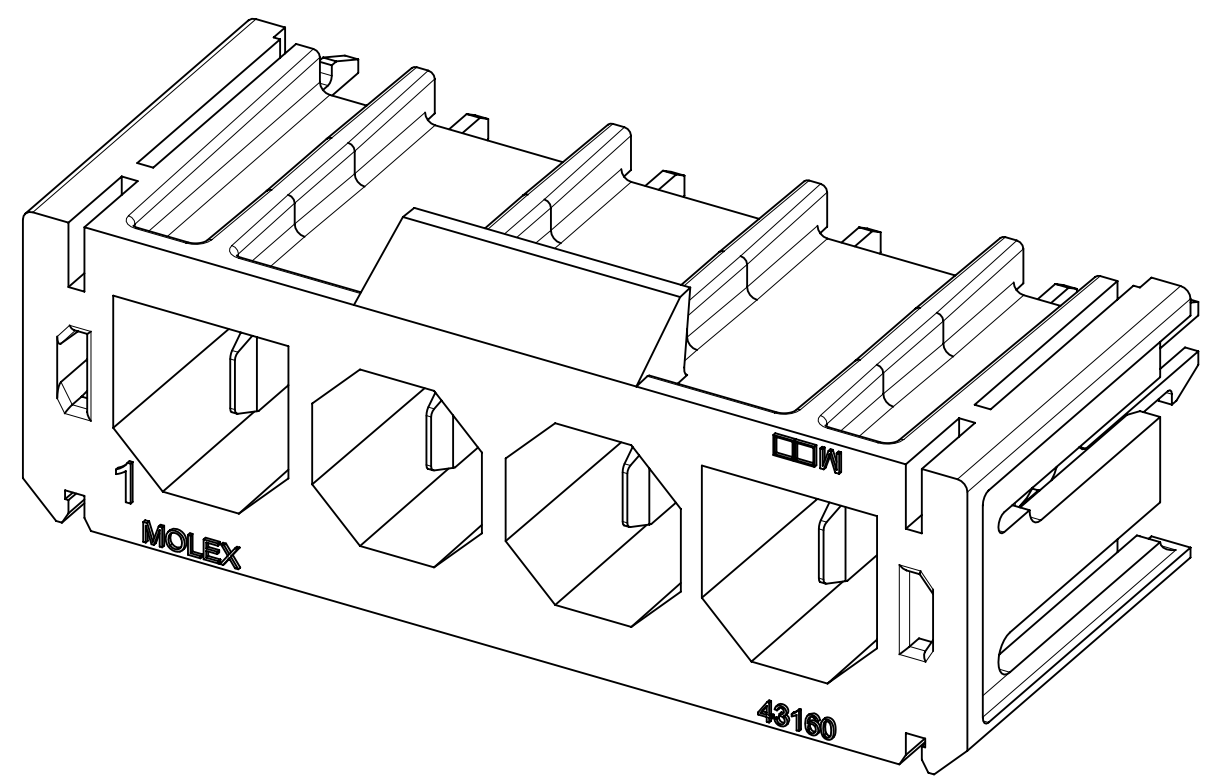
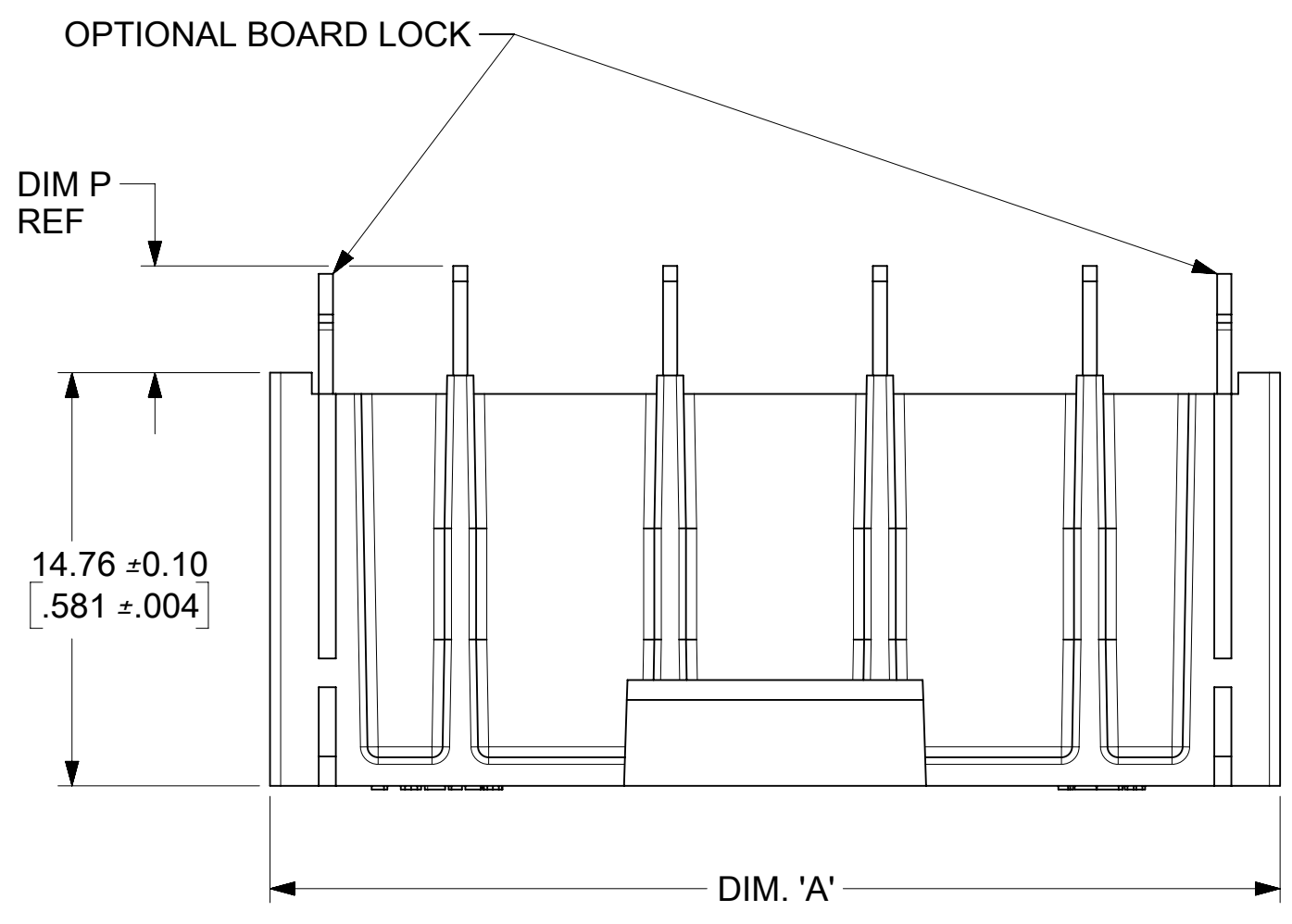


CIRCUITS	DIM. 'A' ± $\frac{0.33}{.013}$
2	$\frac{21.08}{.830}$
3	$\frac{28.58}{1.125}$
4	$\frac{36.07}{1.420}$
5	$\frac{43.56}{1.715}$
6	$\frac{51.05}{2.010}$
8	$\frac{66.04}{2.600}$



SHEETS 1 AND 2: VERTICAL HEADERS
SHEETS 3 AND 4: RIGHT ANGLE HEADERS
SHEET 5: POLARIZATION

- INSULATOR MATERIAL: 30% GLASS FILLED 4/6 NYLON UL94V-0, COLOR: BLACK
TERMINAL MATERIAL : BRASS
- TERMINAL FINISH: OVERALL REFLOWED MATTE TIN: 0.00152/.000060 MIN OVER 0.00127/.000050 MIN NICKEL.
- PRODUCT SPECIFICATION PS-44441-9999.
- PACKAGING: SEE CHART
- THIS HEADER MATES WITH 44441 OR 43335 SERIES RECEPTACLE HOUSINGS.
- THIS PART CONFORMS TO CLASS B REQUIREMENTS OF MOLEX COSMETIC SPECIFICATION PS-45499-002
- TEXT ON PART IS FOR REFERENCE ONLY. TEXT AND TEXT LOCATION MAY VARY DEPENDING ON PART NUMBER AND/OR TOOL.
- PART DESIGNED IN INCHES.

SYMBOLS		THIS DRAWING CONTAINS INFORMATION THAT IS PROPRIETARY TO MOLEX ELECTRONIC TECHNOLOGIES, LLC AND SHOULD NOT BE USED WITHOUT WRITTEN PERMISSION	
$\nabla = 0$	0	DIMENSION UNITS	SCALE
$\nabla = 0$	0	MM/IN	4:1
$\nabla = 0$	0	CURRENT REV DESC: CORRECTED DIMENSION UNITS IN TITLE BLOCK	
$\nabla = 0$	0	GENERAL TOLERANCES (UNLESS SPECIFIED)	
$\nabla = 0$	0		
$\nabla = 0$	0	MM	INCH
$\nabla = 0$	0	4 PLACES ±	±
$\nabla = 0$	0	3 PLACES ±	± 0.005
$\nabla = 0$	0	2 PLACES ±	± 0.13 ± 0.01
$\nabla = 0$	0	1 PLACE ±	± 0.25 ±
$\nabla = 0$	0	0 PLACES ±	±
$\nabla = 0$	0	ANGULAR TOL	± 0.5 °
$\nabla = 0$	0	DRAFT WHERE APPLICABLE MUST REMAIN WITHIN DIMENSIONS	
$\nabla = 0$	0	THIRD ANGLE PROJECTION	DRAWING
$\nabla = 0$	0		SERIES
$\nabla = 0$	0		C-SIZE
$\nabla = 0$	0		43160
		EC NO: 637904	2020/05/19
		DRWN: BZAPPA	2020/05/21
		CHK'D: MKIPPER	2020/05/26
		APPR: FSMITH	
		INITIAL REVISION:	
		DRWN: MKIPPER	2019/09/06
		APPR: FSMITH	2019/09/17
		DOCUMENT NUMBER	DOC TYPE DOC PART REVISION
		431600001-SD	PSD 000 A1
		MATERIAL NUMBER	CUSTOMER
		SEE CHARTS	GENERAL MARKET
			SHEET NUMBER
			1 OF 5

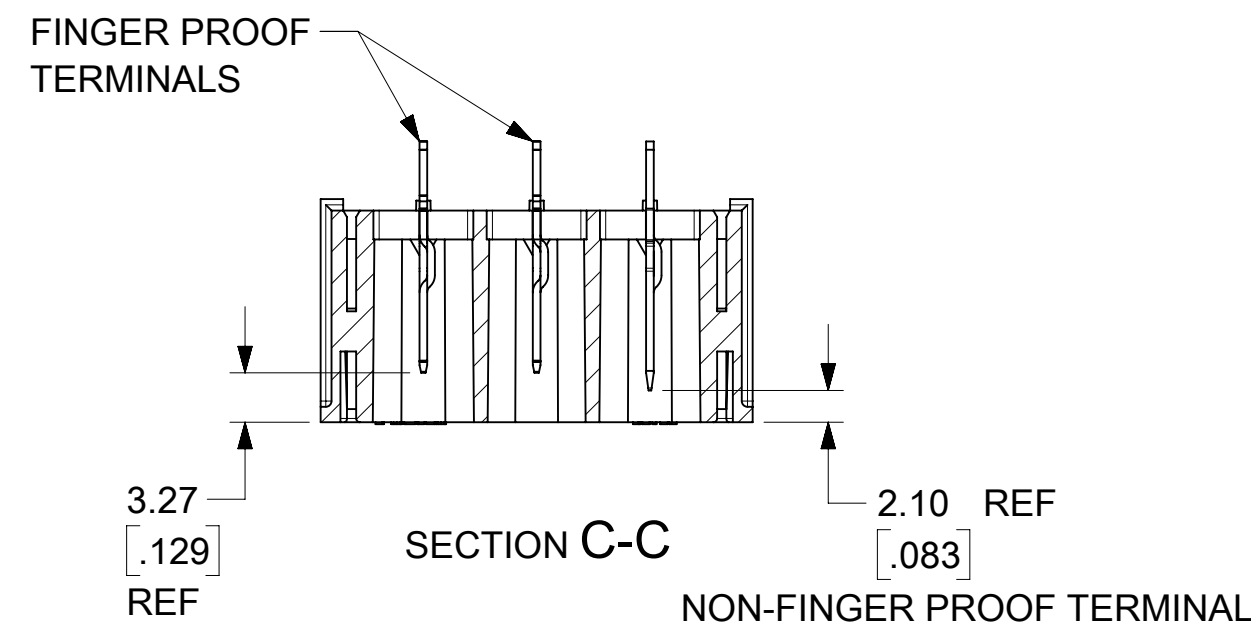
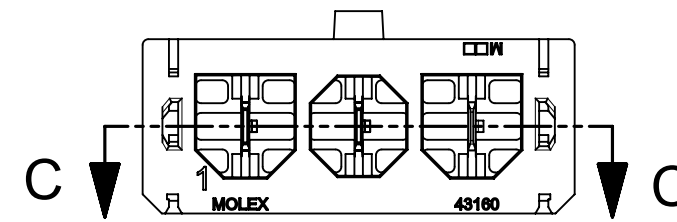
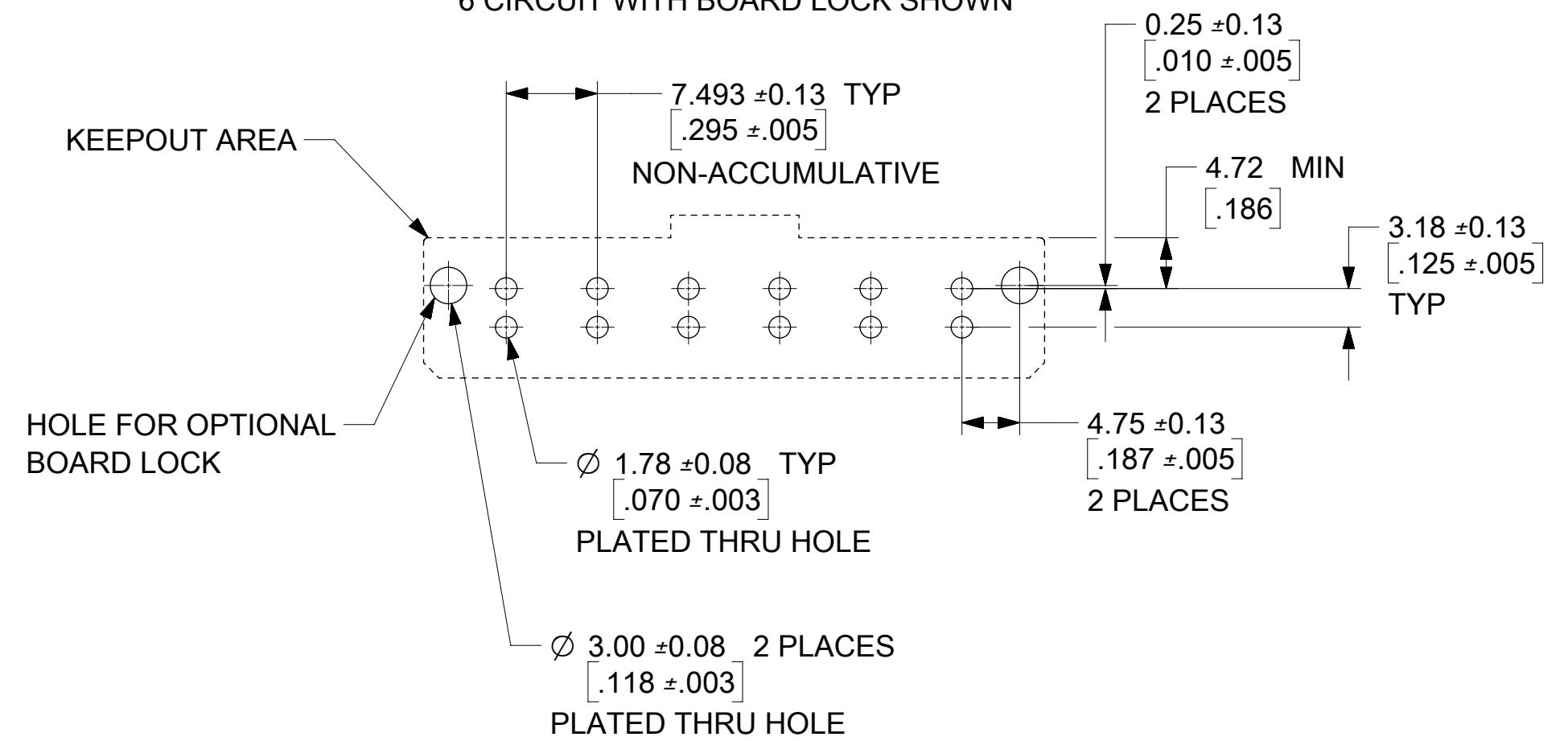
DOCUMENT STATUS	P1	RELEASE DATE	2020/05/26	17:59:01
12	11	10	9	8

THIS DRAWING REPLACES SDA-43160-****

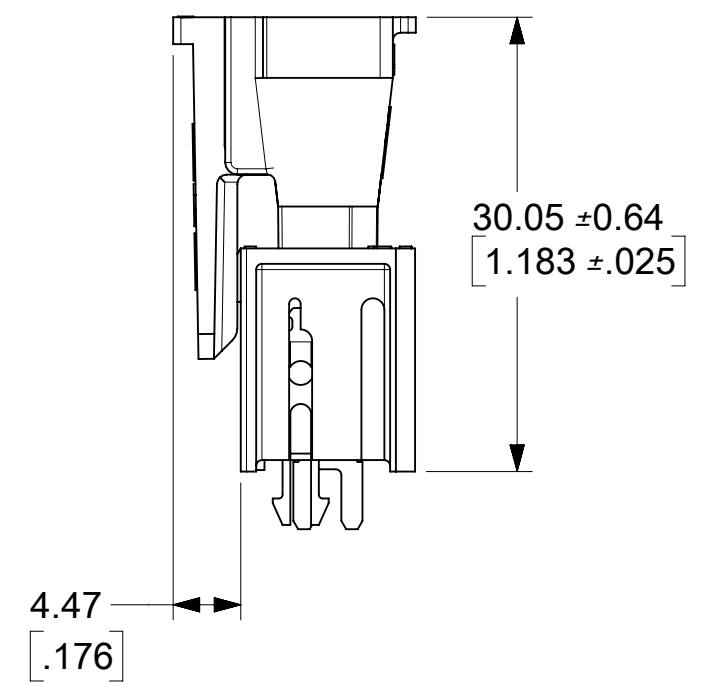
VERTICAL HEADER ASSEMBLIES					
ASSEMBLY PART NO.	CIRCUITS	DIM. 'P' ± $\frac{0.51}{.020}$	BOARD LOCK	DIM. 'B' ± $\frac{0.10}{.004}$	PACKAGING SPEC.
43160-0102	2	3.81/(.150) (SHORT TAIL)	NO	N/A	PK-43160-0010
43160-0103	3				
43160-0104	4				
43160-0105	5				
43160-0106	6				
43160-0108	8				
43160-0302	2	5.33/(.210) (LONG TAIL)	NO	N/A	PK-43789-001
43160-0303	3				
43160-0304	4				
43160-0305	5				
43160-0306	6				
43160-0308	8				
43160-2102	2	3.81/(.150) (SHORT TAIL)	YES	1.78/(.070) FOR 1.57/(.062) PCB	PK-43789-001
43160-2103	3				
43160-2104	4				
43160-2105	5				
43160-2106	6				
43160-2108	8				
43160-4102	2	3.81/(.150) (SHORT TAIL)	YES	2.59/(.102) FOR 2.39/(.094) PCB	PK-43789-001
43160-4103	3				
43160-4104	4				
43160-4105	5				
43160-4106	6				
43160-4108	8				
43160-4302	2	5.33/(.210) (LONG TAIL)	YES	2.59/(.102) FOR 2.39/(.094) PCB	PK-43789-001
43160-4303	3				
43160-4304	4				
43160-4305	5				
43160-4306	6				
43160-4308	8				
43160-6302	2	5.33/(.210) (LONG TAIL)	YES	3.38/(.133) FOR 3.18/(.125) PCB	PK-43789-001
43160-6303	3				
43160-6304	4				
43160-6305	5				
43160-6306	6				
43160-6308	8				
ASSEMBLY PART NO.	CIRCUITS	DIM. 'P'	BOARD LOCK	DIM. 'B'	PACKAGING SPEC.

RECOMMENDED P.C. BOARD LAYOUT FOR VERTICAL HEADERS

6 CIRCUIT WITH BOARD LOCK SHOWN



HEADER WITH OPTIONAL FINGER PROOF TERMINAL
43160-9002 SHOWN



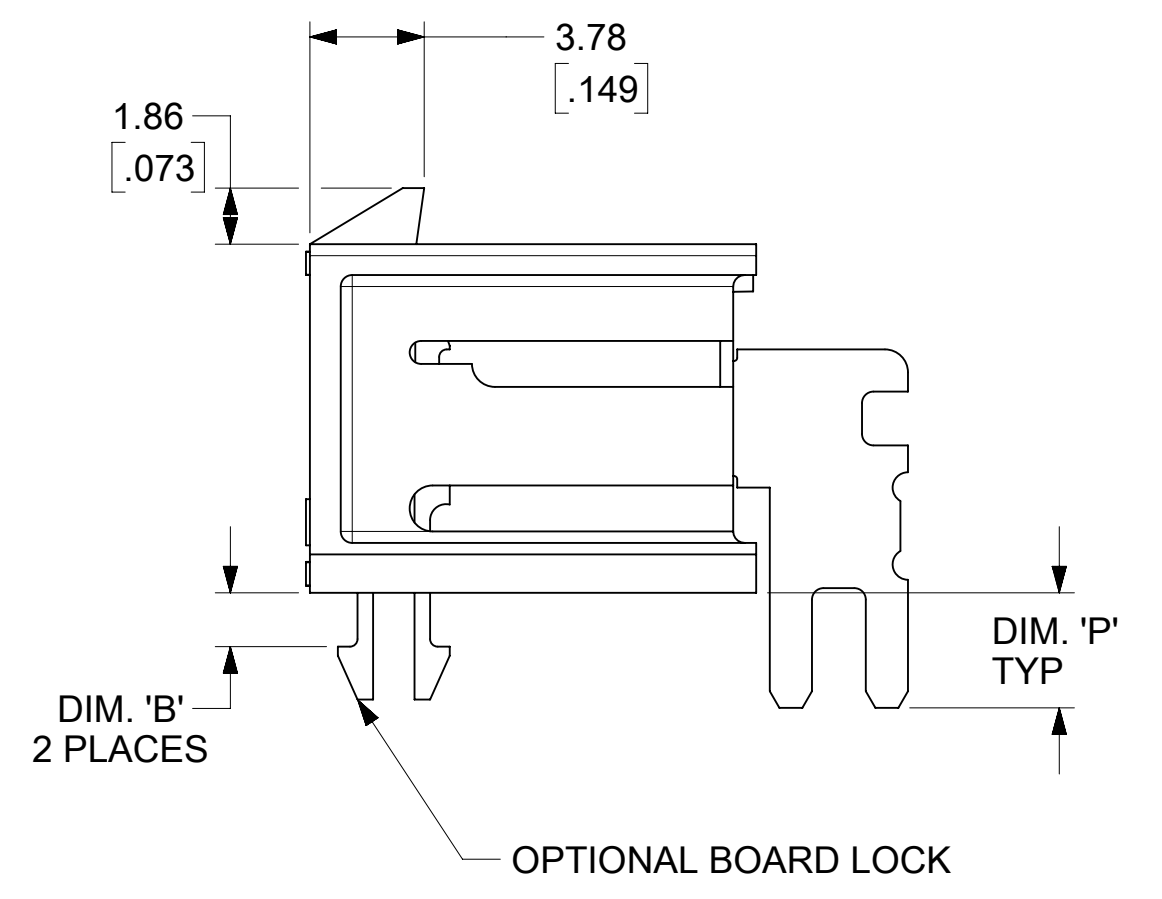
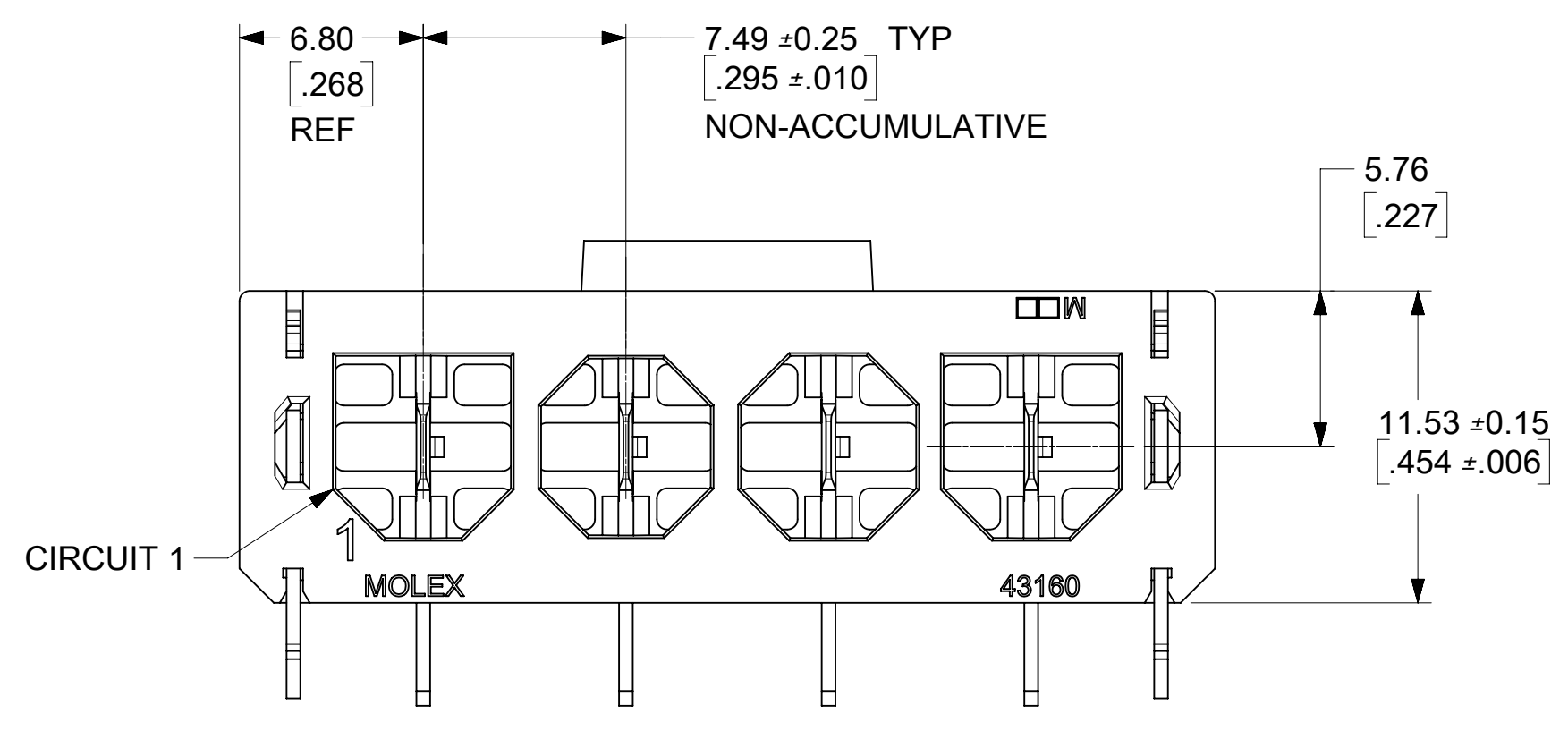
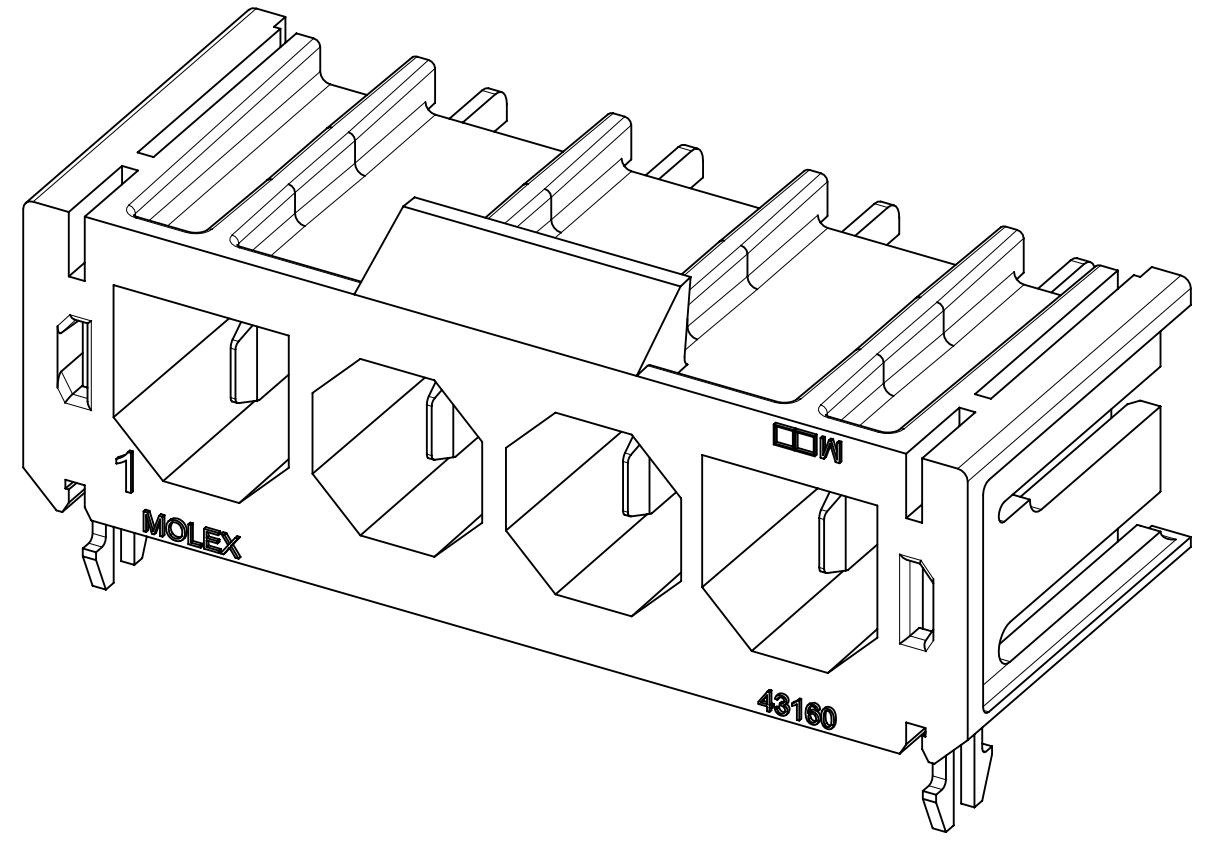
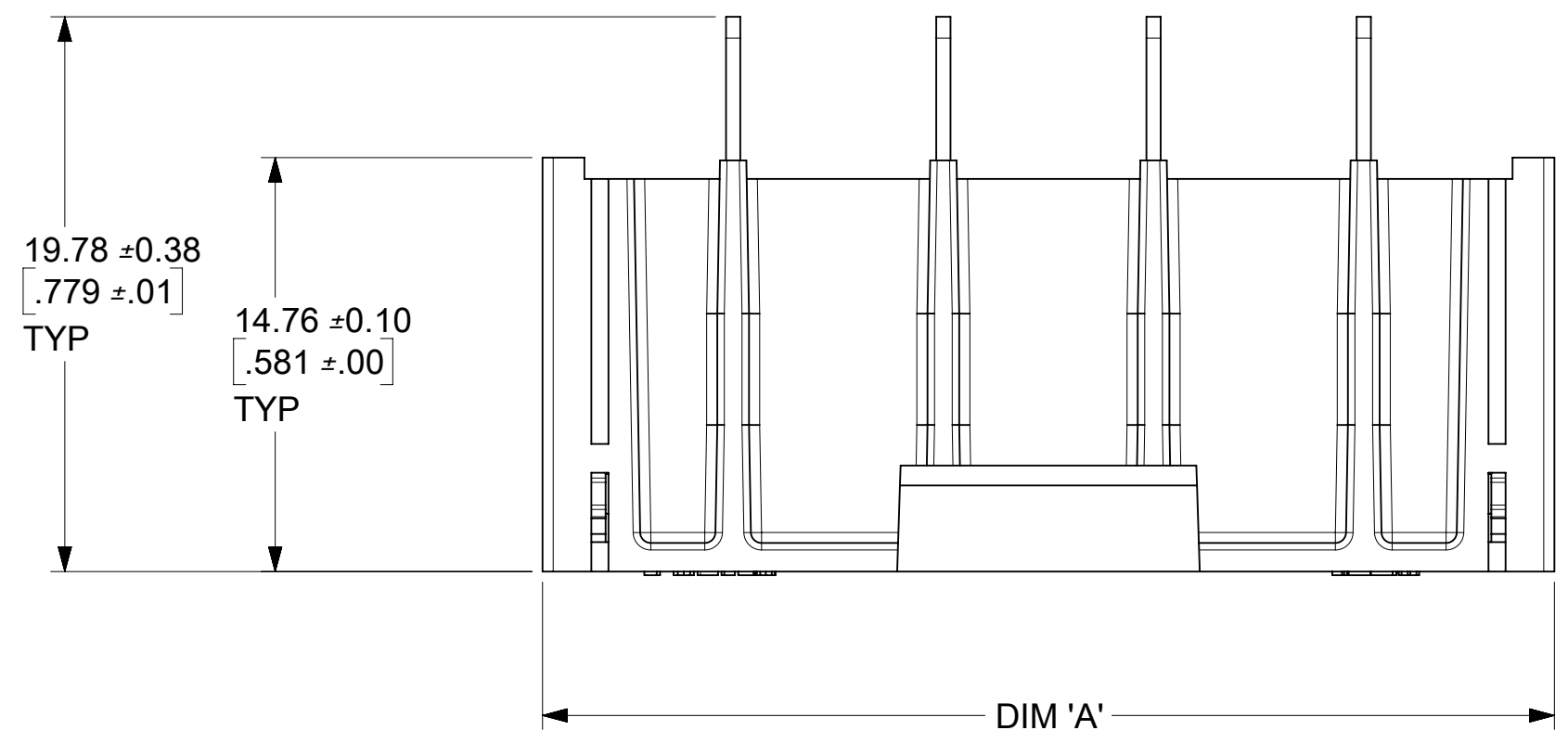
MATED DIMENSIONS
VERTICAL HEADERS

FINGER PROOF VERTICAL HEADER ASSEMBLIES

ASSEMBLY PART NO.	CIRCUITS	FINGER PROOF TERMINAL CIRCUIT(S)	DIM. 'P' ± $\frac{0.51}{.020}$	BOARD LOCK	DIM. 'B' ± $\frac{0.10}{.004}$	PACKAGING SPEC.
43160-9002	3	1, 2	3.81/(.150) (SHORT TAIL)	NO	N/A	PK-43160-0010

SYMBOLS	THIS DRAWING CONTAINS INFORMATION THAT IS PROPRIETARY TO MOLEX ELECTRONIC TECHNOLOGIES, LLC AND SHOULD NOT BE USED WITHOUT WRITTEN PERMISSION		CURRENT REV DESC: CORRECTED		molex
	MM/IN	SCALE 2:1	DIMENSION UNITS IN TITLE BLOCK		
▽ = 0	GENERAL TOLERANCES (UNLESS SPECIFIED)		EC NO: 637904		SABRE HEADER ASSEMBLY 2-6 & 8 CIRCUIT .125/(3.18) X .020/(0.51)
▽ = 0			DRWN: BZAPPA 2020/05/19		
▽ = 0			CHK'D: MKIPPER 2020/05/21		
▽ = 0			APPR: FSMITH 2020/05/26		
▽ = 0			INITIAL REVISION:		
▽ = 0			DRWN: MKIPPER 2019/09/06		
▽ = 0			APPR: FSMITH 2019/09/17		
▽ = 0			ANGULAR TOL ± 0.5°		
▽ = 0	DRAFT WHERE APPLICABLE MUST REMAIN WITHIN DIMENSIONS		THIRD ANGLE PROJECTION	DRAWING C-SIZE	SERIES 43160
▽ = 0			DOCUMENT NUMBER 431600001-SD		DOC TYPE PSD
				DOC PART 000	
				REVISION A1	
DOCUMENT STATUS P1		RELEASE DATE 2020/05/26 17:59:01	MATERIAL NUMBER SEE CHARTS		CUSTOMER GENERAL MARKET
				SHEET NUMBER 2 OF 5	

CIRCUITS	DIM. 'A' ±	0.33 .013
2	21.08	.830
3	28.58	1.125
4	36.07	1.420
5	43.56	1.715
6	51.05	2.010
8	66.04	2.600

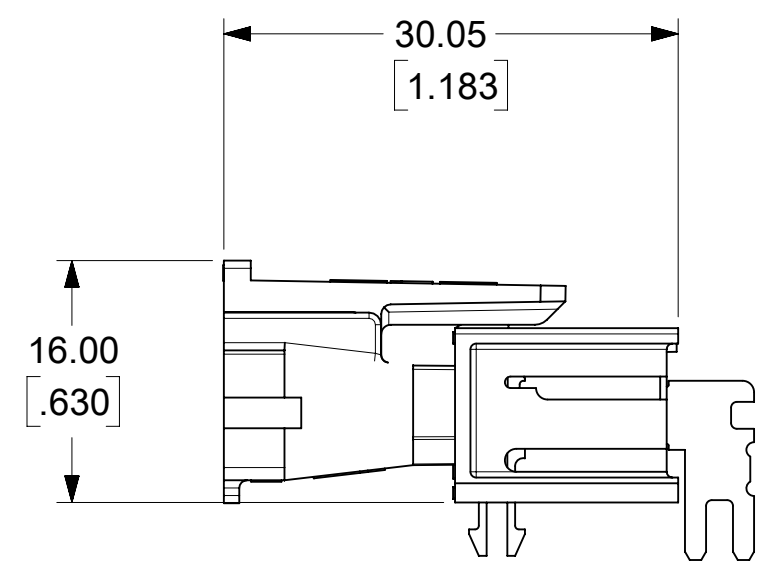
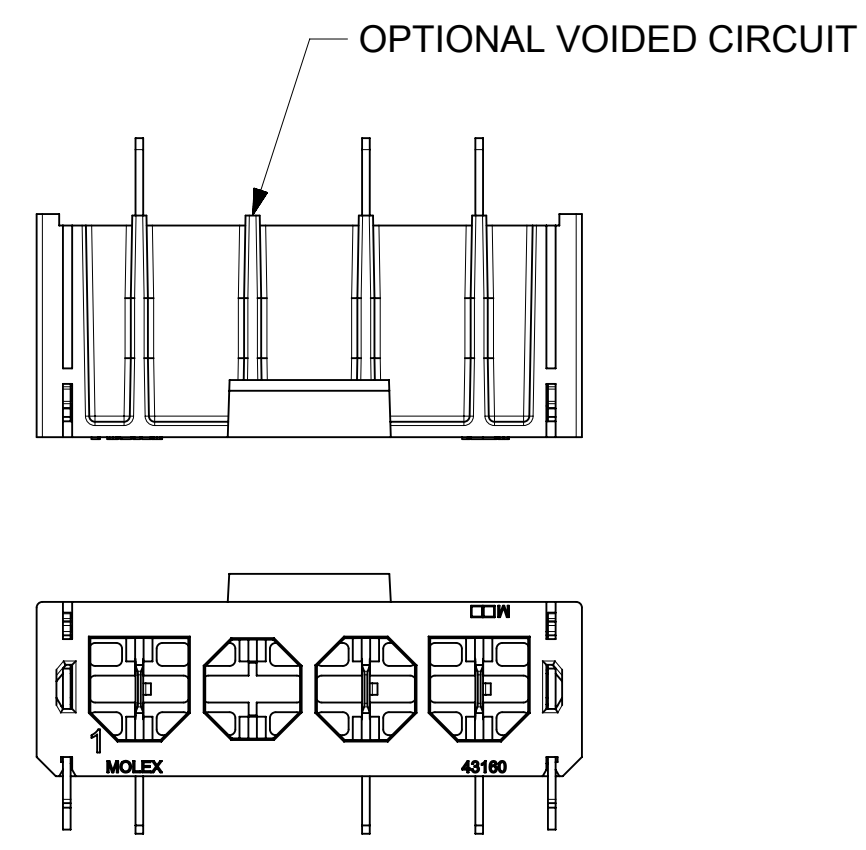
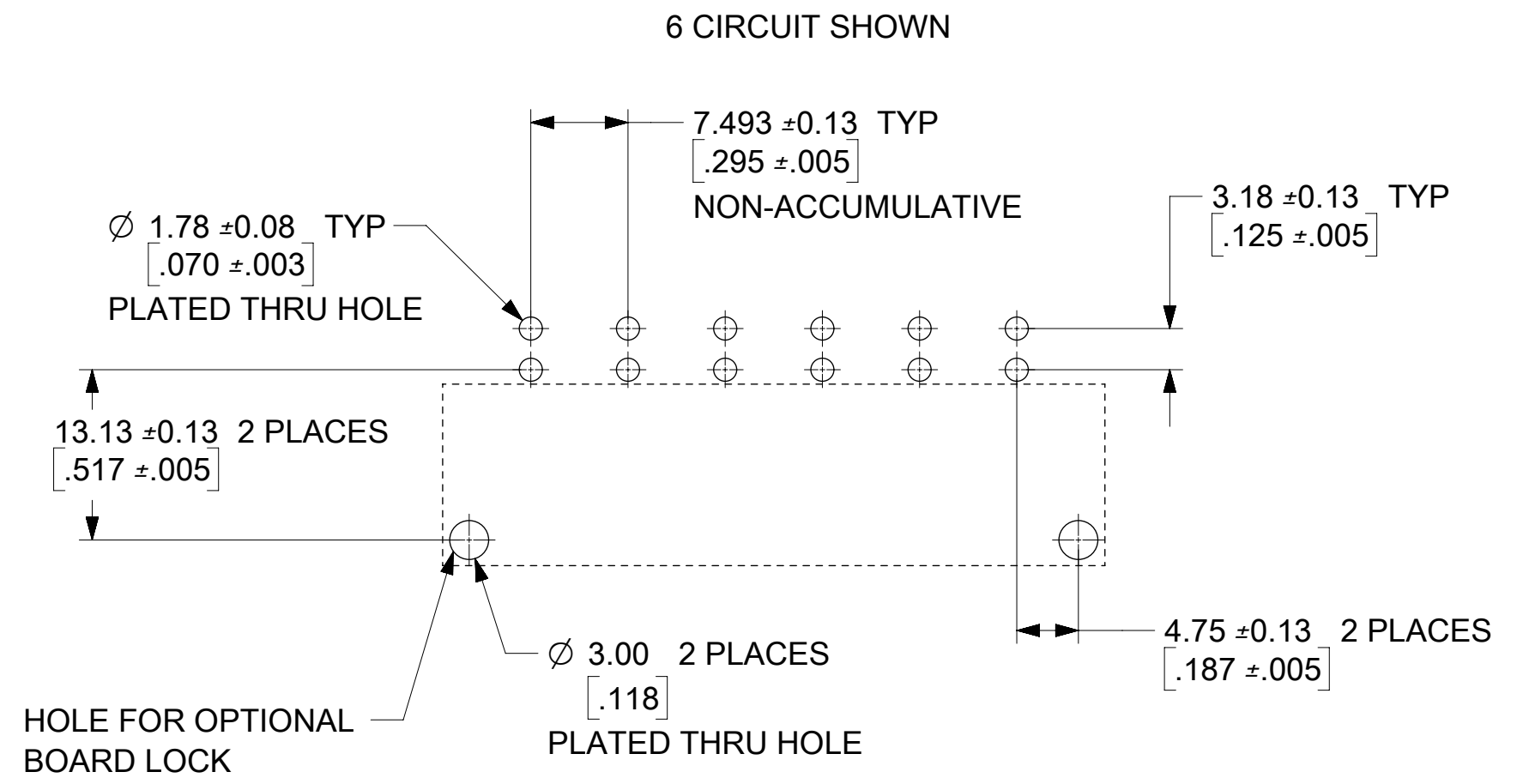


SYMBOLS	THIS DRAWING CONTAINS INFORMATION THAT IS PROPRIETARY TO MOLEX ELECTRONIC TECHNOLOGIES, LLC AND SHOULD NOT BE USED WITHOUT WRITTEN PERMISSION														
	DIMENSION UNITS		SCALE		CURRENT REV DESC: CORRECTED DIMENSION UNITS IN TITLE BLOCK										
∇ = 0	MM/IN	4:1		GENERAL TOLERANCES (UNLESS SPECIFIED)		EC NO: 637904				DOCUMENT NUMBER			DOC TYPE	DOC PART	REVISION
∇ = 0						4 PLACES ±		DRWN: BZAPPA		2020/05/19		PRODUCT CUSTOMER DRAWING			
∇ = 0						3 PLACES ±		CHK'D: MKIPPER		2020/05/21		431600001-SD			
∇ = 0						2 PLACES ± 0.13 ± 0.01		APPR: FSMITH		2020/05/26		PSD 000 A1			
∇ = 0						1 PLACE ± 0.25 ±		INITIAL REVISION:				MATERIAL NUMBER			
∇ = 0						0 PLACES ±		DRWN: MKIPPER		2019/09/06		CUSTOMER			
∇ = 0						ANGULAR TOL ± 0.5 °		APPR: FSMITH		2019/09/17		GENERAL MARKET			
∇ = 0	DRAFT WHERE APPLICABLE MUST REMAIN WITHIN DIMENSIONS			THIRD ANGLE PROJECTION		DRAWING		SERIES		C-SIZE		43160		SHEET NUMBER	
∇ = 0												SEE CHARTS		3 OF 5	

DOCUMENT STATUS	P1	RELEASE DATE	2020/05/26	17:59:01
-----------------	----	--------------	------------	----------

RIGHT ANGLE HEADER ASSEMBLIES					
ASSEMBLY PART NO.	CIRCUITS	DIM. 'P' ± $\frac{0.28}{.011}$	BOARD LOCK	DIM. 'B' ± $\frac{0.10}{.004}$	PACKAGING SPEC.
43160-1102	2	3.81/(.150) (SHORT TAIL)	NO	N/A	PK-43160-0010
43160-1103	3				
43160-1104	4				
43160-1105	5				
43160-1106	6				
43160-1108	8				
43160-1302	2	5.33/(.210) (LONG TAIL)	NO	N/A	PK-43789-001
43160-1303	3				
43160-1304	4				
43160-1305	5				
43160-1306	6				
43160-1308	8				
43160-3102	2	3.81/(.150) (SHORT TAIL)	YES	1.78/(.070) FOR 1.57/(.062) PCB	PK-43789-001
43160-3103	3				
43160-3104	4				
43160-3105	5				
43160-3106	6				
43160-3108	8				
43160-5102	2	3.81/(.150) (SHORT TAIL)	YES	2.59/(.102) FOR 2.39/(.094) PCB	PK-43789-001
43160-5103	3				
43160-5104	4				
43160-5105	5				
43160-5106	6				
43160-5108	8				
43160-5302	2	5.33/(.210) (LONG TAIL)	YES	2.59/(.102) FOR 2.39/(.094) PCB	PK-43789-001
43160-5303	3				
43160-5304	4				
43160-5305	5				
43160-5306	6				
43160-5308	8				
43160-7302	2	5.33/(.210) (LONG TAIL)	YES	3.38/(.133) FOR 3.18/(.125) PCB	PK-43789-001
43160-7303	3				
43160-7304	4				
43160-7305	5				
43160-7306	6				
43160-7308	8				
ASSEMBLY PART NO.	CIRCUITS	DIM. 'P'	BOARD LOCK	DIM. 'B'	PACKAGING SPEC.

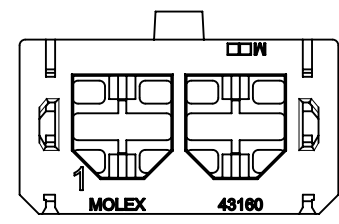
RECOMMENDED P.C. BOARD LAYOUT FOR RIGHT ANGLE HEADERS



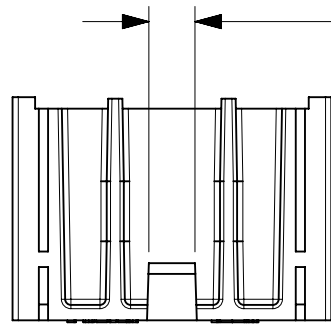
MATED DIMENSIONS RIGHT ANGLE HEADERS

RIGHT ANGLE HEADER ASSEMBLIES WITH VOIDED TERMINALS						
ASSEMBLY PART NO.	CIRCUITS	DIM. 'P' ± $\frac{0.28}{.011}$	BOARD LOCK	DIM. 'B' ± $\frac{0.10}{.004}$	PACKAGING SPEC.	VOID CIRCUIT(S)
43160-9001	4	3.81/(.150)	YES	1.78/(.070) FOR 1.57/(.062) PCB	PK-43789-001	2
43160-9003	5	(SHORT TAIL)				2, 4

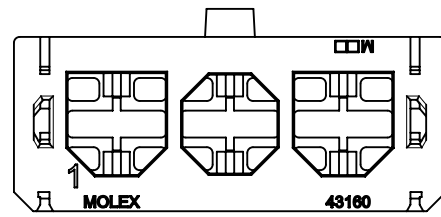
SYMBOLS A = 0 E = 0 F = 0 S = 0 T = 0 V = 0 W = 0 X = 0 Y = 0 Z = 0	THIS DRAWING CONTAINS INFORMATION THAT IS PROPRIETARY TO MOLEX ELECTRONIC TECHNOLOGIES, LLC AND SHOULD NOT BE USED WITHOUT WRITTEN PERMISSION		DIMENSION UNITS: MM/IN SCALE: 2:1		CURRENT REV DESC: CORRECTED DIMENSION UNITS IN TITLE BLOCK				
	GENERAL TOLERANCES (UNLESS SPECIFIED)		EC NO: 637904 DRWN: BZAPPA 2020/05/19 CHK'D: MKIPPER 2020/05/21 APPR: FSMITH 2020/05/26		SABRE HEADER ASSEMBLY 2-6 & 8 CIRCUIT .125/(3.18) X .020/(0.51)				
4 PLACES ± ± 3 PLACES ± ± 0.005 2 PLACES ± 0.13 ± 0.01 1 PLACE ± 0.25 ± 0 PLACES ± ± ANGULAR TOL ± 0.5°		DRAFT WHERE APPLICABLE MUST REMAIN WITHIN DIMENSIONS		THIRD ANGLE PROJECTION 		DRAWING: C-SIZE SERIES: 43160		PRODUCT CUSTOMER DRAWING DOCUMENT NUMBER: 431600001-SD DOC TYPE: PSD DOC PART: 000 REVISION: A1	
MATERIAL NUMBER: SEE CHARTS		CUSTOMER: GENERAL MARKET		SHEET NUMBER: 4 OF 5					



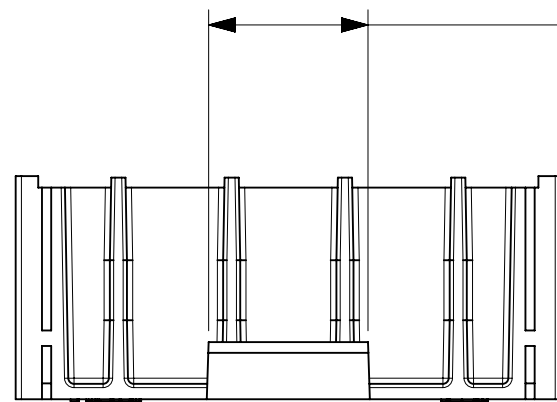
2 CIRCUITS



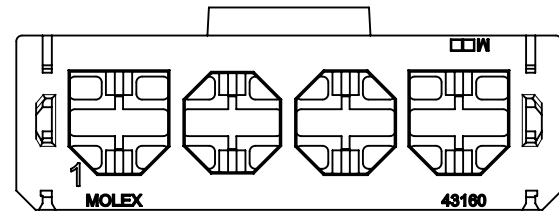
3.05
 .120
 2 AND 3 CIRCUIT



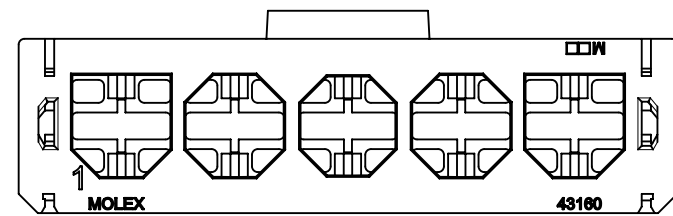
3 CIRCUITS



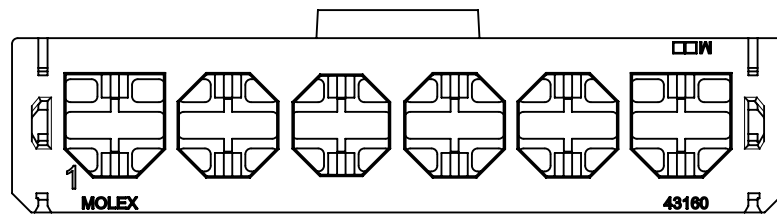
10.54
 .415
 4 CIRCUIT AND UP



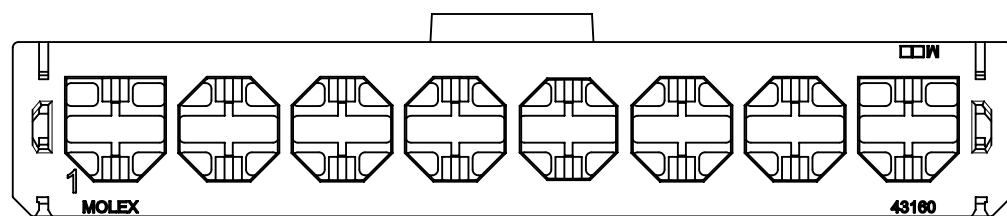
4 CIRCUITS



5 CIRCUITS



6 CIRCUITS



8 CIRCUITS

POLARIZATION

SYMBOLS	THIS DRAWING CONTAINS INFORMATION THAT IS PROPRIETARY TO MOLEX ELECTRONIC TECHNOLOGIES, LLC AND SHOULD NOT BE USED WITHOUT WRITTEN PERMISSION				
	DIMENSION UNITS	SCALE		CURRENT REV DESC: CORRECTED	
∇ = 0	MM/IN	2:1		DIMENSION UNITS IN TITLE BLOCK	
∇ = 0	GENERAL TOLERANCES (UNLESS SPECIFIED)				
∇ = 0		MM	INCH	EC NO: 637904	
∇ = 0	4 PLACES	±	±	DRWN: BZAPPA	2020/05/19
∇ = 0	3 PLACES	±	± 0.005	CHK'D: MKIPPER	2020/05/21
∇ = 0	2 PLACES	± 0.13	± 0.01	APPR: FSMITH	2020/05/26
∇ = 0	1 PLACE	± 0.25	±	INITIAL REVISION:	
∇ = 0	0 PLACES	±	±	DRWN: MKIPPER	2019/09/06
∇ = 0	ANGULAR TOL	± 0.5 °		APPR: FSMITH	2019/09/17
∇ = 0	DRAFT WHERE APPLICABLE MUST REMAIN WITHIN DIMENSIONS		THIRD ANGLE PROJECTION	DRAWING	SERIES
∇ = 0				C-SIZE	43160
DOCUMENT STATUS			P1		RELEASE DATE
2020/05/26			17:59:01		
DOCUMENT NUMBER			DOC TYPE		DOC PART
431600001-SD			PSD		000
MATERIAL NUMBER			CUSTOMER		SHEET NUMBER
SEE CHARTS			GENERAL MARKET		5 OF 5