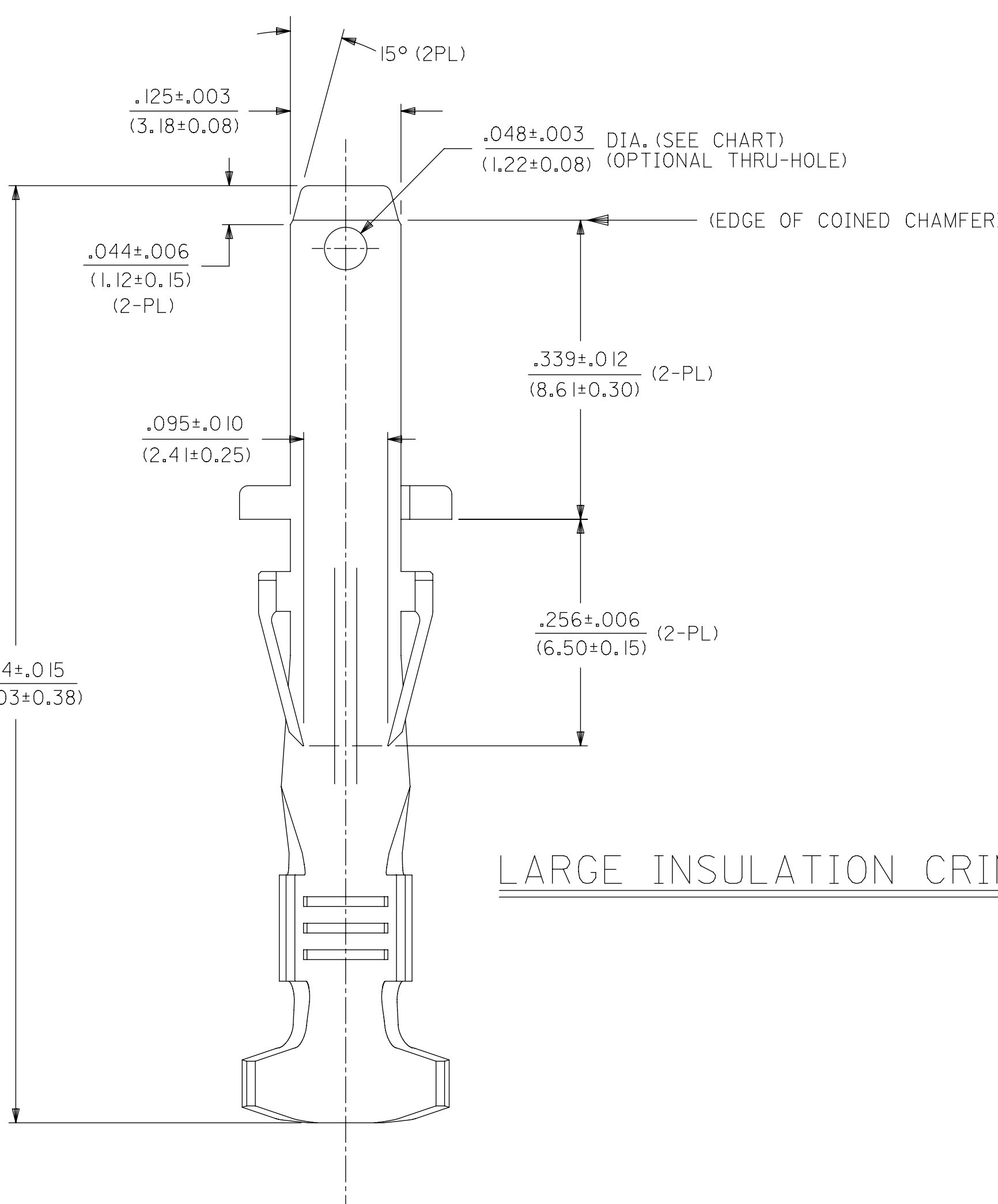
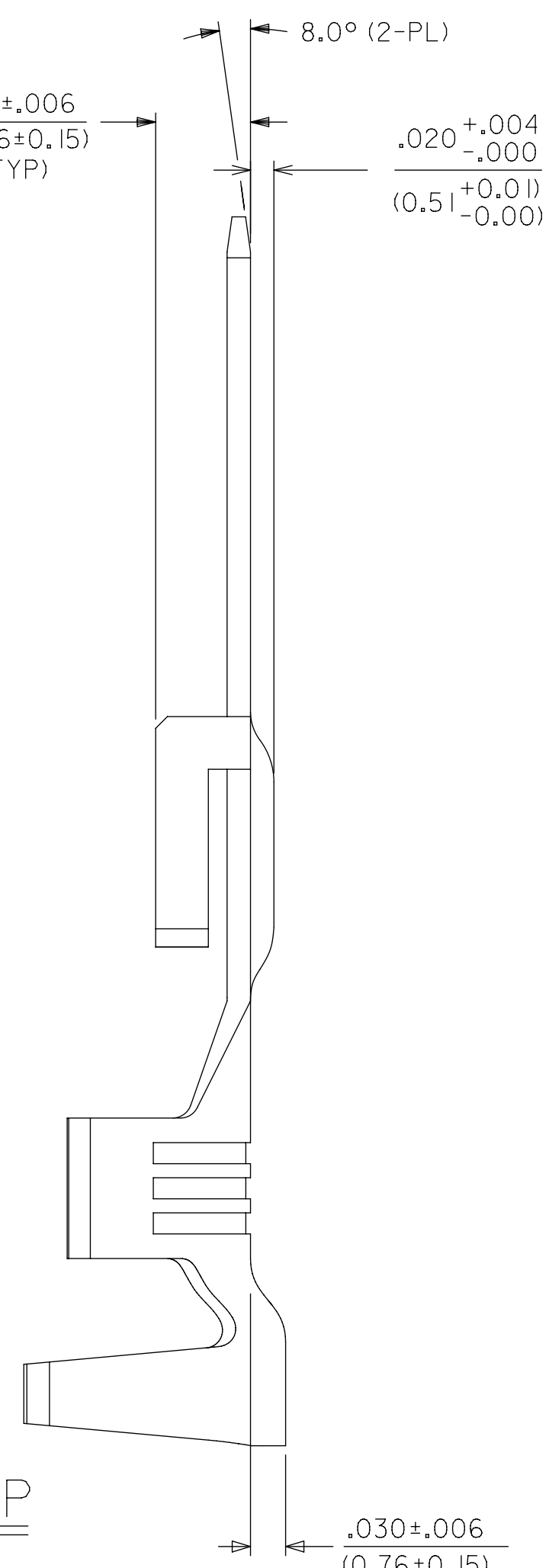
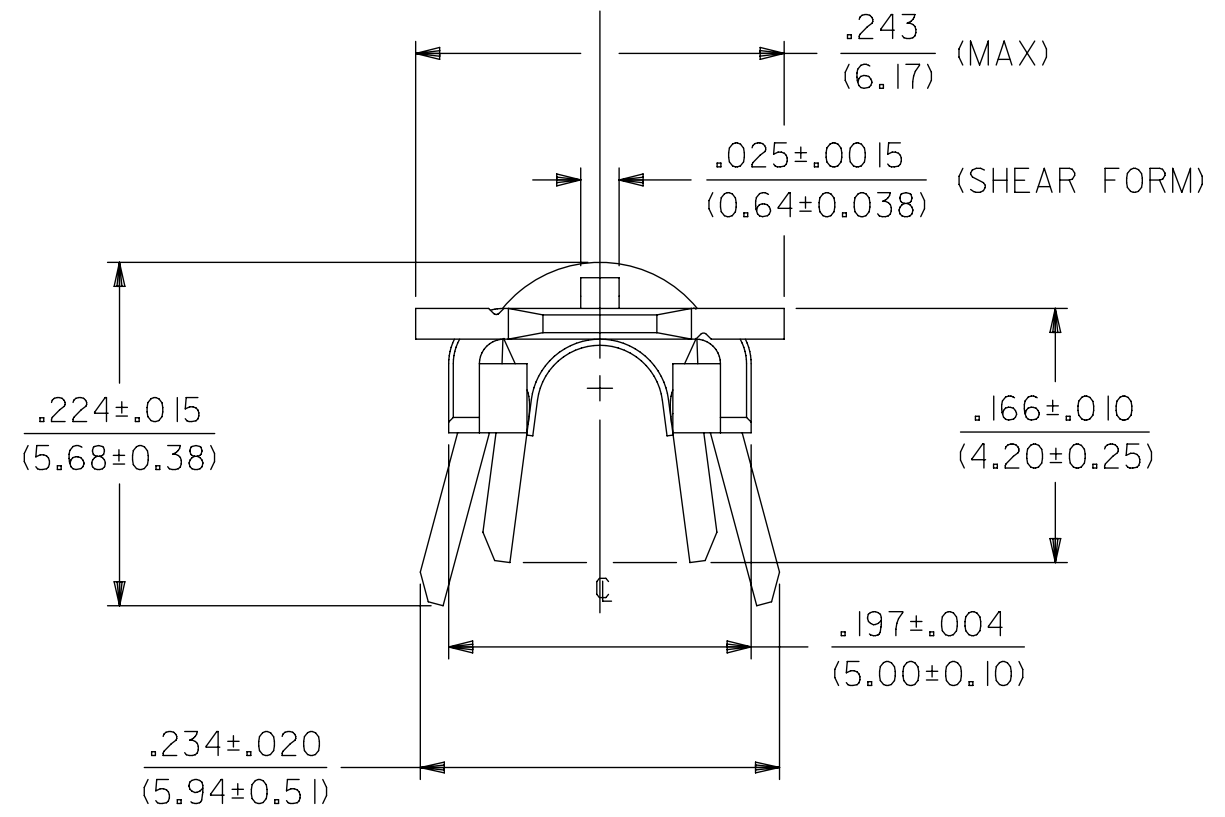


MATERIAL NUMBER	FINISH	HOLE
43178-2001	999	NOT USED
43178-2002	H901	NOT USED



LARGE INSULATION CRIMP

- NOTES:**
1. MATERIAL: BRASS
  2. FINISH:  
999 - UNPLATED  
H901 - 20 MICROINCH MIN. HOT TIN DIP
  3. PRODUCT SPECIFICATION: PS-44441-9999
  4. PACKAGING SPECIFICATION: 431780000-PK
  5. TERMINAL FOR USE IN 43680 SERIES HOUSINGS
  6. TERMINAL FOR USE WITH A SINGLE 14-16 AWG OR DOUBLE 18+20 AWG, UL 1007 OR OR 1015 STYLE WIRE.
  7. PARTS CONFORM TO CLASS "B" REQUIREMENTS OF COSMETIC SPECIFICATIONS PS-45499-002

SYMBOLS	THIS DRAWING CONTAINS INFORMATION THAT IS PROPRIETARY TO MOLEX ELECTRONIC TECHNOLOGIES, LLC AND SHOULD NOT BE USED WITHOUT WRITTEN PERMISSION		CURRENT REV / DESC: ADD NOTES					
	DIMENSION UNITS	SCALE						
∇ = 0	IN/MM	8:1			<b>TERMINAL, CRIMP MALE TAB</b> .125/(3.18)X.020/(0.51) SABRE - F.B.S. - TPA			
∇ = 0	GENERAL TOLERANCES (UNLESS SPECIFIED)							
∇ = 0		MM	INCH			<b>PRODUCT CUSTOMER DRAWING</b> DOCUMENT NUMBER: <b>SD-43178-2XXX</b>   DOC TYPE: PSD   DOC PART: 001   REVISION: C5		
S = 0	4 PLACES	±	±					
∇ = 0	3 PLACES	±	± 0.01			MATERIAL NUMBER: SEE TABLE   CUSTOMER: WHIRLPOOL   SHEET NUMBER: 1 OF 1		
∇ = 0	2 PLACES	± 0.25	± 0.014					
∇ = 0	1 PLACE	± 0.35	±			EC NO: 617584   DRWN: JEHRISMAN   2019/04/02 CHK'D: MKIPPER   2019/06/13 APPR: FSMITH   2019/06/18 INITIAL REVISION: DRWN: KBP   1995/06/19 APPR: FSMITH   1995/06/19		
∇ = 0	0 PLACES	±	±					
∇ = 0	ANGULAR TOL	± 0.5°				THIRD ANGLE PROJECTION:    DRAWING: C-SIZE   SERIES: 43178		
∇ = 0	DRAFT WHERE APPLICABLE MUST REMAIN WITHIN DIMENSIONS							