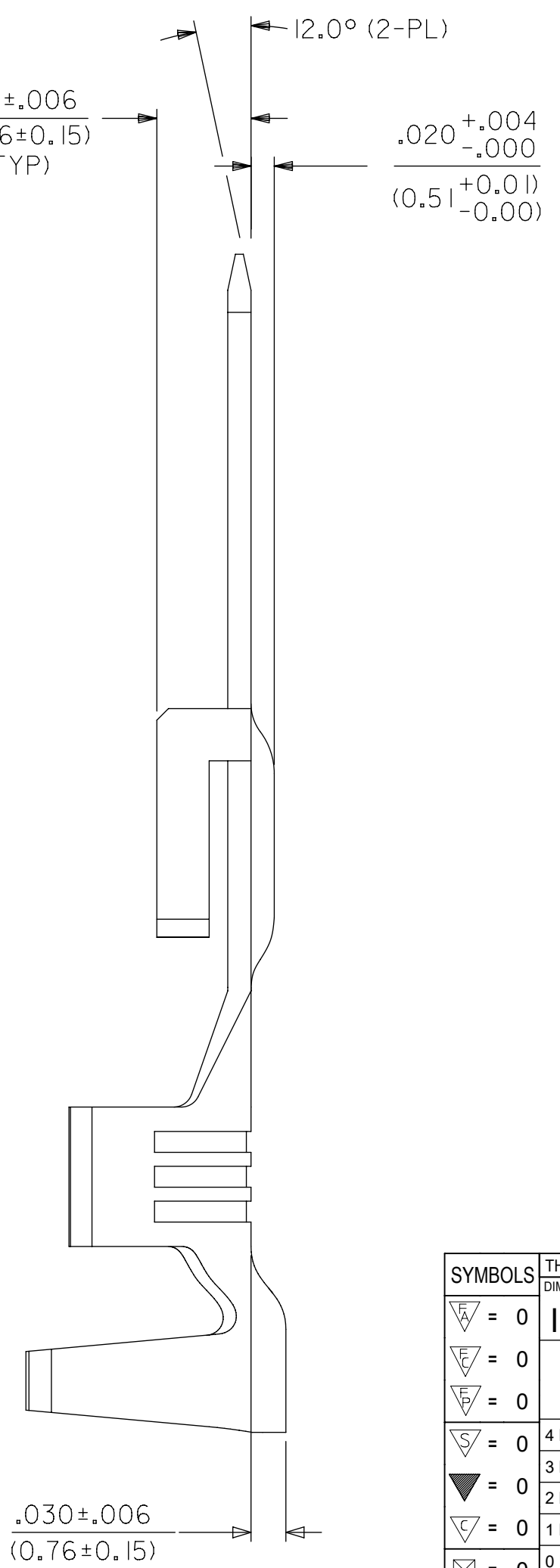
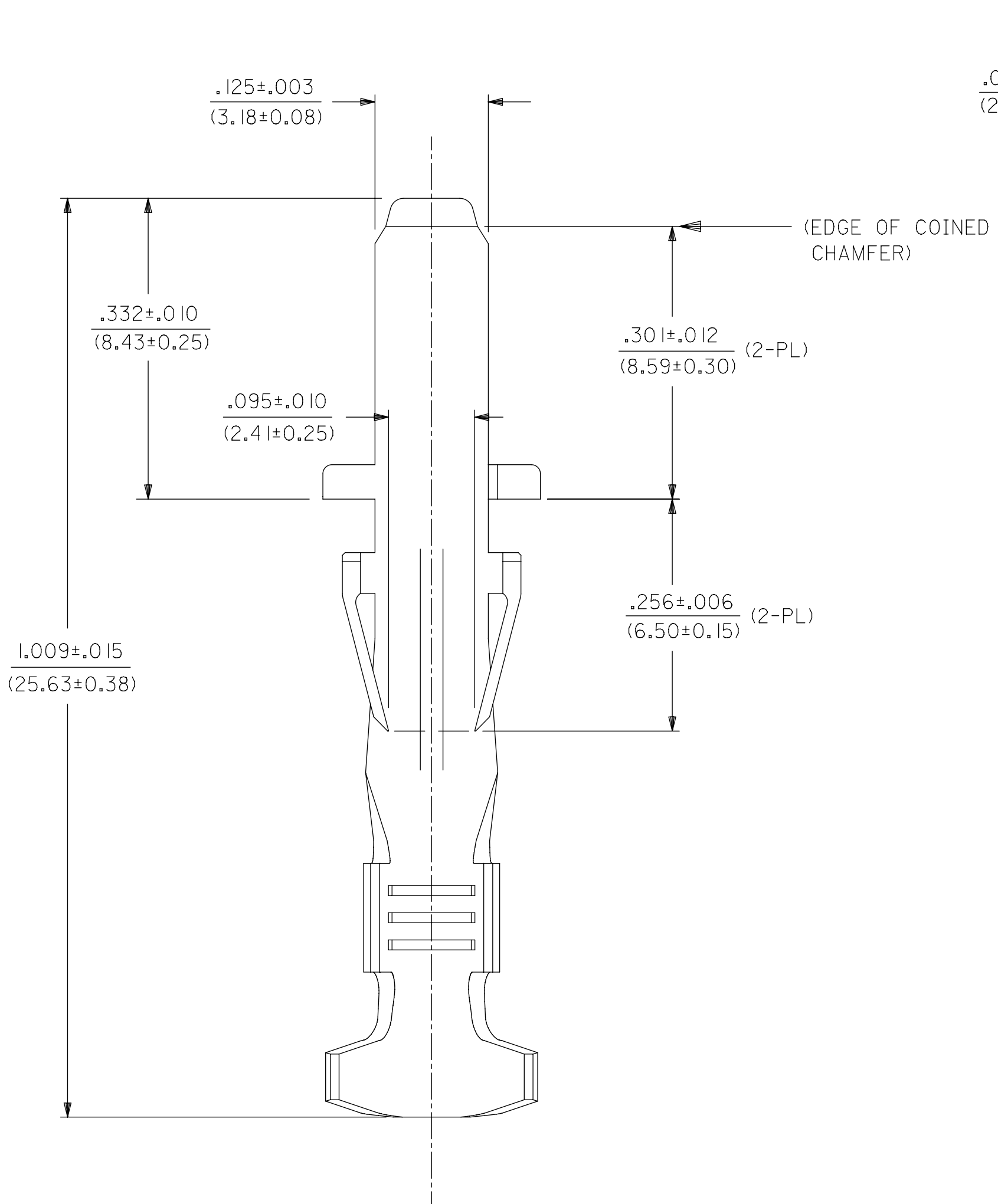
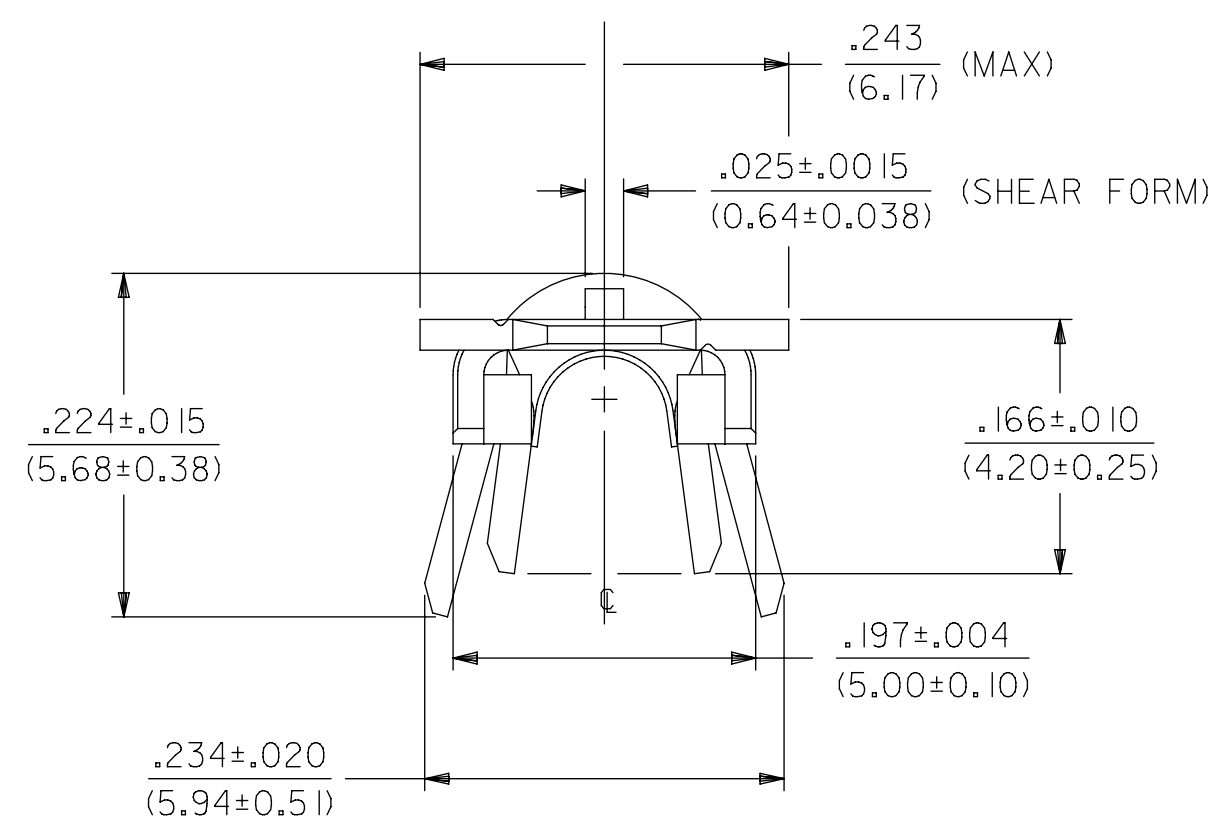


MATERIAL NUMBER	FINISH
43178-6001	999
43178-6002	H901



- NOTES:**
1. MATERIAL: BRASS
 2. FINISH:
999 - UNPLATED
H901 - 20 MICROINCH MIN. HOT TIN DIP
 3. PRODUCT SPECIFICATION: PS-44441-9999
 4. PACKAGING SPECIFICATION: 431780000-PK
 5. TERMINAL FOR USE IN 43680 SERIES HOUSINGS
 6. TERMINAL FOR USE WITH A SINGLE 14-16 AWG. UL TYPE 1007 OR 1015 WIRE.
 7. TERMINAL FOR USE WITH SABRE SERIES HOUSINGS AND APPLICATIONS REQUIRING TERMINALS TO MEET UL1950 SPACING REQUIREMENTS.
 8. PARTS CONFORM TO CLASS "B" REQUIREMENTS OF COSMETIC SPECIFICATIONS PS-45499-002

LARGE INSULATION CRIMP

THIS DRAWING CONTAINS INFORMATION THAT IS PROPRIETARY TO MOLEX ELECTRONIC TECHNOLOGIES, LLC AND SHOULD NOT BE USED WITHOUT WRITTEN PERMISSION										
SYMBOLS		DIMENSION UNITS		SCALE		CURRENT REV DESC: ADD NOTE				
∇ = 0	IN/MM	8:1		molex TERM, CRIMP TAB, UL 1950 .125/(3.18)X.020/(0.51) 14-16 AWG; SABRE PRODUCT CUSTOMER DRAWING DOCUMENT NUMBER: SD-43178-6XXX DOC TYPE: PSD DOC PART: 001 REVISION: A2 MATERIAL NUMBER: SEE TABLE CUSTOMER: SENSORMATIC SHEET NUMBER: 1 OF 1						
∇ = 0	GENERAL TOLERANCES (UNLESS SPECIFIED)		EC NO: 617584							
∇ = 0	4 PLACES	±	±							DRWN: JEHRISMAN 2019/04/02
∇ = 0	3 PLACES	±	± 0.01							CHK'D: MKIPPER 2019/06/13
∇ = 0	2 PLACES	± 0.25	± 0.014	APPR: FSMITH 2019/06/18						
∇ = 0	1 PLACE	± 0.35	±	INITIAL REVISION:						
∇ = 0	0 PLACES	±	±	DRWN: BW 2002/06/27						
∇ = 0	ANGULAR TOL	± 0.5°		APPR: FSMITH 2002/06/27						
∇ = 0	DRAFT WHERE APPLICABLE MUST REMAIN WITHIN DIMENSIONS		THIRD ANGLE PROJECTION		DRAWING SERIES		C-SIZE 43178			