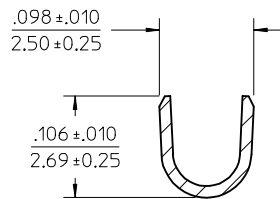


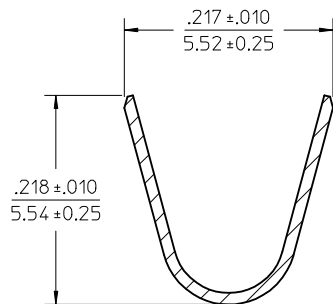
CARRIER STRIP PROGRESSION

NOTES:

1. MATERIAL: C26000 BRASS.
2. FINISH: 20 MICROINCH (0.5 MICROMETER) MINIMUM PREPLATED HOT TIN DIP.
3. PRODUCT SPECIFICATION: PS-43374-001.
4. PACKAGING: TERMINALS WOUND ON 24" REELS WITH PAPER INTERLEAF.
5. THIS TERMINAL FOR USE WITH 18-20 AWG STRANDED WIRE, UL 1015, 1056 OR SPT-3 STYLES, .100-.180 INSULATION DIAMETER. FOR FURTHER INFORMATION, REFER TO MOLEX APPLICATION TOOLING SPECIFICATION.
6. TERMINAL MATES TO .125/93.18 WIDE X .020/(0.51) THICK FLAT BLADE TERMINALS OR MOLEX 43178 SERIES CRIMP TERMINALS.

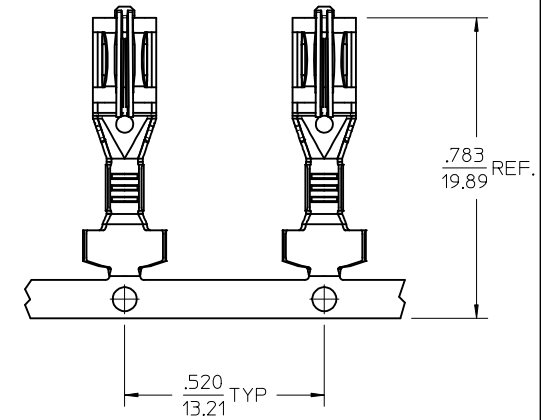
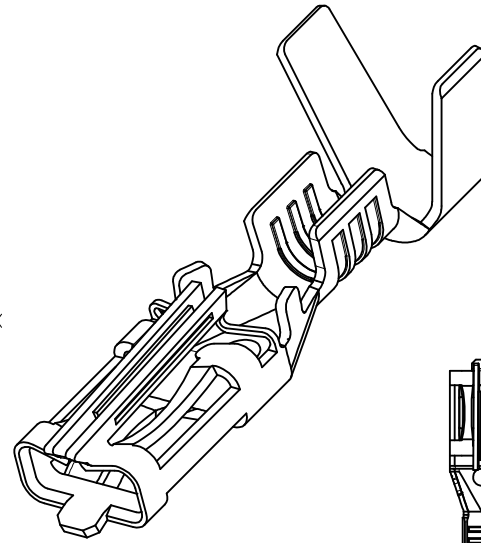
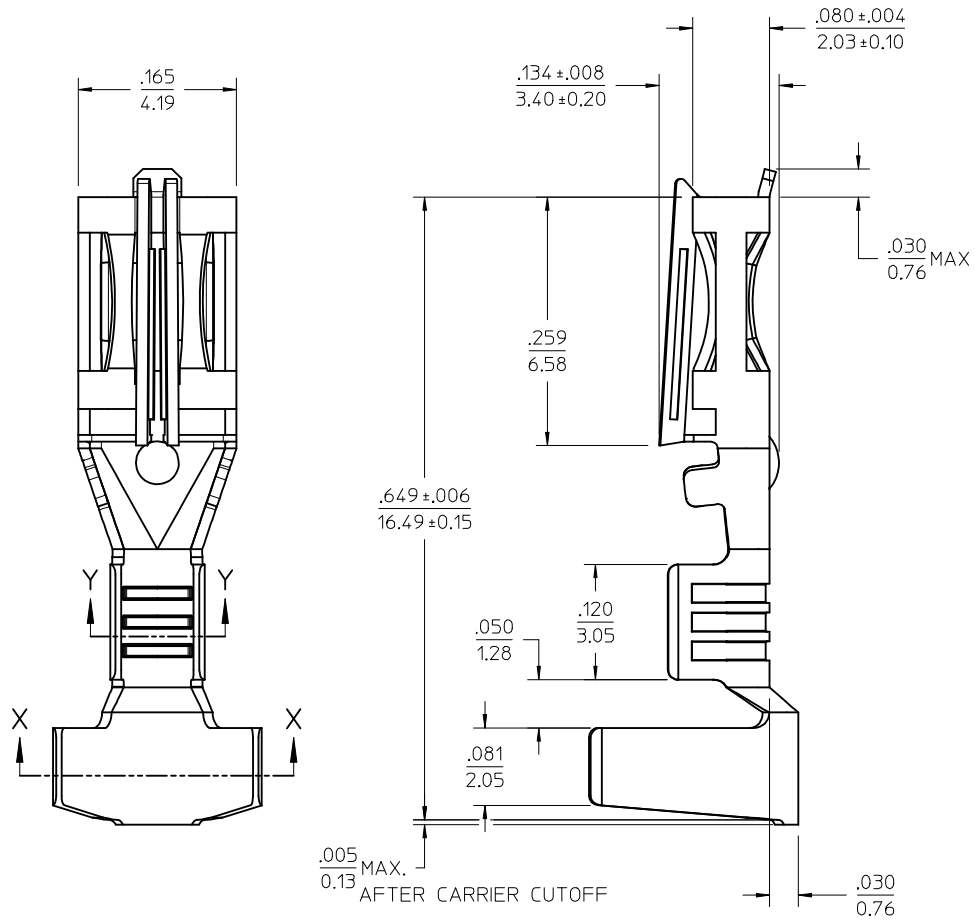


SECTION Y-Y



SECTION X-X

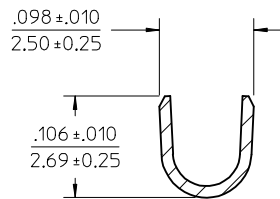
<b>CORRECT TOLERANCE</b> EC NO: UCP2014-5466 DRWN:JDOX 2014/07/09 CHKD:ANDERSON 2014/07/09 APPR:FSMLTH 2014/07/17	QUALITY SYMBOLS ▽=0 ▽=0 ▽=0	GENERAL TOLERANCES (UNLESS SPECIFIED)		DIMENSION STYLE	SCALE	DESIGN UNITS	THIRD ANGLE PROJECTION	
				IN/MM	10:1	INCH		
		mm	INCH	DRAWN BY	DATE	TITLE		
		4 PLACES ± ---	± ---	BWIRKUS	09-09-2009	SABRE 18-20AWG CRIMP FEM		
3 PLACES ± ---	± .010	CHECKED BY	DATE	.125 FL BLD TERM W/O TPA				
2 PLACES ± 0.25	± .014	BWIRKUS	09-09-2009	UL1015, 1056 OR SPT-3				
1 PLACE ± 0.35	± ---	APPROVED BY	DATE	<b>molex</b> DOCUMENT NO. SD-43374-311 SHEET NO. 1 OF 1				
0 PLACE ± ---	± ---	APATEL	09-09-2009					
ANGULAR ± ---°		MATERIAL NO. 433743001						
DRAFT WHERE APPLICABLE MUST REMAIN WITHIN DIMENSIONS				SIZE	THIS DRAWING CONTAINS INFORMATION THAT IS PROPRIETARY TO MOLEX INCORPORATED AND SHOULD NOT BE USED WITHOUT WRITTEN PERMISSION			
A3	REV							



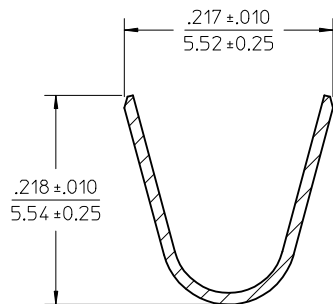
CARRIER STRIP PROGRESSION

NOTES:

1. MATERIAL: C26000 BRASS.
2. FINISH: 20 MICROINCH (0.5 MICROMETER) MINIMUM PREPLATED HOT TIN DIP.
3. PRODUCT SPECIFICATION: PS-43374-001.
4. PACKAGING: TERMINALS WOUND ON 24" REELS WITH PAPER INTERLEAF.
5. THIS TERMINAL FOR USE WITH 18-20 AWG STRANDED WIRE, UL 1015, 1056 OR SPT-3 STYLES, .100-.180 INSULATION DIAMETER. FOR FURTHER INFORMATION, REFER TO MOLEX APPLICATION TOOLING SPECIFICATION.
6. TERMINAL MATES TO .125/93.18 WIDE X .020/(0.51) THICK FLAT BLADE TERMINALS OR MOLEX 43178 SERIES CRIMP TERMINALS.



SECTION Y-Y



SECTION X-X

CORRECT TOLERANCE EC NO: UCP2014-5466 DRAWN: DFOX 2014/07/09 CHKD: BANDERSON 2014/07/09 APPR: FSMITH 2014/07/17	QUALITY SYMBOLS ▽=0 ▽=0 ▽=0	GENERAL TOLERANCES (UNLESS SPECIFIED)		DIMENSION STYLE IN/MM	SCALE 10:1	DESIGN UNITS INCH	THIRD ANGLE PROJECTION	
		4 PLACES ± --- ± ---	3 PLACES ± --- ± .010	DRAWN BY BWIRKUS	DATE 09-09-2009	TITLE SABRE 18-20AWG CRIMP FEM .125 FL BLD TERM W/O TPA UL1015, 1056 OR SPT-3		
		2 PLACES ± 0.25 ± .014	1 PLACE ± 0.35 ± ---	CHECKED BY BWIRKUS	DATE 09-09-2009			
		0 PLACE ± --- ± ---	ANGULAR ± --- °	APPROVED BY APATEL	DATE 09-09-2009			
A3	REV	DRAFT WHERE APPLICABLE MUST REMAIN WITHIN DIMENSIONS		SIZE C	THIS DRAWING CONTAINS INFORMATION THAT IS PROPRIETARY TO MOLEX INCORPORATED AND SHOULD NOT BE USED WITHOUT WRITTEN PERMISSION			