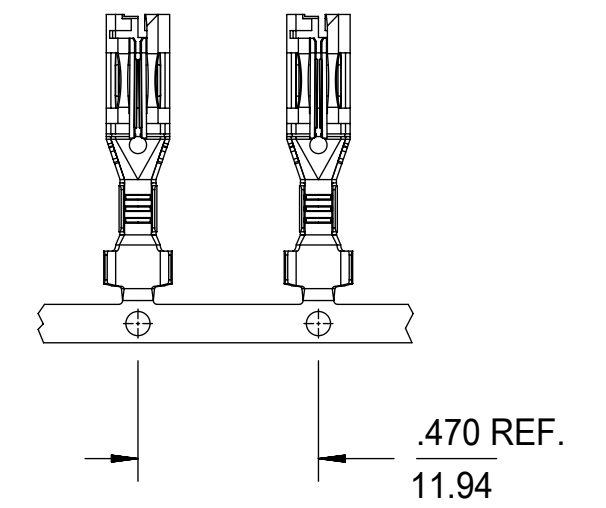
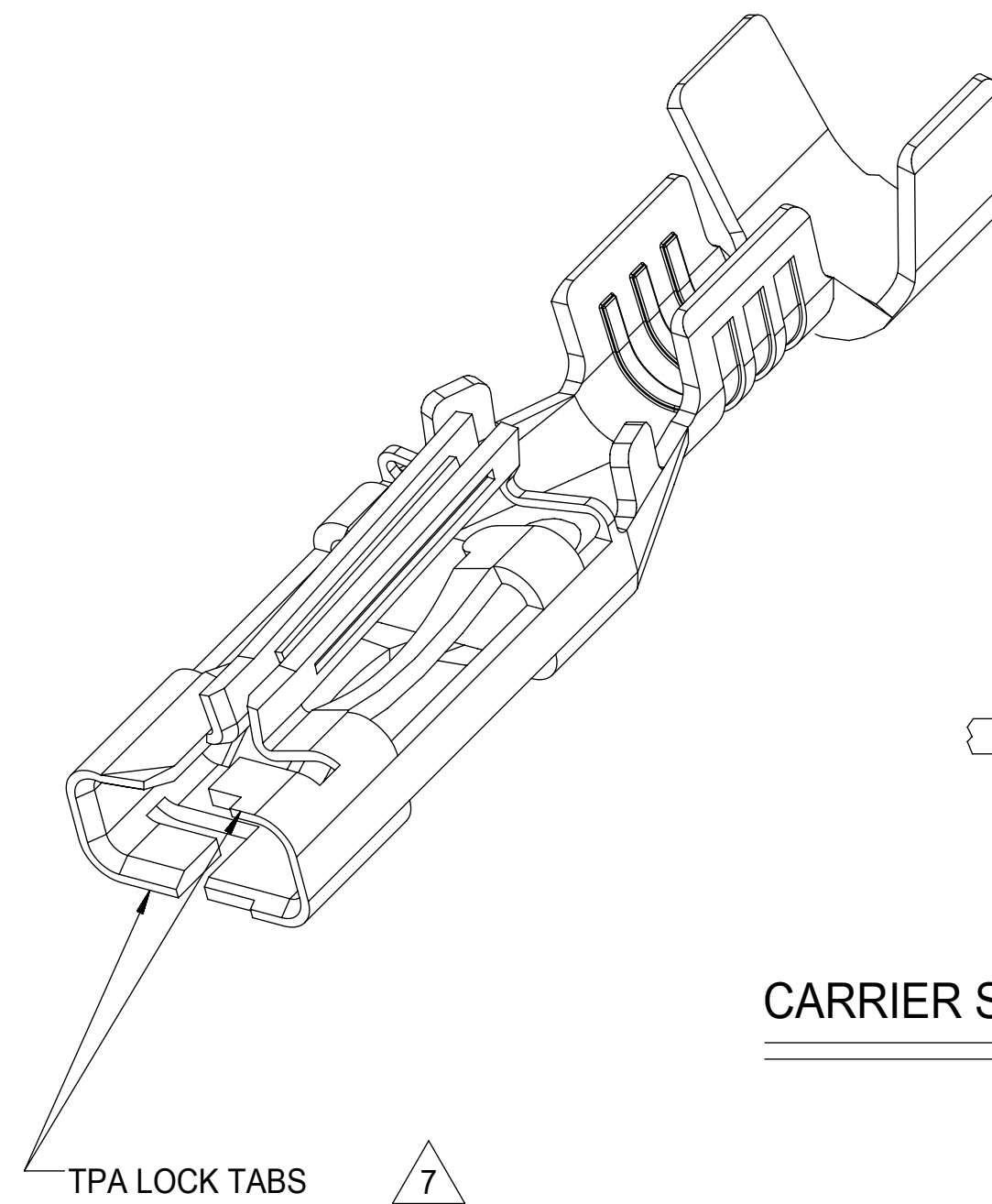


SECTION Z-Z
CONDUCTOR CRIMP

SECTION Y-Y
INSULATION CRIMP



CARRIER STRIP PROGRESSION

SCALE 2:1

NOTES:

1. MATERIAL: BRASS
2. FINISH: 20 MICRINCH / (0.5 MICROMETER) MIN. HOT TIN DIP OVERALL.
3. PRODUCT SPECIFICATION: PS-44441-001
4. PACKAGING: TERMINALS WOUND ON 24" REELS WITH PAPER INTERLEAF.
QTY: 4000/REEL PER 433750000-PK
5. THIS TERMINAL FOR USE IN 44441 SERIES HOUSNGS AND IS INTENDED FOR 18-20 AWG STRANDED WIRE; UL STYLE 1007 OR 1015, .112/(2.84) MAX. DIAMETER INSULATION.
6. TERMINAL MATES TO .125/(3.18) WIDE x .020/(0.51) THICK FLAT BLADE TERMINALS. MATING CRIMP TERMINAL: 43178 SERIES.
7. TERMINAL HAS TPA (TOTAL POSITIONING ASSURANCE) OPTIONAL ACTIVATION FEATURE, THAT WHEN ACTIVATED AND USED WITH MOLEX "SABRE" SERIES RECEPTACLE HOUSINGS, PROVIDES SECONDARY LOCK SYSTEM WHICH ENSURES AGAINST TERMINAL BACKOUTS.
8. PARTS CONFORM TO CLASS 'B' REQUIREMENTS OF PS-45499-002.

THIS DRAWING CONTAINS INFORMATION THAT IS PROPRIETARY TO MOLEX ELECTRONIC TECHNOLOGIES, LLC AND SHOULD NOT BE USED WITHOUT WRITTEN PERMISSION													
SYMBOLS		DIMENSION UNITS		SCALE		CURRENT REV DESC:							
∇ = 0	∇ = 0	IN/MM	1:1			molex TERMINAL, FEM. 18-20 AWG .125/(3.18) WIDE, W/TPA FOR UL 1007 OR 1015 WIRE							
∇ = 0	∇ = 0	GENERAL TOLERANCES (UNLESS SPECIFIED)								EC NO: 617584 DRWN: JEHRISMAN 2019/04/02 CHK'D: MKIPPER 2019/06/13 APPR: FSMITH 2019/06/18			
∇ = 0	∇ = 0									PRODUCT CUSTOMER DRAWING DOCUMENT NUMBER: SD-43375-301 DOC TYPE: PSD DOC PART: 001 REVISION: A1			
∇ = 0	∇ = 0	4 PLACES ±	±	MM	INCH	INITIAL REVISION:		MATERIAL NUMBER: 433752001 CUSTOMER: GENERAL MARKET SHEET NUMBER: 1 OF 1					
∇ = 0	∇ = 0	3 PLACES ±	± 0.01			DRWN: BWIRKUS 2008/12/18							
∇ = 0	∇ = 0	2 PLACES ±	± 0.014			APPR: APATEL 2008/12/18							
∇ = 0	∇ = 0	1 PLACE ±	± 0.35			THIRD ANGLE PROJECTION		DRAWING SERIES: C-SIZE 43375					
∇ = 0	∇ = 0	0 PLACES ±	±			DRAFT WHERE APPLICABLE MUST REMAIN WITHIN DIMENSIONS							
∇ = 0	∇ = 0					ANGULAR TOL ± 0.5 °							