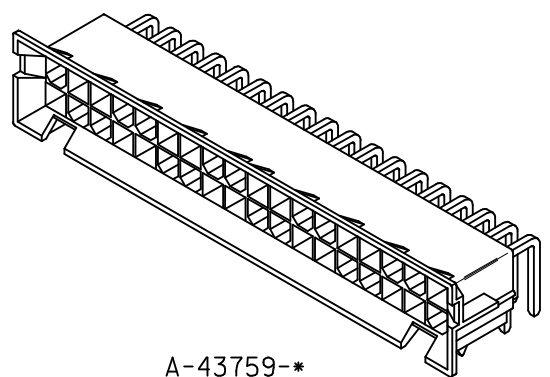


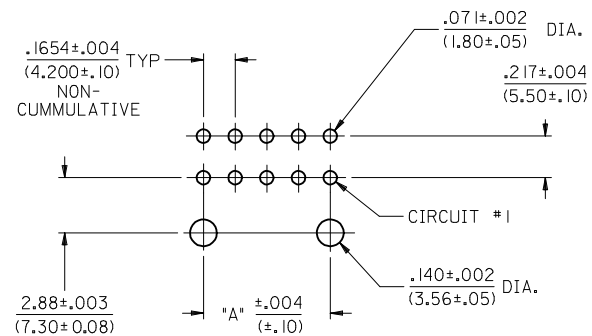
SEE NOTE 9

NOTES:

- 1) MATERIAL
HOUSING: "A" = NYLON 6/6, U.L. 94V-2 COLOR: NATURAL.
TERMINAL MATERIAL: BRASS ALLOY.
- 2) FINISH
A = .000100/(.00254) MIN. MATTE TIN OVER
.000050/(.00127) MIN. NICKEL.
B = .000030/(0.00076) MIN. SELECT GOLD AND
.000100/(0.00254) MIN. SELECT MATTE TIN
OVER .000050/(0.00127) MIN. NICKEL OVERALL
- 3) PRODUCT SPECIFICATION: PS-43759-0001
- 4) PACKAGING SPECIFICATION: PK-42404-002.
- 5) PART MATES WITH MINI-FIT JR. RECEPTACLE 43760, 44516
- 6) CONNECTOR ASSEMBLIES ARE NOT TO BE MATED
OR UNMATED WHILE CIRCUITS ARE LIVE.
- 7) CIRCUITS SHOWN PROVIDE THE "MATE-FIRST/BREAK-LAST" FEATURE.
- 8) DISCOLORATION ON THE BANDOLIEN CARRIER AREA OF THE PIN IS ACCEPTABLE.
- 9) PART CONFORMS TO CLASS "B" REQUIREMENTS OF COSMETIC SPECIFICATION PS-45499-002, EXCEPT CLASS "C" ON BOTH SIDE RIBS.
- 10) PART ALLOWS FOR .050/(1.27) MISALIGNMENT WITH MATING RECEPTACLE IN ANY DIRECTION. SEE MATING CONNECTOR DRAWINGS FOR SPECIFIC ALLOWANCES.
- 11) FORMING MARKS ARE ACCEPTABLE
- 12) PARTS ARE NOT DESIGNED FOR CURRENT SHARING



A-43759-*



RECOMMENDED HOLE LAYOUT FOR
.070/(1.78) MAX. THICK P.C. BOARD

CIRCUIT SIZE	DIM. "A"
36	2.811 (71.40)

CORRECT 7.3 TOL EC NO: UCP2017-2784 DRW: BAPPELDORN 2017/06/26 CHKD: J.BELL 2017/06/26 APPR: F.SMITH 2017/06/28	QUALITY SYMBOLS	GENERAL TOLERANCES (UNLESS SPECIFIED)	DIMENSION STYLE IN/MM	SCALE 2:1	DESIGN UNITS METRIC	THIRD ANGLE PROJECTION
	▽=0	mm INCH	DRAWN BY DATE	TITLE		
	▽=0	4 PLACES ± --- ± ---	MAB 5/20/96	SELECTIVELY-LOADED DUAL ROW, RT. ANG. HDR. (MAKE FIRST/BREAK LAST)		
	▽=0	3 PLACES ± --- ± .010	CHECKED BY DATE	MOLEX INCORPORATED		
		2 PLACES ± 0.25 ± .015	APPROVED BY DATE	DOCUMENT NO.		
		1 PLACE ± 0.38 ± ---	RAS 5/20/96	SDA-43759-*		
		ANGULAR ± 1/2°	MATERIAL NO.	SHEET NO.		
			SEE CHART	1 OF 2		
			DRAFT WHERE APPLICABLE MUST REMAIN WITHIN DIMENSIONS	THIS DRAWING CONTAINS INFORMATION THAT IS PROPRIETARY TO MOLEX INCORPORATED AND SHOULD NOT BE USED WITHOUT WRITTEN PERMISSION		

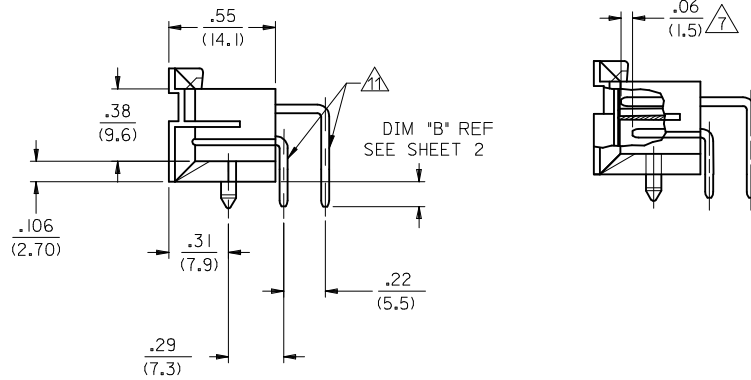
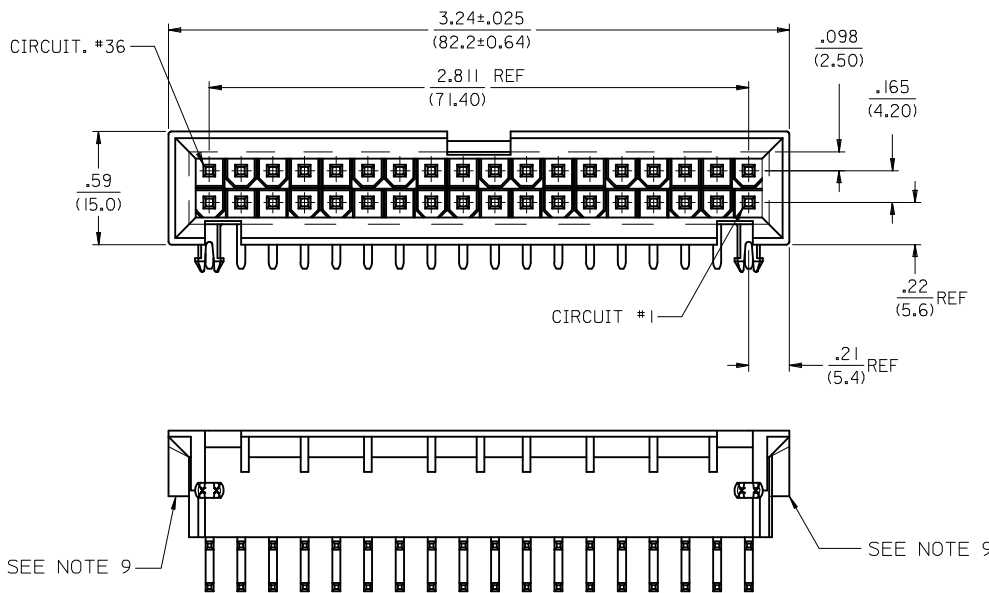
	13	12	11	10	9	8	7	6	5	4	3	2	1																										
ITEM NO.	CKT. SIZE	CHARACTERISTIC DESCRIPTION	LETTER INDICATES PIN PLATING AND LENGTH REQUIRED AT EACH CIRCUIT LOCATION. SEE NOTE 2 ON SHEET 1.																																				DIM "B"
			1	2	3	4	5	6	7	8	9	10	11	12	13	14	15	16	17	18	19	20	21	22	23	24	25	26	27	28	29	30	31	32	33	34	35	36	
J	43759-0001	36 36A*	AS	AS	AS	AS	AS	AS	AS	AS	AS	AS	AS	AS	AS	AS	AS	AS	AS	AS	AM	AM	AM	AM	AM	AM	AM	AM	AM	AM	AM	AM	AM	AM	AM	AM	AM	AM	.13 3.4
	43759-0004	36 36B*	BS	BS	BS	BS	BS	BS	BS	BS	BS	BS	BS	BS	BS	BS	BS	BS	BS	BM	BM	BM	BM	BM	BM	BM	BM	BM	BM	BM	BM	BM	BM	BM	BM	BM	BM	BM	.13 3.4

CHARACTERISTICS LEGEND:

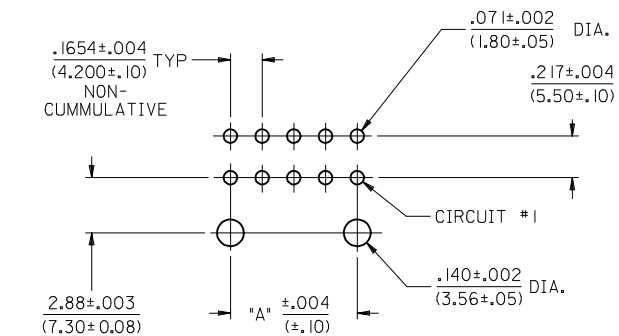
TERMINAL PLATING AND LENGTH

- *AS* = TIN, STANDARD LENGTH
- *BS* = GOLD, STANDARD LENGTH
- *AM* = TIN, MATE-FIRST/BREAK-LAST
- *BM* = GOLD, MATE-FIRST/BREAK-LAST

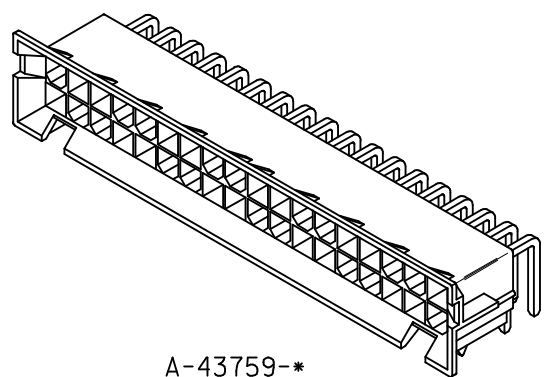
SEE SHEET 1 EC NO: UCP2017-2784 DRWN:APPELDORN 2017/06/26 CHKD:JBELL 2017/06/26 APPR:FSMITH 2017/06/28	DESCRIPTION □=0 □=0 □=0	QUALITY SYMBOLS		GENERAL TOLERANCES (UNLESS SPECIFIED)		DIMENSION STYLE IN/MM		SCALE 1:1	DESIGN UNITS METRIC	THIRD ANGLE PROJECTION	
				mm	INCH	DRAWN BY MAB	DATE 5/20/96	TITLE SELECTIVELY-LOADED DUAL ROW, RT. ANG. HDR. (MAKE FIRST/BREAK LAST)		MOLEX INCORPORATED	
				4 PLACES ± --- ± ---	3 PLACES ± --- ± .010	CHECKED BY RJF	DATE 5/20/96	APPROVED BY RAS			
				2 PLACES ± 0.25 ± .015	1 PLACE ± 0.38 ± ---	ANGULAR ±1/2°		MATERIAL NO. SEE CHART		DOCUMENT NO. SDA-43759-*	SHEET NO. 2 OF 2
DRAFT WHERE APPLICABLE MUST REMAIN WITHIN DIMENSIONS				SIZE C		THIS DRAWING CONTAINS INFORMATION THAT IS PROPRIETARY TO MOLEX INCORPORATED AND SHOULD NOT BE USED WITHOUT WRITTEN PERMISSION					



SEE NOTE 9



RECOMMENDED HOLE LAYOUT FOR
.070/(1.78) MAX. THICK P.C. BOARD



A-43759-*

NOTES:

- 1) MATERIAL
HOUSING: "A" = NYLON 6/6, U.L. 94V-2 COLOR: NATURAL.
TERMINAL MATERIAL: BRASS ALLOY.
- 2) FINISH
A = .000100/(.00254) MIN. MATTE TIN OVER
.000050/(.00127) MIN. NICKEL.
B = .000030/(0.00076) MIN. SELECT GOLD AND
.000100/(0.00254) MIN. SELECT MATTE TIN
OVER .000050/(0.00127) MIN. NICKEL OVERALL
- 3) PRODUCT SPECIFICATION: PS-43759-0001
- 4) PACKAGING SPECIFICATION: PK-42404-002.
- 5) PART MATES WITH MINI-FIT JR. RECEPTACLE 43760, 44516
- 6) CONNECTOR ASSEMBLIES ARE NOT TO BE MATED
OR UNMATED WHILE CIRCUITS ARE LIVE.
- 7) CIRCUITS SHOWN PROVIDE THE "MATE-FIRST/BREAK-LAST" FEATURE.
- 8) DISCOLORATION ON THE BANDOLIER CARRIER AREA OF THE PIN IS ACCEPTABLE.
- 9) PART CONFORMS TO CLASS "B" REQUIREMENTS OF COSMETIC SPECIFICATION PS-45499-002, EXCEPT CLASS "C" ON BOTH SIDE RIBS.
- 10) PART ALLOWS FOR .050/(1.27) MISALIGNMENT WITH MATING RECEPTACLE IN ANY DIRECTION. SEE MATING CONNECTOR DRAWINGS FOR SPECIFIC ALLOWANCES.
- 11) FORMING MARKS ARE ACCEPTABLE
- 12) PARTS ARE NOT DESIGNED FOR CURRENT SHARING

CIRCUIT SIZE	DIM. "A"
36	2.811 (71.40)

CORRECT 7.3 TOL EC NO: UCP2017-2784 DRW: BAPPELDORN 2017/06/26 CHKD: J.BELL 2017/06/26 APPR: F.SMITH 2017/06/28	QUALITY SYMBOLS	GENERAL TOLERANCES (UNLESS SPECIFIED)	DIMENSION STYLE IN/MM	SCALE 2:1	DESIGN UNITS METRIC	THIRD ANGLE PROJECTION
	▽=0	mm INCH	DRAWN BY DATE	MAB 5/20/96	SELECTIVELY-LOADED DUAL ROW, RT. ANG. HDR. (MAKE FIRST/BREAK LAST)	
	▽=0	4 PLACES ± --- ± ---	CHECKED BY DATE	RJF 5/20/96		
	▽=0	2 PLACES ± 0.25 ± .015	APPROVED BY DATE	RAS 5/20/96		
▽=0	1 PLACE ± 0.38 ± ---	MATERIAL NO. DOCUMENT NO.	SEE CHART	SDA-43759-*		
E2	DESCRIPTION	DRAFT WHERE APPLICABLE MUST REMAIN WITHIN DIMENSIONS	SIZE C	THIS DRAWING CONTAINS INFORMATION THAT IS PROPRIETARY TO MOLEX INCORPORATED AND SHOULD NOT BE USED WITHOUT WRITTEN PERMISSION		

SHEET NO. 1 OF 2

	13	12	11	10	9	8	7	6	5	4	3	2	1																											
ITEM NO.	CKT. SIZE	CHARACTERISTIC DESCRIPTION	LETTER INDICATES PIN PLATING AND LENGTH REQUIRED AT EACH CIRCUIT LOCATION. SEE NOTE 2 ON SHEET 1.																																				DIM "B"	
			1	2	3	4	5	6	7	8	9	10	11	12	13	14	15	16	17	18	19	20	21	22	23	24	25	26	27	28	29	30	31	32	33	34	35	36		
J	43759-0001	36 36A*	AS	AS	AS	AS	AS	AS	AS	AS	AS	AS	AS	AS	AS	AS	AS	AS	AS	AS	AS	AM	AM	AM	AM	AM	AM	AM	AM	AM	AM	AM	AM	AM	AM	AM	AM	AM	AM	.13 3.4
	43759-0004	36 36B*	BS	BS	BS	BS	BS	BS	BS	BS	BS	BS	BS	BS	BS	BS	BS	BS	BS	BS	BM	BM	BM	BM	BM	BM	BM	BM	BM	BM	BM	BM	BM	BM	BM	BM	BM	BM	BM	.13 3.4

CHARACTERISTICS LEGEND:

TERMINAL PLATING AND LENGTH

- *AS* = TIN, STANDARD LENGTH
- *BS* = GOLD, STANDARD LENGTH
- *AM* = TIN, MATE-FIRST/BREAK-LAST
- *BM* = GOLD, MATE-FIRST/BREAK-LAST

SEE SHEET 1 EC NO: UCP2017-2784 DRWN:APPELDORN 2017/06/26 CHKD:JBELL 2017/06/26 APPR:FSMITH 2017/06/28	QUALITY SYMBOLS	GENERAL TOLERANCES (UNLESS SPECIFIED)	DIMENSION STYLE	SCALE	DESIGN UNITS	THIRD ANGLE PROJECTION
		mm	IN/MM	1:1	METRIC	
		INCH	IN/MM	DRAWN BY	DATE	
		4 PLACES ± --- ± ---	INCH	MAB	5/20/96	
		3 PLACES ± --- ± .010	CHECKED BY	DATE	SELECTIVELY-LOADED DUAL ROW, RT. ANG. HDR. (MAKE FIRST/BREAK LAST)	
		2 PLACES ± 0.25 ± .015	RJF	5/20/96		
		1 PLACE ± 0.38 ± ---	APPROVED BY	DATE	MOLEX INCORPORATED	
		ANGULAR ±1/2°	RAS	5/20/96		
		DRAFT WHERE APPLICABLE MUST REMAIN WITHIN DIMENSIONS	MATERIAL NO.	DOCUMENT NO.	SDA-43759-*	
			SIZE	THIS DRAWING CONTAINS INFORMATION THAT IS PROPRIETARY TO MOLEX INCORPORATED AND SHOULD NOT BE USED WITHOUT WRITTEN PERMISSION		SHEET NO. 2 OF 2