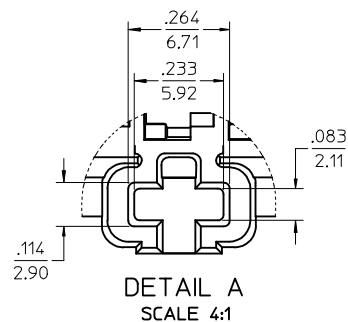
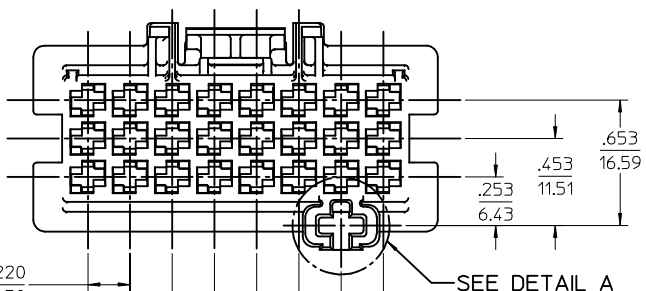
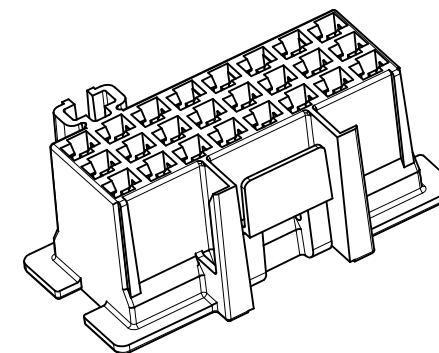
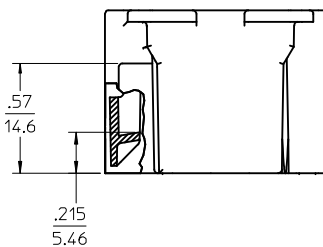
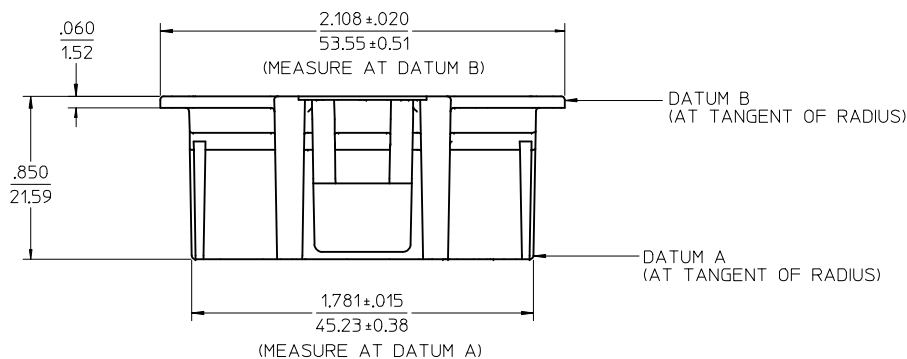
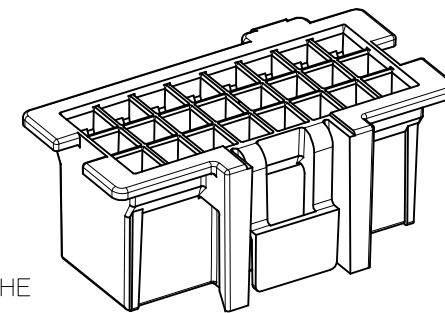
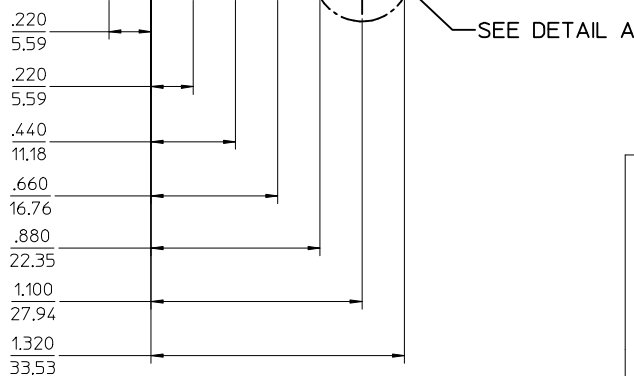


NOTES:

1. MATERIAL: 6/6 NYLON, UL94V-2, COLOR: BLACK
2. FINISH: NOT APPLICABLE
3. PRODUCT SPECIFICATION: PSX-44441-9999
4. USE TERMINALS: 43375-\*
5. SEE AS-43796-001 FOR THE DESCRIPTION OF THE MATING INTERFACE.



43796-2024



|  |                                |   |                       |   |                   |  |                           |
|--|--------------------------------|---|-----------------------|---|-------------------|--|---------------------------|
| EC NO: UCP2004-1310<br>DRWN:MKAMARA/2004/01/20<br>CHKD:MKAMARA/2004/01/20<br>APPR:BWIRKUS 2004/01/20 | QUALITY SYMBOLS<br>▽-0<br>▽C-0 | GENERAL TOLERANCES (UNLESS SPECIFIED)                   |                       | SCALE 2:1   | DESIGN UNITS INCH | THIRD ANGLE PROJECTION   | REVISE ON CAD ONLY        |
|  |                                | mm  | INCH                  | DIMENSION STYLE IN/MM   |                   | TITLE  |                           |
| B2   | DESCRIPTION                    | 4 PLACES ± --- ± ---                                    | 3 PLACES ± --- ± .007 | DRAWN BY TGREGORI   | DATE 2003/03/13   | CONNECTOR HOUSING<br>24 - CIRCUITS, W/ FLANGE<br>TIMER APPLICATION |                           |
|  |                                | 2 PLACES ± 0.18 ± .010                                  | 1 PLACE ± 0.25 ± ---  | CHECKED BY BWIRKUS  | DATE 2003/03/14   | MOLEX INCORPORATED   |                           |
|  |                                | ANGULAR ± 1/2°  |                       | APPROVED BY JCOMERCI  | DATE 2003/03/17   | MATERIAL NO. 43796-2024  | DOCUMENT NO. SD-43796-002 |
|  |                                | DRAFT WHERE APPLICABLE<br>MUST REMAIN WITHIN DIMENSIONS |                       | THIS DRAWING CONTAINS INFORMATION THAT IS PROPRIETARY TO MOLEX INCORPORATED AND SHOULD NOT BE USED WITHOUT WRITTEN PERMISSION |                   | SHEET NO. 1 OF 1   |                           |